

**50Hz**



# **GENERAL CATALOGUE**

**Edition 2023**

[www.pentax-pumps.it](http://www.pentax-pumps.it)

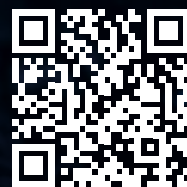


**Where there's water  
there's Pentax**



**PENTAX s.p.a.**

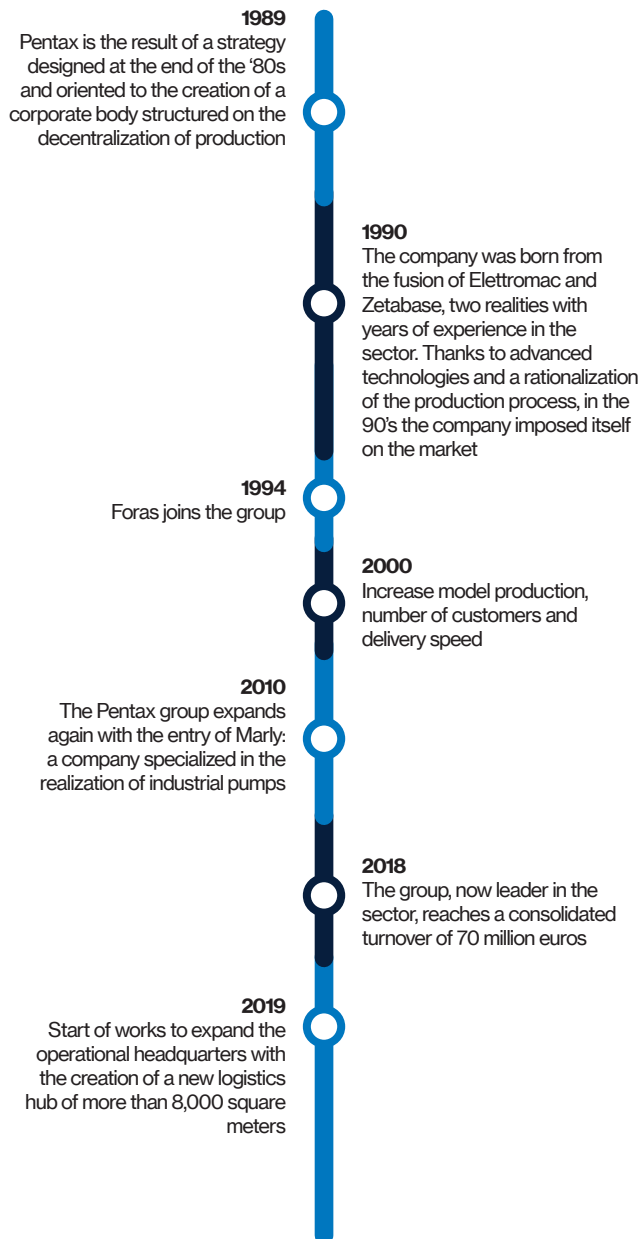
Viale dell'Industria, 1  
37040 Veronella (VR) - Italia  
Tel. +39 0442 489500  
Fax +39 0442 489510  
com@pentax-pumps.it  
[www.pentax-pumps.it](http://www.pentax-pumps.it)





# HISTORY

For many years **Pentax** has held a large share of the world market for motorized pumps. The sales department is constantly working to better serve existing customers and to open up new markets. This is possible thanks to the wide range of products available which allows to cover most of the applications in the pump field. Special attention is also paid to market surveys, so that any new requirements can be immediately transferred to the research and development department: the best way to properly develop and forecast future scenarios.

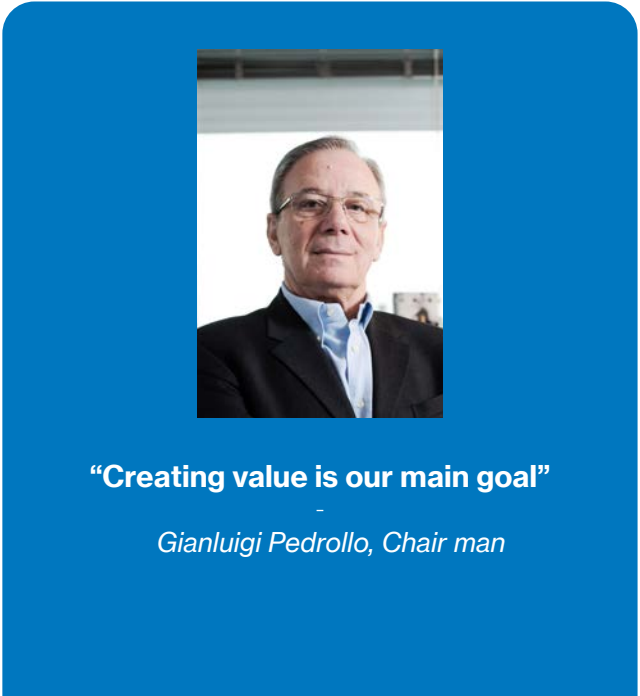


# MISSION

After more than **20 years of activity** we can finally trace the guidelines that have governed and directed the industrial development of **Pentax Industries SpA**. Actions and processes that have intersected with the obvious aim of creating value, benefits to be redistributed to the various components of the production and distribution process.

A rational allocation of available resources, together with a refined program of production decentralization have allowed the company to adapt to changing market conditions, each time with extreme rapidity.

Maximum attention to the markets, therefore, with the commitment to respond in real time to the specific needs of the different markets, paying particular attention to technological progress. All this in the perspective of a careful policy for **customer satisfaction**.



**“Creating value is our main goal”**

*Gianluigi Pedrollo, Chair man*

# VALUES



## Reliability

Choosing Pentax means choosing safety at every stage

## Quality

Where there is control, there is reliability: the basis for success

## Speed

Impeccable delivery time

## Flexibility

Pentax studies each case thoroughly, identifies the best solution and then takes action with security

## Variety

The best service: a wide range of Pentax products, one for every need



# OFFICIAL JOURNAL OF THE EUROPEAN UNION

## Regulation UE 547/2012

### ANNEX II

«The benchmark for most efficient water pumps is  $MEI \geq 0,70$ ».

«The efficiency of a pump with a trimmed impeller is usually lower than that of a pump with the full impeller diameter. The trimming of the impeller will adapt the pump to a fixed duty point, leading to reduced energy consumption. The minimum efficiency index (MEI) is based on the full impeller diameter».

«The operation of this water pump with variable duty points may be more efficient and economic when controlled, for example, by the use of a variable speed drive that matches the pump duty to the system».

Information on benchmark efficiency is available at:

[www.europump.org/efficiencycharts](http://www.europump.org/efficiencycharts).





 **Pentax**  
Industries





# INDEX

## PERIPHERALS

17



PM

20



CP

22



MD

24

## SELF-PRIMING

27



CAM

30



INOX

34



ULTRA A

37



ULTRA SA

39



AP

41



CAB

43





MP/A 45

---



MPX 47

**THREADED CENTRIFUGAL 51**



CM 54

---



MB 59

---



CB 61

---



CR 66

---



CS 69

---



CH 76

**CENTRIFUGAL FLANGED 81**



CM 89

---



CMG-CMGX 90

---



CA/CAX - 4CA/4CAX 91

---



CMS 131

**MULTISTAGE HORIZONTAL 139**



ULTRA 142

---



ULTRA S 147

**MULTISTAGE VERTICAL 155**



ULTRA V/L 158

---



ULTRA LG 159

---

ULTRA SV/SL/SLX 167

---

ULTRA SLG/SLXG 174

---



ULTRA HX 179

---

ULTRA HS/HX 185

---

**IE3 MOTORS**

**203**



80-132

204



160-355

205

**BOOSTER SET**

**213**



AQUADOMUS

214



SUPERDOMUS

217



SUPERDOMUS+VSD

218



BOOSTER SET ULTRA

219



BOOSTER SET ULTRA+VSD

220

**DRAINAGE AND SEWAGE**

**221**












DP/DPV

224



DPM

227

	DH	229
<hr/>		
	DC	231
<hr/>		
	DB	237
<hr/>		
	DM	239
<hr/>		
	DM4	244
<hr/>		
	DTR 101	248
<hr/>		
	DTR/DTRT	250
<hr/>		
	DG	255
<hr/>		
	DX	258
<hr/>		
	DV	260
<hr/>		



DV4

264

**DEEPWELL BOREHOLE 269**



5PES

272



4S/A

274



4L line

281



6L line

292



6-8-10LMG lines

302



6LR & 6LM lines

332



8LR & 8LM lines

365



10-12LM & E14 lines

402

**DEEPWELL BOREHOLE MOTORS 435**



4MPE/6MPE

437



4MPC/6MPC

440



6R/8R/10R

444



PTR12-PTR14

450

## SWIMMING POOL 453



POOL1

454



POOL1 EASY

456



POOL2

458



POOL2 EASY

460



POOL2-I

462



POOL2-IM

464



POOL3

466



POOL4 468

---



V-POOL4 470

---



POOL4-I 472

---



POOL4-IM 474

---



POOL5 476

---



POOL6 478

---



DOMESTIC FILTER 480

---



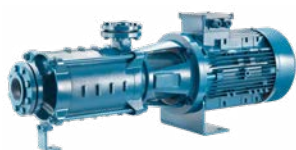
FILTRATION KIT 480

**INDUSTRIAL LINE 481**



MSV - 4MSV 483

---



MSH - 4MSH 491

---



HP SERIES 499



PSC 502



VP SERIES 505

## ACCESSORIES 509



ELECTRONIC FLOW CONTROL 510



VARIABLE SPEED DRIVE 511



PROTECTION/CONTROL PANEL 513



TANKS 518



MEMBRANES 518



PRESSURE SWITCHES 519



PRESSURE GAUGES 519





FLEXIBLE HOSES 519



CONNECTORS 520



VALVES 520



FLOAT SWITCHES 520



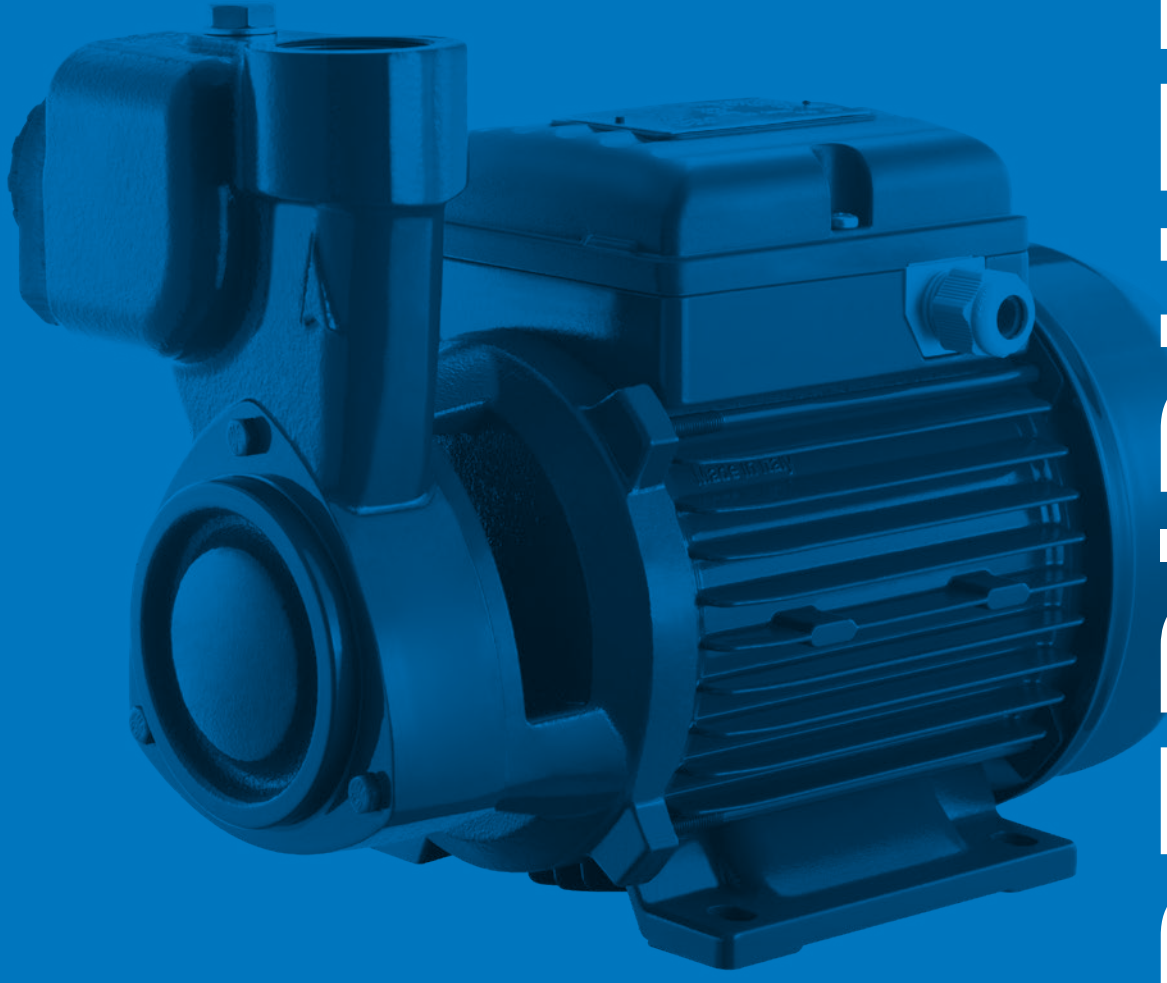
CABLES JOINTS 521



LEVEL PROBES 521

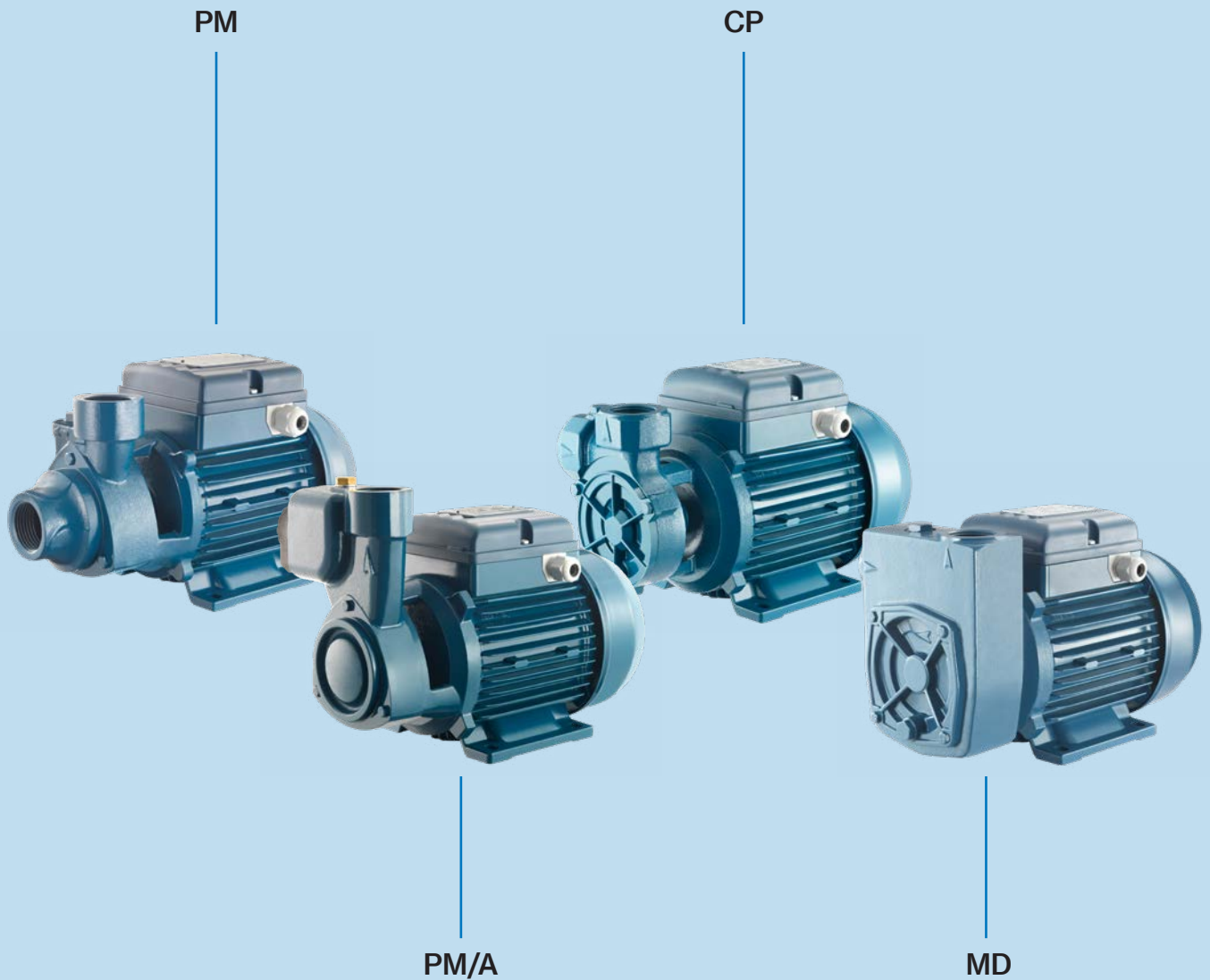
**GENERAL SALES CONDITIONS 522**





# PERIPHERALS

# PERIPHERAL PUMPS

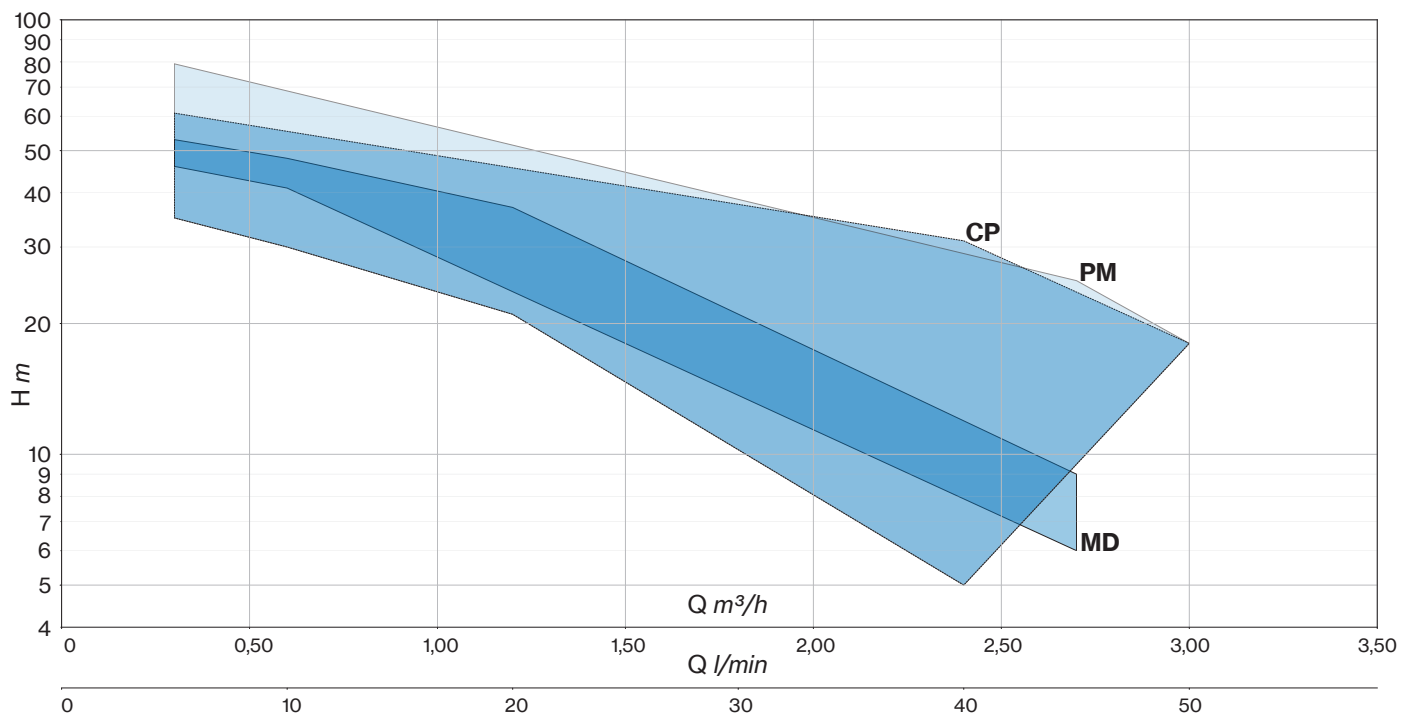


Range of peripheral and liquid ring type positive displacement pumps; they are characterized by the high ratio between the performances offered and the power required.

## **Applications:**

- Small domestic installations
- Boiler feeding
- For washing
- Pressurization of industrial plants
- Small autoclaves
- Transfer of liquids

# PERIPHERAL PUMPS





PM

PM A

Peripheral positive displacement pumps with front suction (PM) and side suction with self-priming system (PM A) for small household systems and simple industrial applications; characterised by a considerable ratio between performance and required output.

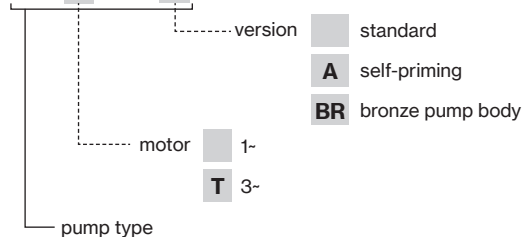
### Construction features

<b>Pump body</b>	cast iron, bronze (45BR)
<b>Motor bracket</b>	cast iron, cast iron or bronze (45BR)
<b>Impeller</b>	brass
<b>Mechanical seal</b>	ceramic-graphite-NBR
<b>Motor shaft</b>	stainless steel AISI 416
<b>Liquid temperature</b>	0 - 90 °C
<b>Operating pressure</b>	max 6 bar (45) max 8 bar (65, 80) max 9 bar (90)

### Motor

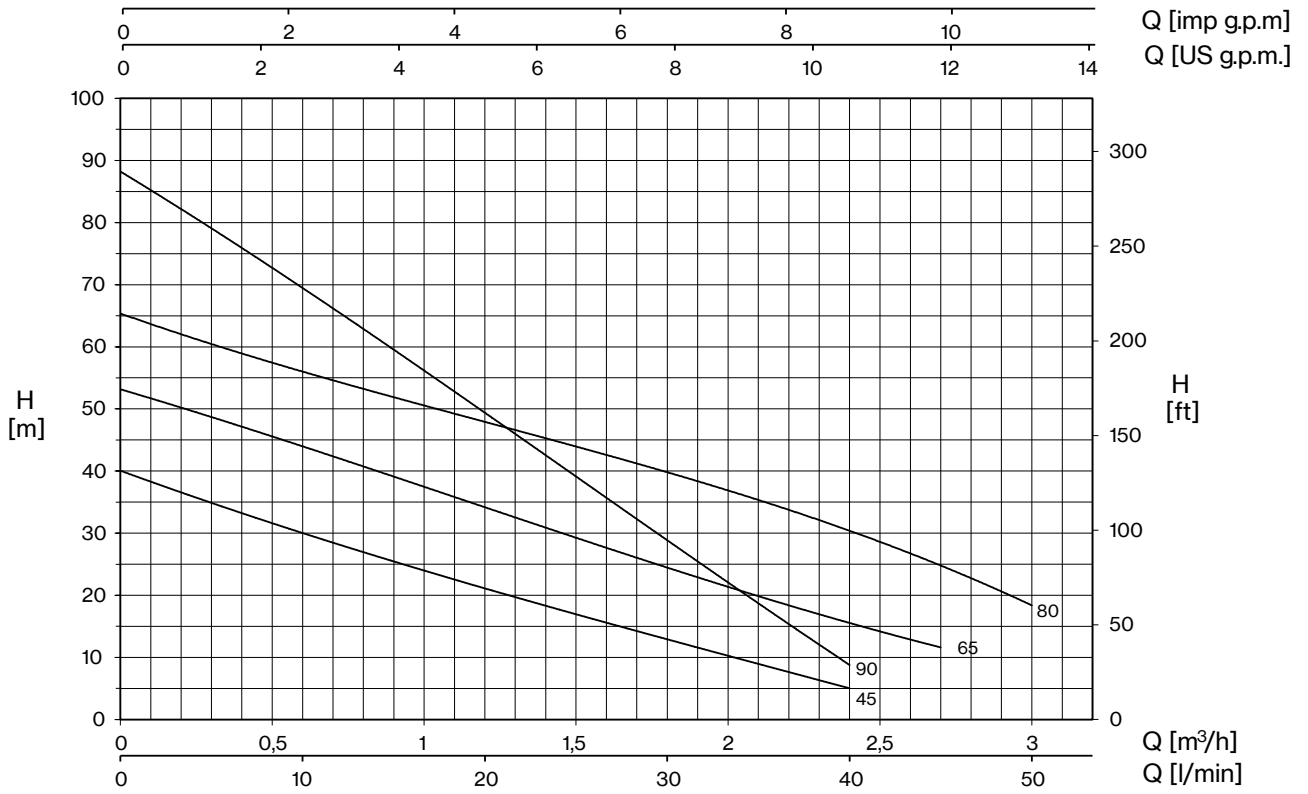
	3~ 230/400V - 50Hz
<b>2 Poles induction motor</b>	1~ 230V - 50Hz (with thermal protection)
<b>Insulation class</b>	F
<b>Protection degree</b>	IPX4

**PMT 45 A**

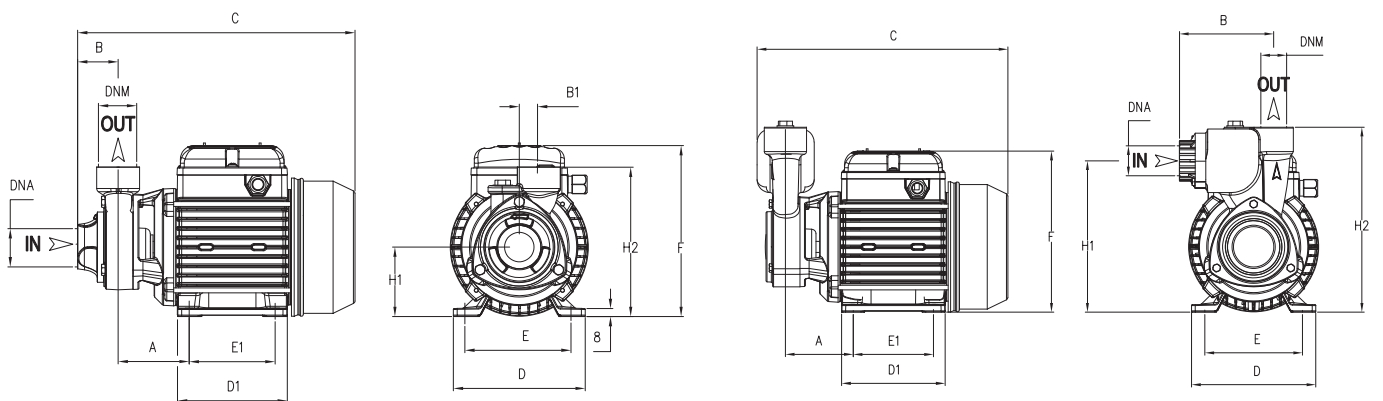


TYPE	LOTS			
	TRUCK		CONTAINER	
	PALLET (cm)	N° pumps	PALLET (cm)	N° pumps
<b>PM 45(BR)</b>	85×110×170	198	85×110×190	220
	80×120×170	207	80×120×190	230
<b>PM 45A</b>			85×110×190	135
<b>PM 65A</b>	80×110×170	105	85×120×170	136
<b>PM 80-90</b>			85×120×170	136
<b>PM 65</b>	80×120×160	171	80×120×190	190
	85×100×160	180	85×100×190	200
<b>PM 80A</b>	80×120×145	102	80×120×190	136





TYPE		P2		P1 (kW)		AMPERE		Q (m³/h - l/min)							
1~	3~	HP	kW	1~	3~	1~		0	0,3	0,6	1,2	1,8	2,4	2,7	3
						1x230 V 50 Hz	3x400 V 50 Hz	0	5	10	20	30	40	45	50
								H (m)							
PM 45	PMT 45	0,5	0,37	0,5	0,5	2,3	1,0	40,0	35,0	30,0	21,0	13,0	5,0		
PM 45BR	PMT 45BR	0,5	0,37	0,5	0,5	2,3	1,0	40,0	35,0	30,0	21,0	13,0	5,0		
PM 45A	PMT 45A	0,5	0,37	0,5	0,5	2,3	1,0	40,0	35,0	30,0	21,0	13,0	5,0		
PM 65	PMT 65	0,7	0,5	0,9	0,9	4,0	1,7	53,1	48,8	44,1	33,8	24,7	15,5	11,6	
PM 65A	PMT 65A	0,7	0,5	0,9	0,9	4,0	1,7	53,1	48,8	44,1	33,8	24,7	15,5	11,6	
PM 80	PMT 80	1	0,74	1,1	1,1	5,2	2,0	65,0	61,0	56,0	48,0	39,0	31,0	25,1	18,0
PM 80A	PMT 80A	1	0,74	1,1	1,1	5,2	2,0	65,0	61,0	56,0	48,0	39,0	31,0	25,1	18,0
PM 90	PMT 90	1	0,74	1,2	1,1	5,6	2,0	88,2	79,2	69,3	49,5	28,8	8,8		



TYPE	DIMENSIONS (mm)													M			Kg
	A	B	B1	C	D	D1	E	E1	F	H1	H2	DNA	DNM	I	L	M	
PM 45	63	50	20	260	120	101	100	80	158	63	143	1" G	1" G	265	150	175	6,5
PM 45BR	63	50	20	260	120	101	100	80	158	63	143			265	150	175	7
PM 45A	63	89	20	240	120	101	100	80	158	150	184			300	170	195	7,5
PM 65	70	56	20	271	120	101	100	80	158	63	152,2			285	150	180	8,5
PM 65A	71,5	101	10	248	120	101	100	80	158	157	193			300	170	195	9
PM 80	71,5	50	20	294	135	112	112	89	172	71	160			300	170	195	10,5
PM 80A	71,5	101	10	271	135	112	112	89	172	165	201	290	170	230	11		
PM 90	74,5	50	19	286	135	112	112	89	172	71	158	310	185	195	11		





Peripheral positive displacement pumps with side suction for small household systems and simple industrial applications; characterised by a considerable ratio between performance and required power; frontal brass insert avoiding the risk of blockage.

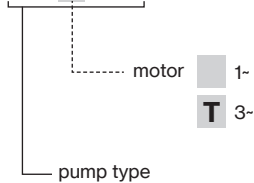
### Construction features

<b>Pump body</b>	cast iron and brass
<b>Motor bracket</b>	cast iron
<b>Impeller</b>	brass
<b>Mechanical seal</b>	ceramic-graphite-NBR
<b>Motor shaft</b>	stainless steel AISI 416
<b>Liquid temperature</b>	0 - 90 °C
<b>Operating pressure</b>	max 8 bar

### Motor

	3~ 230/400V - 50Hz
<b>2 Poles induction motor</b>	1~ 230V - 50Hz (with thermal protection)
<b>Insulation class</b>	F
<b>Protection degree</b>	IPX4

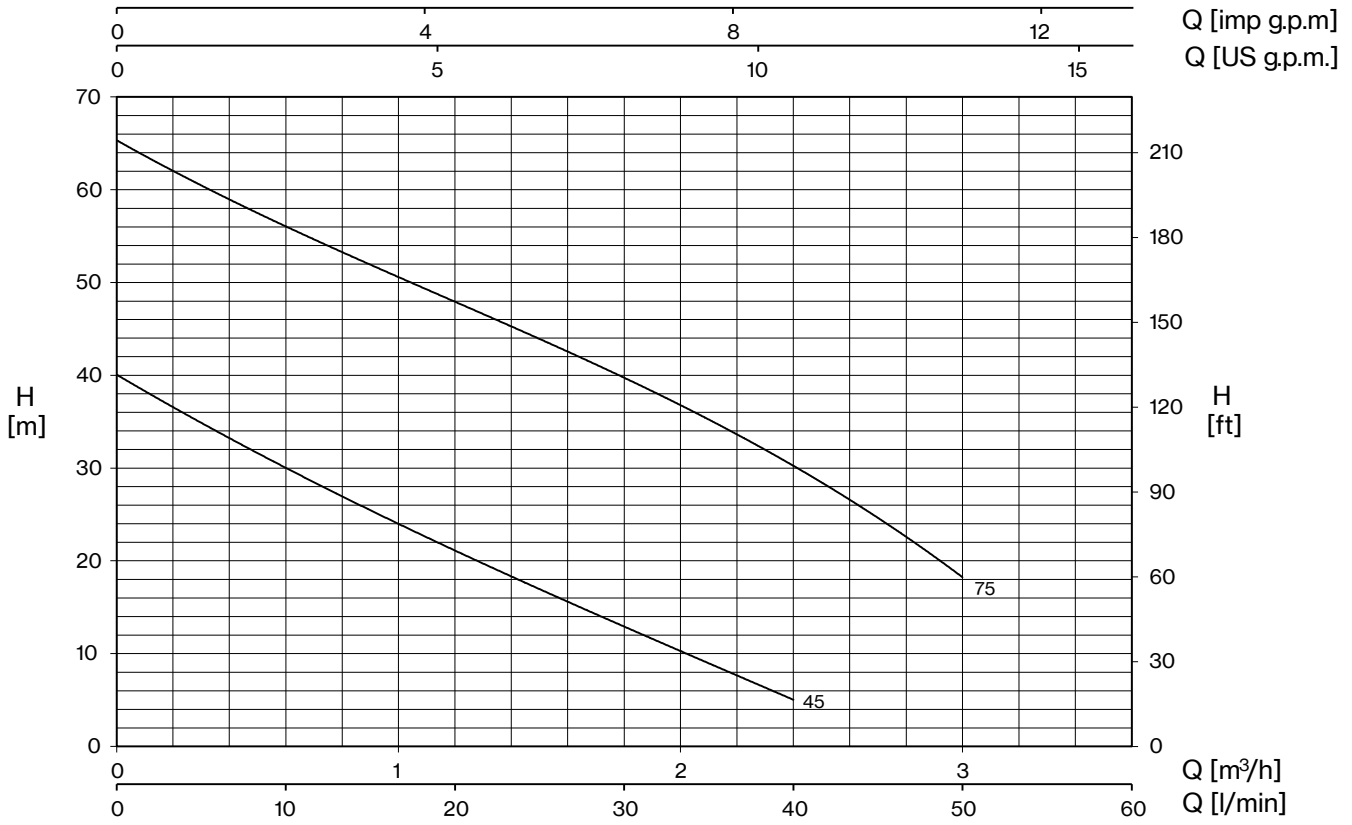
### CPT 45



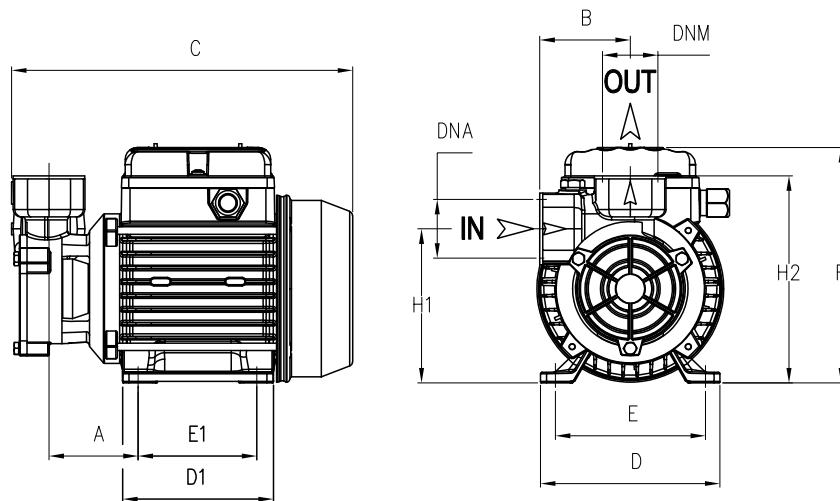
TYPE	LOTS			
	TRUCK		CONTAINER	
	PALLET (cm)	N° pumps	PALLET (cm)	N° pumps
CP 45	85×110×170	207	85×110×190	220
	80×120×170	198	80×120×190	230
CP 75	85×110×170	105	85×110×190	135
			80×120×170	136







TYPE		P2		P1 (kW)		AMPERE		Q (m³/h - l/min)					
1~	3~	HP	kW	1~	3~	1~ 1x230 V 50 Hz	3~ 3x400 V 50 Hz	0,3	0,6	1,2	1,8	2,4	3
								5	10	20	30	40	50
								H (m)					
CP 45	CPT 45	0,5	0,37	0,5	0,5	2,3	1,0	35,0	30,0	21,0	13,0	5,0	
CP 75	CPT 75	1	0,74	1,11	1,13	5,2	2,0	61,0	56,0	48,0	39,0	31,0	18,0



TYPE	DIMENSIONS (mm)															 Kg
	A	B	C	D	D1	E	E1	F	H1	H2	DNA	DNM	I	L	M	
CP 45	67	60	235	120	101	97	80	165	105	140	1" G	1" G	265	145	165	5,7
CP 75	71,5	60	263	135	112	112	89	172	124	156	1" G	1" G	310	185	195	9,2



Volumetric pumps with liquid ring impeller that gives considerable suction power. Particularly suitable for liquid transfer (including volatile liquids). The pumps have a frontal brass cover thus avoiding the risk of blockage.

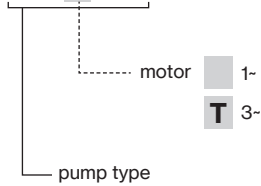
### Construction features

<b>Pump body</b>	cast iron and brass
<b>Motor bracket</b>	cast iron
<b>Impeller</b>	brass
<b>Mechanical seal</b>	ceramic-graphite-NBR
<b>Motor shaft</b>	stainless steel AISI 416
<b>Liquid temperature</b>	0 - 90 °C
<b>Operating pressure</b>	max 8 bar

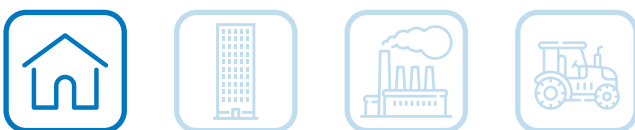
### Motor

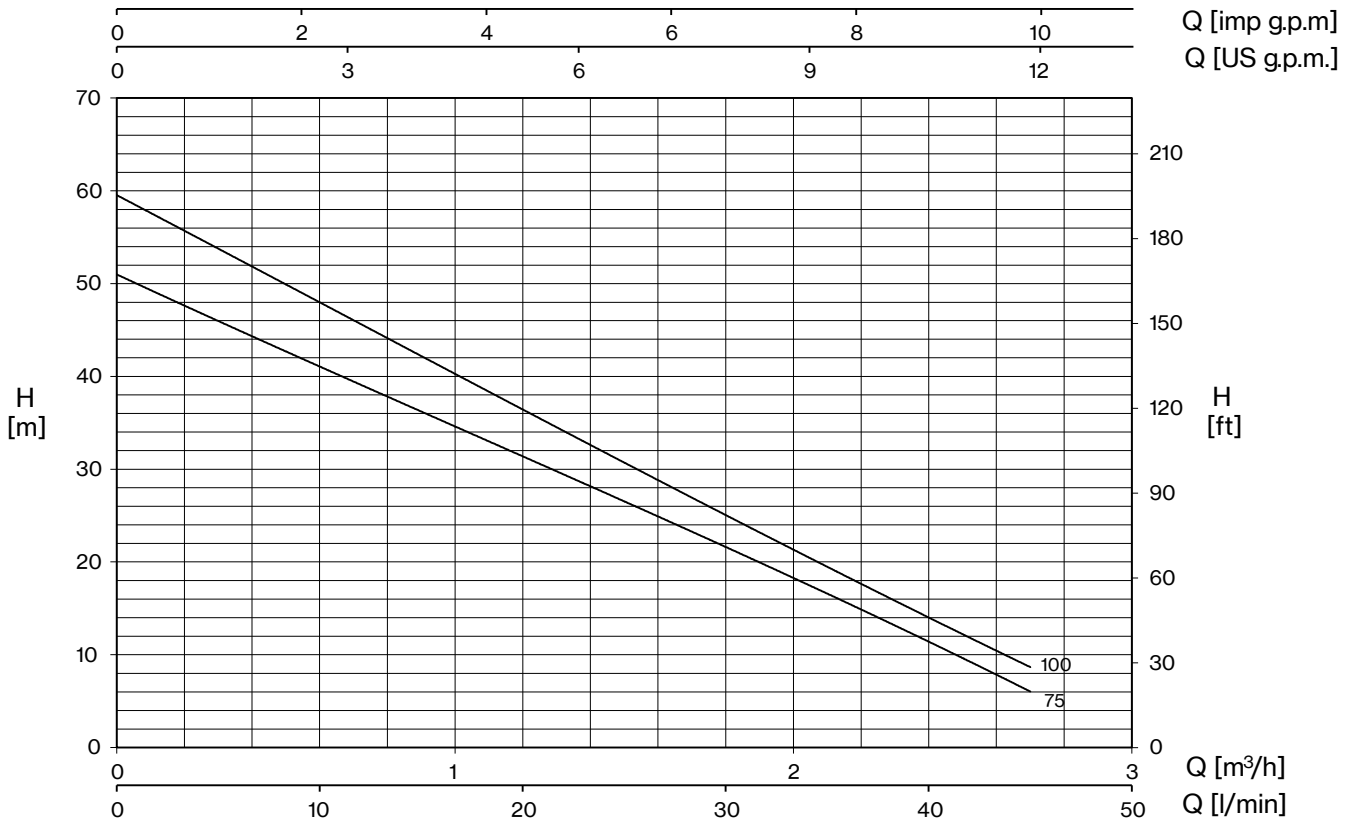
	3~ 230/400V - 50Hz
<b>2 Poles induction motor</b>	1~ 230V - 50Hz (with thermal protection)
<b>Insulation class</b>	F
<b>Protection degree</b>	IPX4

### MDT 75

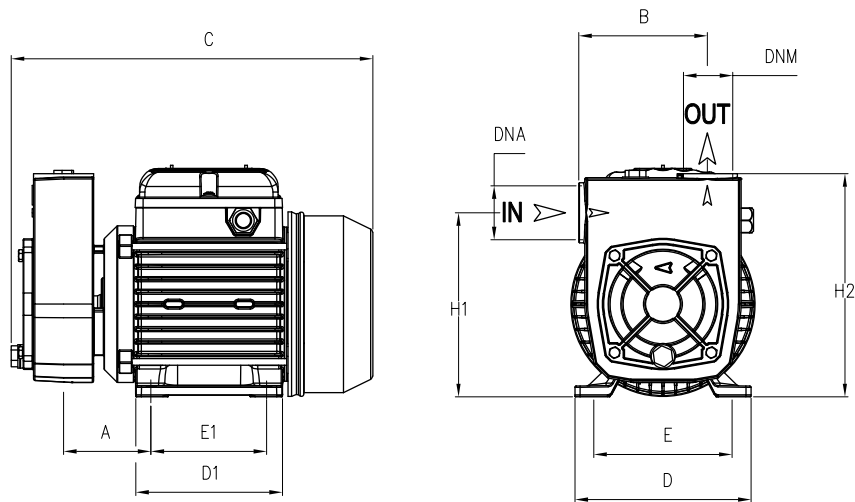


TYPE	LOTS			
	TRUCK		CONTAINER	
	PALLET (cm)	N° pumps	PALLET (cm)	N° pumps
MD 75-100	85×110×170	105	85×110×190	135
			80×120×170	136



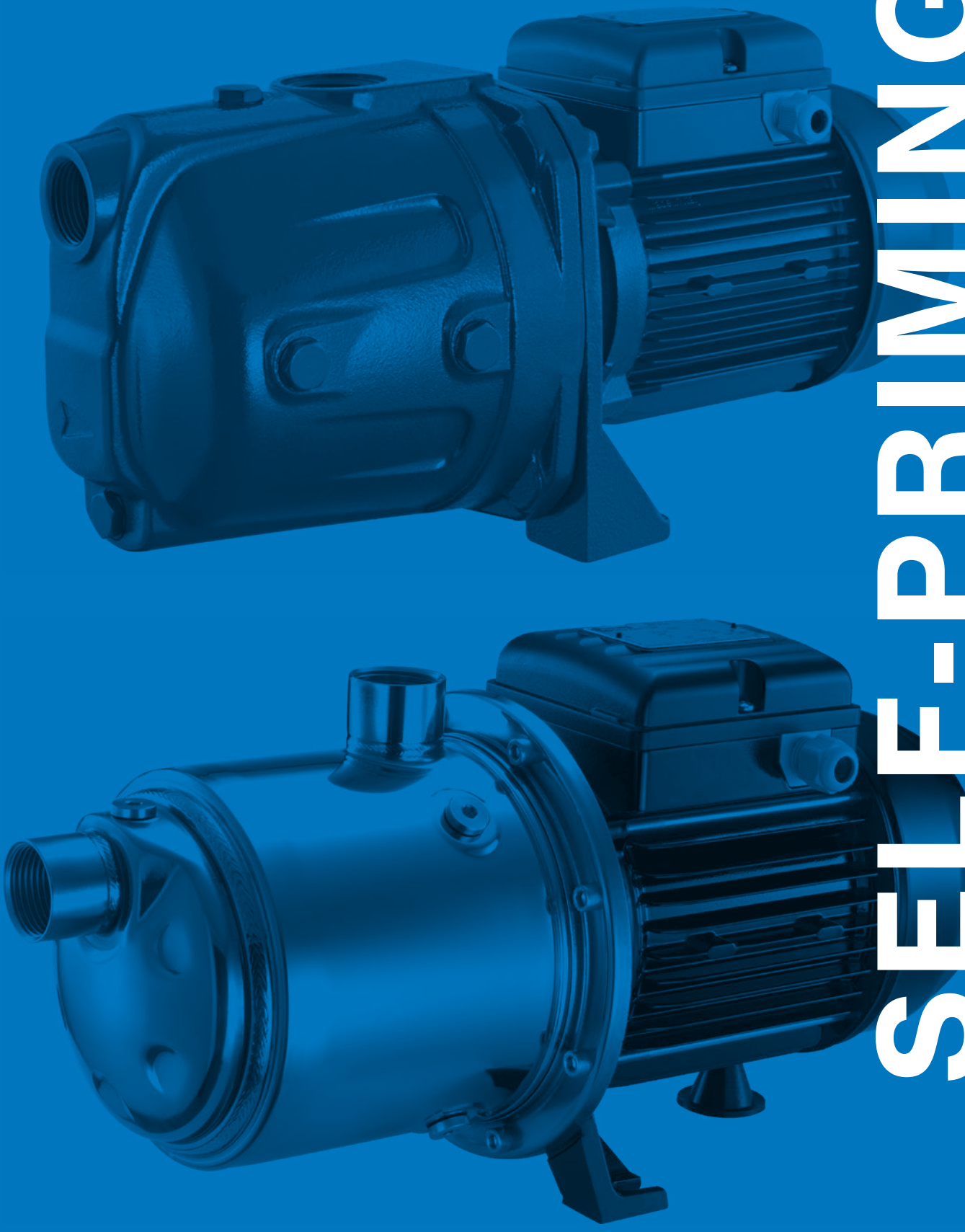


TYPE		P2		P1 (kW)		AMPERE		Q (m³/h - l/min)					
1~	3~	HP	kW	1~	3~	1~ 1x230 V 50 Hz	3~ 3x400 V 50 Hz	0,3	0,6	1,2	1,8	2,4	2,7
								5	10	20	30	40	45
								H (m)					
MD 75	MDT 75	0,8	0,59	1,03	0,94	5,0	1,7	46,0	41,0	31,5	21,5	11,5	6,0
MD 100	MDT 100	1	0,74	1,17	0,98	5,4	2,1	53,0	48,0	37,0	25,0	13,5	9,0



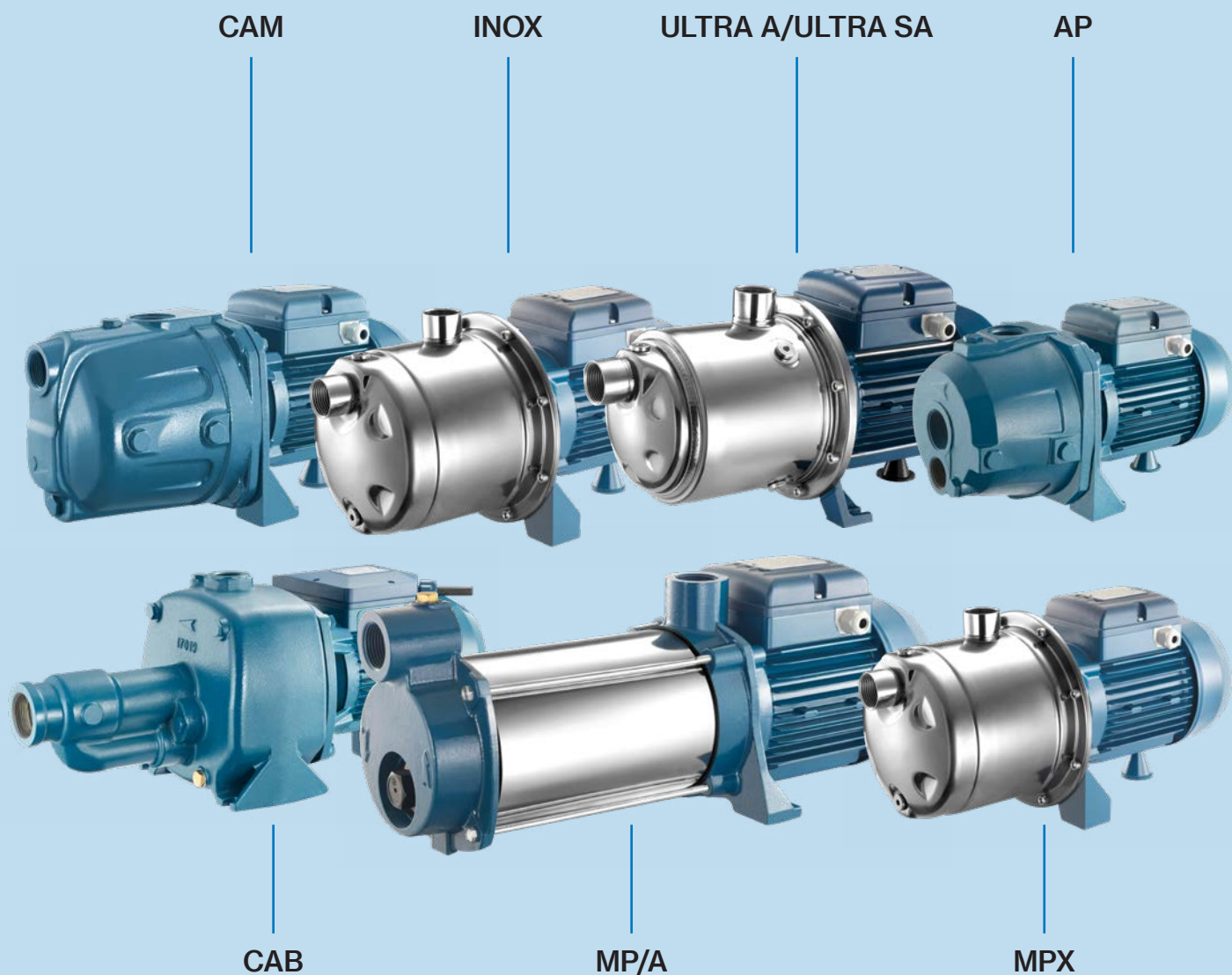
TYPE	DIMENSIONS (mm)														
	A	B	C	D	D1	E	E1	H1	H2	DNA	DNM	I	L	M	
MD 75	70	98,5	270	135	112	112	89	141	170	1" G	1" G	310	185	195	11,1
MD 100	70	98,5	270	135	112	112	89	141	170	1" G	1" G	310	185	195	11,8





**SELF-PRIMING**

# SELF-PRIMING PUMPS



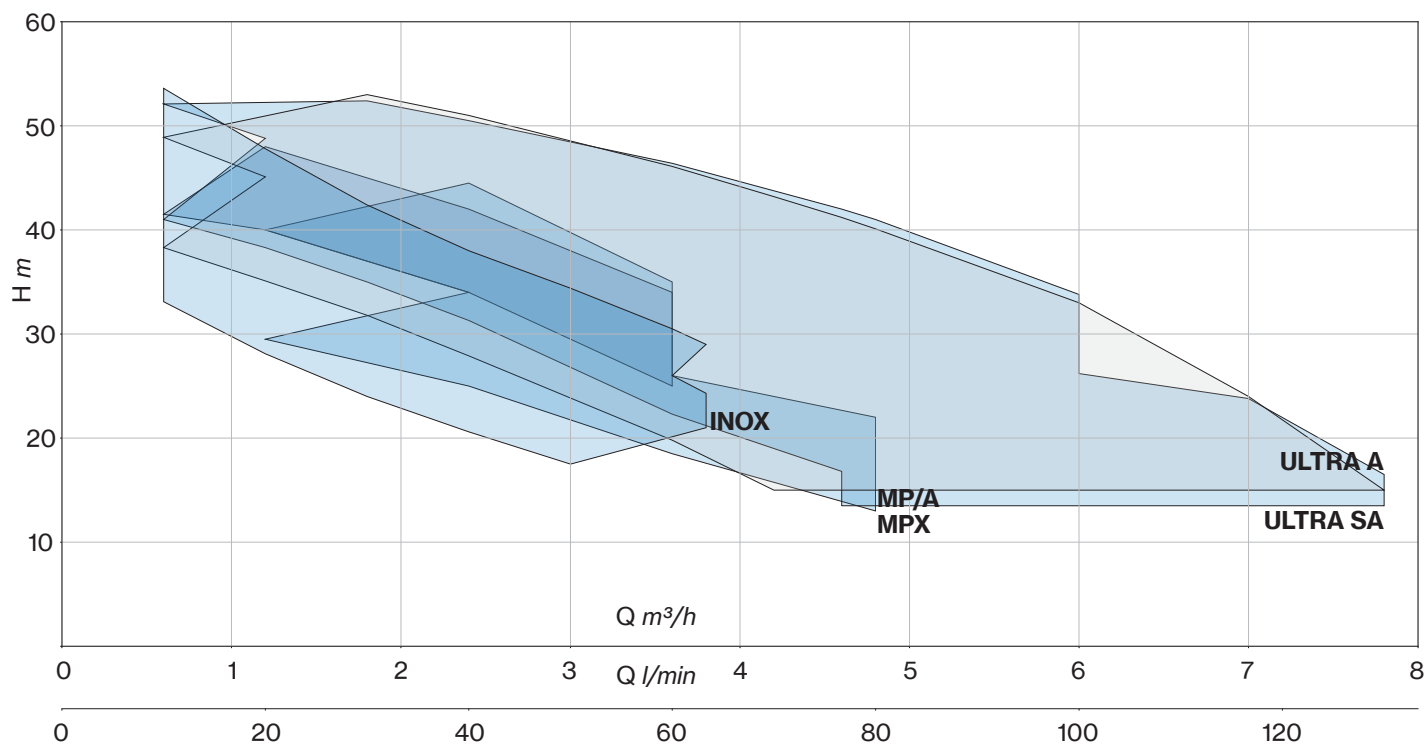
Wide range of single and multistage self-priming pumps, characterized by the fact of being able to handle liquids in the presence of dissolved gases.

## Applications:

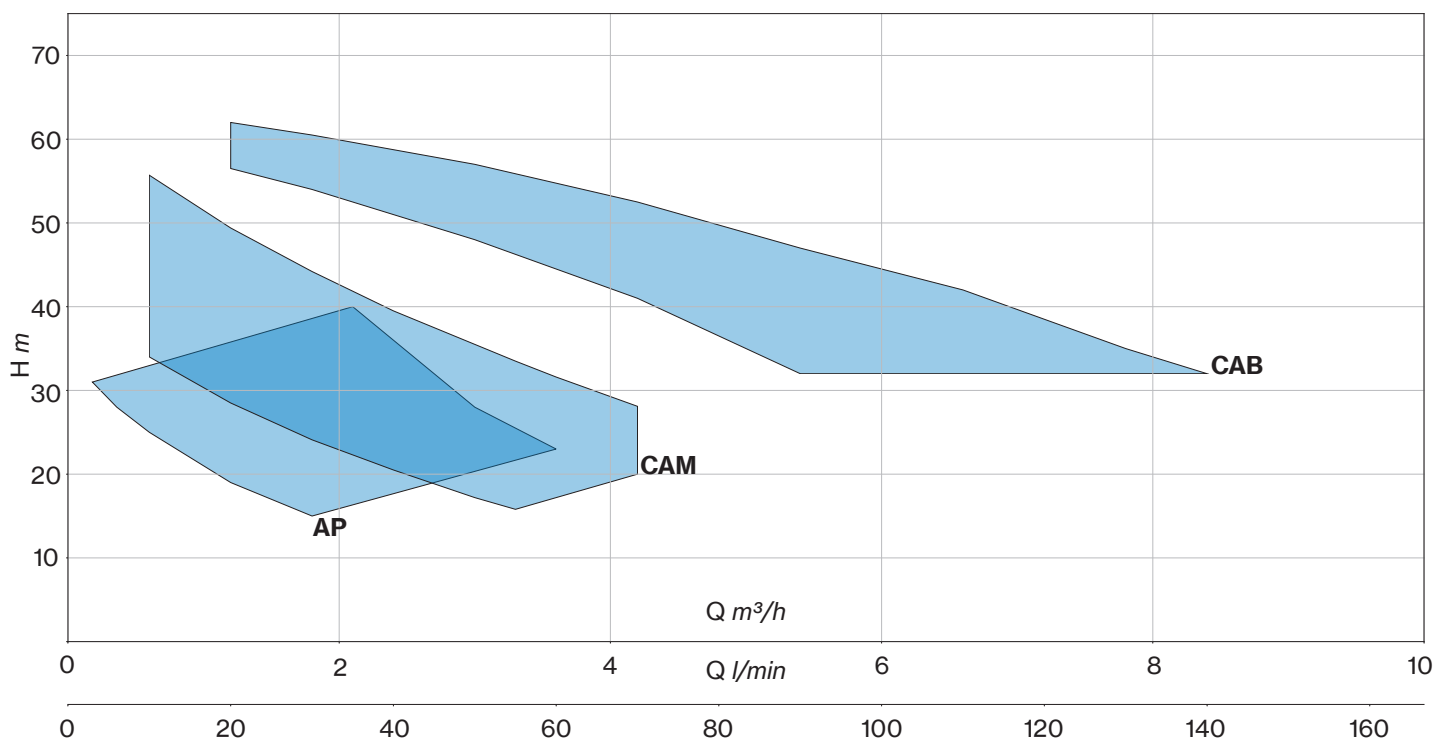
- Water supply
- Pressurization
- Liquid transfer
- Irrigation and tank emptying
- Small automatic systems of pressure increase

# SELF-PRIMING PUMPS

## Stainless steel



## Cast iron



Self-priming centrifugal pumps for water supplies (even if mixed with gas) in small household systems, connected to autoclave tanks, for transferring liquids and emptying tanks; also used for gardening.



CAM 50N÷140



CAM 150÷300

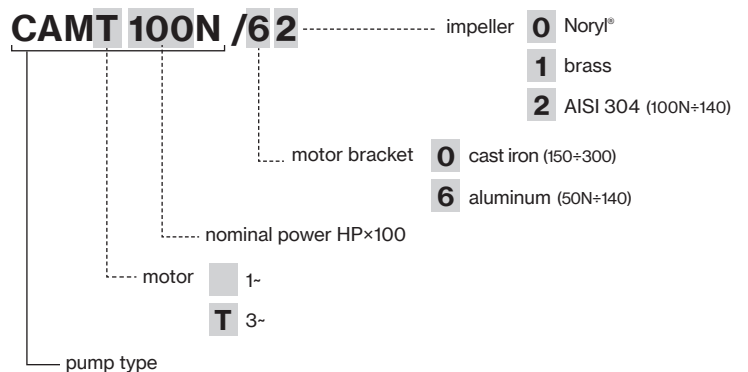
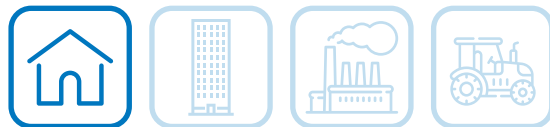


### Construction features

<b>Pump body</b>	cast iron
<b>Motor bracket</b>	aluminum (50N÷140) cast iron (150÷300)
<b>Impeller</b>	Noryl®, brass AISI 304, Noryl®, brass (100N÷140)
<b>Mechanical seal</b>	ceramic-graphite-NBR
<b>Motor shaft</b>	stainless steel AISI 416
<b>Liquid temperature</b>	0 - 50 °C
<b>Operating pressure</b>	max 6 bar (50N÷75N) max 7 bar (100N÷140) max 8 bar (150÷300)

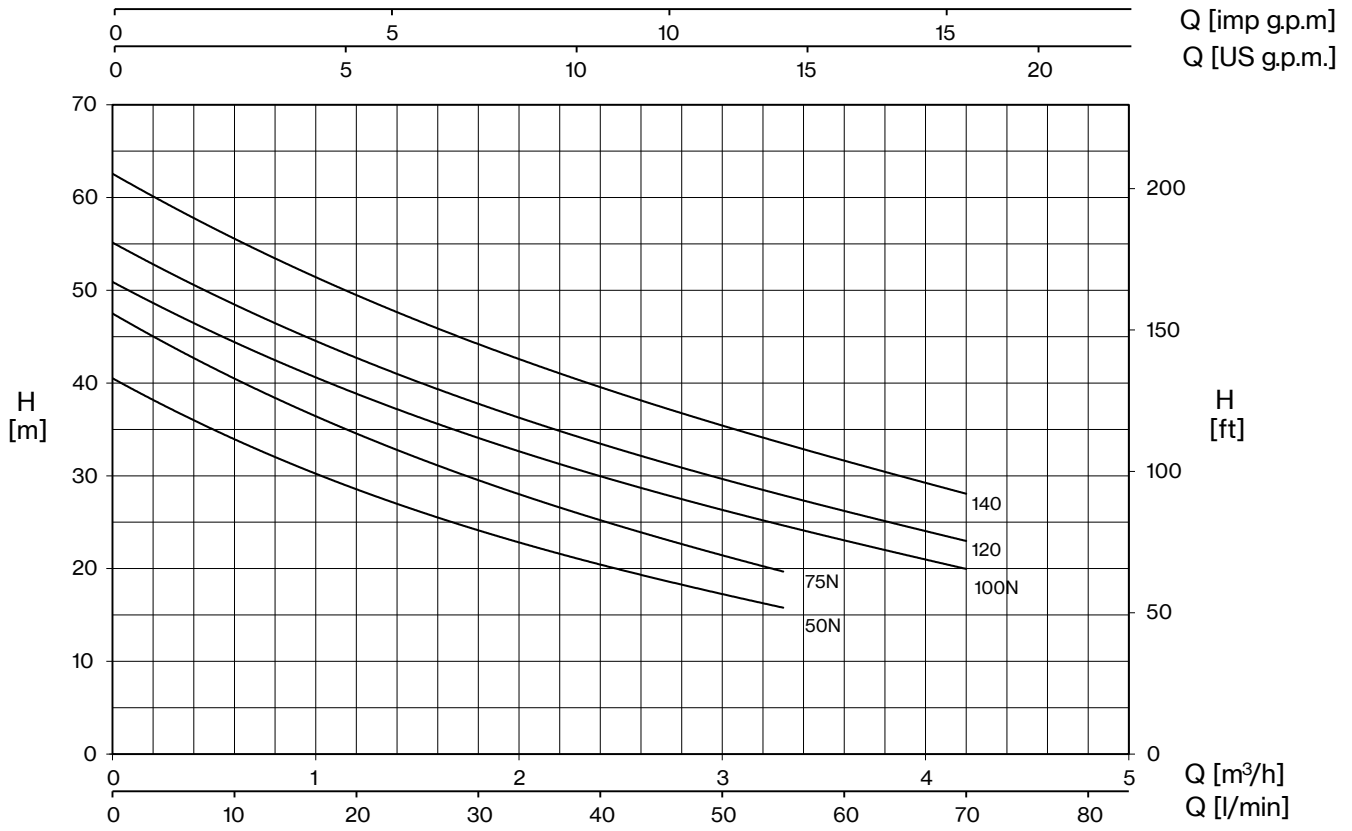
### Motor

	3- 230/400V - 50Hz
<b>2 Poles induction motor</b>	1- 230V - 50Hz (with thermal protection)
<b>Insulation class</b>	F
<b>Protection degree</b>	IPX4

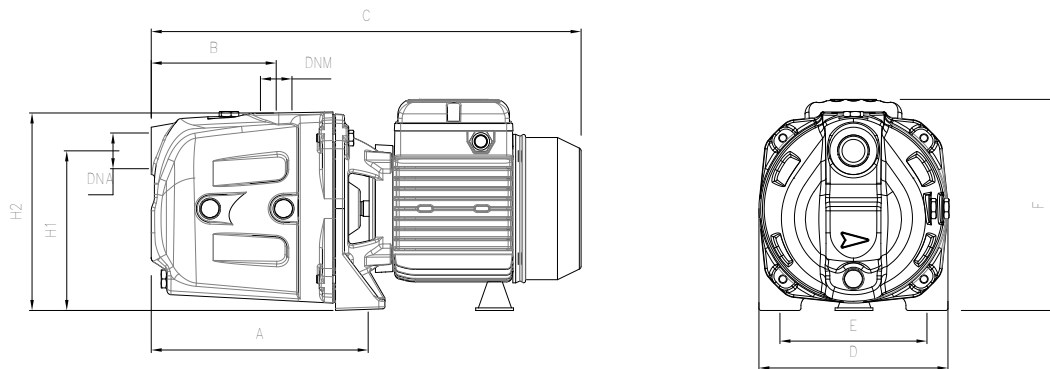


TYPE	LOTS			
	TRUCK		CONTAINER	
	PALLET (cm)	N° pumps	PALLET (cm)	N° pumps
CAM 50N÷140	85×110×145	60	85×110×190	80
			80×120×190	64
CAM 150÷300	80×120×145	35	80×120×180	49





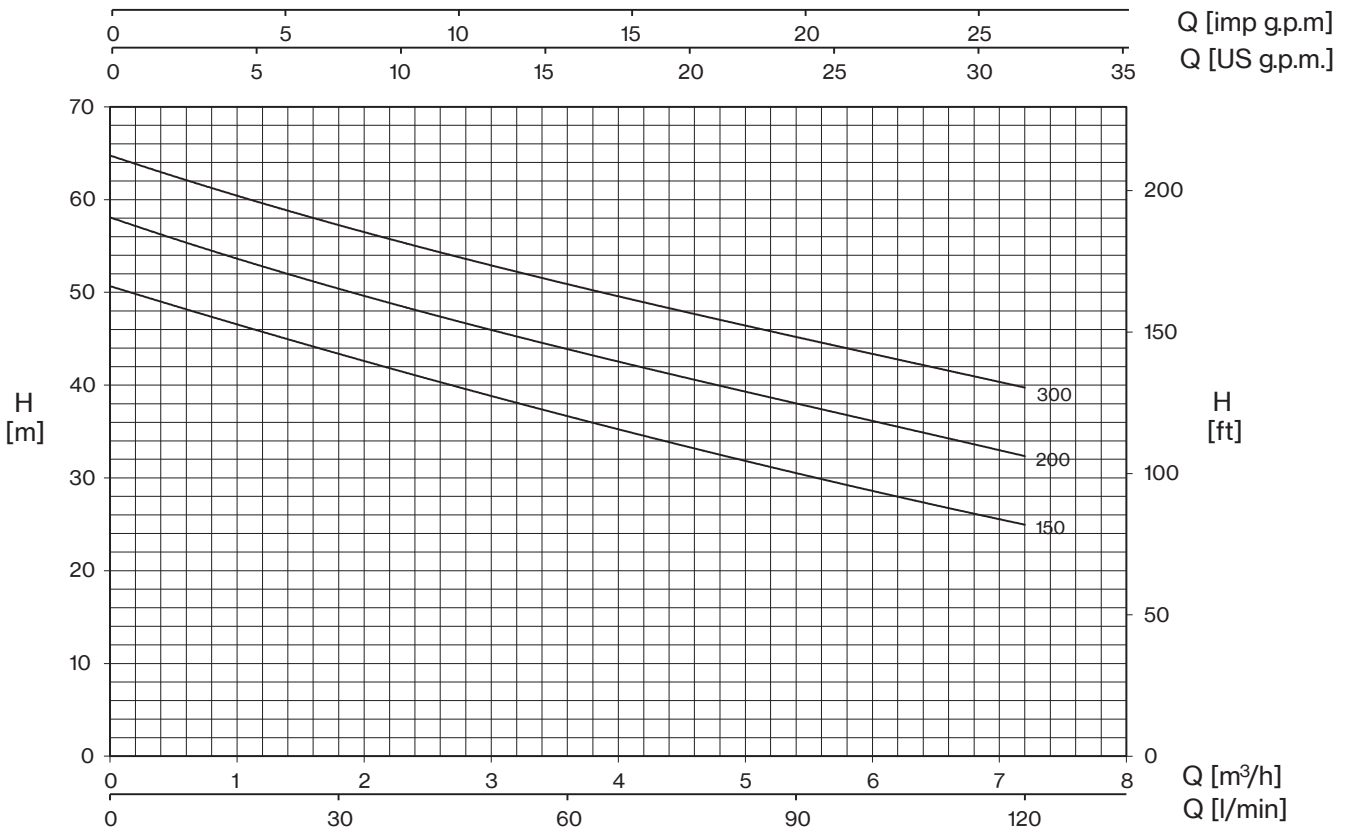
TYPE		P2		P1 (kW)		AMPERE		Q (m³/h - l/min)								
1~	3~	HP	kW	1~	3~	1~	3~	0	0,6	1,2	1,8	2,4	3	3,3	3,6	4,2
								0	10	20	30	40	50	55	60	70
						1x230 V 50 Hz	3x400 V 50 Hz	H (m)								
<b>CAM 50N</b>	<b>CAMT 50N</b>	0,6	0,44	0,7	0,67	3,1	1,3	40,5	34,0	28,5	24,1	20,5	17,2	15,8		
<b>CAM 75N</b>	<b>CAMT 75N</b>	0,8	0,59	0,82	0,78	3,6	1,4	47,5	40,5	34,5	29,6	25,2	21,4	19,7		
<b>CAM 100N</b>	<b>CAMT 100N</b>	1	0,74	1,04	0,92	4,7	1,7	50,9	44,3	38,9	34,1	30,1	26,3	24,6	23,0	20,0
<b>CAM 120</b>	<b>CAMT 120</b>	1,2	0,88	1,14	1,07	5,2	1,9	55,1	48,5	42,6	37,8	33,5	29,7	27,9	26,2	23,0
<b>CAM 140</b>	<b>CAMT 140</b>	1,5	1,1	1,3	1,25	6,0	2,5	62,5	55,7	49,4	44,2	39,5	35,5	33,5	31,6	28,1



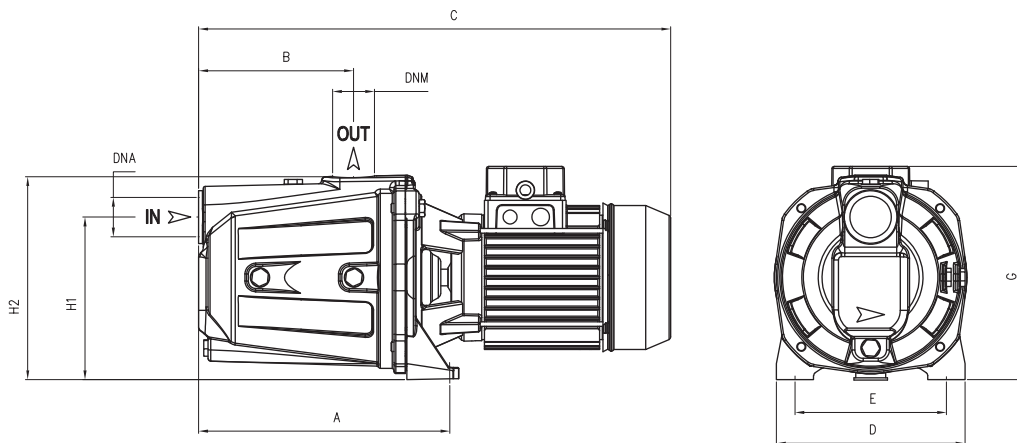
TYPE	DIMENSIONS (mm)													Kg
	A	B	C	D	E	F	H1	H2	DNA	DNM	I	L	M	
<b>CAM 50N</b>	214	119	410	180	140	195	150	185			440	194	215	12
<b>CAM 75N</b>	214	119	410	180	140	195	150	185			440	194	215	12,5
<b>CAM 100N</b>	214	119	410	180	140	195	150	185	1" G	1" G	440	194	215	14
<b>CAM 120</b>	214	119	410	180	140	195	150	185			440	194	215	14,5
<b>CAM 140</b>	214	119	410	180	140	195	150	185			440	194	215	15



# CAM



TYPE		P2		P1 (kW)		AMPERE		Q (m³/h - l/min)						
1~	3~	HP	kW	1~	3~	1x230 V 50 Hz	3x400 V 50 Hz	0	1,2	2,4	3,6	4,8	6	7,2
								0	20	40	60	80	100	120
								H (m)						
CAM 150	CAMT 150	1,5	1,1	1,9	1,8	8,2	3,4	50,7	45,7	41,0	36,8	32,5	28,5	25,0
CAM 200	CAMT 200	2	1,5	2,2	2,1	9,8	3,9	58,1	52,8	48,0	44,0	40,0	36,0	32,4
-	CAMT 300	3	2,2	-	2,5	-	4,8	64,8	59,5	55,0	51,0	47,1	43,2	39,8



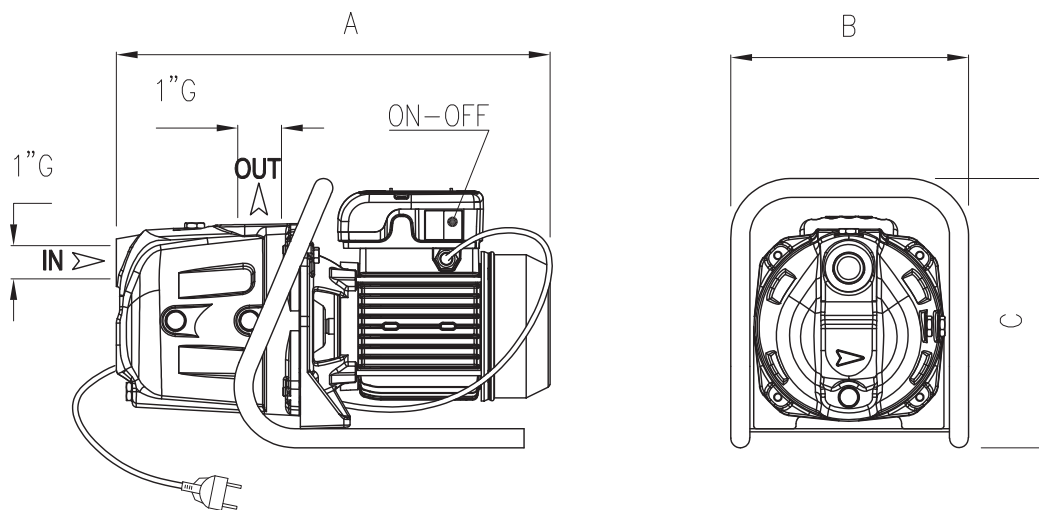
TYPE	DIMENSIONS (mm)														Kg
	A	B	C	D	E	F	G	H1	H2	DNA	DNM	I	L	M	
CAM 150	269,6	167	506	203	165	220	231,5	175	220	1" 1/2 G	1" 1/4 G	535	235	230	26
CAM 200	269,6	167	506	203	165	220	231,5	175	220	1" 1/2 G	1" 1/4 G	535	235	230	27
CAM 300	269,6	167	506	203	165	220	231,5	175	220	1" 1/2 G	1" 1/4 G	535	235	230	26,5



# CAM (Garden version)

Portable electropumps complete with handle, cable with plug and switch.  
The performances depend on adopted pump type.

TYPE	P2		P1 (kW)	Pipe		Performance	
	HP	kW		Suction ("G)	Delivery ("G)	Q (l/min)	H (m)
<b>CAM 50N</b>	0,6	0,44	0,7	1	1	10-55	34,0-15,8
<b>CAM 75N</b>	0,8	0,59	0,82	1	1	10-55	40,5-19,7
<b>CAM 100N</b>	1	0,74	1,04	1	1	10-70	44,3-20,0
<b>CAM 120</b>	1,2	0,88	1,14	1	1	10-70	48,5-23
<b>CAM 140</b>	1,5	1,1	1,3	1	1	10-70	55,7-28,1



TYPE	DIMENSIONS (mm)		
	A	B	C
<b>CAM 50N</b>	410	266	252
<b>CAM 75N</b>	410	266	252
<b>CAM 100N</b>	410	266	252
<b>CAM 120</b>	410	266	252
<b>CAM 140</b>	410	266	252



Self-priming centrifugal pumps for domestic applications such as domestic systems where air is mixed with water. Recommended in combination with pressure set for water transfer, rainwater harvesting and garden irrigation systems.

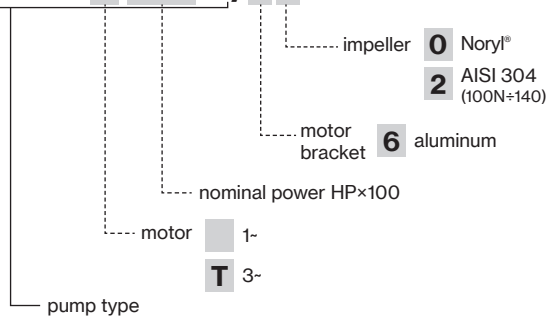
### Construction features

<b>Pump body</b>	stainless steel AISI 304
<b>Motor bracket</b>	aluminum
<b>Impeller</b>	Noryl® Noryl®, AISI 304 (100N≠140)
<b>Mechanical seal</b>	ceramic-graphite-NBR
<b>Motor shaft</b>	stainless steel AISI 416
<b>Liquid temperature</b>	0 - 50 °C
<b>Operating pressure</b>	max 8 bar

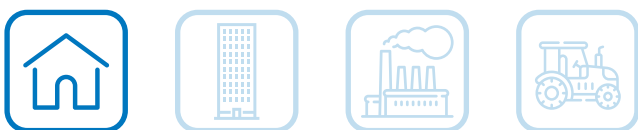
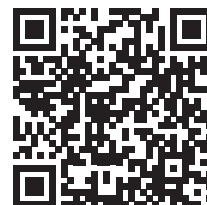
### Motor

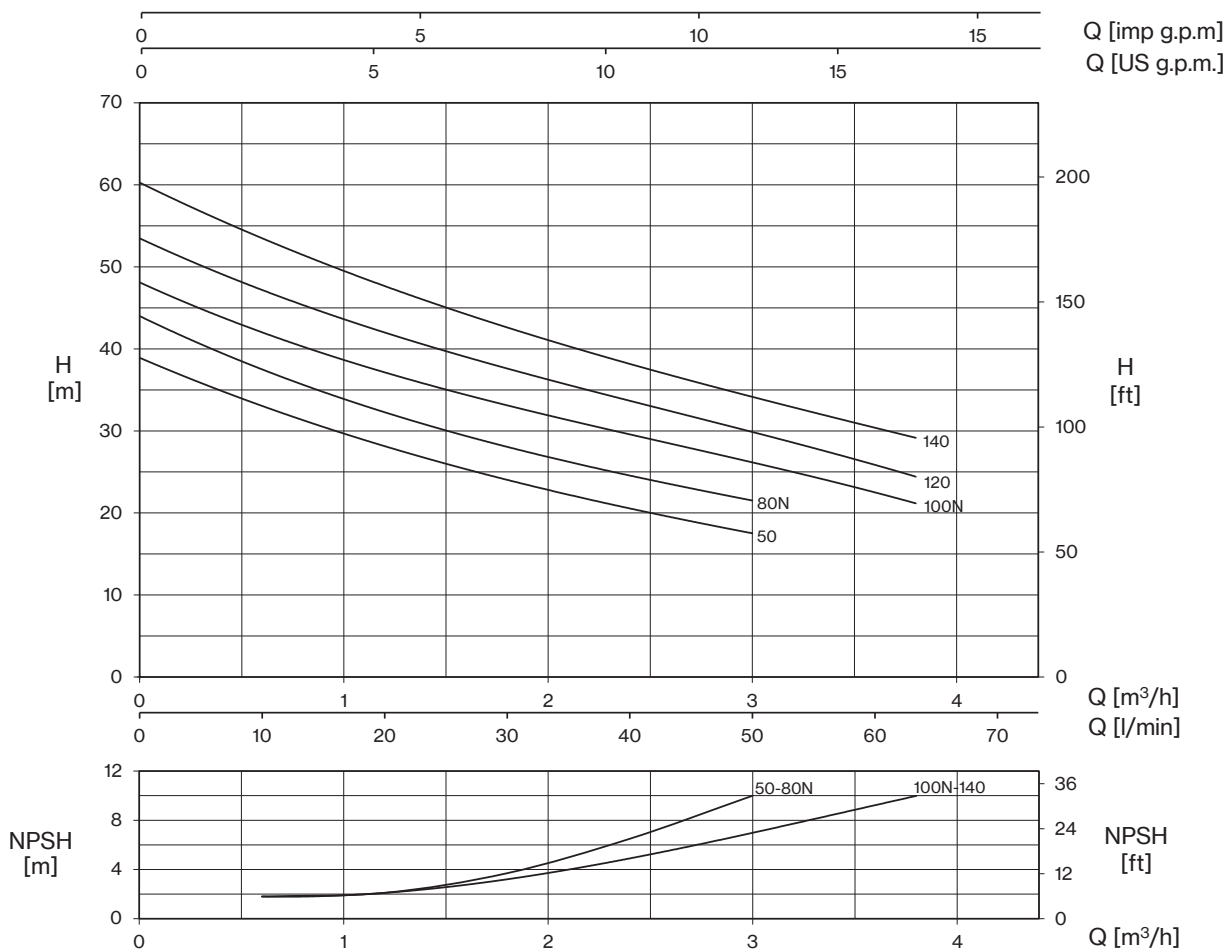
	3~ 230/400V-50Hz
<b>2 Poles induction motor</b>	1~ 230V-50Hz (with thermal protection)
<b>Insulation class</b>	F
<b>Protection degree</b>	IPX4

### INOXT 100N/62

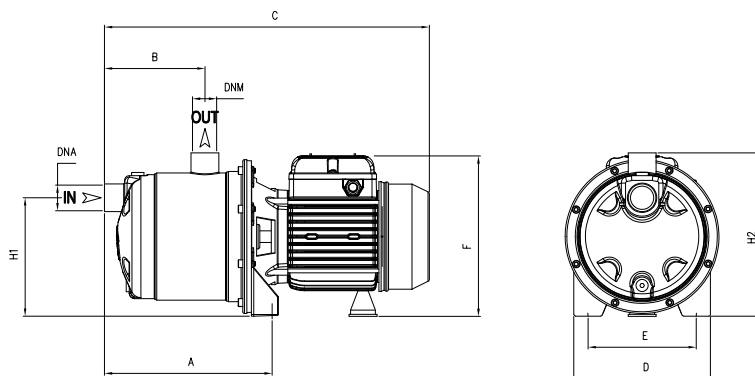


TYPE	LOTS			
	TRUCK		CONTAINER	
	PALLET (cm)	N° pumps	PALLET (cm)	N° pumps
INOX	85×110×150	60	85×110×190	80





TYPE		P2		P1 (kW)		AMPERE		Q (m³/h - l/min)							
1~	3~	HP	kW	1~	3~	1~	3~	0	0,6	1,2	1,8	2,4	3	3,6	3,8
								0	10	20	30	40	50	60	63,3
						1x230 V 50 Hz	3x400 V 50 Hz	H (m)							
INOX 50	INOXT 50	0,6	0,44	0,67	0,63	2,9	1,2	38,9	33,1	28,1	24,0	20,6	17,5		
INOX 80N	INOXT 80N	0,8	0,59	0,75	0,76	3,3	1,4	44,0	37,5	32,3	28,0	24,6	21,5		
INOX 100N	INOXT 100N	1	0,74	1,04	0,92	4,7	1,7	48,0	42,3	37,0	33,0	29,6	26,2	22,7	21,0
INOX 120	INOXT 120	1,2	0,88	1,14	1,03	5,2	1,9	53,4	47,4	41,9	37,5	33,7	29,9	26,0	24,3
INOX 140	INOXT 140	1,5	1,1	1,3	1,23	6,0	2,5	60,2	53,6	47,8	42,4	38,0	34,4	30,5	29,0



TYPE	DIMENSIONS (mm)													Kg
	A	B	C	D	E	F	H1	H2	DNA	DNM	I	L	M	
INOX 50	208	128	410	175	140	215	153	210			430	210	235	8,5
INOX 80N	208	128	410	175	140	215	153	210			430	210	235	9,5
INOX 100N	208	128	410	175	140	215	153	210	1" G	1" G	430	210	235	10,5
INOX 120	208	128	410	175	140	215	153	210			430	210	235	11
INOX 140	208	128	410	175	140	215	153	210			430	210	235	11,5



# INOX (Garden version)

Portable electropumps complete with handle, cable with plug and switch.  
The performances depend on adopted pump type.

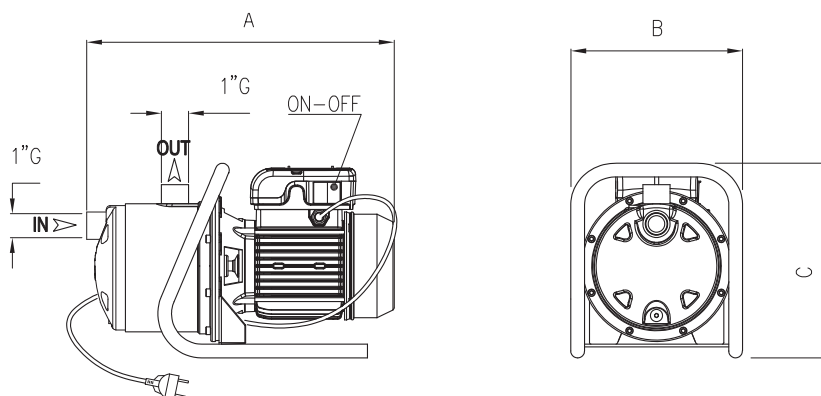


INOX

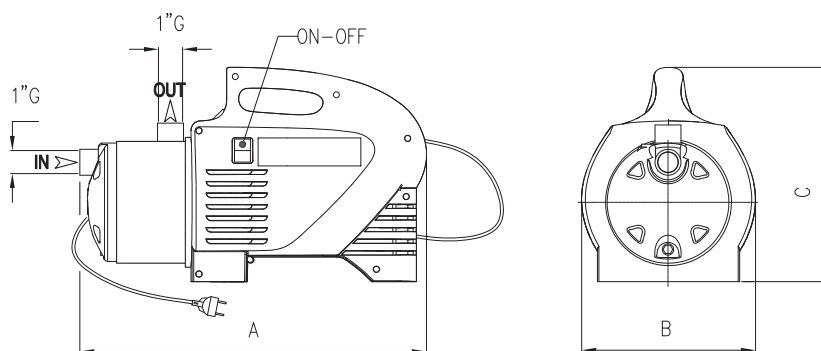


INOX BOX

TYPE	P2		P1 (kW)	Pipe		Performance	
	HP	kW	1~	Suction ("G)	Delivery ("G)	Q (l/min)	H (m)
INOX 100N	1	0,74	1,04	1	1	10-63,3	42,3-21,0



INOX / MPX



INOX / MPX

TYPE	DIMENSIONS (mm)		
	A	B	C
INOX 100N	410	175	285
INOX 100N BOX	429	209	287



# ULTRA A

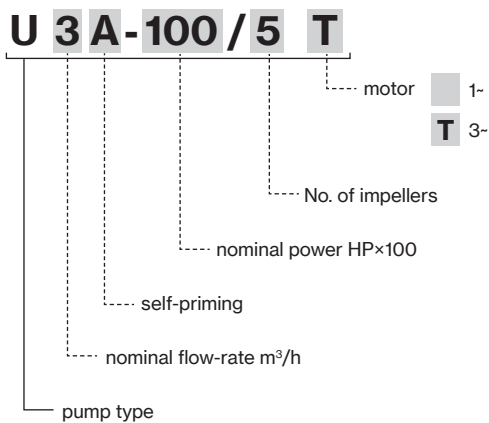
Self-priming



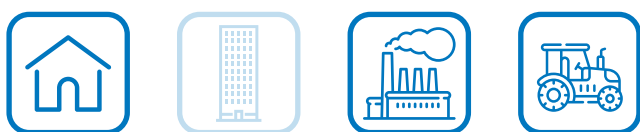
Self-priming horizontal multistage stainless steel pumps suitable for domestic use, also in combination with autoclave tank. Suitable for drinking water or glycol, for water treatment, heating, air conditioning and washing systems.

Construction features	
<b>Pump body, mechanical seal housing</b>	stainless steel AISI 304
<b>Motor bracket</b>	aluminum
<b>Impellers, diffusers</b>	Noryl®
<b>Mechanical seal</b>	ceramic-graphite-EPDM
<b>Motor shaft</b>	stainless steel AISI 303
<b>Liquid temperature</b>	-5 ÷ +35 °C
<b>Operating pressure</b>	max 7 bar

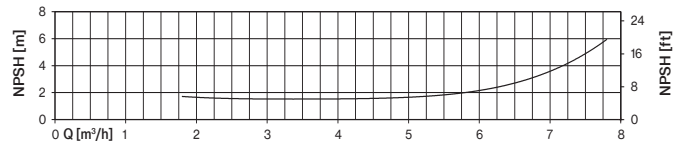
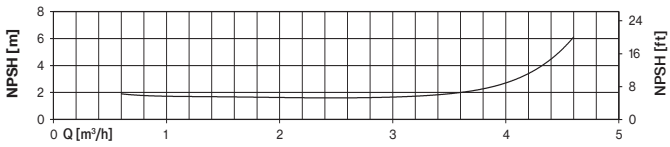
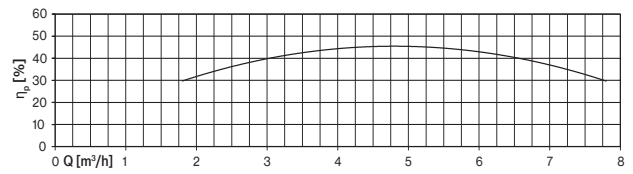
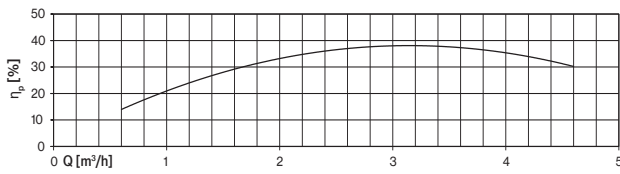
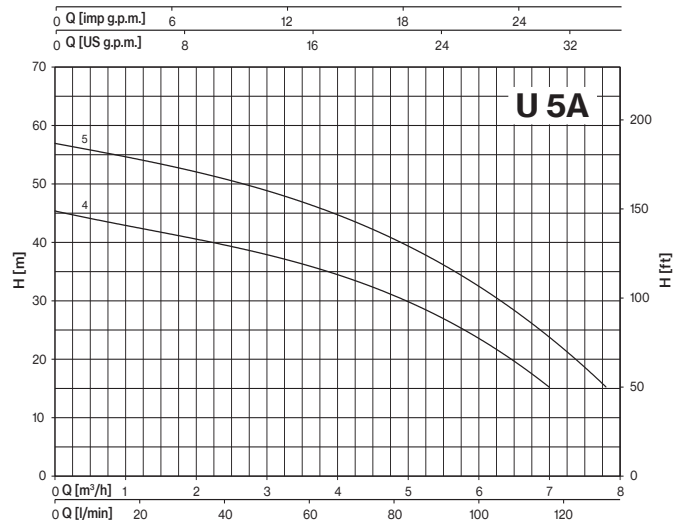
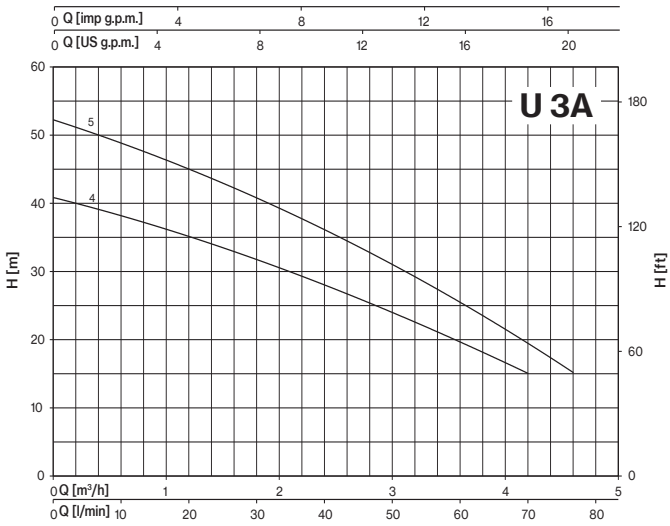
Motor	
	3~ 230/400V-50Hz
<b>2 poles induction motor</b>	1~ 230V-50Hz (with thermal protection up to 1.85 kW)
<b>Insulation class</b>	F
<b>Protection degree</b>	IPX4



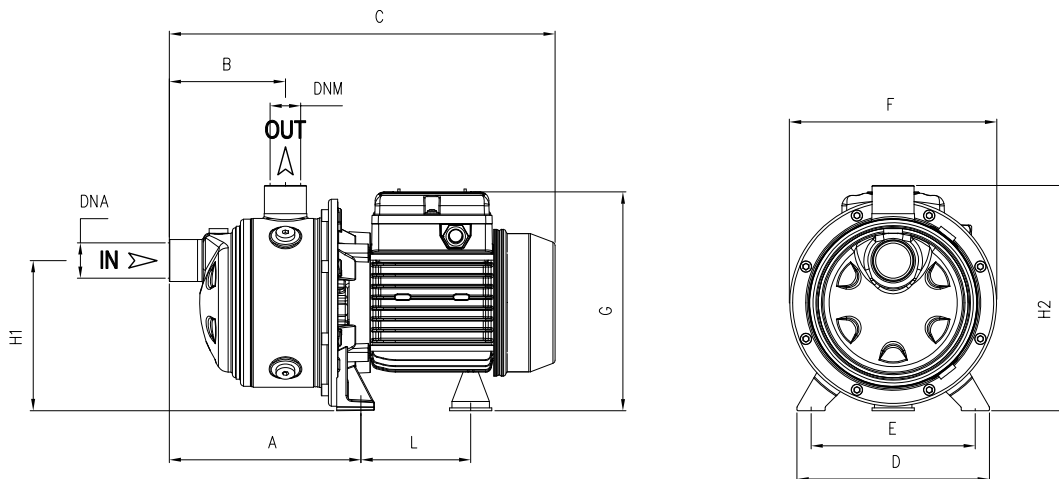
TYPE	LOTS			
	TRUCK		CONTAINER	
	PALLET (cm)	N° pumps	PALLET (cm)	N° pumps
U 3A-90/4	85×110×160	70	85×110×185	80
U 3A-100/5	80×120×150	42	80×120×175	49
U 5A-120/4	80×120×150	42	80×120×175	49
U 5A-150/5	80×120×150	42	80×120×175	49



# ULTRA A



TYPE		P2		P1 (kW)		AMPERE		Q (m³/h - l/min)														
1~	3~	HP	kW	1~	3~	1~ 1x230 V 50 Hz	3~ 3x400 V 50 Hz	H (m)														
								0	0,6	1,2	1,8	2,4	3,6	4,2	4,6	4,8	6	7	7,8			
								0	10	20	30	40	60	70	76,7	80	100	116,7	130			
U 3A-90/4	U 3A-90/4 T	0,9	0,66	0,9	0,88	4	1,8	40,8	38,3	35,1	31,8	27,9	19,8	15,0								
U 3A-100/5	U 3A-100/5 T	1	0,75	1,06	1,01	4,8	1,9	52,2	48,9	45,1	40,8	36,0	25,4	19,8	15,0							
U 5A-120/4	U 5A-120/4 T	1,2	0,9	1,13	1,13	5,2	2,5	45,3			41,3	39,6	35,6	33,4	31,7	30,8	24,0	15,0				
U 5A-150/5	U 5A-150/5 T	1,5	1,1	1,47	1,39	6,8	2,8	56,8			53,0	51,0	46,1	43,2	41,2	40,1	33,0	24,0	15,0			



TYPE	DIMENSIONS (mm)												Kg
	A	B	C	D	E	F	G	L	H1	H2	DNA	DNM	
U 3A-90/4	238,8	175	405	164	140	178	190	93,7	128	192	1" G	1" G	9
U 3A-100/5	262,8	199	452	164	140	178	203	104,7	128	192			11,5
U 5A-120/4	238,8	175	428	164	140	178	203	104,7	128	192			11,5
U 5A-150/5	262,8	199	514	164	140	201	211	128,2	134	198			14,5





# ULTRA SA

Self-priming



Self-priming horizontal multistage stainless steel pumps suitable for domestic use, also in combination with autoclave tank. Suitable for drinking water or glycol, for water treatment, heating, air conditioning and washing systems.

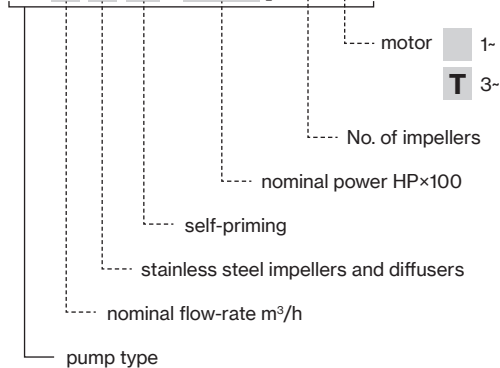
## Construction features

<b>Pump body, mechanical seal housing</b>	stainless steel AISI 304
<b>Motor bracket</b>	aluminum
<b>Impellers, diffusers</b>	stainless steel AISI 304
<b>Mechanical seal</b>	ceramic-graphite-EPDM
<b>Motor shaft</b>	stainless steel AISI 303
<b>Liquid temperature</b>	-15 ÷ +110 °C
<b>Operating pressure</b>	max 7 bar

## Motor

	3~ 230/400V-50Hz
<b>2 poles induction motor</b>	1~ 230V-50Hz (with thermal protection up to 1.85 kW)
<b>Insulation class</b>	F
<b>Protection degree</b>	IPX4

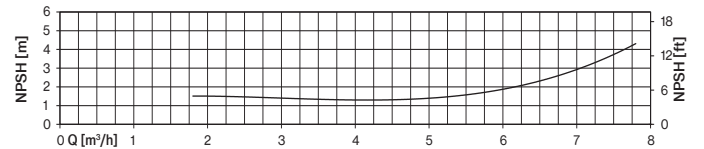
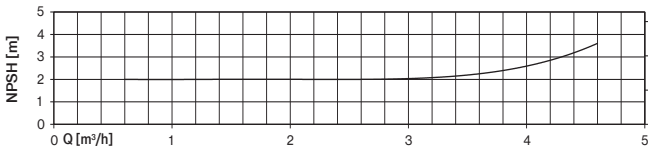
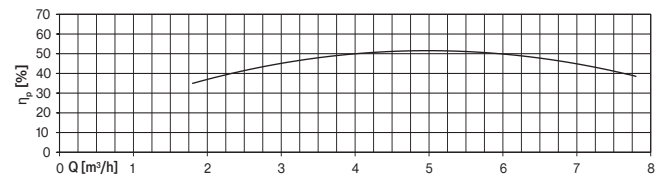
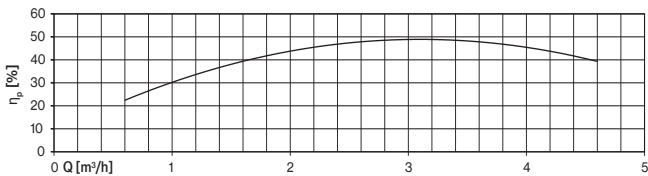
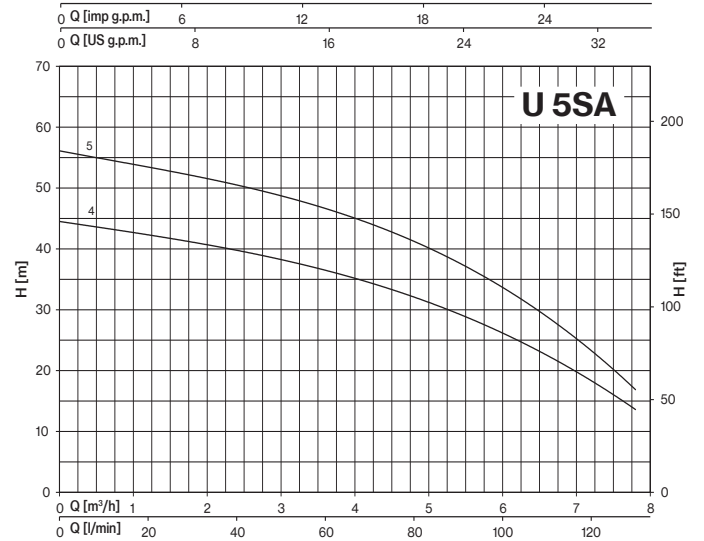
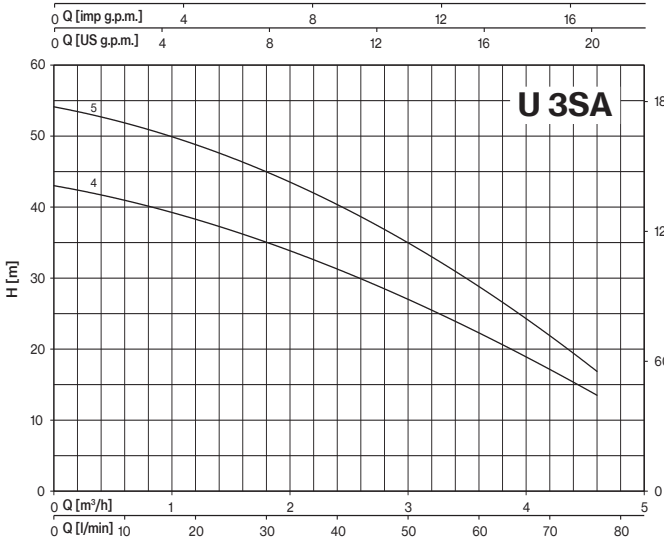
## U 3 S A - 100 / 5 T



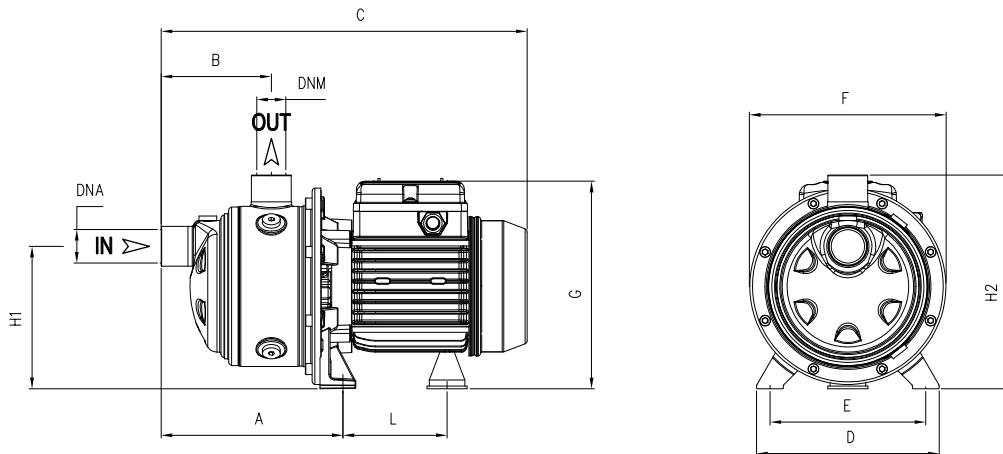
TYPE	LOTS			
	TRUCK		CONTAINER	
	PALLET (cm)	N° pumps	PALLET (cm)	N° pumps
U 3SA-90/4	85×110×160	70	85×110×185	80
U 3SA-100/5	80×120×150	42	80×120×175	49
U 5SA-120/4	80×120×150	42	80×120×175	49
U 5SA-150/5	80×120×150	42	80×120×175	49



# ULTRA SA



TYPE		P2		P1 (kW)		AMPERE		Q (m³/h - l/min)														
1~	3~	HP	kW	1~	3~	1~ 1x230 V 50 Hz	3~ 3x400 V 50 Hz	H (m)														
								0	0,6	1,2	1,8	2,4	3,6	4,6	4,8	6	7	7,8				
U 3SA-90/4	U 3SA-90/4 T	0,9	0,66	0,83	0,8	3,6	1,7	43,0	41,0	38,3	35,0	31,3	22,3	13,5								
U 3SA-100/5	U 3SA-100/5 T	1	0,75	0,99	0,92	4,4	1,7	54,0	52,1	48,8	44,9	40,2	29,0	16,8								
U 5SA-120/4	U 5SA-120/4 T	1,2	0,9	1,09	1,08	4,9	2,4	44,5			41,0	40,0	36,4	32,8	32,0	26,2	18,5	13,5				
U 5SA-150/5	U 5SA-150/5 T	1,5	1,1	1,39	1,31	6,5	2,7	56,0			52,4	50,5	46,4	42,0	41,0	33,8	23,8	16,5				



TYPE	DIMENSIONS (mm)											DNA	DNM	Kg
	A	B	C	D	E	F	G	L	H1	H2				
U 3SA-90/4	238,8	175	405	164	140	178	190	93,7	128	192	1" G	1" G	10	
U 3SA-100/5	262,8	199	452	164	140	178	203	104,7	128	192			12,5	
U 5SA-120/4	238,8	175	428	164	140	178	203	104,7	128	192	1" G	1" G	12,5	
U 5SA-150/5	262,8	199	514	164	140	201	211	128,2	134	198			15,5	



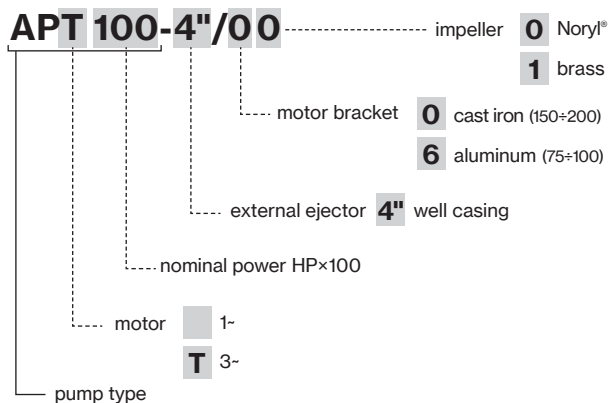
Self-priming centrifugal pumps with 4" external ejector. Suitable for water supply (even if mixed with air) of small domestic systems, that can be connected to an autoclave tank.

### Construction features

<b>Pump body</b>	cast iron
<b>Motor bracket</b>	aluminum (75÷100), cast iron (150÷200)
<b>Impeller</b>	Noryl® or brass
<b>Mechanical seal</b>	ceramic-graphite-NBR
<b>Motor shaft</b>	stainless steel AISI 416 (75÷100), stainless steel AISI 303 hydraulic part (150÷200)
<b>Liquid temperature</b>	0 - 50 °C
<b>Operating pressure</b>	max 8 bar

### Motor

	3~ 230/400V-50Hz
<b>2 poles induction motor</b>	1~ 230V-50Hz (with thermal protection)
<b>Insulation class</b>	F
<b>Protection degree</b>	IPX4



TYPE	LOTS			
	TRUCK		CONTAINER	
	PALLET (cm)	N° pumps	PALLET (cm)	N° pumps
AP 75-100	85×110×145	60	85×110×190	80
AP 150-200	80×120×140	35	80×120×190	49



AP 100

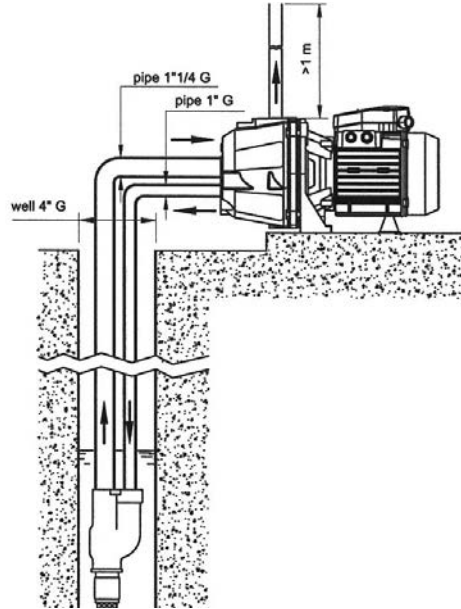


APT 200

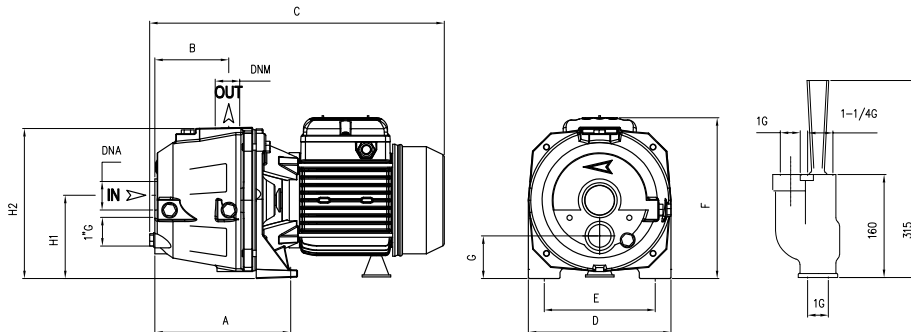


4"





TYPE		P2		P1 (kW)		AMPERE		Ejector type	Suction depth. m	Q (m³/h - l/min)									
1~	3~	HP	kW	1~	3~	1~ 50 Hz	3~ 50 Hz			H (m)									
										0,18 3	0,36 6	0,6 10	0,9 15	1,2 20	1,5 25	1,8 30	2,1 35	3 50	3,6 60
AP 75	APT 75	0,8	0,59	0,8	0,81	3,7	1,4	P 20	15 20	31 28	28 23	25 18	22 15	19 13	17 11	15	12		
								P 30	25 30	22 14	16 8	11	8						
AP 100	APT 100	1	0,74	1,02	1,05	4,7	2,3	P 20	15 20	40 37	37 34	34 30	30 25	27 21	24 17	21	18		
								P 30	25 30 35	30 14 12	25 8 4	20	14	11					
AP 150	APT 150	1,5	1,1	1,65	1,65	8,2	3	P 20	15 20 25						50 45 34	42 37 34	35 30 27	25 21	21
								P 30	35 40 50		49 43	49	41	20					
AP 200	APT 200	2	1,5	2,22	2,22	10,3	4,1	P 20	15 20 25						50	46 48 44	35 43 40	25 32 28	21
								P 30	35 40 50		49	46	30		28	20			



TYPE	DIMENSIONS (mm)														Kg
	A	B	C	D	E	F	G	H1	H2	DNA	DNM	I	L	M	
AP 75	168	82	360	180	140	195	52	97	188	1" 1/4 G	1" G	440	200	225	16
AP 100	168	82	360	180	140	195	52	97	188			440	200	225	18
AP 150	125	74	415	220	177	230	60	112	240			525	230	280	28,5
AP 200	125	74	415	220	177	230	60	112	240			525	230	280	29





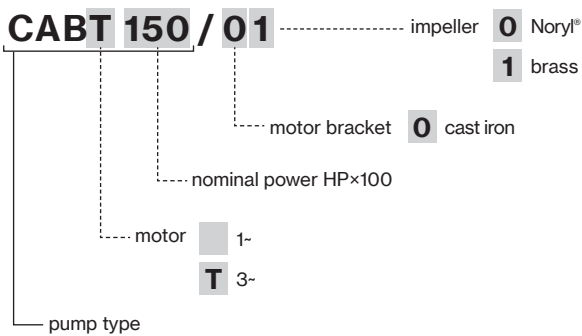
Self-priming centrifugal pumps for water supply (also mixed with air) of small and medium domestic and civil installations, that can be connected to an autoclave tank.

### Construction features

<b>Pump body</b>	cast iron
<b>Motor bracket</b>	cast iron
<b>Impeller</b>	Noryl® or brass
<b>Mechanical seal</b>	ceramic-graphite-NBR
<b>Motor shaft</b>	stainless steel AISI 303 hydraulic side
<b>Liquid temperature</b>	0 - 50 °C
<b>Operating pressure</b>	max 8 bar

### Motor

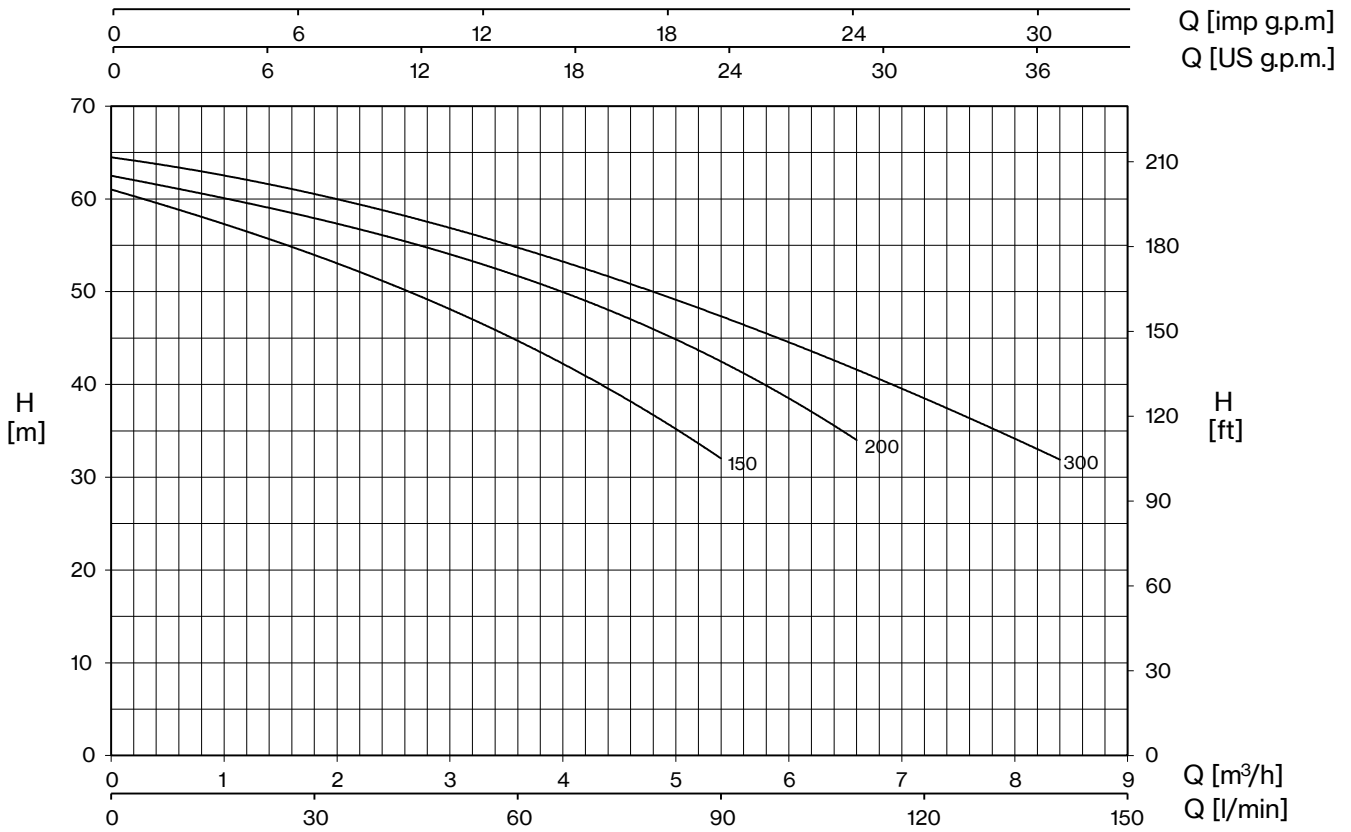
	3~ 230/400V-50Hz
<b>2 Poles induction motor</b>	1~ 230V-50Hz (with thermal protection)
<b>Insulation class</b>	F
<b>Protection degree</b>	IPX4



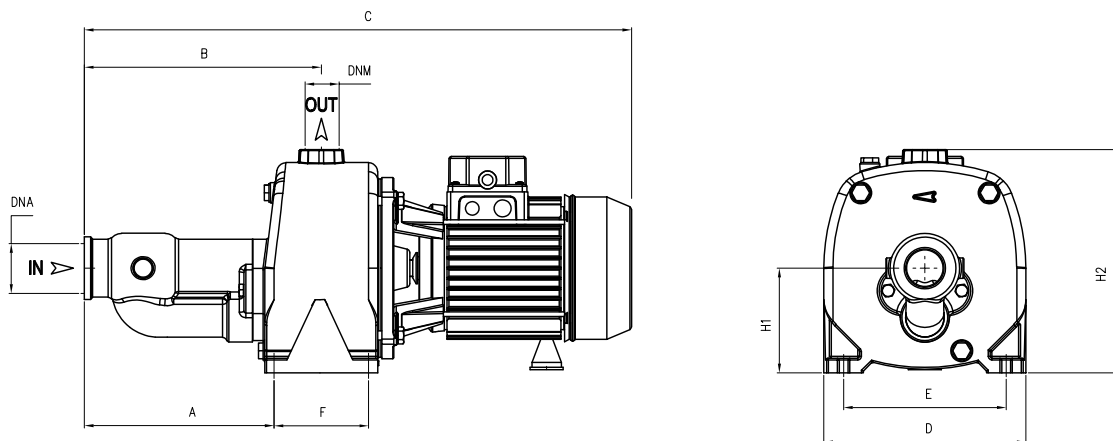
TYPE	LOTS			
	TRUCK		CONTAINER	
	PALLET (cm)	N° pumps	PALLET (cm)	N° pumps
<b>CAB</b>	85×110×140	30	85×110×190	42



# CAB

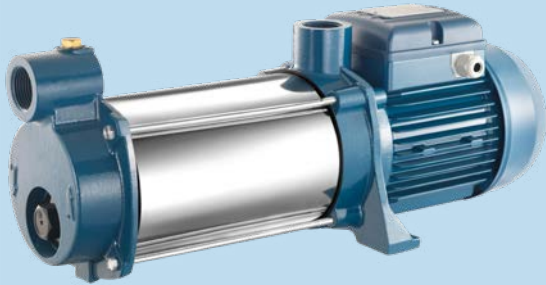


TYPE		P2		P1 (kW)		AMPERE		Q (m³/h - l/min)								
1~	3~	HP	kW	1~	3~	1~	3~	0	1,2	1,8	3	4,2	5,4	6,6	7,8	8,4
								0	20	30	50	70	90	110	130	140
						1x230 V 50 Hz	3x400 V 50 Hz	H (m)								
CAB 150	CABT 150	1,5	1,1	1,74	1,68	7,9	3,3	61,0	56,5	54,0	48,0	41,0	32,0			
CAB 200	CABT 200	2	1,5	2,22	2,1	10,3	3,9	62,5	59,5	58,0	54,0	49,0	42,5	34,0		
CAB 300	CABT 300	3	2,2	2,65	2,5	11,8	4,9	64,5	62,0	60,5	57,0	52,5	47,0	42,0	35,0	32,0



TYPE	DIMENSIONS (mm)										M			Kg
	A	B	C	D	E	F	H1	H2	DNA	DNM	I	L	M	
CAB 150	204	257	596	220	177	105	112	240			610	235	275	30
CAB 200	204	257	596	220	177	105	112	240	1" ½ G	1" G	610	235	275	30,5
CAB 300	204	257	596	220	177	105	112	240			610	235	275	31,5





Multi-stage centrifugal pumps, horizontal and self-priming, particularly suitable for constructing small and medium sized pressurisation systems; able to suck liquids mixed with air.

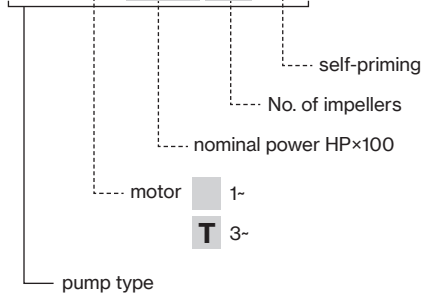
### Construction features

<b>Pump body</b>	cast iron
<b>Motor bracket</b>	cast iron
<b>Impeller</b>	Noryl®
<b>Mechanical seal</b>	ceramic-graphite-NBR
<b>Motor shaft</b>	stainless steel AISI 416
<b>Liquid temperature</b>	0 - 50 °C
<b>Operating pressure</b>	max 11 bar

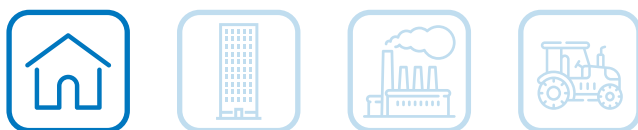
### Motor

	3~ 230/400V-50Hz
<b>2 poles induction motor</b>	1~ 230V-50Hz (with thermal protection)
<b>Insulation class</b>	F
<b>Protection degree</b>	IPX4

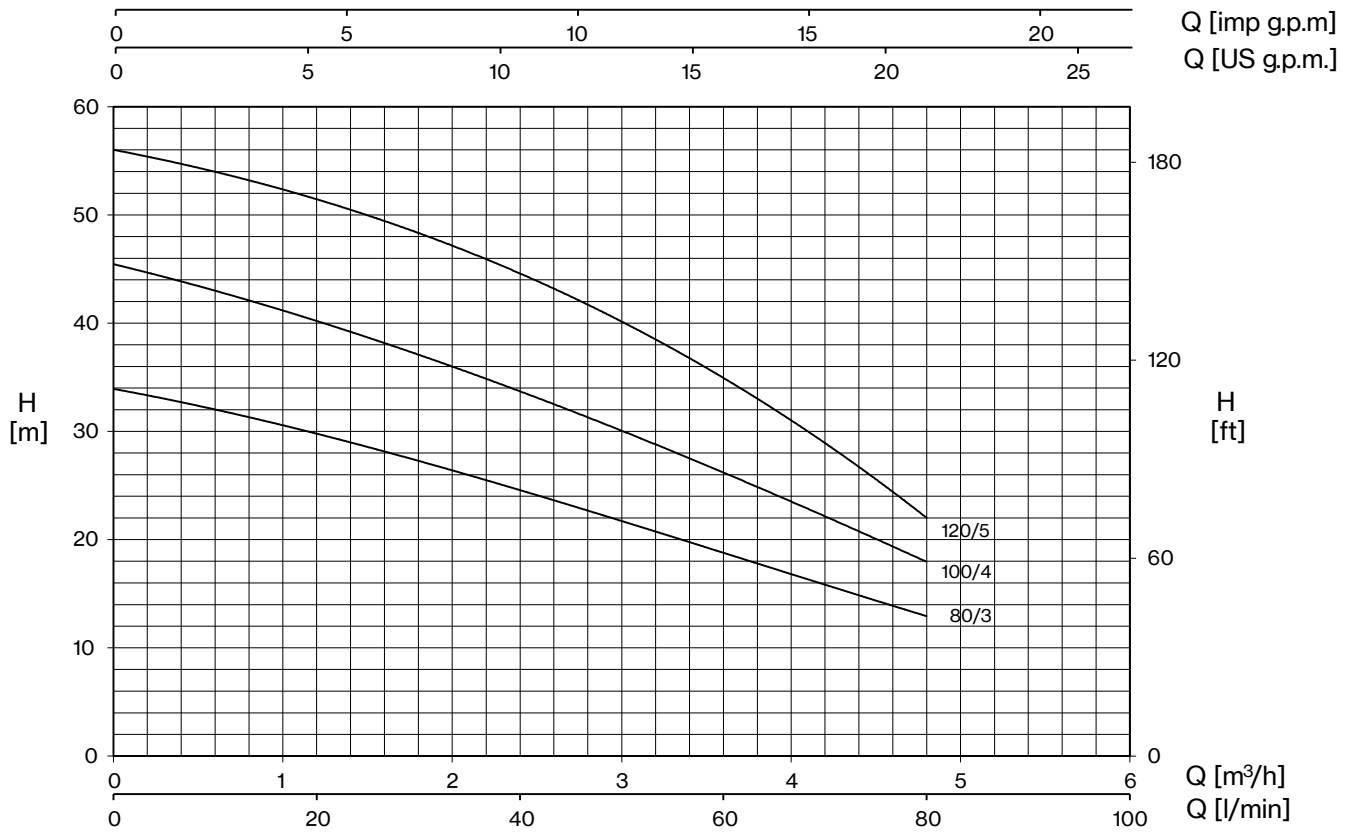
### MP T 100 /4 A



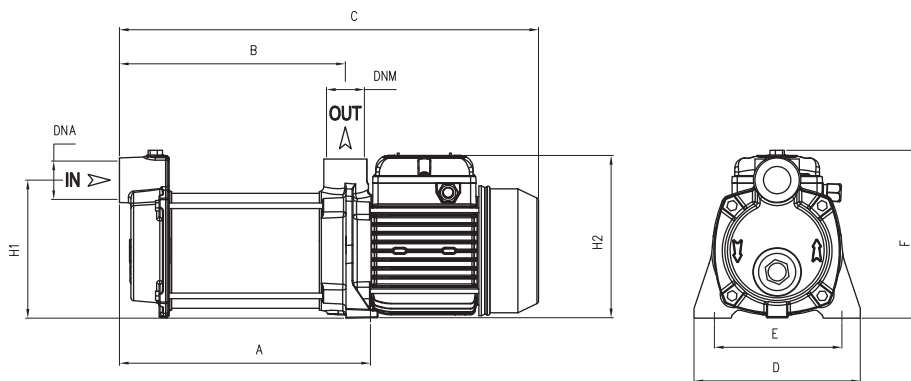
TYPE	LOTS			
	TRUCK		CONTAINER	
	PALLET (cm)	N° pumps	PALLET (cm)	N° pumps
MP/A	80×120×150	48	80×120×190	64



# MP/A



TYPE		P2		P1 (kW)		AMPERE		Q (m³/h - l/min)				
1~	3~					1~	3~	1x230 V 50 Hz	3x400 V 50 Hz	0	1,2	2,4
		0	20	40	60					80		
		HP	kW	1~	3~	H (m)						
MP 80/3 A	MPT 80/3 A	0,8	0,59	0,83	0,88	3,8	1,6	34,0	29,5	25,0	18,5	13,0
MP 100/4 A	MPT 100/4 A	1	0,74	1,07	1,1	5,0	1,9	45,5	40,0	34,0	26,0	18,0
MP 120/5 A	MPT 120/5 A	1,2	0,88	1,27	1,33	6,1	2,3	56	51,5	44,5	35,0	22,0



TYPE	DIMENSIONS (mm)													
	A	B	C	D	E	F	H1	H2	DNA	DNM	I	L	M	
MP 80/3 A	245	224	425	180	140	185	150	175			440	200	215	14
MP 100/4 A	270	240	450	180	140	185	150	175	1" G	1" G	500	200	215	15,5
MP 120/5 A	295	264	475	180	140	185	150	175			500	200	215	16







Multi-stage centrifugal pumps, horizontal and self-priming, particularly suitable for constructing small and medium sized pressurisation systems; able to suck liquids mixed with air.

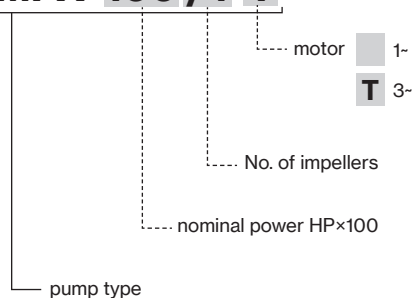
### Construction features

<b>Pump body</b>	stainless steel AISI 304
<b>Motor bracket</b>	aluminum
<b>Impeller</b>	Noryl®
<b>Mechanical seal</b>	ceramic-graphite-NBR
<b>Pump shaft</b>	stainless steel AISI 416
<b>Liquid temperature</b>	0 - 50 °C
<b>Operating pressure</b>	max 8 bar

### Motor

	3~ 230/400V-50Hz
<b>2 poles induction motor</b>	1~ 230V-50Hz (with thermal protection)
<b>Insulation class</b>	F
<b>Protection degree</b>	IPX4

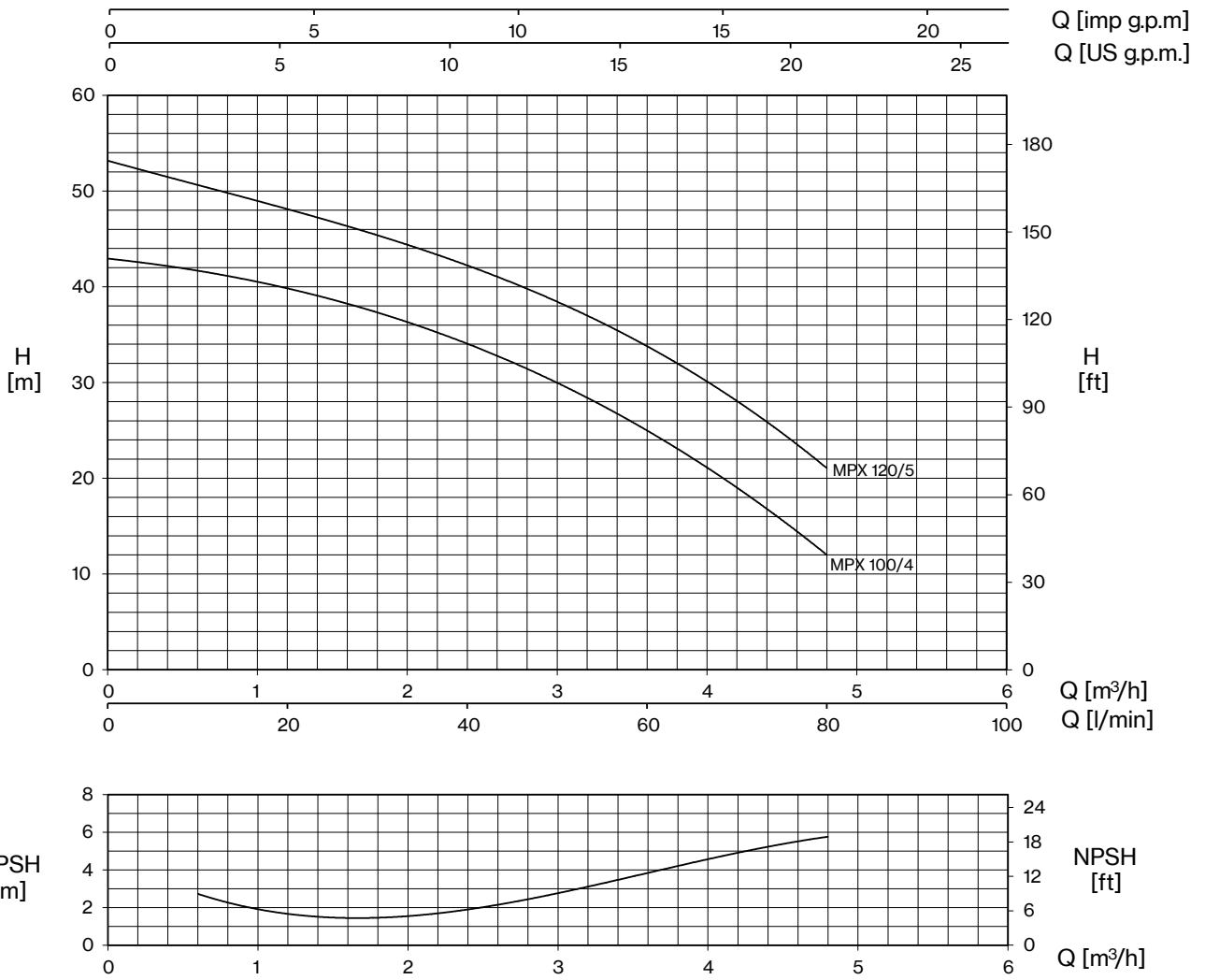
### MPX 100 /4 T



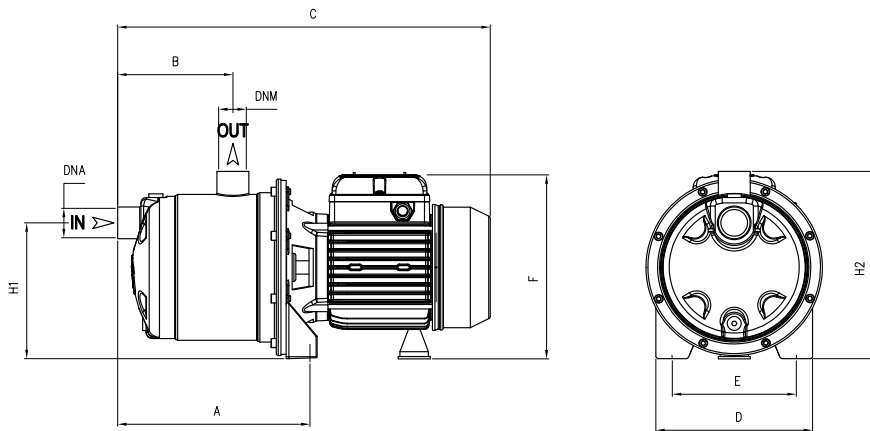
TYPE	LOTS			
	TRUCK		CONTAINER	
	PALLET (cm)	N° pumps	PALLET (cm)	N° pumps
MPX	85×110×170	60	85×110×190	80



# MPX



TYPE		P2		P1 (kW)		AMPERE		Q (m³/h - l/min)					
1~	3~	HP	kW	1~	3~	1~ 1x230 V 50 Hz	3~ 3x400 V 50 Hz	0	0,6	1,2	2,4	3,6	4,8
								0	10	20	40	60	80
		H (m)											
MPX 100/4	MPXT 100/4	1	0,74	1,07	1,1	5,0	1,9	43,0	41,5	40,0	34,0	25,0	12,0
MPX 120/5	MPXT 120/5	1,2	0,88	1,27	1,33	6,1	2,3	53,0	51,0	48,0	42,0	34,0	21,0



TYPE	DIMENSIONS (mm)										M			Kg
	A	B	C	D	E	F	H1	H2	DNA	DNM	I	L	M	
MPX 100/4	208	128	410	175	140	215	153	210	1" G	1" G	430	210	235	11
MPX 120/5	208	128	410	175	140	215	153	210	1" G	1" G	430	210	235	11,5



# MPX (Garden version)

Portable electropumps complete with handle, cable with plug and switch.  
The performances depend on adopted pump type.

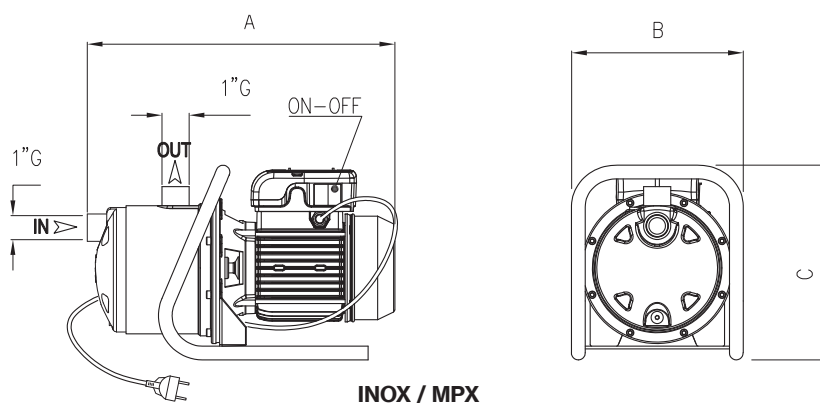


MPX

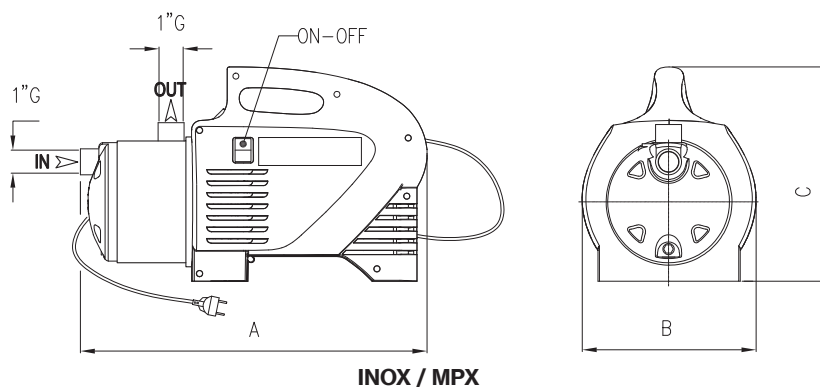


MPX BOX

TYPE	P2		P1 (kW)	Pipe		Performance	
	HP	kW		Suction ("G)	Delivery ("G)	Q (l/min)	H (m)
MPX 100/4	1	0,74	1,07	1	1	10,0-80,0	41,5-12,0
MPX 120/5	1,2	0,88	1,27	1	1	10,0-80,0	51,0-21,0



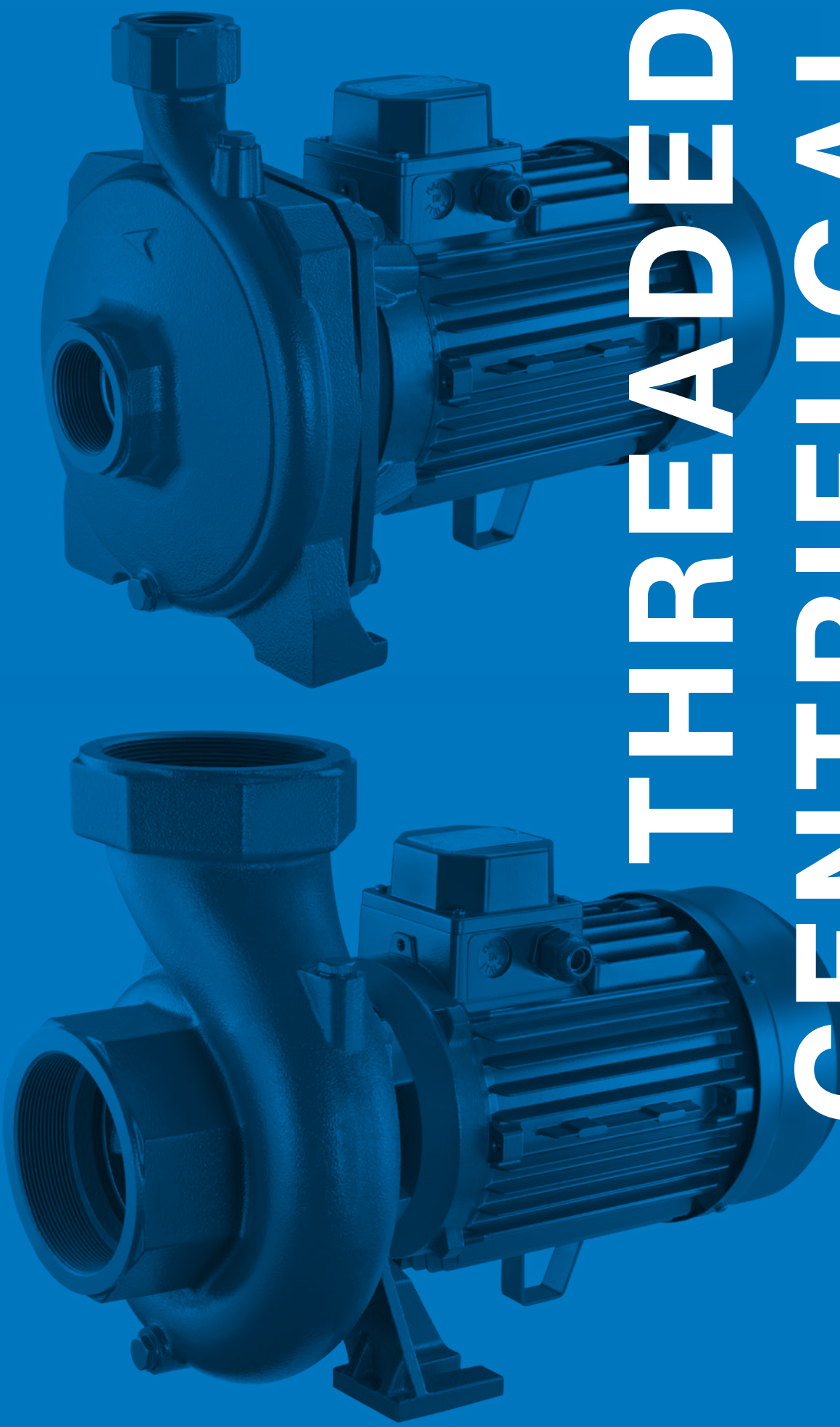
INOX / MPX



INOX / MPX

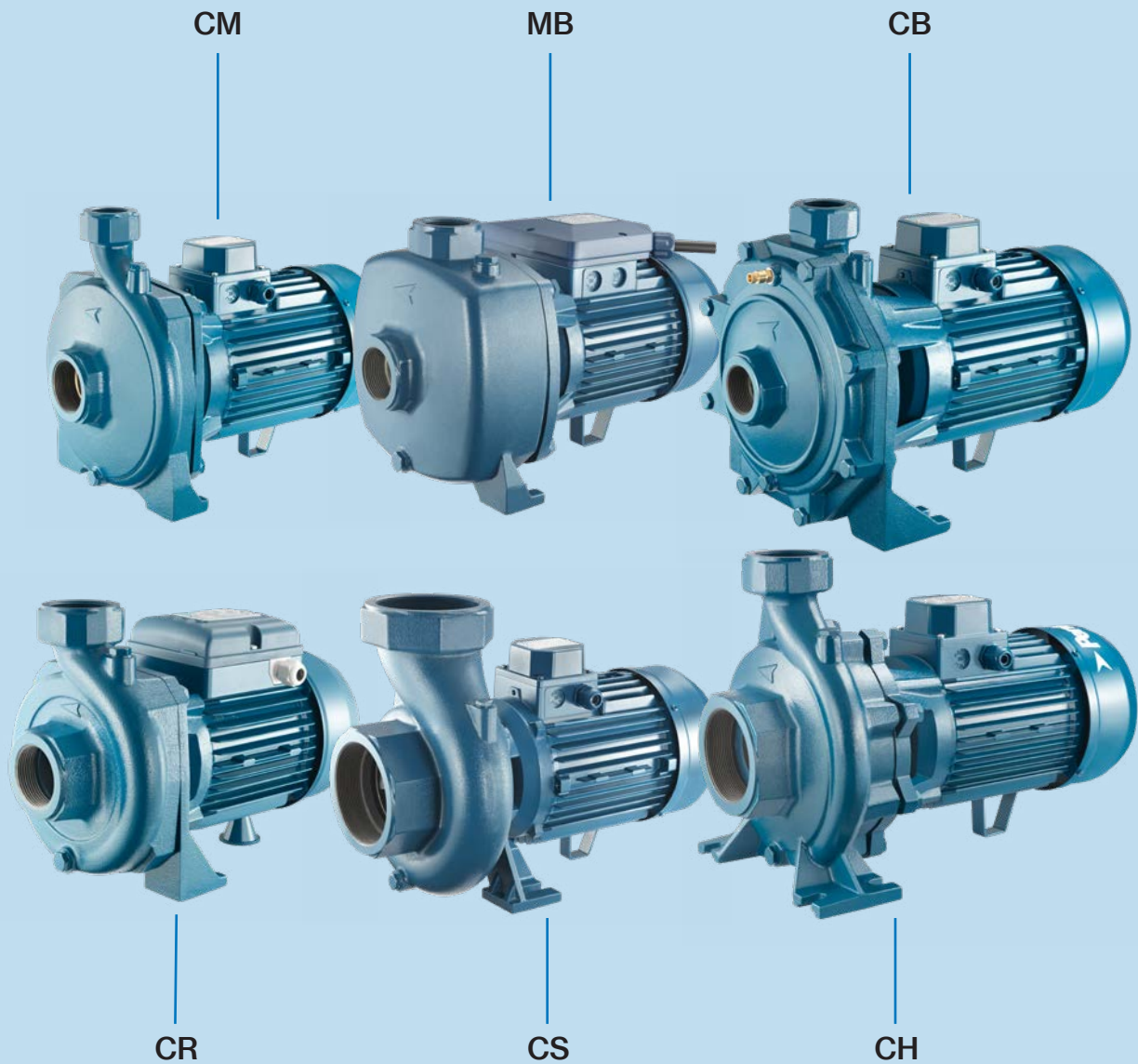
TYPE	DIMENSIONS (mm)		
	A	B	C
MPX 100/4	410	175	285
MPX 120/5	410	175	285
MPX 100/4 BOX	429	209	287





# THREADED CENTRIFUGAL

# THREADED CENTRIFUGAL PUMPS



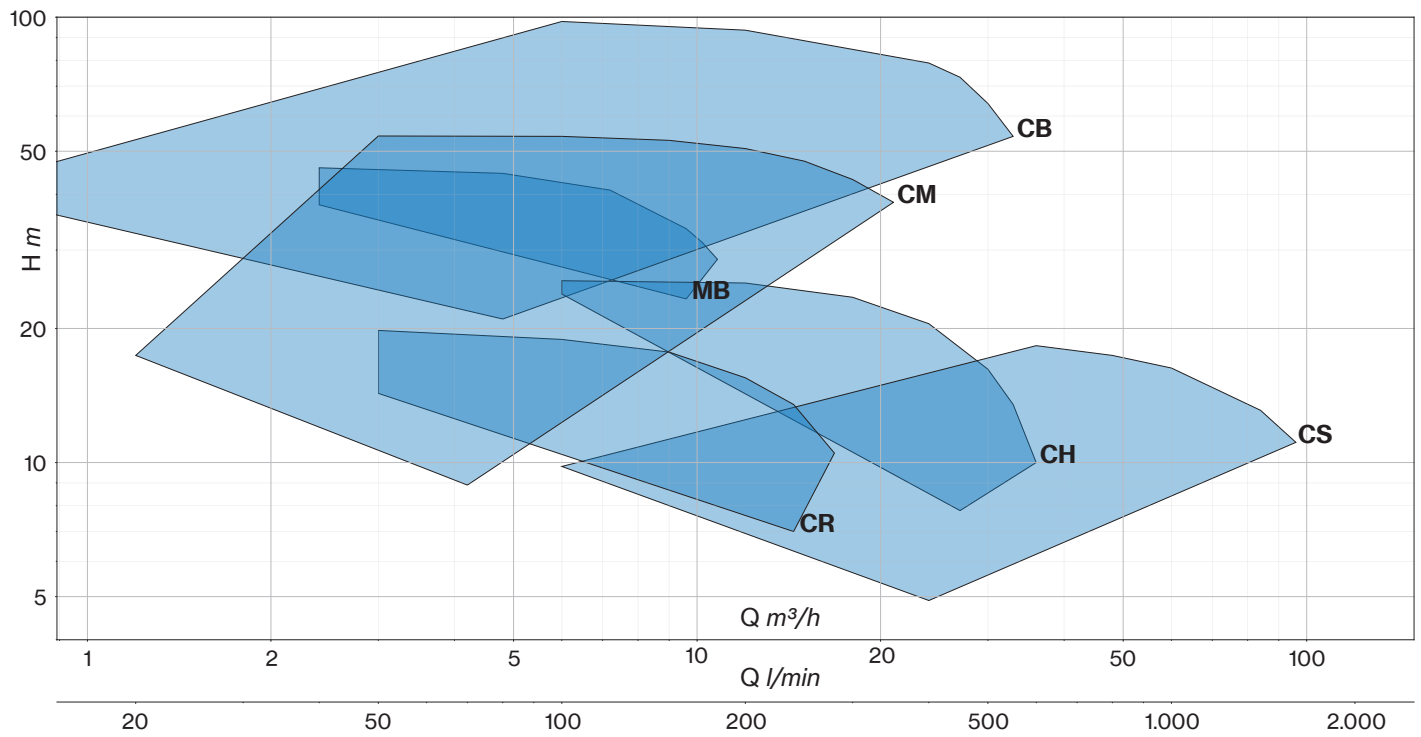
Extremely silent single and double impeller centrifugal pumps, designed for a wide range of applications

## **Applications:**

- Water supply
- Pressurization
- Water circulation systems for heating and air conditioning
- Liquid transfer in industry and horticulture



# THREADED CENTRIFUGAL PUMPS





Single-impeller centrifugal pumps, extremely quiet, suitable for domestic, civil and industrial applications. The pumps guarantee constant pressure at the variation of flow rates.

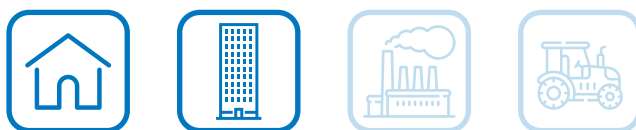
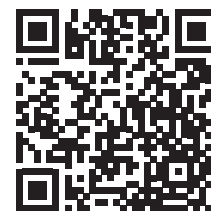
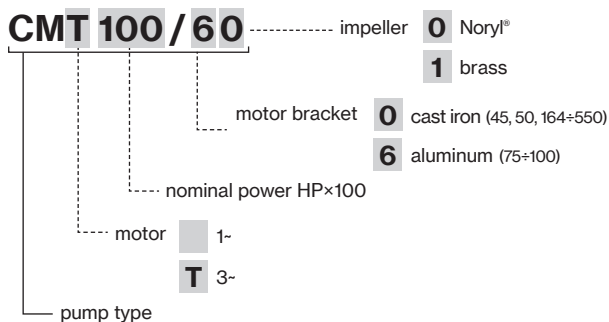
### Construction features

<b>Pump body</b>	cast iron
<b>Motor bracket</b>	cast iron (45, 50, 164÷550) aluminum (75-100)
<b>Impeller</b>	Noryl® (45) Noryl® or brass (50÷314) brass (400-550)
<b>Mechanical seal</b>	ceramic-graphite-NBR
<b>Motor shaft</b>	stainless steel AISI 416 (45÷100) stainless steel AISI 303 (164÷550)
<b>Liquid temperature</b>	Noryl® impeller: 0 - 50 °C brass impeller: 0 - 90 °C
<b>Operating pressure</b>	max 6 bar (45÷100) max 8 bar (164÷550)

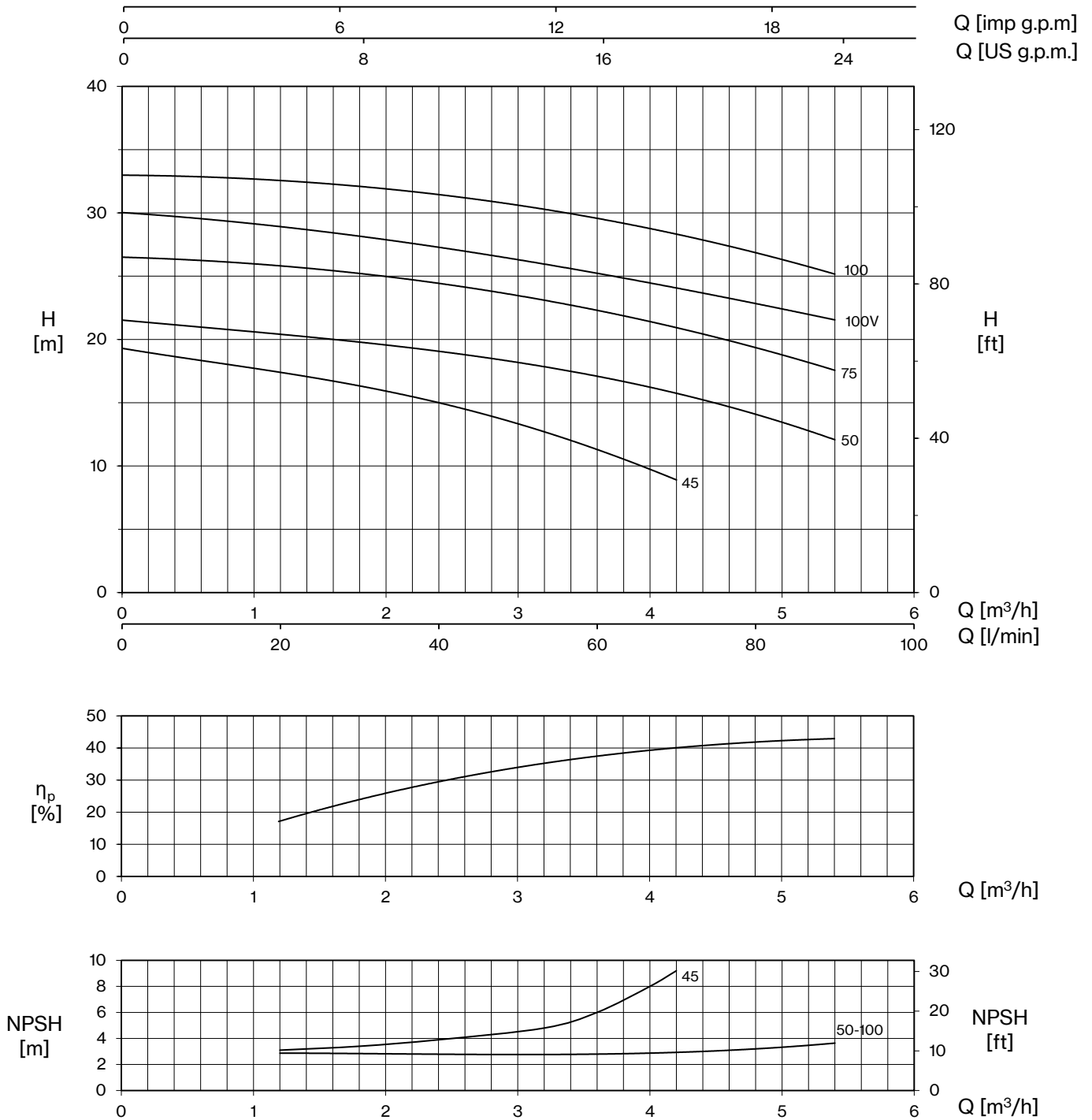
### Motor

	3- 230/400V - 50Hz
<b>2 Poles induction motor</b>	1- 230V - 50Hz (with thermal protection up to MEC 80)
<b>Insulation class</b>	F
<b>Protection degree</b>	IPX4

TYPE	LOTS			
	TRUCK		CONTAINER	
	PALLET (cm)	N° pumps	PALLET (cm)	N° pumps
<b>CM 45-50</b>	80×120×145	102	80×120×190	136
<b>CM 75-100</b>	85×110×145	65	85×110×195	91
<b>CM 164÷314</b>	85×110×140	40	85×110×170	60
<b>CM 314 (1-)</b>	85×110×150	24	85×110×180	30
<b>CM 400-550</b>	85×110×150	24	85×110×180	30



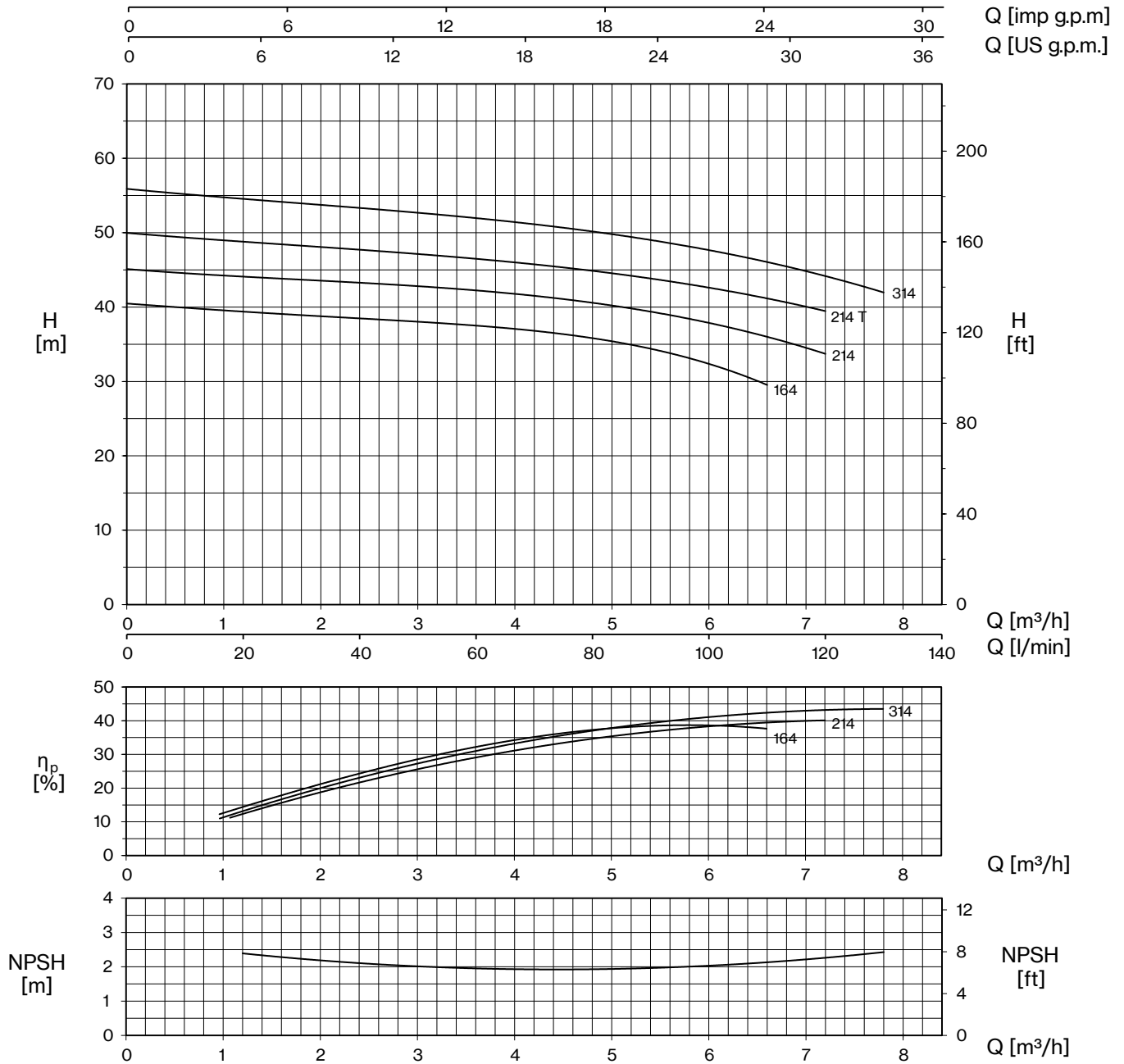




TYPE		P2		P1 (kW)		AMPERE		Q (m³/h - l/min)						
1~	3~	HP	kW	1~	3~	1x230 V 50 Hz	3x400 V 50 Hz	0	1,2	2,4	3,6	4,2	4,8	5,4
								0	20	40	60	70	80	90
								H (m)						
CM 45	CMT 45	0,4	0,3	0,51	0,56	2,3	1,0	19,3	17,4	15,0	11,3	8,9		
CM 50	CMT 50	0,5	0,37	0,59	0,65	2,8	1,1	21,5	20,5	19,0	17,0	15,8	14,2	12,0
CM 75	CMT 75	0,8	0,59	0,9	0,94	4,5	1,7	26,5	25,8	24,5	22,2	20,9	19,5	17,5
CM 100 V	-	1	0,74	1,05	-	4,6	-	30,0	29,0	27,2	25,2	24,1	22,9	21,5
CM 100	CMT 100	1	0,74	1,16	1,17	5,7	2,0	33,0	32,5	31,5	29,6	28,3	26,8	25,2

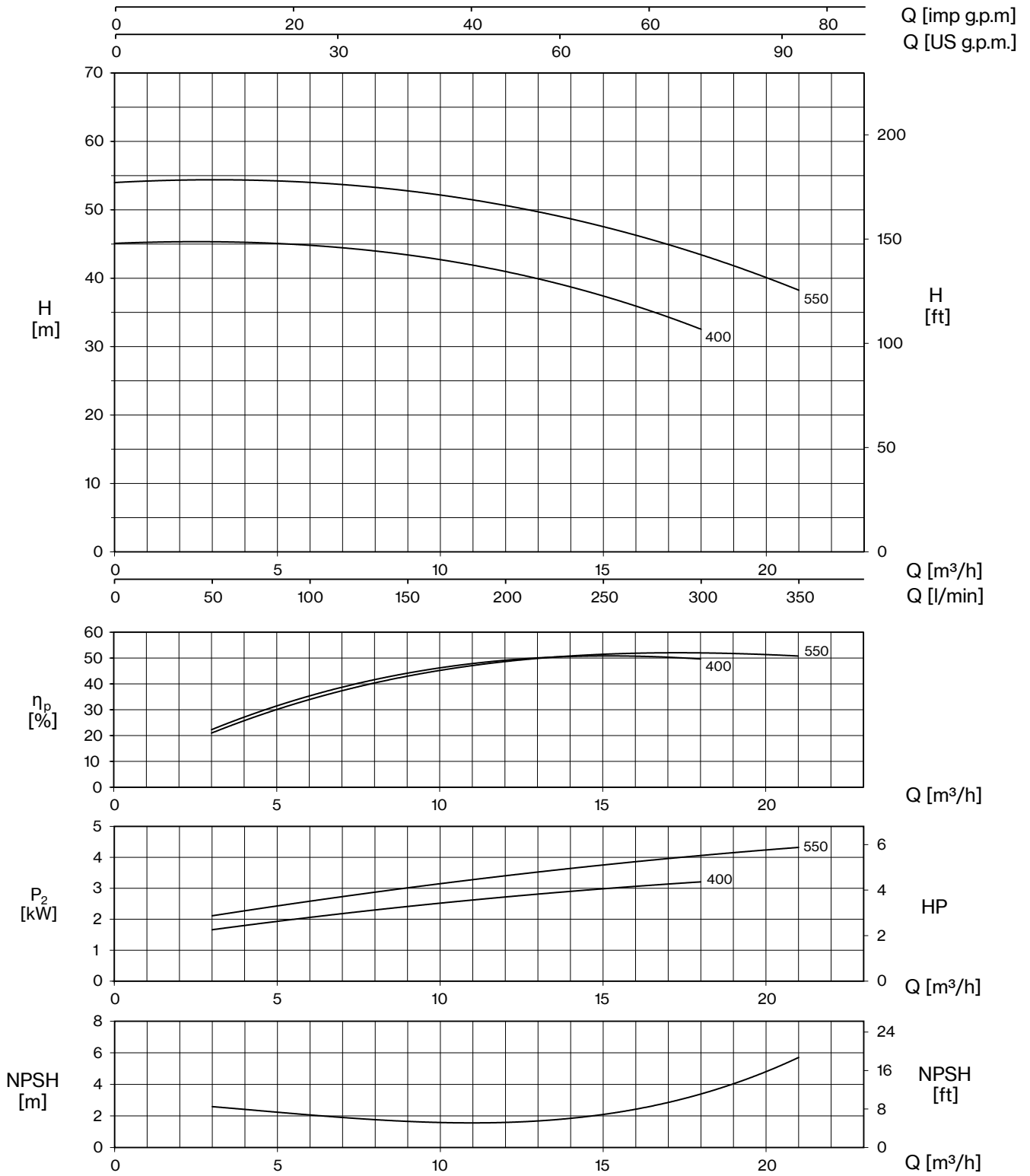


# CM



TYPE		P2		P1 (kW)		AMPERE		Q (m³/h - l/min)								
1~	3~					1~	3~	1x230 V 50 Hz	3x400 V 50 Hz	0	1,2	2,4	3,6	4,8	5,4	6,6
		0	20	40	60					80	90	110	120	130		
		HP	kW	1~	3~	H (m)										
CM 164	CMT 164	1,5	1,1	1,9	1,8	8,5	3,4	40,5	39,3	38,6	37,5	35,6	34,6	29,5		
CM 214	-	2	1,5	2,2	-	10,3	-	45,1	44,1	43,3	42,3	40,5	39,2	36,4	33,5	
-	CMT 214	2	1,5	-	2,43	-	4,9	50,0	48,7	47,8	46,5	44,9	43,7	41,3	39,4	
CM 314	CMT 314	3	2,2	2,85	2,67	13,5	5,1	55,9	54,5	53,4	52,0	50,1	48,9	46,2	44,2	41,9

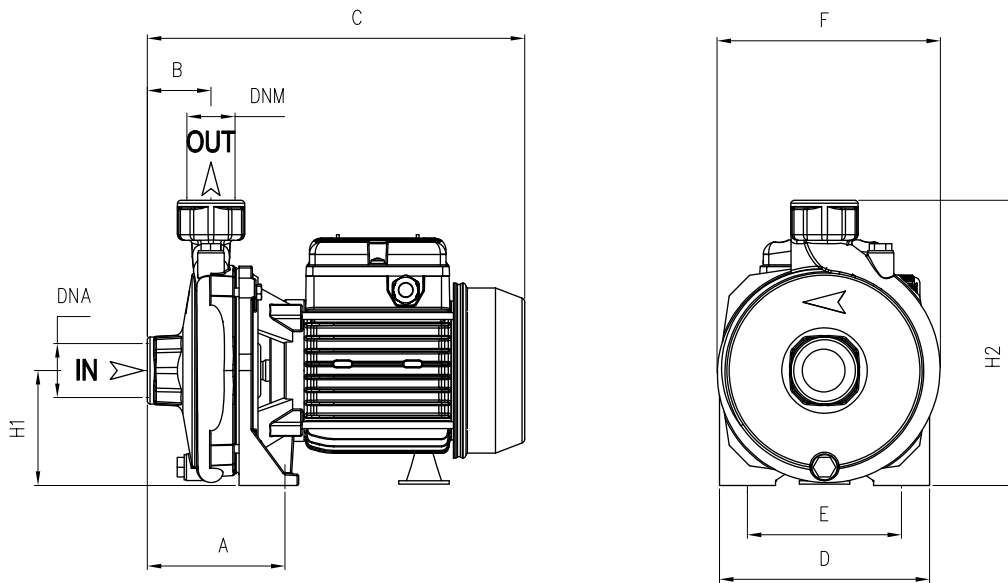


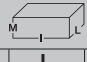



TYPE		P2		P1 (kW)		AMPERE		Q (m <sup>3</sup> /h - l/min)							
1~	3~	HP	kW	1~	3~	1~ 1x230 V 50 Hz	3~ 3x400 V 50 Hz	0	3	6	9	12	15	18	21
								0	50	100	150	200	250	300	350
								H (m)							
CM 400	CMT 400	4	3	3,6	3,7	16,0	6,7	45,1	45,2	44,9	43,4	40,9	37,4	32,5	
-	CMT 550	5,5	4	-	4,9	-	9,0	54,1	54,1	54,0	52,9	50,7	47,5	43,2	38,4

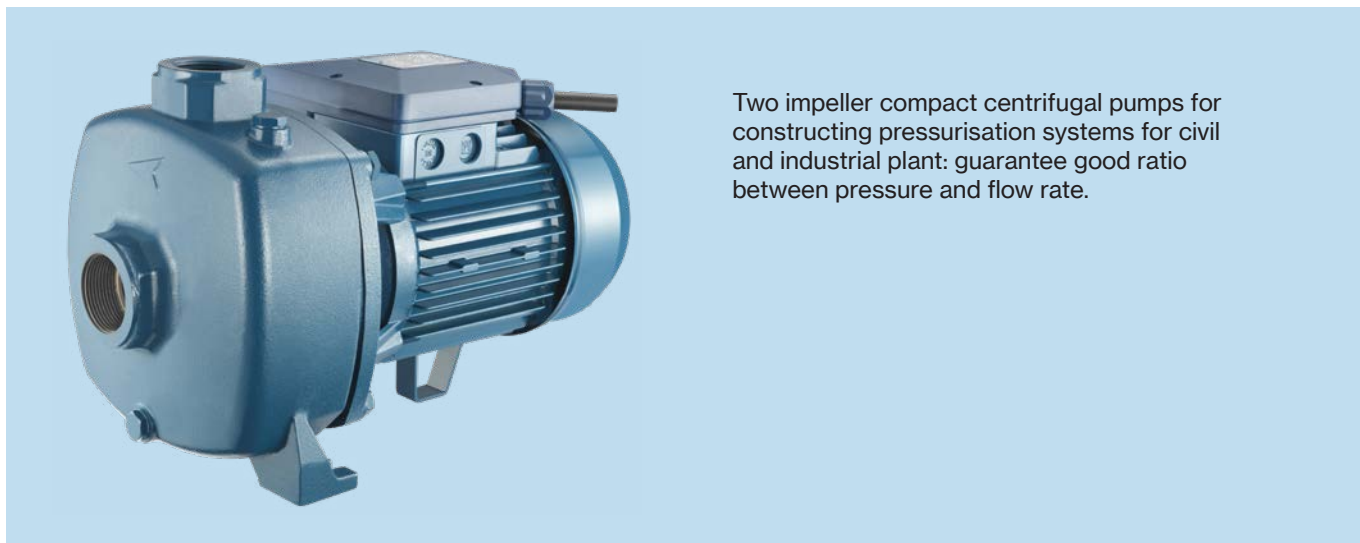


# CM



TYPE	DIMENSIONS (mm)														
	A	B	C	D	E	F	H1	H2	DNA	DNM	I	L	M	kg	
CM 45	95	45,5	265	150	110	160	82	202			290	175	225	8,5	
CM 50	95	45,5	265	150	110	160	82	202			290	170	230	9,5	
CM 75	110	46,5	300	180	140	185	97	234	1" G	1" G	325	200	265	13,5	T 13
CM 100 V	110	46,5	300	180	140	185	97	234			325	200	265	14	T 13,5
CM 100	110	46,5	300	180	140	185	97	234			325	200	265	15	T 14,5
CM 164	117	46,5	348	220	180	225	115	285			370	240	315	23	T 22
CM 214	117	46,5	348	220	180	225	115	285	1" ¼ G	1" G	370	240	315	24	T 23
CM 314	117	46,5	M 410	220	180	225	115	285			370	240	315	29	T 23,5
CM 400	108	54	460	240	190	250	133	323	2" G	1" ¼ G	480	255	342	46	T 41,5
CMT 550	108	54	460	240	190	250	133	323			480	255	342	45,5	

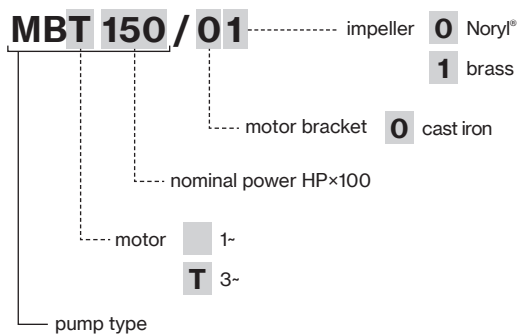




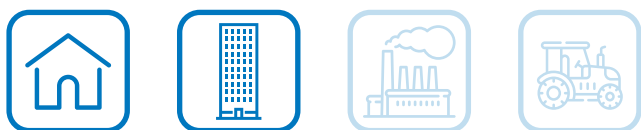
Two impeller compact centrifugal pumps for constructing pressurisation systems for civil and industrial plant: guarantee good ratio between pressure and flow rate.

Construction features	
<b>Pump body</b>	cast iron
<b>Motor bracket</b>	cast iron
<b>Impeller</b>	Noryl® or brass
<b>Mechanical seal</b>	ceramic-graphite-NBR
<b>Motor shaft</b>	stainless steel AISI 303
<b>Liquid temperature</b>	0 - 50 °C
<b>Operating pressure</b>	max 8 bar

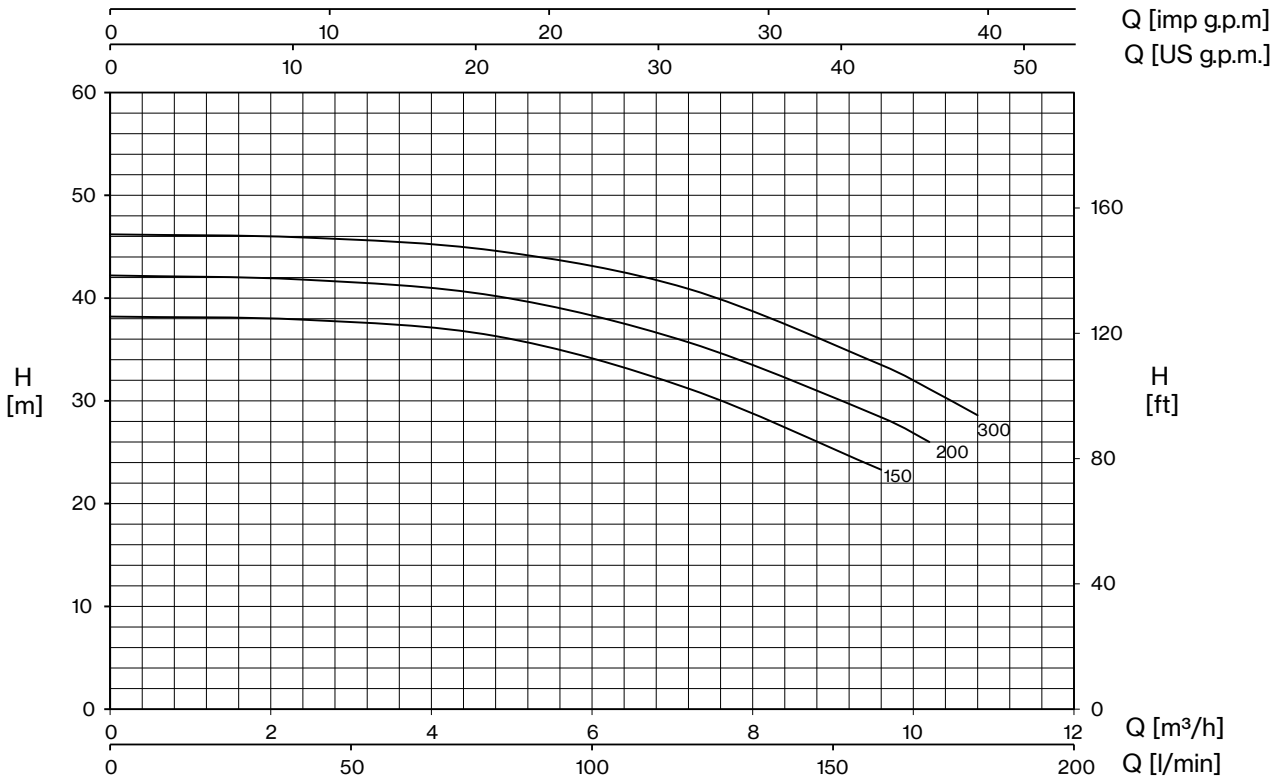
Motor	
	3~ 230/400V - 50Hz
<b>2 Poles induction motor</b>	1~ 230V - 50Hz (with thermal protection)
<b>Insulation class</b>	F
<b>Protection degree</b>	IPX4



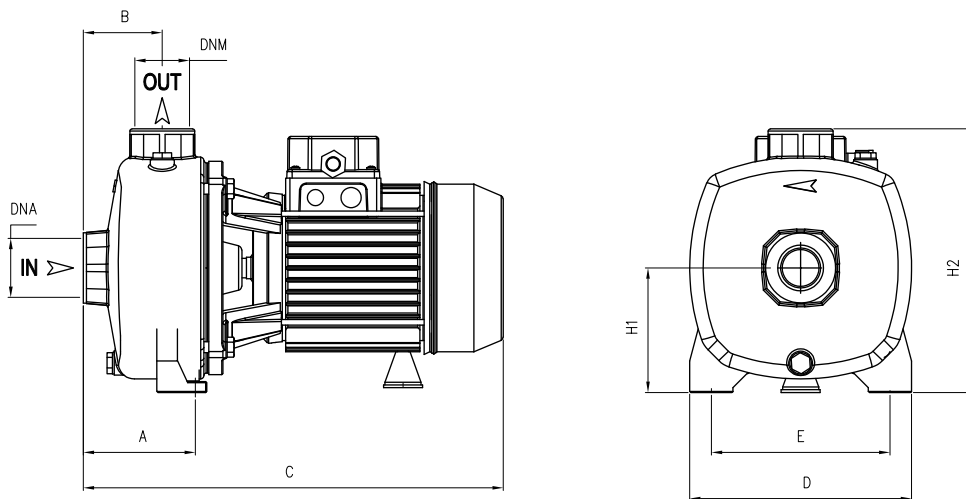
TYPE	LOTS			
	TRUCK		CONTAINER	
	PALLET (cm)	N° pumps	PALLET (cm)	N° pumps
<b>MB</b>	85×110×130	40	85×110×190	60



# MB



TYPE		P2		P1 (kW)		AMPERE		Q (m³/h - l/min)						
1~	3~	HP	kW	1~	3~	1~	3~	0	2,4	4,8	7,2	9,6	10,2	10,8
								0	40	80	120	160	170	180
						1x230 V 50 Hz	3x400 V 50 Hz	H (m)						
<b>MB 150</b>	<b>MBT 150</b>	1,5	1,1	1,6	1,5	7,2	3,1	38,2	37,9	36,3	31,2	23,3		
<b>MB 200</b>	<b>MBT 200</b>	2	1,5	1,85	1,75	8,4	3,4	42,2	41,8	40,2	35,7	28,4	26,0	
<b>MB 300</b>	<b>MBT 300</b>	3	2,2	2,15	2,05	9,7	4,3	46,2	45,9	44,6	40,9	33,5	31,2	28,6



TYPE	DIMENSIONS (mm)								M			Kg		
	A	B	C	D	E	H1	H2	DNA	DNM	I	L	M		
<b>MB 150</b>	108	73	385	205	165	115	242			405	225	295	22	T 21
<b>MB 200</b>	108	73	385	205	165	115	242	1" ½ G	1" ¼ G	405	225	295	22,5	T 21,5
<b>MB 300</b>	108	73	385	205	165	115	242			405	225	295	23,5	T 22,5





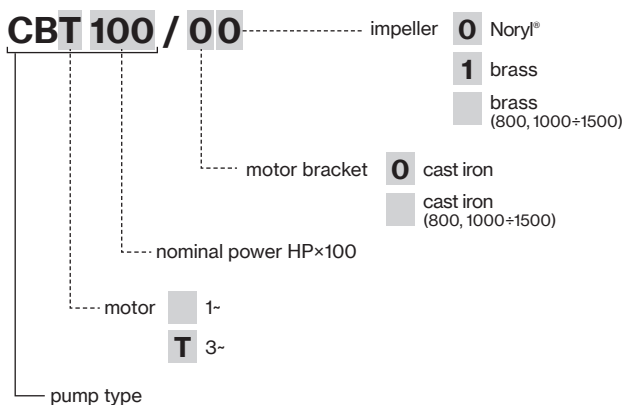
Two impeller centrifugal pumps for constructing pressurisation systems for civil and industrial plant; the two counter-posed impellers guarantee high head and flow rate.

### Construction features

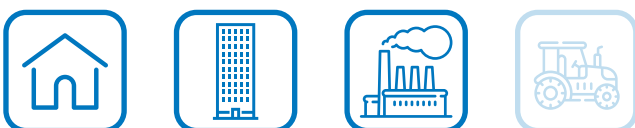
<b>Pump body</b>	cast iron
<b>Motor bracket</b>	cast iron
<b>Impeller</b>	Noryl® or brass (100÷900) brass (800÷1500)
<b>Mechanical seal</b>	ceramic-graphite-NBR
<b>Motor shaft</b>	stainless steel AISI 303 stainless steel AISI 416 (100)
<b>Liquid temperature</b>	Noryl® impeller: 0 - 50 °C brass impeller: 0 - 90 °C
<b>Operating pressure</b>	max 6 bar (100) max 11 bar (160÷1500)

### Motor

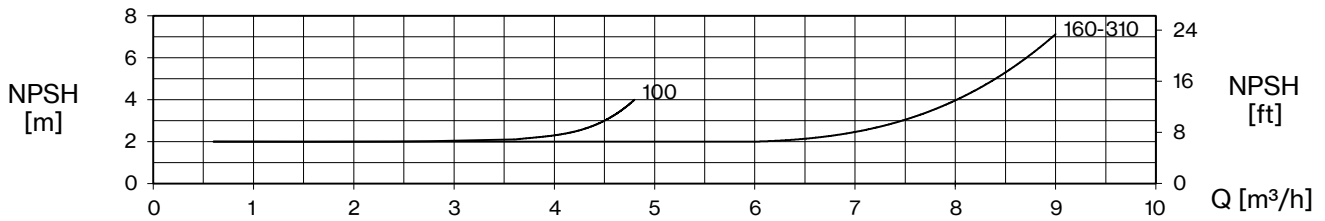
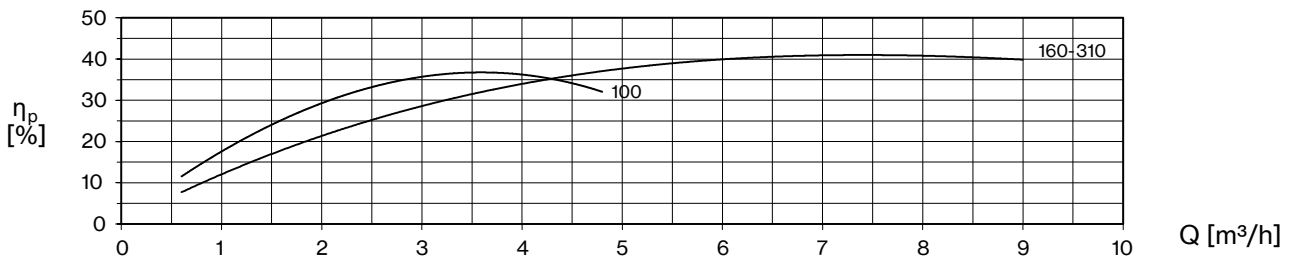
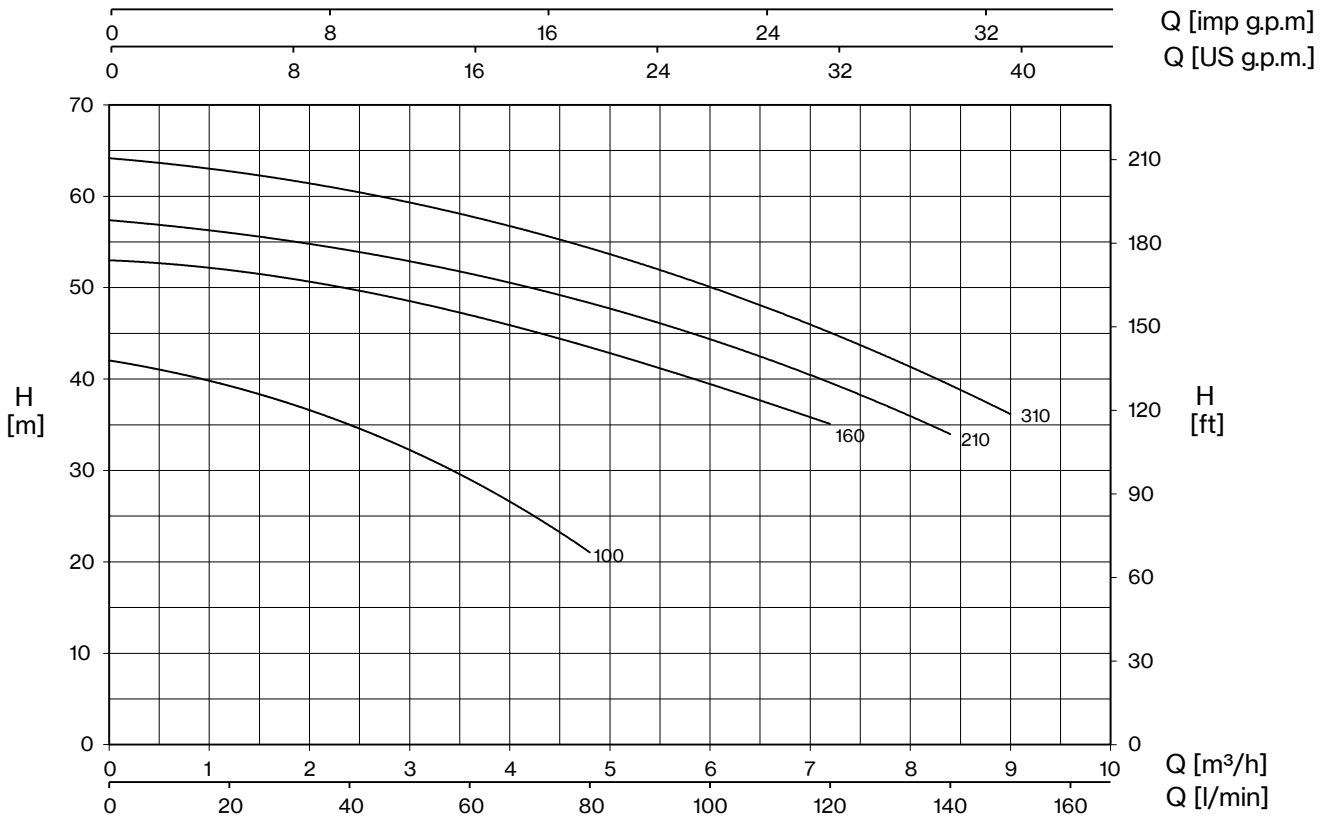
	3~ 230/400V - 50Hz P ≤ 4kW 3~ 400/690V - 50Hz P > 4kW
<b>2 Poles induction motor</b>	1~ 230V - 50Hz (with thermal protection up to MEC 80)
<b>Insulation class</b>	F
<b>Protection degree</b>	IPX4 IPX5 (800÷1500)



TYPE	LOTS			
	TRUCK		CONTAINER	
	PALLET (cm)	N° pumps	PALLET (cm)	N° pumps
<b>CB 100</b>	90×110×145	65	90×110×195	91
<b>CB 160÷CBT 310</b>	85×110×130	40	85×110×190	60
<b>CB 310</b>	85×110×150	24	85×110×180	30
<b>CB 400÷900</b>	80×120×150	24	80×120×180	30
<b>CBT 800÷1500</b>	100×120×140	18	100×120×185	24



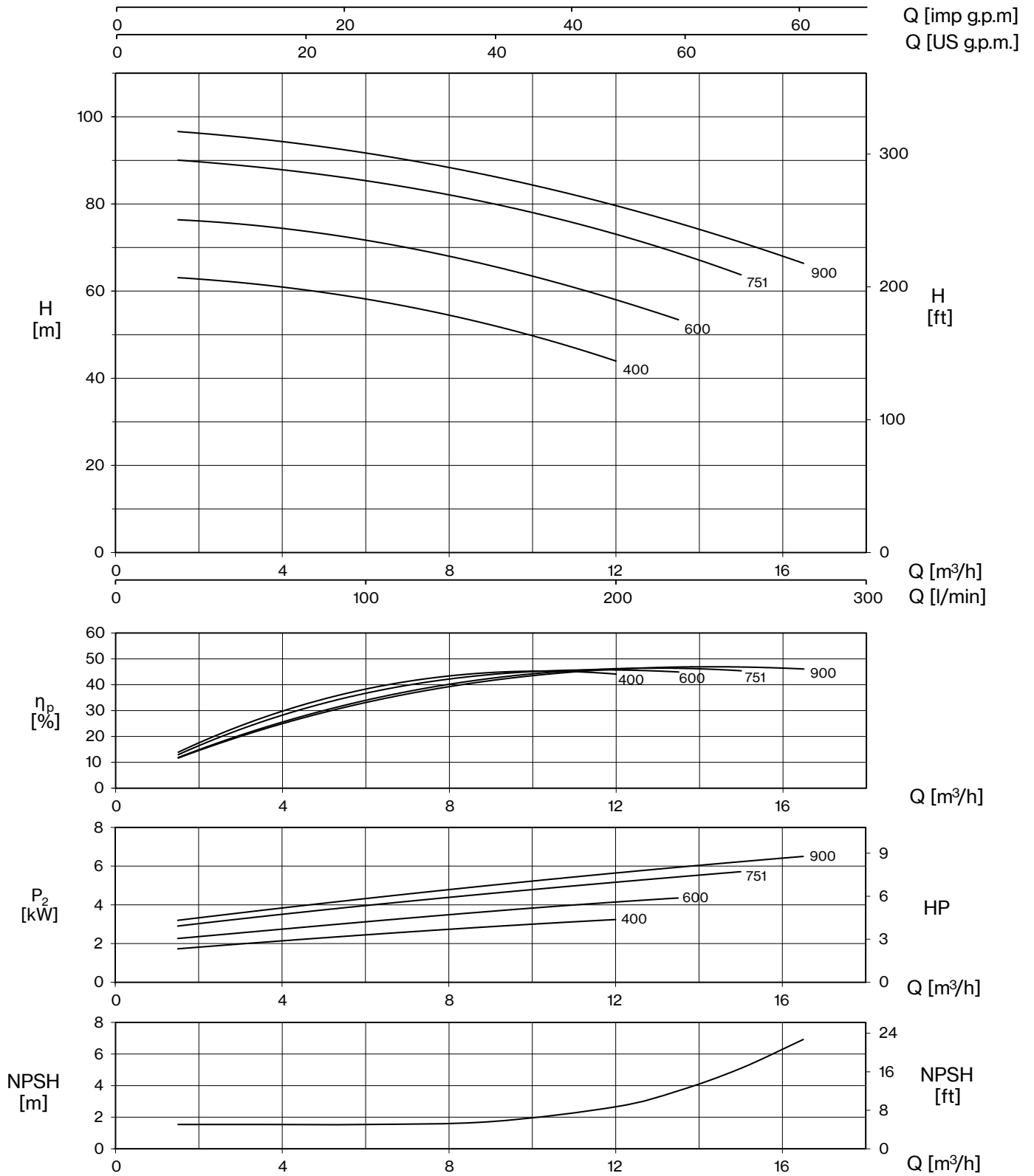
# CB



TYPE		P2		P1 (kW)		AMPERE		Q (m³/h - l/min)											
1~	3~	HP	kW	1~	3~	1x230 V 50 Hz	3x400 V 50 Hz	0	0,6	1,2	1,8	2,4	3,6	4,8	6	7,2	8,4	9	
								0	10	20	30	40	60	80	100	120	140	150	
								H (m)											
CB 100	CBT 100	1	0,74	1,17	1,15	5,4	2,4	42,0	40,8	39,4	37,4	34,7	29,2	21,0					
CB 160	CBT 160	1,5	1,1	2,3	2,2	10,2	4,1	53,0	52,5	52,0	51,0	50,0	46,9	43,3	39,7	35,0			
CB 210	CBT 210	2	1,5	2,6	2,45	11,5	4,8	57,3	56,9	56,0	55,1	54,0	51,5	48,4	44,4	39,5	34,0		
CB 310	CBT 310	3	2,2	2,9	2,8	13,2	5,2	64,0	63,5	63,0	61,9	60,6	57,7	54,1	50,0	45,4	39,4	36,0	



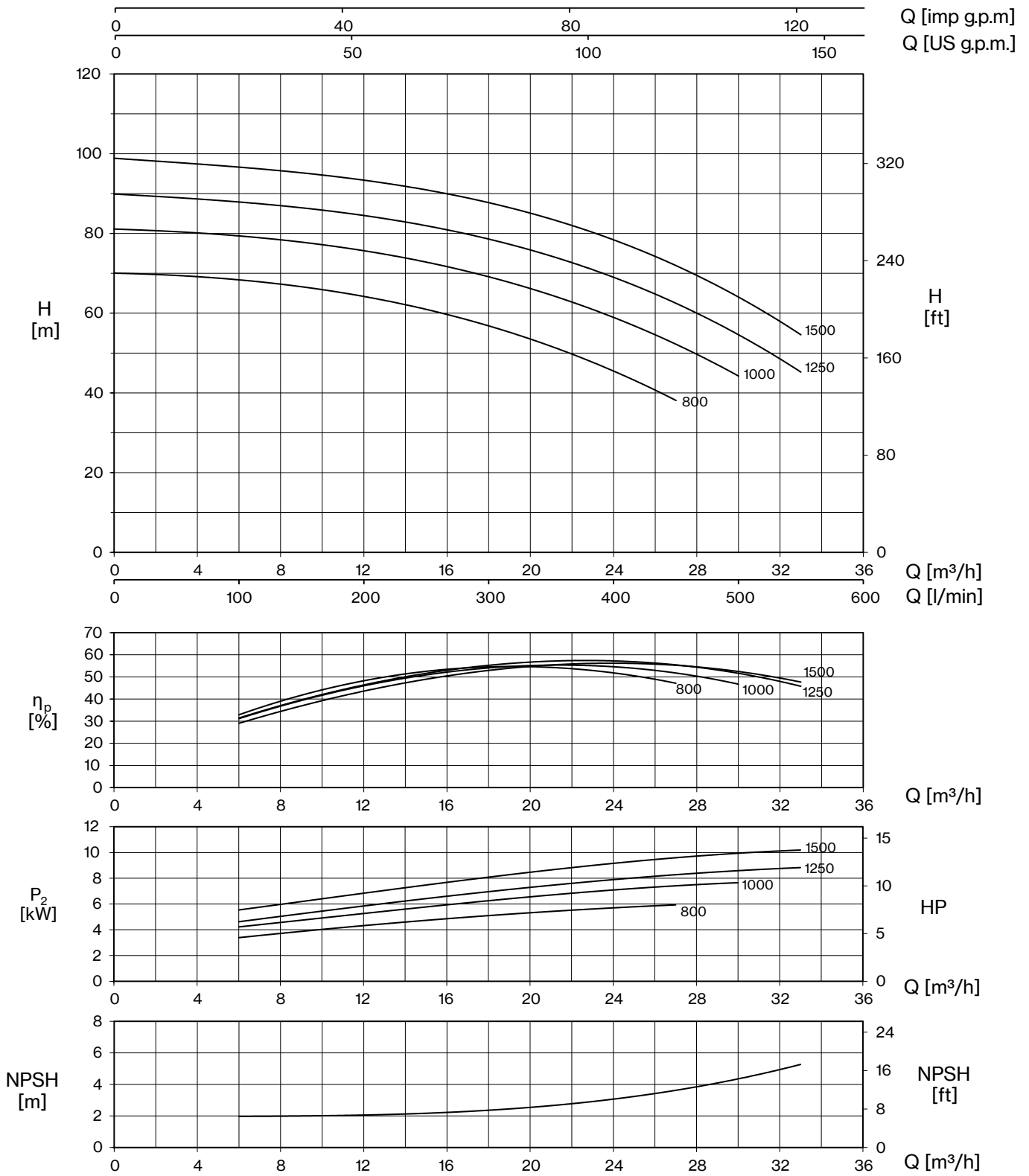




TYPE		P2		P1 (kW)		AMPERE		Q (m³/h - l/min)												
1~	3~					1~	3~	0	1,5	3,0	4,5	6,0	7,5	9,0	10,5	12	13,5	15,0	16,5	
						1x230 V 50 Hz	3x400 V 50 Hz	0	25	50	75	100	125	150	175	200	225	250	275	
						H (m)														
CB 400	CBT 400	4	3,0	3,7	3,8	16,4	6,7	63,6	63,1	62,0	60,3	58,2	55,5	52,3	48,4	43,9				
CB 600	CBT 600	5,5	4,0	5,2	5,0	23,3	9,1	76,9	76,4	75,4	73,8	71,7	69,0	65,9	62,1	58,0	53,4			
-	CBT 751	7,5	5,5	-	6,5	-	11,5	90,7	90,0	88,9	87,3	85,3	82,9	80,1	76,8	73,1	68,8	63,7		
-	CBT 900	10	7,5	-	7,3	-	13,3	97,5	96,6	95,4	93,7	91,7	89,2	86,5	83,3	79,8	75,2	71,2	66,4	

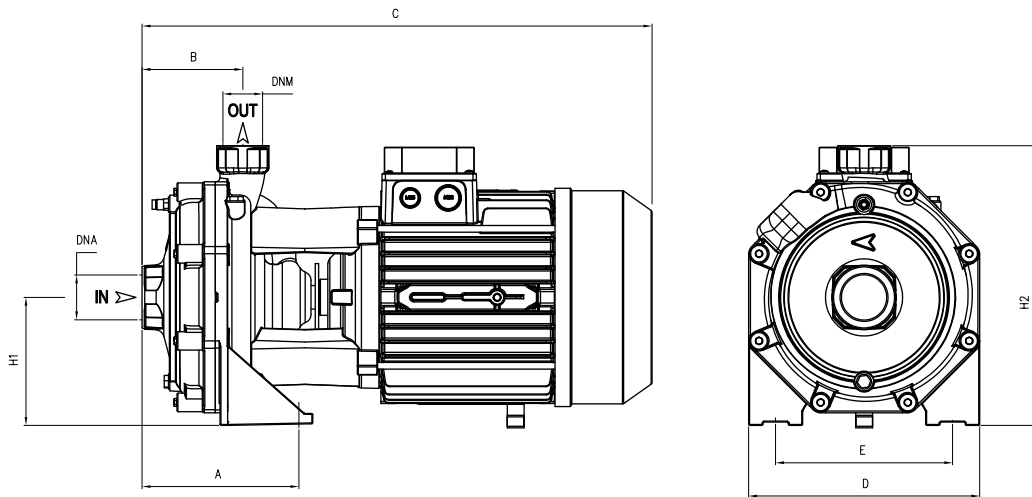




# CB



TYPE	P2		P1 (kW)	AMPERE 3~ 3x400 V 50 Hz	Q (m³/h - l/min)							
					0	6	12	18	24	27	30	33
	HP	kW	3~	H (m)								
3~					0	100	200	300	400	450	500	550
<b>CBT 800</b>	7,5	5,5	6,7	11,1	70,0	68,5	63,9	57,1	45,3	38,2		
<b>CBT 1000</b>	10	7,5	8,5	13,9	80,7	80,4	75,0	68,5	59,7	52,6	43,7	
<b>CBT 1250</b>	12,5	9,2	9,8	16,3	89,5	88,8	84,1	77,7	69,7	63,0	54,2	45,1
<b>CBT 1500</b>	15	11,0	11,2	18,6	98,3	97,8	93,5	85,7	78,9	73,3	64,0	54,0





TYPE	DIMENSIONS (mm)													
	A	B	C	D	E	H1	H2	DNA	DNM	I	L	M	kg	T
CB 100	122	72	328	180	140	98	228	1" G	1" G	350	195	265	15,5	T 15
CB 160	115	82	385	210	170	110	265	1" ¼ G		405	225	295	23,5	T 22,5
CB 210	115	82	385	210	170	110	265			405	225	295	24,5	T 23,5
CB 310	115	82	385	210	170	110	265			405	225	295	29,5	T 24,5
CB 400	145	95,5	498	266	212	135	305	1" ½ G	1" ¼ G	553	274	318	48	T 44
CB 600	145	95,5	498	266	212	135	305			553	274	318	56,5	T 48
CBT 751	145	95,5	532	266	212	135	305			553	274	318	56	
CBT 900	145	95,5	532	266	212	135	305			553	274	318	62	
CBT 800	190	120	605	275	210	150	330	2" G	1" ¼ G	675	390	300	78	
CBT 1000	190	120	605	275	210	150	330			675	390	300	84	
CBT 1250	190	120	645	275	210	150	330			675	390	300	91,5	
CBT 1500	190	120	645	275	210	150	330			675	390	300	95,5	



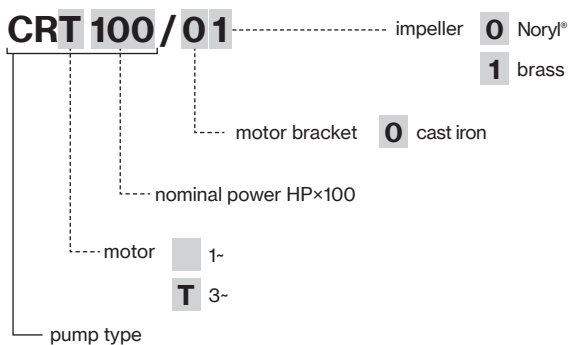
Medium delivery centrifugal pumps for agricultural applications. Equipped with an open impeller that allows the pumping of non-clean liquids, guaranteeing the free passage of small solids (Ø max. 10 mm).

### Construction features

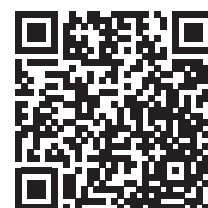
<b>Pump body</b>	cast iron
<b>Motor bracket</b>	cast iron
<b>Impeller</b>	Noryl® or brass
<b>Mechanical seal</b>	ceramic-graphite-NBR
<b>Motor shaft</b>	stainless steel AISI 416
<b>Liquid temperature</b>	Noryl® impeller: 0 - 50 °C brass impeller: 0 - 90 °C
<b>Operating pressure</b>	max 6 bar

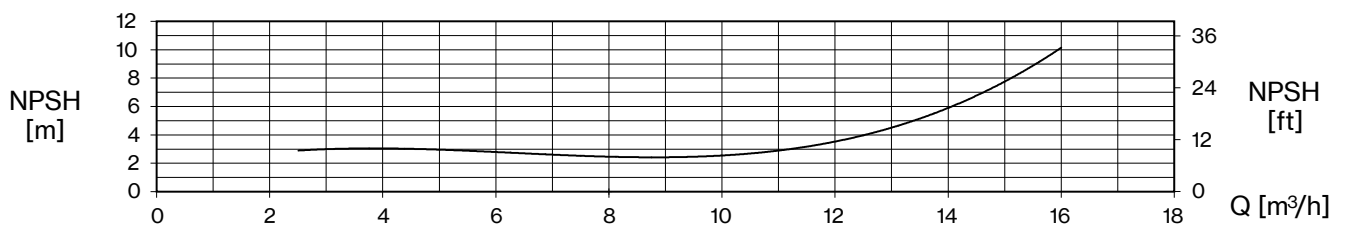
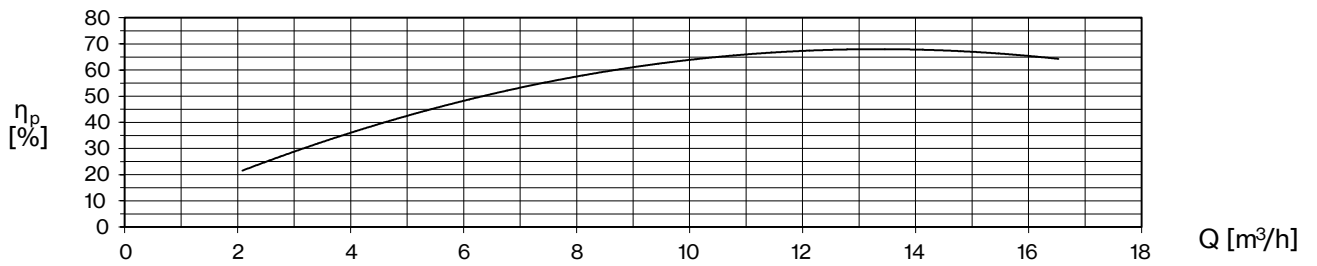
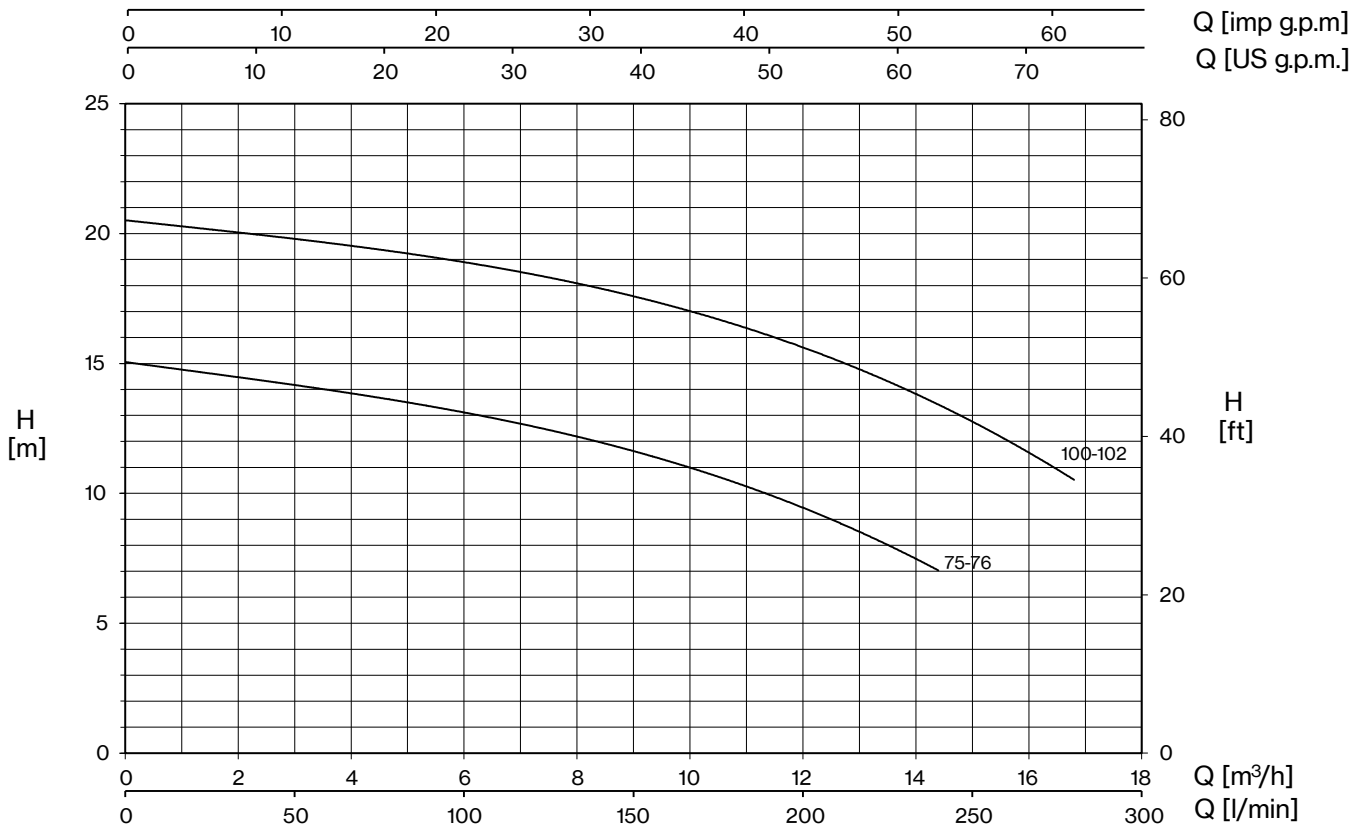
### Motor

	3~ 230/400V - 50Hz
<b>2 Poles induction motor</b>	1~ 230V - 50Hz (with thermal protection)
<b>Insulation class</b>	F
<b>Protection degree</b>	IPX4



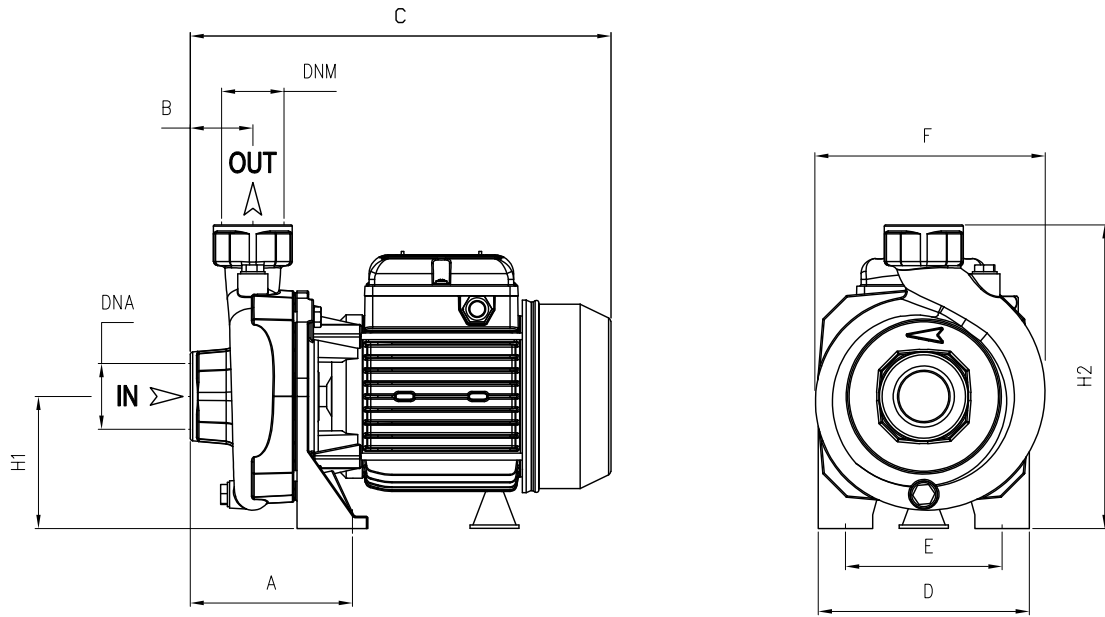
TYPE	LOTS			
	TRUCK		CONTAINER	
	PALLET (cm)	N° pumps	PALLET (cm)	N° pumps
<b>CR</b>	85×110×145	65	85×110×195	91







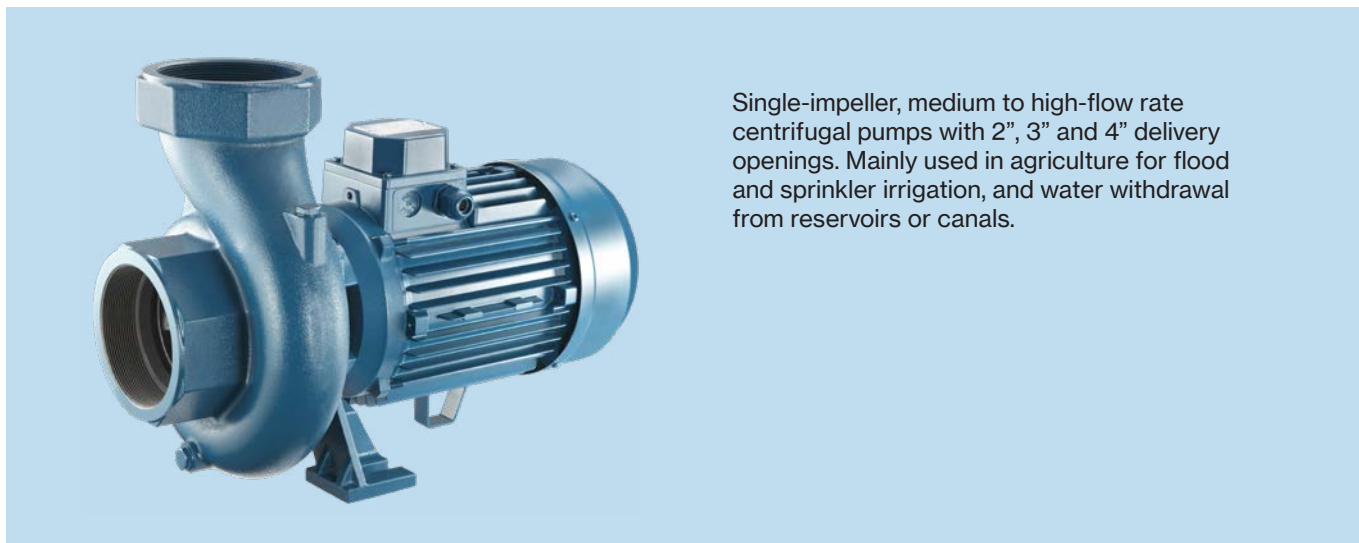
TYPE		P2		P1 (kW)		AMPERE		Q (m³/h - l/min)						
1~	3~					1~	3~	0	3	6	9	12	14,4	16,8
		0	50	100	150			200	240	280				
		HP	kW	1~	3~	1x230 V 50 Hz	3x400 V 50 Hz	H (m)						
CR 75/76	CRT 75/76	0,8	0,59	0,73	0,83	3,4	1,5	15,0	14,3	13,0	11,6	9,5	7,0	
CR 100/102	CRT 100/102	1	0,74	1,14	1,2	5,3	2,4	20,5	19,8	18,9	17,7	15,5	13,5	10,5





TYPE	DIMENSIONS (mm)													
	A	B	C	D	E	F	H1	H2	DNA	DNM	I	L	M	
CR 75	120	45	308	155	115	170	97	222	1" 1/2 G	1" 1/4 G	325	200	265	13
CR 76	120	45	308	155	115	170	97	222		1" 1/2 G	325	200	265	13
CR 100	120	45	308	155	115	170	97	222		1" 1/4 G	325	200	265	14
CR 102	120	45	308	155	115	170	97	222		1" 1/2 G	325	200	265	14

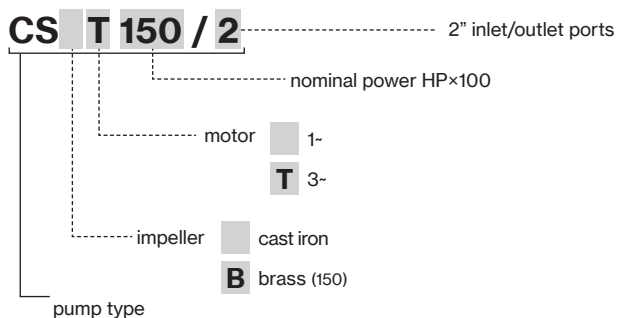




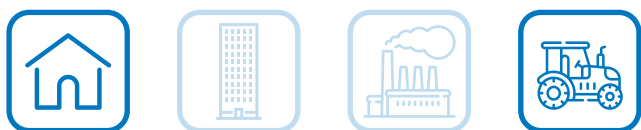
Single-impeller, medium to high-flow rate centrifugal pumps with 2", 3" and 4" delivery openings. Mainly used in agriculture for flood and sprinkler irrigation, and water withdrawal from reservoirs or canals.

Construction features	
<b>Pump body</b>	cast iron
<b>Motor bracket</b>	cast iron
<b>Impeller</b>	cast iron or brass (CSB)
<b>Mechanical seal</b>	ceramic-graphite-NBR
<b>Motor shaft</b>	stainless steel AISI 303 stainless steel AISI 416 (75÷120)
<b>Liquid temperature</b>	0 - 90 °C
<b>Operating pressure</b>	max 6 bar

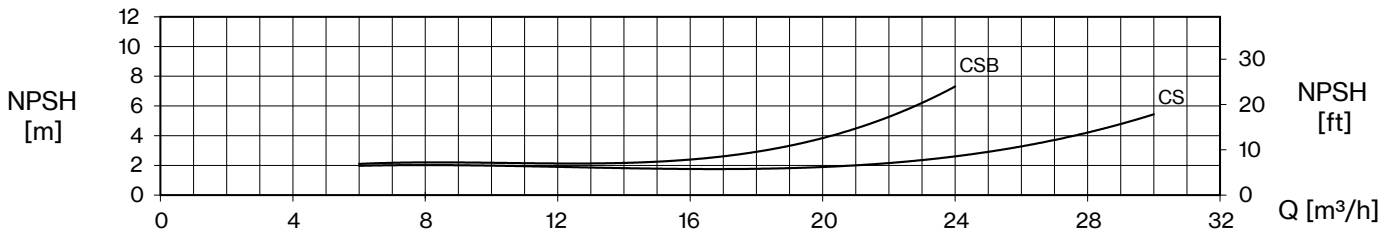
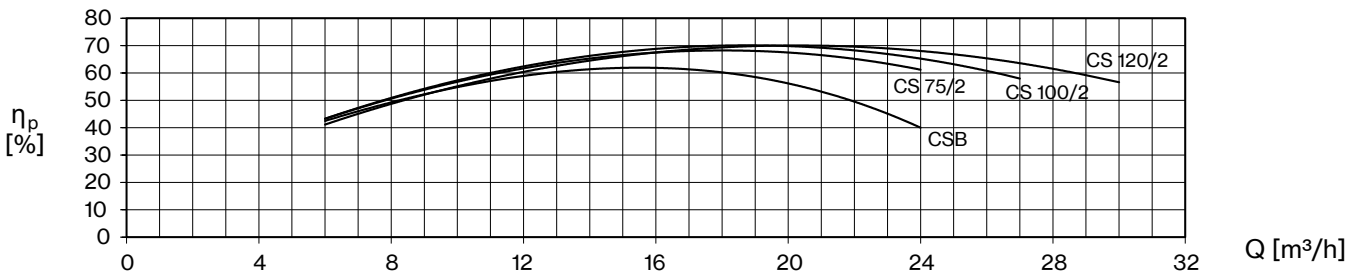
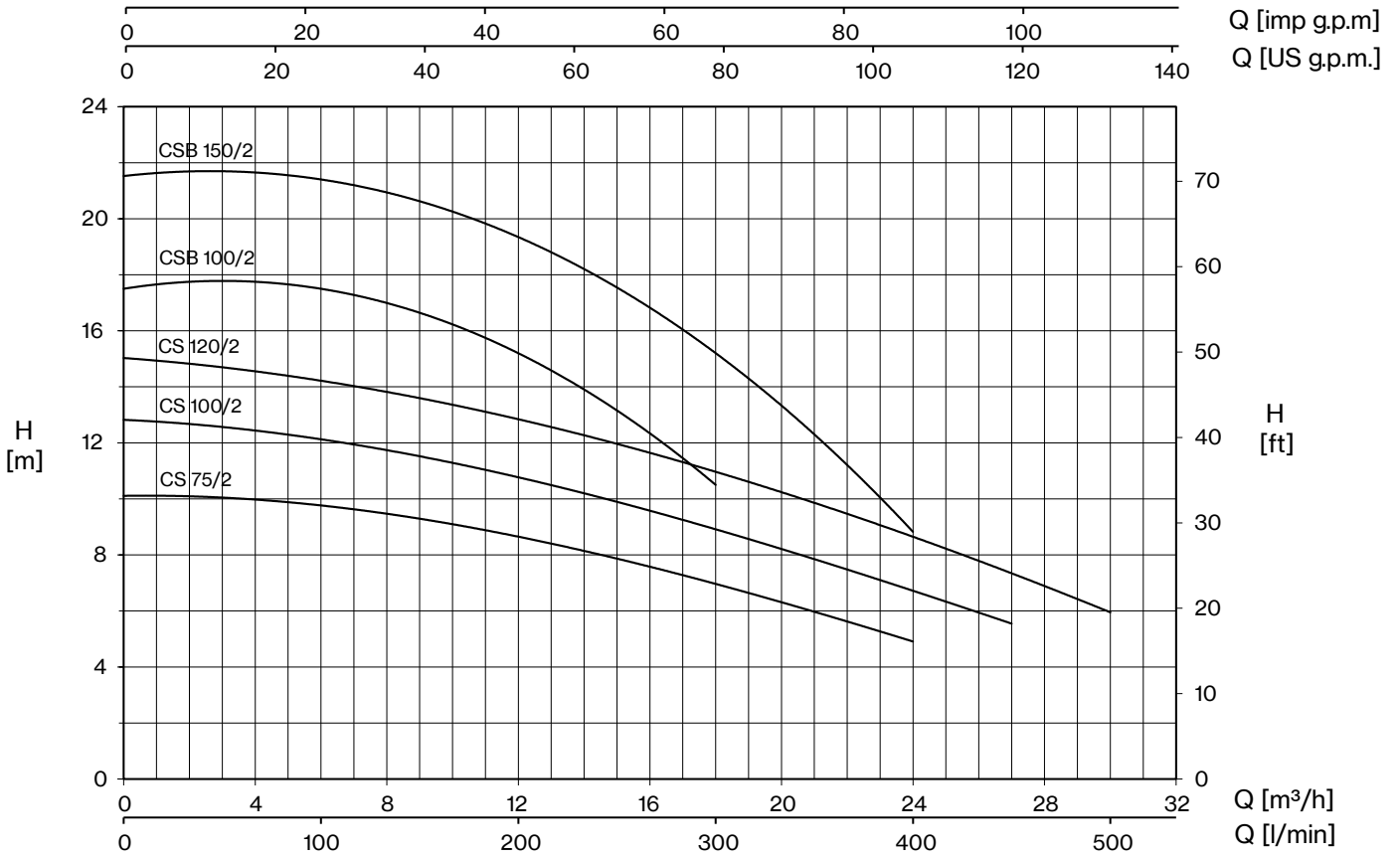
Motor	
	3- 230/400V - 50Hz
<b>2 Poles induction motor</b>	1- 230V - 50Hz (with thermal protection up to MEC 80)
<b>Insulation class</b>	F
<b>Protection degree</b>	IPX4



TYPE	LOTS			
	TRUCK		CONTAINER	
	PALLET (cm)	N° pumps	PALLET (cm)	N° pumps
<b>CS 75/2÷120/2</b>	90×110×145	65	90×110×195	91
<b>CS 150/2-200/2</b>	85×110×140	40	85×110×205	60
<b>CS 200/3-300/3</b>	85×110×150	30	85×110×180	60
<b>CS 400/3÷550/4</b>	80×120×150	30	80×120×180	60
<b>CST 750/4-1000/4</b>	100×120×140	18	100×120×185	24



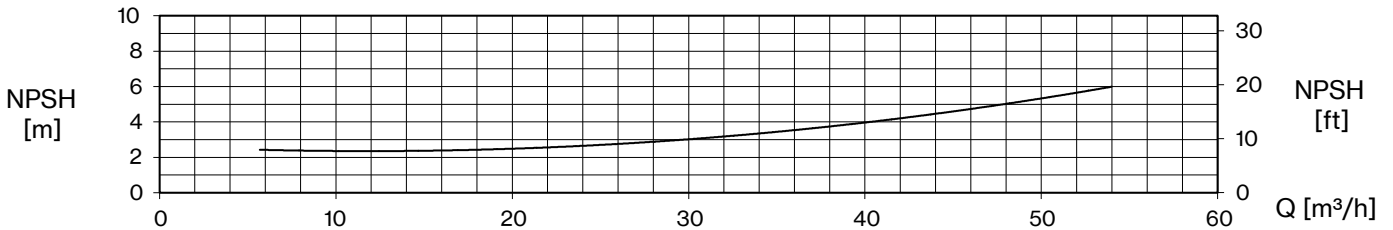
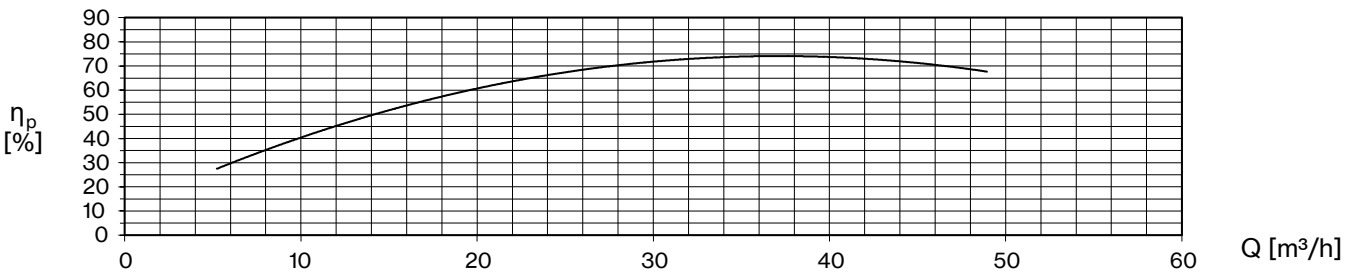
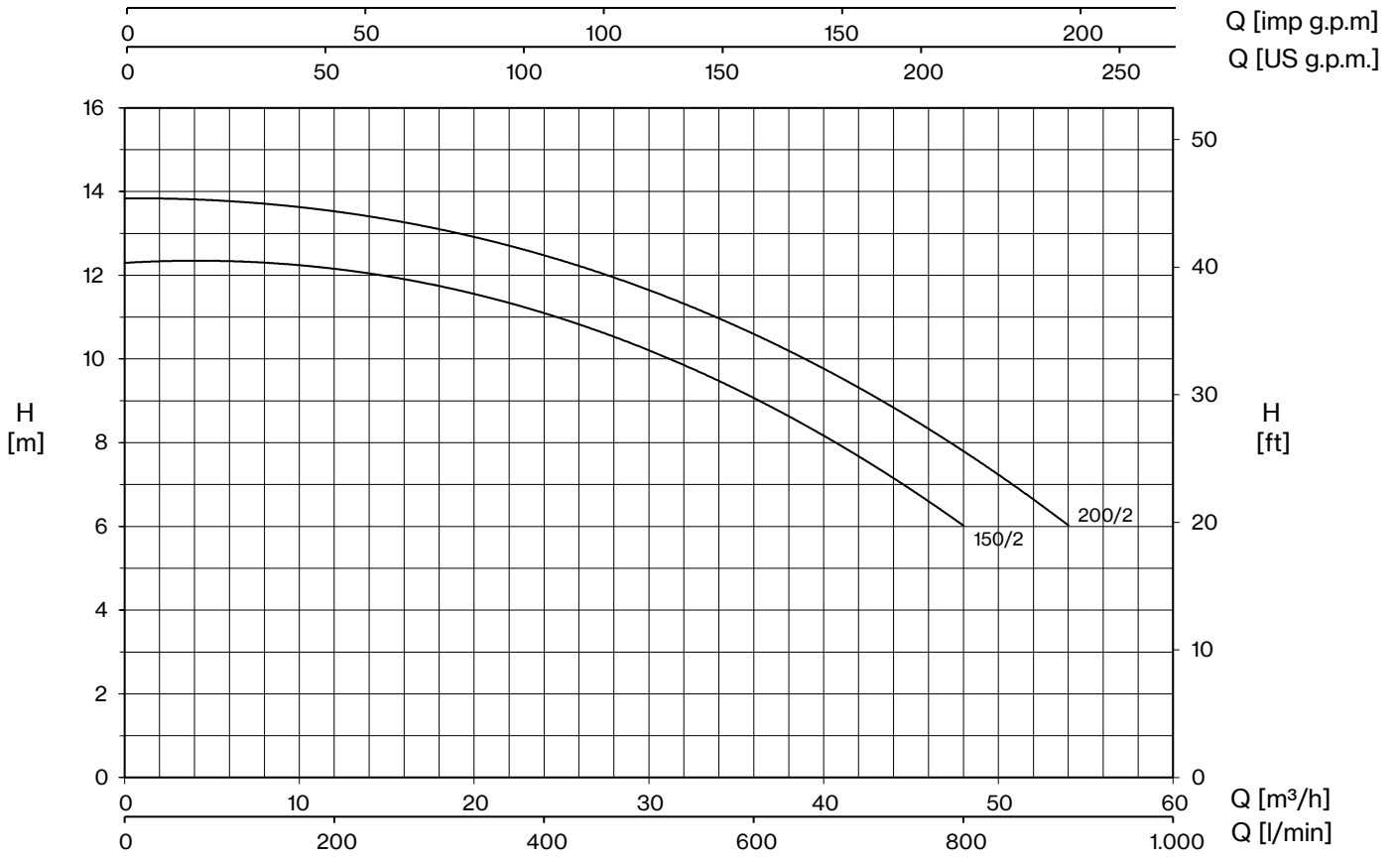
# CS



TYPE		P2		P1 (kW)		AMPERE		Q (m³/h - l/min)						
1-	3-					1~	3~	0	6	12	18	24	27	30
		0	100	200	300			400	450	500				
		HP	kW	1~	3~	1x230 V 50 Hz	3x400 V 50 Hz	H (m)						
CS 75/2	CST 75/2	0,8	0,59	0,8	0,7	3,5	1,3	10,1	9,8	8,6	7,0	4,9		
CS 100/2	CST 100/2	1	0,74	1	0,85	4,5	1,6	12,8	12,2	10,7	8,9	6,8	5,5	
CS 120/2	CST 120/2	1,2	0,9	1,2	1,1	5,4	2,0	15,0	14,3	12,8	10,9	8,7	7,4	5,9
CSB 100/2	-	1	0,74	1,23	-	6,0	-	17,5	17,5	15,2	10,5			
CSB 150/2	CSBT 150/2	1,5	1,1	1,78	1,65	8,5	3,0	21,5	21,5	19,2	15,3	8,8		

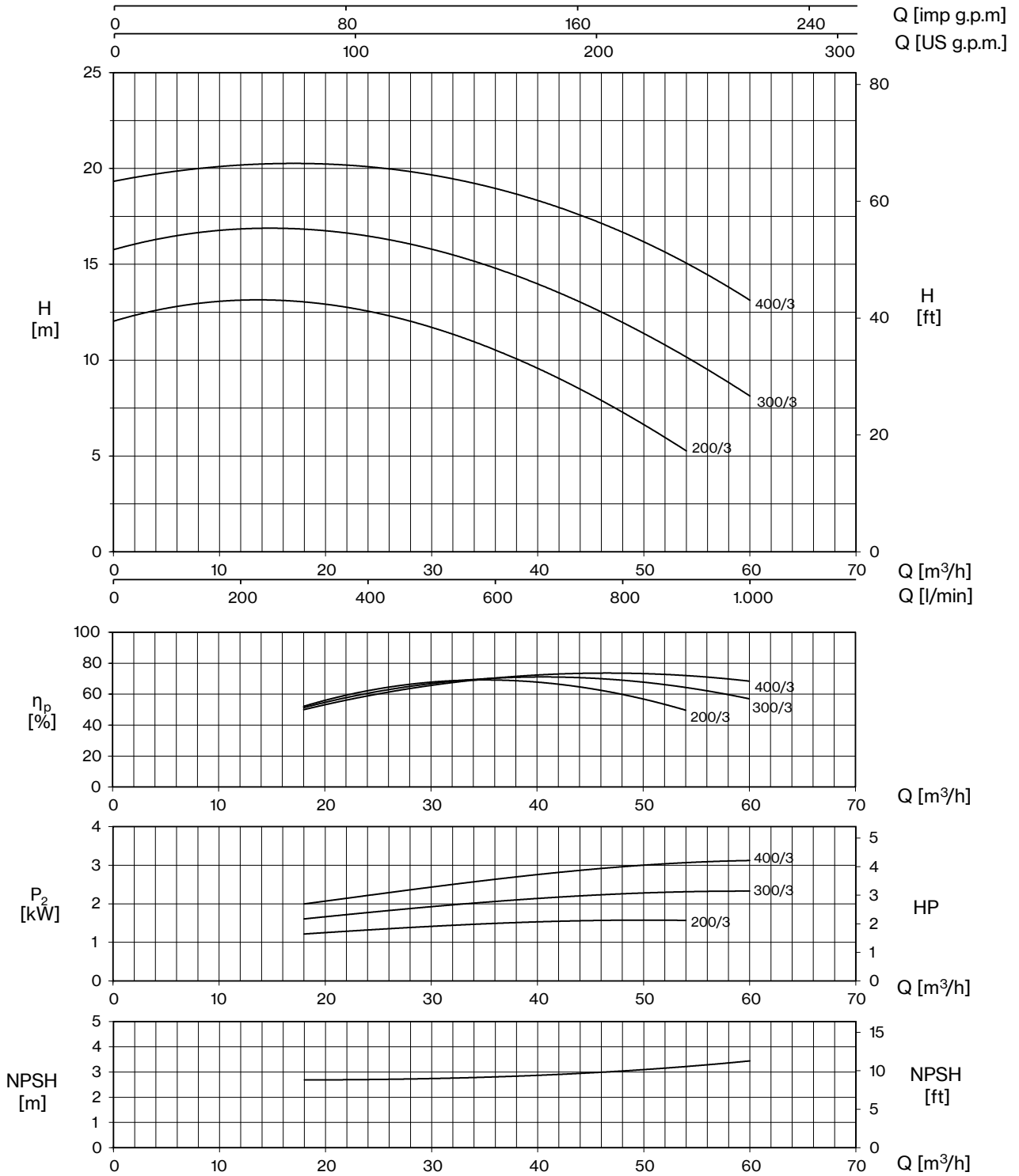






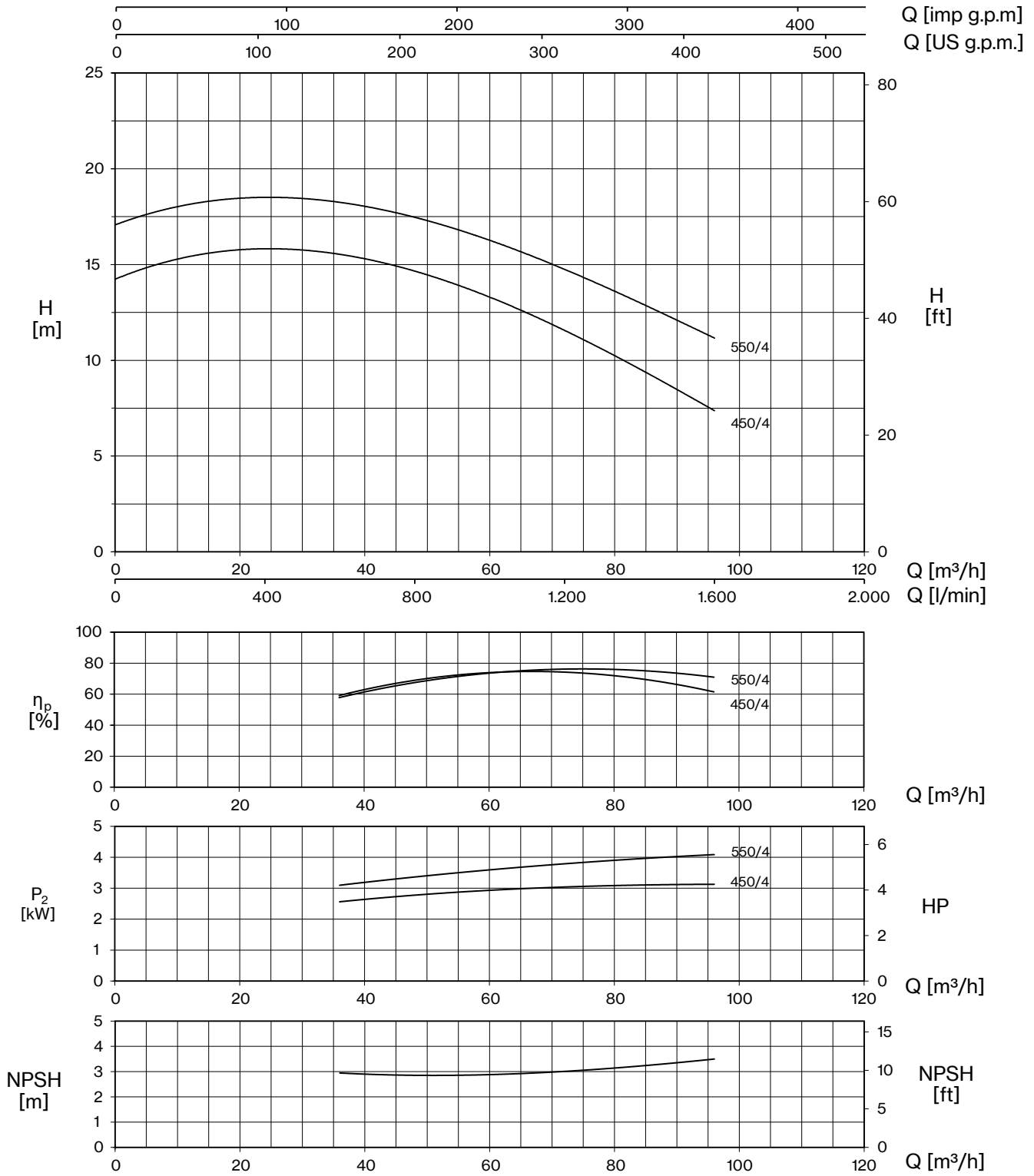
TYPE		P2		P1 (kW)		AMPERE		Q (m³/h - l/min)									
1~	3~	HP	kW	1~	3~	1~	3~	0	6	12	18	24	30	36	42	48	54
						1x230 V 50 Hz	3x400 V 50 Hz	0	100	200	300	400	500	600	700	800	900
								H (m)									
CS 150/2	CST 150/2	1,5	1,1	1,85	1,8	8,8	3,3	12,3	12,3	12,2	11,8	11,0	10,2	9,1	7,7	6,0	
CS 200/2	CST 200/2	2	1,5	2,1	2,1	10,0	3,9	13,8	13,8	13,6	13,1	12,4	11,6	10,6	9,4	7,8	6,0





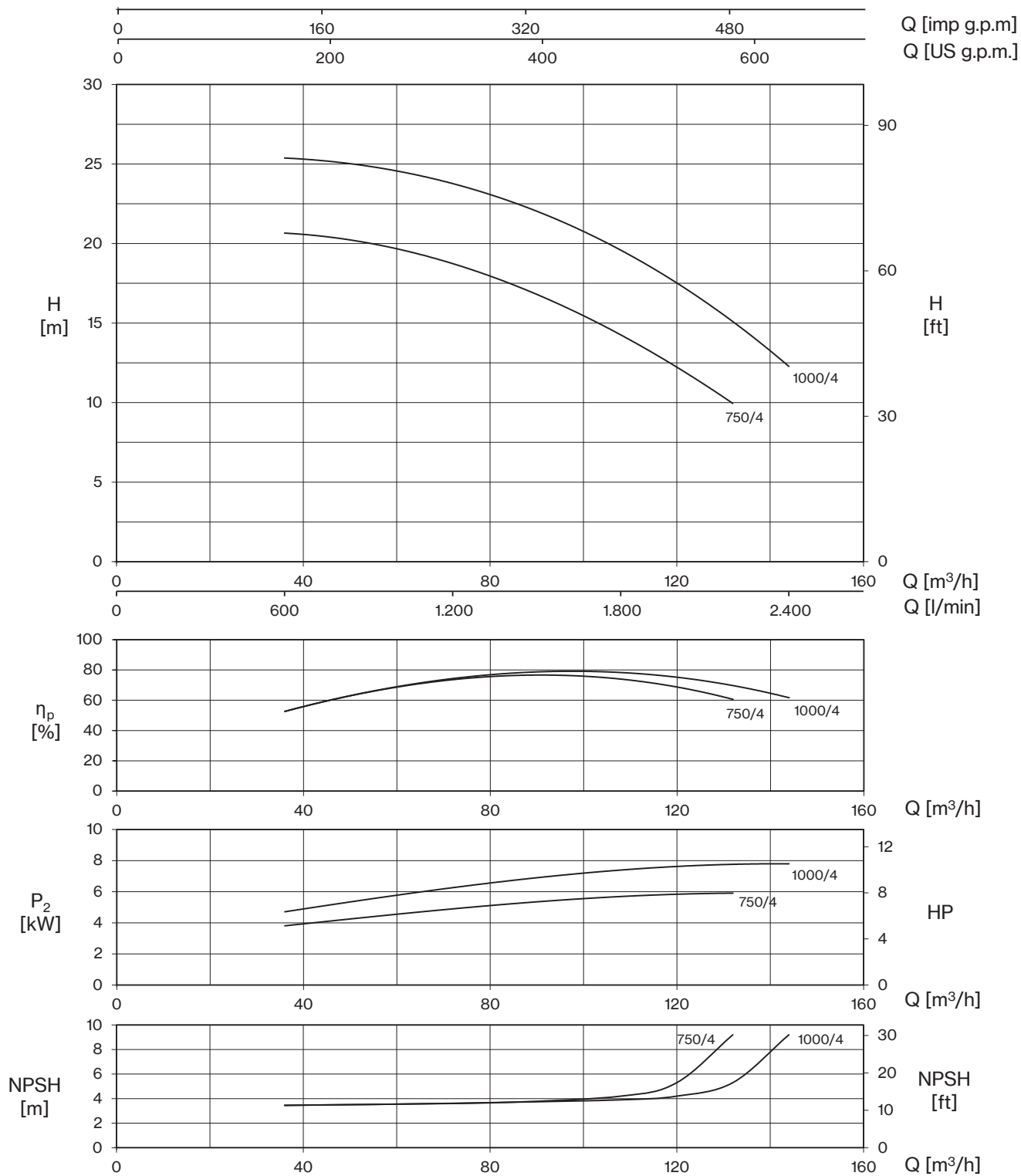
TYPE		P2		P1 (kW)		AMPERE		Q (m³/h - l/min)								
1~	3~	HP	kW	1~	3~	1~	3~	0	18	24	30	36	42	48	54	60
								0	300	400	500	600	700	800	900	1000
						1x230 V 50 Hz	3x400 V 50 Hz	H (m)								
CS 200/3	CST 200/3	2	1,5	1,9	1,9	8,9	3,5	12,0	13,0	12,6	11,8	10,6	9,0	7,2	5,3	
CS 300/3	CST 300/3	3	2,2	2,7	2,7	12,4	5	15,8	16,8	16,5	15,7	14,7	13,6	12,0	10,1	8,2
-	CST 400/3	4	3		3,6	-	6,6	19,3	20,3	20,1	19,6	18,9	18,0	16,8	15,0	13,1





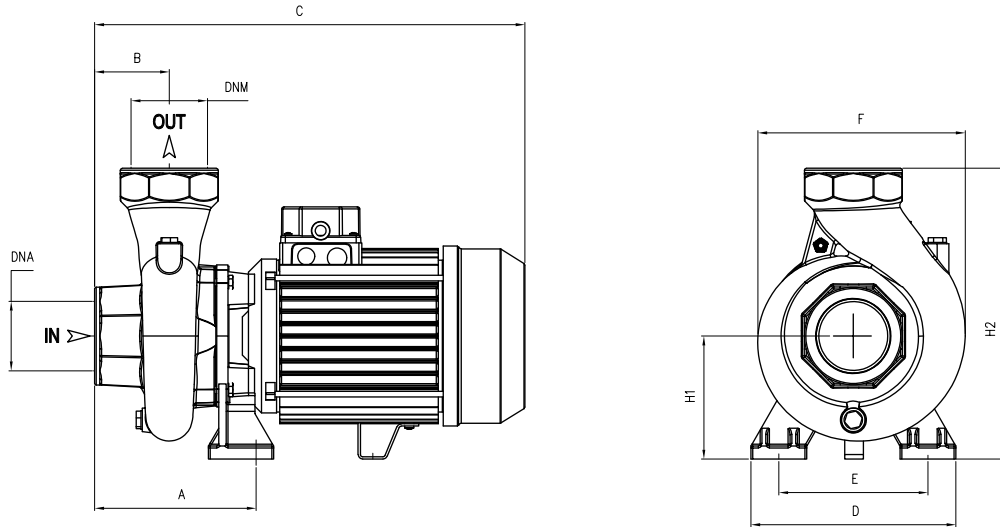
TYPE		P2		P1 (kW)		AMPERE		Q (m³/h - l/min)						
1~	3~	HP	kW	1~	3~	1~	3~	0	36	48	60	72	84	96
								0	600	800	1000	1200	1400	1600
						1x230 V 50 Hz	3x400 V 50 Hz	H (m)						
CS 450/4	CST 450/4	4	3	3,6	3,6	16,1	6,5	14,2	15,5	14,7	13,4	11,5	9,6	7,4
-	CST 550/4	5,5	4		4,7	-	8,5	17,1	18,3	17,4	16,3	14,7	13,1	11,1

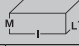





TYPE	P <sub>2</sub>		P <sub>1</sub> (kW)	AMPERE 3~ 3x400 V 50 Hz	Q (m³/h - l/min)									
					0	36	48	60	84	108	120	132	144	
3~	HP	kW	3~		H (m)									
					0	600	800	1000	1400	1800	2000	2200	2400	
<b>CST 750/4</b>	7,5	5,5	6,7	11,6	18,9	20,6	20,4	19,7	17,4	14,3	12,3	9,9		
<b>CST 1000/4</b>	10	7,5	8,8	15,4	23,6	25,3	25,2	24,6	22,6	19,5	17,6	15,2	12,2	





TYPE	DIMENSIONS (mm)														
	A	B	C	D	E	F	H1	H2	DNA	DNM	I	L	M	kg	T
CS 75/2	127	45	315	155	115	178	97	247	2" G	2" G	340	195	280	14,5	T 14
CS 100/2	127	45	315	155	115	178	97	247			340	195	280	16	T 25
CS 120/2	127	45	315	155	115	178	97	247			340	195	280	16,5	T 16
CSB 100/2	130	70	365	180	130	195	90	240	2" G	2" G	390	230	325	19	T 19
CSB 150/2	130	70	365	180	130	195	90	240			390	230	325		
CS 150/2	150	53	370	180	140	218	115	285			390	230	325	24,5	T 23,5
CS 200/2	150	53	370	180	140	218	115	285	2" G	2" G	390	230	325	25	T 24,5
CS 200/3	176,5	80	485	200	140	225	112	292			520	235	320	29	T 28
CS 300/3	176,5	80	485	200	140	225	112	292			520	235	320	32,5	T 30
CST 400/3	176,5	80	485	200	140	225	112	292	3" G	3" G	520	235	320	32,5	T 30
CS 450/4	165	85	515	220	160	250	130	330			546	265	355		
CST 550/4	165	85	515	220	160	250	130	330			546	265	355	46	T 42
CST 750/4	117	83	559	215	170	254	134	333	4" G	4" G	675	390	300	56,5	T 56,5
CST 1000/4	117	83	559	215	170	254	134	333			675	390	300	63	T 63



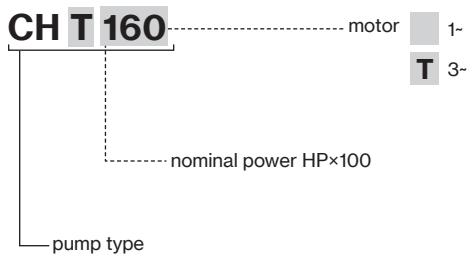
Centrifugal pumps characterized by medium flow rate and stable head as the flow rate changes. Suitable for flood and sprinkler irrigation, water withdrawal from reservoirs or canals and industrial applications.

### Construction features

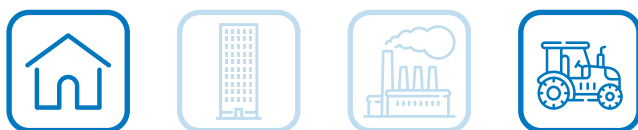
<b>Pump body</b>	cast iron
<b>Motor bracket</b>	cast iron
<b>Impeller</b>	brass (160÷310) cast iron (350÷550)
<b>Mechanical seal</b>	ceramic-graphite-NBR
<b>Motor shaft</b>	stainless steel AISI 303
<b>Liquid temperature</b>	0 - 90 °C
<b>Operating pressure</b>	max 6 bar

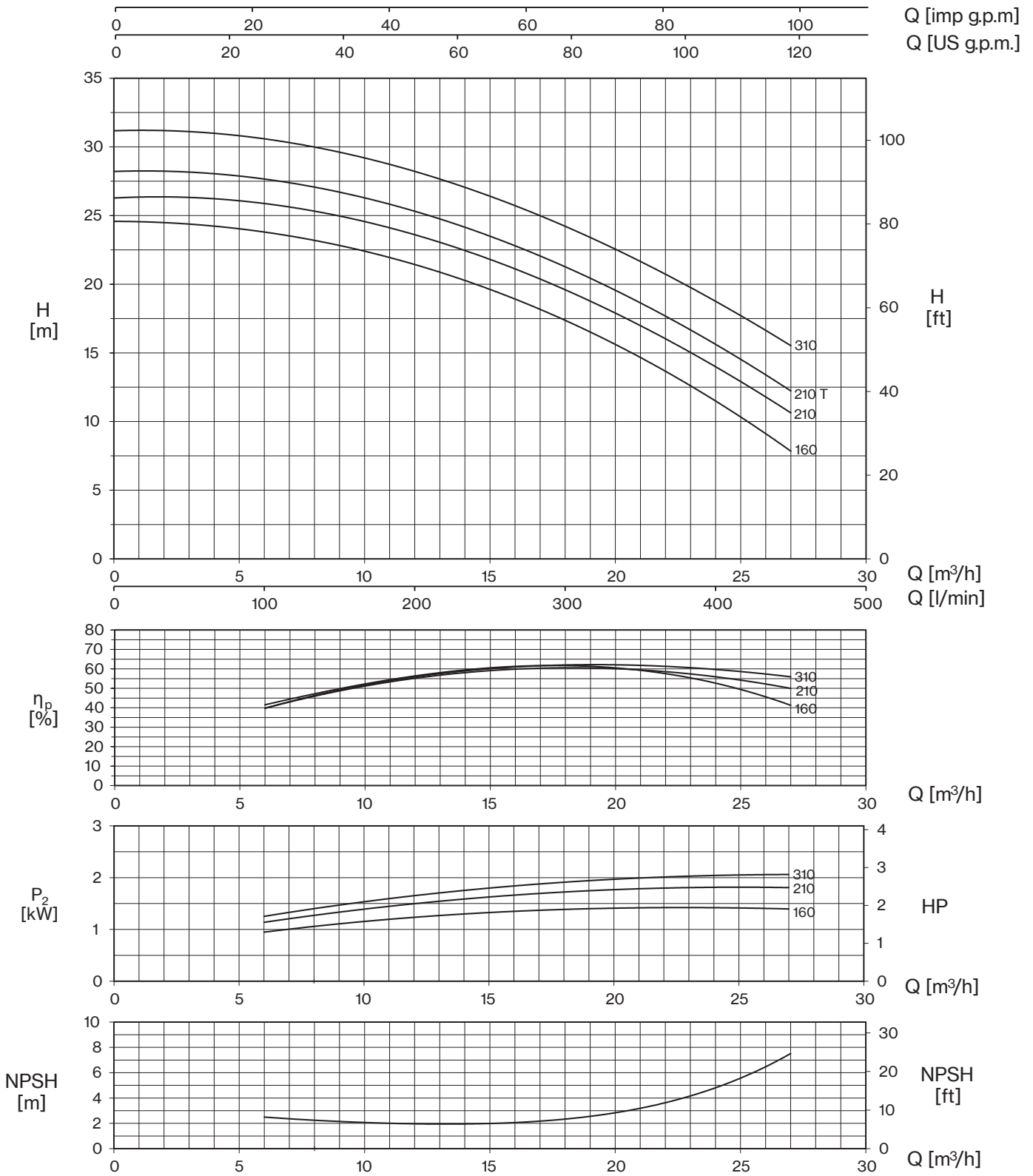
### Motor

	3~ 230/400V - 50Hz
<b>2 Poles induction motor</b>	1~ 230V - 50Hz (with thermal protection up to MEC 80)
<b>Insulation class</b>	F
<b>Protection degree</b>	IPX4



TYPE	LOTS			
	TRUCK		CONTAINER	
	PALLET (cm)	N° pumps	PALLET (cm)	N° pumps
<b>CH 160÷310</b>	85×11×140	40	85×110×195	60
<b>CH 350÷550</b>	85×110×150	30	85×110×180	30

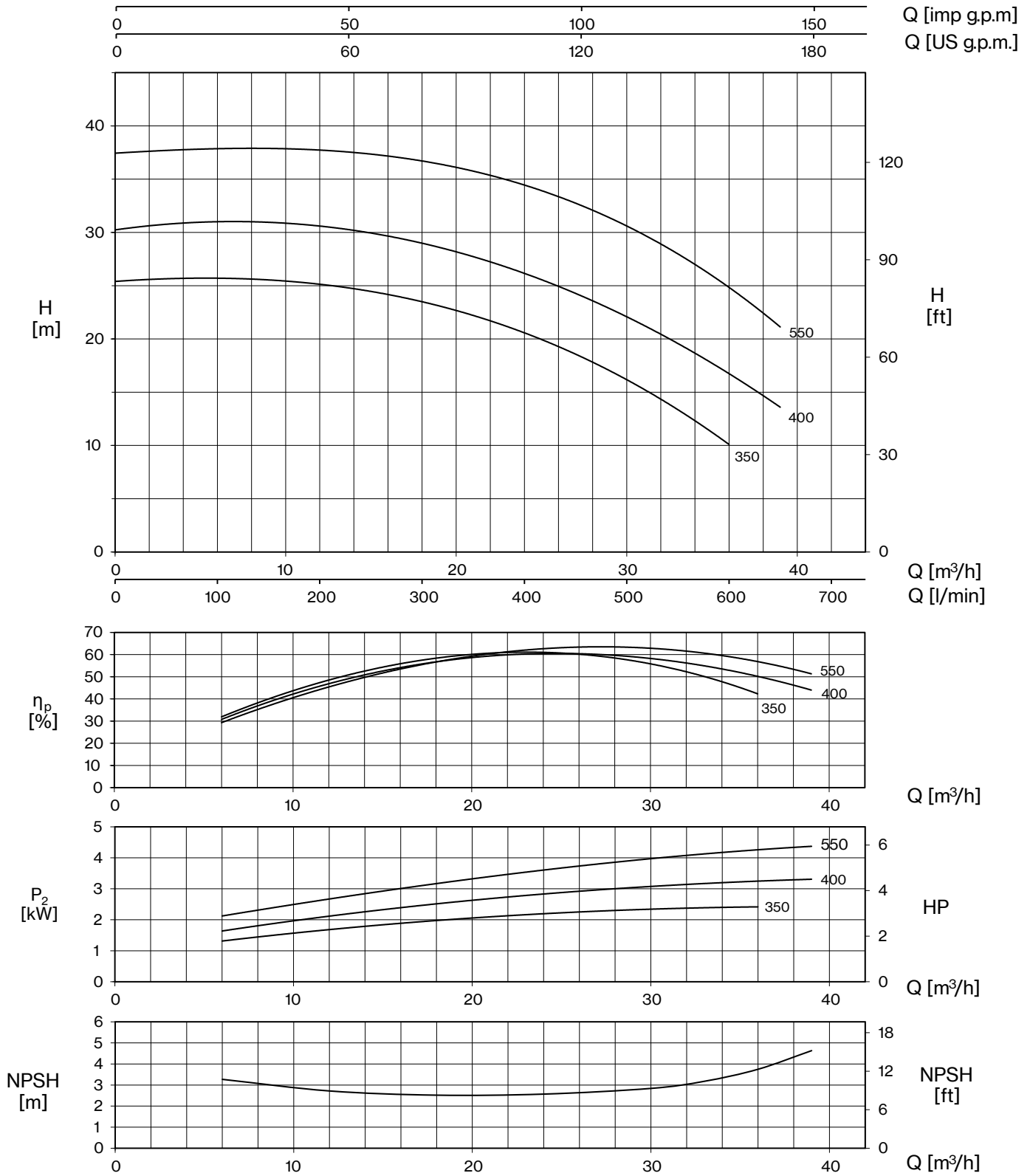




TYPE		P2		P1 (kW)		AMPERE		Q (m³/h - l/min)								
1~	3~	HP	kW	1~	3~	1~	3~	0	6	9	12	15	18	21	24	27
								0	100	150	200	250	300	350	400	450
						1x230 V 50 Hz		3x400 V 50 Hz		H (m)						
CH 160	CHT 160	1,5	1,1	1,8	1,8	8,3	3,4	24,5	23,9	22,9	21,4	19,5	17,3	14,7	11,6	7,8
CH 210	-	2	1,5	2,1	-	10,1	-	26,3	25,9	25,0	23,6	21,7	19,6	17,1	14,1	10,6
-	CHT 210	2	1,5	-	2,2	-	4,7	28,2	27,6	26,7	25,3	23,5	21,3	18,6	15,6	12,2
CH 310	CHT 310	3	2,2	2,8	2,6	12,4	5,0	31,2	30,5	29,6	28,3	26,4	24,3	21,6	18,6	15,6



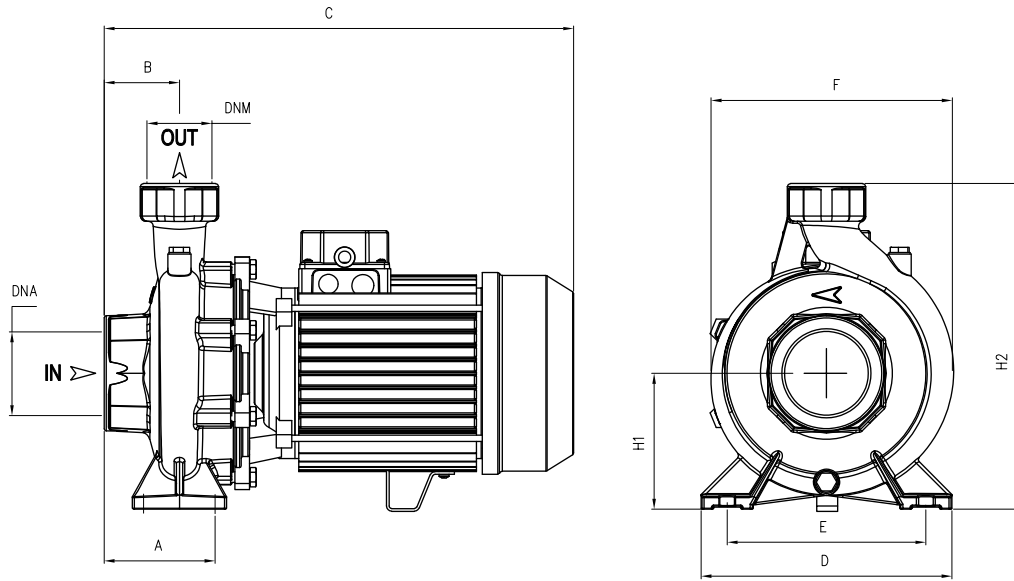
# CH

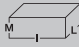



TYPE		P2		P1 (kW)		AMPERE		Q (m³/h - l/min)										
1~	3~					1~	3~	0	6	12	18	24	30	33	36	39		
		HP		kW		1x230 V 50 Hz		3x400 V 50 Hz		H (m)								
CH 350	CHT 350	3	2,2	2,8	2,8	12,7	5,2	25,4	25,6	25,3	23,5	20,5	16,2	13,5	10,0			
CH 400	CHT 400	4	3,0	3,8	3,8	17,0	6,9	30,3	30,8	30,7	29,1	26,1	22	19,5	16,7	13,6		
-	CHT 550	5,5	4,0		5,0	-	9,1	37,4	37,8	37,9	36,8	34,3	30,2	28,2	25,5	20,7		

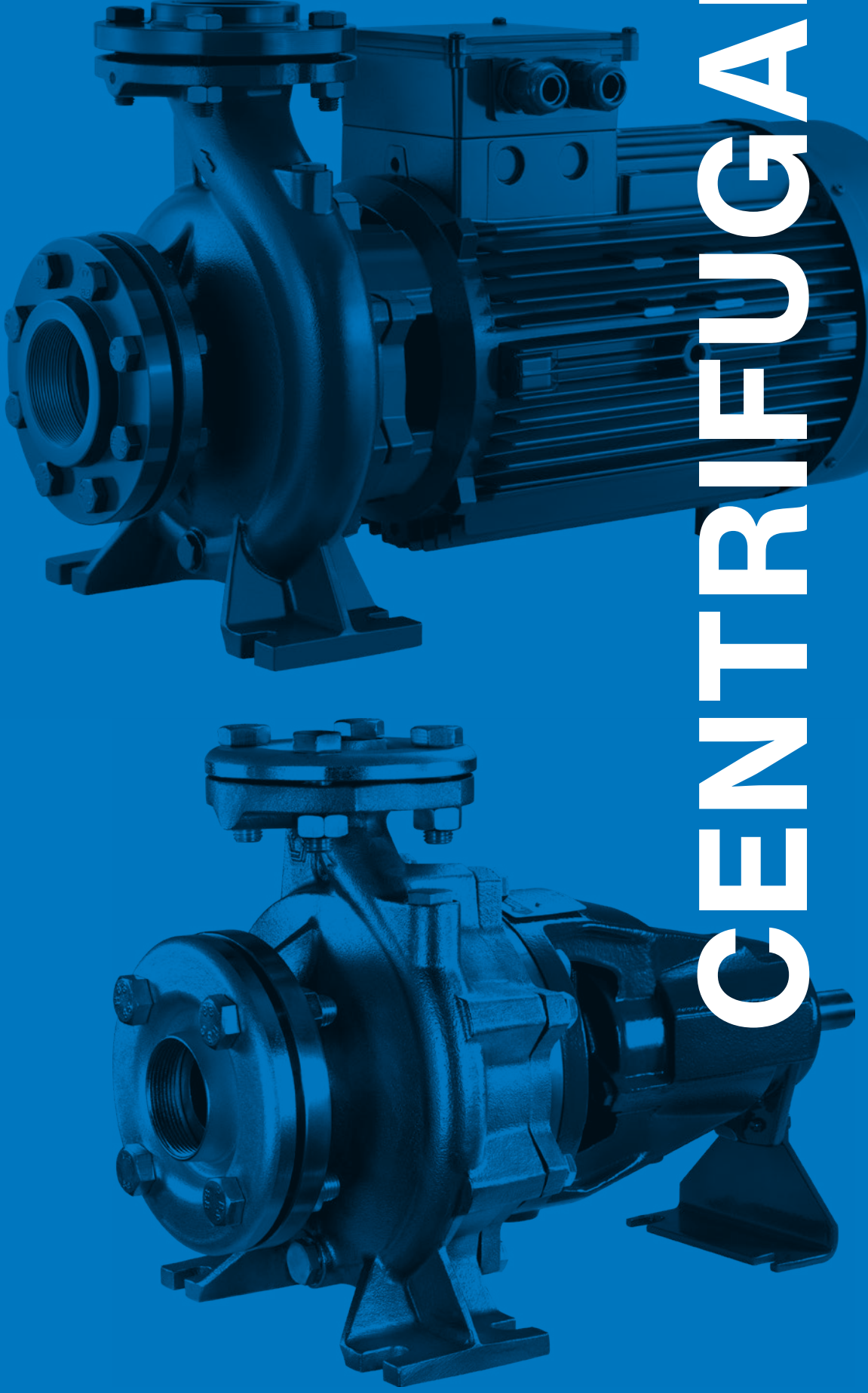






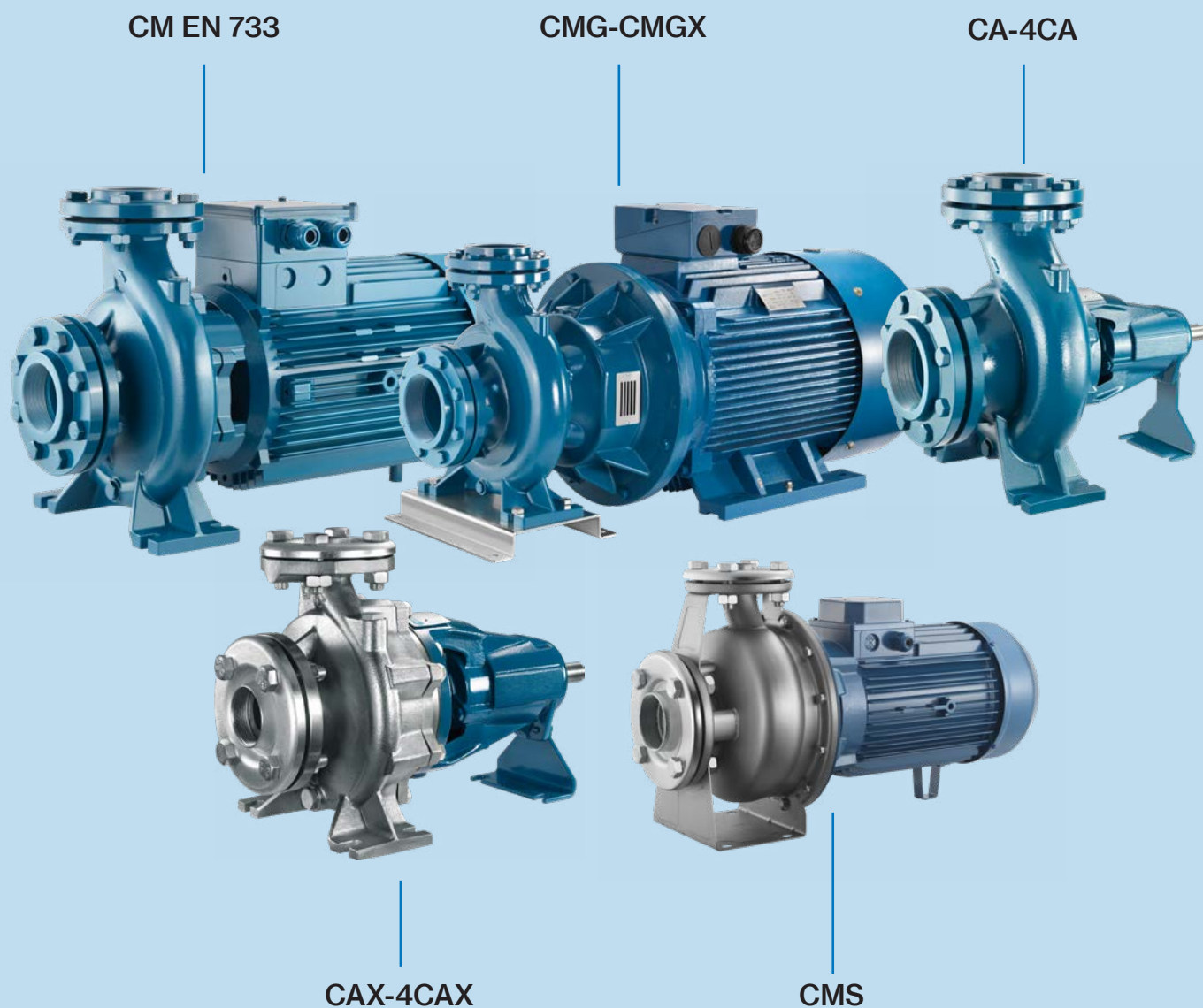
TYPE	DIMENSIONS (mm)														
	A	B	C	D	E	F	H1	H2	DNA	DNM	I	L	M		
CH 160	105	48	370	200	160	215	110	280	2" G	2" G	390	230	300	24,5	T 23,5
CH 210	105	48	370	200	160	215	110	280			390	230	300	26	T 25,5
CH 310	105	48	410	200	160	215	110	280			430	230	300	31,5	
CHT 310	105	48	370	200	160	215	110	280			390	230	300	26	
CH 350	105	70	465	240	190	240	126	306	3" G	2" G	530	280	355	38	
CHT 350	105	70	425	240	190	240	126	306			530	280	355	35	
CH 400	105	70	480	240	190	240	126	306			530	280	355	45,5	
CHT 400	105	70	465	240	190	240	126	306			530	280	355	38,5	
CHT 550	105	70	480	240	190	240	126	306			530	280	355	45,5	





# CENTRIFUGAL FLANGED

# CENTRIFUGAL FLANGED PUMPS



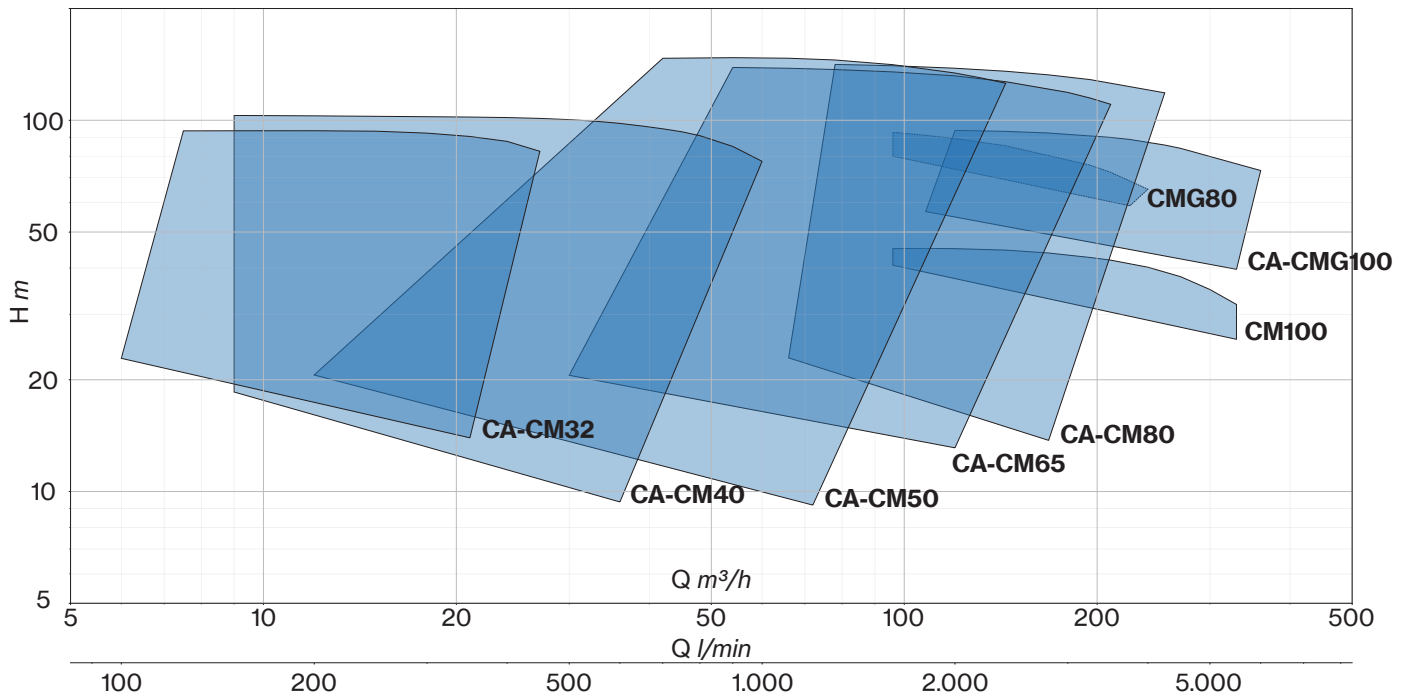
Wide range of centrifugal free axle and monobloc pumps, flanged with axial suction with hydraulic part entirely made of cast iron (CM, CMG, CA), in AISI 304 (CMS) and AISI 316 (CAX).

## Applications:

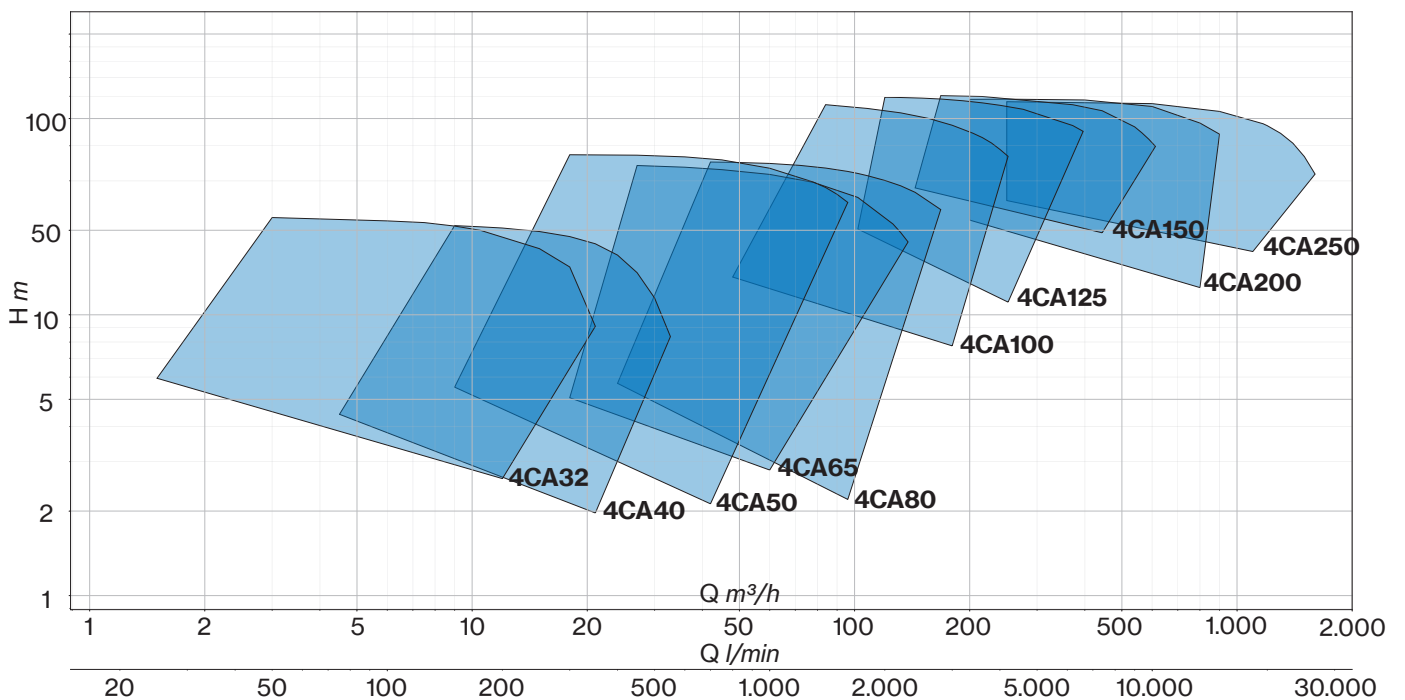
- Water supply
- Pressurization
- Circulation of water in heating and air conditioning systems
- Fluid transfer in industry and agriculture



## 2 Poles



## 4 Poles



## 2 Poles

TYPE	PUMP			
	CM	CMG	CA	CAX
32-160C	●	×	●	●
32-160B	●	×	●	●
32-160A	●	×	●	●
32-200C	●	×	●	●
32-200B1	●	×	×	●
32-200B	●	×	●	●
32-200A1	●	×	×	●
32-200A	●	×	●	●
32-250C	●	×	●	●
32-250B	●	×	●	●
32-250A	●	×	●	●
40-125C	●	×	●	●
40-125B	●	×	●	●
40-125A	●	×	●	●
40-160B	●	×	●	●
40-160A	●	×	●	●
40-160AP	●	×	●	●
40-200B1	●	×	-	●
40-200B	●	×	●	●
40-200A1	●	×	×	●
40-200A	●	×	●	●
40-200AP	●	×	●	●
40-250C	●	×	●	●
40-250B	●	×	●	●
40-250A	●	×	●	●
40-250BM	●	×	●	●
40-250AM	●	×	●	●
50-125B	●	×	●	●
50-125A	●	×	●	●
50-160B1	●	×	×	●
50-160B	●	×	●	●
50-160A1	●	×	×	●
50-160A	●	×	●	●
50-200C	●	×	●	●
50-200B	●	×	●	●
50-200A	●	×	●	●
50-250C	●	×	●	●
50-250B	●	×	●	●
50-250A	●	×	●	●
50-315DN	×	×	●	×
50-315CN	×	×	●	×
50-315BN	×	×	●	×
50-315AN	×	×	●	×
65-125B1	●	×	×	●
65-125B	●	×	●	●
65-125A1	●	×	×	●
65-125A	●	×	●	●
65-160C	●	×	●	●
65-160B	●	×	●	●
65-160A	●	×	●	●
65-200C	●	×	●	●
65-200B	●	×	●	●
65-200A	●	×	●	●
65-250B	●	×	●	●
65-250A	●	×	●	●
65-315CN	×	×	●	×
65-315BN	×	×	●	×
65-315AN	×	×	●	×

TYPE	PUMP			
	CM	CMG	CA	CAX
80-160E	●	×	●	●
80-160D	●	×	●	●
80-160C	●	×	●	●
80-160B	●	×	●	●
80-160A	●	×	●	●
80-200B	●	×	●	●
80-200A	●	×	●	●
80-250B	×	●	●	●
80-250A	×	●	●	●
80-315BN	×	×	●	×
80-315AN	×	×	●	×
100-160B	●	×	×	●
100-160B	●	×	×	●
100-200B	×	●	●	●
100-200A	×	●	●	●
100-250C	×	●	●	●
100-250B	×	●	●	●
100-250A	×	●	●	●

●=Available  
×=Not available

## Legend

**CM:** Front suction close-coupled centrifugal pumps with close impeller mounted on IE3 motor shaft extension. Pump casing with axial suction and radial delivery on top, main dimensions and performance according to EN 733.

**CMG:** Front suction centrifugal pumps connected to IE3 standard motor (stub-shaft construction). Pump casing with axial suction and radial delivery on top, main dimensions and performance according to EN 733.

**CA-CAX:** Single-stage end-suction centrifugal frame-mounted pumps. Dimensions in accordance with EN 733.

## 4 Poles

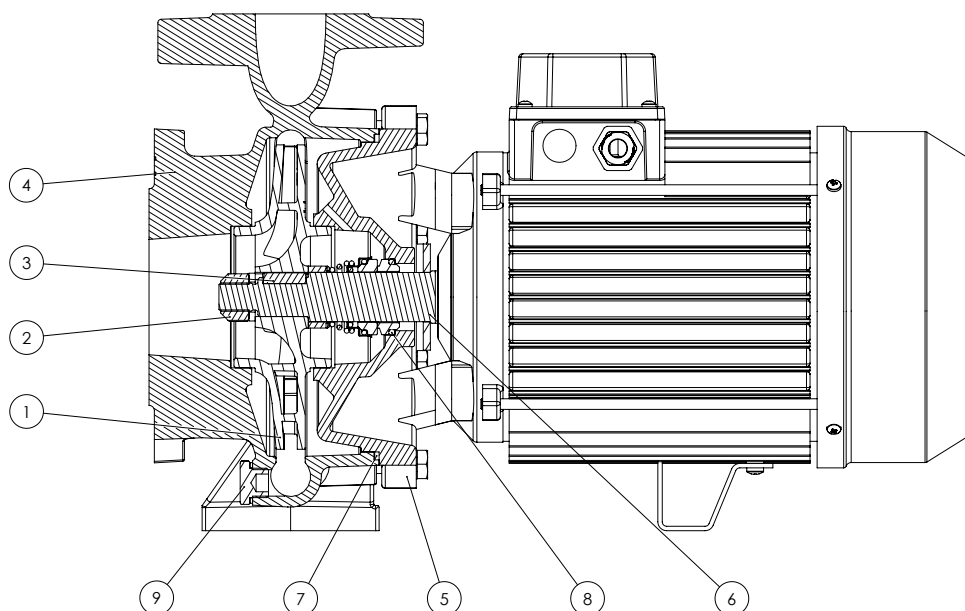
TYPE	PUMP
	4CA
32-160C	●
32-160B	●
32-160A	●
32-200C	●
32-200B1	×
32-200B	●
32-200A1	×
32-200A	●
32-250C	●
32-250B	●
32-250A	●
40-125C	●
40-125B	●
40-125A	●
40-160B	●
40-160A	●
40-160AP	●
40-200B1	×
40-200B	●
40-200A1	×
40-200A	●
40-200AP	●
40-250C	●
40-250B	●
40-250A	●
40-250BM	●
40-250AM	●
50-125B	●
50-125A	●
50-160B1	×
50-160B	●
50-160A1	×
50-160A	●
50-200C	●
50-200B	●
50-200A	●
50-250C	●
50-250B	●
50-250A	●
50-315C	●
50-315B	●
50-315A	●
65-125B1	×
65-125B	●
65-125A1	×
65-125A	●
65-160C	●
65-160B	●
65-160A	●
65-200C	●
65-200B	●
65-200A	●
65-250B	●
65-250A	●
65-315CM	●
65-315BM	●
65-315AM	●

TYPE	PUMP
	4CA
80-160E	●
80-160D	●
80-160C	●
80-160B	●
80-160A	●
80-200B	●
80-200A	●
80-250B	●
80-250A	●
80-315B	●
80-315A	●
100-160B	×
100-160B	×
100-200B	●
100-200A	●
100-250E	●
100-250D	●
100-250A	●
100-315B	●
100-315A	●
100-400C	●
100-400B	●
100-400A	●
125-250B	●
125-250A	●
125-315C	●
125-315B	●
125-315A	●
125-400C	●
125-400B	●
125-400A	●
150-315D	●
150-315C	●
150-315B	●
150-315A	●
150-400C	●
150-400B	●
150-400A	●
<b>Not envisaged in the EN 733 standard</b>	
200-315D	●
200-315C	●
200-315B	●
200-315A	●
200-400C	●
200-400B	●
200-400A	●
250-315C	●
250-315B	●
250-315A	●
250-400D	●
250-400C	●
250-400B	●
250-400A	●

●=Available  
×=Not available

# CM Series

## Models list and materials



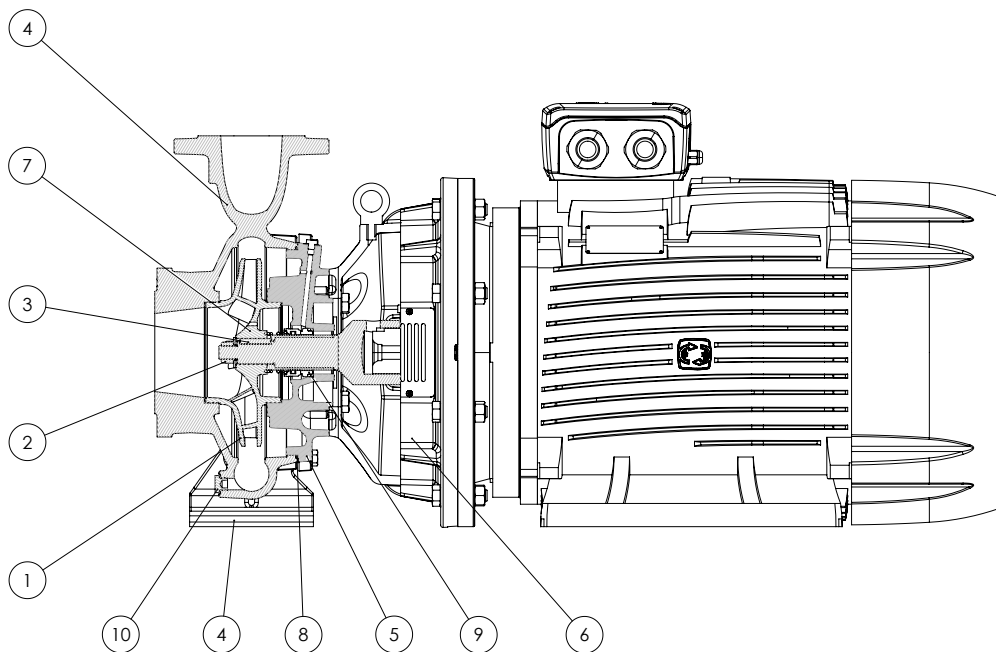
POS. N.	DENOMINATION	VERSION	MATERIAL	REFERENCE STANDARDS	
				EUROPE	USA
1	<b>Impeller</b>	Standard B X	Cast iron G20 Bronze Stainless steel	GJL-200 (JL1030) CuSn10-C (CC480K) X5CrNiMo17-12-2/ 1.4401	ASTM Class 30 UNS C90700 AISI 316
2	<b>Impeller lock nut and washer</b>		Stainless steel	X5CrNiMo17-12-2/ 1.4401	AISI 316
3	<b>Impeller key</b>		Stainless steel	X5CrNiMo17-12-2/ 1.4401	AISI 316
4	<b>Volute casing</b>	Standard for models up to 80-200 Standard from model 80-250	Cast iron G20 Cast iron G25	GJL-200 (JL1030) GJL-250 (JL1040)	ASTM Class 30 ASTM Class 35
5	<b>Motor bracket</b>		Cast iron G20	GJL-200 (JL1030)	ASTM Class 30
6	<b>Shaft extension</b>		Stainless steel	X5CrNi18-10/ 1.4301	AISI 304
7	<b>O-ring</b>	Standard E V	NBR EPDM FKM		
8	<b>Mechanical seal</b>		(Search for the material in the mechanical seal table)		
9	<b>Fill and drain plugs</b>		Brass	CU ZN 40 PB2 UNI 5705/65	C37700





# CMG Series

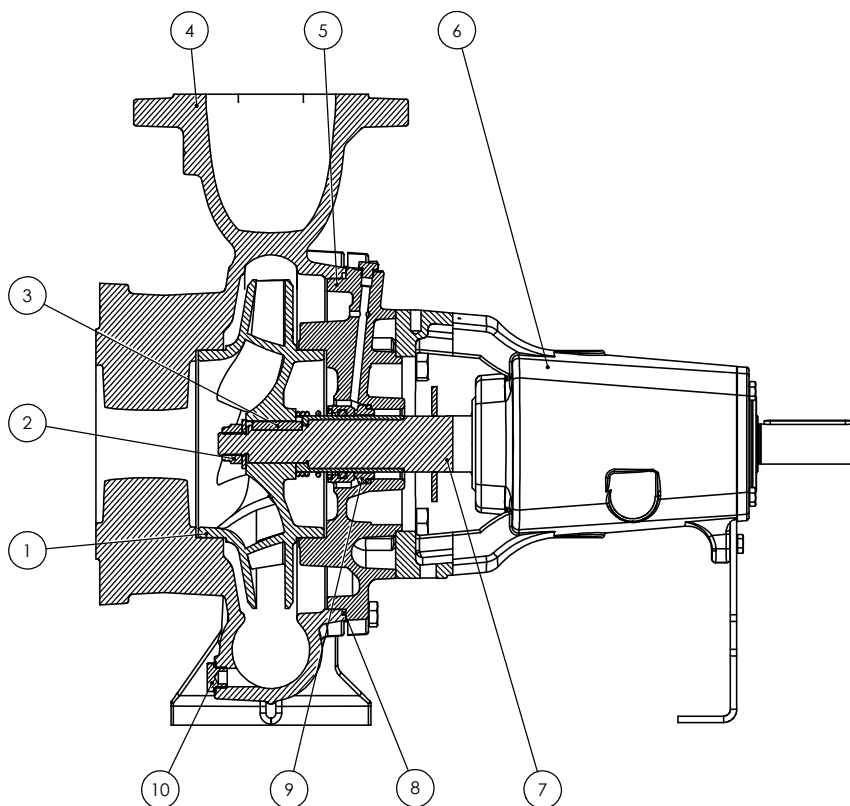
## Models list and materials



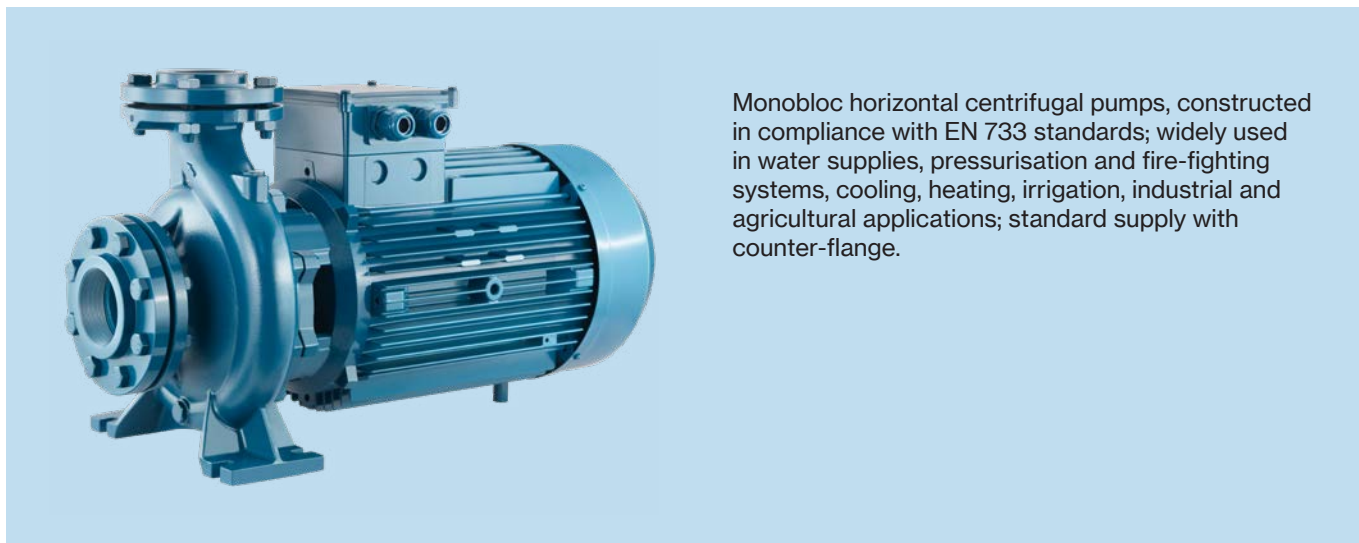
POS. N.	DENOMINATION	VERSION	MATERIAL	REFERENCE STANDARDS	
				EUROPE	USA
1	<b>Impeller</b>	Standard B X	Cast iron G20 Bronze Stainless steel	GJL-200 (JL1030) CuSn10-C (CC480K) X5CrNiMo17-12-2/ 1.4401	ASTM Class 30 UNS C90700 AISI 316
2	<b>Impeller lock nut and washer</b>		Stainless steel	X5CrNiMo17-12-2/ 1.4401	AISI 316
3	<b>Impeller key</b>		Stainless steel	X5CrNiMo17-12-2/ 1.4401	AISI 316
4	<b>Volute casing</b>	Standard X	Cast iron G25 Stainless steel	GJL-250 (JL1040) X5CrNiMo17-12-2/ 1.4401	ASTM Class 35 AISI 316
5	<b>Casing cover</b>	Standard X	Cast iron G20 Stainless steel	GJL-200 (JL1030) X5CrNiMo17-12-2/ 1.4401	ASTM Class 30 AISI 316
6	<b>Motor bracket</b>		Cast iron G20	GJL-200 (JL1030)	ASTM Class 30
7	<b>Stub shaft</b>		Stainless steel	X5CrNiMo17-12-2/ 1.4401	AISI 316
8	<b>O-ring</b>	Standard E V	NBR EPDM FKM		
9	<b>Mechanical seal</b>		(Search for the material in the mechanical seal table)		
10	<b>Fill and drain plugs</b>	Fill and drain plugs	Brass	CU ZN 40 PB2 UNI 5705/65	C37700

# CA-4CA Series

## Models list and materials



POS. N.	DENOMINATION	VERSION	MATERIAL	REFERENCE STANDARDS	
				EUROPE	USA
1	<b>Impeller</b>	Standard	Cast iron G20	GJL-200 (JL1030)	ASTM Class 30
		B	Bronze	CuSn10-C (CC480K)	UNS C90700
		X	Stainless steel	X5CrNiMo17-12-2/ 1.4401	AISI 316
2	<b>Impeller lock nut and washer</b>		Stainless steel	X5CrNiMo17-12-2/ 1.4401	AISI 316
3	<b>Impeller key</b>		Stainless steel	X5CrNiMo17-12-2/ 1.4401	AISI 316
4	<b>Volute casing</b>	Standard for models up to 80-200	Cast iron G20	GJL-200 (JL1030)	ASTM Class 30
		Standard from model 80-250	Cast iron G25	GJL-250 (JL1040)	ASTM Class 35
		X	Stainless steel	X5CrNiMo17-12-2/ 1.4401	AISI 316
5	<b>Casing cover</b>	Standard	Cast iron G20	GJL-200 (JL1030)	ASTM Class 30
		X	Stainless steel	X5CrNiMo17-12-2/ 1.4401	AISI 316
6	<b>Bracket</b>		Cast iron G20	GJL-200 (JL1030)	ASTM Class 30
7	<b>Shaft</b>		Stainless steel	X5CrNiMo17-12-2/ 1.4401	AISI 316
8	<b>O-ring</b>	Standard	NBR		
		E	EPDM		
		V	FKM		
9	<b>Mechanical seal</b>		(Search for the material in the mechanical seal table)		
10	<b>Fill and drain plugs</b>	Standard	Brass	CU ZN 40 PB2 UNI 5705/65	C37700
		X	Stainless steel	X5CrNiMo17-12-2/ 1.4401	AISI 316



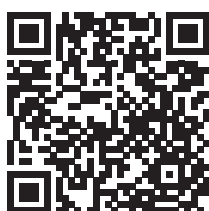
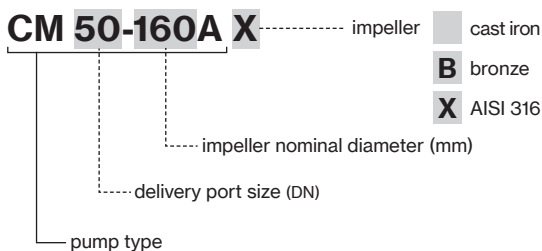
Monobloc horizontal centrifugal pumps, constructed in compliance with EN 733 standards; widely used in water supplies, pressurisation and fire-fighting systems, cooling, heating, irrigation, industrial and agricultural applications; standard supply with counter-flange.

### Construction features

<b>Pump body</b>	cast iron
<b>Motor bracket</b>	cast iron
<b>Impeller</b>	cast iron, bronze or stainless steel
<b>Mechanical seal</b>	ceramic-graphite-NBR
<b>Pump shaft end</b>	stainless steel AISI 304
<b>Liquid temperature</b>	-10 ÷ +90 °C
<b>Operating pressure</b>	max 10 bar

### Motor

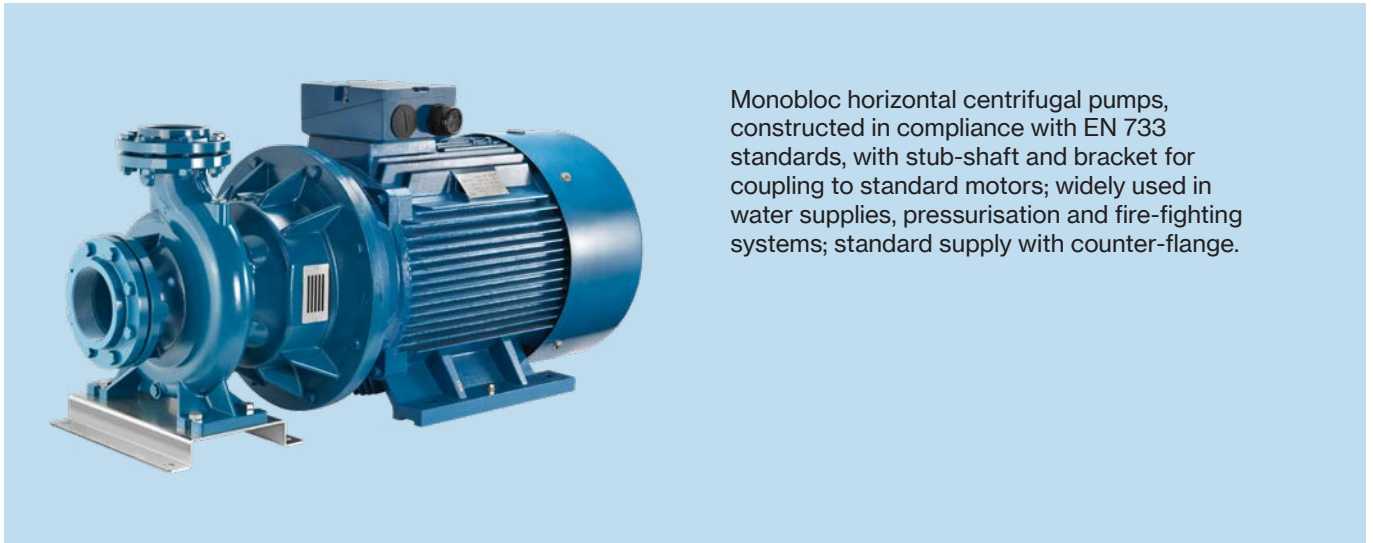
<b>2 Poles induction motor</b>	3~ 230/400V - 50Hz P ≤ 4kW
	3~ 400/690V - 50Hz P > 4kW
	1~ 230V-50Hz
<b>Insulation class</b>	F
<b>Protection degree</b>	IPX5



TYPE	LOTS			
	TRUCK		CONTAINER	
	PALLET (cm)	N° pumps	PALLET (cm)	N° pumps
32-160	80×120×155	24	80×120×190	30
32-200 (C)	80×120×155	24	80×120×180	24
32-200 (A) (A1) (B) (B1)	100×120×140	18	100×120×185	24
32-250 (A)	85×110×120	6	85×110×170	9
32-250 (B) (C)	80×120×120	6	80×120×170	9
40-125	80×120×155	24	80×120×190	30
40-160	80×120×155	24	80×120×190	30
40-200	100×120×140	18	100×120×185	24
40-250 (A)	85×110×120	6	85×110×170	9
40-250 (B) (BM) (C)	80×120×120	6	80×120×170	9
50-125	80×120×120	24	80×120×180	24
50-160	100×120×140	18	100×120×185	24
50-200 (A)	85×110×120	6	85×110×170	9
50-200 (B) (C)	80×120×120	6	80×120×170	9
50-250	80×120×120	6	80×120×170	9
65-125	100×120×140	18	100×120×185	24
65-160	85×110×120	6	85×110×170	9
65-200	85×110×120	6	85×110×170	9
65-250	85×110×130	4	85×110×190	6
80-160	85×110×120	6	85×110×170	9
80-200	85×110×130	4	85×110×190	6
100-160	85×110×130	4	85×110×190	6

# CMG-CMGX ~2900 r.p.m.

Centrifugal Flanged  
EN 733



Monobloc horizontal centrifugal pumps, constructed in compliance with EN 733 standards, with stub-shaft and bracket for coupling to standard motors; widely used in water supplies, pressurisation and fire-fighting systems; standard supply with counter-flange.

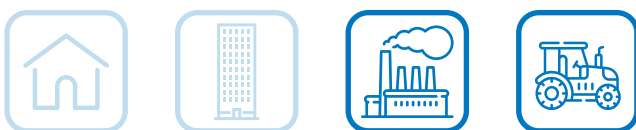
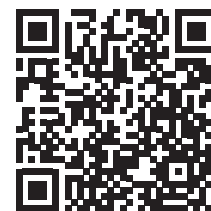
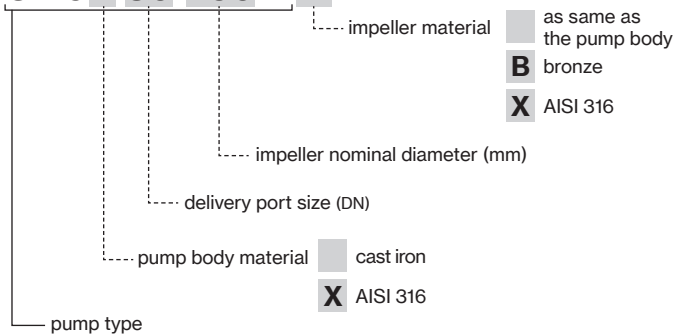
## Construction features

<b>Pump body</b>	cast iron (CMG) stainless steel AISI 316 (CMGX)
<b>Motor bracket</b>	cast iron
<b>Impeller</b>	cast iron, bronze, steel (CMG), steel (CMGX)
<b>Mechanical seal</b>	ceramic-graphite-NBR
<b>Pump shaft end</b>	stainless steel AISI 316
<b>Liquid temperature</b>	-10 ÷ +90 °C
<b>Operating pressure</b>	max 10 bar

## Motor

<b>2 Poles induction motor</b>	3~ 400/690V - 50Hz
<b>Insulation class</b>	F
<b>Protection degree</b>	IPX5

## CMGX 80-250 A



# CA/CAX

~ 2900 r.p.m.

# 4CA/4CAX

~ 1450 r.p.m.

## Centrifugal Flanged EN 733

Bare shaft centrifugal pumps constructed in compliance with EN 733 standards; widely used in water supplies, pressurisation and fire-fighting systems. The pumps are supplied with counter-flange.



CA / 4CA



CAX / 4CAX

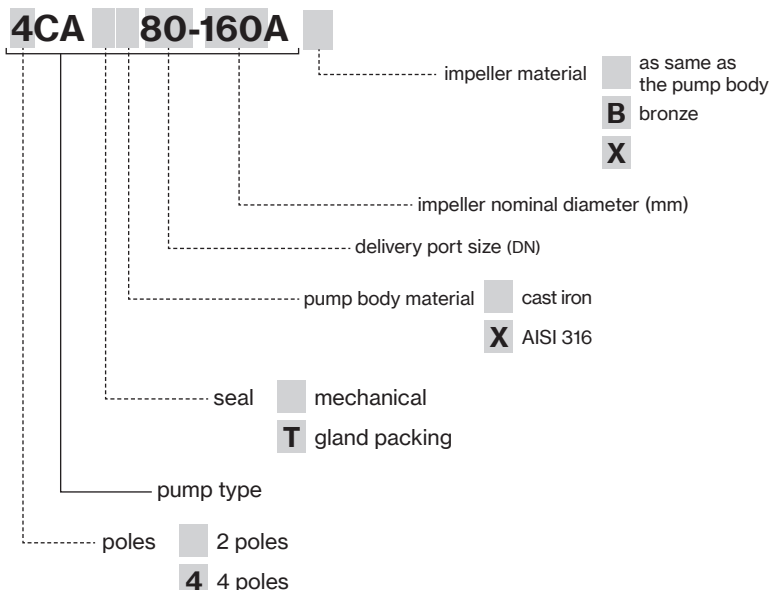


### Construction features

<b>Pump body</b>	cast iron (CA) stainless steel AISI 316 (CAX)
<b>Motor bracket</b>	cast iron
<b>Impeller</b>	cast iron, bronze, steel (CA) stainless steel AISI 316 (CAX)
<b>Seal</b>	mechanical ceramic-graphite-NBR or gland packing graphite impregnated (CAT-CATX)
<b>Pump shaft end</b>	stainless steel AISI 316
<b>Liquid temperature</b>	-10 ÷ +90 °C
<b>Operating pressure</b>	max 10 bar max 14 bar (... -315 ~ 2900 r.p.m.)

### Motor

Available with IE3 efficiency class motor



# CA/CAX

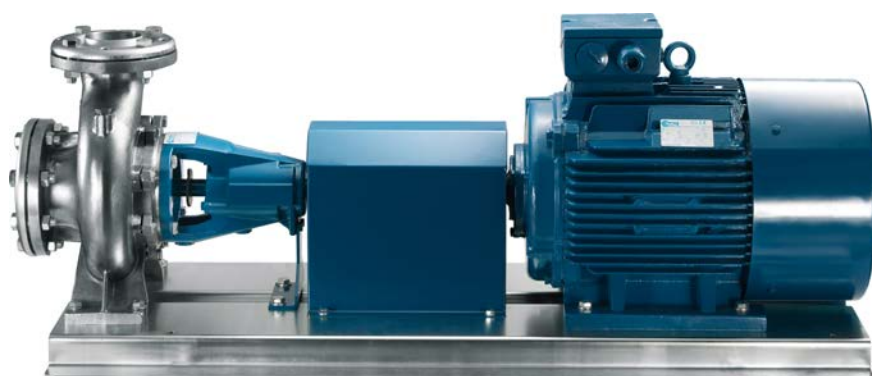
~ 2900 r.p.m.

Centrifugal Flanged  
EN 733

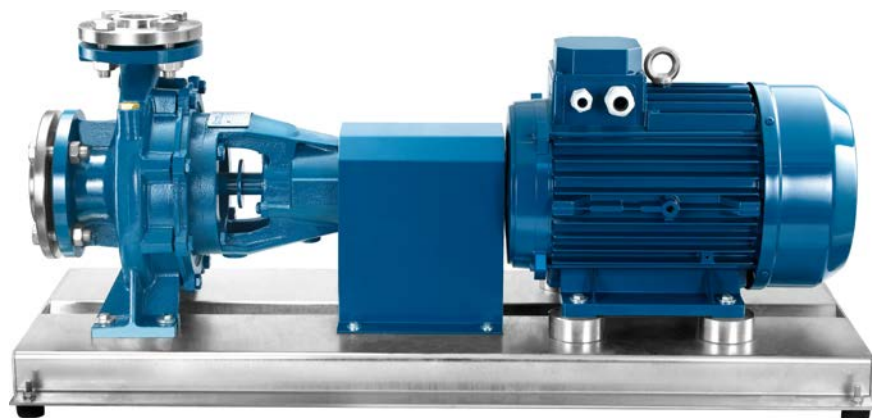
# 4CA /4CAX

~ 1450 r.p.m.

## Construction variants



CAX  
4CAX



CA  
4CA

CA/CAX  
4CA/4CAX  
mechanical seal



CAT/CATX  
4CAT/4CATX  
gland packing seal





TYPE	P <sub>2</sub> nom.		3-		Q (m <sup>3</sup> /h - l/min)																				
			P <sub>1</sub> max kW	A 3x400V 50Hz	0	30	33	36	39	42	45	48	54	60	66	72	78	84	96	108	120	132	138	144	150
	HP	kW			0	500	550	600	650	700	750	800	900	1000	1100	1200	1300	1400	1600	1800	2000	2200	2300	2400	2500
65-125B1	7,5	5,5	6,4	11,3	19,7	20,6	20,5	20,4	20,4	20,3	20,2	20,2	20,0	19,7	19,3	18,8	18,2	17,5	16,3	15,0					
65-125B	7,5	5,5	6,6	11,0	19,7	20,6	20,5	20,4	20,4	20,3	20,2	20,2	20,0	19,7	19,3	18,8	18,2	17,5	16,3	15,0	13,1				
65-125A1	10	7,5	8,6	15,1	24,6	25,2	25,2	25,1	25,1	25,0	24,8	24,9	24,7	24,5	24,2	23,9	23,5	23,0	22,0	20,6	18,8				
65-125A	10	7,5	8,8	14,4	24,6	25,2	25,2	25,1	25,1	25,0	24,9	24,9	24,7	24,5	24,2	23,9	23,5	23,0	22,0	20,6	18,8	16,8			
65-160C	12,5	9,2	10,1	16,8	28,9					30,6	30,5	30,3	30,0	29,6	29,1	28,5	27,9	27,2	25,3	22,9	20,2	17,5	16,0	13,9	
65-160B	15	11	12,7	20,6	33,2					35,1	35,0	34,9	34,6	34,3	33,8	33,3	32,8	32,1	30,4	28,2	25,5	22,5	21,4	20,4	
65-160A	20	15	17,1	28,5	40,1					42,5	42,5	42,5	42,3	42,1	41,8	41,4	41,0	40,4	38,9	37,1	35,3	32,8	31,7	30,9	
65-200C	20	15	17,0	28,3	44,4								46,1	45,4	44,7	44,0	43,2	42,4	40,3	37,5	33,7	28,9	26,8		
65-200B	25	18,5	21,2	34,8	51,7								53,9	53,4	52,7	52,0	51,3	50,4	48,6	45,9	43,0	39,4	37,1	34,6	
65-200A	30	22	25,4	41,7	60,3								61,8	61,4	61,0	60,4	59,8	59,1	57,1	54,6	51,6	48,3	46,5	44,4	
65-250B	40	30	30,8	55,3	80,6								80,6	79,5	78,4	77,1	75,7	74,1	70,4	66,1	61,0	54,7	51,0	47,3	
65-250A	50	37	37,0	69,2	91,6								91,6	90,8	89,8	88,6	87,4	85,9	82,5	77,8	72,8	67,4	64,3	60,8	57,9

TYPE	P <sub>2</sub> nom.		3-		Q (m <sup>3</sup> /h - l/min)																			
			P <sub>1</sub> max kW	A 3x400V 50Hz	0	66	72	78	84	96	108	120	132	138	144	156	168	180	195	210	225	240		
	HP	kW			0	1100	1200	1300	1400	1600	1800	2000	2200	2300	2400	2600	2800	3000	3250	3500	3750	4000		
80-160E	12,5	9,2	9,8	16,3	21,5	22,9	22,5	22,1	21,6	20,8	19,9	18,9	17,7	17,2	16,6	15,3	13,7							
80-160D	15	11	12,2	20,0	25,4	27,3	27,0	26,6	26,3	25,4	24,5	23,5	22,4	21,8	21,2	19,9	18,3	16,4						
80-160C	20	15	14,5	24,5	29,0	30,9	30,7	30,4	30,1	29,4	28,5	27,4	26,3	25,8	25,3	24,1	22,5	20,7	18,4					
80-160B	25	18,5	18,1	30,3	33,6	35,9	35,7	35,4	35,2	34,5	33,7	32,9	32,0	31,6	31,1	30,0	28,6	27,0	24,5	22,0				
80-160A	30	22	22	37	38	40,5	40,4	40,2	40,1	39,6	39,1	38,4	37,5	37,1	36,6	35,4	34,1	32,6	30,4	28,3	23,9			
80-200B	40	30	32,0	57,2	50,4				54,5	53,9	53,2	52,3	51,3	50,7	50,2	48,9	47,4	45,8	43,4	40,9	38,5			
80-200A	50	37	38,6	71,6	57,3				61,7	61,3	60,6	59,4	58,2	57,8	57,5	56,8	55,4	53,7	51,5	49,1	46,6	43,9		

TYPE	P <sub>2</sub> nom.		3-		Q (m <sup>3</sup> /h - l/min)																			
			P <sub>1</sub> max kW	A 3x400V 50Hz	0	96	108	120	132	138	144	156	168	180	195	210	225	240	270	300	330			
	HP	kW			0	1600	1800	2000	2200	2300	2400	2600	2800	3000	3250	3500	3750	4000	4500	5000	5500			
100-160B	40	30	31,9	57,1	41,7	40,7	40,8	40,7	40,4	40,3	40,1	39,6	39,1	38,5	37,8	37,0	36,1	35,0	32,3	29,2	25,7			
100-160A	50	37	37,5	70,2	46,0	45,1	45,2	45,1	44,9	44,8	44,7	44,3	43,9	43,3	42,7	42,0	41,1	40,2	37,9	35,0	31,9			





# CMG-CMGX ~ 2900 r.p.m.

Centrifugal Flanged  
EN 733

TYPE	P <sub>2</sub> nom. kW	Motor Size	Q (m <sup>3</sup> /h - l/min)																			
			0	96	108	120	132	138	144	156	168	180	195	210	225	240	255	270	300	330	360	
			0	1600	1800	2000	2200	2300	2400	2600	2800	3000	3250	3500	3750	4000	4250	4500	5000	5500	6000	
			H (m) pump input power (kW)																			
80-250B	45	225M	77,2	80,0	79,0	77,5	75,3	74,2	73,1	71,0	69,0	67,0	64,5	61,8	58,8							
			<a href="#">14,01</a>	<a href="#">30,93</a>	<a href="#">32,60</a>	<a href="#">34,34</a>	<a href="#">36,13</a>	<a href="#">37,02</a>	<a href="#">37,86</a>	<a href="#">39,38</a>	<a href="#">40,78</a>	<a href="#">42,10</a>	<a href="#">43,60</a>	<a href="#">44,94</a>	<a href="#">46,15</a>							
80-250A	55	250M	90,0	92,8	91,1	89,3	87,4	86,4	85,4	83,1	80,7	78,5	75,7	72,4	68,8	65,2						
			<a href="#">16,74</a>	<a href="#">36,56</a>	<a href="#">38,57</a>	<a href="#">40,54</a>	<a href="#">42,46</a>	<a href="#">43,39</a>	<a href="#">44,31</a>	<a href="#">46,12</a>	<a href="#">47,81</a>	<a href="#">49,29</a>	<a href="#">50,92</a>	<a href="#">52,59</a>	<a href="#">54,18</a>	<a href="#">55,50</a>						
100-200B	45	225M	56,1		56,8	56,5	56,1	55,9	55,6	55,1	54,5	53,9	53,1	52,2	51,4	50,4	49,0	47,5	43,8	39,7		
			<a href="#">21,75</a>		<a href="#">28,84</a>	<a href="#">29,78</a>	<a href="#">30,74</a>	<a href="#">31,24</a>	<a href="#">31,75</a>	<a href="#">32,81</a>	<a href="#">33,89</a>	<a href="#">35,04</a>	<a href="#">36,50</a>	<a href="#">37,82</a>	<a href="#">38,89</a>	<a href="#">39,85</a>	<a href="#">40,77</a>	<a href="#">41,60</a>	<a href="#">42,92</a>	<a href="#">43,82</a>		
100-200A	55	250M	61,1		62,2	61,8	61,5	61,2	61,0	60,5	59,9	59,5	58,9	58,3	57,4	56,4	55,2	53,8	50,6	46,8	42,5	
			<a href="#">24,57</a>		<a href="#">33,04</a>	<a href="#">34,07</a>	<a href="#">35,11</a>	<a href="#">35,64</a>	<a href="#">36,18</a>	<a href="#">37,28</a>	<a href="#">38,39</a>	<a href="#">39,49</a>	<a href="#">40,86</a>	<a href="#">42,23</a>	<a href="#">43,60</a>	<a href="#">44,97</a>	<a href="#">46,20</a>	<a href="#">47,28</a>	<a href="#">49,05</a>	<a href="#">50,53</a>	<a href="#">51,62</a>	
100-250C	55	250M	71,9			73,2	73,1	73,0	72,9	72,6	72,2	71,8	71,1	70,3	69,3	67,9	66,4	64,7	61,0			
	75	280S	<a href="#">24,75</a>			<a href="#">40,12</a>	<a href="#">41,93</a>	<a href="#">42,84</a>	<a href="#">43,70</a>	<a href="#">45,28</a>	<a href="#">46,77</a>	<a href="#">48,21</a>	<a href="#">49,94</a>	<a href="#">51,65</a>	<a href="#">53,38</a>	<a href="#">55,05</a>	<a href="#">56,66</a>	<a href="#">58,19</a>	<a href="#">60,99</a>			
100-250B	75	280S	83,6			83,7	83,5	83,4	83,2	82,9	82,5	82,1	81,4	80,8	80,0	79,0	77,9	76,4	72,0	67,6		
			<a href="#">29,69</a>			<a href="#">47,10</a>	<a href="#">49,06</a>	<a href="#">50,04</a>	<a href="#">51,01</a>	<a href="#">52,92</a>	<a href="#">54,76</a>	<a href="#">56,47</a>	<a href="#">58,46</a>	<a href="#">60,26</a>	<a href="#">61,86</a>	<a href="#">63,49</a>	<a href="#">65,17</a>	<a href="#">66,93</a>	<a href="#">70,91</a>	<a href="#">73,78</a>		
100-250A	90	280M	93,5			93,9	93,7	93,5	93,4	92,9	92,4	91,8	90,9	89,9	88,8	87,4	85,7	84,0	80,4	75,8	73,2	
			<a href="#">32,71</a>			<a href="#">51,99</a>	<a href="#">54,14</a>	<a href="#">55,23</a>	<a href="#">56,31</a>	<a href="#">58,48</a>	<a href="#">60,60</a>	<a href="#">62,57</a>	<a href="#">64,88</a>	<a href="#">66,97</a>	<a href="#">68,84</a>	<a href="#">70,81</a>	<a href="#">72,81</a>	<a href="#">74,73</a>	<a href="#">78,17</a>	<a href="#">81,33</a>	<a href="#">85,53</a>	



TYPE	P <sub>2</sub> nom. kW	Motor Size	Q (m³/h - l/min)														
			0	6	7,5	9	12	15	18	21	24	27	30	33			
			0	100	125	150	200	250	300	350	400	450	500	550			
			H (m) / pump input power (kW)														
32-160C	1,5	90S	23,0 <i>0,57</i>	22,8 <i>0,93</i>	22,5 <i>1,02</i>	22,0 <i>1,10</i>	21,0 <i>1,26</i>	19,2 <i>1,40</i>	16,9 <i>1,52</i>	14,0 <i>1,61</i>							
32-160B	2,2	90L	28,0 <i>0,83</i>	27,7 <i>1,24</i>	27,4 <i>1,35</i>	27,0 <i>1,45</i>	26,2 <i>1,65</i>	24,9 <i>1,83</i>	22,9 <i>1,99</i>	20,1 <i>2,13</i>	17,0 <i>2,25</i>						
32-160A	3	100L	36,1 <i>1,29</i>	36,2 <i>1,80</i>	36,0 <i>1,94</i>	35,6 <i>2,07</i>	34,6 <i>2,32</i>	33,2 <i>2,55</i>	31,4 <i>2,76</i>	28,9 <i>2,94</i>	25,7 <i>3,11</i>	22,1 <i>3,25</i>					
32-200C	4	112M	40,2 <i>1,61</i>	40,3 <i>2,27</i>	40,1 <i>2,45</i>	39,8 <i>2,63</i>	38,9 <i>2,96</i>	37,7 <i>3,27</i>	36,1 <i>3,56</i>	34,2 <i>3,82</i>	31,6 <i>4,08</i>	28,7 <i>4,31</i>					
32-200B	5,5	132S	48,3 <i>2,35</i>	48,0 <i>3,16</i>	47,9 <i>3,37</i>	47,6 <i>3,57</i>	46,7 <i>3,97</i>	45,5 <i>4,35</i>	44,2 <i>4,71</i>	42,6 <i>5,05</i>	40,5 <i>5,36</i>	37,9 <i>5,66</i>	35,4 <i>5,93</i>				
32-200A	7,5	132S	57,9 <i>3,06</i>	58,3 <i>4,03</i>	58,4 <i>4,28</i>	58,4 <i>4,53</i>	58,0 <i>5,02</i>	57,1 <i>5,50</i>	55,6 <i>5,92</i>	53,8 <i>6,34</i>	51,4 <i>6,72</i>	49,2 <i>7,08</i>	46,6 <i>7,42</i>	44,3 <i>7,72</i>			
32-250C	11	160M	74,6 <i>4,25</i>		72,8 <i>5,69</i>	72,5 <i>6,00</i>	71,9 <i>6,59</i>	70,5 <i>7,17</i>	68,8 <i>7,69</i>	66,6 <i>8,17</i>	64,1 <i>8,67</i>	61,3 <i>9,08</i>					
32-250B	11	160M	84,8 <i>5,16</i>		84,0 <i>6,93</i>	83,9 <i>7,29</i>	83,6 <i>7,99</i>	82,7 <i>8,66</i>	81,1 <i>9,28</i>	78,6 <i>9,87</i>	75,4 <i>10,44</i>	73,2 <i>11,05</i>					
32-250A	15	160M	93,5 <i>5,71</i>		93,6 <i>7,59</i>	93,7 <i>7,99</i>	93,7 <i>8,82</i>	93,4 <i>9,59</i>	92,3 <i>10,35</i>	90,4 <i>11,07</i>	87,7 <i>11,72</i>	85,3 <i>12,34</i>					

TYPE	P <sub>2</sub> nom. kW	Motor Size	Q (m³/h - l/min)																
			0	9	12	15	18	21	24	27	30	33	36	39	42	45	48	54	60
			0	150	200	250	300	350	400	450	500	550	600	650	700	750	800	900	1000
			H (m) / pump input power (kW)																
40-125C	1,5	90S	17,9 <i>0,56</i>	18,5 <i>0,96</i>	18,4 <i>1,09</i>	18,1 <i>1,21</i>	17,5 <i>1,31</i>	16,6 <i>1,41</i>	15,6 <i>1,48</i>	14,3 <i>1,53</i>	12,8 <i>1,57</i>	11,1 <i>1,59</i>	9,4 <i>1,60</i>						
40-125B	2,2	90L	22,6 <i>0,82</i>	23,4 <i>1,30</i>	23,3 <i>1,48</i>	23,1 <i>1,63</i>	22,7 <i>1,76</i>	22,0 <i>1,89</i>	21,0 <i>2,00</i>	19,9 <i>2,09</i>	18,6 <i>2,16</i>	17,0 <i>2,22</i>	15,1 <i>2,27</i>	13,2 <i>2,30</i>					
40-125A	3	100L	26,8 <i>1,10</i>	27,6 <i>1,64</i>	27,7 <i>1,83</i>	27,6 <i>2,03</i>	27,2 <i>2,20</i>	26,5 <i>2,37</i>	25,7 <i>2,52</i>	24,6 <i>2,65</i>	23,4 <i>2,76</i>	22,0 <i>2,86</i>	20,3 <i>2,95</i>	18,5 <i>3,02</i>	16,8 <i>3,08</i>				
40-160B	3	100L	28,2 <i>1,26</i>	29,2 <i>1,92</i>	29,2 <i>2,13</i>	28,9 <i>2,33</i>	28,3 <i>2,51</i>	27,5 <i>2,67</i>	26,5 <i>2,82</i>	25,3 <i>2,96</i>	23,8 <i>3,08</i>	22,3 <i>3,17</i>	20,5 <i>3,25</i>						
40-160A	4	112M	33,8 <i>1,62</i>	34,9 <i>2,33</i>	34,8 <i>2,58</i>	34,5 <i>2,81</i>	33,9 <i>3,04</i>	33,2 <i>3,25</i>	32,4 <i>3,44</i>	31,3 <i>3,62</i>	30,0 <i>3,78</i>	28,5 <i>3,93</i>	26,9 <i>4,06</i>	25,2 <i>4,16</i>	23,4 <i>4,25</i>				
40-160AP	5,5	132S	38,6 <i>1,90</i>	39,8 <i>2,76</i>	39,9 <i>3,06</i>	39,8 <i>3,33</i>	39,4 <i>3,60</i>	38,7 <i>3,85</i>	37,9 <i>4,08</i>	37,0 <i>4,29</i>	35,8 <i>4,49</i>	34,4 <i>4,67</i>	32,9 <i>4,84</i>	31,1 <i>5,00</i>	29,3 <i>5,14</i>	27,4 <i>5,27</i>	25,3 <i>5,39</i>		
40-200B	5,5	132S	44,6 <i>2,32</i>	45,5 <i>3,25</i>	45,4 <i>3,62</i>	45,0 <i>3,96</i>	44,5 <i>4,27</i>	43,5 <i>4,57</i>	42,3 <i>4,85</i>	41,0 <i>5,11</i>	39,3 <i>5,35</i>	37,2 <i>5,57</i>	34,9 <i>5,76</i>	32,3 <i>5,94</i>	29,4 <i>6,13</i>				
40-200A	7,5	132S	56,2 <i>3,48</i>	56,5 <i>4,63</i>	56,5 <i>5,08</i>	56,3 <i>5,51</i>	55,9 <i>5,91</i>	55,1 <i>6,31</i>	54,1 <i>6,68</i>	52,8 <i>7,01</i>	51,2 <i>7,32</i>	49,3 <i>7,63</i>	47,0 <i>7,90</i>	44,4 <i>8,14</i>	41,6 <i>8,37</i>				
40-200AP	7,5	132S	61,7 <i>3,50</i>	61,4 <i>4,81</i>	61,2 <i>5,30</i>	60,8 <i>5,74</i>	60,0 <i>6,16</i>	59,1 <i>6,56</i>	57,9 <i>6,95</i>	56,4 <i>7,31</i>	54,7 <i>7,65</i>	53,1 <i>7,96</i>	51,1 <i>8,25</i>	48,5 <i>8,51</i>	45,5 <i>8,73</i>	42,2 <i>8,93</i>			
40-250C	11	160M	64,8 <i>4,23</i>	64,4 <i>5,50</i>	64,2 <i>6,02</i>	63,8 <i>6,56</i>	63,4 <i>7,11</i>	62,7 <i>7,65</i>	61,9 <i>8,14</i>	61,0 <i>8,63</i>	59,8 <i>9,12</i>	57,9 <i>9,57</i>	55,4 <i>10,01</i>						
40-250B	11	160M	73,7 <i>5,33</i>	73,9 <i>6,74</i>	74,5 <i>7,38</i>	73,2 <i>7,96</i>	71,9 <i>8,53</i>	71,1 <i>9,10</i>	70,2 <i>9,69</i>	69,2 <i>10,28</i>	68,1 <i>10,87</i>	66,7 <i>11,43</i>	64,7 <i>11,91</i>	62,1 <i>12,39</i>					
40-250A	15	160M	82,6 <i>6,57</i>	84,6 <i>8,36</i>	84,8 <i>9,03</i>	84,7 <i>9,74</i>	84,3 <i>10,45</i>	83,4 <i>11,11</i>	82,4 <i>11,76</i>	81,3 <i>12,44</i>	80,0 <i>13,08</i>	78,5 <i>13,66</i>	76,9 <i>14,23</i>	75,4 <i>14,80</i>	72,8 <i>15,37</i>	69,0 <i>15,93</i>			
40-250BM max 14 bar	18,5	160L	92,6 <i>7,41</i>	93,2 <i>9,12</i>	93,3 <i>9,78</i>	93,2 <i>10,48</i>	93,1 <i>11,18</i>	92,8 <i>11,91</i>	92,4 <i>12,65</i>	91,7 <i>13,38</i>	90,9 <i>14,06</i>	89,8 <i>14,73</i>	88,3 <i>15,38</i>	86,5 <i>16,00</i>	84,6 <i>16,60</i>	82,3 <i>17,18</i>	79,5 <i>17,74</i>	72,0 <i>18,83</i>	
40-250AM max 14 bar	22	180M	101,7 <i>8,80</i>	103,0 <i>10,63</i>	102,8 <i>11,26</i>	102,3 <i>11,93</i>	102,2 <i>12,69</i>	102,0 <i>13,46</i>	101,7 <i>14,21</i>	101,2 <i>14,97</i>	100,4 <i>15,74</i>	99,4 <i>16,50</i>	98,1 <i>17,22</i>	96,5 <i>17,92</i>	94,8 <i>18,61</i>	93,1 <i>19,29</i>	90,9 <i>19,96</i>	85,0 <i>21,28</i>	77,5 <i>22,45</i>











TYPE	P <sub>2</sub> nom. kW	Motor Size	Q (m³/h - l/min)															
			0	42	48	60	72	84	96	102	108	120	132	144	150	156	168	
			0	700	800	1000	1200	1400	1600	1700	1800	2000	2200	2400	2500	2600	2800	
H (m) / pump input power (kW)																		
80-315B	11	160M	27,7 <u>2,99</u>	28,3 <u>5,48</u>	28,2 <u>5,88</u>	27,9 <u>6,67</u>	27,2 <u>7,42</u>	26,4 <u>8,09</u>	25,4 <u>8,67</u>	24,9 <u>8,95</u>	24,4 <u>9,21</u>	23,3 <u>9,74</u>	21,9 <u>10,28</u>	20,5 <u>10,66</u>	19,9 <u>10,85</u>			
80-315A	15	160L	34,5 <u>4,29</u>	35,0 <u>7,30</u>	34,9 <u>7,78</u>	34,6 <u>8,75</u>	34,0 <u>9,66</u>	33,3 <u>10,53</u>	32,4 <u>11,37</u>	31,9 <u>11,77</u>	31,3 <u>12,17</u>	30,1 <u>12,91</u>	28,8 <u>13,50</u>	27,3 <u>14,05</u>	26,4 <u>14,31</u>	25,5 <u>14,56</u>	23,7 <u>15,04</u>	

TYPE	P <sub>2</sub> nom. kW	Motor Size	Q (m³/h - l/min)																	
			0	48	60	72	84	96	102	108	120	132	144	150	156	168	180	192	204	
			0	800	1000	1200	1400	1600	1700	1800	2000	2200	2400	2500	2600	2800	3000	3200	3400	
H (m) / pump input power (kW)																				
100-200B	5,5	132S	13,5 <u>2,79</u>	13,6 <u>3,48</u>	13,4 <u>3,70</u>	13,1 <u>3,93</u>	12,8 <u>4,15</u>	12,5 <u>4,38</u>	12,3 <u>4,49</u>	12,1 <u>4,59</u>	11,6 <u>4,77</u>	11,0 <u>4,93</u>	10,3 <u>5,05</u>	9,9 <u>5,09</u>	9,5 <u>5,13</u>	8,7 <u>5,19</u>	7,8 <u>5,23</u>			
100-200A	7,5	132M	15,2 <u>3,12</u>	15,4 <u>3,96</u>	15,3 <u>4,22</u>	15,0 <u>4,48</u>	14,8 <u>4,74</u>	14,5 <u>5,03</u>	14,4 <u>5,17</u>	14,2 <u>5,31</u>	13,8 <u>5,58</u>	13,2 <u>5,80</u>	12,5 <u>5,99</u>	12,2 <u>6,07</u>	11,8 <u>6,13</u>	11,0 <u>6,23</u>	10,1 <u>6,33</u>	9,1 <u>6,40</u>		
100-250E	7,5	132M	16,7 <u>3,06</u>		16,9 <u>4,71</u>	16,8 <u>5,06</u>	16,6 <u>5,42</u>	16,3 <u>5,75</u>	16,2 <u>5,91</u>	16,0 <u>6,07</u>	15,5 <u>6,39</u>	14,8 <u>6,69</u>	14,0 <u>6,96</u>	13,6 <u>7,08</u>	13,2 <u>7,19</u>	12,4 <u>7,38</u>	11,4 <u>7,53</u>			
100-250D	7,5 11	132M 160M	19,6 <u>3,39</u>		19,6 <u>5,44</u>	19,4 <u>5,88</u>	19,2 <u>6,29</u>	18,9 <u>6,66</u>	18,7 <u>6,82</u>	18,5 <u>6,98</u>	18,0 <u>7,30</u>	17,4 <u>7,60</u>	16,6 <u>7,90</u>	16,2 <u>8,05</u>	15,7 <u>8,19</u>	14,8 <u>8,41</u>	13,7 <u>8,60</u>	12,7 <u>8,75</u>		
100-250A	11	160M	22,6 <u>3,96</u>		22,3 <u>6,17</u>	22,1 <u>6,67</u>	21,8 <u>7,15</u>	21,4 <u>7,59</u>	21,2 <u>7,80</u>	21,0 <u>8,00</u>	20,5 <u>8,37</u>	19,9 <u>8,71</u>	19,1 <u>9,04</u>	18,7 <u>9,20</u>	18,3 <u>9,36</u>	17,3 <u>9,63</u>	16,1 <u>9,85</u>	15,0 <u>10,04</u>	13,8 <u>10,19</u>	

TYPE	P <sub>2</sub> nom. kW	Motor Size	Q (m³/h - l/min)																
			0	72	84	96	102	108	120	132	144	150	156	168	180	192	204	216	
			0	1200	1400	1600	1700	1800	2000	2200	2400	2500	2600	2800	3000	3200	3400	3600	
H (m) / pump input power (kW)																			
100-315B	15	160L	31,8 <u>4,74</u>	31,4 <u>9,27</u>	30,6 <u>10,05</u>	29,8 <u>9,67</u>	29,4 <u>10,05</u>	29,0 <u>11,42</u>	28,2 <u>11,10</u>	27,3 <u>12,54</u>	26,3 <u>12,27</u>	25,8 <u>12,54</u>	25,3 <u>13,54</u>	24,2 <u>13,06</u>	23,0 <u>14,31</u>	21,4 <u>13,54</u>	19,7 <u>14,92</u>	17,9 <u>15,14</u>	
100-315A	18,5	180M	37,1 <u>5,63</u>	36,5 <u>11,03</u>	35,7 <u>11,94</u>	34,9 <u>12,80</u>	34,4 <u>13,21</u>	34,0 <u>13,60</u>	33,1 <u>14,33</u>	32,2 <u>15,01</u>	31,2 <u>15,69</u>	30,7 <u>16,02</u>	30,2 <u>16,32</u>	29,1 <u>16,86</u>	27,9 <u>17,32</u>	26,3 <u>17,76</u>	24,7 <u>18,15</u>	23,1 <u>18,49</u>	

TYPE	P <sub>2</sub> nom. kW	Motor Size	Q (m³/h - l/min)																		
			0	84	96	102	108	120	132	144	150	156	168	180	192	204	216	228	240	252	
			0	1400	1600	1700	1800	2000	2200	2400	2500	2600	2800	3000	3200	3400	3600	3800	4000	4200	
H (m) / pump input power (kW)																					
100-400C	22	180L	42,4 <u>6,93</u>	40,6 <u>14,36</u>	39,8 <u>15,34</u>	39,3 <u>15,81</u>	38,8 <u>16,27</u>	37,8 <u>17,14</u>	36,7 <u>17,98</u>	35,5 <u>18,83</u>	34,9 <u>19,25</u>	34,3 <u>19,64</u>	32,8 <u>20,30</u>	31,4 <u>20,95</u>	30,3 <u>21,50</u>	29,1 <u>21,91</u>	27,7 <u>22,31</u>	25,8 <u>22,70</u>			
100-400B	30	200L	50,3 <u>9,32</u>	48,7 <u>18,20</u>	47,9 <u>19,51</u>	47,5 <u>20,14</u>	47,0 <u>20,75</u>	46,0 <u>21,93</u>	44,9 <u>23,04</u>	43,8 <u>24,07</u>	43,2 <u>24,56</u>	42,6 <u>25,03</u>	41,3 <u>25,95</u>	39,8 <u>26,80</u>	38,2 <u>27,61</u>	36,5 <u>28,36</u>	34,7 <u>29,01</u>	33,1 <u>29,56</u>	31,6 <u>30,00</u>		
100-400A	37	225S	58,3 <u>11,46</u>	56,0 <u>21,50</u>	55,2 <u>23,05</u>	54,8 <u>23,80</u>	54,3 <u>24,54</u>	53,4 <u>25,95</u>	52,4 <u>27,31</u>	51,3 <u>28,63</u>	50,7 <u>29,27</u>	50,1 <u>29,89</u>	48,7 <u>31,07</u>	47,3 <u>32,15</u>	45,8 <u>33,12</u>	44,3 <u>34,00</u>	42,7 <u>34,77</u>	40,9 <u>35,48</u>	38,8 <u>36,11</u>	36,7 <u>36,69</u>	

TYPE	P <sub>2</sub> nom. kW	Motor Size	Q (m³/h - l/min)																
			0	102	108	120	132	144	150	156	168	180	192	204	216	228	240	252	276
			0	1700	1800	2000	2200	2400	2500	2600	2800	3000	3200	3400	3600	3800	4000	4200	4600
H (m) / pump input power (kW)																			
125-250B	11	160M	19,6 <u>5,41</u>	20,2 <u>8,04</u>	20,0 <u>8,22</u>	19,7 <u>8,56</u>	19,2 <u>8,80</u>	18,8 <u>9,30</u>	18,5 <u>9,50</u>	18,2 <u>9,66</u>	17,6 <u>9,99</u>	16,9 <u>10,23</u>	16,1 <u>10,44</u>	15,2 <u>10,67</u>	14,3 <u>10,88</u>	13,3 <u>11,02</u>	12,2 <u>11,12</u>	11,1 <u>11,18</u>	
125-250A	15	160L	23,2 <u>6,18</u>	24,0 <u>9,71</u>	23,8 <u>9,92</u>	23,5 <u>10,36</u>	23,2 <u>10,80</u>	22,8 <u>11,24</u>	22,6 <u>11,47</u>	22,4 <u>11,70</u>	21,9 <u>12,16</u>	21,3 <u>12,60</u>	20,7 <u>13,02</u>	20,0 <u>13,42</u>	19,3 <u>13,77</u>	18,5 <u>14,08</u>	17,6 <u>14,34</u>	16,6 <u>14,57</u>	14,7 <u>14,94</u>



# 4CA-4CAX ~ EN 733

TYPE	P <sub>2</sub> nom. kW	Motor Size	Q (m <sup>3</sup> /h - l/min)																					
			0	120	132	144	150	156	168	180	192	204	216	228	240	252	276	348	372	396				
			0	2000	2200	2400	2500	2600	2800	3000	3200	3400	3600	3800	4000	4200	4600	5800	6200	6600				
			H (m) / pump input power (kW)																					
125-315C	22	180L	24,1 <a href="#">7,23</a>	25,8 <a href="#">12,72</a>	25,7 <a href="#">13,39</a>	25,5 <a href="#">14,05</a>	25,4 <a href="#">14,38</a>	25,3 <a href="#">14,70</a>	25,0 <a href="#">15,34</a>	24,7 <a href="#">15,95</a>	24,4 <a href="#">16,49</a>	24,1 <a href="#">16,99</a>	23,7 <a href="#">17,48</a>	23,3 <a href="#">17,98</a>	22,8 <a href="#">18,49</a>	22,2 <a href="#">18,99</a>	21,0 <a href="#">19,96</a>	15,7 <a href="#">22,32</a>						
125-315B	30	200L	31,5 <a href="#">9,52</a>	33,0 <a href="#">16,73</a>	33,0 <a href="#">17,53</a>	32,9 <a href="#">18,36</a>	32,8 <a href="#">18,77</a>	32,7 <a href="#">19,15</a>	32,4 <a href="#">19,84</a>	32,1 <a href="#">20,43</a>	31,7 <a href="#">21,01</a>	31,3 <a href="#">21,67</a>	31,0 <a href="#">22,39</a>	30,6 <a href="#">23,13</a>	30,1 <a href="#">23,83</a>	29,6 <a href="#">24,48</a>	28,3 <a href="#">25,71</a>	24,2 <a href="#">29,14</a>	22,2 <a href="#">30,13</a>					
125-315A	37	225S	38,6 <a href="#">11,88</a>	39,6 <a href="#">20,51</a>	39,5 <a href="#">21,40</a>	39,2 <a href="#">22,29</a>	39,0 <a href="#">22,73</a>	38,8 <a href="#">23,17</a>	38,4 <a href="#">24,03</a>	38,1 <a href="#">24,84</a>	37,9 <a href="#">25,60</a>	37,6 <a href="#">26,36</a>	37,3 <a href="#">27,14</a>	37,0 <a href="#">27,97</a>	36,6 <a href="#">28,82</a>	36,2 <a href="#">29,66</a>	35,2 <a href="#">31,26</a>	29,6 <a href="#">35,58</a>	28,2 <a href="#">36,82</a>					
125-400C	45	225M	46,2 <a href="#">13,91</a>	47,6 <a href="#">24,65</a>	47,5 <a href="#">25,83</a>	47,2 <a href="#">27,03</a>	47,0 <a href="#">27,62</a>	46,9 <a href="#">28,20</a>	46,5 <a href="#">29,31</a>	46,1 <a href="#">30,30</a>	45,7 <a href="#">31,22</a>	45,2 <a href="#">32,17</a>	44,7 <a href="#">33,24</a>	44,2 <a href="#">34,42</a>	43,7 <a href="#">35,62</a>	43,2 <a href="#">36,73</a>	42,4 <a href="#">38,53</a>	36,5 <a href="#">43,95</a>	33,8 <a href="#">45,52</a>					
125-400B	55	250M	53,4 <a href="#">16,79</a>	54,5 <a href="#">28,74</a>	54,3 <a href="#">30,15</a>	54,1 <a href="#">31,55</a>	54,0 <a href="#">32,25</a>	53,9 <a href="#">32,94</a>	53,5 <a href="#">34,30</a>	53,2 <a href="#">35,60</a>	52,7 <a href="#">36,85</a>	52,3 <a href="#">38,07</a>	51,7 <a href="#">39,30</a>	51,2 <a href="#">40,56</a>	50,6 <a href="#">41,82</a>	50,0 <a href="#">43,06</a>	48,8 <a href="#">45,43</a>	44,6 <a href="#">51,75</a>	42,0 <a href="#">53,55</a>	39,1 <a href="#">55,27</a>				
125-400A	75	280S	58,6 <a href="#">18,95</a>	59,5 <a href="#">31,66</a>	59,4 <a href="#">33,20</a>	59,2 <a href="#">34,74</a>	59,1 <a href="#">35,52</a>	59,0 <a href="#">36,29</a>	58,7 <a href="#">37,81</a>	58,3 <a href="#">39,30</a>	57,8 <a href="#">40,77</a>	57,4 <a href="#">42,22</a>	56,8 <a href="#">43,66</a>	56,3 <a href="#">45,09</a>	55,7 <a href="#">46,50</a>	55,1 <a href="#">47,87</a>	53,9 <a href="#">50,49</a>	49,9 <a href="#">57,63</a>	47,2 <a href="#">59,76</a>	45,0 <a href="#">61,83</a>				

TYPE	P <sub>2</sub> nom. kW	Motor Size	Q (m <sup>3</sup> /h - l/min)																					
			0	144	150	156	168	180	192	204	216	228	240	252	276	348	372	396	444	492	540	564		
			0	2400	2500	2600	2800	3000	3200	3400	3600	3800	4000	4200	4600	5800	6200	6600	7400	8200	9000	9400		
			H (m) / pump input power (kW)																					
150-315D	30	200L	25,7 <a href="#">12,22</a>	28,3 <a href="#">18,44</a>	28,3 <a href="#">18,74</a>	28,3 <a href="#">19,04</a>	28,2 <a href="#">19,63</a>	28,1 <a href="#">20,19</a>	27,9 <a href="#">20,71</a>	27,7 <a href="#">21,22</a>	27,5 <a href="#">21,72</a>	27,2 <a href="#">22,23</a>	26,8 <a href="#">22,73</a>	26,5 <a href="#">23,25</a>	25,8 <a href="#">24,37</a>	24,7 <a href="#">27,81</a>	23,8 <a href="#">28,75</a>	22,7 <a href="#">29,56</a>	19,6 <a href="#">30,78</a>					
150-315C	37	225S	29,6 <a href="#">14,01</a>	32,2 <a href="#">21,16</a>	32,2 <a href="#">21,49</a>	32,3 <a href="#">21,84</a>	32,2 <a href="#">22,52</a>	32,2 <a href="#">23,20</a>	32,1 <a href="#">23,85</a>	31,9 <a href="#">24,45</a>	31,6 <a href="#">25,02</a>	31,3 <a href="#">25,58</a>	31,0 <a href="#">26,14</a>	30,7 <a href="#">26,73</a>	30,2 <a href="#">28,01</a>	28,6 <a href="#">31,79</a>	27,9 <a href="#">32,95</a>	27,0 <a href="#">34,00</a>	24,7 <a href="#">35,84</a>	21,8 <a href="#">37,45</a>				
150-315B	45	225M	34,0 <a href="#">16,47</a>	36,3 <a href="#">24,33</a>	36,2 <a href="#">24,72</a>	36,2 <a href="#">25,12</a>	36,2 <a href="#">25,92</a>	36,1 <a href="#">26,72</a>	36,0 <a href="#">27,47</a>	35,7 <a href="#">28,17</a>	35,5 <a href="#">28,85</a>	35,4 <a href="#">29,51</a>	35,2 <a href="#">30,15</a>	34,9 <a href="#">30,83</a>	34,5 <a href="#">32,25</a>	32,8 <a href="#">36,29</a>	32,2 <a href="#">37,54</a>	31,3 <a href="#">38,77</a>	29,3 <a href="#">41,13</a>	26,9 <a href="#">43,09</a>	23,6 <a href="#">44,99</a>			
150-315A	55	250M	39,4 <a href="#">18,39</a>	41,0 <a href="#">27,78</a>	41,0 <a href="#">28,22</a>	40,8 <a href="#">28,66</a>	40,8 <a href="#">29,55</a>	40,8 <a href="#">30,43</a>	40,8 <a href="#">31,31</a>	40,6 <a href="#">32,18</a>	40,3 <a href="#">33,05</a>	40,0 <a href="#">33,92</a>	39,7 <a href="#">34,77</a>	39,5 <a href="#">35,59</a>	39,2 <a href="#">37,10</a>	37,6 <a href="#">41,75</a>	36,6 <a href="#">43,40</a>	35,8 <a href="#">45,02</a>	34,1 <a href="#">48,12</a>	31,7 <a href="#">50,36</a>	28,9 <a href="#">52,60</a>	27,2 <a href="#">53,65</a>		

TYPE	P <sub>2</sub> nom. kW	Motor Size	Q (m <sup>3</sup> /h - l/min)																					
			0	168	180	192	204	216	228	240	252	276	348	372	396	444	492	540	564	588	612			
			0	2800	3000	3200	3400	3600	3800	4000	4200	4600	5800	6200	6600	7400	8200	9000	9400	9800	10200			
			H (m) / pump input power (kW)																					
150-400C	75	280S	45,6 <a href="#">20,78</a>	47,8 <a href="#">35,35</a>	47,7 <a href="#">36,41</a>	47,6 <a href="#">37,46</a>	47,4 <a href="#">38,54</a>	47,2 <a href="#">39,58</a>	47,0 <a href="#">40,43</a>	46,7 <a href="#">41,65</a>	46,5 <a href="#">42,62</a>	45,8 <a href="#">44,48</a>	43,9 <a href="#">50,44</a>	43,1 <a href="#">52,51</a>	42,0 <a href="#">54,34</a>	39,2 <a href="#">57,61</a>	35,8 <a href="#">60,59</a>	31,5 <a href="#">63,18</a>	28,7 <a href="#">64,43</a>					
150-400B	75	280S	52,8 <a href="#">26,57</a>	54,4 <a href="#">41,90</a>	54,2 <a href="#">43,10</a>	53,9 <a href="#">44,29</a>	53,5 <a href="#">45,48</a>	53,2 <a href="#">46,65</a>	52,9 <a href="#">47,81</a>	52,6 <a href="#">48,96</a>	52,6 <a href="#">50,10</a>	51,8 <a href="#">52,35</a>	50,3 <a href="#">58,79</a>	49,8 <a href="#">60,86</a>	48,9 <a href="#">62,94</a>	46,1 <a href="#">66,80</a>	42,9 <a href="#">70,20</a>	39,1 <a href="#">73,30</a>	36,7 <a href="#">74,72</a>	34,3 <a href="#">76,14</a>				
150-400A	90	280M	59,0 <a href="#">29,82</a>	60,3 <a href="#">47,01</a>	60,2 <a href="#">48,30</a>	60,0 <a href="#">49,59</a>	59,8 <a href="#">50,88</a>	59,9 <a href="#">52,18</a>	59,4 <a href="#">53,48</a>	59,1 <a href="#">54,78</a>	58,8 <a href="#">56,10</a>	58,1 <a href="#">58,76</a>	56,4 <a href="#">66,15</a>	56,0 <a href="#">68,45</a>	55,3 <a href="#">70,93</a>	53,3 <a href="#">75,79</a>	50,6 <a href="#">79,82</a>	46,7 <a href="#">83,73</a>	44,5 <a href="#">85,61</a>	42,2 <a href="#">87,41</a>	39,8 <a href="#">89,16</a>			





**4CA-4CAX ~ 1450 r.p.m.**

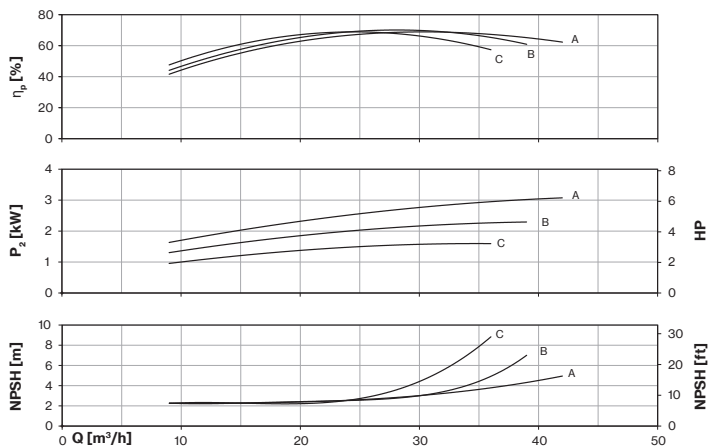
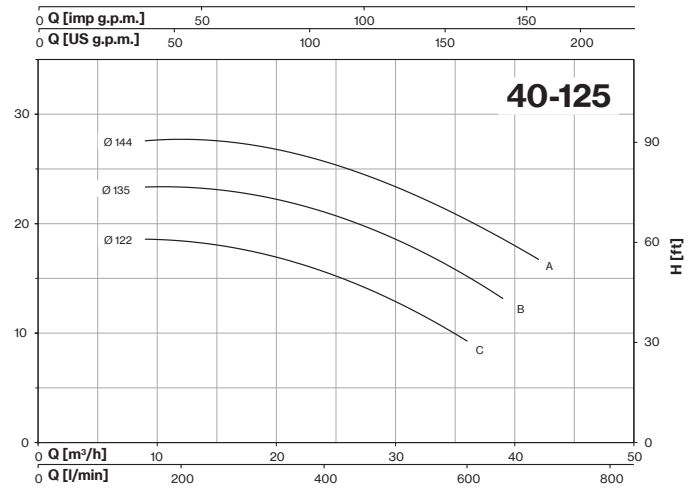
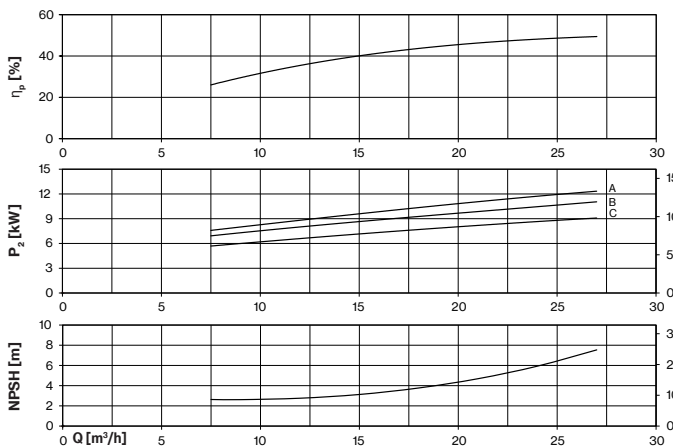
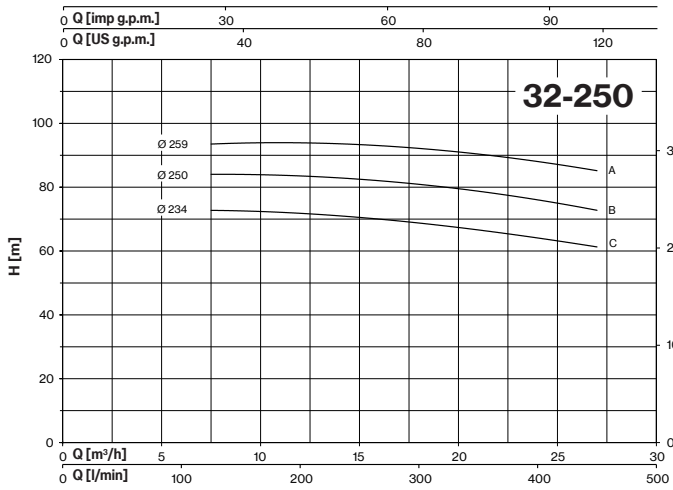
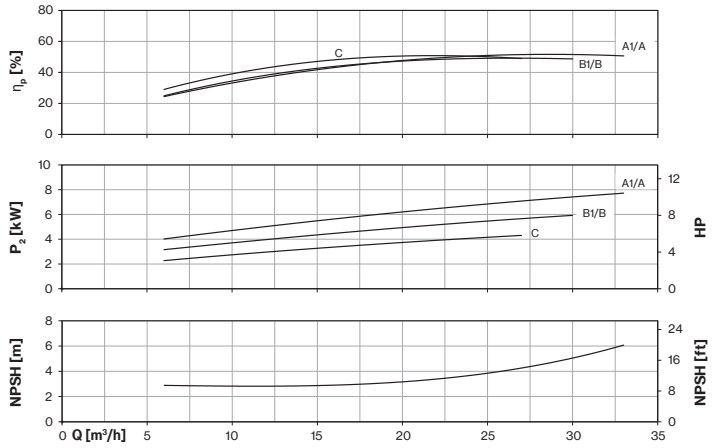
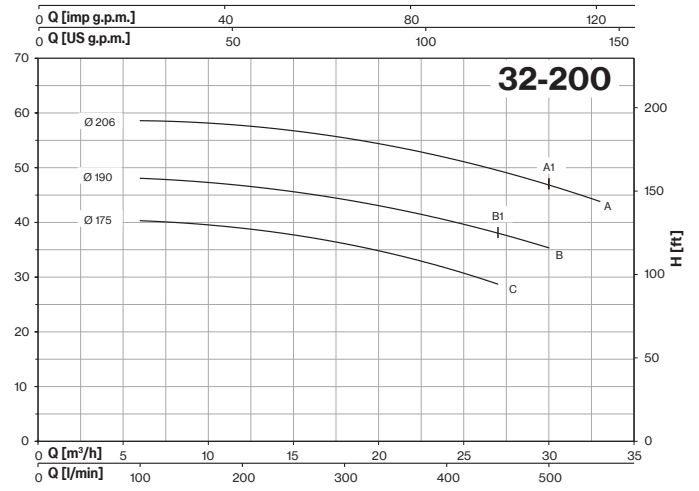
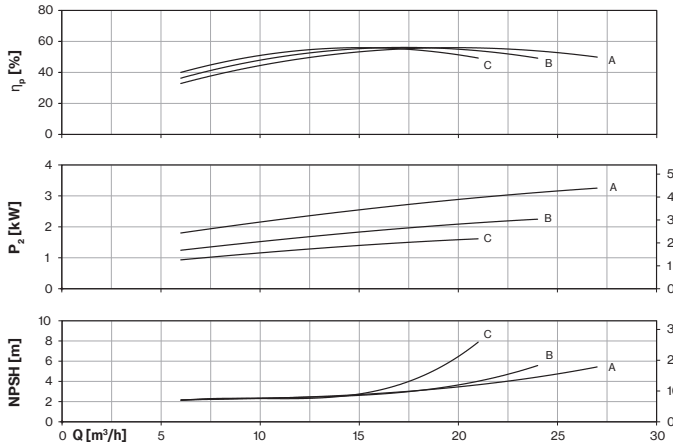
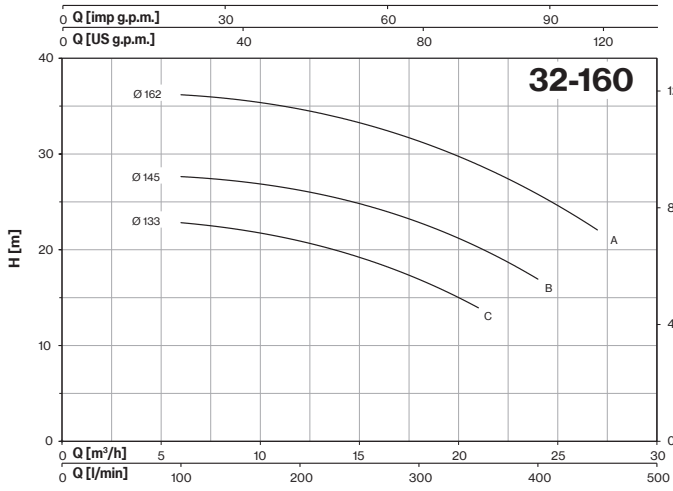
Machines complementing the existing range, not envisaged in the EN 733 standard

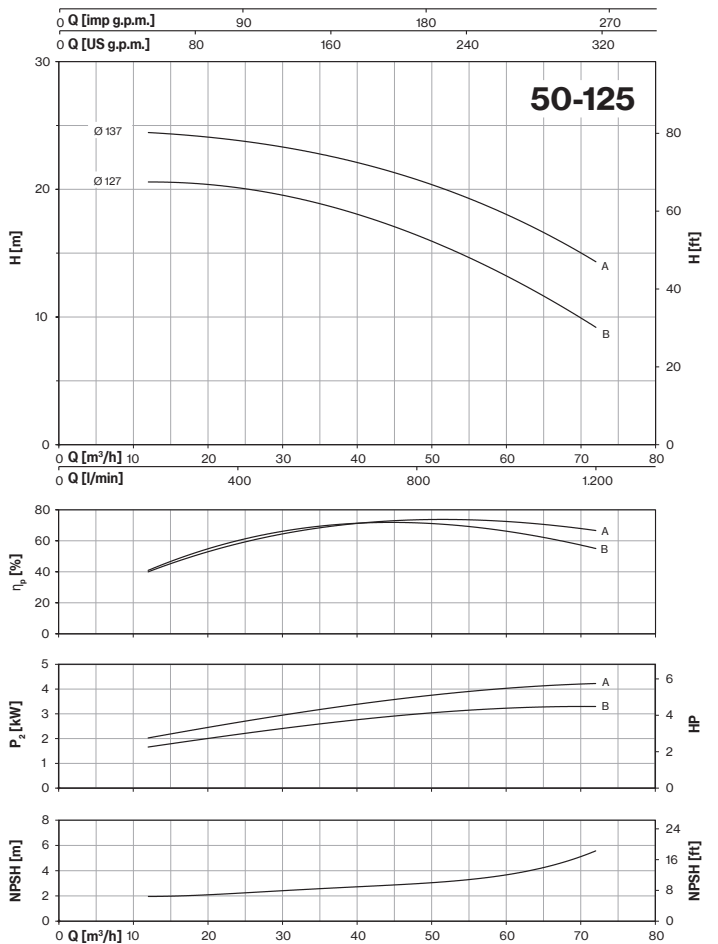
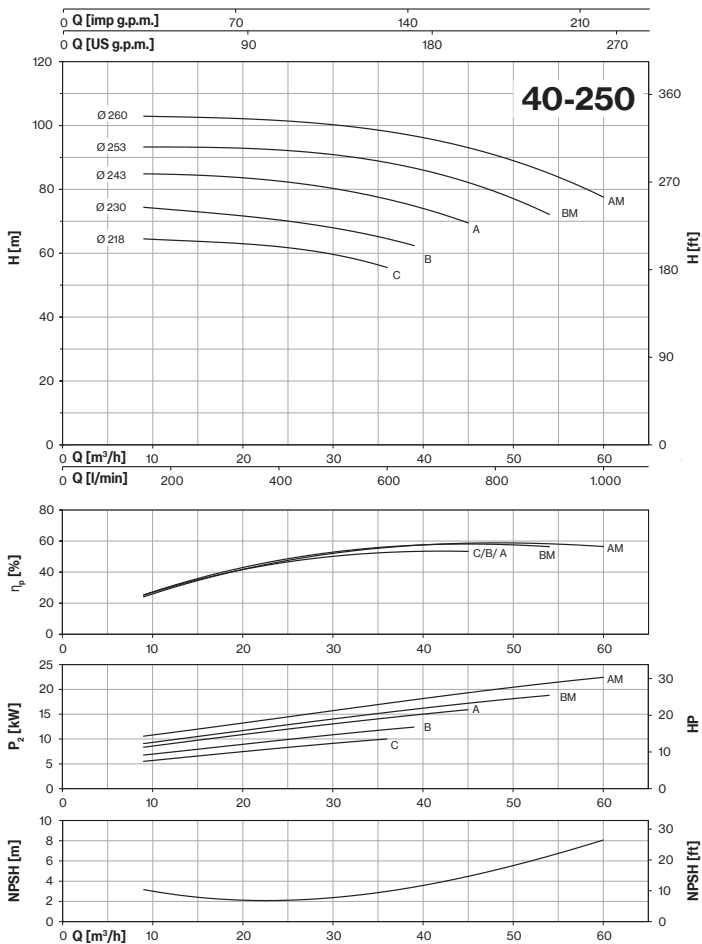
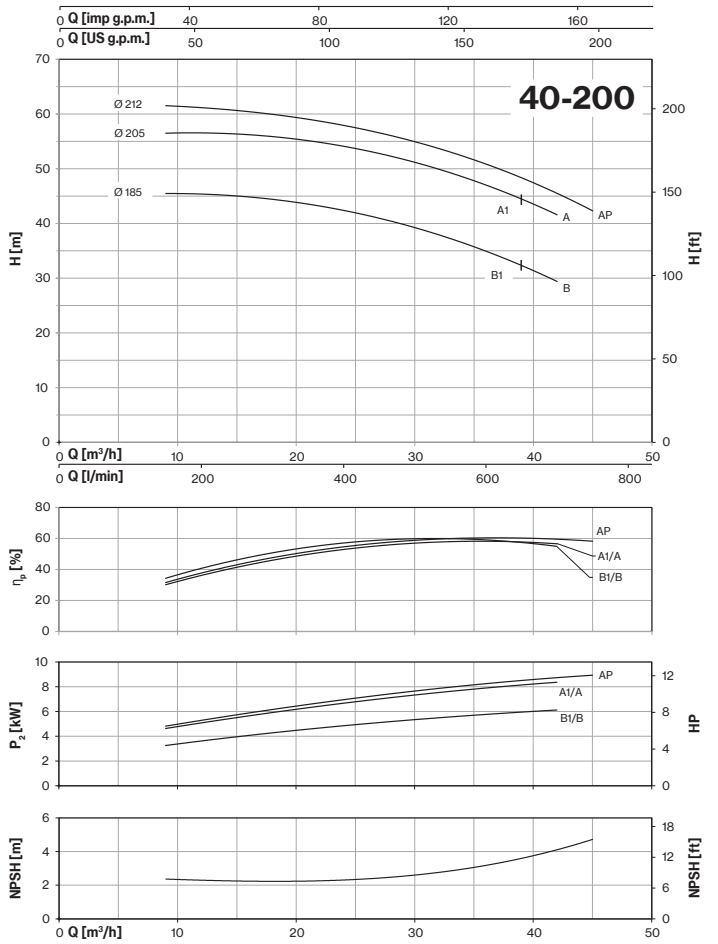
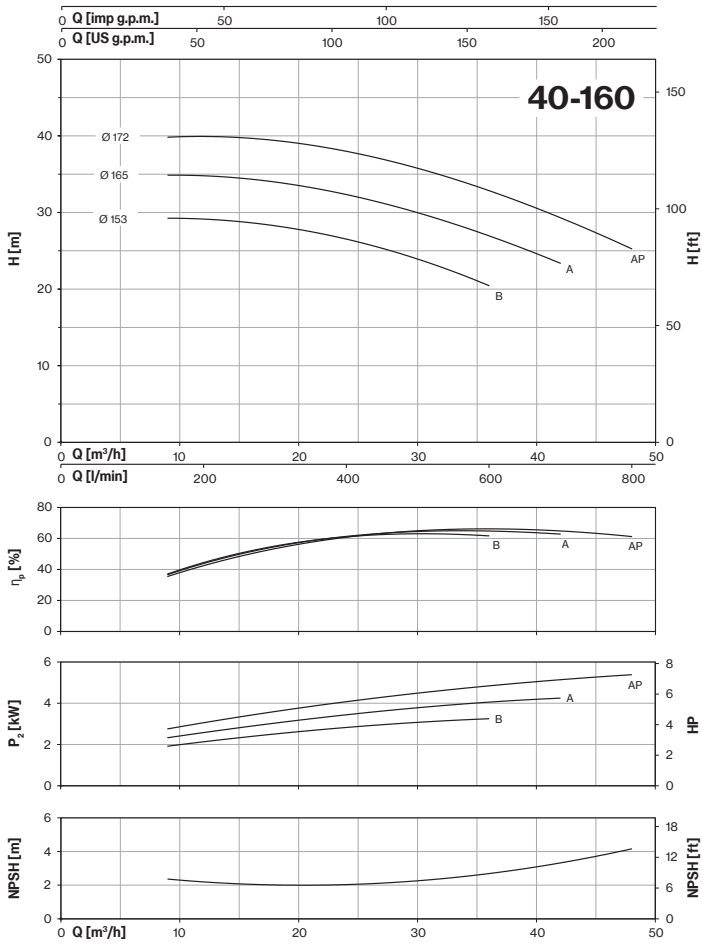
TYPE	P <sub>2</sub> nom. kW	Motor Size	Q (m <sup>3</sup> /h - l/min)											
			0	200	250	400	600	800	850	900				
			0	3333	4167	6667	10000	13333	14167	15000				
H (m) / pump input power (kW)														
200-315D	37	225S	21,2 <u>18,00</u>	21,7 <u>24,31</u>	21,8 <u>26,11</u>	21,2 <u>31,21</u>	18,3 <u>36,07</u>	12,5 <u>37,00</u>						
200-315C	45	225M	26,6 <u>21,54</u>	26,6 <u>29,42</u>	26,4 <u>31,44</u>	25,9 <u>37,61</u>	23,1 <u>43,07</u>	16,9 <u>45,42</u>	14,6 <u>45,55</u>					
200-315B	55	250M	33,4 <u>25,04</u>	33,4 <u>36,30</u>	33,2 <u>38,91</u>	32,2 <u>46,32</u>	28,6 <u>52,72</u>	21,7 <u>55,67</u>	19,4 <u>55,62</u>	16,7 <u>55,25</u>				
200-315A	75	280S	36,3 <u>27,90</u>	35,9 <u>39,49</u>	35,8 <u>42,13</u>	35,0 <u>50,07</u>	31,8 <u>58,82</u>	24,9 <u>62,36</u>	22,5 <u>62,45</u>	19,8 <u>62,15</u>				
200-400C	90	280M	43,0 <u>31,27</u>	44,1 <u>45,90</u>	44,1 <u>50,14</u>	43,6 <u>62,49</u>	39,9 <u>77,58</u>	31,5 <u>89,60</u>						
200-400B	110	315S	49,5 <u>40,00</u>	50,8 <u>54,29</u>	51,0 <u>58,92</u>	50,6 <u>73,89</u>	47,2 <u>91,32</u>	39,5 <u>105,65</u>	36,6 <u>108,43</u>					
200-400A	132	315M	57,2 <u>49,00</u>	58,5 <u>65,01</u>	58,6 <u>70,26</u>	58,2 <u>87,26</u>	55,2 <u>107,05</u>	48,2 <u>124,54</u>	45,6 <u>128,46</u>	44,0 <u>132,15</u>				

TYPE	P <sub>2</sub> nom. kW	Motor Size	Q (m <sup>3</sup> /h - l/min)													
			0	250	400	600	800	850	900	1100	1170	1200	1300	1400	1500	1600
			0	4167	6667	10000	13333	14167	15000	18333	19500	20000	21667	23333	25000	26667
H (m) / pump input power (kW)																
250-315C	55	280M	26,1	25,5	25,3	24,1	22,3	21,7	21,0	16,8						
	75	280S	<u>28,00</u>	<u>37,82</u>	<u>44,23</u>	<u>51,71</u>	<u>57,65</u>	<u>58,82</u>	<u>59,57</u>	<u>59,89</u>						
250-315B	75	280S	33,2	33,0	32,7	31,8	29,6	28,6	27,5	21,7	19,0					
			<u>43,46</u>	<u>54,77</u>	<u>61,20</u>	<u>68,72</u>	<u>74,57</u>	<u>75,26</u>	<u>75,64</u>	<u>74,47</u>	<u>73,35</u>					
250-315A	90	280M	35,8	35,0	34,4	33,3	31,3	30,4	29,3	23,0	20,7	20,0				
			<u>46,41</u>	<u>57,61</u>	<u>64,50</u>	<u>73,28</u>	<u>78,44</u>	<u>79,01</u>	<u>79,32</u>	<u>78,27</u>	<u>77,03</u>	<u>76,36</u>				
250-400D	110	315S	38,3	39,9	39,9	39,0	36,9	36,1	35,2	30,6	28,6	27,7	24,3			
	132	315M	<u>48,00</u>	<u>61,74</u>	<u>71,25</u>	<u>84,15</u>	<u>95,73</u>	<u>98,36</u>	<u>100,80</u>	<u>108,97</u>	<u>111,27</u>	<u>112,17</u>	<u>114,78</u>			
250-400C	132	315M	44,0	45,8	45,9	44,9	42,7	42,0	41,2	37,2	35,4	34,5	31,3	27,4		
	160	315L	<u>53,83</u>	<u>71,89</u>	<u>83,20</u>	<u>98,11</u>	<u>112,06</u>	<u>115,25</u>	<u>118,20</u>	<u>128,07</u>	<u>130,85</u>	<u>131,93</u>	<u>135,08</u>	<u>137,50</u>		
250-400B	160	315L	50,0	51,7	51,8	51,0	49,0	48,4	47,6	43,9	42,3	41,5	38,5	34,8	30,3	
	200	315L	<u>64,57</u>	<u>84,18</u>	<u>97,49</u>	<u>115,36</u>	<u>131,10</u>	<u>134,76</u>	<u>138,27</u>	<u>151,48</u>	<u>155,58</u>	<u>157,12</u>	<u>161,60</u>	<u>164,88</u>	<u>167,09</u>	
250-400A	200	315L	<u>70,94</u>	<u>91,89</u>	<u>106,81</u>	<u>127,19</u>	<u>145,00</u>	<u>149,18</u>	<u>153,24</u>	<u>168,92</u>	<u>173,94</u>	<u>175,86</u>	<u>181,62</u>	<u>186,11</u>	<u>189,07</u>	<u>190,57</u>

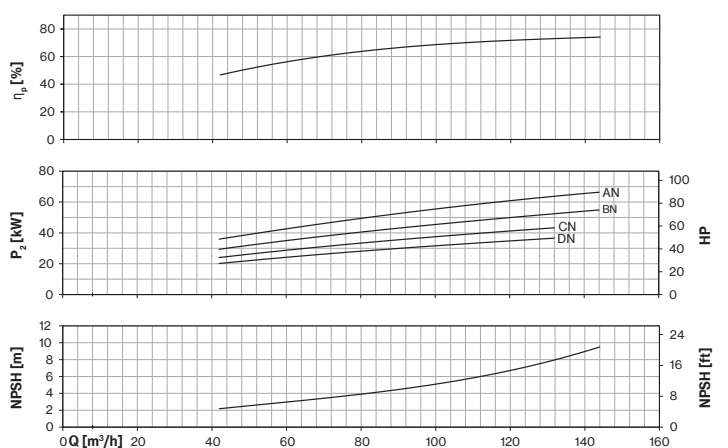
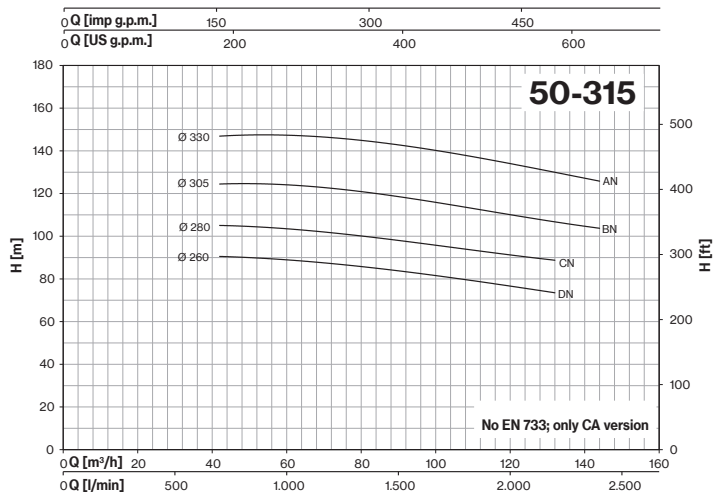
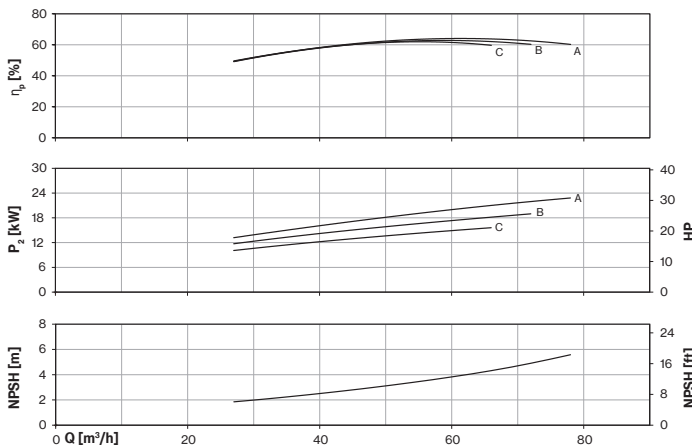
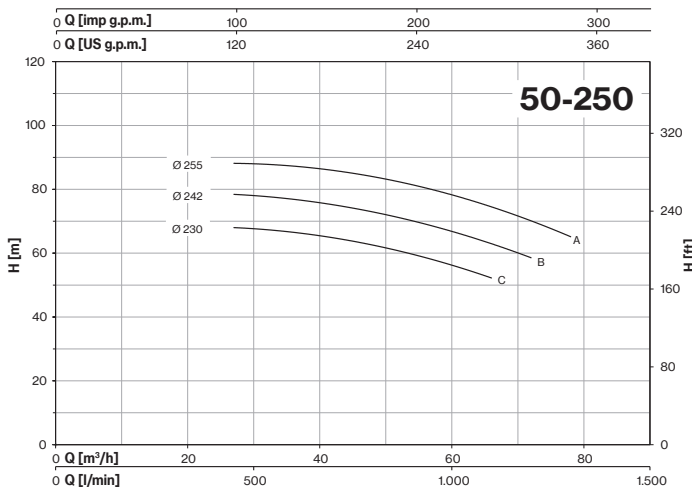
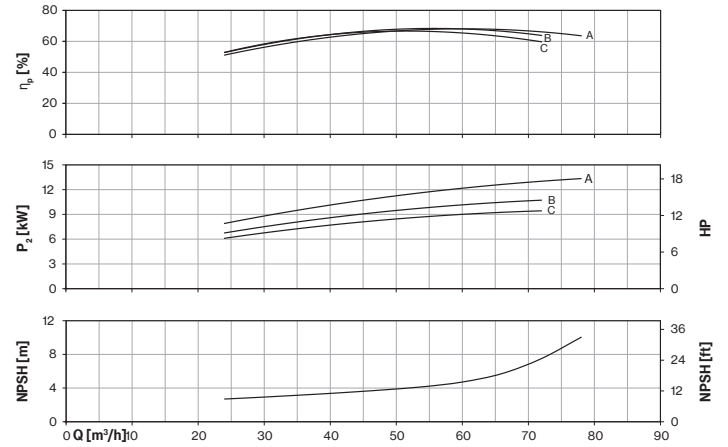
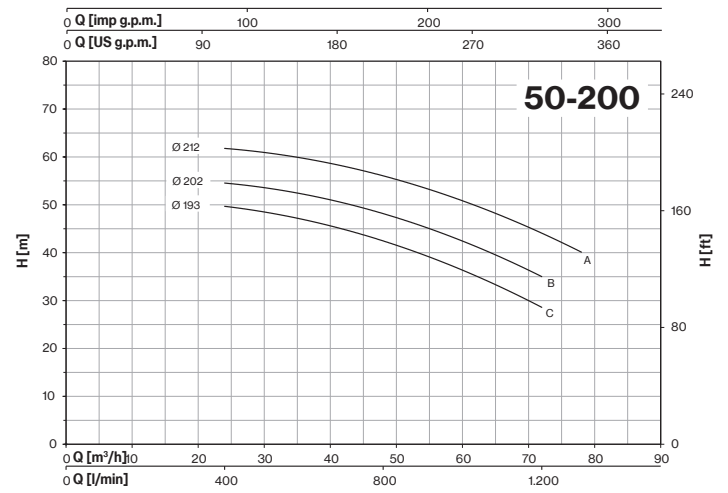
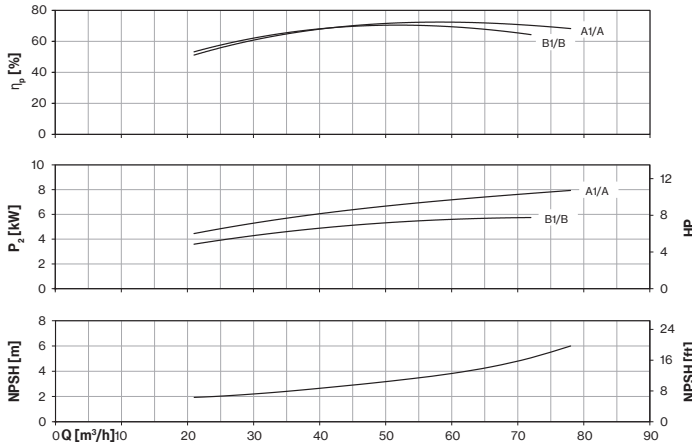
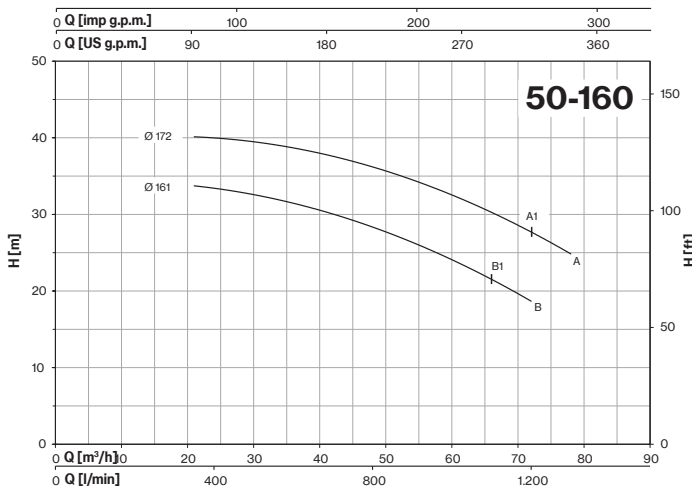


# CM-CMG-CMGX-CA-CAX ~ EN 733

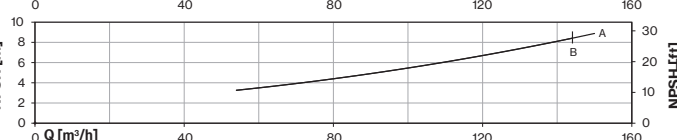
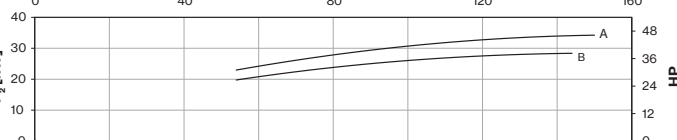
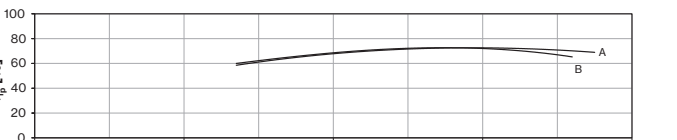
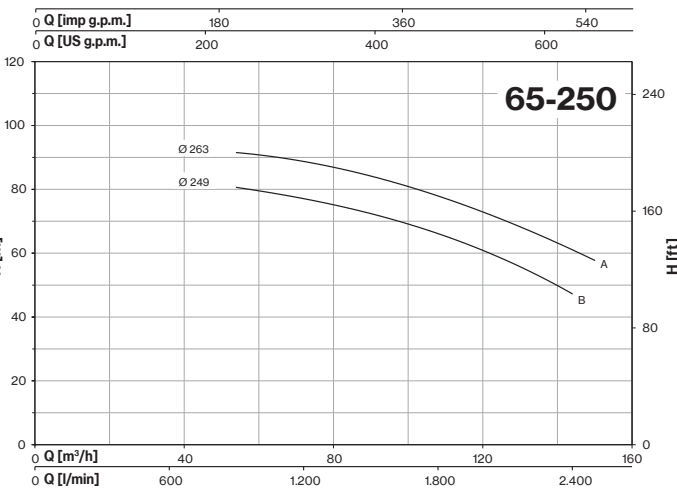
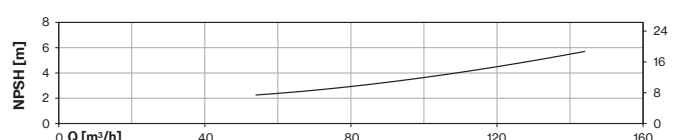
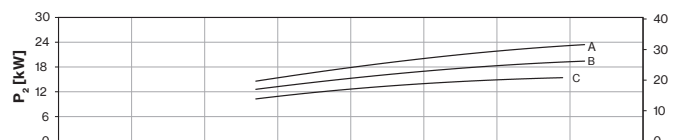
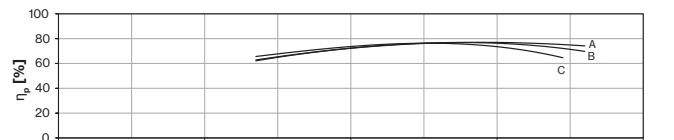
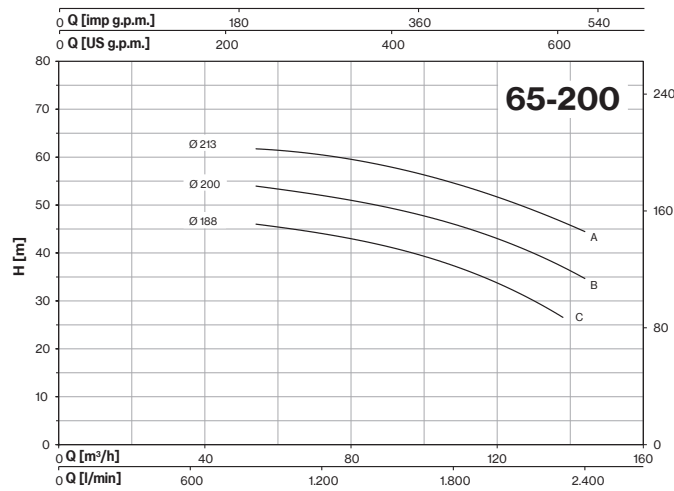
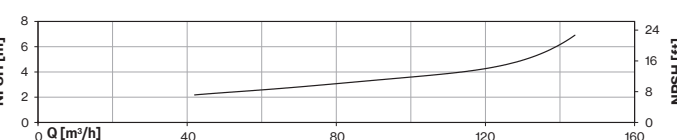
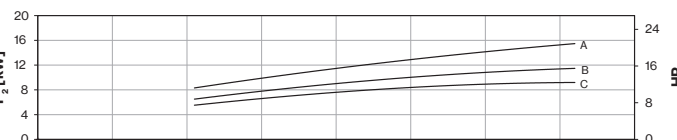
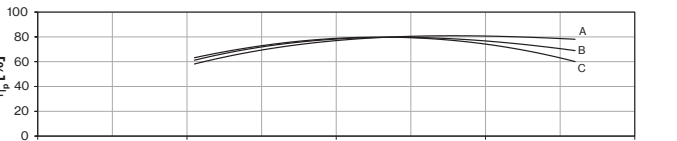
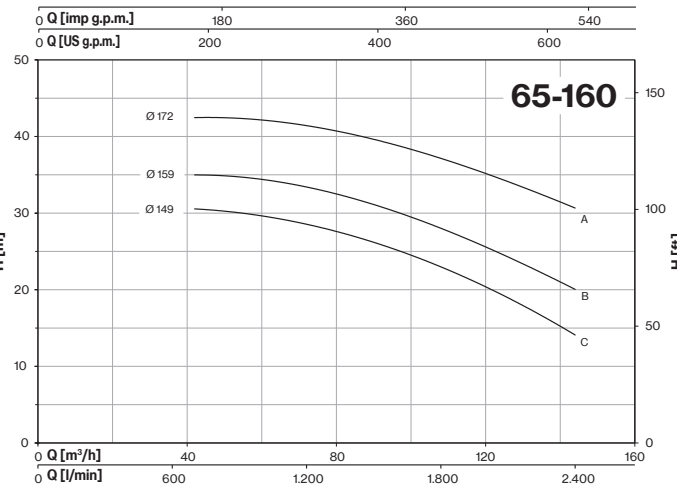
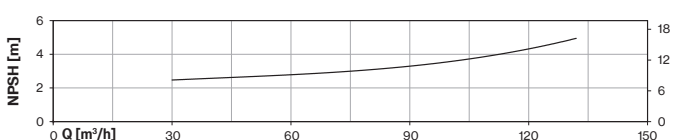
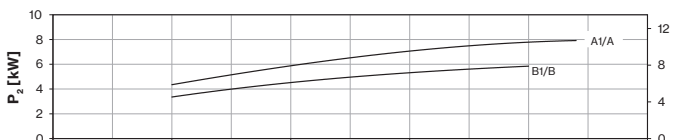
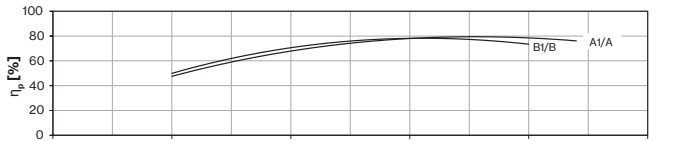
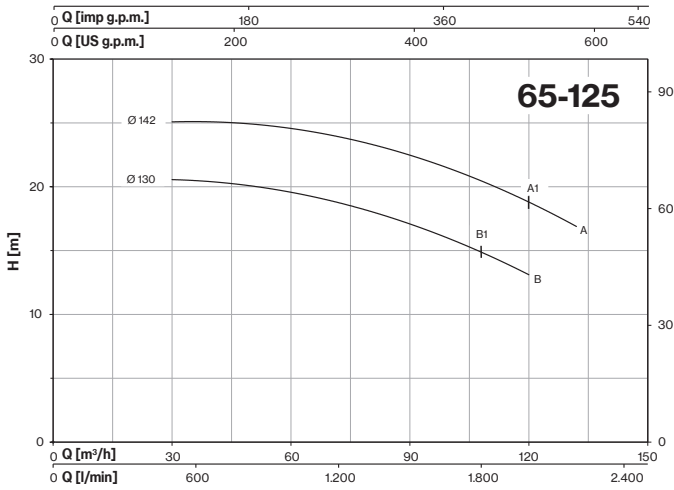




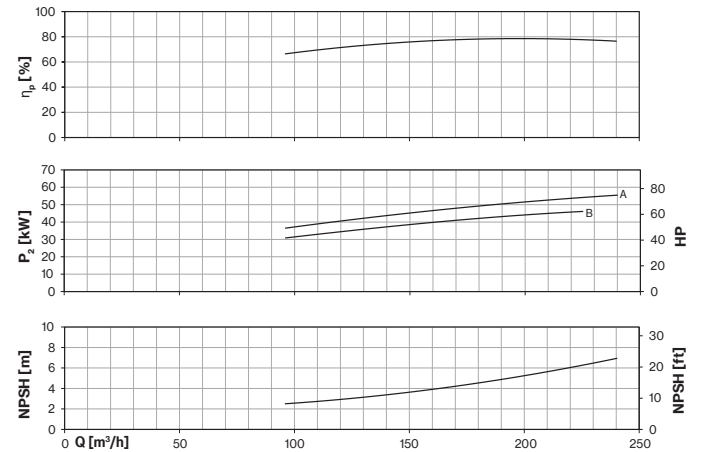
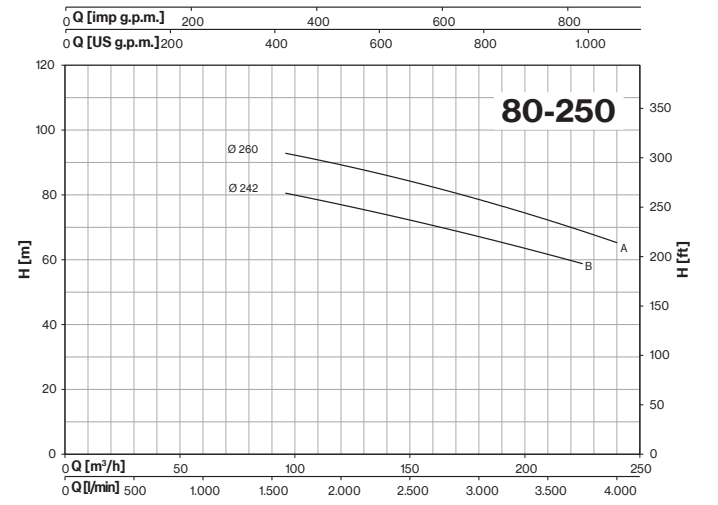
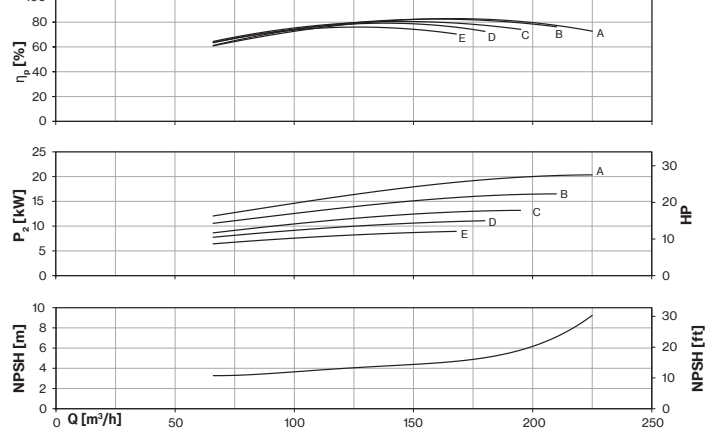
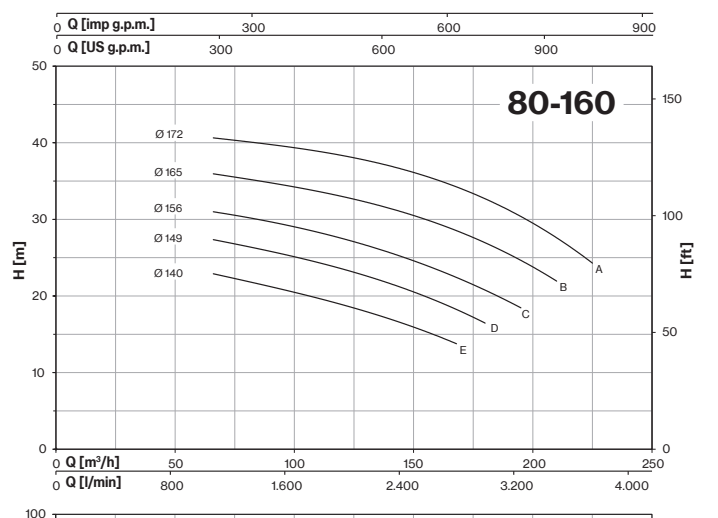
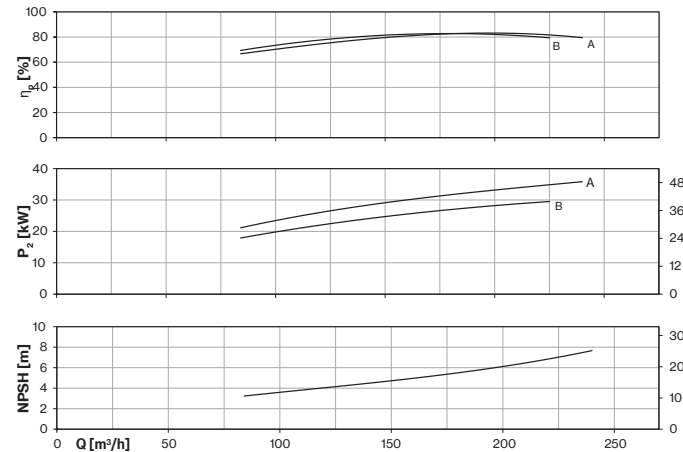
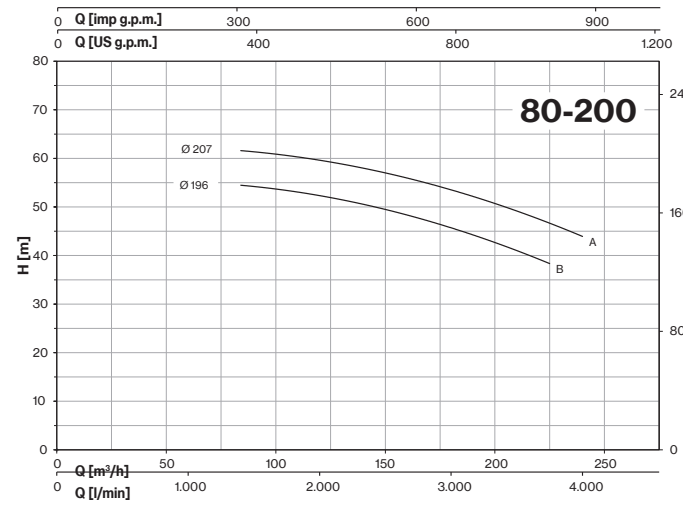
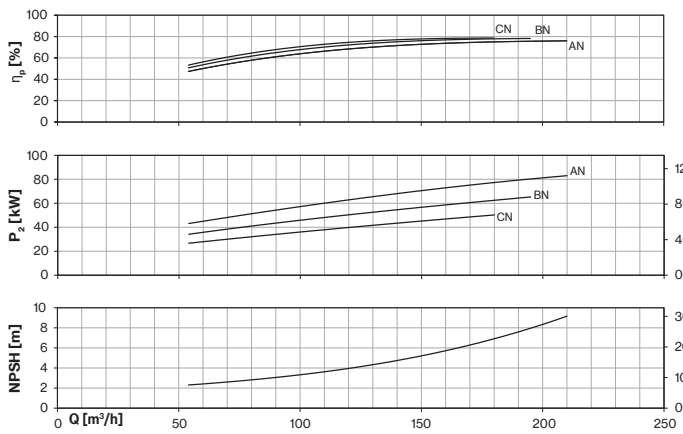
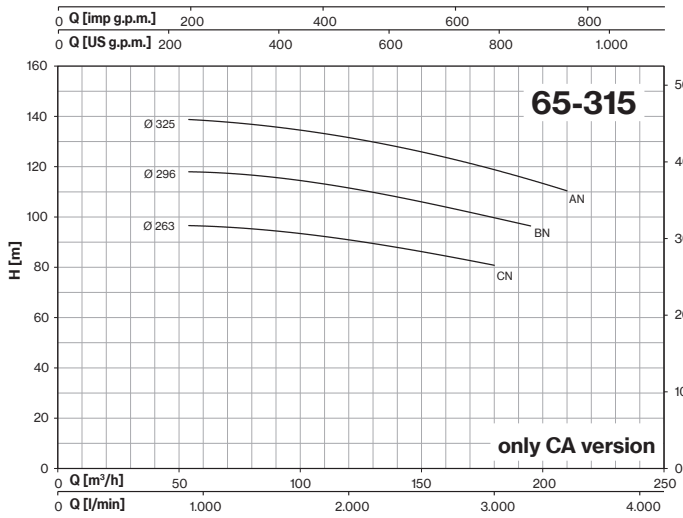
# CM-CMG-CMGX-CA-CAX ~ EN 733



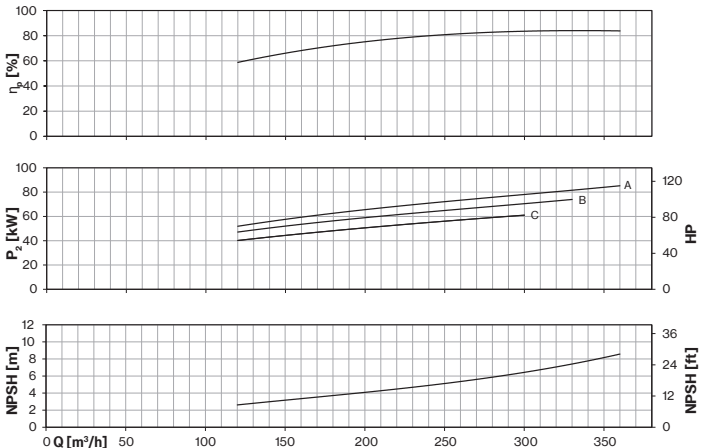
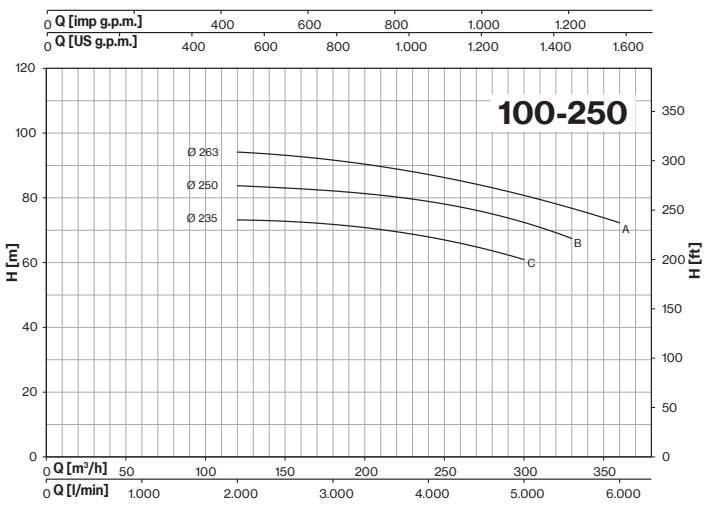
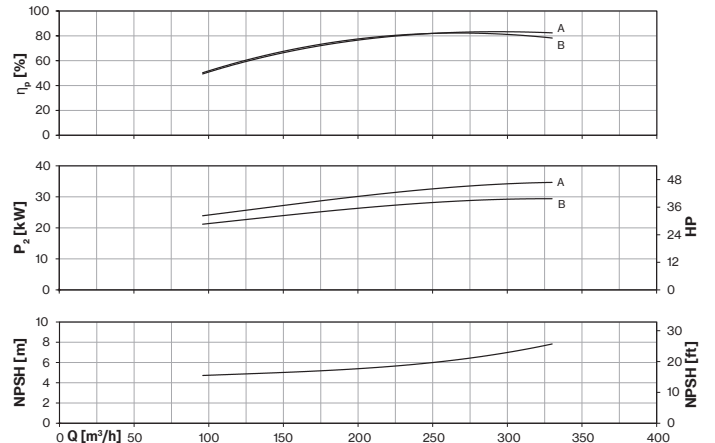
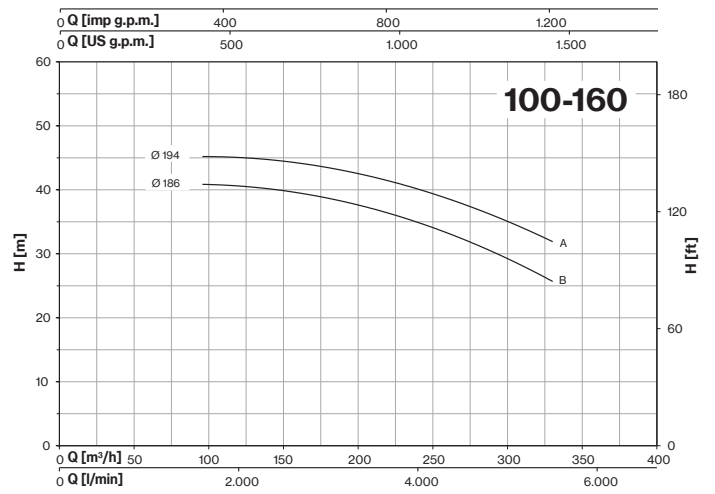
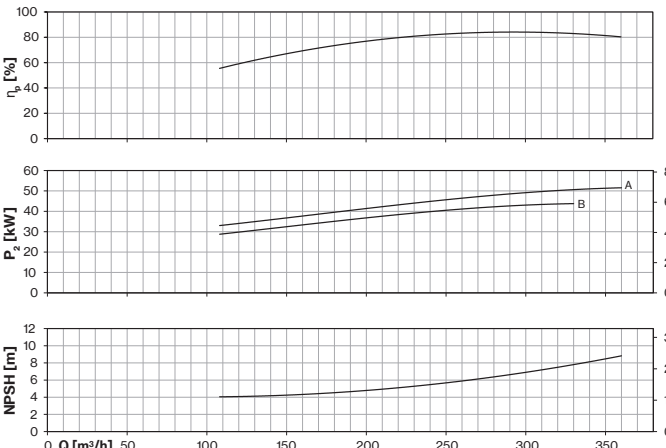
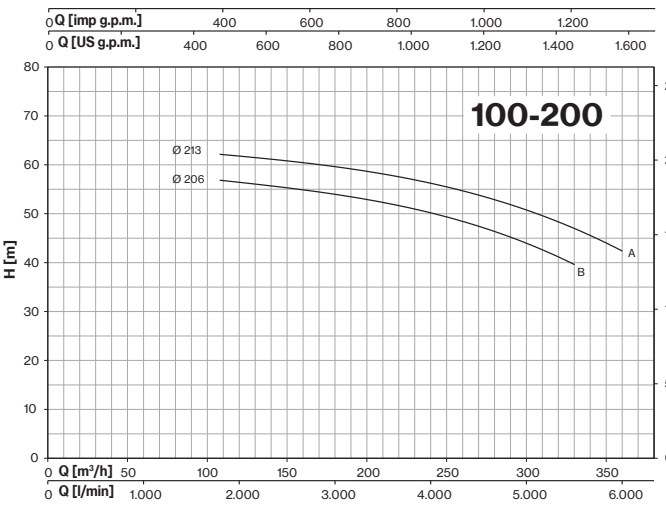
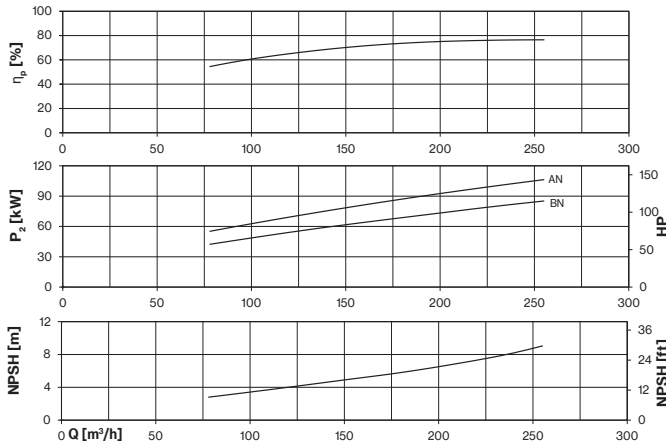
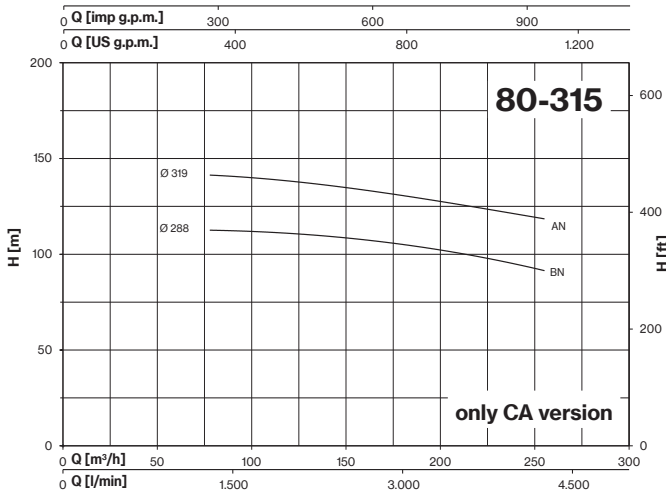
# CM-CMG-CMGX-CA-CAX ~ EN 733



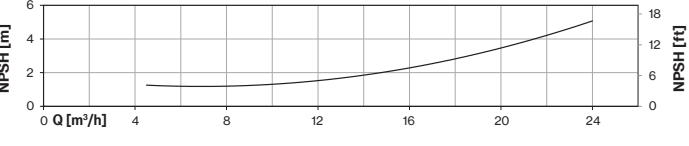
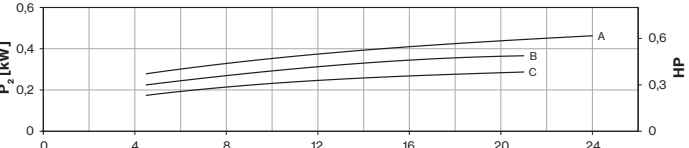
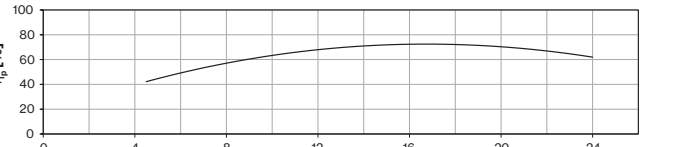
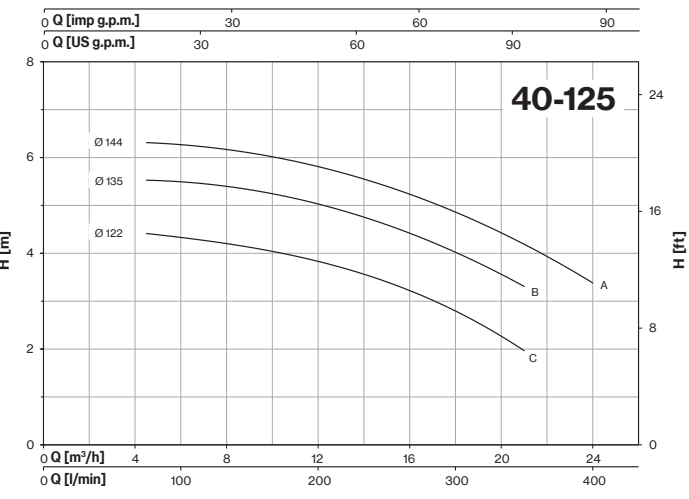
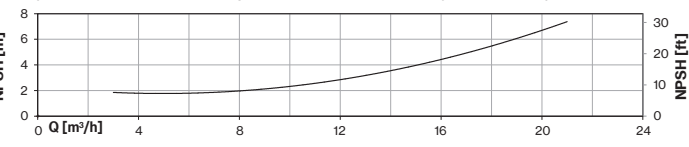
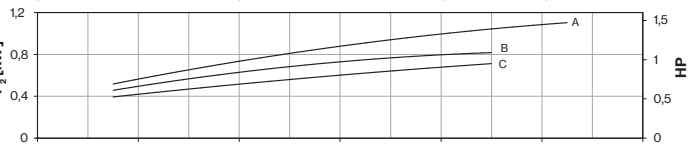
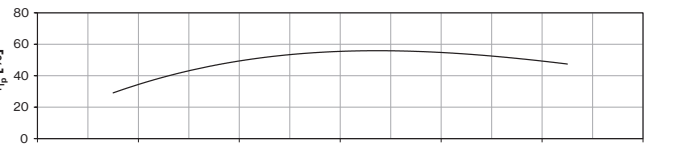
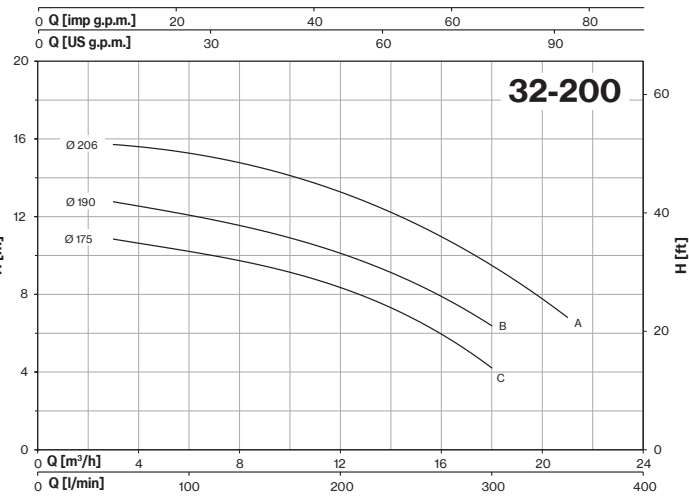
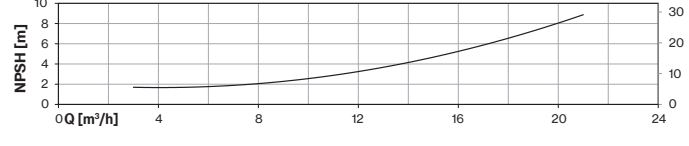
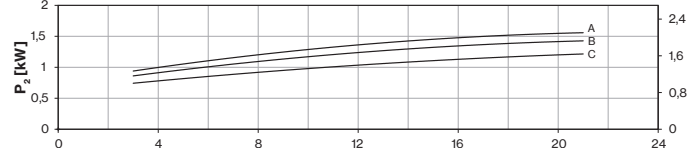
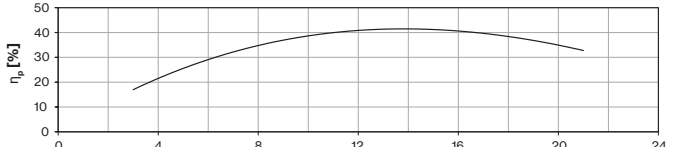
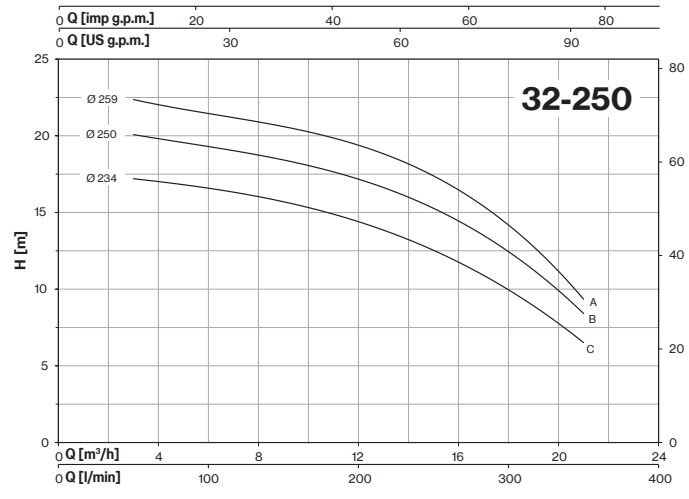
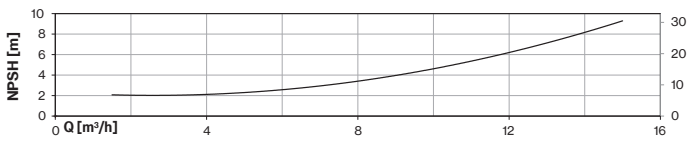
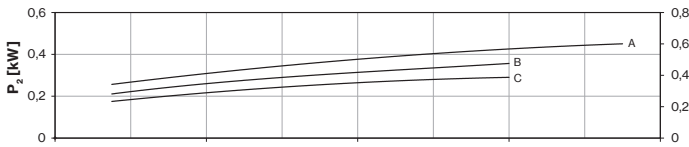
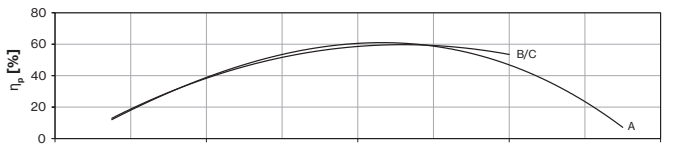
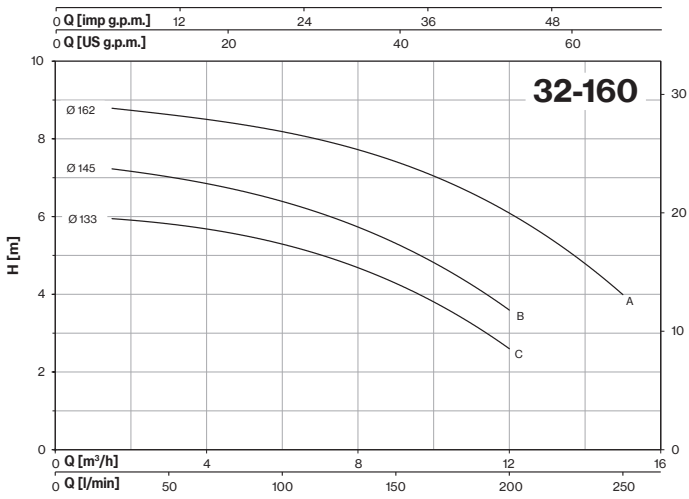
# CM-CMG-CMGX-CA-CAX ~ EN 733



# CM-CMG-CMGX-CA-CAX ~ EN 733

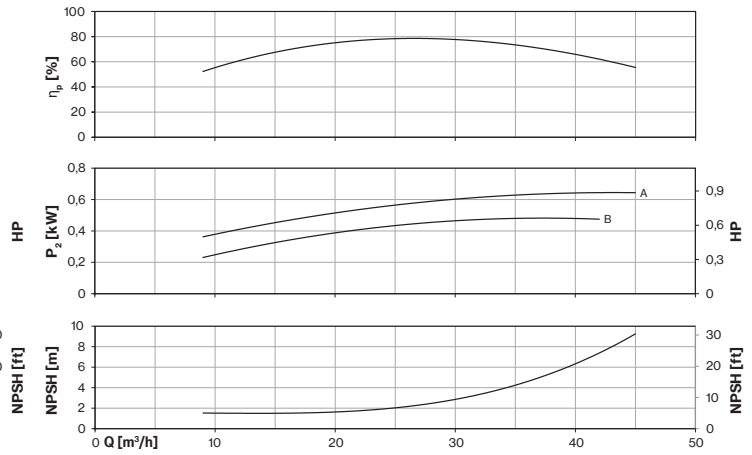
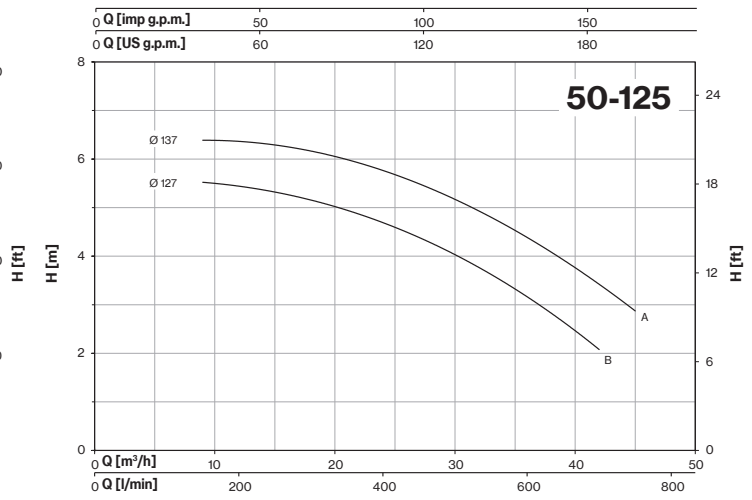
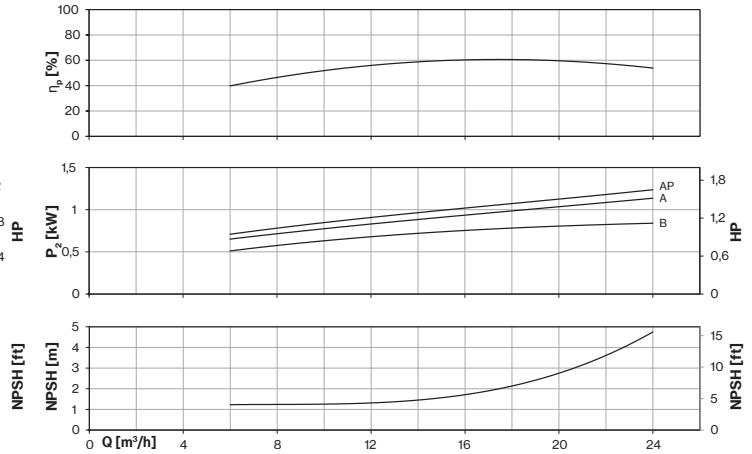
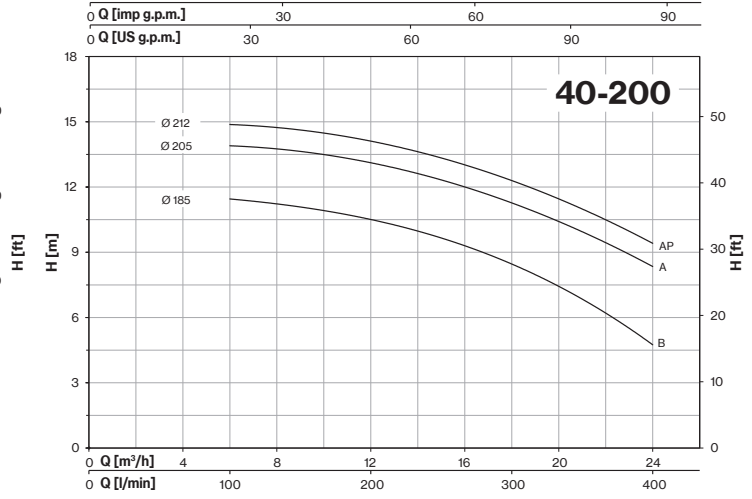
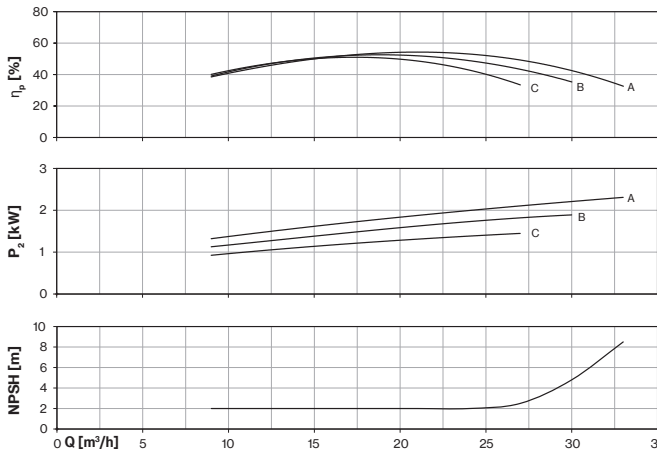
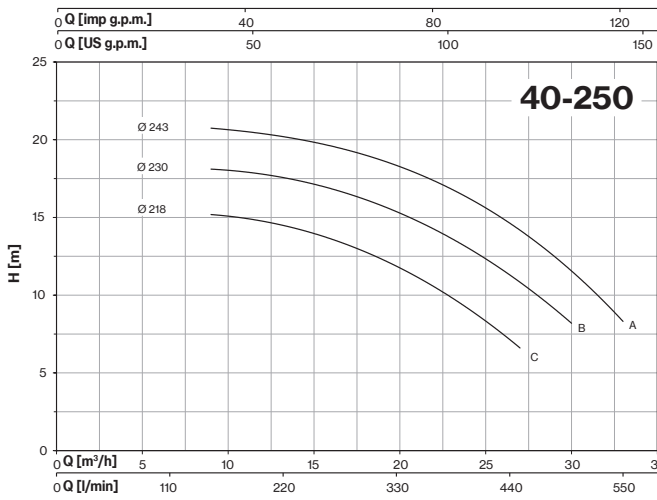
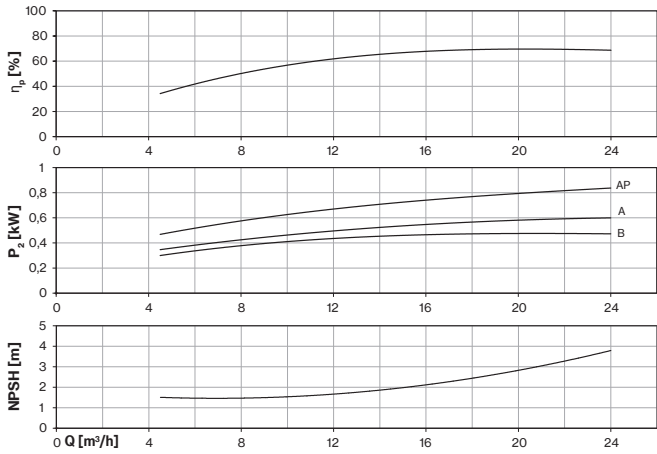
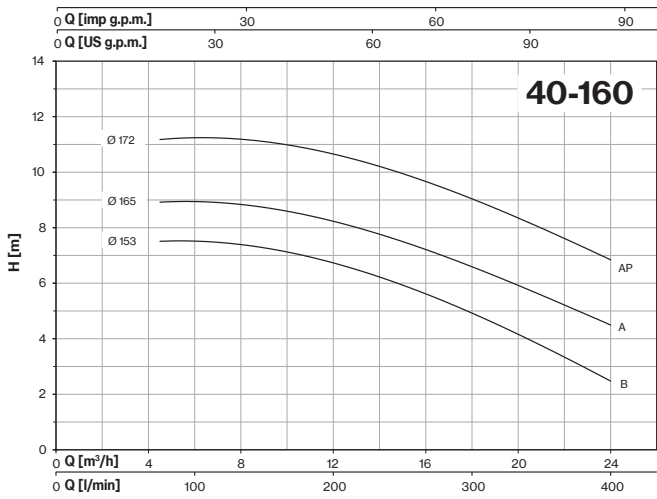


# 4CA-4CAX ~ EN 733





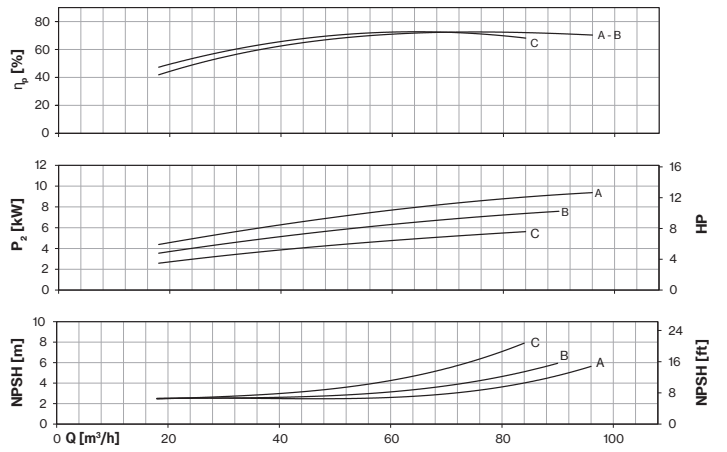
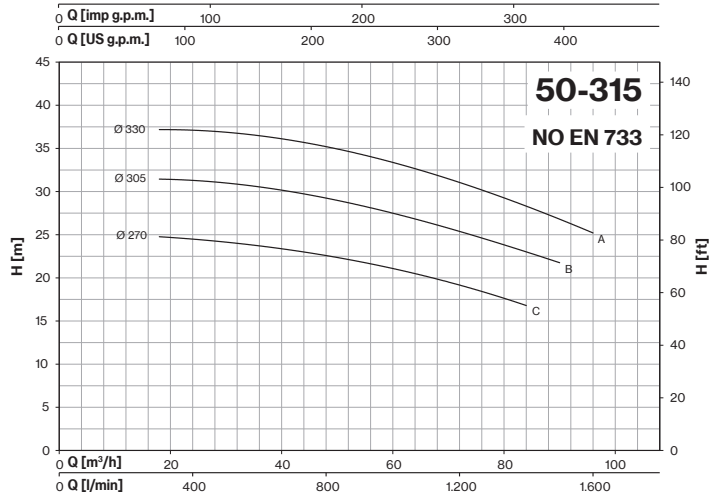
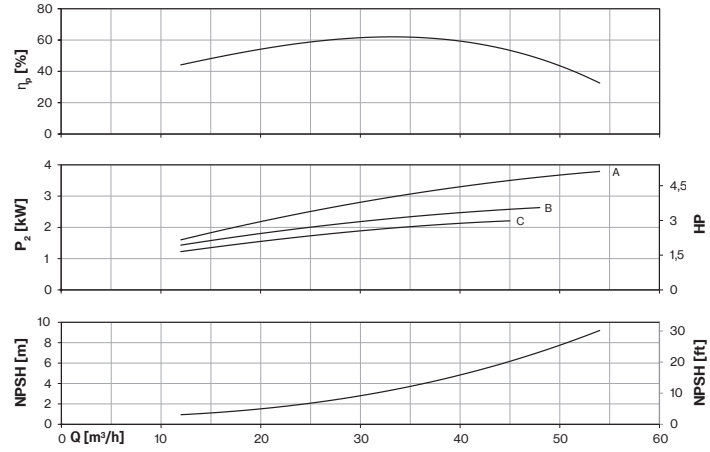
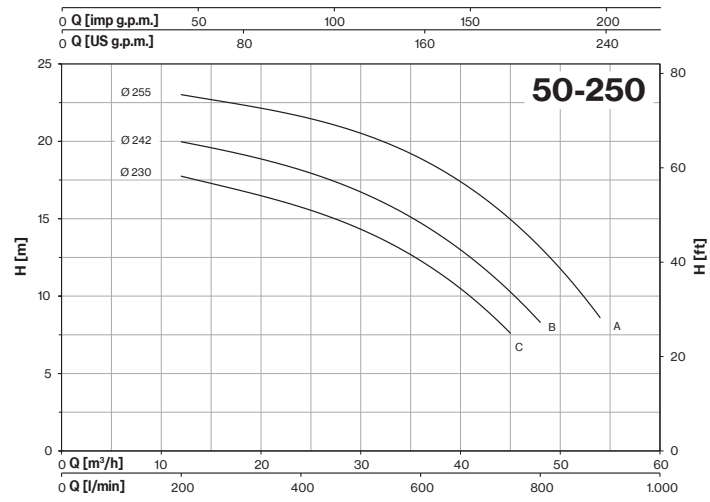
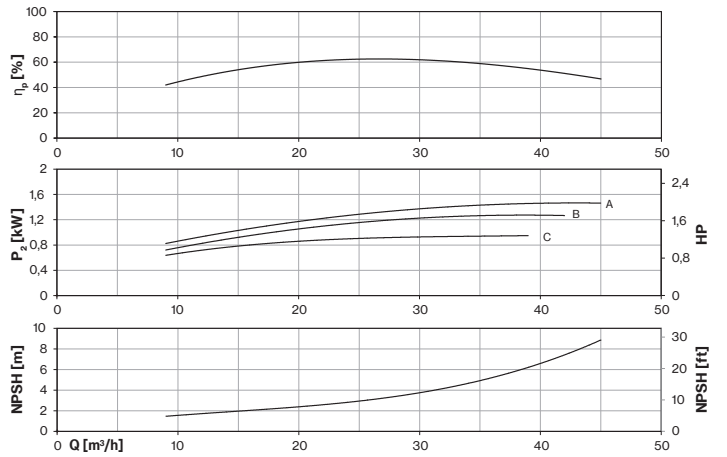
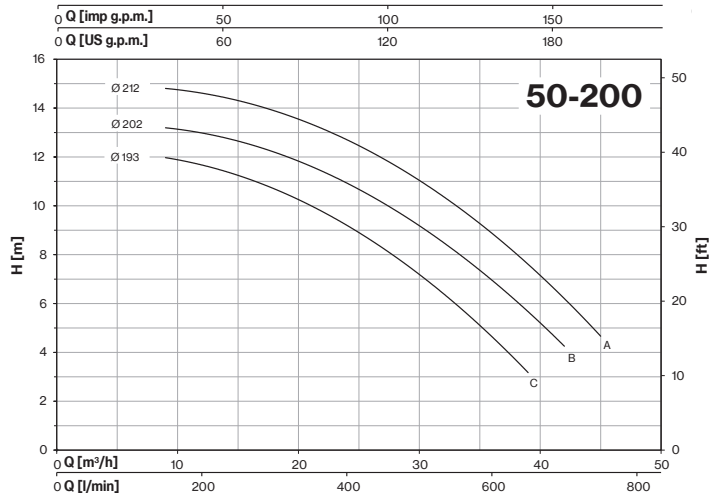
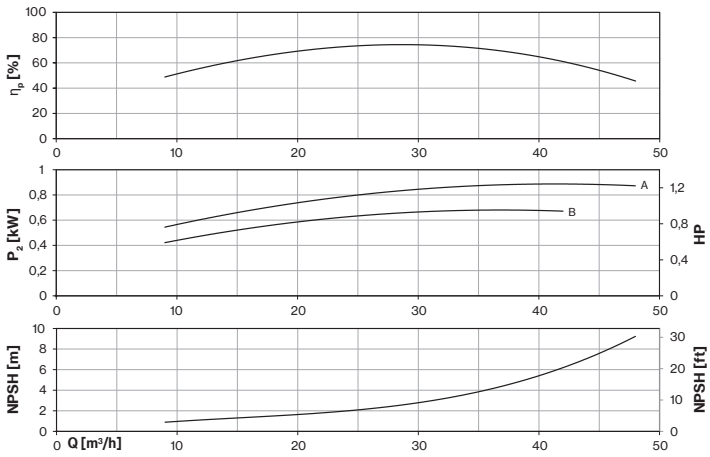
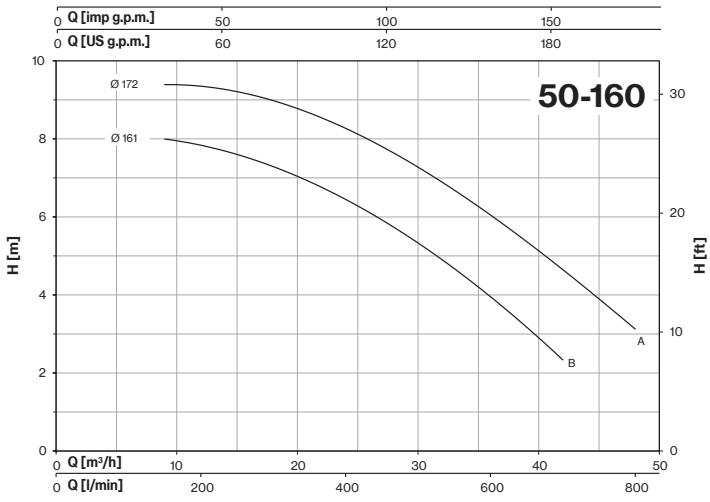
# 4CA-4CAX ~ EN 733

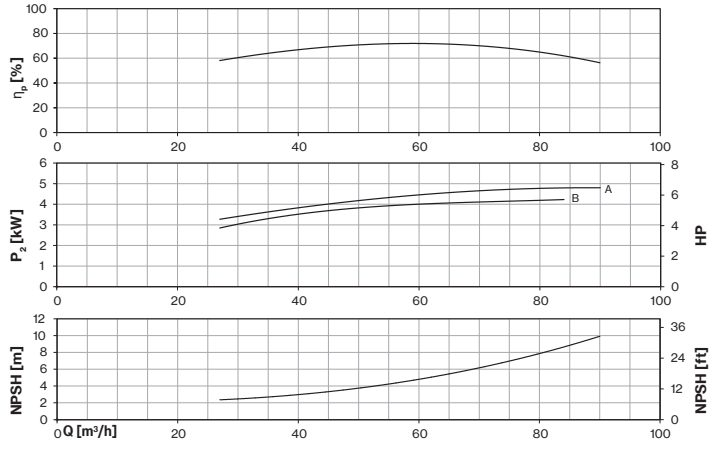
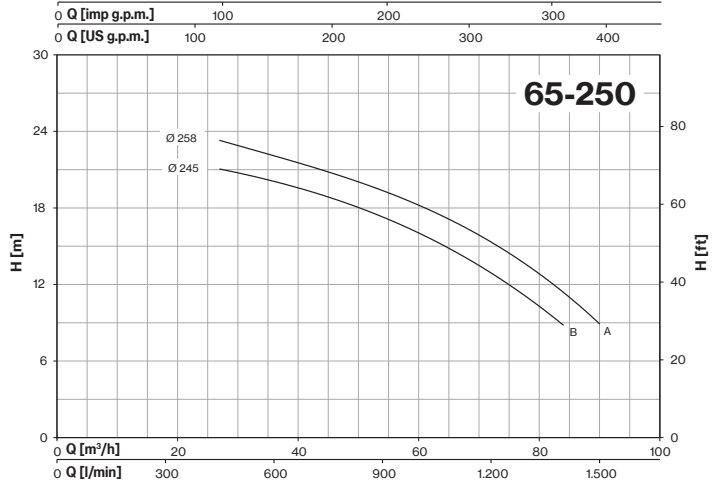
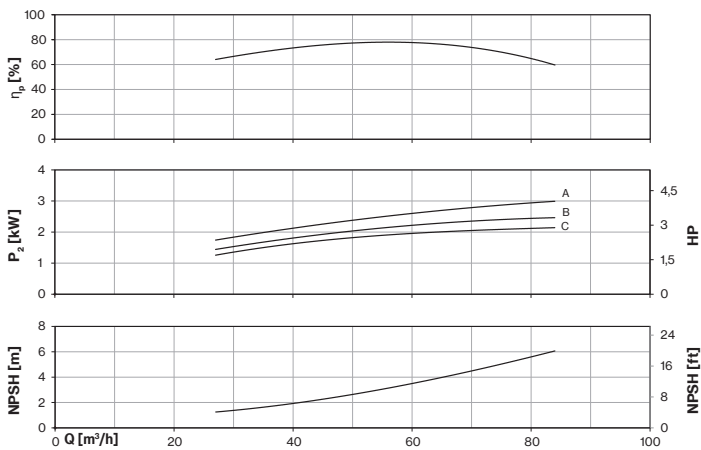
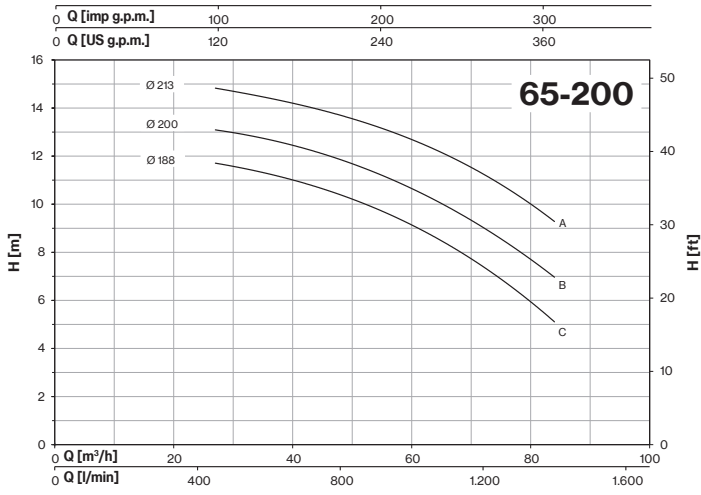
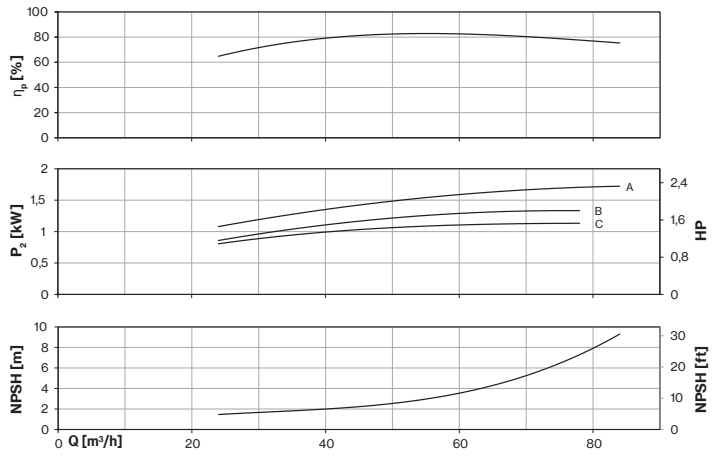
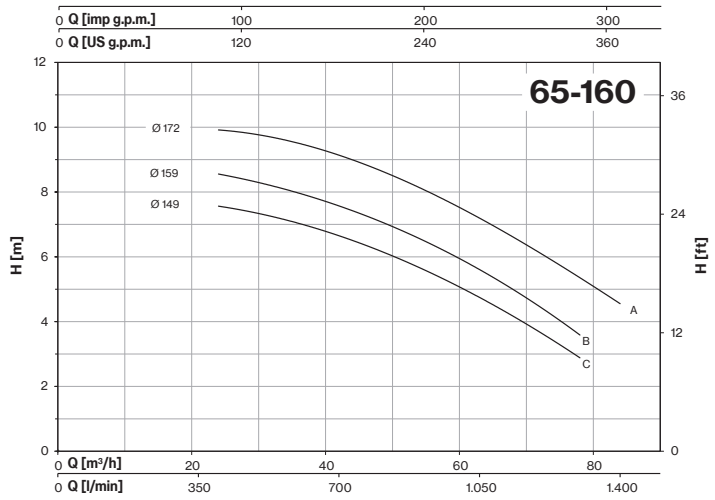
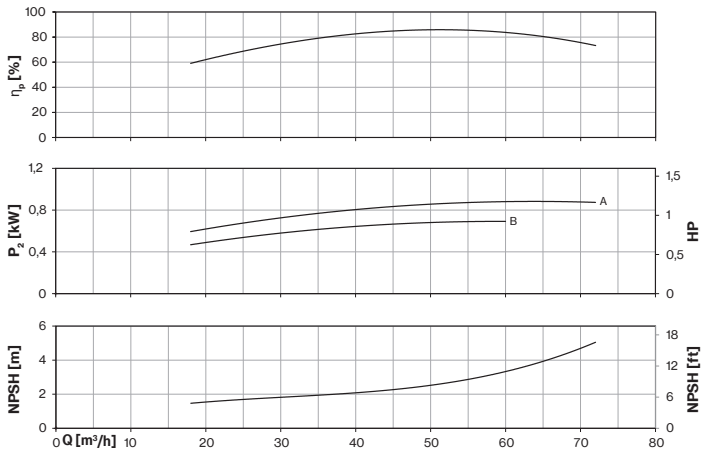
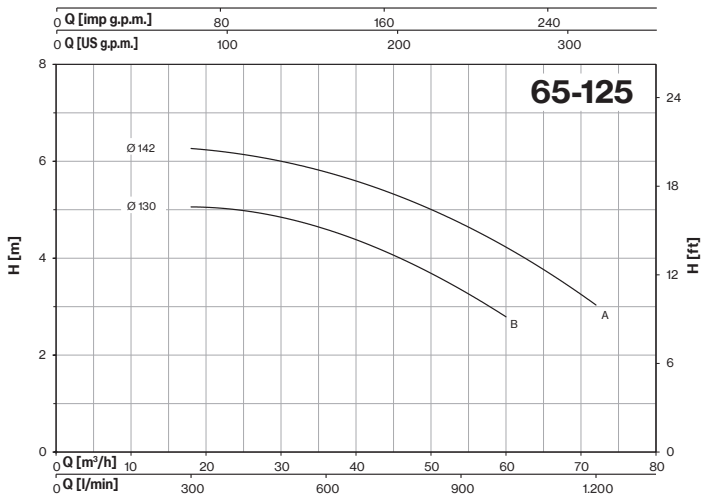


Tolerance: ISO 9906:2012 - Grade 3B  
Check pumps availability on pages 84-85

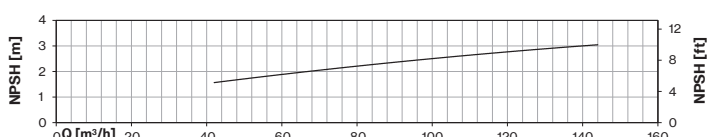
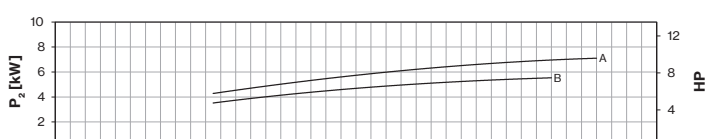
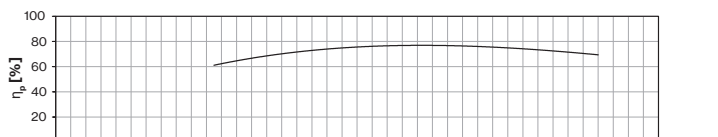
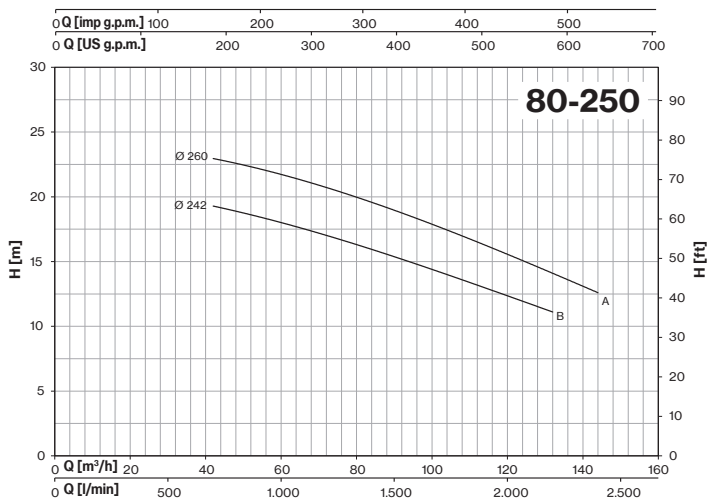
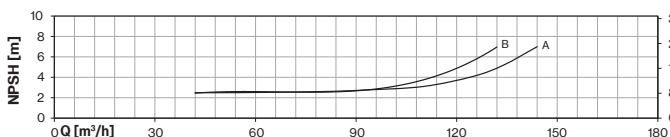
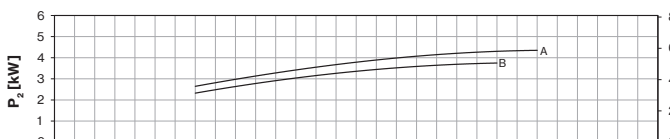
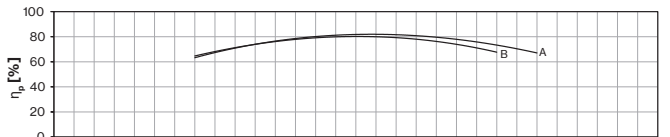
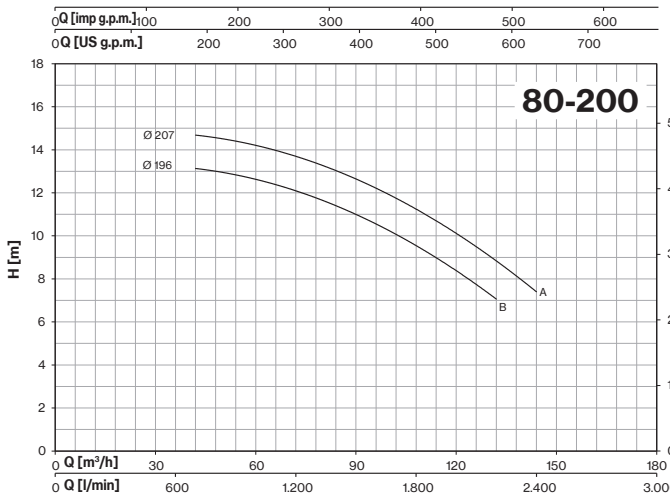
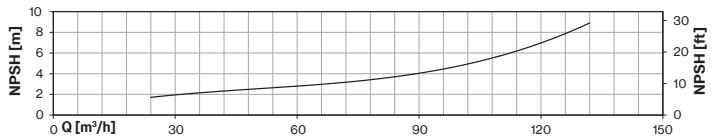
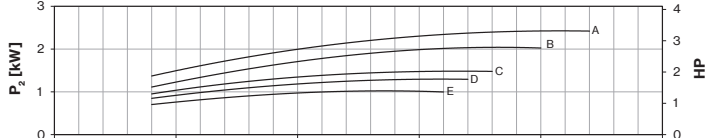
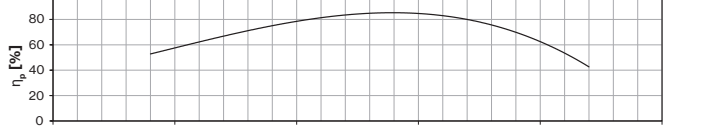
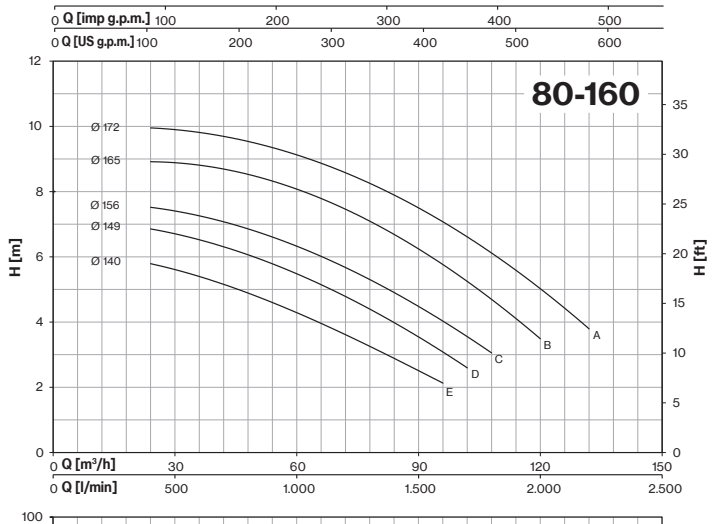
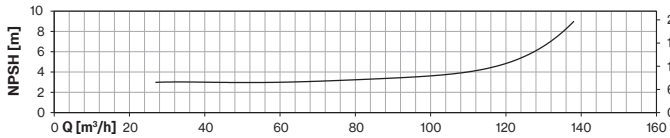
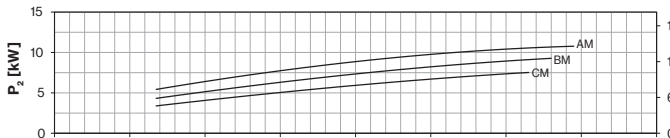
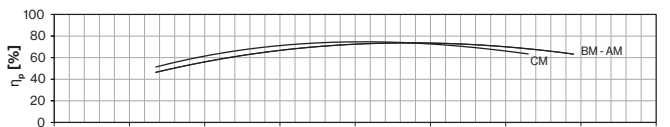
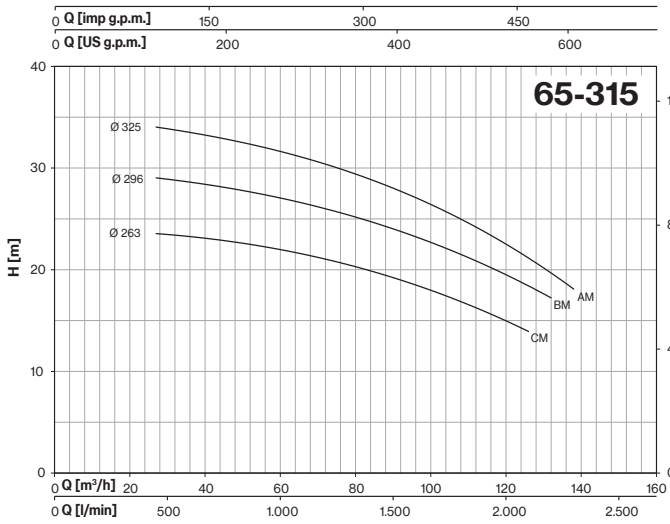


# 4CA-4CAX ~ EN 733



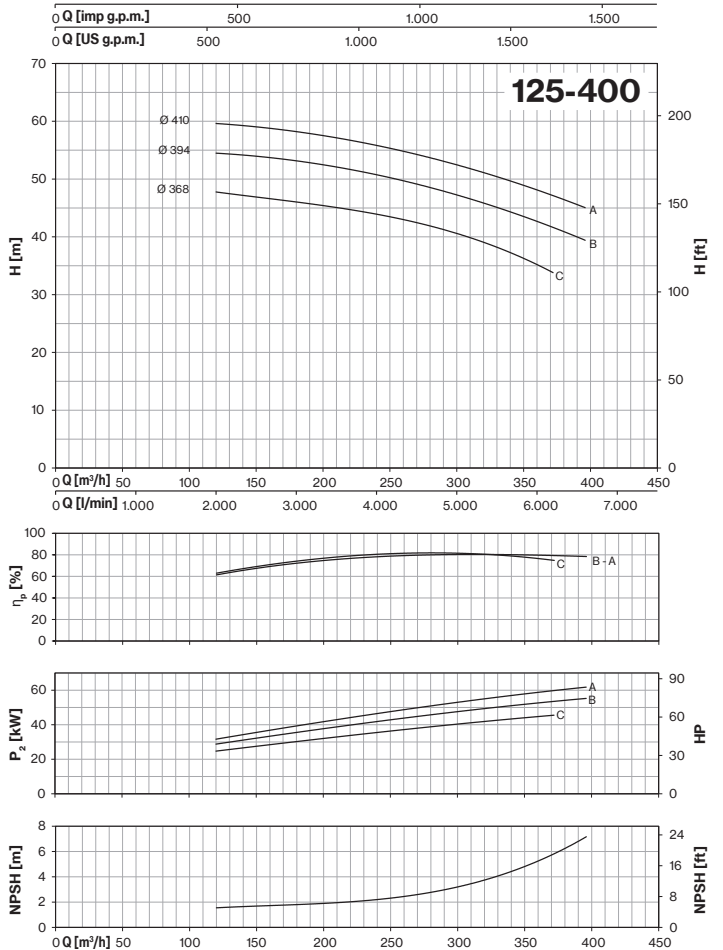
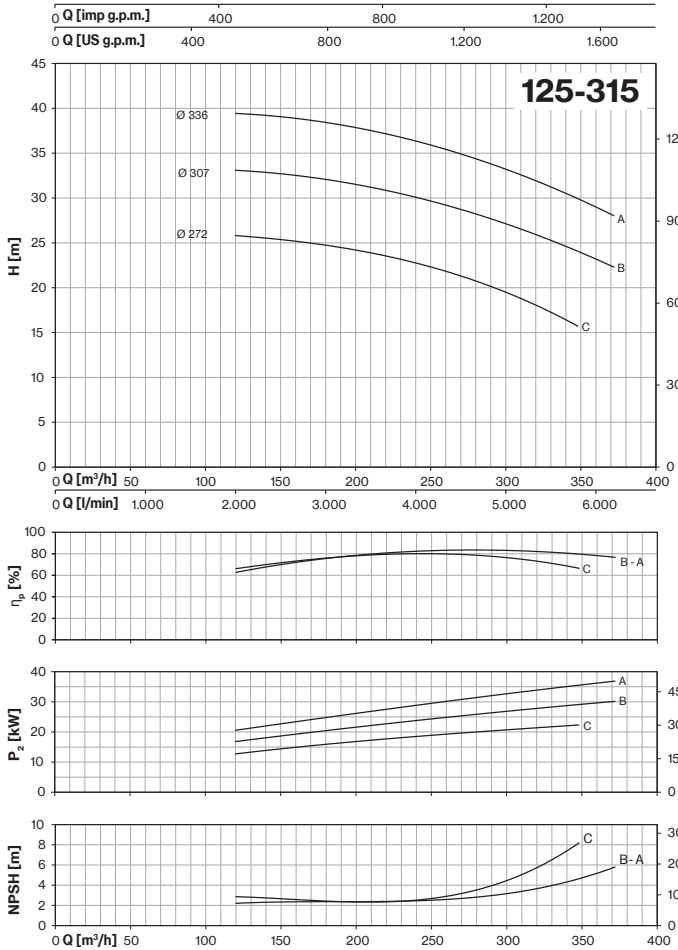
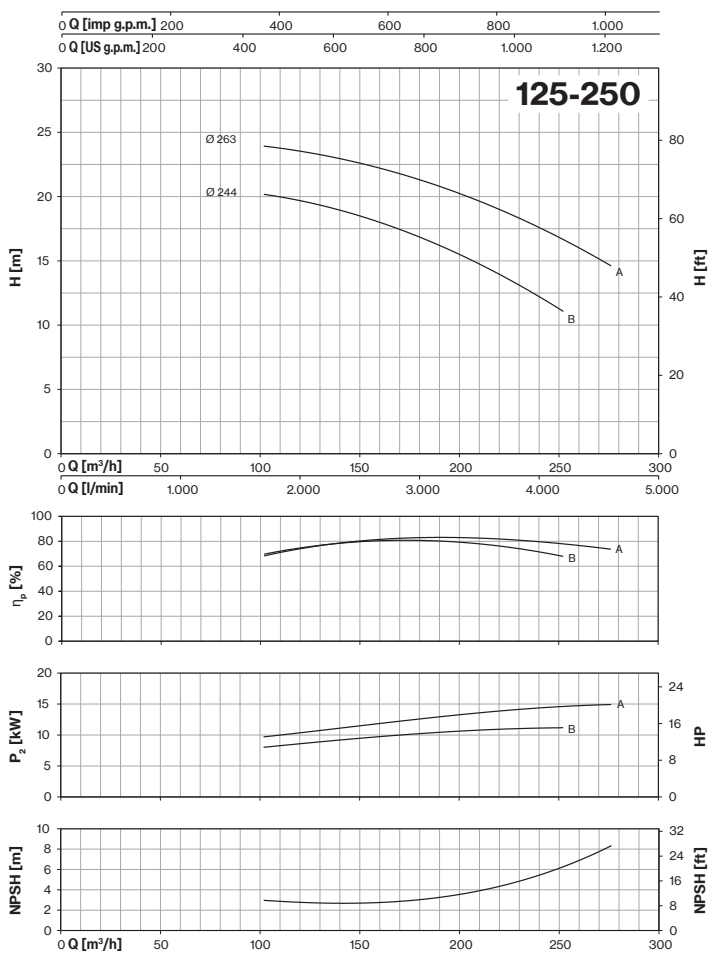
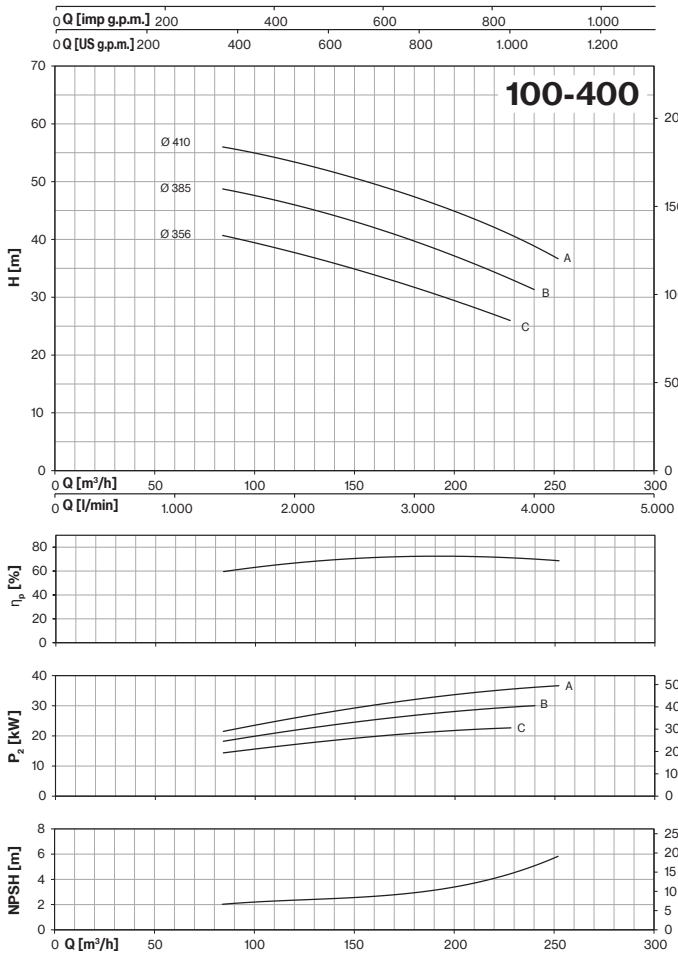


# 4CA-4CAX ~ EN 733

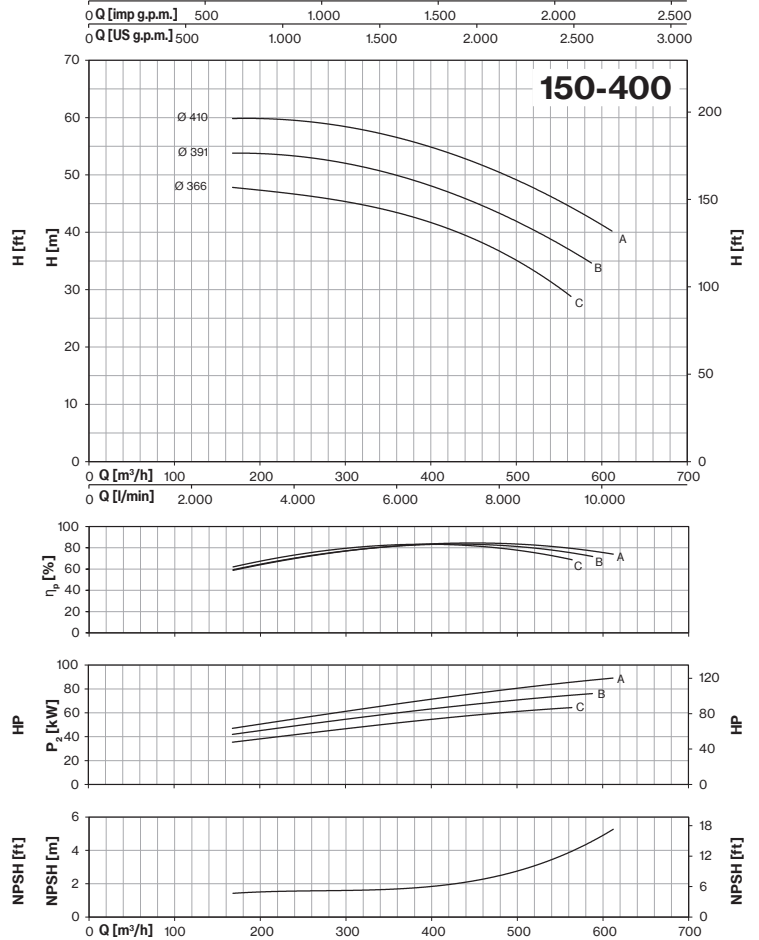
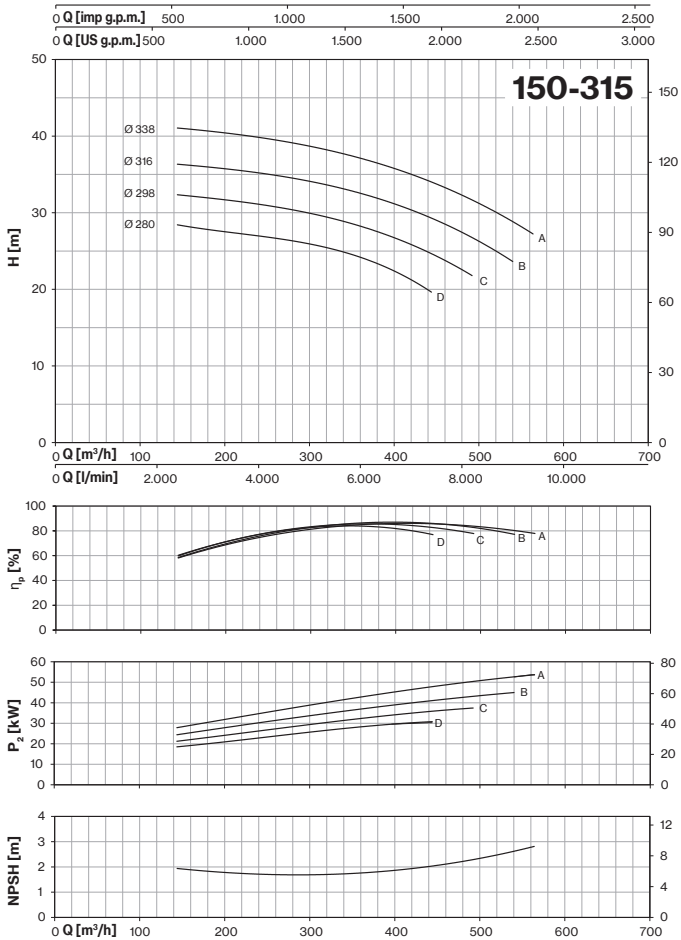




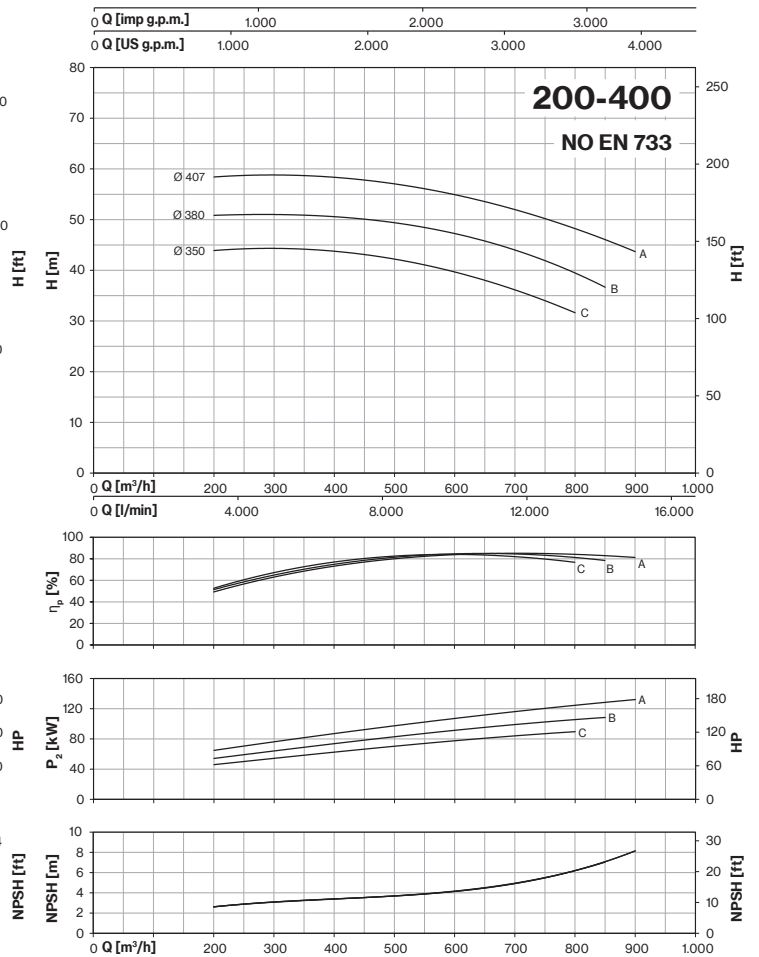
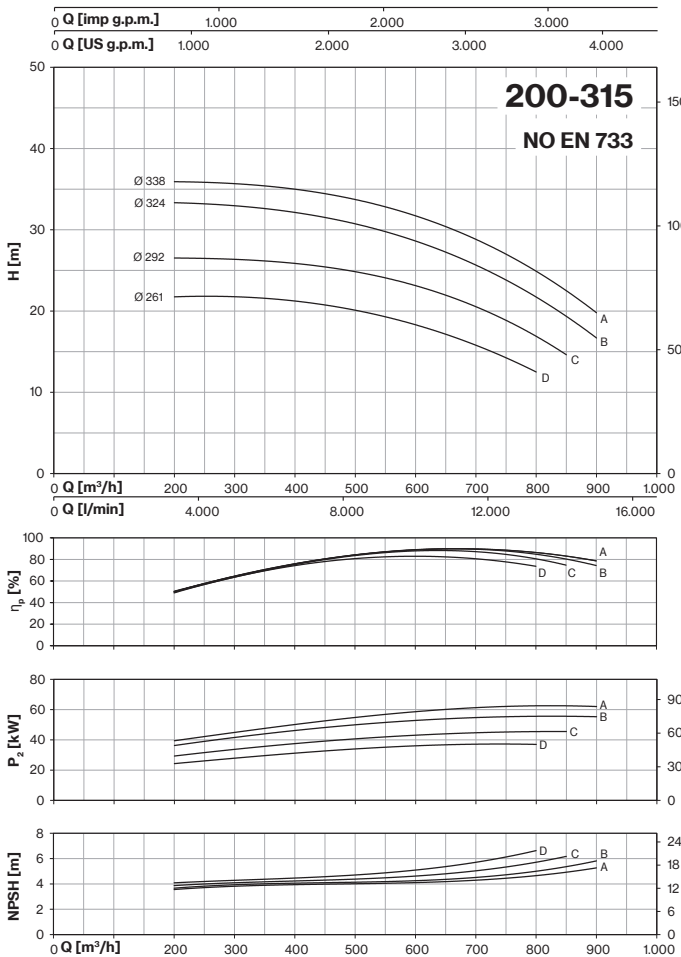
# 4CA-4CAX ~ EN 733



# 4CA-4CAX ~ EN 733



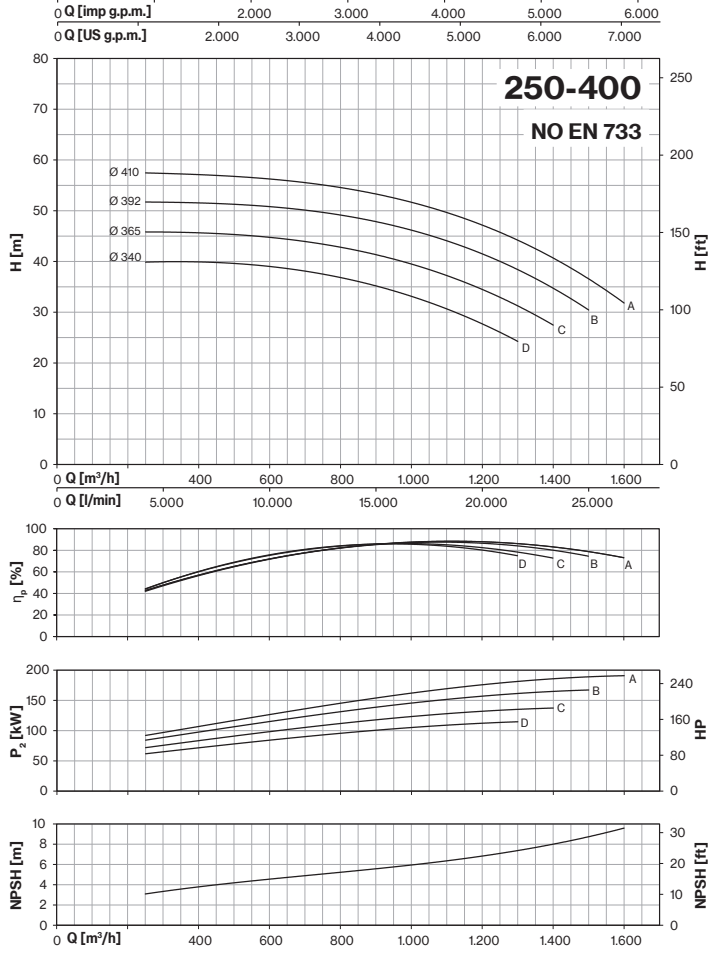
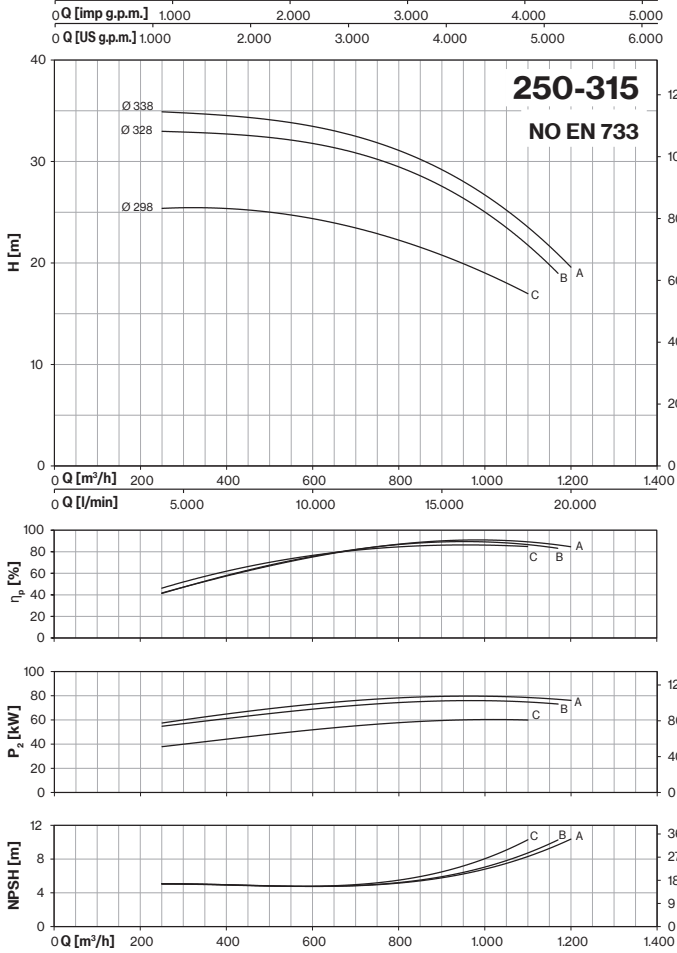
# 4CA-4CAX (No EN 733) ~ 1450 r.p.m.



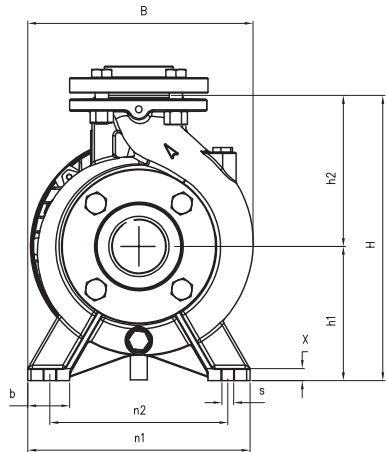
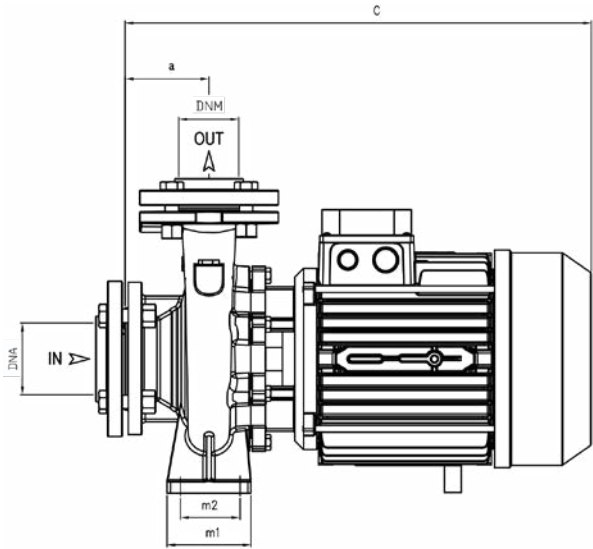
Tolerance: ISO 9906:2012 - Grade 3B  
Check pumps availability on pages 84-85



# 4CA-4CAX







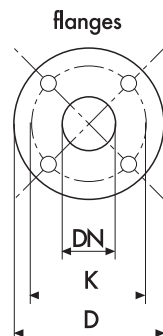


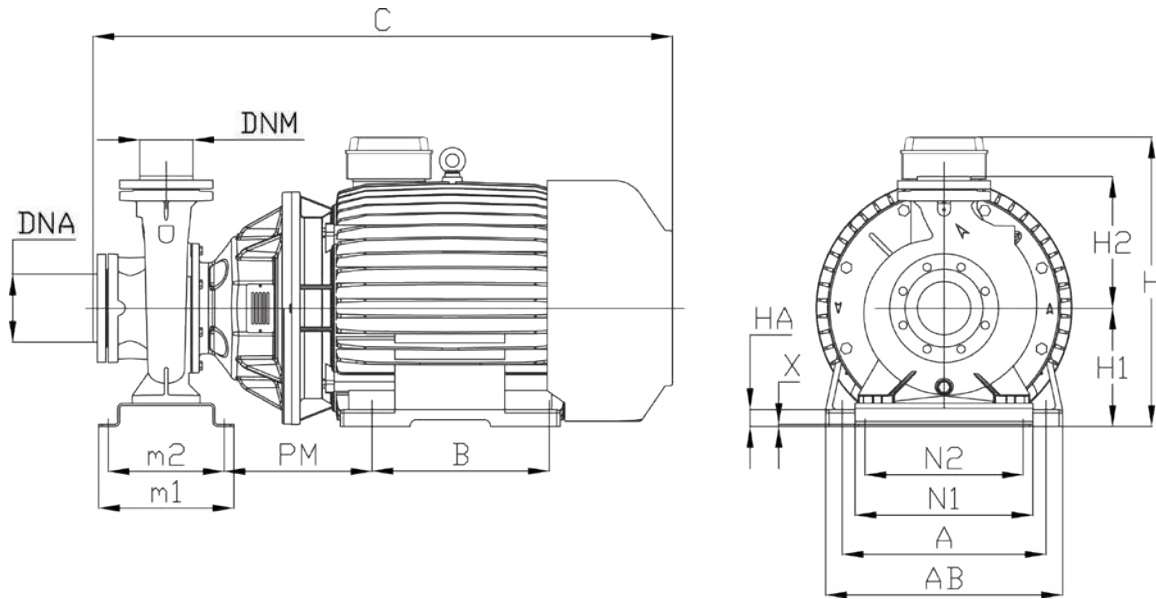
MEC	3~ TYPE	1~ TYPE	DIMENSIONS (mm)																			Kg
			DNA	DNM	a	h1	h2	m1	m2	n1	n2	b	x	s	C	B	H	I	L	M		
90	<b>32-160 C</b>	<b>32-160 C</b>	50	32	80	132	160	100	70	240	190	50	12	14	530	240	292	551	250	341	41	
90	<b>32-160 B</b>	<b>32-160 B</b>			80	132	160	100	70	240	190	50	12	14	530	240	292	551	250	341	44	
90	<b>32-160 A</b>				80	132	160	100	70	240	190	50	12	14	530	240	292	551	250	341	47	
112		<b>32-200 C</b>			80	160	180	100	70	240	190	50	12	14	574	268	340	602	263	395	65,5	
100	<b>32-200 C</b>				80	160	180	100	70	240	190	50	12	14	540	268	340	602	263	395	56,5	
112	<b>32-200 B1</b>				80	160	180	100	70	240	190	50	12	14	520	268	340	627	287	408	65,5	
132	<b>32-200 B</b>				80	160	180	100	70	240	190	50	12	14	565	268	340	627	287	408	72	
112	<b>32-200 A1</b>				80	160	180	100	70	240	190	50	12	14	520	268	340	627	287	408	72	
132	<b>32-200 A</b>				80	160	180	100	70	240	190	50	12	14	565	268	340	627	287	408	79	
132	<b>32-250 C</b>				100	180	225	125	95	320	250	65	12	14	625	305	405	666	346	471	101,5	
132	<b>32-250 B</b>		100	180	225	125	95	320	250	65	14	14	625	305	405	666	346	471	105,5			
160	<b>32-250 A</b>		100	180	225	125	95	320	250	65	14	14	695	305	405	810	354	480	135,5			
90	<b>40-125 C</b>	<b>40-125 C</b>	65	40	80	112	140	100	70	210	160	50	12	14	535	220	252	551	250	341	41,5	
90	<b>40-125 B</b>	<b>40-125 B</b>			80	112	140	100	70	210	160	50	12	14	535	220	252	551	250	341	44	
90	<b>40-125 A</b>				80	112	140	100	70	210	160	50	12	14	535	220	252	551	250	341	47,5	
100		<b>40-160 B</b>			80	132	160	100	70	240	190	50	12	14	535	245	292	551	250	341	56	
100	<b>40-160 B</b>				80	132	160	100	70	240	190	50	12	14	535	245	292	551	250	341	52	
112		<b>40-160 A</b>			80	132	160	100	70	240	190	50	15	14	579	245	292	602	263	395	64,5	
100	<b>40-160 A</b>				80	132	160	100	70	240	190	50	15	14	535	245	292	602	263	395	56,5	
112	<b>40-160 AP</b>				80	132	160	100	70	240	190	50	15	14	579	245	292	627	287	408	63	
112	<b>40-200 B1</b>				100	160	180	100	70	265	212	50	15	14	597	273	340	627	287	408	68	
132	<b>40-200 B</b>				100	160	180	100	70	265	212	50	15	14	590	273	340	627	287	408	74,5	
112	<b>40-200 A1</b>		100	160	180	100	70	265	212	50	15	14	597	273	340	627	287	408	74			
132	<b>40-200 A</b>		100	160	180	100	70	265	212	50	15	14	590	273	340	627	287	408	81			
132	<b>40-200 AP</b>		100	160	180	100	70	265	212	50	15	14	628	273	340	666	346	471	93,5			
132	<b>40-250 C</b>		100	180	225	125	95	320	250	65	15	14	630	322	405	666	346	471	100,5			
132	<b>40-250 B</b>		100	180	225	125	95	320	250	65	15	14	630	322	405	666	346	471	105			
160	<b>40-250 A</b>		100	180	225	125	95	320	250	65	15	14	700	322	405	810	354	480	135			
132	<b>40-250 BM</b>		100	180	225	125	95	320	250	65	15	14	750	332	405	810	354	480	150			
160	<b>40-250 AM</b>		100	180	225	125	95	320	250	65	15	14	750	332	405	810	354	480	160,5			
100		<b>50-125 B</b>	65	50	100	132	160	100	70	240	190	50	12	14	525	250	292	602	263	395	57,5	
100	<b>50-125 B</b>				100	132	160	100	70	240	190	50	12	14	560	250	292	602	263	395	53,5	
112		<b>50-125 A</b>			100	132	160	100	70	240	190	50	12	14	610	250	292	602	263	395	65,5	
100	<b>50-125 A</b>				100	132	160	100	70	240	190	50	12	14	560	250	292	602	263	395	57,5	
112	<b>50-160 B1</b>				100	160	180	100	70	265	212	50	12	14	597	270	340	627	287	408	68,5	
132	<b>50-160 B</b>				100	160	180	100	70	265	212	50	12	14	590	270	340	627	287	408	74,5	
112	<b>50-160 A1</b>				100	160	180	100	70	265	212	50	12	14	597	270	340	627	287	408	74,5	
132	<b>50-160 A</b>				100	160	180	100	70	265	212	50	12	14	590	270	340	627	287	408	81	
132	<b>50-200 C</b>				100	160	200	100	70	265	212	50	12	14	635	290	360	666	346	471	98	
132	<b>50-200 B</b>				100	160	200	100	70	265	212	50	12	14	635	290	360	666	346	471	102,5	
160	<b>50-200 A</b>		100	160	200	100	70	265	212	50	12	14	705	290	360	810	354	480	132,5			
160	<b>50-250 C</b>		100	180	225	125	95	320	250	65	14	14	705	332	405	810	354	480	139			
160	<b>50-250 B</b>		100	180	225	125	95	320	250	65	14	14	750	332	405	810	354	480	154			
160	<b>50-250 A</b>		100	180	225	125	95	320	250	65	14	14	750	332	405	810	354	480	164			



MEC	3- TYPE	1- TYPE	DIMENSIONS (mm)																		
			DNA	DNM	a	h1	h2	m1	m2	n1	n2	b	x	s	C	B	H			I	L
112	65-125 B1		80	65	100	160	180	125	95	280	212	65	14	14	612	280	340	627	287	408	70
132	65-125 B				100	160	180	125	95	280	212	65	14	14	605	280	340	627	287	408	76,5
112	65-125 A1				100	160	180	125	95	280	212	65	14	14	612	280	340	627	287	408	76,5
132	65-125 A				100	160	180	125	95	280	212	65	14	14	605	280	340	627	287	408	83
132	65-160 C				100	160	200	125	95	280	212	65	14	14	635	290	360	666	346	471	99,5
132	65-160 B				100	160	200	125	95	280	212	65	14	14	635	290	360	666	346	471	103,5
160	65-160 A				100	160	200	125	95	280	212	65	14	14	705	290	360	810	354	480	135
160	65-200 C				100	180	225	125	95	320	250	65	14	14	705	330	405	810	354	480	138,5
160	65-200 B				100	180	225	125	95	320	250	65	14	14	750	330	405	810	354	480	153
160	65-200 A				100	180	225	125	95	320	250	65	14	14	750	330	405	810	354	480	163,5
180	65-250 B				100	200	250	160	120	360	280	80	16	19	820	370	450	920	420	625	203,5
180	65-250 A				100	200	250	160	120	360	280	80	16	19	860	370	450	920	420	625	226
132	80-160 E		100	80	125	180	225	125	95	320	250	65	14	14	665	330	405	810	354	480	110
132	80-160 D				125	180	225	125	95	320	250	65	14	14	665	330	405	810	354	480	114
160	80-160 C				125	180	225	125	95	320	250	65	14	14	735	330	405	810	354	480	143
160	80-160 B				125	180	225	125	95	320	250	65	14	14	780	330	405	810	354	480	157,5
160	80-160 A				125	180	225	125	95	320	250	65	14	14	780	330	405	810	354	480	168
180	80-200 B				125	180	250	125	95	345	280	65	16	14	840	355	430	920	420	625	200
180	80-200 A				125	180	250	125	95	345	280	65	16	14	880	355	430	920	420	625	222
180	100-160 B				125	100	125	200	280	160	120	360	280	80	18	18	842	390	480	920	420
180	100-160 A		125	200			280	160	120	360	280	80	18	18	882	390	480	920	420	625	230,5

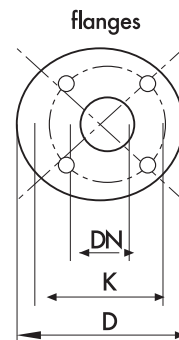
DIMENSIONS (mm)				
DN	D	K	holes	
			n°	Ø
32	140	100	4	18
40	150	110	4	18
50	165	125	4	18
65	185	145	4	18
80	200	160	8	18
100	220	180	8	18
125	250	210	8	18



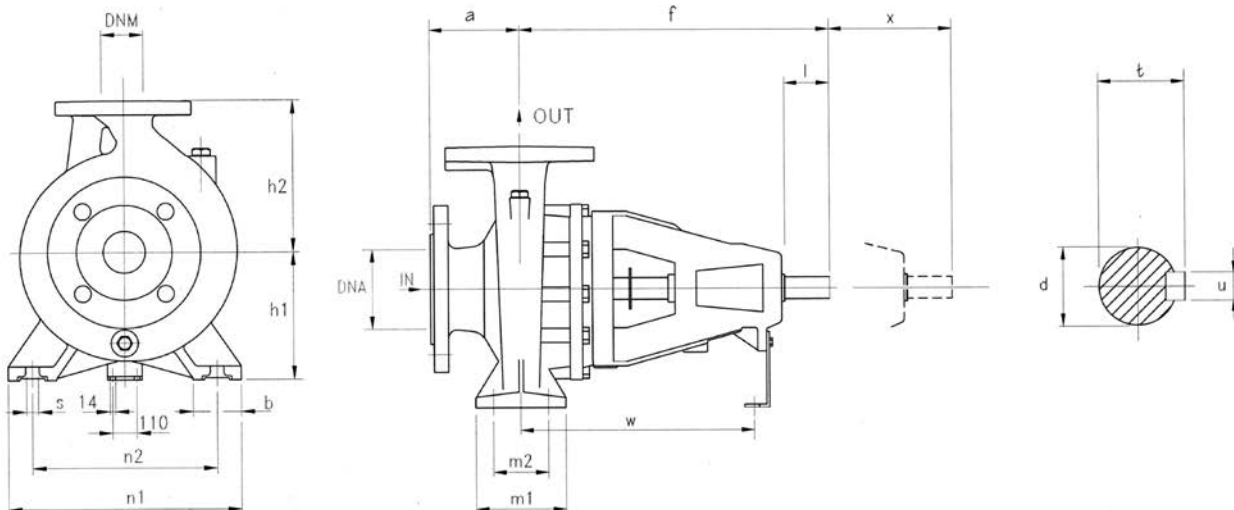


TYPE	DIMENSIONS (mm)															Kg
	DNA	DNM	m1	m2	N2	N1	H1	H2	H	A	AB	B	PM	C	HA	
80-250B	100	80	200	120	315	406	225	317	550	356	435	311	356	1130	28	418
80-250A			320	280	360	420	280	317	650	406	485	349	325	1240	58	505
100-200B	125	100	200	120	280	360	225	321	550	356	435	311	356	1130	28	417
100-200A			320	280	360	420	280	321	650	406	485	349	325	1240	60	505
100-250C			320	280	360	420	280	321	675	406	485	349	325	1315	60	516
100-250B			320	280	360	420	280	321	675	457	545	368	347	1315	35	645
100-250A			320	280	360	420	280	321	675	457	545	419	347	1370	35	680

DIMENSIONS (mm)				
DN	D	K	holes	
			n°	Ø
80	200	160	8	18
100	220	180	8	18
125	250	210	8	18

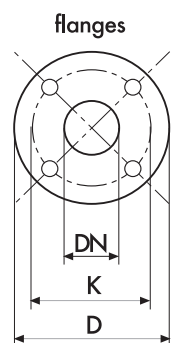


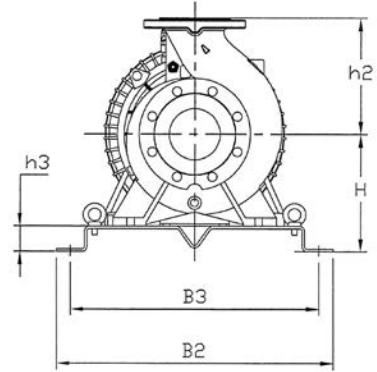
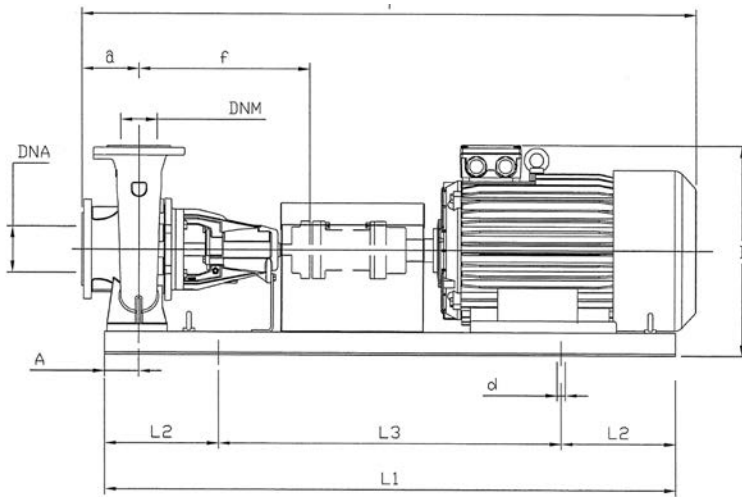
**CA-CAX EN 733 ~ 2900 r.p.m.**  
**4CA-4CAX EN 733 ~ 1450 r.p.m.**



TYPE	DIMENSIONS (mm)																			M	L	M	Kg
	DNA	DNM	a	f	h1	h2	m1	m2	n1	n2	s	b	l	d	t	u	x	w	l				
32-160			80	360	132	160	100	70	240	190	14	50	50	24	27	8	100	260	535	320	445	38	
32-200	50	32	80	360	160	180	100	70	240	190	14	50	50	24	27	8	100	260	535	320	445	41	
32-250			100	360	180	225	125	95	320	250	14	65	65	24	27	8	100	260	545	405	545	49	
40-125			80	360	112	140	100	70	210	160	14	50	50	24	27	8	100	260	535	320	445	37	
40-160			80	360	132	160	100	70	240	190	14	50	50	24	27	8	100	260	535	320	445	40	
40-200	65	40	100	360	160	180	100	70	265	212	14	50	50	24	27	8	100	260	535	320	445	44	
40-250			100	360	180	225	125	95	320	250	14	65	50	24	27	8	100	260	545	405	545	49,5	
50-125			100	360	132	160	100	70	240	190	14	50	50	24	27	8	100	260	535	320	445	39,5	
50-160			100	360	160	180	100	70	265	212	14	50	50	24	27	8	100	260	535	320	445	44	
50-200	65	50	100	360	160	200	100	70	265	212	14	50	50	24	27	8	100	260	535	320	445	47	
50-250			100	360	180	225	125	95	320	250	14	65	50	24	27	8	100	260	545	405	545	53	
50-315	80		125	470	225	280	125	95	345	280	14	65	80	32	35,3	10	100	340	655	465	620	94,5	
65-125			100	360	160	180	125	95	280	212	14	65	65	24	27	8	100	260	535	320	445	44,5	
65-160			100	360	160	200	125	95	280	212	14	65	65	24	27	8	100	260	535	320	445	49	
65-200	80	65	100	360	180	225	125	95	320	250	14	65	65	24	27	8	140	260	545	405	545	54	
65-250			100	470	200	250	160	120	360	280	19	80	80	32	35	10	140	340	545	405	545	76,5	
65-315			125	470	225	280	160	120	400	315	19	80	80	32	35	10	140	340	655	465	620	96	
80-160			125	360	180	225	125	95	320	250	14	65	50	24	27	8	140	260	545	405	545	58	
80-200			125	470	180	250	125	95	345	280	14	65	80	32	35	10	140	340	680	405	545	74	
80-250	100	80	125	470	200	280	160	120	400	315	18	80	80	32	35,3	10	140	340	655	465	585	91	
80-315			125	470	250	315	160	120	400	315	18	80	80	32	35,3	10	140	340	655	465	620	106	
100-200			125	470	200	280	160	120	360	280	18	80	80	32	35,3	10	140	340	655	465	620	95	
100-250			140	470	225	280	160	120	400	315	18	80	80	32	35,3	10	140	340	655	465	620	103	
100-315	125	100	140	470	250	315	160	120	400	315	18	80	80	32	35,3	10	140	340	655	465	620	122	
100-400			140	530	280	355	200	150	500	400	22	100	110	42	45,3	12	140	370	720	775	855	183,5	
125-250			160	530	315	450	200	150	400	315	22	100	110	42	45,3	12	140	370	655	465	620	132	
125-315	150	125	140	530	280	355	200	150	500	400	22	100	110	42	45,3	12	140	370	720	775	855	176	
125-400			140	530	315	400	200	150	500	400	22	100	110	42	45,3	12	140	370	720	775	855	198	
150-315			160	530	280	400	200	150	550	450	22	100	110	42	45,3	12	140	370	655	465	620	191	
150-400	200	150	160	530	315	450	200	150	550	450	22	100	110	42	45,3	12	140	370	720	775	855	218,5	
200-315			180	706	355	450	250	190	634	500	28	134	110	55	58,3	16	208	523	800	1200	1150	345	
200-400	250	200	180	706	355	500	250	190	634	500	28	134	110	55	58,3	16	214	523	800	1200	1150	346	
250-315			225	711	400	500	250	200	694	560	28	134	110	55	58,3	16	214	528	800	1200	1070	401,5	
250-400	300	250	225	706	400	550	250	200	694	560	28	134	110	55	58,3	16	220	523	800	1200	1120	393	

DIMENSIONS (mm)				
DN	D	K	holes	
			n°	Ø
32	140	100	4	18
40	150	110	4	18
50	165	125	4	18
65	185	145	4	18
80	200	160	8	18
100	220	180	8	18
125	250	210	8	18
150	285	240	8	23
200	340	295	8	23
250	395	350	12	23
300	445	400	12	23





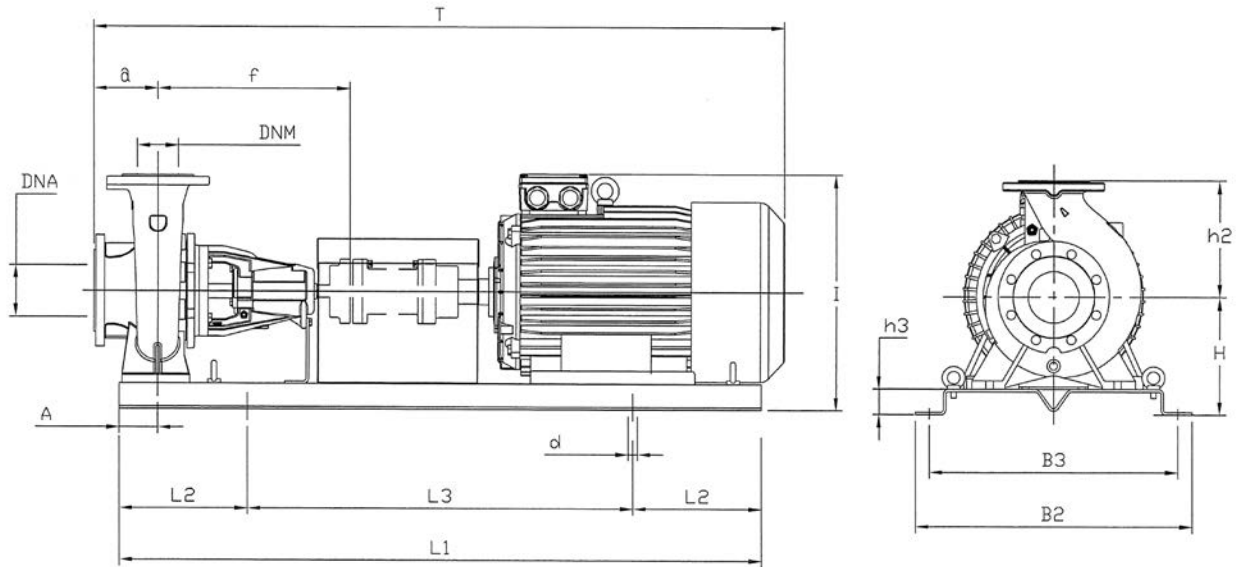
TYPE	kW	Motor Size	DIMENSIONS (mm)																Kg
			DNA	DNM	a	f	H	h2	h3	L1	L2	L3	B2	B3	A	d	T	I	
32-160C	1,5	90S	50	32	80	360	182	160	50	800	130	540	360	320	60	18	855	342	82,1
32-160B	2,2	90L			80	360	182	160	50	900	150	600	390	350	60	18	920	342	87,7
32-160A	3	100L			80	360	182	160	50	900	150	600	390	350	60	18	920	362	96,7
32-160A	4	112M			80	360	182	160	50	900	150	600	390	350	60	18	940	375	104,7
32-200C	4	112M			80	360	210	180	50	900	150	600	390	350	60	18	940	403	108,7
32-200B	5,5	132S			80	360	210	180	50	1000	170	660	450	400	60	22	1020	433	116,1
32-200A	7,5	132S			80	360	210	180	50	1000	170	660	450	400	60	22	1020	433	144,3
32-250C	11	160M			100	360	230	225	50	1250	205	840	540	490	75	22	1275	495	207,3
32-250B	11	160M			100	360	230	225	50	1250	205	840	540	490	75	22	1275	495	207,3
32-250A	15	160M			100	360	230	225	50	1250	205	840	540	490	75	22	1275	495	219,3
40-125C	1,5	90S	65	40	80	360	162	140	50	800	130	540	360	320	60	18	855	317	82,2
40-125C	2,2	90L			80	360	162	140	50	900	150	600	390	350	60	18	920	317	87,8
40-125B	2,2	90L			80	360	162	140	50	900	150	600	390	350	60	18	920	317	87,8
40-125B	3	100L			80	360	162	140	50	900	150	600	390	350	60	18	920	342	96,8
40-125A	3	100L			80	360	162	140	50	900	150	600	390	350	60	18	920	342	96,8
40-160B	3	100L			80	360	182	160	50	900	150	600	390	350	60	18	920	362	99,8
40-160B	4	112M			80	360	182	160	50	900	150	600	390	350	60	18	940	375	107,8
40-160A	4	112M			80	360	182	160	50	900	150	600	390	350	60	18	940	375	107,8
40-160A	5,5	132S			80	360	182	160	50	1000	170	660	450	400	60	22	1020	405	115,2
40-160AP	5,5	132S			80	360	182	160	50	1000	170	660	450	400	60	22	1020	405	115,2
40-200B	5,5	132S			100	360	210	180	50	1000	170	660	450	400	60	22	1040	433	119,2
40-200B	7,5	132S			100	360	210	180	50	1000	170	660	450	400	60	22	1040	433	147,4
40-200A	7,5	132S			100	360	210	180	50	1000	170	660	450	400	60	22	1040	433	147,4
40-200A	11	160M			100	360	210	180	50	1120	190	740	490	440	60	22	1168	475	198,4
40-200 AP	7,5	132S			100	360	210	180	50	1000	170	660	450	400	60	22	1040	433	147,4
40-200 AP	11	160M			100	360	210	180	50	1120	190	740	490	440	60	22	1168	475	198,4
40-250C	11	160M			100	360	230	225	50	1250	205	840	540	490	75	22	1275	495	208,9
40-250B	11	160M			100	360	230	225	50	1250	205	840	540	490	75	22	1275	495	208,9
40-250B	15	160M			100	360	230	225	50	1250	205	840	540	490	75	22	1275	495	220,9
40-250A	15	160M			100	360	230	225	50	1250	205	840	540	490	75	22	1275	495	220,9
40-250A	18,5	160L	100	360	230	225	50	1250	205	840	540	490	75	22	1275	495	238,9		
40-250BM	18,5	160L	100	360	230	225	50	1250	205	840	540	490	75	22	1275	495	238,9		
40-250AM	22	180M	100	360	230	225	50	1250	205	840	540	490	75	22	1275	510	297,3		
50-125B	3	100L	65	50	100	360	182	160	50	900	150	600	390	350	60	18	940	362	99,7
50-125A	4	112M			100	360	182	160	50	900	150	600	390	350	60	18	960	375	107,7
50-160B	5,5	132S			100	360	210	180	50	1000	170	660	450	400	60	22	1040	433	119,6
50-160A	7,5	132S			100	360	210	180	50	1000	170	660	450	400	60	22	1040	433	147,8
50-200C	11	160M			100	360	210	200	50	1120	190	740	490	440	60	22	1168	475	201,8
50-200B	11	160M			100	360	210	200	50	1120	190	740	490	440	60	22	1168	475	201,8
50-200A	15	160M			100	360	210	200	50	1120	190	740	490	440	60	22	1168	475	213,8
50-250C	15	160M			100	360	230	225	50	1250	205	840	540	490	75	22	1275	495	224,8
50-250B	18,5	160L			100	360	230	225	50	1250	205	840	540	490	75	22	1275	495	242,8
50-250A	22	180M			100	360	230	225	50	1250	205	840	540	490	75	22	1275	510	301,2
50-315DN	37	200L	80		125	470	275	280	50	1400	230	940	610	550	75	26	1455	585	415,0
50-315CN	45	225M			125	470	275	280	50	1400	230	940	610	550	75	26	1500	605	465,8
50-315BN	55	250M			125	470	310	280	85	1600	270	1060	660	600	75	26	1650	710	611,8
50-315AN	75	280S			125	470	310	280	85	1800	300	1200	730	670	75	26	1850	770	762,6



# CA-CAX EN 733 ~ 2900 r.p.m.

TYPE	kW	Motor Size	DIMENSIONS (mm)																Kg
			DNA	DNM	a	f	H	h2	h3	L1	L2	L3	B2	B3	A	d	T	I	
65-125B	5,5	132S	80	65	100	360	210	180	50	1000	170	660	450	400	60	22	1040	433	121,4
65-125A	7,5	132S			100	360	210	180	50	1000	170	660	450	400	60	22	1040	433	149,6
65-160C	11	160M			100	360	210	200	50	1120	190	740	490	440	60	22	1168	475	205,1
65-160B	11	160M			100	360	210	200	50	1120	190	740	490	440	60	22	1168	475	205,1
65-160A	15	160M			100	360	210	200	50	1120	190	740	490	440	60	22	1168	475	217,1
65-200C	15	160M			100	360	230	225	50	1250	205	840	540	490	75	22	1275	495	227,5
65-200B	18,5	160L			100	360	230	225	50	1250	205	840	540	490	75	22	1275	495	245,5
65-200A	22	180M			100	360	230	225	50	1250	205	840	540	490	75	22	1290	510	303,3
65-250B	30	200L			100	470	250	250	50	1400	230	940	610	550	90	26	1470	560	377,8
65-250A	37	200L			100	470	250	250	50	1400	230	940	610	550	90	26	1470	560	397,8
65-315CN	55	250M			125	470	310	280	85	1600	270	1060	660	600	90	26	1645	710	614,2
65-315BN	75	280S			125	470	310	280	85	1800	300	1200	730	670	90	26	1835	770	765,0
65-315AN	90	280M	125	470	310	280	85	1800	300	1200	730	670	90	26	1835	770	839,2		
80-160E	11	160M	100	80	125	360	230	225	50	1250	205	840	540	490	75	22	1300	495	220,8
80-160D	11	160M			125	360	230	225	50	1250	205	840	540	490	75	22	1300	495	220,8
80-160C	15	160M			125	360	230	225	50	1250	205	840	540	490	75	22	1300	495	232,8
80-160B	18,5	160L			125	360	230	225	50	1250	205	840	540	490	75	22	1300	495	250,8
80-160A	22	180M			125	360	230	225	50	1250	205	840	540	490	75	22	1315	510	308,7
80-200B	30	200L			125	470	230	250	50	1400	230	940	610	550	75	26	1495	560	376,7
80-200A	37	200L			125	470	230	250	50	1400	230	940	610	550	75	26	1495	560	396,7
80-250B	45	225M			125	470	250	280	50	1400	230	940	610	550	90	26	1540	605	464,5
80-250A	55	250M			125	470	285	280	85	1600	270	1060	660	600	90	26	1645	710	610,5
80-315BN	90	280M			125	470	335	315	85	1800	300	1200	730	670	90	26	1835	770	850,5
80-315AN	110	315S			125	470	405	315	120	2000	300	1400	790	750	90	22	2020	925	1233
100-200B	45	225M			125	100	125	470	250	280	50	1400	230	940	610	550	90	26	1540
100-200A	55	250M	125	470			285	280	85	1600	270	1060	660	600	90	26	1645	710	617,5
100-250C	55	250M	140	470			310	280	85	1600	270	1060	660	600	90	26	1660	710	625,5
100-250C	75	280S	140	470			310	280	85	1800	300	1200	730	670	90	26	1850	770	776,3
100-250B	75	280S	140	470			310	280	85	1800	300	1200	730	670	90	26	1850	770	776,3
100-250A	90	280M	140	470			310	280	85	1800	300	1200	730	670	90	26	1850	770	850,5





TYPE	kW	Motor Size	DIMENSIONS (mm)																	Kg
			DNA	DNM	a	f	H	h2	h3	L1	L2	L3	B2	B3	A	d	T	I		
32-160C	0,37	71M	50	32	80	360	182	160	50	800	130	540	360	320	60	18	820	342	59,4	
32-160B	0,37	71M			80	360	182	160	50	800	130	540	360	320	60	18	820	342	59,4	
32-160A	0,55	80M			80	360	182	160	50	800	130	540	360	320	60	18	820	342	59,1	
32-200C	0,75	80M			80	360	210	180	50	800	130	540	360	320	60	18	820	390	75,1	
32-200B	1,1	90S			80	360	210	180	50	800	130	540	360	320	60	18	855	390	88,1	
32-200A	1,1	90S			80	360	210	180	50	800	130	540	360	320	60	18	855	390	88,1	
32-250C	1,5	90S			100	360	230	225	50	1000	170	660	450	400	75	22	1025	455	106,7	
32-250B	1,5	90S			100	360	230	225	50	1000	170	660	450	400	75	22	1025	455	106,7	
32-250A	2,2	100L			100	360	230	225	50	1000	170	660	450	400	75	22	1025	455	112,7	
40-125C	0,37	71M			65	40	80	360	162	140	50	800	130	540	360	320	60	18	820	302
40-125B	0,37	71M	80	360			162	140	50	800	130	540	360	320	60	18	820	302	59,5	
40-125A	0,55	80M	80	360			162	140	50	800	130	540	360	320	60	18	820	307	59,2	
40-160B	0,55	80M	80	360			182	160	50	800	130	540	360	320	60	18	820	342	62,2	
40-160A	0,75	80M	80	360			182	160	50	800	130	540	360	320	60	18	820	342	74,2	
40-160AP	0,75	80M	80	360			182	160	50	800	130	540	360	320	60	18	820	342	74,2	
40-160AP	1,1	90S	80	360			182	160	50	800	130	540	360	320	60	18	855	342	87,2	
40-200B	1,1	90S	100	360			210	180	50	900	150	600	390	350	60	18	940	390	93,8	
40-200A	1,1	90S	100	360			210	180	50	900	150	600	390	350	60	18	940	390	93,8	
40-200A	1,5	90S	100	360			210	180	50	900	150	600	390	350	60	18	940	390	98,8	
40-200AP	1,1	90S	100	360	210	180	50	900	150	600	390	350	60	18	940	390	93,8			
40-200AP	1,5	90S	100	360	210	180	50	900	150	600	390	350	60	18	940	390	98,8			
40-250C	1,5	90S	100	360	230	225	50	1000	170	660	450	400	75	22	1025	455	108,3			
40-250B	2,2	100L	100	360	230	225	50	1000	170	660	450	400	75	22	1025	455	114,3			
40-250A	2,2	100L	100	360	230	225	50	1000	170	660	450	400	75	22	1025	455	114,3			
50-125B	0,55	80M	65	50	100	360	182	160	50	800	130	540	360	320	60	18	840	342	62,1	
50-125A	0,75	80M			100	360	182	160	50	800	130	540	360	320	60	18	840	342	74,1	
50-160B	0,75	80M			100	360	210	180	50	800	130	540	360	320	60	18	840	390	78,6	
50-160A	1,1	90S			100	360	210	180	50	800	130	540	360	320	60	18	875	390	91,6	
50-200C	1,1	90S			100	360	210	200	50	900	150	600	390	350	60	18	940	410	97,2	
50-200B	1,5	90S			100	360	210	200	50	900	150	600	390	350	60	18	940	410	102,2	
50-200A	1,5	90S			100	360	210	200	50	900	150	600	390	350	60	18	940	410	102,2	
50-250C	2,2	100L			100	360	230	225	50	1000	170	660	450	400	75	22	1025	455	118,2	
50-250B	3	100L			100	360	230	225	50	1000	170	660	450	400	75	22	1025	455	122,2	
50-250A	4	112M			100	360	230	225	50	1000	170	660	450	400	75	22	1025	455	128,2	
50-315C	5,5	132S	80		125	470	275	280	50	1120	190	740	490	440	75	22	1170	555	200,1	
50-315B	7,5	132M			125	470	275	280	50	1120	190	740	490	440	75	22	1200	555	186,6	
50-315A	11	160M			125	470	275	280	50	1250	205	840	540	490	75	22	1303	555	260,1	


# 4CA-4CAX EN 733 ~ 1450 r.p.m.


TYPE	kW	Motor Size	DIMENSIONS (mm)																Kg
			DNA	DNM	a	f	H	h2	h3	L1	L2	L3	B2	B3	A	d	T	I	
65-125B	0,75	80M	80	65	100	360	210	180	50	800	130	540	360	320	60	18	840	390	80,4
65-125A	1,1	90S			100	360	210	180	50	800	130	540	360	320	60	18	875	390	93,4
65-160C	1,5	90S			100	360	210	200	50	900	150	600	390	350	60	18	940	410	105,5
65-160B	1,5	90S			100	360	210	200	50	900	150	600	390	350	60	18	940	410	105,5
65-160A	2,2	100L			100	360	210	200	50	900	150	600	390	350	60	18	940	410	111,5
65-200C	2,2	100L			100	360	230	225	50	1120	190	740	490	440	75	22	1145	455	124,8
65-200B	3	100L			100	360	230	225	50	1120	190	740	490	440	75	22	1145	455	128,8
65-200A	3	100L			100	360	230	225	50	1120	190	740	490	440	75	22	1145	455	128,8
65-250B	4	112M			100	470	250	250	50	1120	190	740	490	440	90	22	1130	500	159,0
65-250B	5,5	132S			100	470	250	250	50	1120	190	740	490	440	90	22	1175	500	183,0
65-250A	5,5	132S			100	470	250	250	50	1120	190	740	490	440	90	22	1175	500	183,0
65-315CM	7,5	132M			125	470	275	280	50	1250	205	840	540	490	90	22	1285	555	194,0
65-315BM	11	160M			125	470	275	280	50	1250	205	840	540	490	90	22	1343	555	262,5
65-315AM	11	160M			125	470	275	280	50	1250	205	840	540	490	90	22	1343	555	262,5
80-160E	1,1	90S			100	80	125	360	230	225	50	1000	170	660	450	400	75	22	1050
80-160D	1,5	90S	125	360			230	225	50	1000	170	660	450	400	75	22	1050	455	120,1
80-160C	1,5	90S	125	360			230	225	50	1000	170	660	450	400	75	22	1050	455	120,1
80-160B	2,2	100L	125	360			230	225	50	1000	170	660	450	400	75	22	1050	455	126,1
80-160A	3	100L	125	360			230	225	50	1000	170	660	450	400	75	22	1050	455	130,1
80-200B	4	112M	125	470			230	250	50	1120	190	740	490	440	75	22	1170	480	157,8
80-200A	5,5	132S	125	470			230	250	50	1120	190	740	490	440	75	22	1200	480	181,8
80-250B	5,5	132S	125	470			250	280	50	1250	205	840	540	490	90	22	1285	530	203,8
80-250A	7,5	132M	125	470			250	280	50	1250	205	840	540	490	90	22	1285	530	190,3
80-315B	11	160M	125	470			300	315	50	1250	205	840	540	490	90	22	1343	615	273,8
80-315A	15	160L	125	470			300	315	50	1400	230	940	610	550	90	26	1435	615	305,8
100-200B	5,5	132S	125	100	125	470	250	280	50	1120	190	740	490	440	90	22	1200	530	205,8
100-200A	7,5	132M			125	470	250	280	50	1120	190	740	490	440	90	22	1240	530	192,3
100-250E	7,5	132M			140	470	275	280	50	1250	205	840	540	490	90	22	1300	555	205,3
100-250D	7,5	132M			140	470	275	280	50	1250	205	840	540	490	90	22	1300	555	205,3
100-250D	11	160M			140	470	275	280	50	1250	205	840	540	490	90	22	1358	555	273,8
100-250A	11	160M			140	470	275	280	50	1250	205	840	540	490	90	22	1358	555	273,8
100-315B	15	160L			140	470	300	315	50	1400	230	940	610	550	90	26	1450	615	327,7
100-315A	18,5	180M			140	470	300	315	50	1400	230	940	610	550	90	26	1450	615	348,3
100-400C	22	180L			140	530	365	355	85	1600	270	1060	660	600	110	26	1630	720	469,5
100-400B	30	200L			140	530	365	355	85	1600	270	1060	660	600	110	26	1630	720	540,8
100-400A	37	225S			140	530	365	355	85	1600	270	1060	660	600	110	26	1630	720	554,3
125-250B	11	160M	150	125	140	470	300	355	50	1250	205	840	540	490	90	22	1358	655	308,1
125-250A	15	160L			140	470	300	355	50	1400	230	940	610	550	90	26	1450	655	340,1
125-315C	22	180L			140	530	365	355	85	1600	270	1060	660	600	110	26	1630	720	464,4
125-315B	30	200L			140	530	365	355	85	1600	270	1060	660	600	110	26	1630	720	535,8
125-315A	37	225S			140	530	365	355	85	1600	270	1060	660	600	110	26	1630	720	549,3
125-400C	45	225M			140	530	400	400	85	1600	270	1060	660	600	110	26	1630	800	659,2
125-400B	55	250M			140	530	400	400	85	1600	270	1060	660	600	110	26	1630	800	756,0
125-400A	75	280S			140	530	400	400	85	1800	300	1200	730	670	110	26	1830	805	939,4
150-315D	30	200L	200	150	160	530	365	400	85	1800	300	1200	730	670	110	26	1850	765	570,7
150-315C	37	225S			160	530	365	400	85	1800	300	1200	730	670	110	26	1850	765	584,2
150-315B	45	225M			160	530	365	400	85	1800	300	1200	730	670	110	26	1850	765	672,1
150-315A	55	250M			160	530	365	400	85	1800	300	1200	730	670	110	26	1850	765	768,9
150-400C	75	280S			160	530	400	450	85	1800	300	1200	730	670	110	26	1850	850	951,4
150-400B	75	280S			160	530	400	450	85	1800	300	1200	730	670	110	26	1850	850	962,8
150-400A	90	280M			160	530	400	450	85	1800	300	1200	730	670	110	26	1850	850	1057,8







# CM Serie-Mechanical seal and bearings

MECHANICAL SEAL	PUMP MODEL	SHAFT Ø		STANDARD MATERIAL	OPTIONAL			
	CM32-160C, CM32-160B, CM32-160A, CM40-125C, CM40-125B, CM40-125A	20mm	<b>Rotating face</b> <b>Stationary face</b> <b>Elastomer</b>	Ceramic Graphite NBR	Ceramic Graphite EPDM	- - -	SiC SiC EPDM	SiC SiC FKM
	CM40-250BM, CM40-250AM	28mm	<b>Rotating face</b> <b>Stationary face</b> <b>Elastomer</b>	Ceramic Graphite EPDM	- - -	- - -	SiC SiC EPDM	SiC SiC FKM
	CM32-200C, CM32-200B1, CM32-200B, CM32-200A1, CM32-200A, CM32-250C, CM32-250B, CM32-250A, CM40-160B, CM40-160A, CM40-160AP, CM40-200B1, CM40-200B, CM40-200A1, CM40-200A, CM40-200AP, CM40-250C, CM40-250B, CM40-250A, CM50-125B, CM50-125A, CM50-160B1, CM50-160B, CM50-160A1, CM50-160A, CM50-200C, CM50-200B, CM50-200A, CM50-250C, CM50-250B, CM50-250A, CM65-125B1, CM65-125B, CM65-125A1, CM65-125A, CM65-160C, CM65-160B, CM65-160A, CM65-200C, CM65-200B, CM65-200A, CM80-160E, CM80-160D, CM80-160C, CM80-160B, CM80-160A	28mm	<b>Rotating face</b> <b>Stationary face</b> <b>Elastomer</b>	Ceramic Graphite NBR	Ceramic Graphite EPDM	Ceramic Graphite FKM	SiC SiC EPDM	SiC SiC FKM
	CM65-250B, CM65-250A, CM80-200B, CM80-200A, CM100-160B, CM100-160A	40mm	<b>Rotating face</b> <b>Stationary face</b> <b>Elastomer</b>	CrNi-steel Graphite NBR	CrNi-steel Graphite EPDM	CrNi-steel Graphite FKM	SiC SiC EPDM	SiC SiC FKM


BEARINGS	PUMP MODEL	TYPE	
	3-CM32-200C, CM40-160B, 3-CM40-160A, CM50-125B, 3-CM50-125A	6204-ZZ	6206-ZZ C3
	CM32-160C, CM32-160B, CM32-160A, CM40-125C, CM40-125B, CM40-125A	6205-ZZ C3	6203-ZZ
	1-CM32-200C, CM32-200B1, CM32-200B, CM32-200A1, CM32-200A, CM32-250C, CM32-250B, 1-CM40-160A, CM40-160AP, CM40-200B1, CM40-200B, CM40-200A1, CM40-200A, CM40-200AP, CM40-250C, CM40-250B, 1-CM50-125A, CM50-160B1, CM50-160B, CM50-160A1, CM50-160A, CM50-200C, CM50-200B, CM65-125B1, CM65-125B, CM65-125A1, CM65-125A, CM65-160C, CM65-160B, CM80-160E, CM80-160D	6206-ZZ C3	6306-ZZ C3
	CM32-250A, CM40-250A, CM40-250BM, CM40-250AM, CM50-200A, CM50-250C, CM50-250B, CM50-250A, CM65-160A, CM65-200C, CM65-200B, CM65-200A, CM80-160C, CM80-160B, CM80-160A	6308-ZZ C3	6309-ZZ C3
	CM65-250B, CM65-250A, CM80-200B, CM80-200A, CM100-160B, CM100-160A	6309-ZZ C3	6310-ZZ C3


## CMG Serie-Mechanical seal and bearings

MECHANICAL SEAL	PUMP MODEL	SHAFT Ø		STANDARD MATERIAL	OPTIONAL			
	CMG80-250B, CMG80-250A, CMG100-200B, CMG100-200A, CMG100-250C, CMG100-250B, CMG100-250A	45mm	<i>Rotating face</i> <i>Stationary face</i> <i>Elastomer</i>	CrNi-steel Graphite NBR	CrNi-steel Graphite EPDM	CrNi-steel Graphite FKM	SiC SiC EPDM	SiC SiC FKM

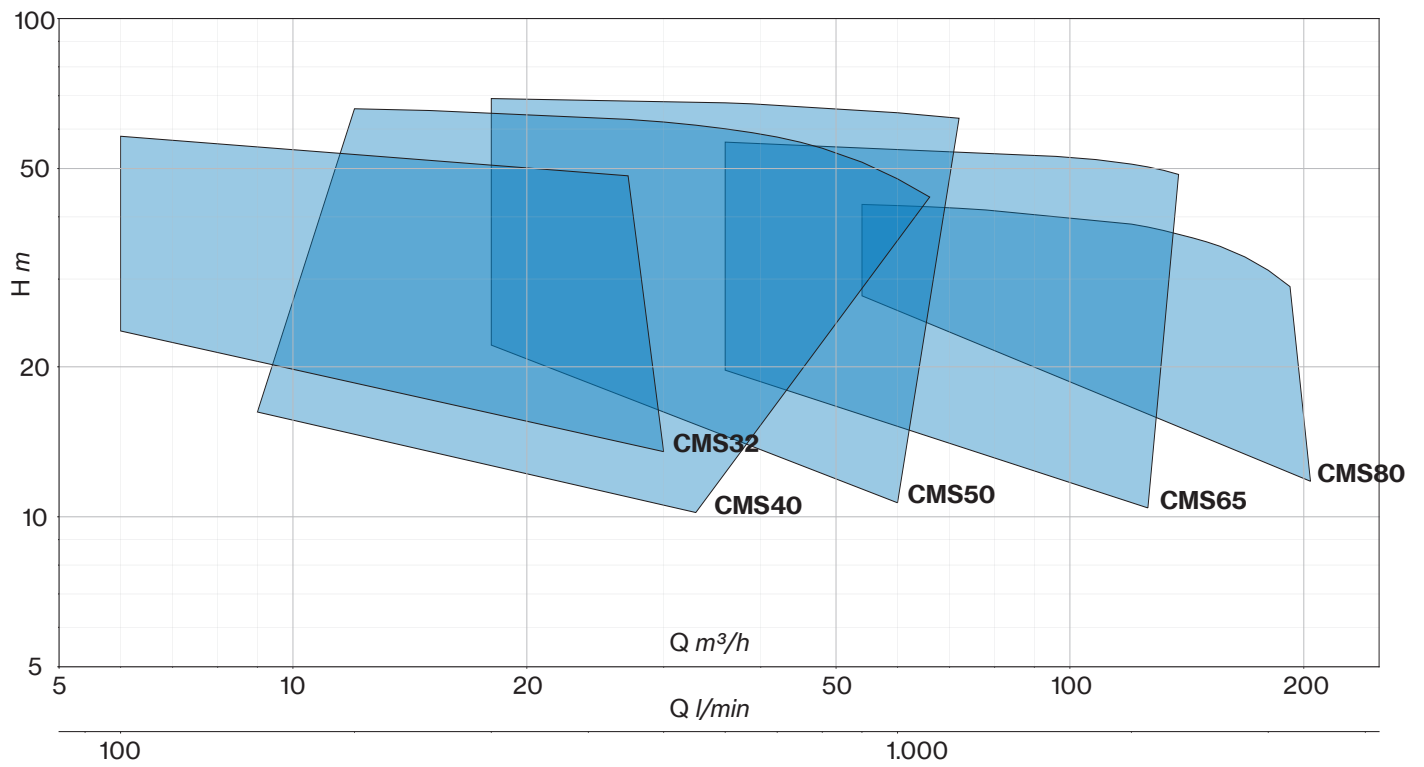
MOTOR BEARINGS	PUMP MODEL	TYPE	
	CMG80-250B, CMG100-200B	6313-ZZ C3	6313-ZZ C3
	CMG80-250A, CMG100-200A, CMG100-250C, CMG100-250B, CMG100-250A	6314-ZZ C3	6314-ZZ C3

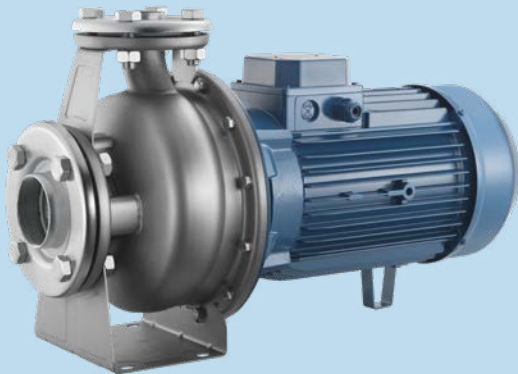
# CA-4CA Serie-Mechanical seal and bearings

MECHANICAL SEAL	PUMP MODEL	SHAFT Ø		STANDARD MATERIAL	OPTIONAL				
	CA32-160C, CA32-160B, CA32-160A, CA40-125C, CA40-125B, CA40-125A	20mm	<b>Rotating face</b> <b>Stationary face</b> <b>Elastomer</b>	Ceramic Graphite NBR	Ceramic Graphite EPDM	- - -	SiC SiC EPDM	SiC SiC FKM	
	CA40-250BM, CA40-250AM	28mm	<b>Rotating face</b> <b>Stationary face</b> <b>Elastomer</b>	Ceramic Graphite EPDM	- - -	- - -	SiC SiC EPDM	SiC SiC FKM	
	CA32-200C, CA32-200B, CA32-200A, CA32-250C, CA32-250B, CA32-250A, CA40-160B, CA40-160A, CA40-200B, CA40-200A, CA40-250C, CA40-250B, CA40-250A, CA50-125B, CA50-125A, CA50-160B, CA50-160A, CA50-200C, CA50-200B, CA50-200A, CA50-250C, CA50-250B, CA50-250A, CA65-125B, CA65-125A, CA65-160C, CA65-160B, CA65-160A, CA65-200C, CA65-200B, CA65-200A, CA80-160E, CA80-160D, CA80-160C, CA80-160B, CA80-160A	28mm	<b>Rotating face</b> <b>Stationary face</b> <b>Elastomer</b>	Ceramic Graphite NBR	Ceramic Graphite EPDM	Ceramic Graphite FKM	SiC SiC EPDM	SiC SiC FKM	
	4CA50-315C, 4CA50-315B, 4CA50-315A, CA65-250B, CA65-250A, 4CA65-315CM, 4CA65-315BM, 4CA65-315AM, CA80-200B, CA80-200A, 4CA80-315B, 4CA80-315A, 4CA100-315	40mm	<b>Rotating face</b> <b>Stationary face</b> <b>Elastomer</b>	CrNi-steel Graphite NBR	CrNi-steel Graphite EPDM	CrNi-steel Graphite FKM	SiC SiC EPDM	SiC SiC FKM	
	CA50-315DN, CA50-315CN, CA50-315BN, CA50-315AN, CA65-315CN, CA65-315BN, CA65-315AN, CA80-315BN, CA80-315AN	40mm	<b>Rotating face</b> <b>Stationary face</b> <b>Elastomer</b>	SiC SiC EPDM	- - -	- - -	- - -	SiC SiC FKM	
	CA80-250B, CA80-250A, CA100-200B, CA100-200A, CA100-250C, CA100-250B, CA100-250A, 4CA100-250E, 4CA125-250B, 4CA125-250A	45mm	<b>Rotating face</b> <b>Stationary face</b> <b>Elastomer</b>	CrNi-steel Graphite NBR	CrNi-steel Graphite EPDM	CrNi-steel Graphite FKM	SiC SiC EPDM	SiC SiC FKM	
	4CA100-400C, 4CA100-400B, 4CA100-400A, 4CA125-315C, 4CA125-315B, 4CA125-315A, 4CA125-400C, 4CA125-400B, 4CA125-400A, 4CA150-315C, 4CA150-315B, 4CA150-315A, 4CA150-400B, 4CA150-400A	55mm	<b>Rotating face</b> <b>Stationary face</b> <b>Elastomer</b>	Graphite SiC FKM	- - -	- - -	SiC SiC EPDM	SiC SiC FKM	
	4CA200-315D, 4CA200-315C, 4CA200-315B, 4CA200-315A, 4CA200-400C, 4CA200-400B, 4CA200-400A, 4CA250-315C, 4CA250-315B, 4CA250-315A, 4CA250-400D, 4CA250-400C, 4CA250-400B, 4CA250-400A	70mm	<b>Rotating face</b> <b>Stationary face</b> <b>Elastomer</b>	Graphite SiC FKM	- - -	- - -	SiC SiC EPDM	SiC SiC FKM	

PUMP BEARINGS	PUMP MODEL	TYPE	
	CA32-160C, CA32-160B, CA32-160A, CA32-200C, CA32-200B, CA32-200A, CA32-250C, CA32-250B, CA32-250A, CA40-125C, CA40-125B, CA40-125A, CA40-160B, CA40-160A, CA40-200B, CA40-200A, CA40-250C, CA40-250B, CA40-250A, CA40-250BM, CA40-250AM, CA50-125B, CA50-125A, CA50-160B, CA50-160A, CA50-200C, CA50-200B, CA50-200A, CA50-250C, CA50-250B, CA50-250A, CA65-125B, CA65-125A, CA65-160C, CA65-160B, CA65-160A, CA65-200C, CA65-200B, CA65-200A, CA80-160E, CA80-160D, CA80-160C, CA80-160B, CA80-160A	6306-ZZ C3	6306-ZZ C3
	4CA50-315, CA65-250B, CA65-250A, 4CA65-315CM, 4CA65-315BM, 4CA65-315AM, CA80-200B, CA80-200A, 4CA80-315B, 4CA80-315A, 4CA100-315C, 4CA100-315B, 4CA100-315A	3208-ZZ C3	3208-ZZ C3
	CA50-315DN, CA50-315CN, CA50-315BN, CA50-315AN, CA65-315CN, CA65-315BN, CA65-315AN, CA80-250B, CA80-250A, CA80-315BN, CA80-315AN, CA100-200B, CA100-200A, CA100-250C, CA100-250B, CA100-250A, 4CA100-250E, 4CA125-250B, 4CA125-250A	6209-ZZ C3	6309-ZZ C3
	4CA100-400C, 4CA100-400B, 4CA100-400A, 4CA125-315C, 4CA125-315B, 4CA125-315A, 4CA125-400C, 4CA125-400B, 4CA125-400A, 4CA150-315C, 4CA150-315B, 4CA150-315A, 4CA150-400A, 4CA150-400B	6211-ZZ C3	6311-ZZ C3
	4CA200-315D, 4CA200-315C, 4CA200-315B, 4CA200-315A, 4CA200-400C, 4CA200-400B, 4CA200-400A, 4CA250-315C, 4CA250-315B, 4CA250-315A, 4CA250-400D, 4CA250-400C, 4CA250-400B, 4CA250-400A	6313-ZZ C3	6313-ZZ C3







Monobloc horizontal centrifugal pumps made of stainless steel. Widely used in water supplies, pressurization, cooling, and industrial applications. The pumps guarantee small change in pressure for large flow variation.

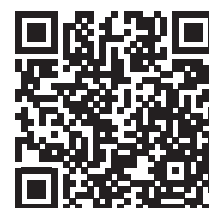
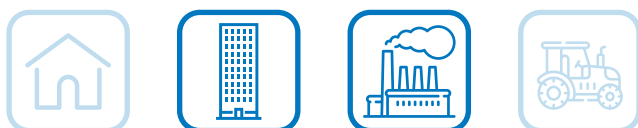
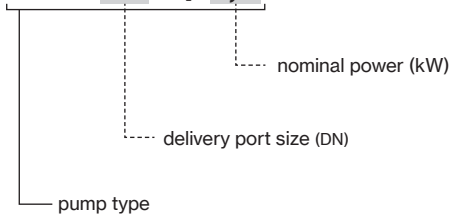
### Construction features

<b>Pump body</b>	stainless steel AISI 304
<b>Motor bracket</b>	cast iron
<b>Impeller</b>	stainless steel AISI 304
<b>Mechanical seal</b>	ceramic-graphite-NBR
<b>Mechanical seal housing</b>	stainless steel AISI 304
<b>Pump shaft end</b>	stainless steel AISI 304
<b>Liquid temperature</b>	-10 ÷ +90 °C
<b>Operating pressure</b>	max 10 bar

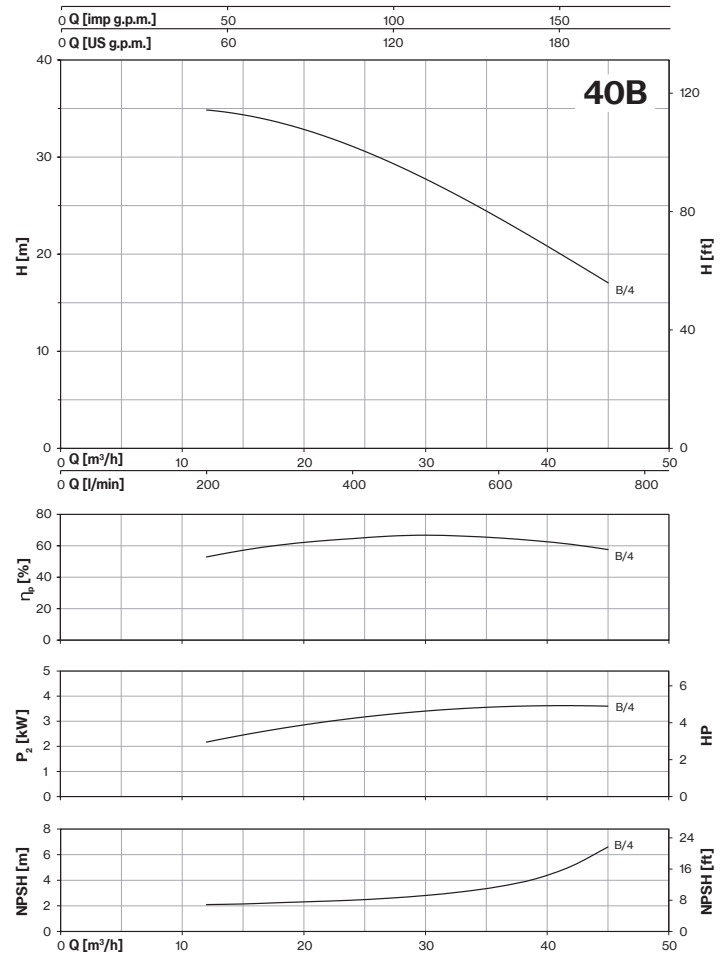
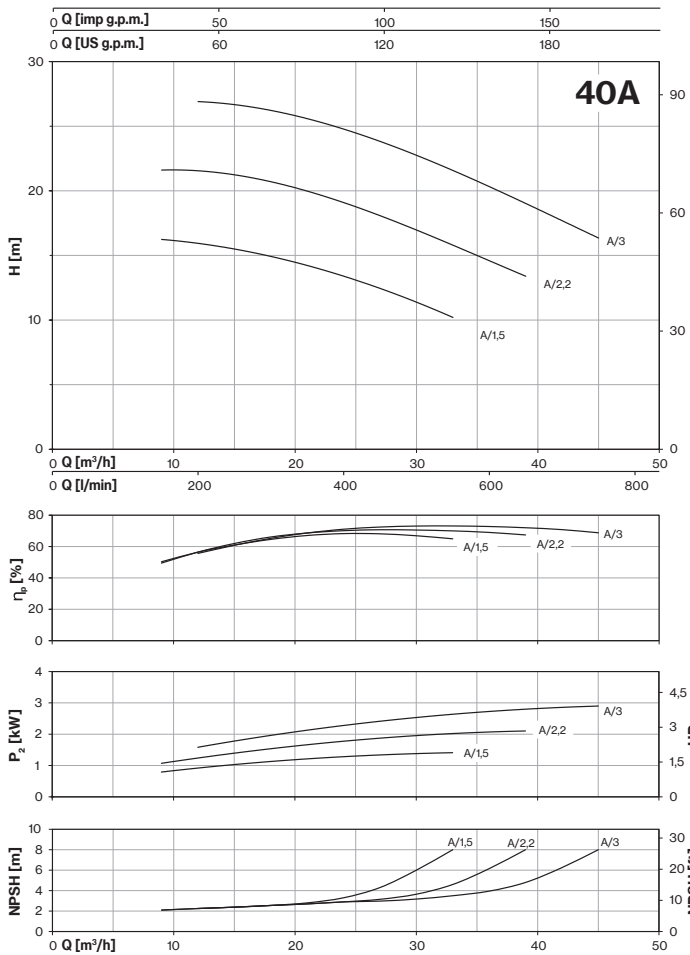
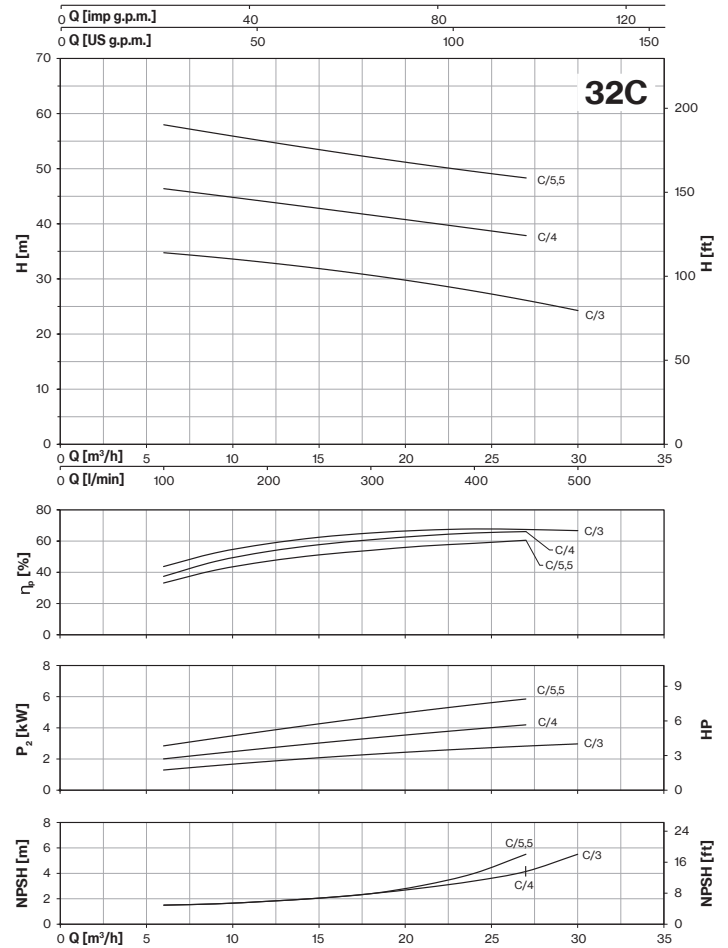
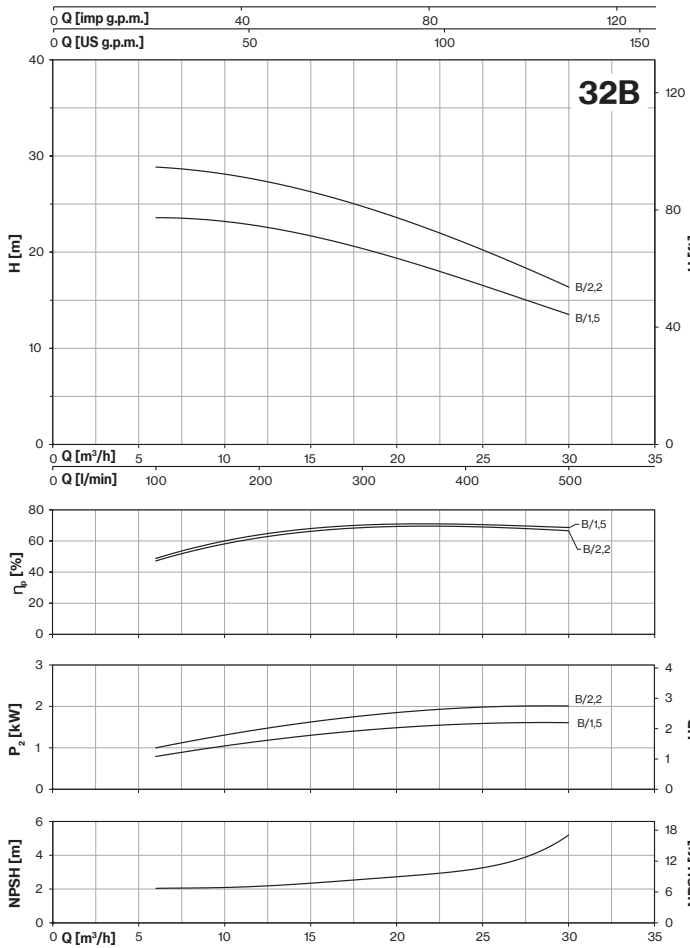
### Motor

<b>2 poles induction motor</b>	3~ 230/400V - 50Hz P ≤ 4kW
	3~ 400/690V - 50Hz P > 4kW
	1~ 230V-50Hz
<b>Insulation class</b>	F
<b>Protection degree</b>	IPX5
<b>Motor efficiency</b>	IE3

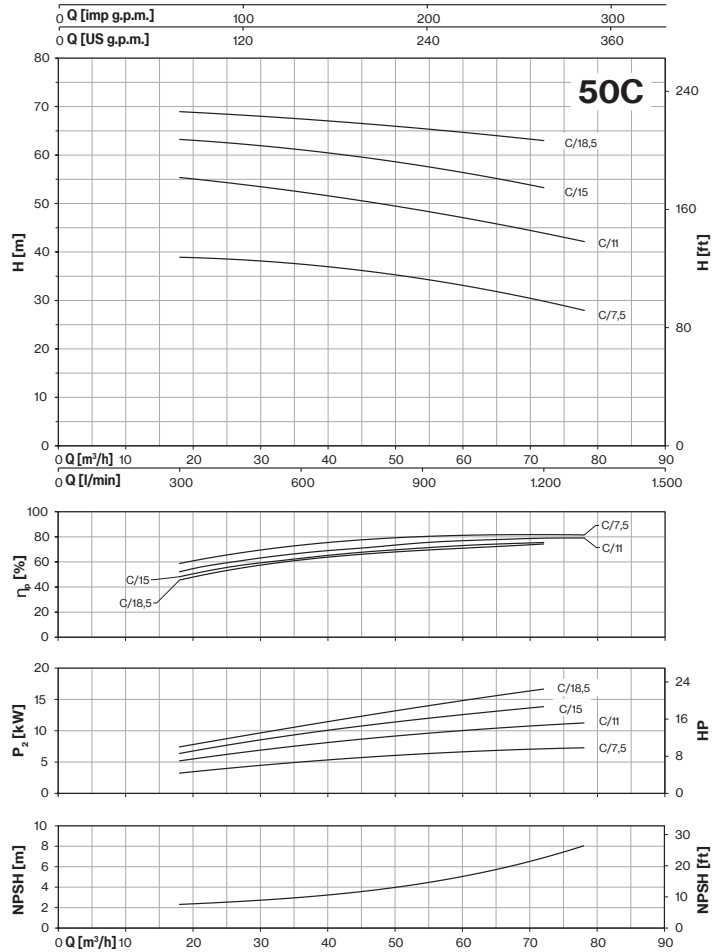
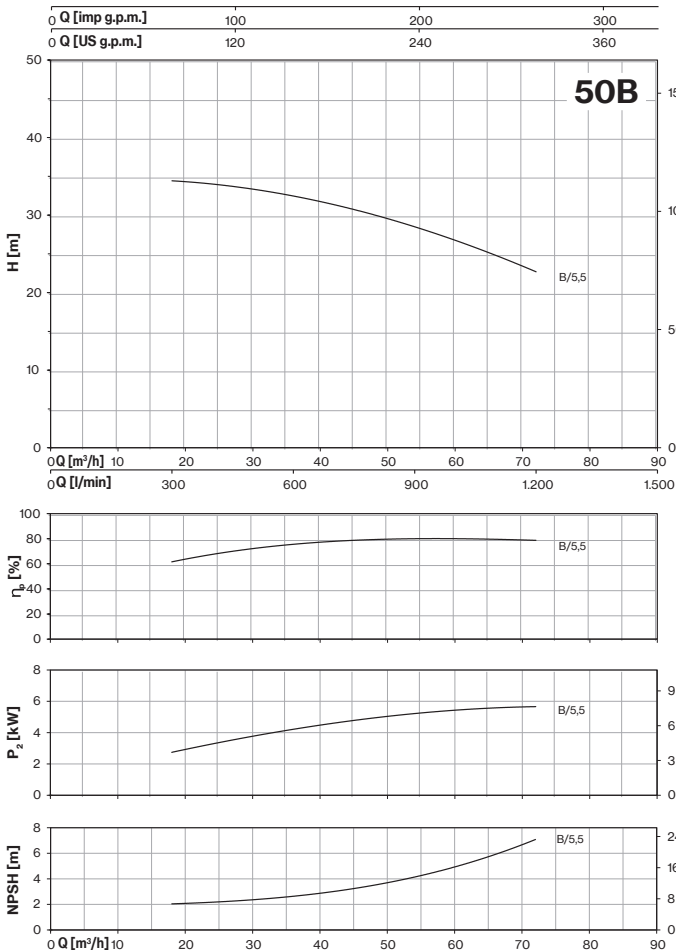
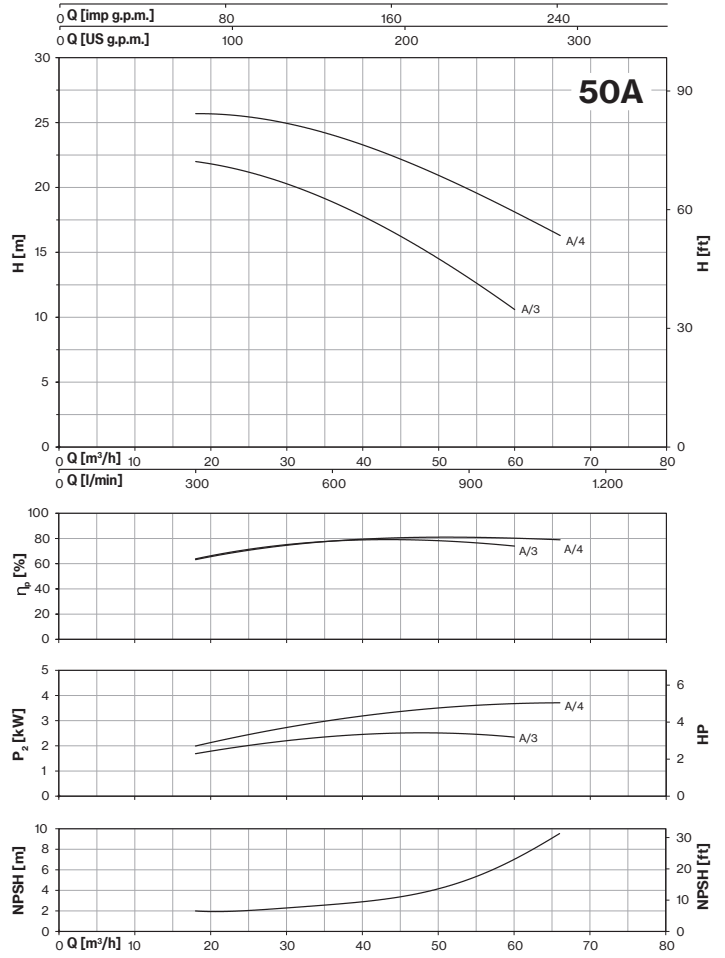
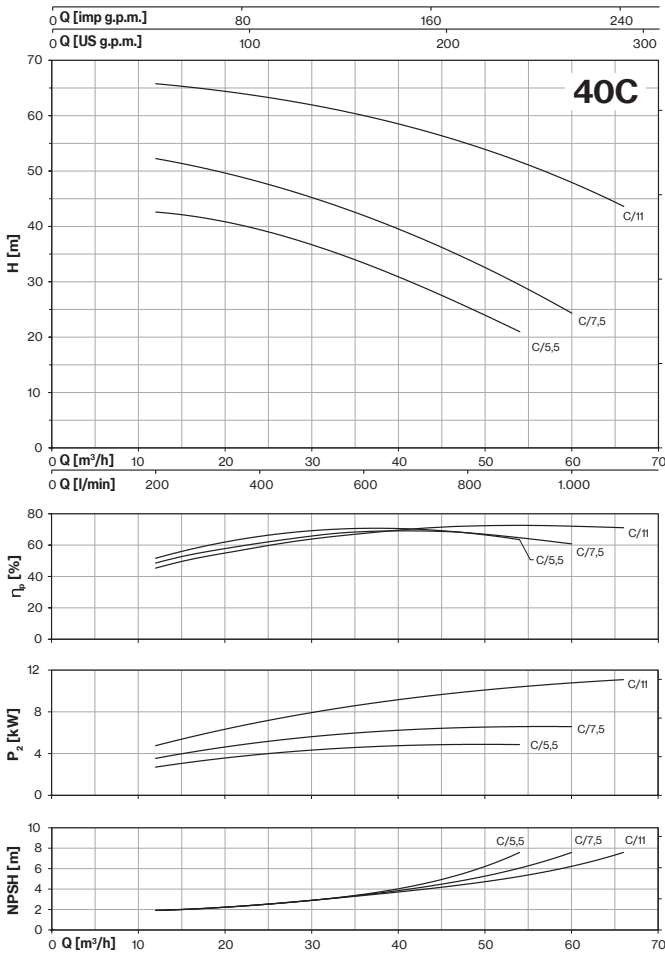
**CMS 32 B / 1,5**



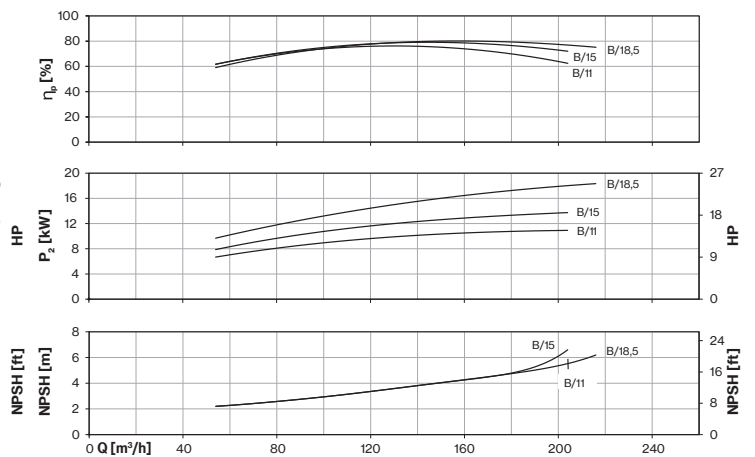
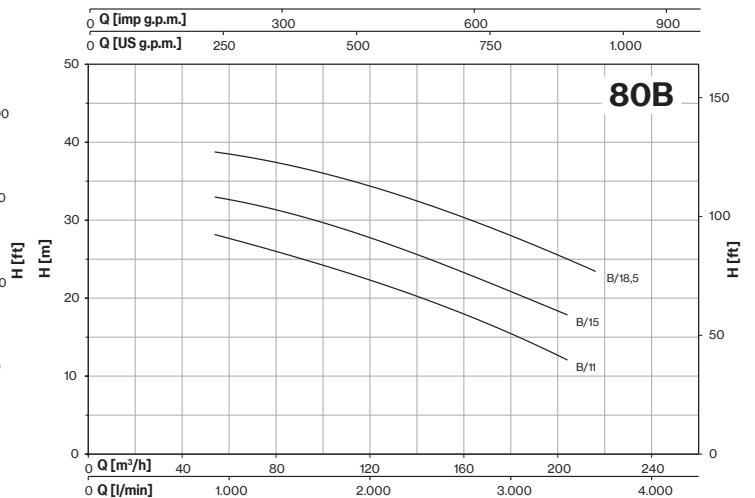
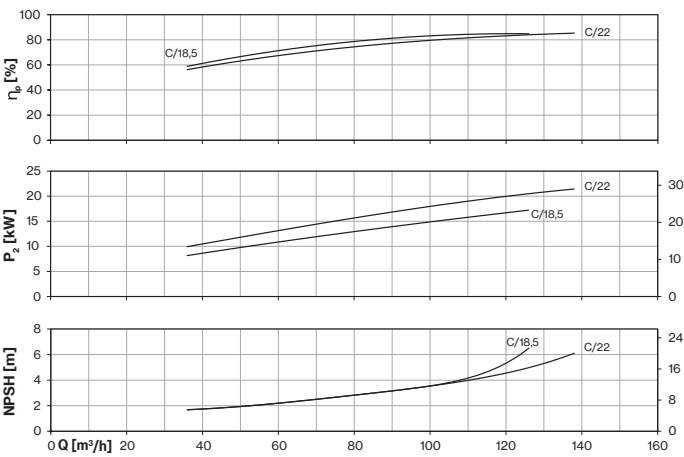
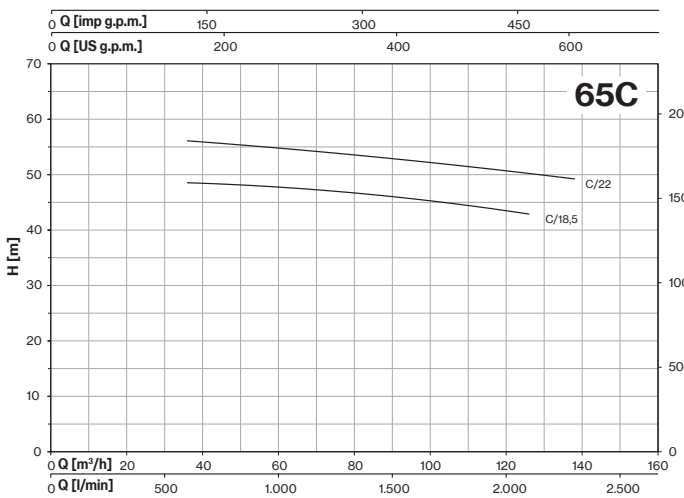
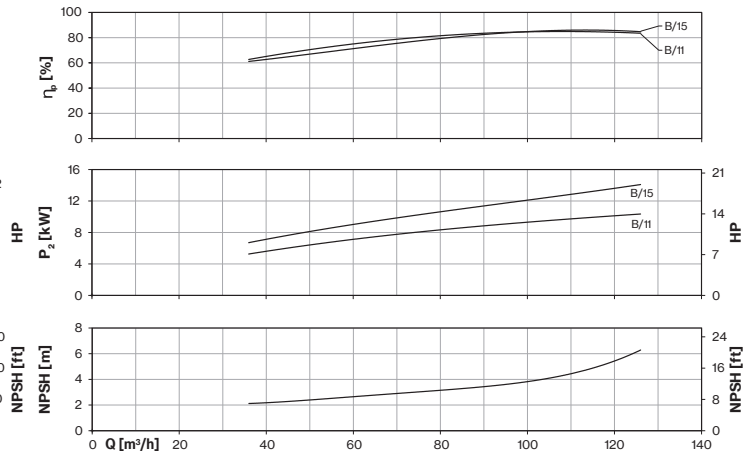
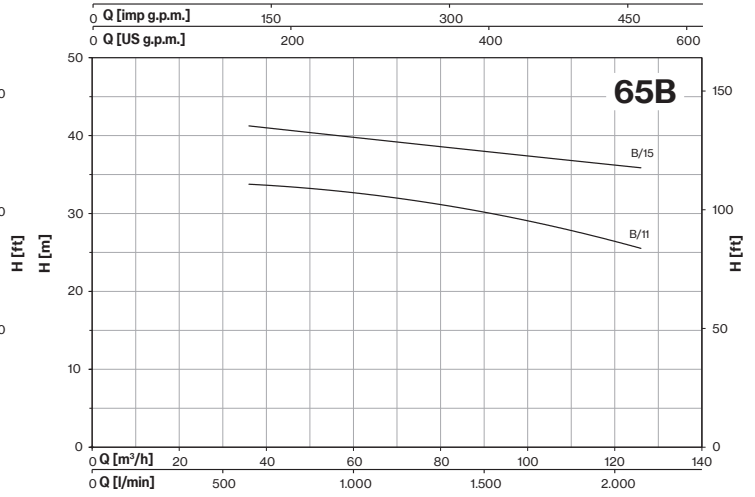
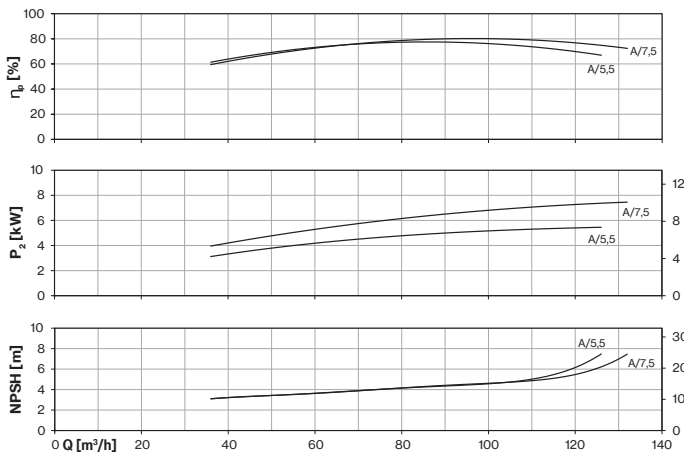
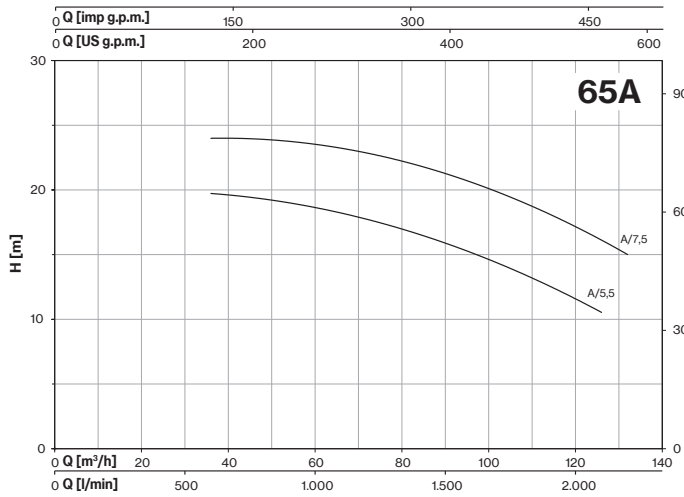




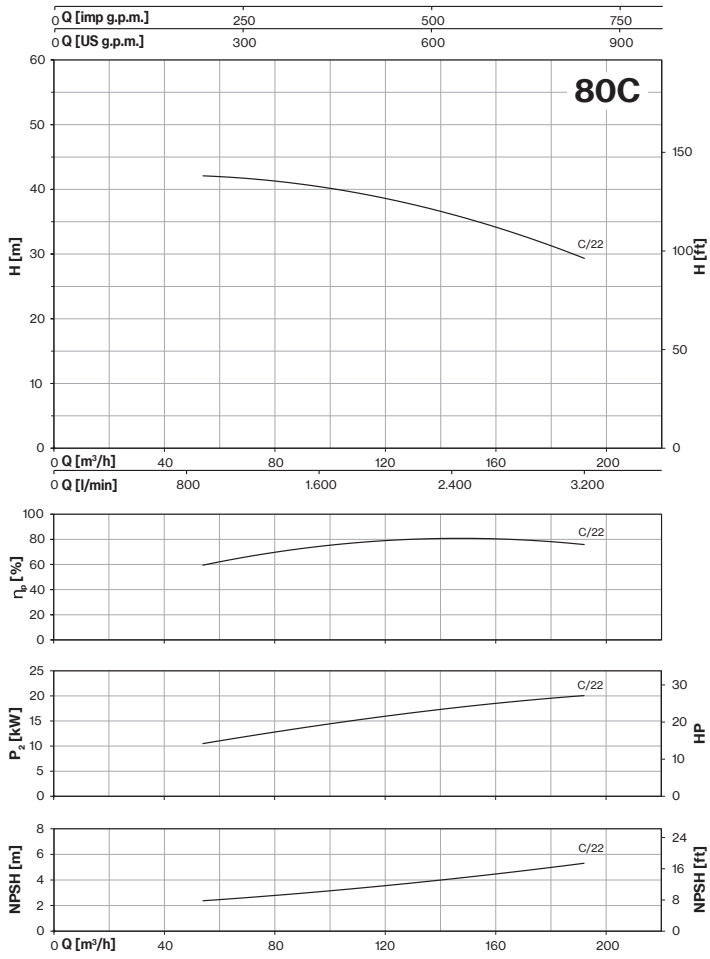
# CMS

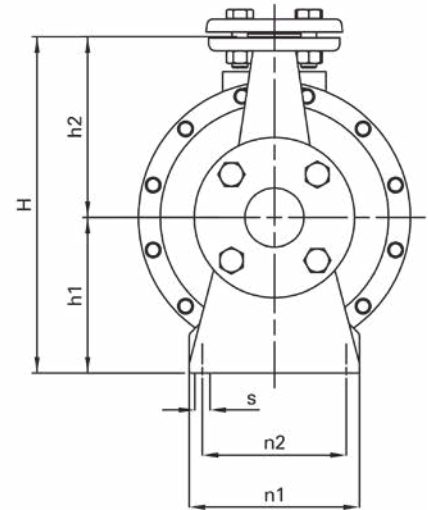
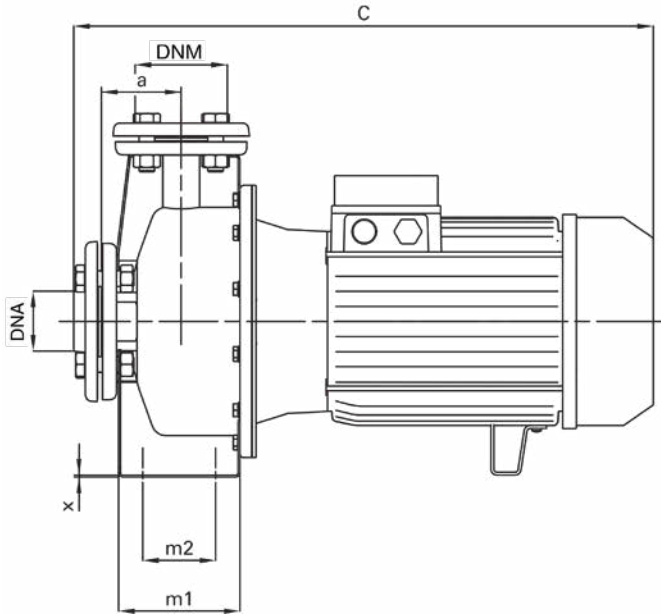







# CMS




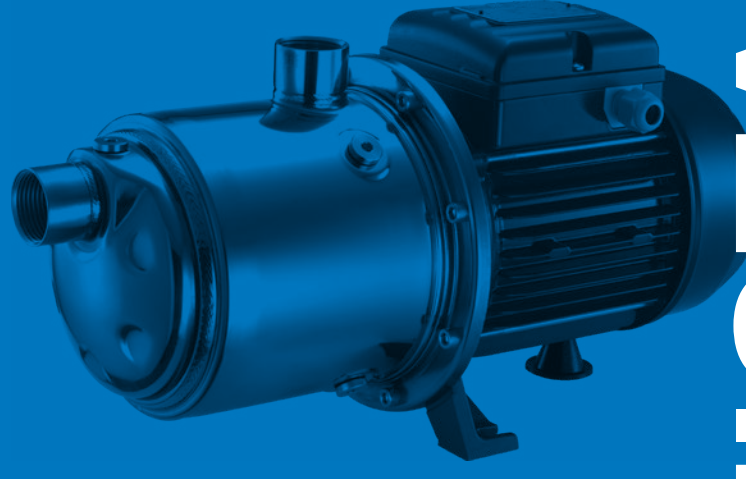
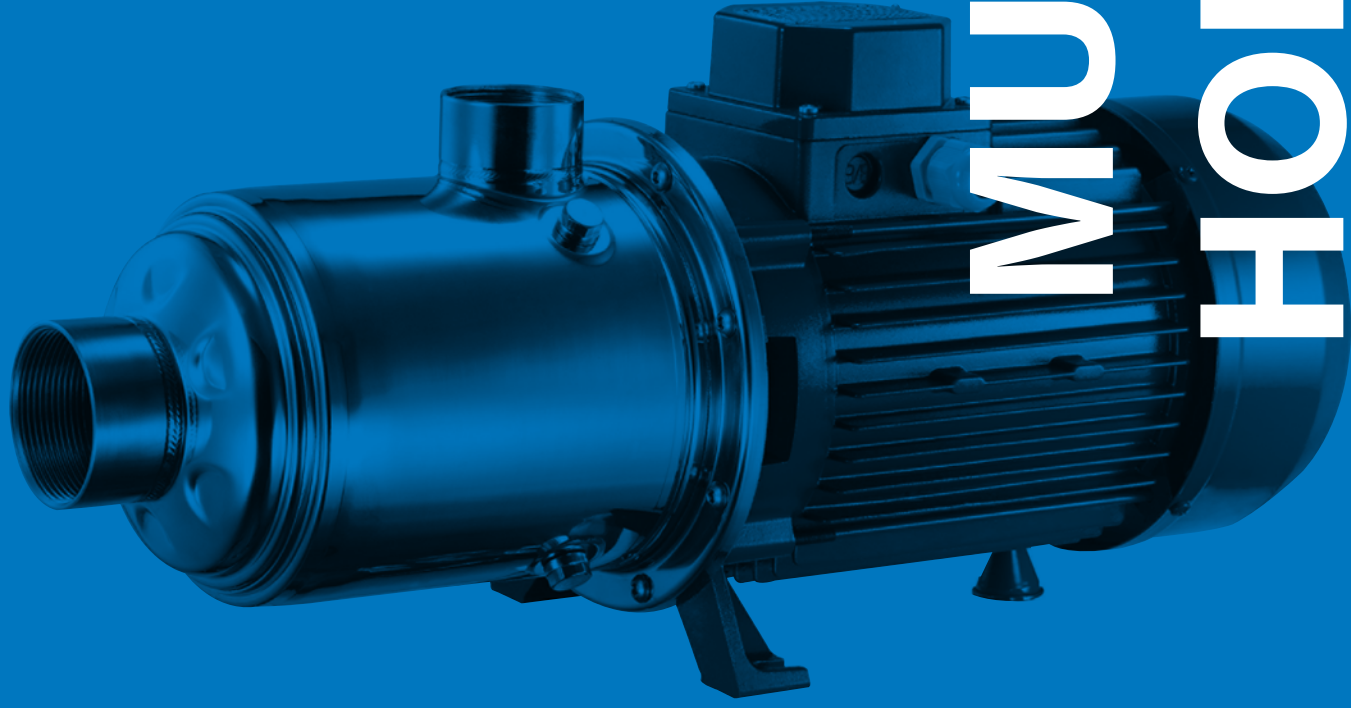


TYPE	DIMENSIONS (mm)																		
	a	h1	h2	m1	m2	n1	n2	x	s	C	H	DNA	DNM	I		L	M		
32B/1,5	82	132	144	125	75	175	148	2	10	530	276	50	32	555	255	345	29		
32B/1,5 1-	82	132	144	125	75	175	148	2	10	530	276			555	255	345	30,5		
32B/2,2	82	132	144	125	75	175	148	2	10	530	276			555	255	345	31,5		
32B/2,2 1-	82	132	144	125	75	175	148	2	10	530	276			555	255	345	35		
32C/3	82	160	186	125	75	175	148	2	10	535	346			625	310	430	37		
32C/4	82	160	186	125	75	175	148	2	10	555	346			625	310	430	44,5		
32C/4 1-	82	160	186	125	75	175	148	2	10	600	346			625	310	430	53		
32C/5,5	82	160	186	125	75	175	148	2	10	600	346			625	310	430	53,5		
40A/1,5	82	132	142	125	75	175	148	2	10	535	274			65	40	555	255	345	29,5
40A/1,5 1-	82	132	142	125	75	175	148	2	10	535	274	555	255			345	31		
40A/2,2	82	132	142	125	75	175	148	2	10	535	274	555	255			345	32		
40A/2,2 1-	82	132	142	125	75	175	148	2	10	535	274	555	255			345	35,5		
40A/3	82	132	142	125	75	175	148	2	10	535	274	555	255			345	35,5		
40B/4	82	132	142	125	75	175	148	2	10	550	274	555	255			345	43,5		
40B/4 1-	82	132	142	125	75	175	148	2	10	595	274	555	255			345	51,5		
40C/5,5	100	160	180	140	93	175	148	2	10	615	340	625	310			430	54		
40C/7,5	100	160	180	140	93	175	148	2	10	615	340	625	310			430	60		
40C/11	100	160	180	140	93	175	148	2	10	645	340	670	350	525	83,5				
50A/3	86	132	166	125	75	175	148	2	10	535	298	65	50	555	255	345	36		
50A/4	86	132	166	125	75	175	148	2	10	555	298			555	255	345	43,5		
50A/4 1-	86	132	166	125	75	175	148	2	10	600	298			555	255	345	52		
50B/5,5	100	160	180	140	93	175	148	2	10	615	340			625	310	430	54		
50C/7,5	100	160	180	140	93	175	148	2	10	615	340			625	310	430	60		
50C/11	100	160	180	140	93	175	148	2	10	645	340			670	350	525	83,5		
50C/15	100	160	180	140	93	175	148	2	10	725	340			820	360	525	115		
50C/18,5	100	160	180	140	93	175	148	2	10	770	340			820	360	525	129		
65A/5,5	100	160	180	140	93	175	148	2	10	615	340			80	65	625	310	430	53,5
65A/7,5	100	160	180	140	93	175	148	2	10	615	340	625	310			430	59,5		
65B/11	100	160	200	140	93	175	148	2	10	645	360	670	350			525	85		
65B/15	100	160	200	140	93	175	148	2	10	725	360	670	350			525	116		
65C/18,5	100	160	225	140	93	175	148	2	10	770	385	670	350			525	130,5		
65C/22	100	160	225	140	93	175	148	2	10	770	340	670	350			525	141		
80B/11	125	160	225	167	93	175	148	2	10	685	385	100	80			670	350	525	87
80B/15	125	160	225	167	93	175	148	2	10	765	385					670	350	525	118
80B/18,5	125	160	225	167	93	175	148	2	10	810	385					870	400	570	132,5
80C/22	125	160	250	167	93	175	148	2	10	810	410			870	400	570	143		

# CMS Serie-Mechanical seal and bearings

MECHANICAL SEAL	PUMP MODEL	SHAFT Ø		STANDARD MATERIAL	OPTIONAL			
	CMS32B/1,5 - CMS32B/2,2 - CMS32C/3 - CMS40A/1,5 - CMS40A/2,2 - CMS40A/3 - CMS50A/3	20mm	<b>Rotating face</b> <b>Stationary face</b> <b>Elastomer</b>	Ceramic Graphite NBR	Ceramic Graphite EPDM	- - -	SiC SiC EPDM	SiC SiC FKM
	CMS32C/4 - CMS32C/5,5 - CMS40B/4 - CMS40C/5,5 - CMS40C/7,5 - CMS40C/11 - CMS50A/4 - CMS50B/5,5 - CMS50C/7,5 - CMS50C/11 - CMS50C/15 - CMS50C/18,5 - CMS65A/5,5 - CMS65A/7,5 - CMS65B/11 - CMS65B/15 - CMS65C/18,5 - CMS65C/22 - CMS80B/11 - CMS80B/15 - CMS80B/18,5 - CMS80C/22	28mm	<b>Rotating face</b> <b>Stationary face</b> <b>Elastomer</b>	Ceramic Graphite NBR	Ceramic Graphite EPDM	Ceramic Graphite FKM	SiC SiC EPDM	SiC SiC FKM

BEARINGS	PUMP MODEL	TYPE	
	3-CMS32C/4 - 3-CMS40B/4 - 3-CMS50A/4	6204-ZZ	6206-ZZ C3
	CMS32B/1,5 - CMS32B/2,2 - CMS32C/3 - CMS40A/1,5 - CMS40A/2,2 - CMS40A/3 - CMS50A/3	6205-ZZ C3	6203-ZZ
	1-CMS32C/4m - CMS32C/5,5 - 1-CMS40B/4m - CMS40C/5,5 - CMS40C/7,5 - 1-CMS50A/4m - CMS50B/5,5 - CMS50C/7,5 - CMS65A/5,5 - CMS65A/7,5	6206-ZZ C3	6306-ZZ C3
	CMS40C/11 - CMS50C/11 - CMS65B/11 - CMS80B/11	6206-ZZ C3	6308-ZZ C3
	CMS50C/15 - CMS50C/18,5 - CMS65B/15 - CMS65C/18,5 - CMS65C/22 - CMS80B/15 - CMS80B/18,5 - CMS80C/22	6308-ZZ C3	6309-ZZ C3



# MULTISTAGE HORIZONTAL

# MULTISTAGE HORIZONTAL PUMPS

ULTRA 3/ULTRA 3S



ULTRA 5/ULTRA 5S



ULTRA 7/ULTRA 7S



ULTRA 9/ULTRA 9S

ULTRA 18/ULTRA 18S

Range of horizontal multistage pumps, not self-priming, with axial suction and radial delivery threads, pump body in AISI 304 and hydraulic part in Noryl (ULTRA) and in AISI 304 (ULTRA S).

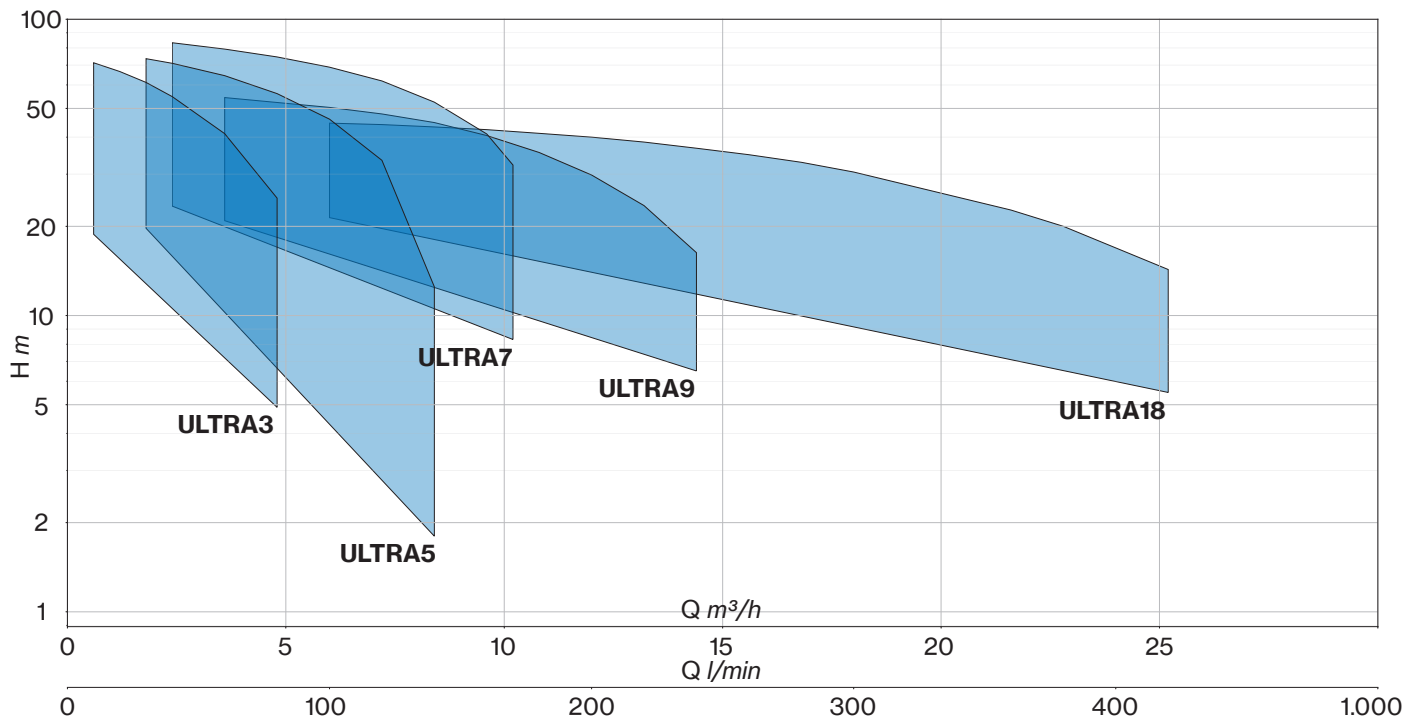
## Applications:

- Handling of uncharged liquids
- For pressurization systems
- Irrigation
- Drinking water treatment
- Food industry
- Heating and conditioning
- Industrial washing systems



# MULTISTAGE

## Horizontal Pumps



# ULTRA

## Multistage Horizontal

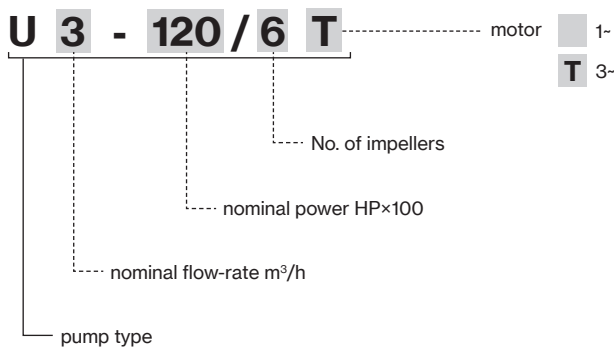
Stainless steel multistage horizontal pumps. Pumping of clean non-loaded fluids, pressurizing system, irrigation, drinking and glycol water, water treatment, heating and air conditioning, washing system.

### Construction features

<b>Pump body, mechanical seal housing</b>	stainless steel AISI 304
<b>Motor bracket</b>	aluminum
<b>Impeller, diffusers</b>	Noryl®
<b>Mechanical seal</b>	ceramic-graphite-EPDM ≤ 6 impellers graphite-silicon carbide-EPDM ≥ 7 impellers
<b>Motor shaft</b>	stainless steel AISI 303
<b>Liquid temperature</b>	-5 ÷ +35 °C
<b>Operating pressure</b>	max 8,5 bar

### Motor

	3~ 230/400V - 50Hz
<b>2 poles induction motor</b>	1- 230V - 50Hz (with thermal protection up to 1,85 kW)
<b>Insulation class</b>	F
<b>Protection degree</b>	IPX4



ULTRA 3



ULTRA 5



ULTRA 7



ULTRA 9



ULTRA 18





TYPE		P2		P1 (kW)		AMPERE		Q (m³/h - l/min)						
1~	3~					1~	3~	0	0,6	1,2	1,8	2,4	3,6	4,8
						1x230 V 50 Hz	3x400 V 50 Hz	0	10	20	30	40	60	80
		HP	kW	1~	3~	H (m)								
U 3-50/2	U 3-50/2 T	0,5	0,37	0,45	0,46	2	0,9	20,2	18,8	17,3	15,3	13,7	9,5	4,9
U 3-70/3	U 3-70/3 T	0,7	0,51	0,65	0,63	2,9	1,2	30,0	27,9	25,4	23,0	20,3	14,0	6,7
U 3-90/4	U 3-90/4 T	0,9	0,66	0,9	0,88	4,0	1,8	40,8	38,3	35,1	31,8	27,9	19,8	10,4
U 3-100/5	U 3-100/5 T	1	0,75	1,06	1,01	4,8	1,9	52,2	48,9	45,1	40,8	36,0	25,4	14,0
U 3-120/6	U 3-120/6 T	1,2	0,9	1,23	1,23	5,6	2,6	62,8	58,7	54,5	49,6	43,9	32,1	18,3
U 3-150/7	U 3-150/7 T	1,5	1,1	1,54	1,45	7,1	2,9	75,5	71,3	66,6	61,2	54,8	41,1	24,9

TYPE		P2		P1 (kW)		AMPERE		Q (m³/h - l/min)							
1~	3~					1~	3~	0	1,8	2,4	3,6	4,8	6	7,2	8,4
						1x230 V 50 Hz	3x400 V 50 Hz	0	30	40	60	80	100	120	140
		HP	kW	1~	3~	H (m)									
U 5-70/2	U 5-70/2 T	0,7	0,51	0,61	0,58	2,7	1,1	22,0	19,7	18,7	16,6	14,0	10,8	6,8	1,8
U 5-80/3	U 5-80/3 T	0,8	0,6	0,86	0,79	3,9	1,5	33,4	30,3	29,0	26,0	22,5	17,6	12,0	3,9
U 5-120/4	U 5-120/4 T	1,2	0,9	1,13	1,13	5,2	2,5	45,3	41,3	39,6	35,6	30,8	24,9	17,6	6,4
U 5-150/5	U 5-150/5 T	1,5	1,1	1,47	1,39	6,8	2,8	56,8	53,0	51,0	46,1	40,1	33,3	24,8	11,5
U 5-180/6	U 5-180/6 T	1,8	1,3	1,7	1,62	7,7	3,0	69,3	64,4	62,0	55,6	48,2	39,6	28,8	12,0
U 5-200/7	U 5-200/7 T	2	1,5	2,0	1,86	9,0	3,4	80,3	73,6	71,0	64,5	56,1	46,0	33,4	12,5

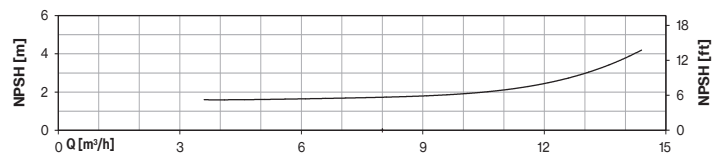
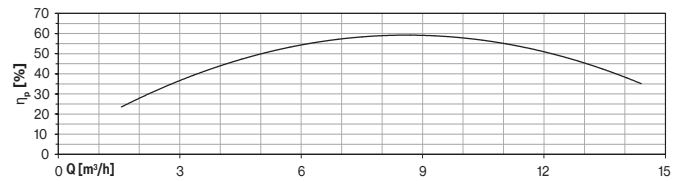
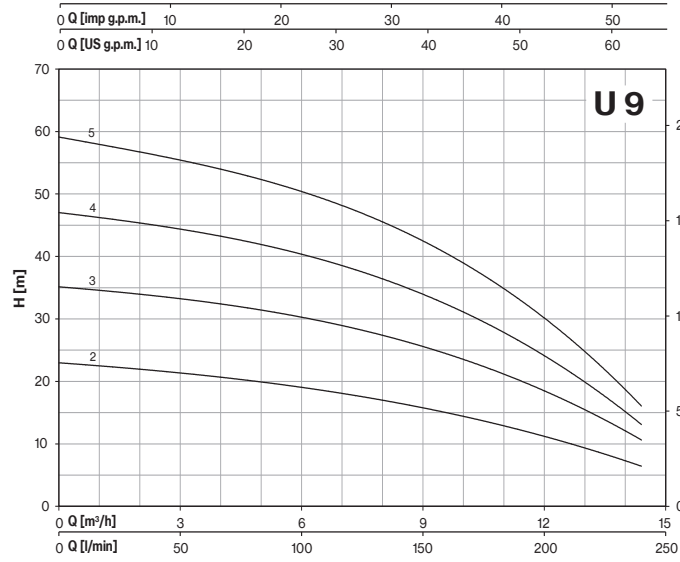
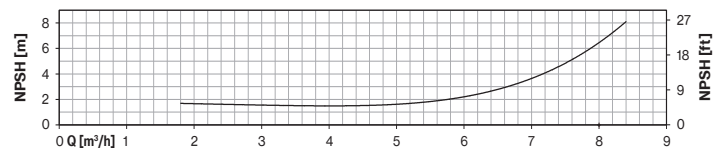
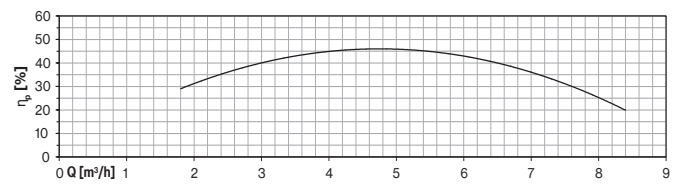
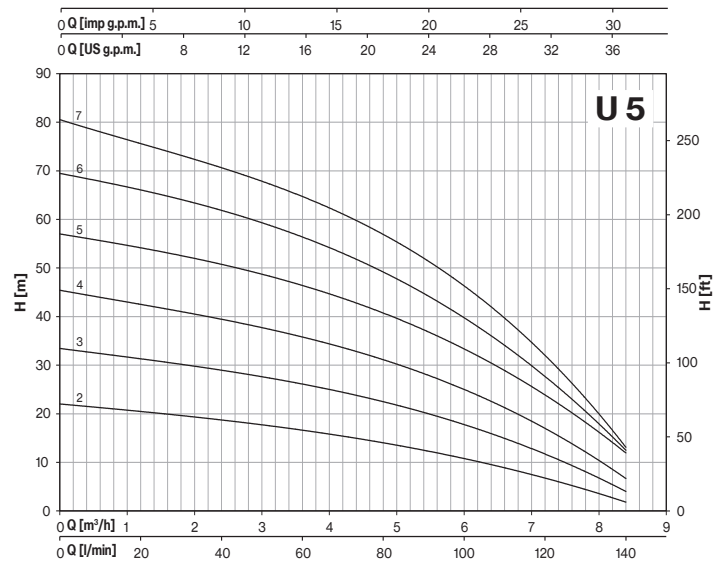
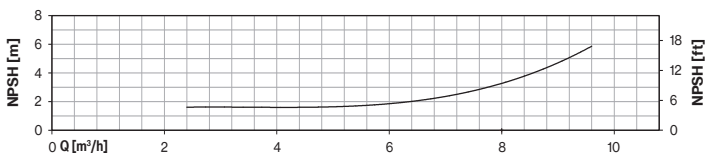
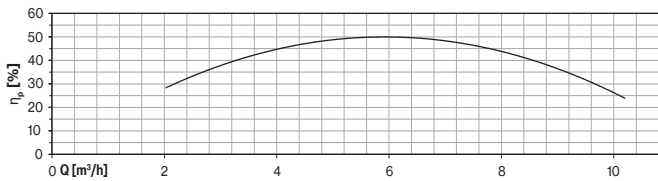
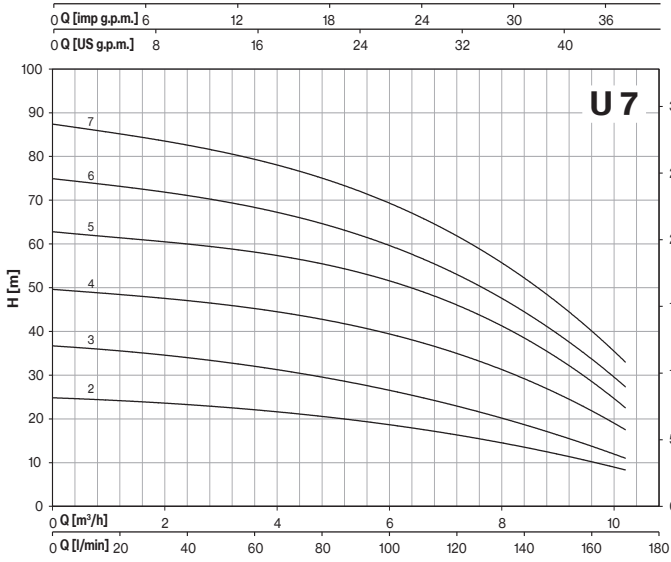
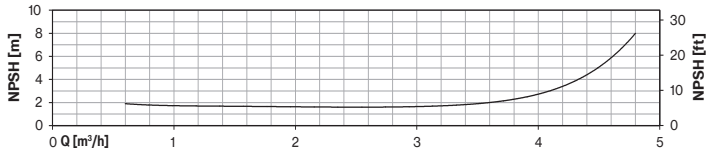
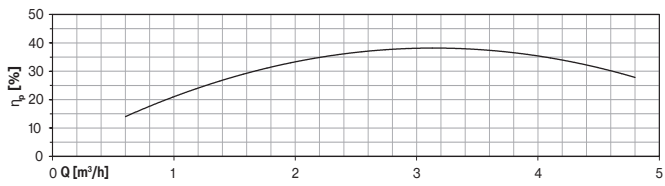
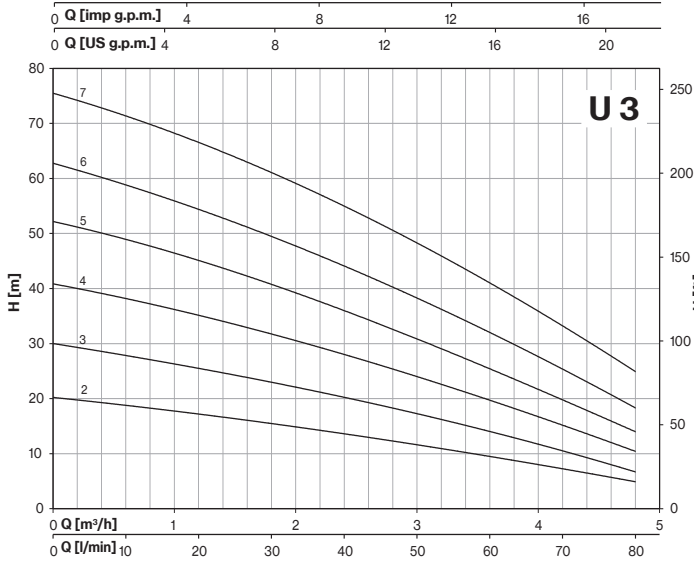
TYPE		P2		P1 (kW)		AMPERE		Q (m³/h - l/min)									
1~	3~					1~	3~	0	2,4	3,6	4,8	6	7,2	8,4	9,6	10,2	
						1x230 V 50 Hz	3x400 V 50 Hz	0	40	60	80	100	120	140	160	170	
		HP	kW	1~	3~	H (m)											
U 7-100/2	U 7-100/2 T	1	0,75	0,97	0,9	4,4	1,7	24,8	23,4	22,0	20,5	18,7	16,3	13,6	10,2	8,3	
U 7-120/3	U 7-120/3 T	1,2	0,9	1,32	1,3	5,9	2,6	36,7	34,0	32,0	29,6	26,5	23,0	18,6	13,8	11,0	
U 7-180/4	U 7-180/4 T	1,8	1,3	1,83	1,71	8,3	3,2	49,5	47,4	45,3	42,5	39,2	34,8	29,4	22,6	16,9	
U 7-250/5	U 7-250/5 T	2,5	1,85	2,39	2,15	10,9	4,2	62,6	60,6	58,2	55,1	51,1	45,8	39,0	29,8	21,5	
U 7-300/6	U 7-300/6 T	3	2,2	2,68	2,63	12,2	5,0	74,8	71,5	68,3	64,5	59,3	53,0	44,6	34,5	26,7	
-	U 7-350/7 T	3,5	2,57	-	2,8	-	5,1	89,0	88,0	85,8	81,2	74,5	66,3	56,2			

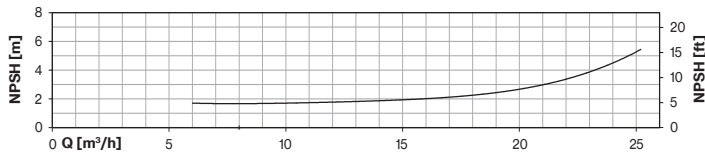
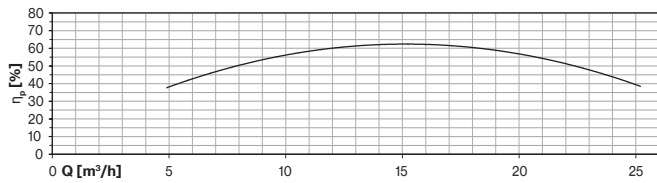
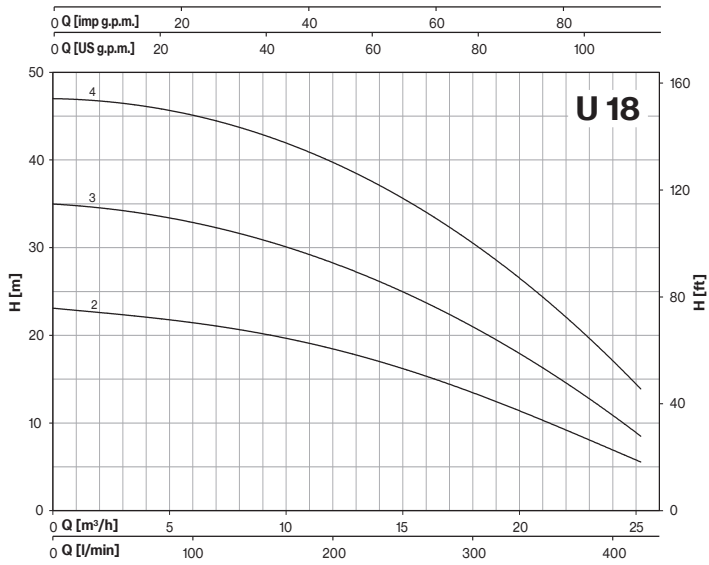
TYPE		P2		P1 (kW)		AMPERE		Q (m³/h - l/min)													
1~	3~					1~	3~	0	3,6	4,8	6	7,2	8,4	9,6	10,8	12	13,2	14,4			
						1x230 V 50 Hz	3x400 V 50 Hz	0	60	80	100	120	140	160	180	200	220	240			
		HP	kW	1~	3~	H (m)															
U 9-100/2	U 9-100/2 T	1	0,75	0,98	0,92	4,4	1,7	23,0	20,9	20,0	19,1	17,9	16,6	15,0	13,2	11,1	8,9	6,5			
U 9-150/3	U 9-150/3 T	1,5	1,1	1,43	1,38	6,7	2,8	35,2	32,6	31,5	30,3	28,8	26,9	24,5	21,5	18,3	14,7	10,8			
U 9-200/4	U 9-200/4 T	2	1,5	1,88	1,77	8,4	3,3	47,1	43,5	42,0	40,5	38,3	35,7	32,4	28,4	23,8	18,9	13,3			
U 9-250/5	U 9-250/5 T	2,5	1,85	2,32	2,18	10,6	4,3	59,2	54,4	52,4	50,4	47,9	44,8	40,5	35,5	29,8	23,5	16,3			

TYPE		P2		P1 (kW)	A		Q (m³/h - l/min)									
3~	3~				0	6	7,2	9,6	12	14,4	16,8	19,2	21,6	24	25,2	
					0	100	120	160	200	240	280	320	360	400	420	
		HP	kW	3~	3x400 V 50 Hz	H (m)										
U 18-180/2 T		1,8	1,3	1,52	3	23,1	21,4	21,0	19,9	18,4	16,7	14,7	12,1	9,7	7,0	5,5
U 18-250/3 T		2,5	1,85	2,19	4,3	35,0	32,7	32,2	30,5	28,3	25,5	22,8	19,3	15,1	10,8	8,7
U 18-400/4 T		4	3	3,0	5,8	47,1	45,4	45,2	44,3	42,6	40,0	36,0	30,6	24,6	17,8	



# ULTRA

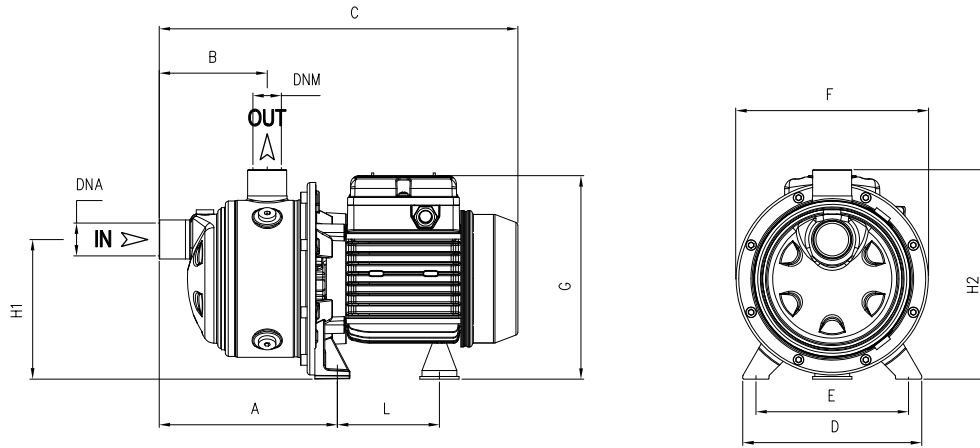




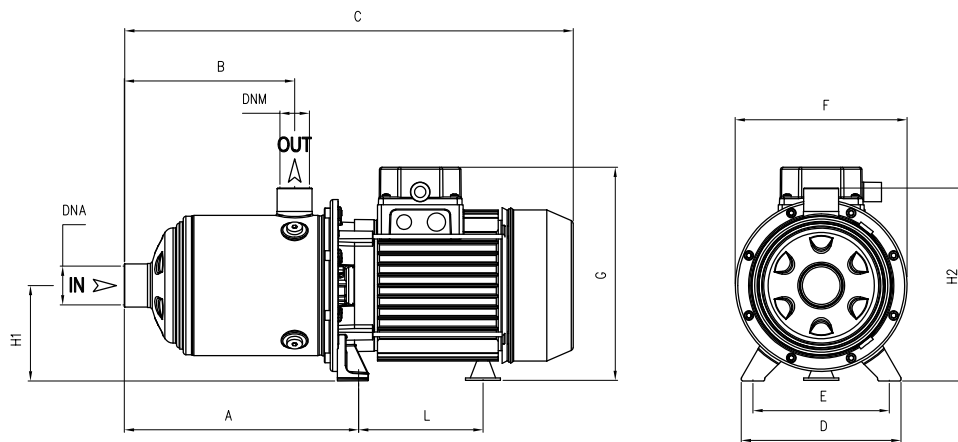
LOTS				
TYPE	TRUCK		CONTAINER	
	PALLET (cm)	N° pumps	PALLET (cm)	N° pumps
U 3-50/2-90/4	80×120×150	84	80×120×175	96
U 3-100/5-120/6	85×110×160	70	85×110×185	80
U 3-150/7	80×120×150	42	80×120×175	49
U 5-70/2	80×120×150	84	80×120×175	96
U 5-80/3-120/4	85×110×160	70	85×110×185	80
U 5-150/5	90×110×150	54	90×110×170	63
U 5-180/6-200/7	80×120×150	42	80×120×175	49
U 7-100/2-120/3	85×110×160	70	85×110×185	80
U 7-180/4-250/5	90×110×150	54	90×110×170	63
U 7-300/6 T	80×120×150	42	80×120×175	49
U 7-300/6 M-350/7 T	80×120×145	35	80×120×170	42
U 9-100/2	85×110×160	70	85×110×185	80
U 9-150/3-200/4	90×110×150	54	90×110×170	63
U 9-250/5	80×120×150	42	80×120×175	49
U 18-180/2-250/3	90×110×150	54	90×110×170	63
U 18-400/4	80×120×145	35	80×120×170	42



# ULTRA



TYPE	DIMENSIONS (mm)												Kg	
	A	B	C	D	E	F	G	L	H1	H2	DNA	DNM		
U 3-50/2	166,8	103	333	164	140	178	190	93,7	128	192	1" G	1" G	6,5	T 6
U 3-70/3	166,8	103	333	164	140	178	190	93,7	128	192			7	
U 3-90/4	190,8	127	357	164	140	178	190	93,7	128	192			8,5	
U 3-100/5	214,8	151	404	164	140	178	203	104,7	128	192			10,5	
U 3-120/6	238,8	175	428	164	140	178	203	104,7	128	192			11,5	
U 3-150/7	262,8	199	483	164	140	201	211	128,2	134	198			14,5	T 14
U 5-70/2	166,8	103	333	164	140	178	195	93,7	128	192			7	
U 5-80/3	166,8	103	357	164	140	178	203	93,7	128	192			9,5	T 10,5
U 5-120/4	190,8	127	380	164	140	178	203	104,7	128	192			11	
U 5-150/5	214,8	151	436	164	140	201	211	128,2	134	198			13,5	
U 5-180/6	238,8	175	459	164	140	201	211	128,2	134	198			15	T 14
U 5-200/7	262,8	199	483	164	140	201	211	128,2	134	198			15,5	T 15



TYPE	DIMENSIONS (mm)												Kg			
	A	B	C	D	E	F	G	L	H1	H2	DNA	DNM				
U 7-100/2	166,8	103	356	164	140	178	203	104,7	92	192	1" 1/4 G	1" G	10			
U 7-120/3	166,8	103	356	164	140	178	203	104,7	92	192			10,5			
U 7-180/4	190,8	127	441	164	140	201	211	128,2	98	198			14	T 13		
U 7-250/5	214,8	151	436	164	140	201	211	128,2	98	198			16	T 15		
U 7-300/6	238,8	175	503 T 459	164	140	201	229	148,2 T 128,2	103 T 98	203 T 198			18	T 16		
U 7-350/7	262,8	199	567	164	140	201	229	148,2	103	203			21,5			
U 9-100/2	185,8	118	375	164	140	178	203	104,7	98	192			1" 1/2 G	1" 1/4 G	10	
U 9-150/3	185,8	118	375	164	140	201	211	128,2	98	198					13	
U 9-200/4	215,8	148	436	164	140	201	211	128,2	98	198					15	T 14
U 9-250/5	245,8	178	464	164	140	201	211	128,2	98	198					16	T 15,5
U 18-180/2 T	201	141	432	164	140	201	211	128,2	98	198	2" G	1" 1/2 G	13			
U 18-250/3 T	238,5	141	432	164	140	201	211	128,2	98	198			15			
U 18-400/4 T	276	178,5	554	164	140	201	229	148,2	103	203			24			



# ULTRA S

## Multistage Horizontal

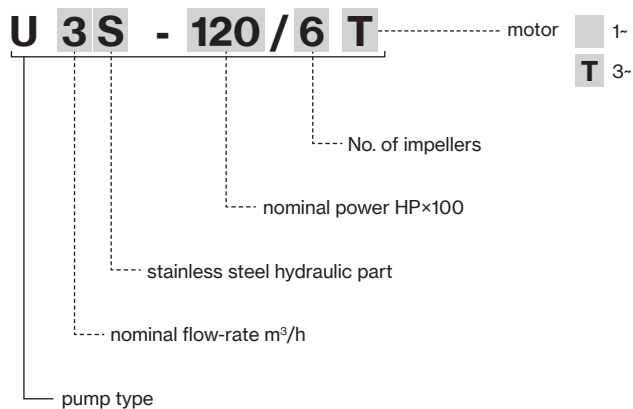
Stainless steel multistage horizontal pumps. Pumping of clean non-loaded fluids, pressurizing system, irrigation, drinking and glycol water, water treatment, heating and air conditioning, washing system.

### Construction features

<b>Pump body, mechanical seal housing</b>	stainless steel AISI 304
<b>Motor bracket</b>	aluminum
<b>Impeller, diffusers</b>	stainless steel AISI 304
<b>Mechanical seal</b>	ceramic-graphite-EPDM ≤ 6 impellers graphite-silicon carbide-EPDM ≥ 7 impellers
<b>Motor shaft</b>	stainless steel AISI 303
<b>Liquid temperature</b>	-15 ÷ +110 °C
<b>Operating pressure</b>	max 8,5 bar

### Motor

	3~ 230/400V - 50Hz
<b>2 poles induction motor</b>	1- 230V - 50Hz (with thermal protection up to 1,85 kW)
<b>Insulation class</b>	F
<b>Protection degree</b>	IPX4



ULTRA 3S



ULTRA 5S



ULTRA 7S



ULTRA 9S



ULTRA 18S



# ULTRA S

TYPE		P2		P1 (kW)		AMPERE		Q (m³/h - l/min)						
1~	3~					1~	3~	0	0,6	1,2	1,8	2,4	3,6	4,8
								0	10	20	30	40	60	80
		HP	kW	1~	3~	1x230 V 50 Hz	3x400 V 50 Hz	H (m)						
U 3S-50/2	U 3S-50/2 T	0,5	0,37	0,41	0,41	1,8	0,9	21,7	20,9	19,3	17,8	15,9	11,4	5,8
U 3S-70/3	U 3S-70/3 T	0,7	0,51	0,61	0,58	2,7	1,1	32,7	31,2	29,2	26,7	23,9	17,2	9,0
U 3S-90/4	U 3S-90/4 T	0,9	0,66	0,83	0,8	3,6	1,7	44,3	42,8	40,0	36,4	33,2	24,5	13,9
U 3S-100/5	U 3S-100/5 T	1	0,75	0,99	0,92	4,4	1,7	55,3	53,5	50,3	46,5	42,1	31,6	17,7
U 3S-120/6	U 3S-120/6 T	1,2	0,9	1,11	1,11	5,1	2,5	66,6	64,4	60,8	56,0	50,7	38,1	22,4
U 3S-150/7	U 3S-150/7 T	1,5	1,1	1,38	1,31	6,4	2,7	80,1	77,7	74,2	69,1	63,3	48,8	30,0

TYPE		P2		P1 (kW)		AMPERE		Q (m³/h - l/min)							
1~	3~					1~	3~	0	1,8	2,4	3,6	4,8	6	7,2	8,4
								0	30	40	60	80	100	120	140
		HP	kW	1~	3~	1x230 V 50 Hz	3x400 V 50 Hz	H (m)							
U 5S-70/2	U 5S-70/2 T	0,7	0,51	0,6	0,58	2,6	1,1	22,3	20,4	19,5	17,5	14,8	11,7	7,8	2,8
U 5S-80/3	U 5S-80/3 T	0,8	0,6	0,8	0,75	3,8	1,4	34,0	31,1	29,9	27,0	23,6	19,1	13,1	6,0
U 5S-120/4	U 5S-120/4 T	1,2	0,9	1,09	1,08	4,9	2,4	45,5	42,2	40,7	37,2	32,9	27,4	19,8	10,4
U 5S-150/5	U 5S-150/5 T	1,5	1,1	1,39	1,31	6,5	2,7	57,2	53,4	51,7	47,6	42,3	35,2	25,7	14,0
U 5S-180/6	U 5S-180/6 T	1,8	1,3	1,63	1,55	7,3	3	68,9	64,4	62,3	57,5	51,5	43,5	32,6	18,1
U 5S-200/7	U 5S-200/7 T	2	1,5	1,94	1,77	8,7	3,3	81,0	75,5	73,0	67,4	60,3	51,0	38,6	21,0

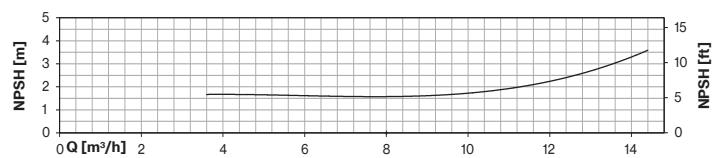
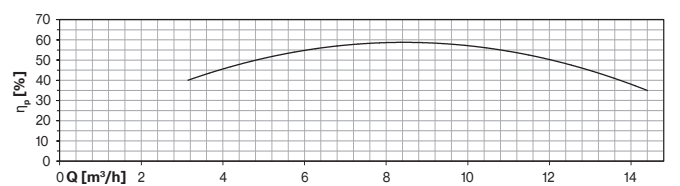
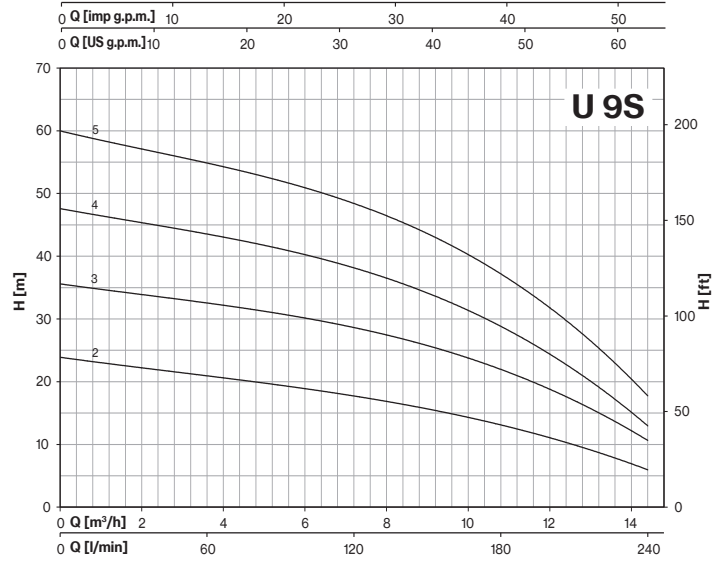
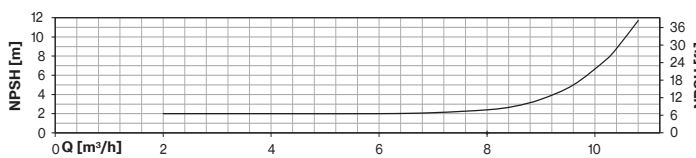
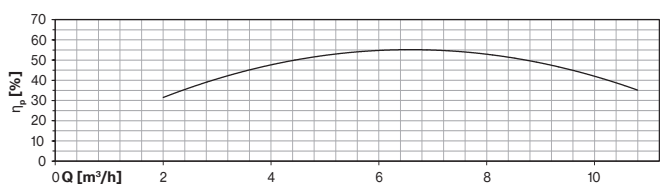
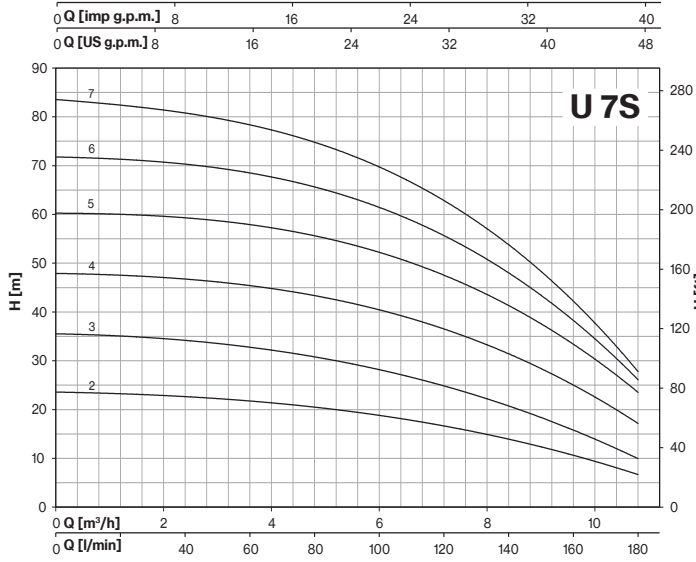
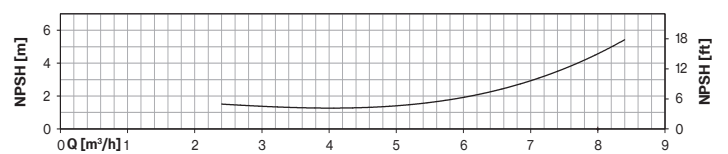
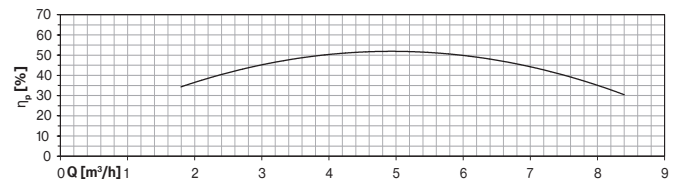
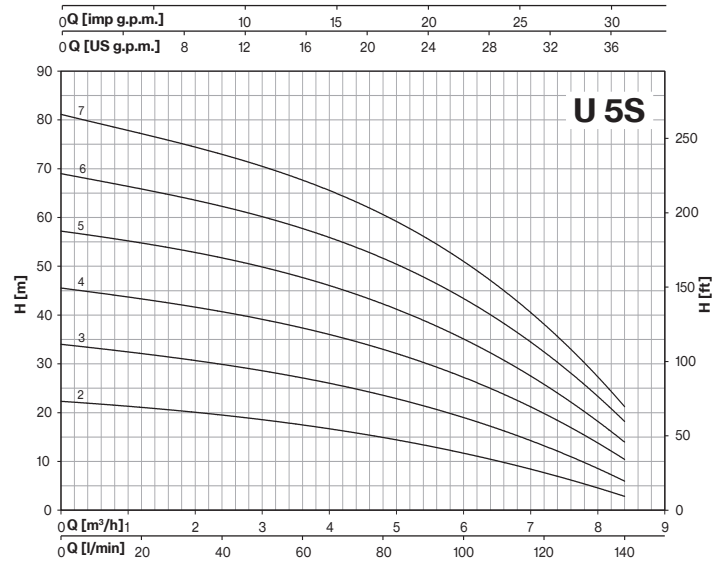
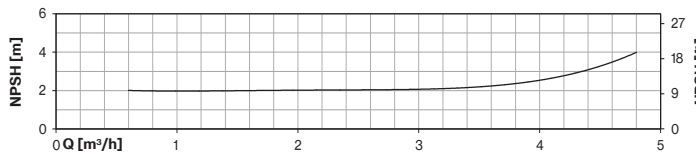
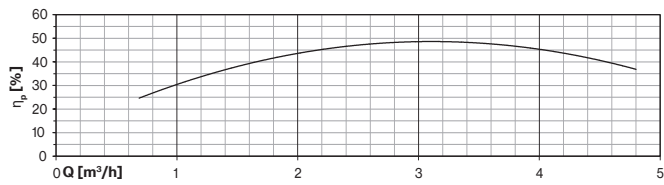
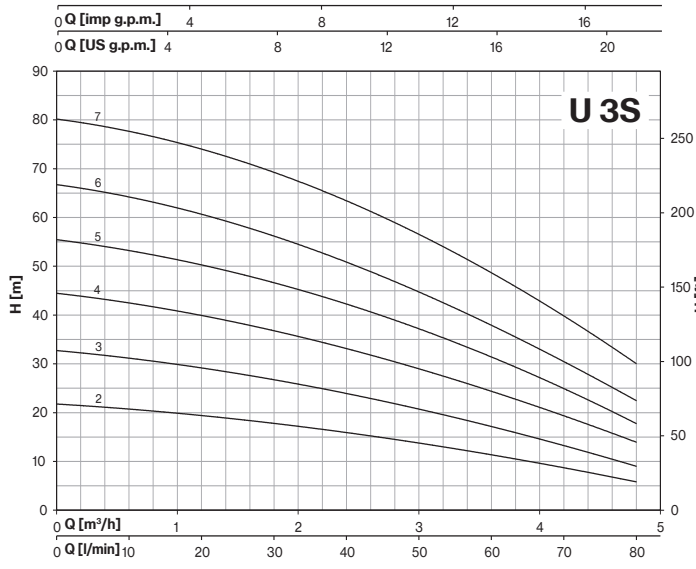
TYPE		P2		P1 (kW)		AMPERE		Q (m³/h - l/min)							
1~	3~					1~	3~	0	2,4	3,6	4,8	6	7,2	9,6	10,8
								0	40	60	80	100	120	160	180
		HP	kW	1~	3~	1x230 V 50 Hz	3x400 V 50 Hz	H (m)							
U 7S-100/2	U 7S100/2 T	1	0,75	0,91	0,84	4,1	1,6	23,6	22,6	21,8	20,5	18,8	16,7	10,6	6,7
U 7S-120/3	U 7S-120/3 T	1,2	0,9	1,23	1,22	5,6	2,5	35,6	33,9	32,8	31,2	28,1	24,7	15,7	10,0
U 7S-180/4	U 7S-180/4 T	1,8	1,3	1,69	1,62	7,7	3,1	48,0	46,3	45,7	43,6	40,4	36,4	25,0	17,2
U 7S-250/5	U 7S-250/5 T	2,5	1,85	2,19	2,05	10,2	4,1	60,3	59,0	58,2	55,7	52,2	47,4	33,5	22,0
U 7S-300/6	U 7S-300/6 T	3	2,2	2,53	2,44	11,4	4,8	72,5	70,5	69,2	66,0	61,5	55,7	37,8	24,7
-	U 7S-350/7 T	3,5	2,57	-	2,84	-	5,3	82,8	82,0	80,6	77,2	72,3	66,0	46,4	

TYPE		P2		P1 (kW)		AMPERE		Q (m³/h - l/min)										
1~	3~					1~	3~	0	3,6	4,8	6	7,2	8,4	9,6	10,8	12	13,2	14,4
								0	60	80	100	120	140	160	180	200	220	240
		HP	kW	1~	3~	1x230 V 50 Hz	3x400 V 50 Hz	H (m)										
U 9S-100/2	U 9S-100/2 T	1	0,75	0,99	0,95	4,5	1,6	23,9	20,9	20,0	18,8	17,7	16,5	15,0	13,0	11,0	8,7	6,0
U 9S-150/3	U 9S-150/3 T	1,5	1,1	1,47	1,4	6,8	3,1	35,6	32,5	31,5	30,0	28,7	26,9	24,6	22,0	18,7	15,0	10,7
U 9S-200/4	U 9S-200/4 T	2	1,5	1,88	1,77	8,4	3,3	47,6	43,5	42,1	40,1	38,1	35,7	32,7	28,9	24,2	19,0	13,1
U 9S-250/5	U 9S-250/5 T	2,5	1,85	2,36	2,23	10,8	4,3	60,0	54,8	53,0	51,0	48,2	45,4	42,0	37,3	31,6	25,0	18,0

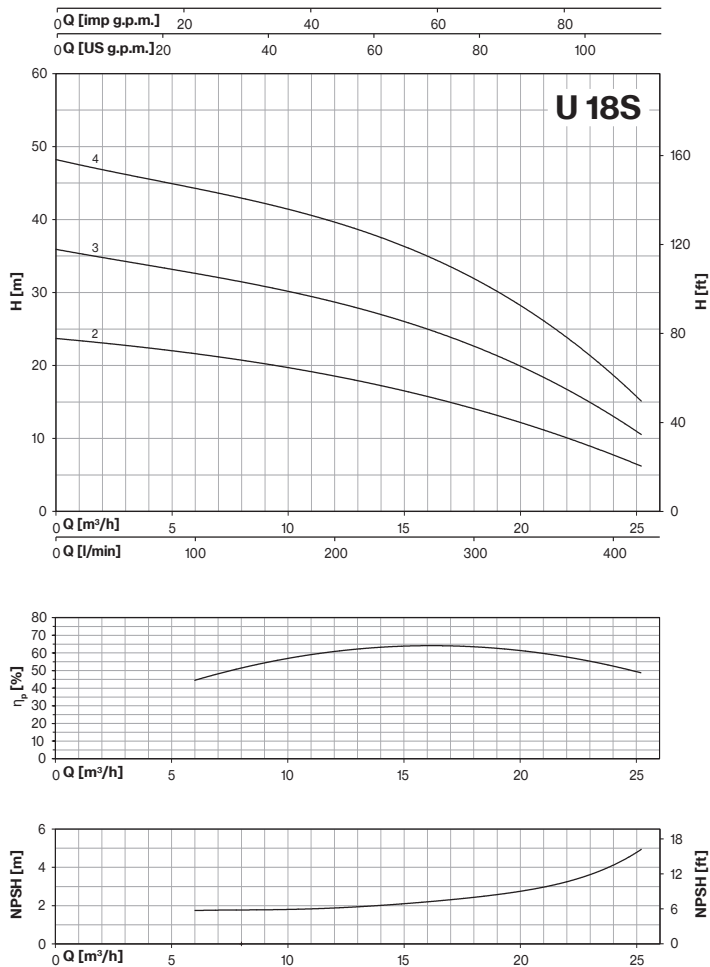
TYPE		P2		P1 (kW)		A		Q (m³/h - l/min)										
3~						3~		0	6	7,2	9,6	12	14,4	16,8	19,2	21,6	24	25,2
								0	100	120	160	200	240	280	320	360	400	420
		HP	kW	3~		3x400 V 50 Hz	H (m)											
U 18S-180/2 T		1,8	1,3	1,59		3		23,7	21,7	21,1	20,0	18,5	16,9	15,2	13,1	10,3	7,6	6,4
U 18S-250/3 T		2,5	1,85	2,29		4,4		35,7	33,1	32,3	30,4	28,4	26,3	24,0	21,4	17,8	12,9	10,2
U 18S-400/4 T		4	3	3,1		5,9		46,3	44,2	43,4	41,4	39,1	36,7	34,1	30,8	25,6	19,0	



# ULTRA S



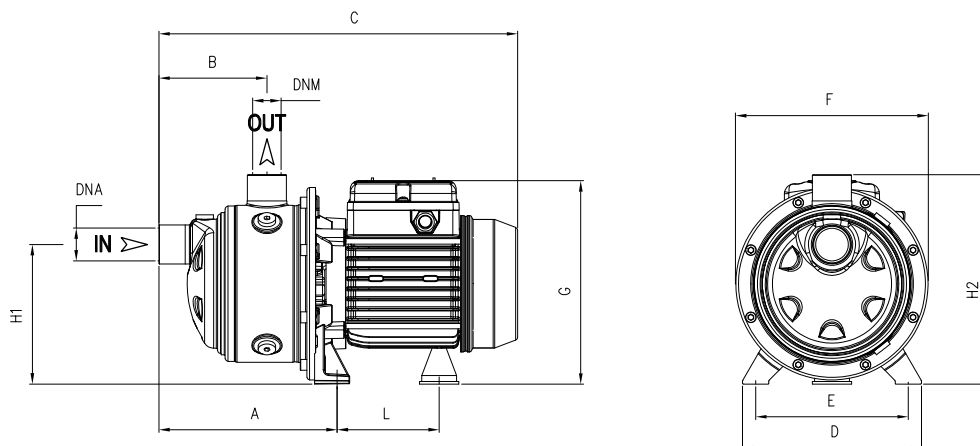
# ULTRA S



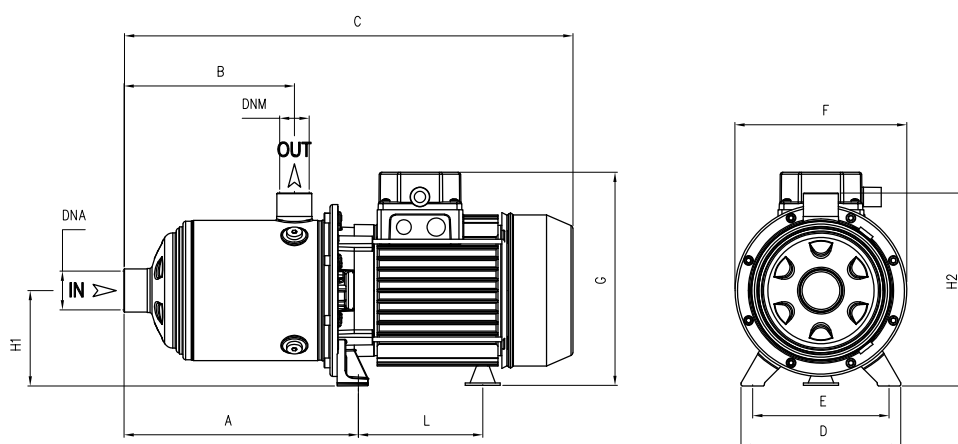
TYPE	LOTS			
	TRUCK		CONTAINER	
	PALLET (cm)	N° pumps	PALLET (cm)	N° pumps
U 3S-50/2-90/4	80×120×150	84	80×120×175	96
U 3S-100/5-120/6	85×110×160	70	85×110×185	80
U 3S-150/7	80×120×150	42	80×120×175	49
U 5S-70/2	80×120×150	84	80×120×175	96
U 5S-80/3-120/4	85×110×160	70	85×110×185	80
U 5S-150/5	90×110×150	54	90×110×170	63
U 5S-180/6-200/7	80×120×150	42	80×120×175	49
U 7S-100/2-120/3	85×110×160	70	85×110×185	80
U 7S-180/4-250/5	90×110×150	54	90×110×170	63
U 7S-300/6 T	80×120×150	42	80×120×175	49
U 7S-300/6 -350/7 T	80×120×145	35	80×120×170	42
U 9S-100/2	85×110×160	70	85×110×185	80
U 9S-150/3-200/4	90×110×150	54	90×110×170	63
U 9S-250/5	80×120×150	42	80×120×175	49
U 18S-180/2-250/3	90×110×150	54	90×110×170	63
U 18S-400/4	80×120×145	35	80×120×170	42








TYPE	DIMENSIONS (mm)											Kg		
	A	B	C	D	E	F	G	L	H1	H2	DNA		DNM	
U 3S-50/2	166,8	103	333	164	140	178	190	93,7	128	192	1" G	1" G	7	
U 3S-70/3	166,8	103	333	164	140	178	190	93,7	128	192			8	
U 3S-90/4	190,8	127	357	164	140	178	190	93,7	128	192			9,5	
U 3S-100/5	214,8	151	404	164	140	178	203	104,7	128	192			12	
U 3S-120/6	238,8	175	428	164	140	178	203	104,7	128	192			13	
U 3S-150/7	262,8	199	483	164	140	201	211	128,2	134	198			16	
U 5S-70/2	166,8	103	333	164	140	178	195	93,7	128	192			7,5	
U 5S-80/3	166,8	103	357	164	140	178	203	93,7	128	192			10	
U 5S-120/4	190,8	127	380	164	140	178	203	104,7	128	192			12	
U 5S-150/5	214,8	151	436	164	140	201	211	128,2	134	198			15	T 14,5
U 5S-180/6	238,8	175	459	164	140	201	211	128,2	134	198			16,5	T 15,5
U 5S-200/7	262,8	199	483	164	140	201	211	128,2	134	198			17,5	T 17




TYPE	DIMENSIONS (mm)											Kg		
	A	B	C	D	E	F	G	L	H1	H2	DNA		DNM	
U 7S-100/2	166,8	103	356	164	140	178	203	104,7	103	192	1" ¼ G	1" G	10,5	
U 7S-120/3	166,8	103	356	164	140	178	203	104,7	92	192			11,5	
U 7S-180/4	190,8	127	441	164	140	201	211	128,2	98	198			15	T 14
U 7S-250/5	214,8	151	436	164	140	201	211	128,2	98	198			17,5	T 16,5
U 7S-300/6	238,8	175	503 T 459	164	140	201	229	148,2	103	203			19,5	T 18
U 7S-350/7	262,8	199	567	164	140	201	229	148,2	92	203			23,5	
U 9S-100/2	185,8	118	375	164	140	178	203	104,7	98	192	1" ½ G	1" ¼ G	10,5	
U 9S-150/3	185,8	118	375	164	140	201	211	128,2	98	198			14	
U 9S-200/4	215,8	148	476	164	140	201	211	128,2	98	198			16	T 15,5
U 9S-250/5	245,8	178	464	164	140	201	211	128,2	98	198			18	T 17
U 18S-180/2 T	201	141	432	164	140	201	211	128,2	98	198	2" G	1" ½ G	14	
U 18S-250/3 T	238,5	141	432	164	140	201	211	128,2	98	198			16	
U 18S-400/4 T	276	178,5	554	164	140	201	229	148,2	103	203			25,5	



## ULTRA (S) Serie-Mechanical seal and bearings

MECHANICAL SEAL	PUMP MODEL	SHAFT Ø		STANDARD MATERIAL	OPTIONAL
	U3-50/2, U3-70/3, U3-90/4, U3-100/5, U3-120/6, U5-70/2, U5-80/3, U5-120/4, U5-150/5, U5-180/6, U7-100/2, U7-120/3, U7-180/4, U7-250/5, U7-300/6, U9-100/2, U9-150/3, U9-200/4, U9-250/5, U18-180/2, U18-250/3, U18-400/4	14mm / S	<b>Rotating face</b> <b>Stationary face</b> <b>Elastomer</b>	Graphite Ceramic EPDM	SiC SiC EPDM
	U3-150/7, U5-200/7, U7-350/7	14mm	<b>Rotating face</b> <b>Stationary face</b> <b>Elastomer</b>	Graphite Ceramic EPDM	SiC SiC EPDM

BEARINGS	PUMP MODEL	TYPE	
	U3-50/2, U3-70/3, U3-90/4, U5-70/2	6201-ZZ	6202-ZZ
	U3-100/5, U3-120/6, U5-80/3, U5-120/4, U7-100/2, U7-120/3, U9-100/2	6202-ZZ	6302-ZZ C3
	U3-150/7, U9-150/3, U18-180/2	6204-ZZ	6304-ZZ C3
	U5-150/5, U5-180/6, U5-200/7, U7-180/4, U7-250/5, 3- U7-300/6, U9-200/4, U9-250/5, U18-250/3	6203-ZZ	6304-ZZ C3
	1- U7-300/6, U7-350/7, U18-400/4	6203-ZZ	6305-ZZ C3

# ULTRA (S)+VSD

Horizontal booster pump with variable speed



## DESCRIPTION

Horizontal pump of ULTRA series provided with the single-phase variable speed drive EPIC. This booster pump assure the desired pressure regardless changes on flow demand making it suitable for low or missing pressure in domestic systems. A membrane tank downstream the system is required.

## FEATURES

- EPIC variable speed drive provided on board
- Horizontal pump of ULTRA series
- Pressure sensor
- Cable with plug

## FUNCTIONING

If the pressure in the network drops the pump will starts and gradually speeds up to provide with the set pressure. When the water demand decreases, the pressure will rise causing the pump speed to slow down and eventually to stop the pump if demand ceases. The pump will remain on standby waiting to start at the next water demand.

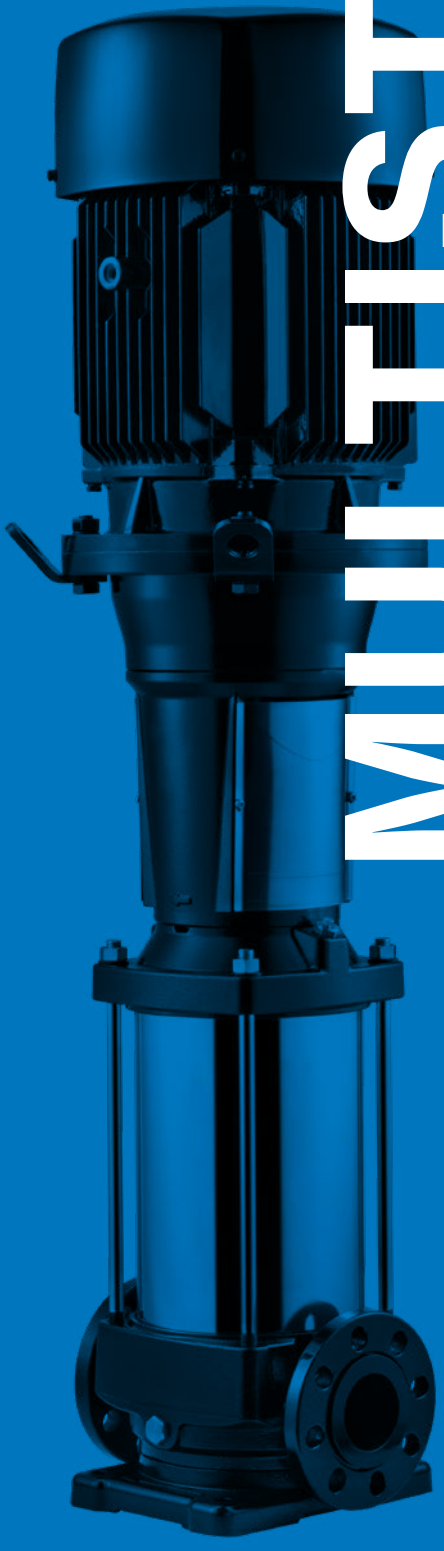
## SELECTION

The table below shows the horizontal ULTRA pump models available for the assembly with EPIC. Consult the catalog at the ULTRA series for pump specifics and characteristic curves.

PUMP		TYPE	VSD	
ULTRA	ULTRA S		Power system	
			in	out
U 3-50/2T	U 3S-50/2T	EPIC	1-	3-
U 3-70/3T	U 3S-70/3T	EPIC	1-	3-
U 3-90/4T	U 3S-90/4T	EPIC	1-	3-
U 3-100/5T	U 3S-100/5T	EPIC	1-	3-
U 3-120/6T	U 3S-120/6T	EPIC	1-	3-
U 3-150/7T	U 3S-150/7T	EPIC	1-	3-
U 5-70/2T	U 5S-70/2T	EPIC	1-	3-
U 5-80/3T	U 5S-80/3T	EPIC	1-	3-
U 5-120/4T	U 5S-120/4T	EPIC	1-	3-
U 5-150/5T	U 5S-150/5T	EPIC	1-	3-
U 5-180/6T	U 5S-180/6T	EPIC	1-	3-
U 5-200/7T	U 5S-200/7T	EPIC	1-	3-
U 7-100/2T	U 7S-100/2T	EPIC	1-	3-
U 7-120/3T	U 7S-120/3T	EPIC	1-	3-
U 7-180/4T	U 7S-180/4T	EPIC	1-	3-
U 7-250/5T	U 7S-250/5T	EPIC	1-	3-
U 9-100/2T	U 9S-100/2T	EPIC	1-	3-
U 9-150/3T	U 9S-150/3T	EPIC	1-	3-
U 9-200/4T	U 9S-200/4T	EPIC	1-	3-
U 9-250/5T	U 9S-250/5T	EPIC	1-	3-
U 18-180/2T	U 18S-180/2T	EPIC	1-	3-
U 18-250/3T	U 18S-250/3T	EPIC	1-	3-

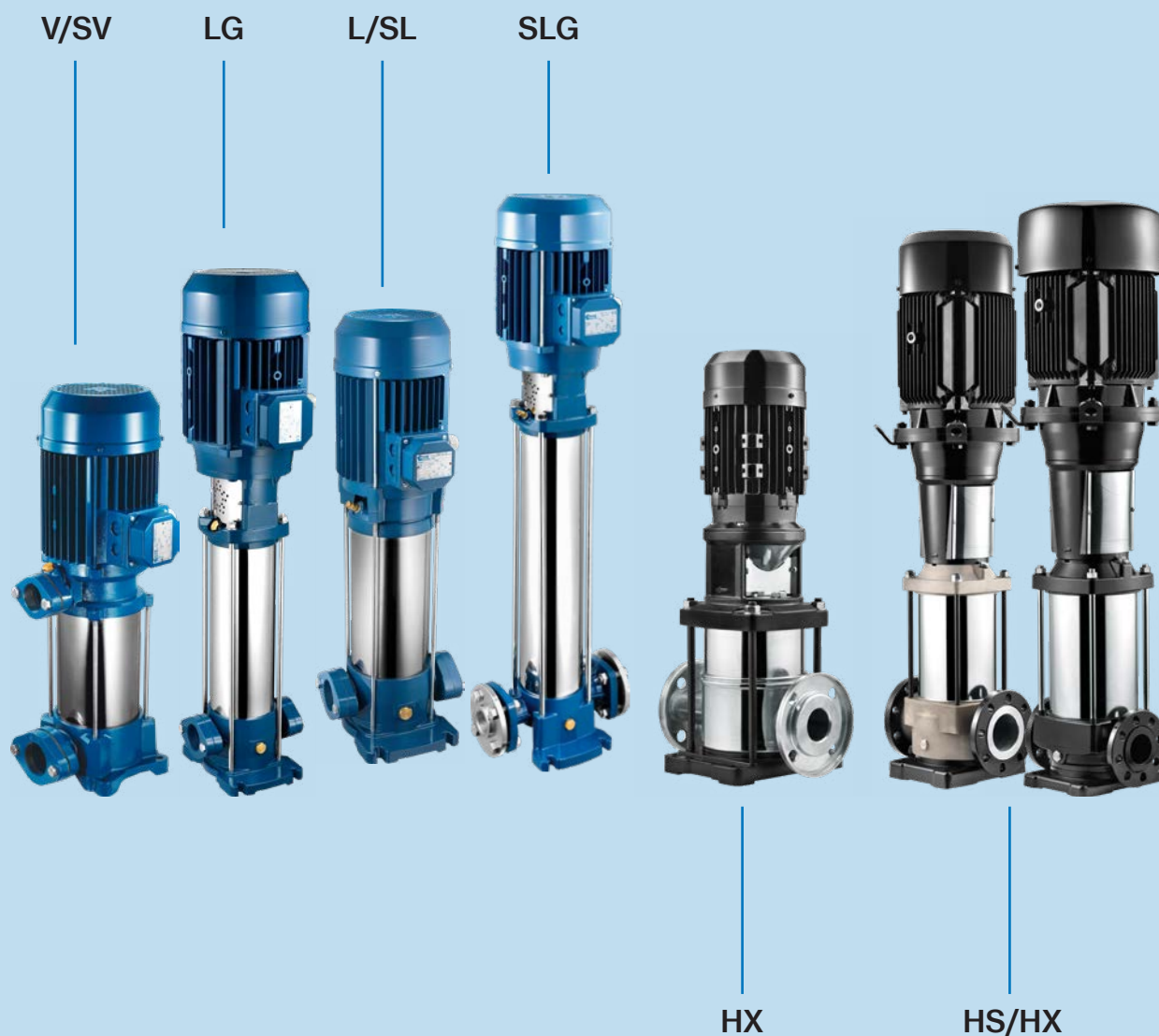






# MULTISTAGE VERTICAL

# MULTISTAGE VERTICAL PUMPS



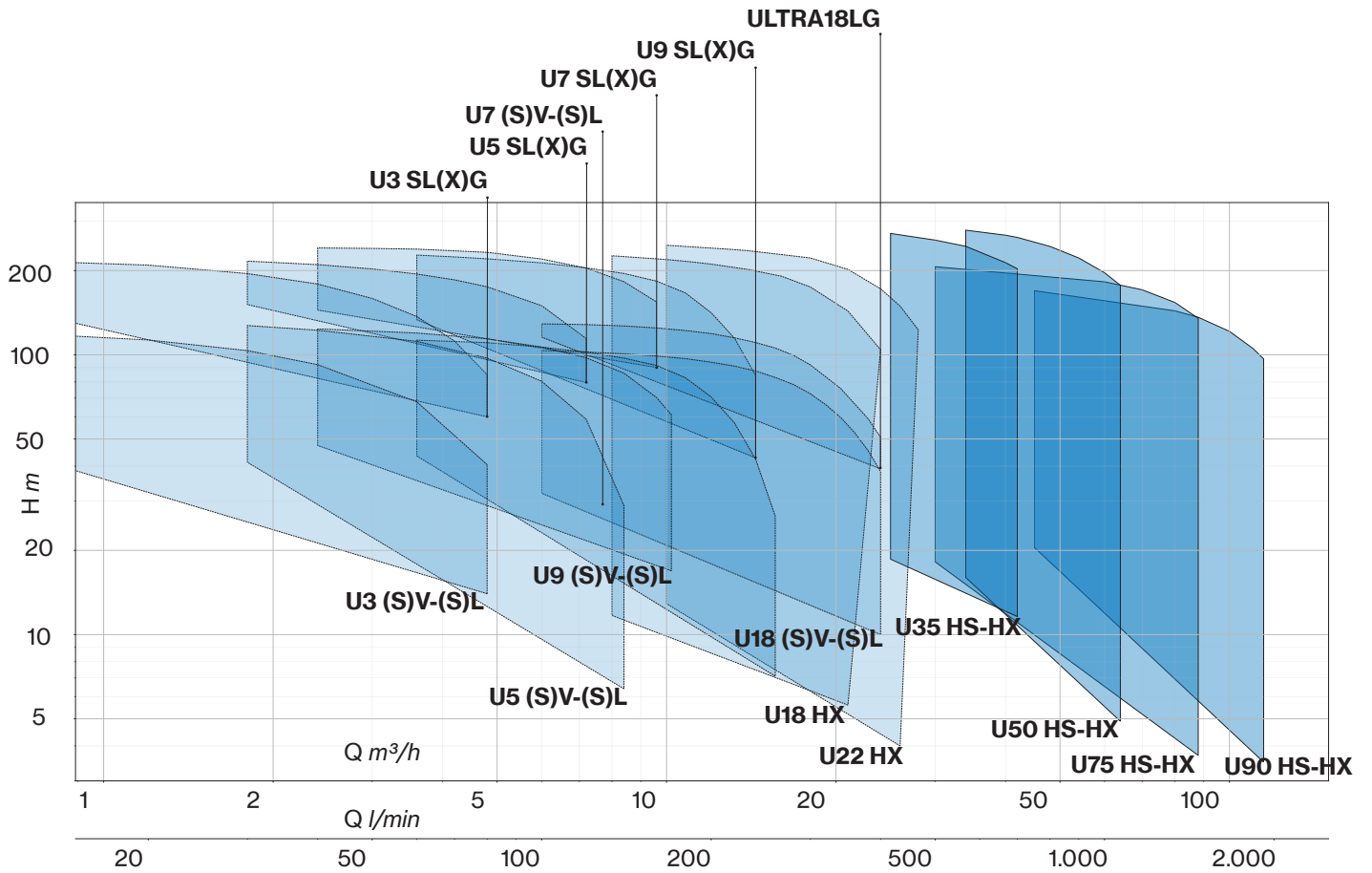
Family of vertical multistage monobloc pumps (V/L) with impellers in Noryl® or (SV/SL) in AISI 304; coupled pumps (LG) with impellers in Noryl® or (SLG) in AISI 304; coupled pumps (HS) with impellers in AISI 304 or (HX) in AISI 316.

## Applications:

- Handling unloaded liquids
- Pressurization systems
- Residential and industrial irrigation and drinking water systems
- Washing systems



# MULTISTAGE



# ULTRA V/L

## Multistage Vertical

Stainless steel multistage vertical pumps. Pumping of clean non-loaded fluids, pressurizing system, irrigation, drinking and glycol water, water treatment, food industry, heating and air conditioning, washing system.



ULTRA V



ULTRA 3-5-7 L



ULTRA 9-18 L



### Construction features

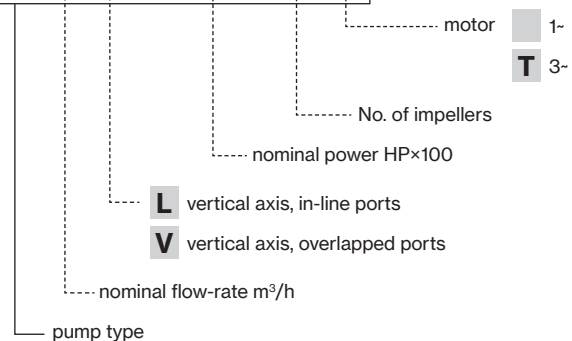
<b>Pump body</b>	cast iron
<b>Motor bracket</b>	cast iron
<b>Impellers, diffusers</b>	Noryl®
<b>Shell, motor shaft</b>	stainless steel AISI 304
<b>Mechanical seal</b>	ceramic-graphite-EPDM graphite-silicon carbide-EPDM
<b>Intermediate shaft guiding stage bush</b>	ceramic-tungsten carbide
<b>Ambient temperature</b>	max 40 °C
<b>Liquid temperature</b>	+5 ÷ +35 °C
<b>Max operating pressure</b>	8 bar ≤ 6 impellers; 14 bar ≥ 7 impellers
<b>Pump body gasket</b>	EPDM

### Motor

<b>2 pole induction motor</b>	3~ 230/400V - 50Hz P ≤ 4kW
	3~ 400/690V - 50Hz P > 4kW
	1~ 230V-50Hz (with thermal protection up to 1,85 kW)
<b>Insulation class</b>	F
<b>Protection degree</b>	IPX4 IPX5 ≥ 4,5 HP



**U 3 V - 100 / 5 T**





# ULTRA LG

## Multistage Vertical

Stainless steel multistage vertical pumps. Pumping of clean non-loaded fluids, pressurizing system, irrigation, drinking and glycol water, water treatment, food industry, heating and air conditioning, washing system.

### Construction features

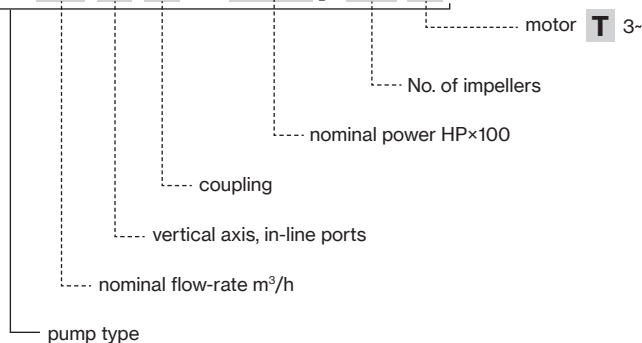
<b>Pump body</b>	cast iron
<b>Motor bracket</b>	cast iron
<b>Impellers, diffusers</b>	Noryl®
<b>Shell, motor shaft</b>	stainless steel AISI 304
<b>Mechanical seal</b>	ceramic-graphite-EPDM graphite-silicon carbide-EPDM
<b>Intermediate shaft guiding stage bush</b>	ceramic-tungsten carbide
<b>Ambient temperature</b>	max 40 °C
<b>Liquid temperature</b>	+5 ÷ +35 °C
<b>Max operating pressure</b>	14 bar
<b>Pump body gasket</b>	EPDM

### Motor

<b>2 pole induction motor</b>	3~ 400/690V - 50Hz P > 4kW
<b>Insulation class</b>	F
<b>Protection degree</b>	IPX5



**U 18 L G - 920 / 10 T**



# ULTRA V/L

TYPE		P2		P1 (kW)		AMPERE		Q (m³/h - l/min)						
1-	3-					1-	3-	0	0,6	1,2	1,8	2,4	3,6	4,8
						0	10	20	30	40	60	80		
		HP	kW	1-	3-	1x230 V 50 Hz	3x400 V 50 Hz	H (m)						
U 3...-100/5	U 3...-100/5 T	1	0,75	1,1	1	4,8	1,9	52,2	48,9	45,1	40,8	36,0	25,4	14,0
U 3...-120/6	U 3...-120/6 T	1,2	0,9	1,2	1,2	5,6	2,6	62,8	58,7	54,5	49,6	43,9	32,1	18,3
U 3...-150/7	U 3...-150/7 T	1,5	1,1	1,5	1,5	7,1	2,9	75,5	71,3	66,6	61,2	54,8	41,1	24,9
U 3...-180/8	U 3...-180/8 T	1,8	1,3	1,7	1,6	7,5	3	85,2	80,6	75,1	69,3	61,9	45,2	26,9
U 3...-200/9	U 3...-200/9 T	2	1,5	1,9	1,8	8,4	3,3	95,8	92,2	86,3	78,9	70,7	52,7	30,8
U 3...-250/10	U 3...-250/10 T	2,5	1,8	2,1	2	10	4,1	108,4	102,9	96,5	88,2	79,7	58,3	34,1
U 3...-280/11	U 3...-280/11 T	2,8	2,1	2,3	2,2	10,5	4,3	119,0	112,3	104,4	95,3	85,6	62,7	37,3
U 3...-300/12	U 3...-300/12 T	3	2,2	2,5	2,4	11,2	4,7	128,9	121,5	113,0	103,5	92,2	67,9	40,5

TYPE		P2		P1 (kW)		AMPERE		Q (m³/h - l/min)							
1-	3-					1-	3-	0	1,8	2,4	3,6	4,8	6	7,2	8,4
						0	30	40	60	80	100	120	140		
		HP	kW	1-	3-	1x230 V 50 Hz	3x400 V 50 Hz	H (m)							
U 5...-120/4	U 5...-120/4T	1,2	0,9	1,13	1,13	5,2	2,5	45,3	41,3	39,6	35,6	30,8	24,9	17,6	6,4
U 5...-150/5	U 5...-150/5T	1,5	1,1	1,47	1,39	6,8	2,8	56,8	53,0	51,0	46,1	40,1	33,3	24,8	11,5
U 5...-180/6	U 5...-180/6T	1,8	1,3	1,7	1,62	7,7	3	69,3	64,4	62,0	55,6	48,2	39,6	28,8	12,0
U 5...-200/7	U 5...-200/7T	2	1,5	2,0	1,86	9	3,4	80,3	73,6	71,0	64,5	56,1	46,0	33,4	12,5
U 5...-250/8	U 5...-250/8T	2,5	1,87	2,37	2,17	10,7	4,1	91,4	85,0	81,8	74,3	65,5	54,7	40,4	19,1
U 5...-280/9	U 5...-280/9T	2,8	2,1	2,6	2,4	11,7	4,4	102,1	94,6	90,7	81,6	71,0	58,5	42,3	20,1
U 5...-300/10	U 5...-300/10T	3	2,2	2,84	2,73	12,8	4,9	112,7	103,9	99,9	89,8	78,2	64,0	46,4	21,0
U 5...-350/11	U 5...-350/11T	3,5	2,57	3,0	2,9	13,7	5,3	127,6	122,5	119,4	110,8	98,0	80,8	57,4	
-	U 5...-380/12T	4	3	-	3,2	-	6,0	140,3	135,4	132,1	123,2	109,5	90,1	66,5	

TYPE		P2		P1 (kW)		AMPERE		Q (m³/h - l/min)								
1-	3-					1-	3-	0	2,4	3,6	4,8	6	7,2	8,4	9,6	10,2
						0	40	60	80	100	120	140	160	170		
		HP	kW	1-	3-	1x230 V 50 Hz	3x400 V 50 Hz	H (m)								
U 7...-180/4	U 7...-180/4 T	1,8	1,3	1,83	1,71	8,3	3,2	49,5	47,4	45,3	42,5	39,2	34,8	29,4	22,6	16,9
U 7...-250/5	U 7...-250/5 T	2,5	1,85	2,39	2,15	10,9	4,2	62,6	60,6	58,2	55,1	51,1	45,8	38,9	29,8	21,5
U 7...-300/6	U 7...-300/6 T	3	2,2	2,68	2,63	12,2	5	74,8	71,5	68,3	64,5	59,3	53,0	44,6	34,5	26,7
-	U 7...-350/7 T	3,5	2,57	-	2,8	-	5,1	89,0	88,0	85,8	81,2	74,5	66,3	56,2		
-	U 7...-400/8 T	4	3	-	3,1	-	5,9	102,3	101,0	98,2	92,4	84,4	74,6	62,4		
-	U 7...-450/9 T	4,5	3,37	-	3,6	-	6,5	115,2	114,4	111,4	105,6	97,1	86,3	73,1		
-	U 7...-550/10 T	5,5	4	-	4,0	-	7,7	128,1	128,0	124,9	118,7	109,4	97,6	83,0		

TYPE		P2		P1 (kW)		AMPERE		Q (m³/h - l/min)									
1-	3-					1-	3-	0	3,6	4,8	7,2	9,6	12	13,2	14,4	15,6	
						0	60	80	120	160	200	220	240	260			
		HP	kW	1-	3-	1x230 V 50 Hz	3x400 V 50 Hz	H (m)									
U 9...-200/4	U 9...-200/4 T	2	1,5	1,88	1,77	8,4	3,3	47,1	43,5	42,0	38,3	32,4	23,8	18,9	13,3	7,3	
U 9...-250/5	U 9...-250/5 T	2,5	1,87	2,32	2,18	10,6	4,3	59,2	54,4	52,4	47,9	40,5	29,8	23,5	16,3	8,5	
U 9...-300/6	U 9...-300/6 T	3	2,2	2,74	2,64	12,2	4,8	69,4	63,7	61,4	55,6	46,5	33,5	25,4	17,0	9,0	
-	U 9...-400/7 T	4	3	-	3,0	-	5,8	83,3	77,8	75,7	68,9	58,5	43,6	34,7			
-	U 9...-450/8 T	4,5	3,37	-	3,5	-	6,4	96,7	90,7	88,2	80,6	69,2	52,2	42,1			
-	U 9...-500/9 T	4,5	3,37	-	3,9	-	6,9	107,1	99,5	96,4	88,3	75,2	56,4	45,2			
-	U 9...-550/10 T	5,5	4	-	4,3	-	8,1	119,5	111,6	108,2	99,3	84,6	63,5	51,2			



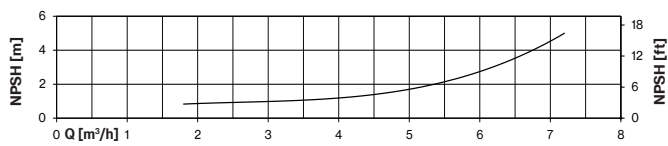
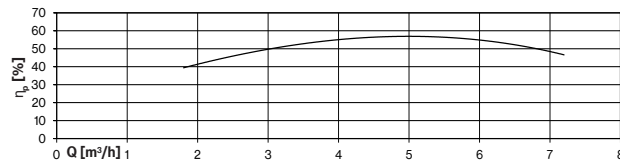
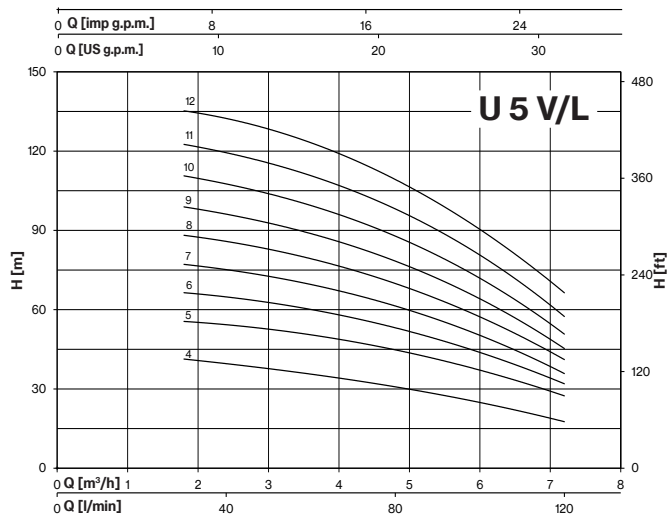
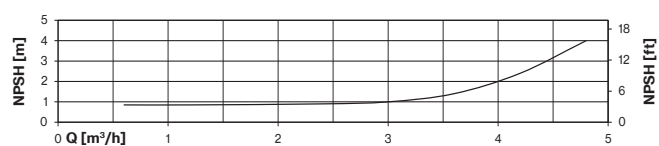
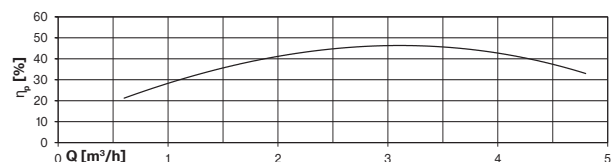
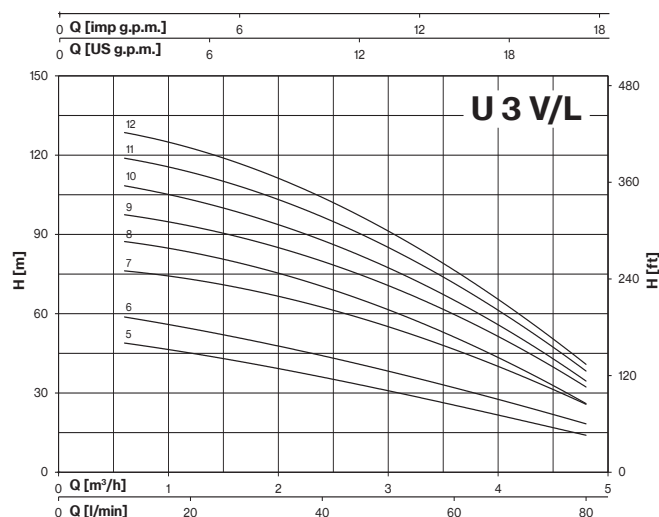
# ULTRA V/L

TYPE	P2		P1 (kW)	A	Q (m <sup>3</sup> /h - l/min)											
					3~		0	6	7,2	9,6	12	14,4	16,8	19,2	21,6	24
					0	100	120	160	200	240	280	320	360	400		
3~	HP	kW	3~	3x400 V 50 Hz	H (m)											
					U 18...-250/3 T	2,5	1,85	2,19	4,3	34,5	32,0	31,6	30,1	28,1	25,5	22,5
U 18...-400/4 T	4	3	3,0	5,8	47,1	45,4	45,2	44,3	42,6	40,0	36,0	30,6	24,6	17,8		
U 18...-450/5 T	4,5	3,37	3,9	6,9	59,2	57,6	57,4	56,4	54,5	51,6	46,7	40,1	33,3	25,3		
U 18...-550/6 T	5,5	4	4,6	8,4	71,4	69,7	69,6	68,2	65,7	62,2	56,3	48,0	39,4	29,4		
U 18...-750/8 T	7,5	5,5	6,2	11,2	96,1	94,2	94,1	92,4	89,1	84,5	77,0	66,1	54,2	41,1		
U 18...-900/9 T	10	7,5	6,9	12,8	108,5	106,9	107,0	105,3	101,7	96,8	88,6	75,9	62,6	47,8		

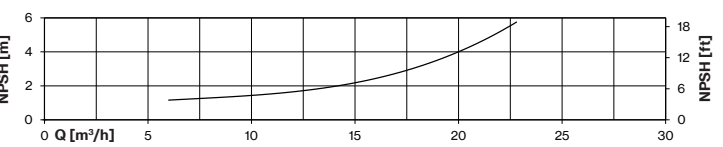
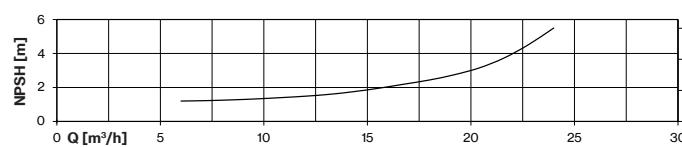
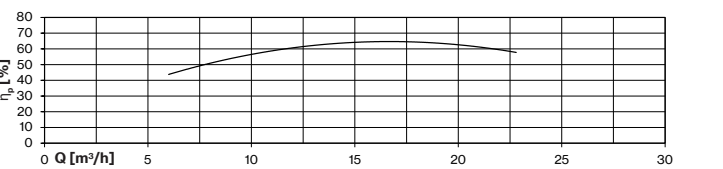
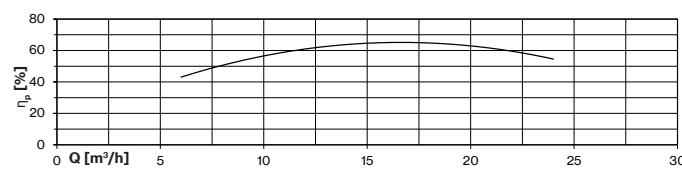
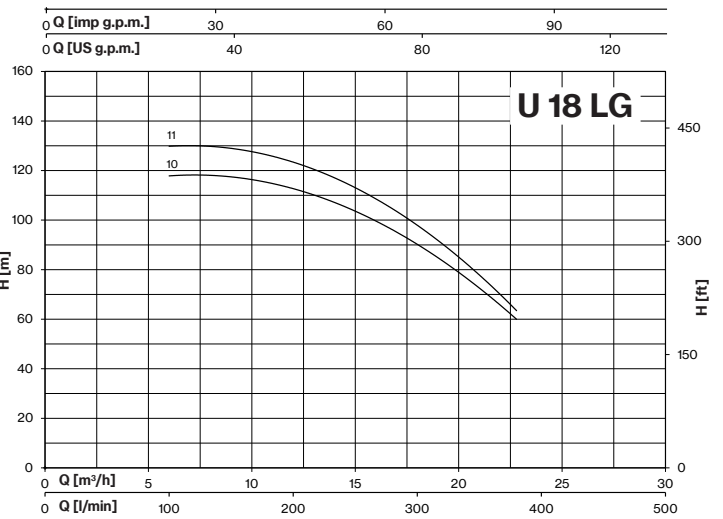
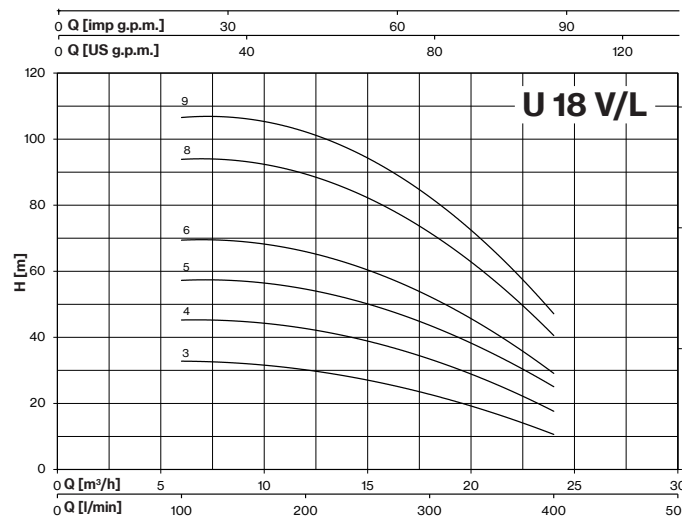
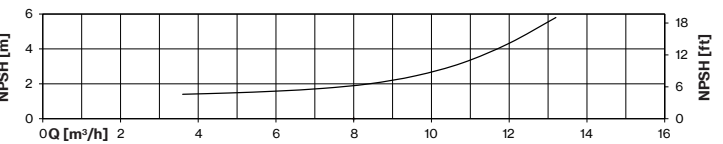
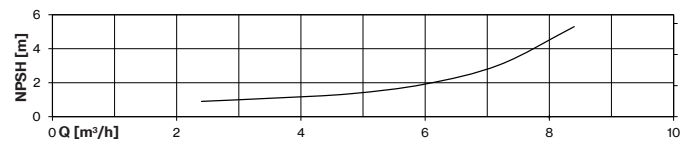
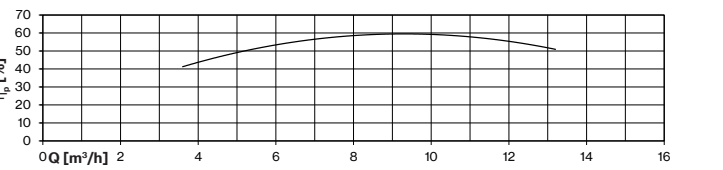
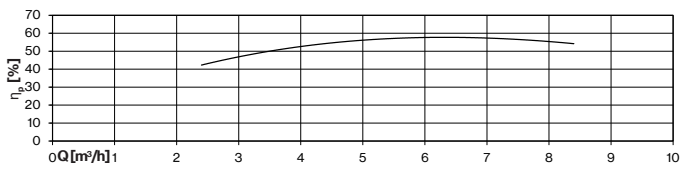
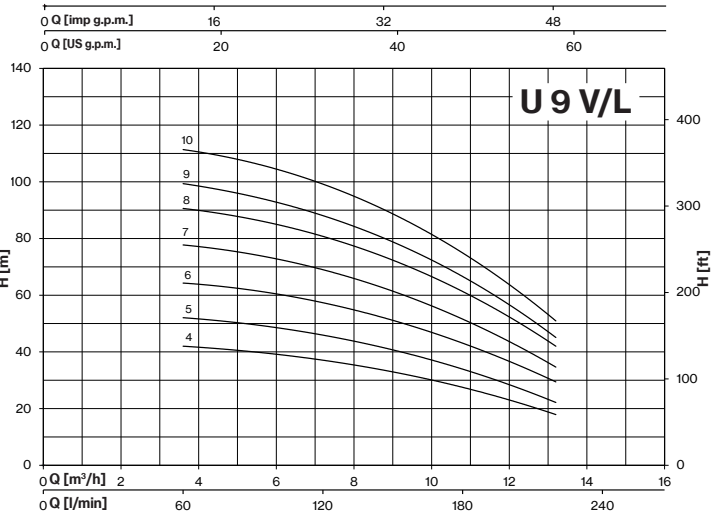
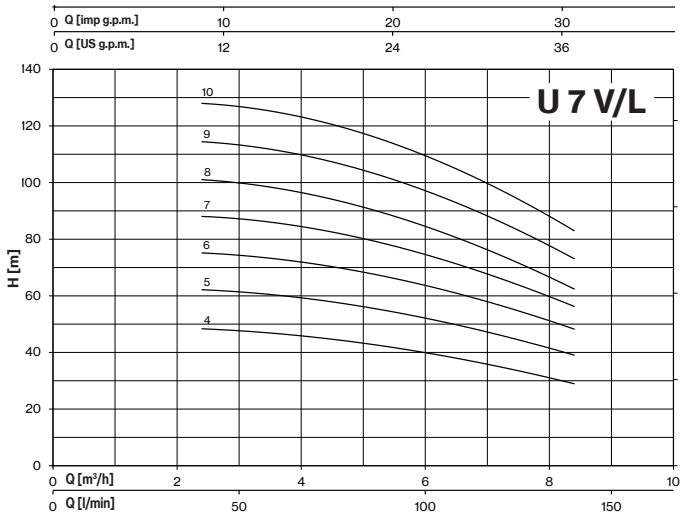
# ULTRA LG

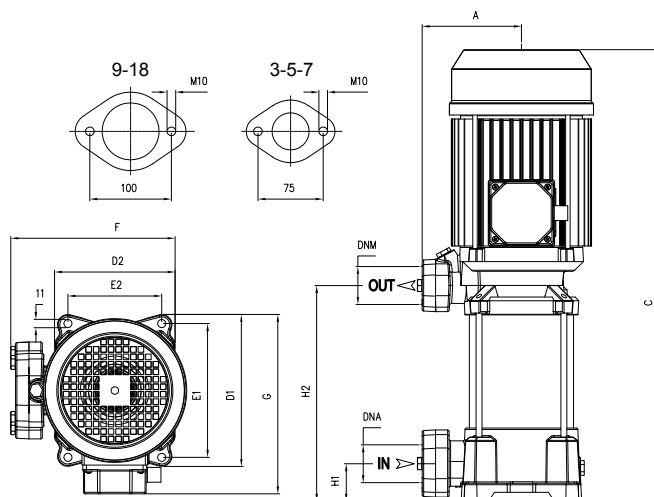
TYPE	P2		P1 (kW)	A	Q (m <sup>3</sup> /h - l/min)											
					3~		0	6	7,2	9,6	12	14,4	16,8	19,2	21,6	22,8
					0	100	120	160	200	240	280	320	360	380		
3~	HP	kW	3~	3x400 V 50 Hz	H (m)											
					U 18LG-920/10T	10	7,5	7,7	14,0	120,4	116,8	118,3	116,6	112,6	104,4	96,3
U 18LG-1000/11T	10	7,5	8,3	13,6	132,4	128,9	130,0	128,0	123,0	115,0	103,9	93,0	72,6	63,4		

# ULTRA V/L



# ULTRA V/L-LG

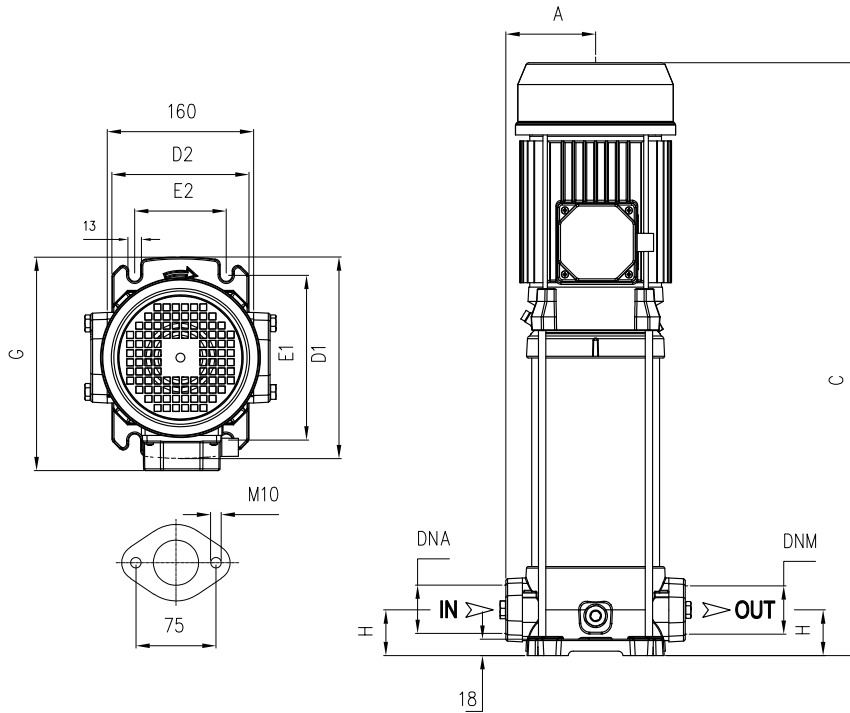




ULTRA V	DIMENSIONS (mm)												Kg			
	A	C	D1	D2	E1	E2	F	G	H1	H2	DNA	DNM				
U 3V-100/5	135	413	204	162	178,5	125	229	213	40	178	1" ¼ G	1" ¼ G	17,5			
U 3V-120/6	135	437	204	162	178,5	125	229	213	40	202			18			
U 3V-150/7	135	521	204	162	178,5	125	229	220	40	226			21	T 20,5		
U 3V-180/8	135	545	204	162	178,5	125	229	220	40	250			22	T 21		
U 3V-200/9	135	569	204	162	178,5	125	229	220	40	274			23	T 22		
U 3V-250/10	135	593	204	162	178,5	125	229	220	40	298			24	T 23		
U 3V-280/11	135	672 T 617	204	162	178,5	125	229	228 T 220	40	322			26	T 23,5		
U 3V-300/12	135	696 T 641	204	162	178,5	125	229	228 T 220	40	346			26,5	T 24		
U 5V-120/4	135	389	204	162	178,5	125	229	213	40	178			1" ¼ G	1" ¼ G	17,5	
U 5V-150/5	135	473	204	162	178,5	125	229	220	40	202					20,5	T 20
U 5V-180/6	135	497	204	162	178,5	125	229	220	40	226					21,5	20,5
U 5V-200/7	135	521	204	162	178,5	125	229	220	40	250					22,5	T 21,5
U 5V-250/8	135	545	204	162	178,5	125	229	220	40	274	23,5	T 22,5				
U 5V-280/9	135	624 T 569	204	162	178,5	125	229	228 T 220	40	298	25,5	T 23				
U 5V-300/10	135	648 T 593	204	162	178,5	125	229	228 T 220	40	322	26	T 24				
U 5V-350/11	135	672	204	162	178,5	125	229	228	40	346	32,5	T 26				
U 5V-380/12	135	696	204	162	178,5	125	229	228	40	370	32,5					
U 7V-180/4	135	422	204	162	178,5	125	229	220	40	178	1" ¼ G	1" ¼ G			21	T 20
U 7V-250/5	135	473	204	162	178,5	125	229	220	40	202					22,5	T 21,5
U 7V-300/6	135	552 T 497	204	162	178,5	125	229	228 T 220	40	226					24,5	T 23
U 7V-350/7	135	575	204	162	178,5	125	229	228	40	250			28			
U 7V-400/8	135	600	204	162	178,5	125	229	228	40	274			31,5			
U 7V-450/9	135	653	204	162	178,5	125	235	243	40	301			35,5			
U 7V-550/10	135	676	204	162	178,5	125	235	243	40	325			42			
U 9V-200/4	135	473	204	162	178,5	125	229	220	40	202			1" ½ G	1" ¼ G	21,5	T 20,5
U 9V-250/5	135	503	204	162	178,5	125	229	220	40	232					22,5	T 22
U 9V-300/6	135	588 T 533	204	162	178,5	125	229	228 T 220	40	262					24,5	T 23
U 9V-400/7	135	617	204	162	178,5	125	229	228	40	292	31,5					
U 9V-450/8	135	677	204	162	178,5	125	235	243	40	325	35,5					
U 9V-500/9	135	707	204	162	178,5	125	235	243	40	355	36					
U 9V-550/10	135	737	204	162	178,5	125	235	243	40	385	40,5					
U 18V-250/3 T	135	481	204	162	178,5	125	229	220	50	211	2" G	1" ½ G			22,5	
U 18V-400/4 T	135	573	204	162	178,5	125	229	228	50	248					31,5	
U 18V-450/5 T	135	640	204	162	178,5	125	235	243	50	289					36,5	
U 18V-550/6 T	135	678	204	162	178,5	125	235	243	50	326			41			
U 18V-750/8 T	135	815	204	162	178,5	125	255	253	50	401			50,5			
U 18V-900/9 T	135	852	204	162	178,5	125	255	253	50	439			57			

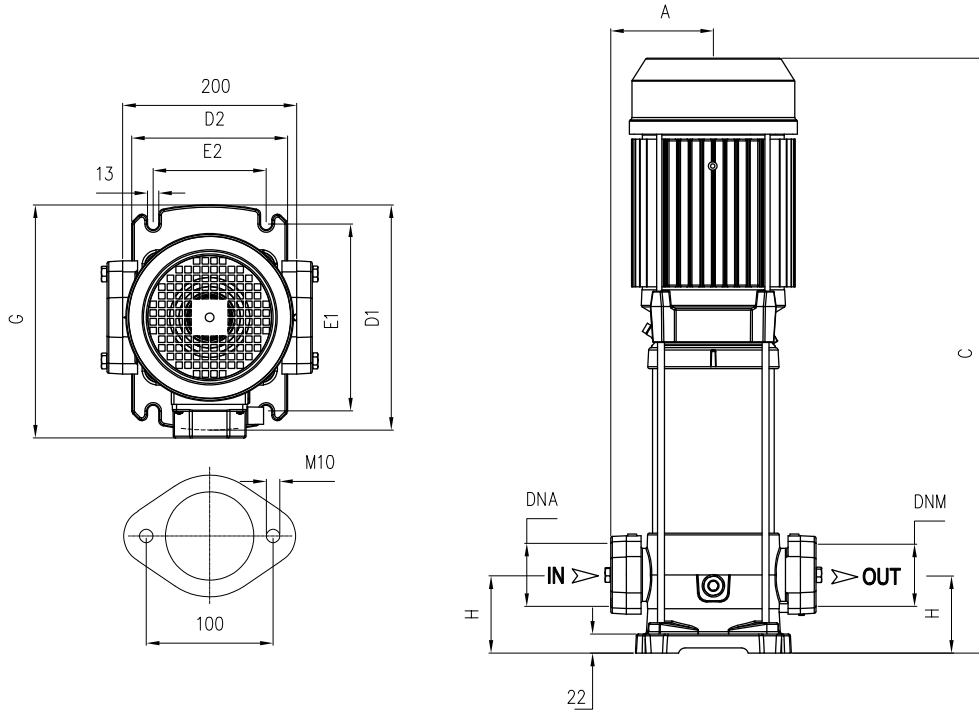


# ULTRA L



ULTRA L	DIMENSIONS (mm)										Kg				
	A	C	D1	D2	E1	E2	G	H	DNA	DNM					
U 3L-100/5	98	429	220	150	180	100	228	50	1" ¼ G	1" ¼ G	19				
U 3L-120/6	98	453	220	150	180	100	228	50			20				
U 3L-150/7	98	537	220	150	180	100	228	50			23		T 22,5		
U 3L-180/8	98	561	220	150	180	100	228	50			24		T 23		
U 3L-200/9	98	585	220	150	180	100	228	50			25		T 24,5		
U 3L-250/10	98	609	220	150	180	100	228	50			26,5		T 25,5		
U 3L-280/11	98	688 T 633	220	150	180	100	236 T 228	50			28,5		T 26		
U 3L-300/12	98	712 T 657	220	150	180	100	236 T 228	50			28,5		T 27		
U 5L-120/4	98	405	220	150	180	100	221	50			1" ¼ G	1" ¼ G	19,5		T 19
U 5L-150/5	98	489	220	150	180	100	228	50					22,5		T 22
U 5L-180/6	98	513	220	150	180	100	228	50					23,5		T 22,5
U 5L-200/7	98	537	220	150	180	100	228	50					24		T 23,5
U 5L-250/8	98	561	220	150	180	100	228	50	25,5				T 24,5		
U 5L-280/9	98	640 T 585	220	150	180	100	236 T 228	50	27,5				T 25		
U 5L-300/10	98	664 T 609	220	150	180	100	236 T 228	50	28				T 26,5		
U 5L-350/11	98	687	220	150	180	100	236	50	34,5						
U 5L-380/12	98	711	220	150	180	100	236	50	35						
U 7L-180/4	98	465	220	150	180	100	228	50	1" ¼ G	1" ¼ G			23		T 22
U 7L-250/5	98	489	220	150	180	100	228	50					24,5		T 23,5
U 7L-300/6	98	568 T 513	220	150	180	100	236 T 228	50					27		T 25
U 7L-350/7	98	590	220	150	180	100	236	50			30				
U 7L-400/8	98	614	220	150	180	100	236	50			33,5				
U 7L-450/9	98	668	220	150	180	100	251	50			38				
U 7L-550/10	98	692	220	150	180	100	251	50			42,5				





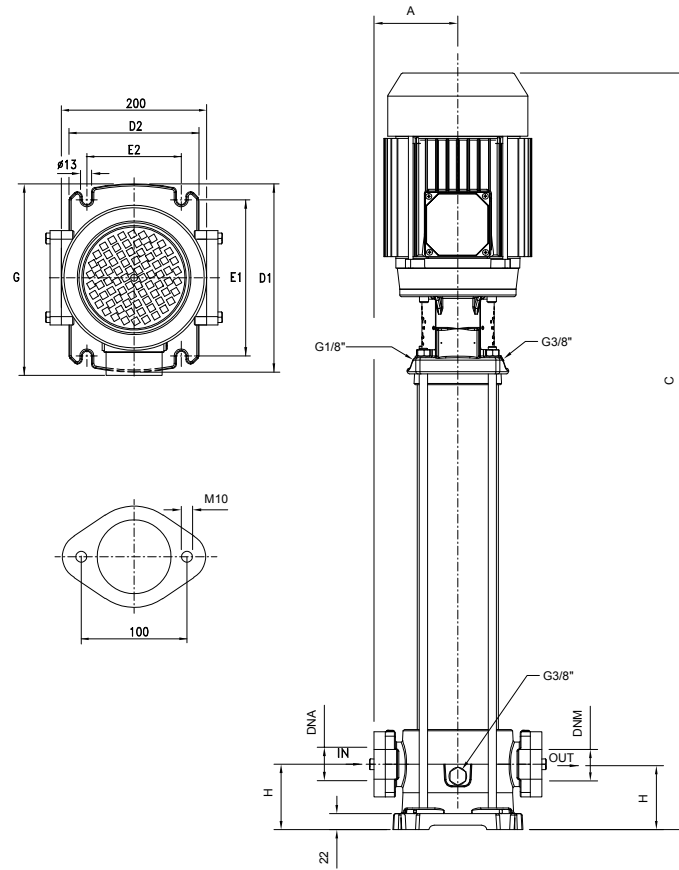
ULTRA L	DIMENSIONS (mm)										Kg	
	A	C	D1	D2	E1	E2	G	H	DNA	DNM		
U 9L-200/4	118	520	260	180	215	130	248	80	1" 1/2 G	1" 1/2 G	28	T 27,5
U 9L-250/5	118	550	260	180	215	130	248	80			29,5	T 28,5
U 9L-300/6	118	635 T 580	260	180	215	130	256 T 248	80			31,5	T 29,5
U 9L-400/7	118	663	260	180	215	130	256	80			38	
U 9L-450/8	118	723	260	180	215	130	271	80			42	
U 9L-500/9	118	763	260	180	215	130	271	80			42	
U 9L-550/10	118	783	260	180	215	130	271	80	47			
U 18L-250/3 T	118	482	260	180	215	130	251	90	2" G	2" G	28,5	
U 18L-400/4 T	118	603	260	180	215	130	257	90			37,5	
U 18L-450/5 T	118	680	260	180	215	130	271	90			41,5	
U 18L-550/6 T	118	718	260	180	215	130	271	90			45,5	
U 18L-750/8 T	118	855	260	180	215	130	280	90			55	
U 18L-900/9 T	118	893	260	180	215	130	280	90			62	

MODEL	LOTS			
	TRUCK		CONTAINER	
	PALLET (cm)	N° pumps	PALLET (cm)	N° pumps
U 3V-100/5-200/9	80x120x150	42	80x120x175	49
U 3V-250/10-300/12	80x120x155	30	80x120x180	35
U 3V-300/12 T	80x120x150	42	80x120x175	49
U 5V-120/4-250/8	80x120x150	42	80x120x175	49
U 5V-280/9 T-300/10 T	80x120x150	42	80x120x175	49
U 5V-280/9-300/10	80x120x155	30	80x120x180	35
U 5V-350/11-380/12 T	80x120x155	30	80x120x180	35
U 7V-180/4-350/7 T	80x120x15	42	80x120x175	49
U 7V-400/8 T	80x120x155	30	80x120x180	35
U 7V-450/9 T-550/10 T	85x110x125	20	85x110x150	24
U 9V-200/4	80x120x150	42	80x120x175	49
U 9V-250/5-300/6 T	80x120x150	42	80x120x175	49
U 9V-300/6 -400/7 T	80x120x155	30	80x120x180	35
U 9V-450/8 T-550/10 T	85x110x125	20	85x110x150	24
U 18V-250/3 T-400/4 T	80x120x150	42	80x120x175	49
U 18V-450/5 T-550/6 T	85x110x125	20	85x110x150	24
U 18V-750/8 T-900/9 T	100x120x150	12	100x120x150	12

MODEL	LOTS			
	TRUCK		CONTAINER	
	PALLET (cm)	N° pumps	PALLET (cm)	N° pumps
U 3L-100/5-180/8	85x110x150	36	85x110x170	42
U 3L-200/9-300/12	80x120x150	30	80x120x170	35
U 5L-120/4-250/8	85x110x150	36	85x110x170	42
U 5L-280/9-380/12 T	80x120x150	30	80x120x170	35
U 7L-180/4-300/6 T	85x110x150	36	85x110x170	42
U 7L-300/6-400/8 T	80x120x150	30	80x120x170	35
U 7L-450/9 T-550/10 T	80x120x150	30	80x120x170	35
U 9L-200/4-400/7 T	80x120x155	25	80x120x185	30
U 9L-450/8 T-550/10 T	85x110x150	20	85x110x150	20
U 18L-250/3 T-400/4 T	80x120x155	25	80x120x185	30
U 18L-450/5 T-550/6 T	85x110x150	20	85x110x150	20
U 18L-750/8 T-900/6 T	85x110x150	20	85x110x150	20



# ULTRA LG



ULTRA LG	DIMENSIONS (mm)										Kg
	A	C	D1	D2	E1	E2	G	H	DNA	DNM	
U 18LG-920/10 T	118	1019	260	180	215	130	307	90			67,5
U 18LG-1000/11 T	118	1057	260	180	215	130	307	90	2" G	2" G	75,5

MODEL	LOTS			
	TRUCK		CONTAINER	
	PALLET (cm)	N° pumps	PALLET (cm)	N° pumps
U 18LG-920/10 T - 1000/11 T	100×120×150	12	100×120×150	12





# ULTRA SV/SL/SLX

Multistage Vertical

Stainless steel multistage vertical pumps. Pumping of clean non-loaded fluids, pressurizing system, irrigation, drinking and glycol water, water treatment, food industry, heating and air conditioning, washing system.



ULTRA SV



ULTRA 3-5-7 SL



ULTRA 9-18 SL



ULTRA SLX



## Construction features

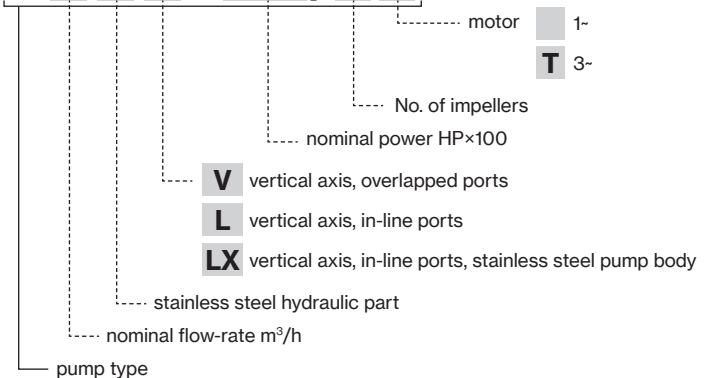
<b>Pump body</b>	cast iron (SV/SL); stainless steel AISI 304 (SLX)
<b>Motor bracket</b>	cast iron
<b>Impellers, diffusers, shell, motor shaft</b>	stainless steel AISI 304
<b>Mechanical seal</b>	ceramic-graphite-EPDM graphite-silicon carbide-EPDM
<b>Intermediate shaft guiding stage bush</b>	ceramic-tungsten carbide
<b>Ambient temperature</b>	max 40 °C
<b>Liquid temperature</b>	+5 ÷ 90 °C (SV) -15 ÷ 110 °C (SL/SLX)
<b>Max operating pressure</b>	8 bar ≤ 6 impellers; 14 bar ≥ 7 impellers
<b>Pump body gasket</b>	EPDM

## Motor

<b>2 pole induction motor</b>	3~ 230/400V - 50Hz P ≤ 4kW 3~ 400/690V - 50Hz P > 4kW
	1~ 230V-50Hz (with thermal protection up to 1,85 kW)
<b>Insulation class</b>	F
<b>Protection degree</b>	IPX4 IPX5 ≥ 4,5 HP



**U 3 S V - 100 / 5 T**



# ULTRA SV/SL/SLX

TYPE		P2		P1 (kW)		AMPERE		Q (m³/h - l/min)						
1~	3~					1~	3~	0	0,6	1,2	1,8	2,4	3,6	4,8
						1x230 V 50 Hz	3x400 V 50 Hz	0	10	20	30	40	60	80
		HP	kW	1~	3~	H (m)								
U 3...-100/5	U 3...-100/5T	1	0,75	1	0,9	4,4	1,7	55,3	53,5	50,3	46,5	42,1	31,6	17,7
U 3...-120/6	U 3...-120/6T	1,2	0,9	1,1	1,1	5,1	2,5	66,6	64,4	60,8	56,0	50,7	38,1	22,4
U 3...-150/7	U 3...-150/7T	1,5	1,1	1,4	1,3	6,4	2,7	80,1	77,7	74,2	69,1	63,3	48,8	30,0
U 3...-180/8	U 3...-180/8T	1,8	1,3	1,6	1,5	6,9	2,7	91,5	88,8	84,8	79,0	72,3	55,8	34,3
U 3...-200/9	U 3...-200/9T	2	1,5	1,7	1,6	7,7	3,0	103,0	99,9	95,4	88,8	81,4	62,7	38,6
U 3...-250/10	U 3...-250/10T	2,5	1,8	1,9	1,8	9,2	3,7	114,4	111,0	106,0	98,7	90,4	69,7	42,9
U 3...-280/11	U 3...-280/11T	2,8	2,1	2,1	2,0	9,7	3,9	125,9	122,1	116,6	108,6	99,5	76,7	47,1
U 3...-300/12	U 3...-300/12T	3	2,2	2,3	2,2	10,3	4,3	137,3	133,2	127,2	118,5	108,5	83,7	51,4

TYPE		P2		P1 (kW)		AMPERE		Q (m³/h - l/min)							
1~	3~					1~	3~	0	1,8	2,4	3,6	4,8	6	7,2	8,4
						1x230 V 50 Hz	3x400 V 50 Hz	0	30	40	60	80	100	120	140
		HP	kW	1~	3~	H (m)									
U 5...-120/4	U 5...-120/4T	1,2	0,9	1,09	1,09	4,9	2,4	45,5	42,2	40,7	37,2	32,9	27,4	19,8	10,4
U 5...-150/5	U 5...-150/5T	1,5	1,1	1,39	1,31	6,5	2,7	57,2	53,4	51,7	47,6	42,3	35,2	25,7	14,0
U 5...-180/6	U 5...-180/6T	1,8	1,3	1,63	1,55	7,3	3	68,9	64,4	62,3	57,5	51,5	43,5	32,6	18,1
U 5...-200/7	U 5...-200/7T	2	1,5	1,94	1,77	8,7	3,3	81,0	75,5	73,0	67,4	60,3	51,0	38,6	21,0
U 5...-250/8	U 5...-250/8T	2,5	1,9	2,2	2,07	10,1	4	92,1	86,5	84,0	77,8	70,1	60,0	45,5	26,0
U 5...-280/9	U 5...-280/9T	2,8	2,1	2,45	2,27	11	4,2	103,4	96,7	93,5	86,0	77,1	65,6	48,7	27,6
U 5...-300/10	U 5...-300/10T	3	2,2	2,67	2,57	11,9	4,7	114,2	106,4	102,9	95,2	85,2	72,0	53,3	30,0
U 5...-350/11	U 5...-350/11T	3,5	2,57	3,0	2,9	13,7	5,3	125,1	117,6	114,3	106,1	95,5	80,9	60,9	34,8
-	U 5...-380/12T	4	3	-	3,2	-	6,0	135,7	128,9	125,6	117,7	106,3	91,3	70,2	41,5

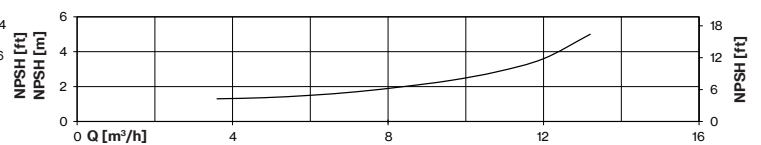
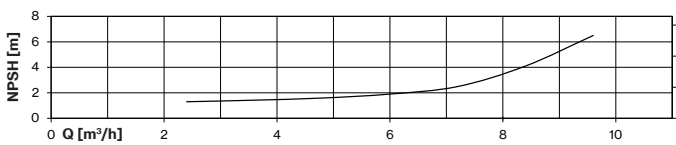
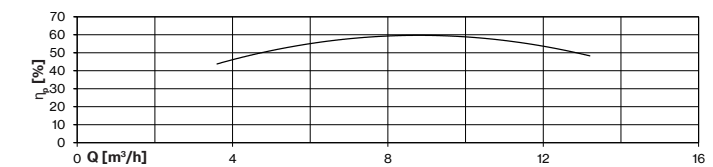
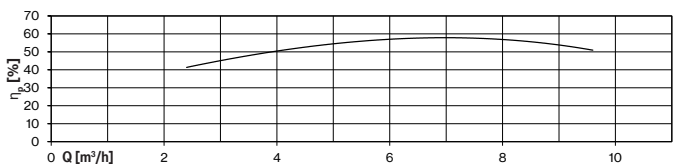
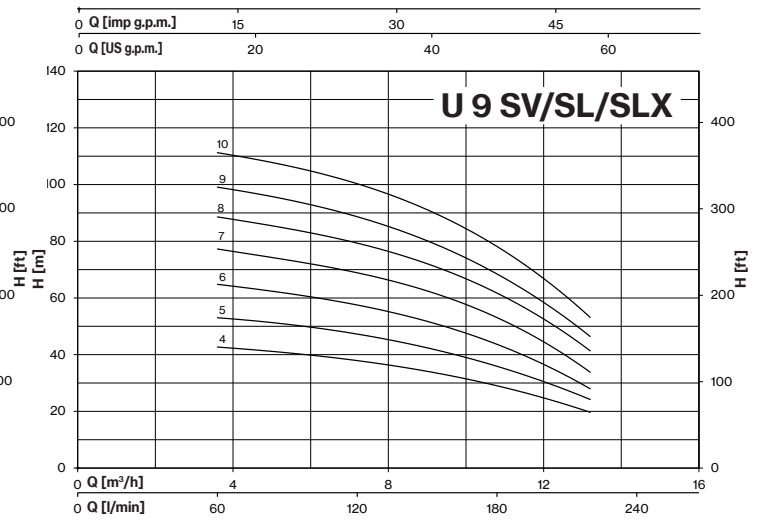
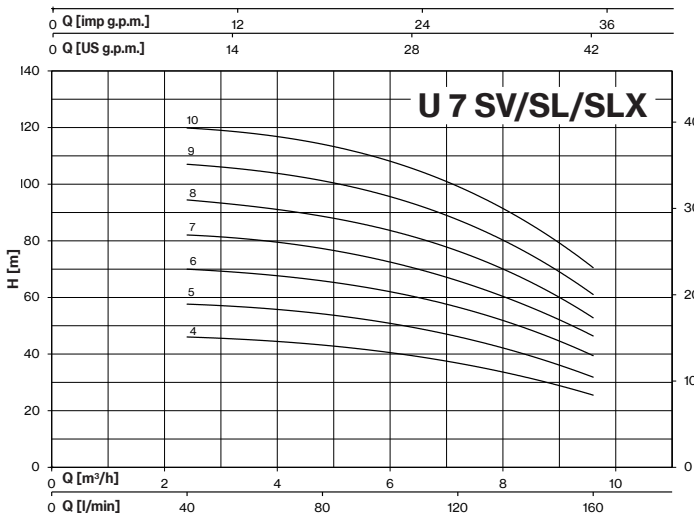
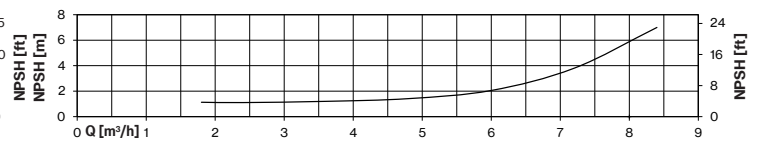
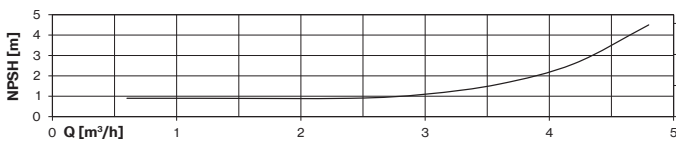
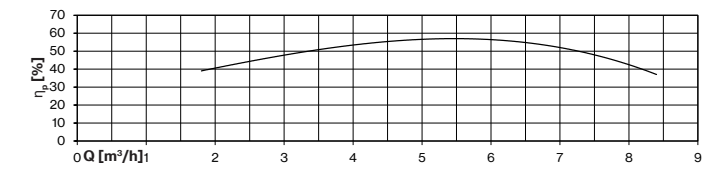
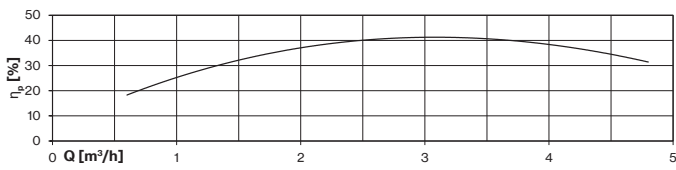
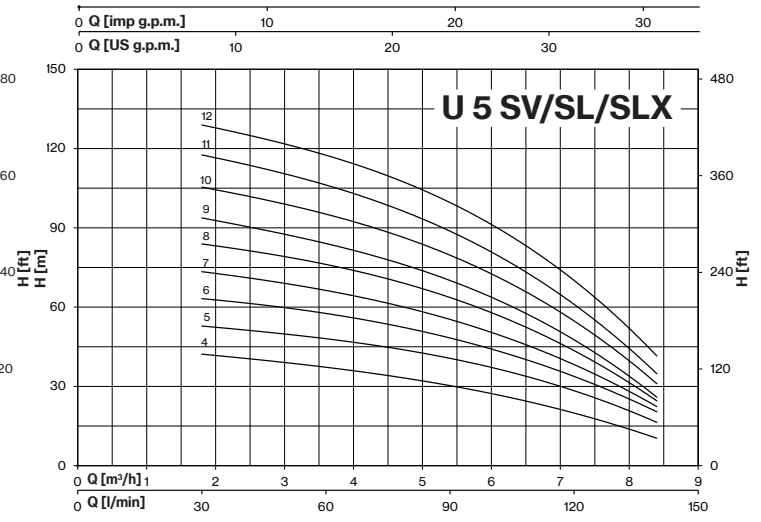
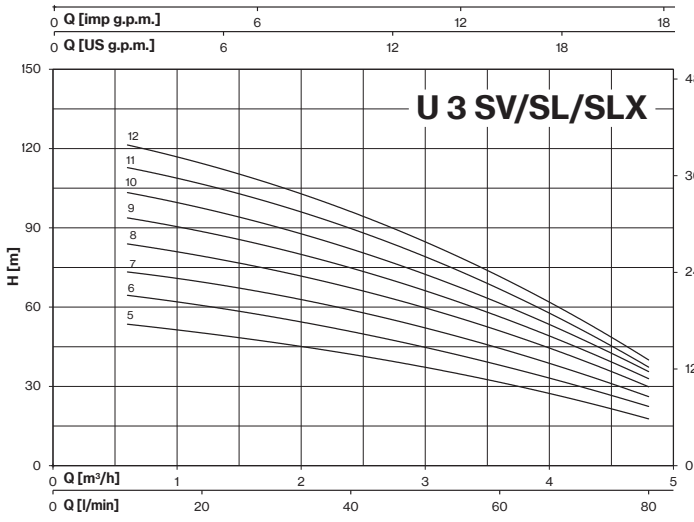
TYPE		P2		P1 (kW)		AMPERE		Q (m³/h - l/min)							
1~	3~					1~	3~	0	2,4	3,6	4,8	6	7,2	9,6	10,8
						1x230 V 50 Hz	3x400 V 50 Hz	0	40	60	80	100	120	160	180
		HP	kW	1~	3~	H (m)									
U 7...-180/4	U 7...-180/4 T	1,8	1,3	1,69	1,62	7,7	3,1	48,0	46,3	45,7	43,6	40,4	36,4	25,0	17,2
U 7...-250/5	U 7...-250/5 T	2,5	1,9	2,19	2,05	10,2	4,1	60,3	59,0	58,2	55,7	52,2	47,4	33,5	23,5
U 7...-300/6	U 7...-300/6 T	3	2,2	2,53	2,44	11,4	4,8	71,8	70,0	68,9	65,7	61,3	55,4	38,5	26,0
-	U 7...-350/7 T	3,5	2,57	-	2,9	-	5,3	82,8	82,0	80,6	77,2	72,3	66,0	46,4	
-	U 7...-400/8 T	4	3	-	3,3	-	6,1	94,8	94,3	92,5	88,6	83,2	76,4	52,6	
-	U 7...-450/9 T	4,5	3,37	-	3,7	-	6,7	107,4	106,9	105,2	101,1	95,3	87,7	61,0	
-	U 7...-550/10 T	5,5	4	-	4,1	-	7,9	119,8	119,6	118,4	113,9	107,7	99,4	70,4	

TYPE		P2		P1 (kW)		AMPERE		Q (m³/h - l/min)									
1~	3~					1~	3~	0	3,6	4,8	6	7,2	9,6	12	13,2	14,4	15,6
						1x230 V 50 Hz	3x400 V 50 Hz	0	60	80	100	120	160	200	220	240	260
		HP	kW	1~	3~	H (m)											
U 9...-200/4	U 9...-200/4 T	2	1,5	1,88	1,77	8,4	3,3	47,6	43,5	42,1	40,1	38,1	32,7	24,2	19,0	13,1	7,1
U 9...-250/5	U 9...-250/5 T	2,5	1,87	2,36	2,23	10,8	4,3	60,0	54,8	53,0	51,0	48,2	42,0	31,6	25,0	18,0	10,6
U 9...-300/6	U 9...-300/6 T	3	2,2	2,78	2,58	12,5	4,9	71,8	64,9	63,0	59,9	57,0	49,7	37,0	29,5	20,8	11,1
-	U 9...-400/7 T	4	3	-	3,1	-	5,9	82,0	77,2	74,9	72,0	68,7	59,9	44,2	33,9		
-	U 9...-450/8 T	4,5	3,37	-	3,6	-	6,5	93,5	88,5	86,3	82,6	79,0	69,5	52,0	41,7		
-	U 9...-500/9 T	4,5	3,37	-	4	-	7	105,4	99,1	96,5	92,5	88,3	77,3	57,5	46,9		
-	U 9...-550/10 T	5,5	4	-	4,4	-	8,2	117,6	111,2	108,7	104,5	99,9	87,8	66,2	53,4		

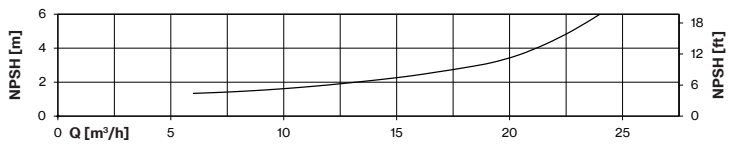
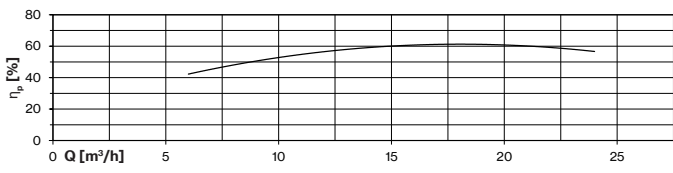
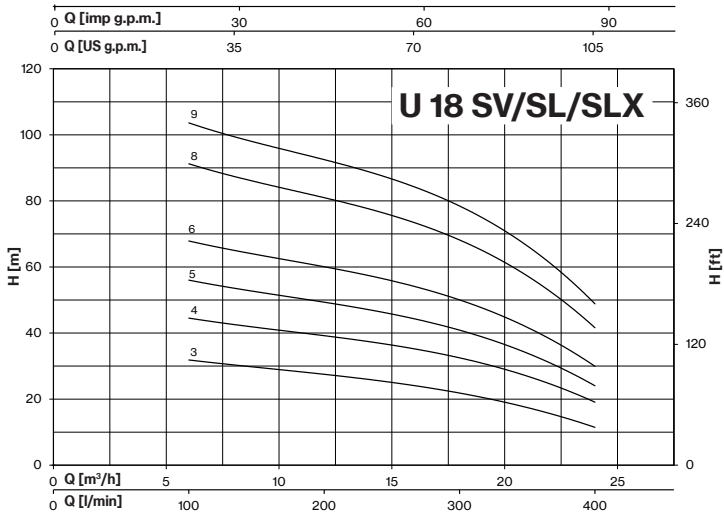
TYPE		P2		P1 (kW)		A		Q (m³/h - l/min)							
3~	3~					0	6	7,2	9,6	12	14,4	16,8	19,2	21,6	24
						0	100	120	160	200	240	280	320	360	400
		HP	kW	3~	3x400 V 50 Hz	H (m)									
U 18...-250/3 T	2,50	1,85	2,29	4,4	35,7	33,1	32,3	30,4	28,4	26,3	24,0	21,4	17,8	12,9	
U 18...-400/4 T	4	3	3,1	5,9	46,3	44,2	43,4	41,4	39,1	36,7	34,1	30,8	25,6	19,0	
U 18...-450/5 T	4,5	3,37	3,9	6,9	58,1	55,7	54,6	52,1	49,3	46,3	42,9	38,7	32,2	24,0	
U 18...-550/6 T	5,5	4	4,7	8,5	70,1	67,4	66,3	63,4	60,0	56,4	52,4	47,6	39,6	29,9	
U 18...-750/8 T	7,5	5,5	6,2	11,2	94,2	90,6	89,1	85,3	80,9	76,2	71,1	65,0	54,6	41,4	
U 18...-900/9 T	10	7,5	7	12,9	106,4	102,8	101,3	97,2	92,4	87,3	81,6	75,0	63,5	48,5	

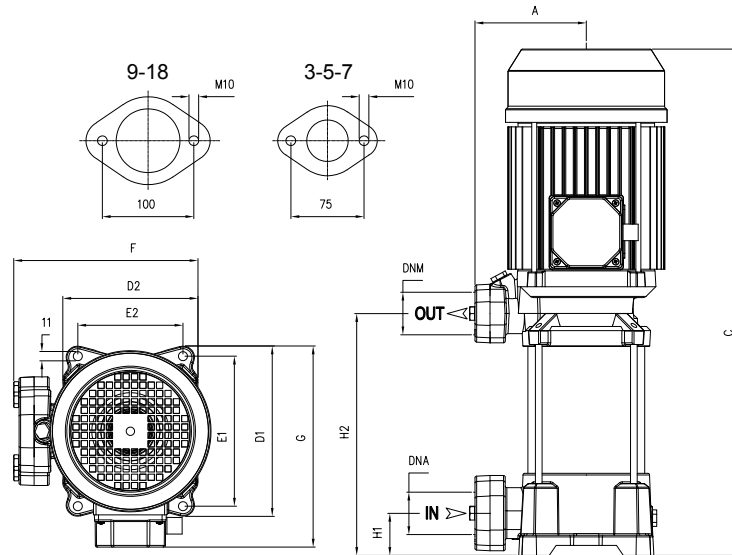


# ULTRA SV/SL/SLX



# ULTRA SV/SL/SLX

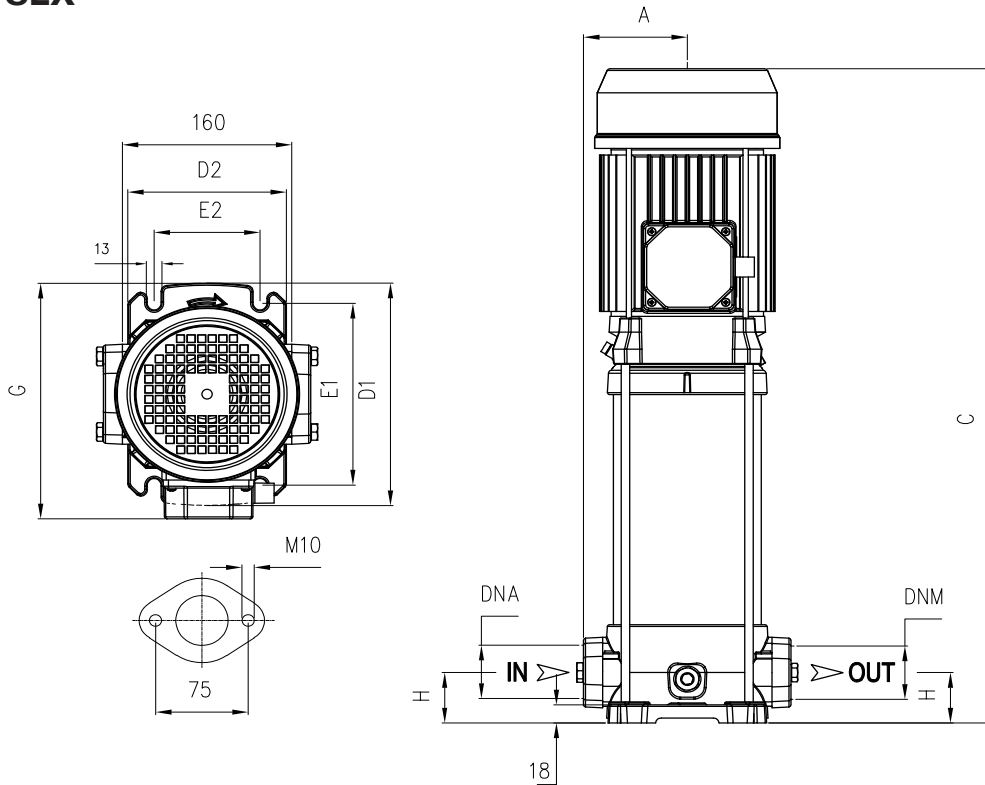




ULTRA SV	DIMENSIONS (mm)											Kg				
	A	C	D1	D2	E1	E2	F	G	H1	H2	DNA			DNM		
U 3SV-100/5	135	413	204	162	178,5	125	229	213	40	178	1" ¼ G	1" ¼ G	18,5			
U 3SV-120/6	135	437	204	162	178,5	125	229	213	40	202			19,5			
U 3SV-150/7	135	521	204	162	178,5	125	229	220	40	226			22,5			
U 3SV-180/8	135	545	204	162	178,5	125	229	220	40	250			24	T 23		
U 3SV-200/9	135	569	204	162	178,5	125	229	220	40	274			25,5	T 24,5		
U 3SV-250/10	135	593	204	162	178,5	125	229	220	40	298			26,5	T 24,5		
U 3SV-280/11	135	672 T 617	204	162	178,5	125	229	228 T 220	40	322			29	T 26,5		
U 3SV-300/12	135	696 T 641	204	162	178,5	125	229	228 T 220	40	346			29,5	T 28		
U 5SV-120/4	135	389	204	162	178,5	125	229	213	40	178			1" ¼ G	1" ¼ G	18,5	
U 5SV-150/5	135	473	204	162	178,5	125	229	220	40	202					21,5	
U 5SV-180/6	135	497	204	162	178,5	125	229	220	40	226	23	T 22				
U 5SV-200/7	135	521	204	162	178,5	125	229	220	40	250	24	T 23,5				
U 5SV-250/8	135	545	204	162	178,5	125	229	220	40	274	25,5	T 24,5				
U 5SV-280/9	135	624 T 569	204	162	178,5	125	229	228 T 220	40	298	28	T 25				
U 5SV-300/10	135	648 T 593	204	162	178,5	125	229	228 T 220	40	322	28,5	T 26,5				
U 5SV-350/11	135	672	204	162	178,5	125	229	228	40	346	35	T 29				
U 5SV-380/12	135	696	204	162	178,5	125	229	228	40	370	35,5					
U 7SV-180/4	135	422	204	162	178,5	125	229	220	40	178	1" ¼ G	1" ¼ G			22	T 21
U 7SV-250/5	135	473	204	162	178,5	125	229	220	40	202			24	T 23		
U 7SV-300/6	135	552 T 497	204	162	178,5	125	229	228 T 220	40	226			26	T 24,5		
U 7SV-350/7	135	575	204	162	178,5	125	229	228	40	250			30			
U 7SV-400/8	135	600	204	162	178,5	125	229	228	40	274			33,5			
U 7SV-450/9	135	653	204	162	178,5	125	235	243	40	301			38			
U 7SV-550/10	135	676	204	162	178,5	125	235	243	40	325			44,5			
U 9SV-200/4	135	473	204	162	178,5	125	229	220	40	202			1" ½ G	1" ¼ G	22,5	T 22
U 9SV-250/5	135	503	204	162	178,5	125	229	220	40	232					24,5	T 23,5
U 9SV-300/6	135	588 T 533	204	162	178,5	125	229	228 T 220	40	262					26,5	T 25
U 9SV-400/7	135	617	204	162	178,5	125	229	228	40	292	33,5					
U 9SV-450/8	135	677	204	162	178,5	125	235	243	40	325	38,0					
U 9SV-500/9	135	707	204	162	178,5	125	235	243	40	355	39,0					
U 9SV-550/10	135	737	204	162	178,5	125	235	243	40	385	43,5					
U 18SV-250/3 T	135	481	204	162	178,5	125	229	220	50	211	2" G	1" ½ G			24	
U 18SV-400/4 T	135	573	204	162	178,5	125	229	228	50	248					33,5	
U 18SV-450/5 T	135	640	204	162	178,5	125	235	243	50	289					38,5	
U 18SV-550/6 T	135	678	204	162	178,5	125	235	243	50	326			43,0			
U 18SV-750/8 T	135	815	204	162	178,5	125	255	253	50	401			54,5			
U 18SV-900/9 T	135	852	204	162	178,5	125	255	253	50	439			60,5			

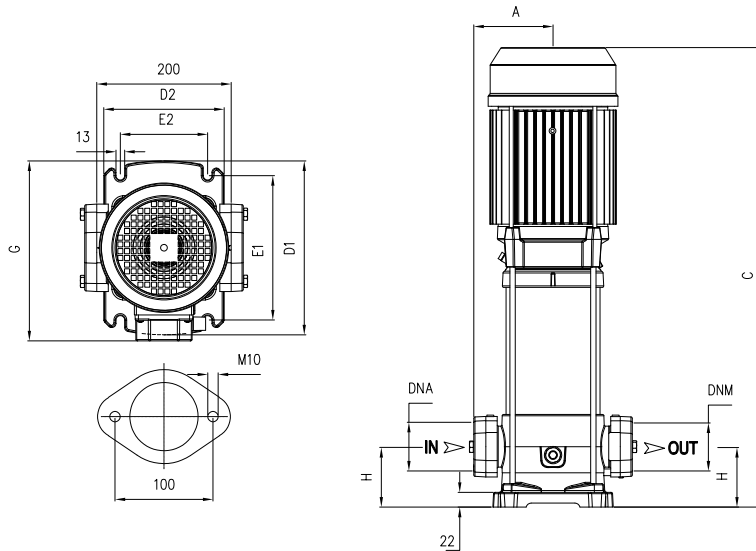


# ULTRA SL/SLX



ULTRA SL/SLX	DIMENSIONS (mm)										Kg					
	A	C	D1	D2	E1	E2	G	H	DNA	DNM	SL		SLX			
U 3SL/SLX-100/5	98	429	220	150	180	100	228	50	1" ¼ G	1" ¼ G	19	19				
U 3SL/SLX-120/6	98	453	220	150	180	100	228	50			21,5	20				
U 3SL/SLX-150/7	98	537	220	150	180	100	228	50			24,5	23,5				
U 3SL/SLX-180/8	98	561	220	150	180	100	228	50			26	T 25	25	T 24		
U 3SL/SLX-200/9	98	585	220	150	180	100	228	50			27,5	T 25	25	T 24		
U 3SL/SLX-250/10	98	609	220	150	180	100	228	50			29	T 28	28	T 27		
U 3SL/SLX-280/11	98	688 T 633	220	150	180	100	236 T 228	50			31	T 28,5	30	T 27,5		
U 3SL/SLX-300/12 T	98	712 T 657	220	150	180	100	236 T 228	50			32	T 30	30,5	T 29		
U 5SL / SLX -120/4	98	405	220	150	180	100	221	50			1" ¼ G	1" ¼ G	20	19		
U 5SL / SLX -150/5	98	489	220	150	180	100	228	50					23,5	22,5	T 22	
U 5SL / SLX -180/6	98	513	220	150	180	100	228	50	25	T 24			23,5	T 22,5		
U 5SL / SLX -200/7	98	537	220	150	180	100	228	50	26	T 25,5			25	T 24		
U 5SL / SLX -250/8	98	561	220	150	180	100	228	50	27,5	T 26,5			26,5	T 25,5		
U 5SL / SLX -280/9	98	640 T 585	220	150	180	100	236 T 228	50	30	T 27,5			29	T 26,5		
U 5SL / SLX -300/10	98	664 T 609	220	150	180	100	236 T 228	50	30,5	T 29			29,5	T 27,5		
U 5SL / SLX -350/11	98	687	220	150	180	100	236	50	37,5	T 31,5			36,5	T 30		
U 5SL / SLX -380/12 T	98	711	220	150	180	100	236	50	38	37						
U 7SL / SLX -180/4	98	465	220	150	180	100	228	50	1" ¼ G	1" ¼ G			24	T 23	22,5	T 21,5
U 7SL / SLX -250/5	98	489	220	150	180	100	228	50			26	T 25	25	T 24		
U 7SL / SLX -300/6	98	568 T 513	220	150	180	100	236 T 228	50			28,5	T 26,5	27,5	T 25		
U 7SL / SLX -350/7 T	98	590	220	150	180	100	236	50			32	31				
U 7SL / SLX -400/8 T	98	614	220	150	180	100	236	50			36	34,5				
U 7SL / SLX -450/9 T	98	668	220	150	180	100	251	50			40,5	39				
U 7SL / SLX -550/10 T	98	692	220	150	180	100	251	50			47,0	43,5				





ULTRA SL/SLX	DIMENSIONS (mm)										Kg			
	A	C	D1	D2	E1	E2	G	H	DNA	DNM	SL		SLX	
U 9SL / SLX -200/4	118	520	260	180	215	130	248	80	1" ½ G	1" ½ G	29,5	T 28,5	28	T 27
U 9SL / SLX -250/5	118	550	260	180	215	130	248	80			31	T 30	29,5	T 28,5
U 9SL / SLX -300/6	118	635 T 580	260	180	215	130	256 T 248	80			33,5	T 31,5	31,5	T 30
U 9SL / SLX -400/7 T	118	663	260	180	215	130	256	80			40		38,5	
U 9SL / SLX -450/8 T	118	723	260	180	215	130	271	80			44,5		42,5	
U 9SL / SLX -500/9 T	118	763	260	180	215	130	271	80			45,5		43,5	
U 9SL / SLX -550/10 T	118	783	260	180	215	130	271	80			51,5		43,5	
U 18SL/SLX-250/3 T	118	482	260	180	215	130	251	90	2" G	2" G	29,5		28	
U 18SL/SLX-400/4 T	118	603	260	180	215	130	257	90			39		37,5	
U 18SL/SLX-450/5 T	118	680	260	180	215	130	271	90			44,0		42,0	
U 18SL/SLX-550/6 T	118	718	260	180	215	130	271	90			50,0		47,0	
U 18SL/SLX-750/8 T	118	855	260	180	215	130	280	90			59,0		57,0	
U 18SL/SLX-900/9 T	118	893	260	180	215	130	280	90			65,0		58,0	

MODEL	LOTS			
	TRUCK		CONTAINER	
	PALLET (cm)	N° pumps	PALLET (cm)	N° pumps
U 3SV-100/5-200/9	80×120×150	42	80×120×175	49
U 3SV-250/10-300/12	80×120×155	30	80×120×180	35
U 3SV-300/12 T	80×120×150	42	80×120×175	49
U 5SV-120/4-250/8	80×120×150	42	80×120×175	49
U 5SV-280/9 T-300/10 T	80×120×150	42	80×120×175	49
U 5SV-280/9-300/10	80×120×155	30	80×120×180	35
U 5SV-350/11-380/12 T	80×120×155	30	80×120×180	35
U 7SV-180/4-350/7 T	80×120×150	42	80×120×175	49
U 7SV-400/8 T	80×120×155	30	80×120×180	35
U 7SV-450/9 T-550/10 T	85×110×125	20	85×110×150	24
U 9SV-200/4	80×120×150	42	80×120×175	49
U 9SV-250/5-300/6 T	80×120×150	42	80×120×175	49
U 9SV-300/6-400/7 T	80×120×155	30	80×120×180	35
U 9SV-450/8 T-550/10 T	85×110×125	20	85×110×150	24
U 18SV-250/3 T-400/4 T	80×120×150	42	80×120×175	49
U 18SV-450/5 T-550/6 T	85×110×125	20	85×110×150	24
U 18SV-750/8 T-900/9 T	100×120×150	12	100×120×150	12

MODEL	LOTS			
	TRUCK		CONTAINER	
	PALLET (cm)	N° pumps	PALLET (cm)	N° pumps
U 3SL/SLX-100/5-180/8	85×110×150	36	85×110×170	42
U 3SL/SLX-200/9-300/12	80×120×150	30	80×120×170	35
U 5SL/SLX-120/4-250/8	85×110×150	36	85×110×170	42
U 5SL/SLX-280/9-380/12 T	80×120×150	30	80×120×170	35
U 7SL/SLX-180/4-300/6 T	85×110×150	36	85×110×170	42
U 7SL/SLX-300/6-400/8 T	80×120×150	30	80×120×170	35
U 7SL/SLX-450/9 T-550/10 T	80×120×150	30	80×120×170	35
U 9SL/SLX-200/4-400/7 T	80×120×155	25	80×120×185	30
U 9SL/SLX-450/8 T-550/10 T	85×110×150	20	85×110×150	20
U 18SL/SLX-250/3 T-400/4 T	80×120×155	25	80×120×185	30
U 18SL/SLX-450/5 T-550/6 T	85×110×150	20	85×110×150	20
U 18SL/SLX-750/8 T-900/6 T	85×110×150	20	85×110×150	20

# ULTRA SLG/SLXG

Multistage Vertical

Stainless steel multistage vertical pumps. For non-loaded clean fluids, pressurizing system, irrigation, drinking and glycol water, water treatment, food industry, heating and air conditioning, washing system.



ULTRA 3-5-7-9 SLG



ULTRA 3-5-7 SLXG



ULTRA 9 SLXG



## Construction features

<b>Pump body</b>	cast iron (SLG); stainless steel AISI 304 (SLXG)
<b>Motor bracket</b>	cast iron
<b>Impellers, diffusers, shell, motor shaft</b>	stainless steel AISI 304
<b>Mechanical seal</b>	ceramic-graphite-EPDM graphite-silicon carbide-EPDM
<b>Intermediate shaft guiding stage bush</b>	ceramic-tungsten carbide
<b>Ambient temperature</b>	max 40 °C
<b>Liquid temperature</b>	-15 ÷ +110 °C
<b>Max operating pressure</b>	25 bar
<b>Pump body gasket</b>	EPDM

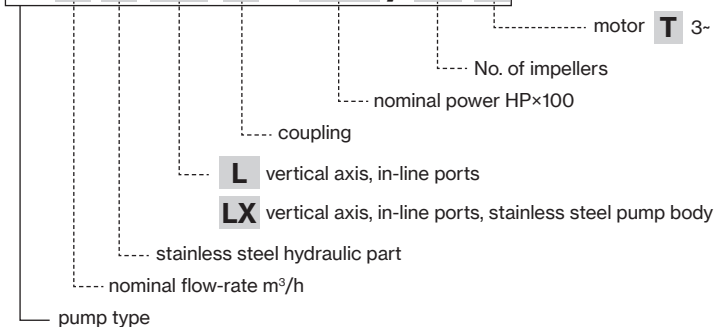
## Motor

<b>2 pole induction motor</b>	3- 230/400V - 50Hz P ≤ 4kW 3- 400/690V - 50Hz P > 4kW
<b>Insulation class</b>	F
<b>Protection degree</b>	IPX5



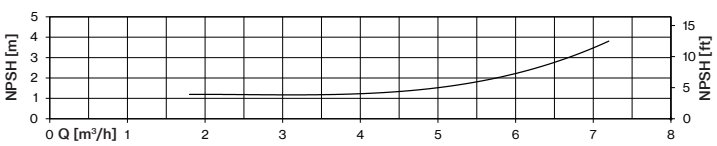
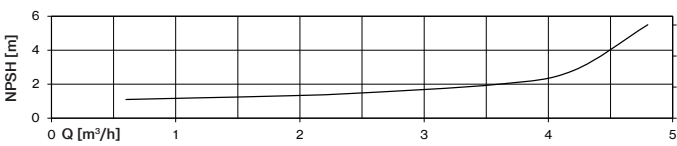
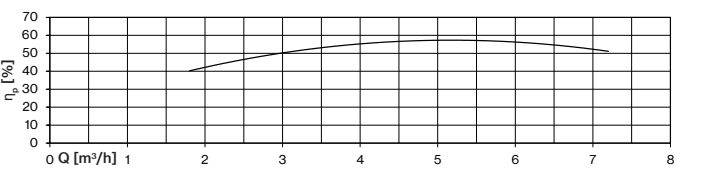
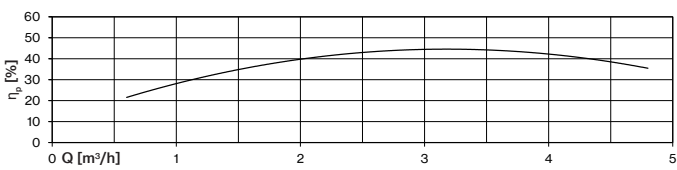
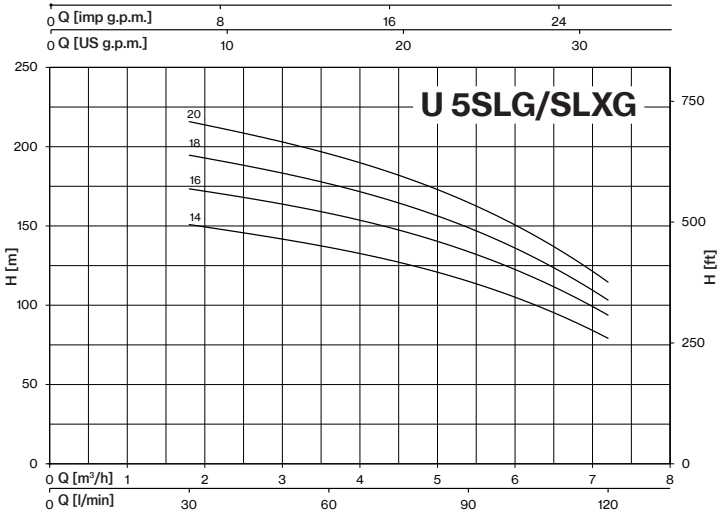
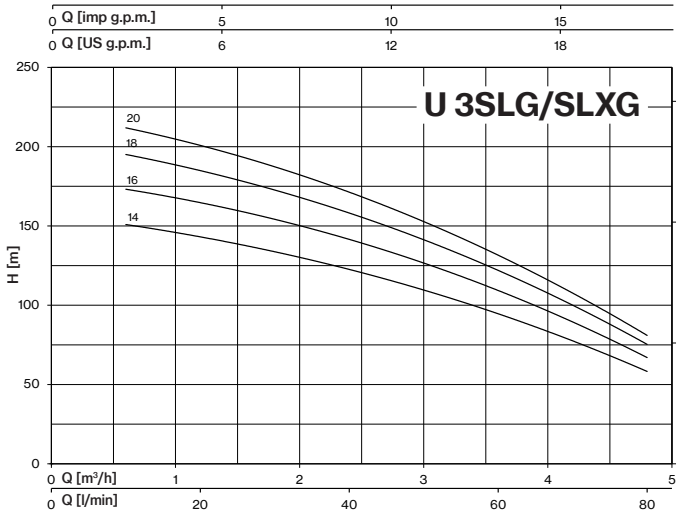
MODEL	LOTS			
	TRUCK		CONTAINER	
	PALLET (cm)	N° pumps	PALLET (cm)	N° pumps
U 3SLG/SLXG-350/14 T-380/16 T	100×120×150	12	100×120×150	12
U 3SLG/SLXG-400/18 T-450/20 T	100×135×150	12	100×135×150	12
U 5SLG/SLXG-400/14 T-450/16 T	100×120×150	12	100×120×150	12
U 5SLG/SLXG-550/18 T-600/20 T	100×135×150	12	100×135×150	12
U 7SLG/SLXG-750/12 T-800/14 T	100×120×150	12	100×120×150	12
U 7SLG/SLXG-900/16 T-1000/20 T	100×135×150	12	100×135×150	12
U 9SLG/SLXG-750/12 T-800/14 T	100×120×150	12	100×120×150	12
U 9SLG/SLXG-900/16 T-1000/20 T	100×135×150	12	100×135×150	12

## U 3 S LX G - 350 / 14 T





# ULTRA SLG/SLXG

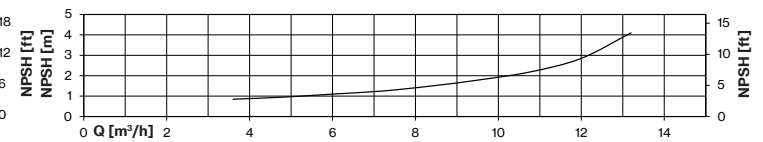
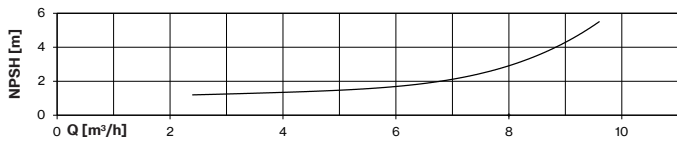
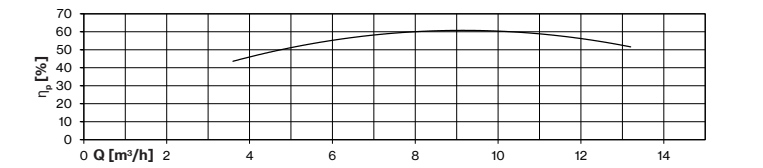
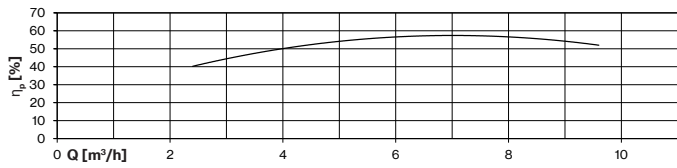
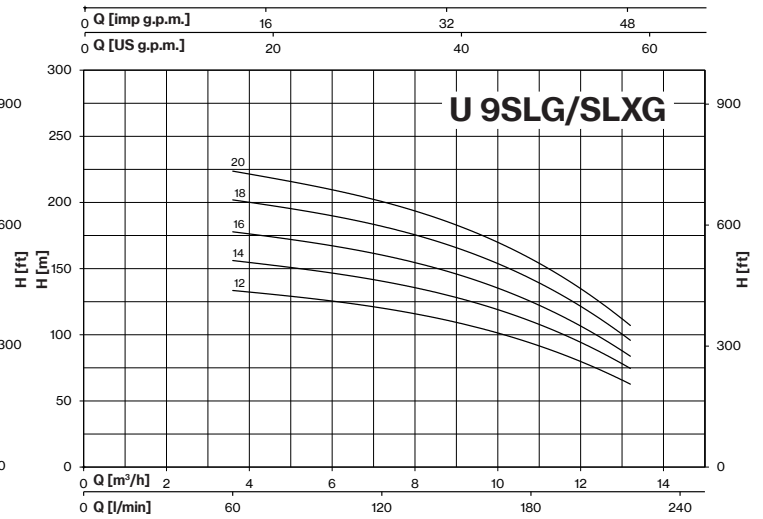
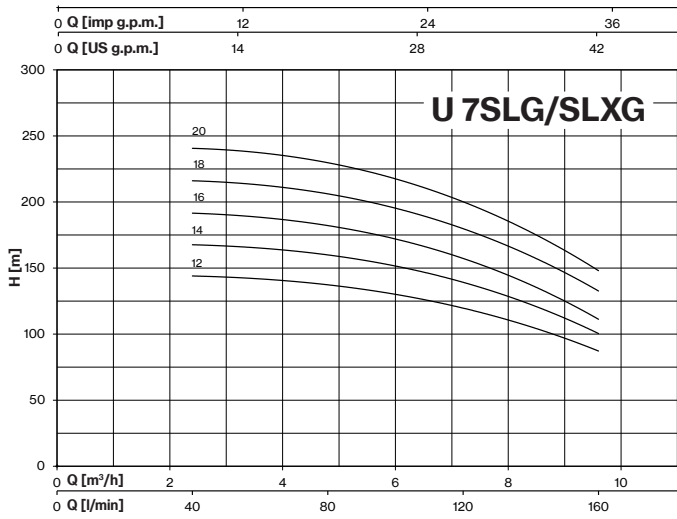


TYPE	P2		P1 (kW)	AMPERE 3~	Q (m³/h - l/min)						
					0 0,6 1,2 1,8 2,4 3,6 4,8						
					0 10 20 30 40 60 80						
3~	HP	kW	3~	3x400 V 50 Hz	H (m)						
					U 3...-350/14 T	3	2,2	2,5	4,7	154,8	150,9
U 3...-380/16 T	4	3	2,9	5,5	177,5	173,2	164,6	154,5	141,3	109,4	67,0
U 3...-400/18 T	4	3	3,2	6,0	200,3	195,1	184,9	172,8	158,0	122,1	75,3
U 3...-450/20 T	4	3	3,6	6,5	218,3	211,9	200,6	187,4	171,4	131,5	81,0

TYPE	P2		P1 (kW)	AMPERE 3~	Q (m³/h - l/min)						
					0 1,8 2,4 3,6 4,8 6 7,2						
					0 30 40 60 80 100 120						
3~	HP	kW	3~	3x400 V 50 Hz	H (m)						
					U 5...400/14T	4	3	3,5	6,3	159,2	150,7
U 5...450/16T	5,5	4	4,1	7,9	182,0	173,2	169,1	158,0	142,9	122,9	93,6
U 5...550/18T	5,5	4	4,5	8,3	204,4	194,4	189,5	176,5	159,6	136,3	103,2
U 5...600/20T	5,5	4	5,0	8,9	226,7	215,5	210,0	195,5	176,3	151,1	114,5



# ULTRA SLG/SLXG

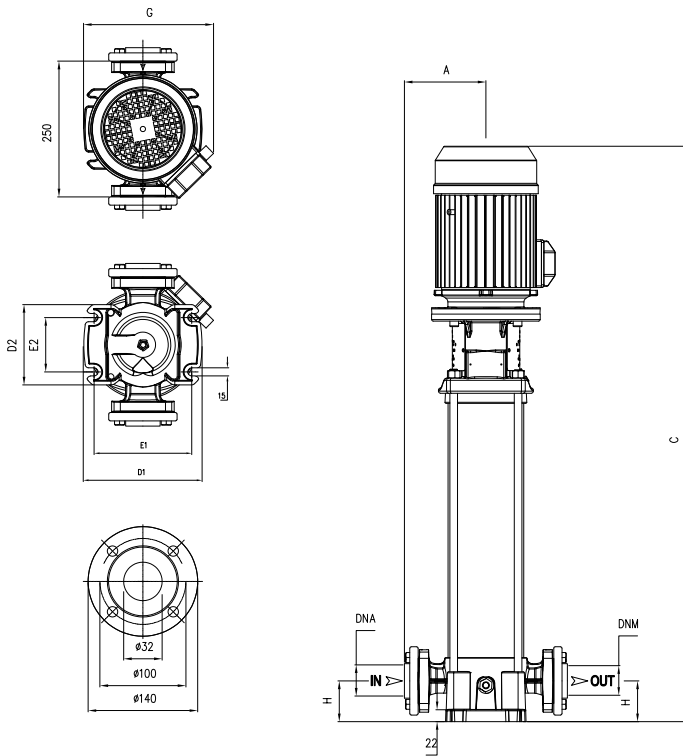


TYPE	P2		P1 (kW)	A	Q (m³/h - l/min)							
					3~							
					0	2,4	3,6	4,8	6	7,2	9,6	
3~	HP	kW	3~	3x400V 50Hz	0	40	60	80	100	120	160	
	H (m)											
U 7...750/12T	7,5	5,5	5,1	9,9	143,7	143,7	142,6	137,0	129,6	119,8	87,0	
U 7...800/14T	7,5	5,5	5,9	10,9	167,6	167,3	165,9	159,6	151,0	139,5	100,3	
U 7...900/16T	7,5	5,5	6,7	12,0	191,5	191,2	189,3	181,7	171,5	157,7	111,1	
U 7...950/18T	10	7,5	7,4	12,4	215,5	215,7	213,9	205,8	194,7	179,8	132,3	
U 7...1000/20T	10	7,5	8,2	13,5	240,3	240,2	238,4	229,3	216,8	200,3	147,7	

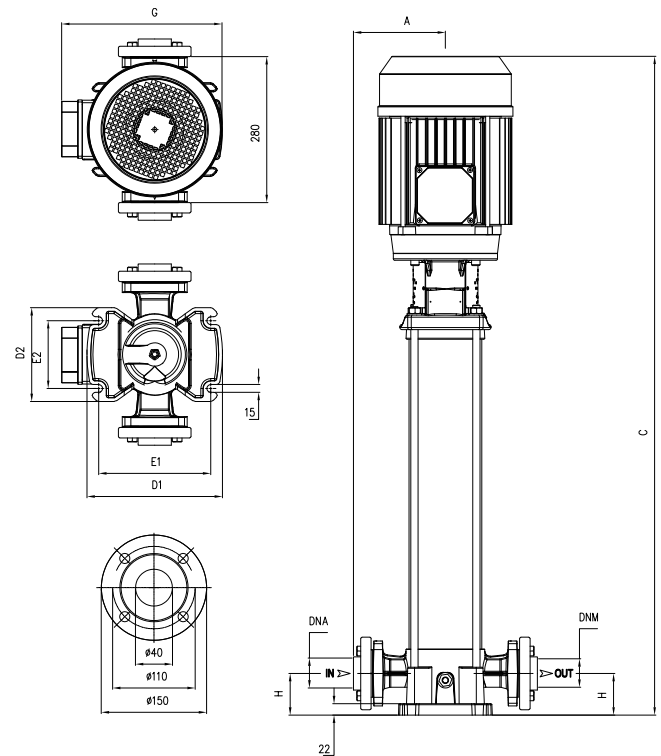
TYPE	P2		P1 (kW)	A	Q (m³/h - l/min)							
					3~							
					0	3,6	4,8	6	7,2	9,6	12	13,2
3~	HP	kW	3~	3x400V 50Hz	0	60	80	100	120	160	200	220
	H (m)											
U 9...750/12T	7,5	5,5	5,3	10,1	141,3	133,2	130,4	125,4	119,7	105,1	79,6	62,7
U 9...800/14T	7,5	5,5	6,1	11,1	165,5	155,7	152,6	146,5	139,9	123,4	94,0	74,6
U 9...900/16T	10	7,5	6,9	12,8	188,7	177,6	173,6	167,1	159,7	140,4	106,2	83,9
U 9...950/18T	10	7,5	7,6	12,7	213,8	201,6	197,3	189,6	181,2	159,9	121,0	96,0
U 9...1000/20T	10	7,5	8,5	13,9	236,7	223,1	218,3	209,3	199,8	176,1	134,5	107,0



### U 3-5-7 SLG/SLXG




### U 9 SLG/SLXG




TYPE	DIMENSIONS (mm)										Kg	
	A	C	D1	D2	E1	E2	G	H	DNA	DNM	SLG	SLXG
U 3SLG-350/14T	155	932	220	150	180	100	236	75				49
U 3SLG-380/16T	155	977	220	150	180	100	236	75				53
U 3SLG-400/18T	155	1025	220	150	180	100	236	75	1" 1/4 G	1" 1/4 G		55
U 3SLG-450/20T	155	1098	220	150	180	100	251	75				63
U 3SLXG-350/14T	155	932	260	180	215	130	236	75				49
U 3SLXG-380/16T	155	977	260	180	215	130	236	75				53
U 3SLXG-400/18T	155	1025	260	180	215	130	236	75	1" 1/4 G	1" 1/4 G		55
U 3SLXG-450/20T	155	1098	260	180	215	130	251	75				62,5
U 5SLG-400/14 T	155	932	220	150	180	100	251	75				51,5
U 5SLG-450/16 T	155	1000	220	150	180	100	251	75	1" 1/4 G	1" 1/4 G		63,5
U 5SLG-550/18 T	155	1048	220	150	180	100	251	75				65,5
U 5SLG-600/20 T	155	1098	220	150	180	100	260	75				67
U 5SLXG-400/14 T	155	932	260	180	215	130	251	75				51,5
U 5SLXG-450/16 T	155	1000	260	180	215	130	251	75	1" 1/4 G	1" 1/4 G		63,5
U 5SLXG-550/18 T	155	1048	260	180	215	130	251	75				65,5
U 5SLXG-600/20 T	155	1098	260	180	215	130	260	75				66,5
U 7SLG-750/12 T	155	940	220	150	180	100	260	75				68,5
U 7SLG-800/14 T	155	988	220	150	180	100	260	75				70
U 7SLG-900/16 T	155	1036	220	150	180	100	260	75	1" 1/4 G	1" 1/4 G		77
U 7SLG-950/18 T	155	1081	220	150	180	100	288	75				85,5
U 7SLG-1000/20 T	155	1128	220	150	180	100	288	75				86,5
U 7SLXG-750/12 T	155	940	260	180	215	130	260	75				68,5
U 7SLXG-800/14 T	155	988	260	180	215	130	260	75				70
U 7SLXG-900/16 T	155	1036	260	180	215	130	260	75	1" 1/4 G	1" 1/4 G		77
U 7SLXG-950/18 T	155	1081	260	180	215	130	288	75				85,5
U 7SLXG-1000/20 T	155	1128	260	180	215	130	288	75				86
U 9...-750/12 T	170	1027	260	180	215	130	280	80				72
U 9... -800/14 T	170	1088	260	180	215	130	280	80				73,5
U 9... -900/16 T	170	1147	260	180	215	130	280	80	1" 1/2 G	1" 1/2 G	81	80
U 9... -950/18 T	170	1205	260	180	215	130	308	80			89	88,5
U 9... -1000/20 T	170	1263	260	180	215	130	308	80				91



# ULTRA V-SV-L-SL-LG-SLG Serie-Mechanical seal and bearings

MECHANICAL SEAL	PUMP MODEL	SHAFT Ø		STANDARD MATERIAL	OPTIONAL
	U3-100/5, U3-120/6, U5-120/4, U5-150/5, U5-180/6, U7-180/4, U7-250/5, U7-300/6, U9-200/4, U9-250/5, U18-250/3, U18-400/4	14mm / S	<b>Rotating face</b> <b>Stationary face</b> <b>Elastomer</b>	Graphite Ceramic EPDM	SiC SiC EPDM
	U3-150/7, U3-180/8, U3-200/9, U3-250/10, U3-280/11, U3-300/12, U5-200/7, U5-250/8, U5-280/9, U5-300/10, U5-350/11, U5-380/12, U7-350/7, U7-400/8, U7-450/9, U7-550/10, U9-300/6, U9-400/7, U9-450/8, U9-500/9, U9-550/10	14mm	<b>Rotating face</b> <b>Stationary face</b> <b>Elastomer</b>	Graphite SiC EPDM	SiC SiC EPDM
	U18-450/5, U18-550/6, U18-750/8, U18-900/9, U18-920/10, U18-1000/11	14mm / L	<b>Rotating face</b> <b>Stationary face</b> <b>Elastomer</b>	Graphite SiC EPDM	SiC SiC EPDM
	U3-350/14, U3-380/16, U3-400/18, U3-450/20, U5-400/14, U5-450/16, U5-550/18, U5-600/20, U7-750/12, U7-800/14, U7-900/16, U7-950/18, U7-1000/20, U9-750/12, U9-800/14, U9-900/16, U9-950/18, U9-1000/20	14mm / Balanced seal	<b>Rotating face</b> <b>Stationary face</b> <b>Elastomer</b>	Tungsten carbide Graphite EPDM	- - -

BEARINGS	PUMP MODEL	TYPE	
	U3-100/5, U3-120/6, U5-120/4	6202-ZZ	6302-ZZ C3
	U3-150/7, U3-180/8, U3-200/9, U3-250/10, 3- U3-280/11, 3- U3-300/12, U5-150/5, U5-180/6, U5-200/7, U5-250/8, 3- U5-280/9, 3- U5-300/10, U7-180/4, U7-250/5, 3- U7-300/6, U9-200/4, U9-250/5, 3- U9-300/6, U18-250/3	6204-ZZ	6304-ZZ C3
	1- U3-280/11, 1- U3-300/12, 1- U5-280/9, 1- U5-300/10, U5-350/11, U5-380/12, 1- U7-300/6, U7-350/7, U7-400/8, 1- U9-300/6, U9-400/7, U18-400/4, U3-350/14, U3-380/16, U3-400/18, U5-400/14	6203-ZZ	6305-ZZ C3
	U7-450/9, U7-550/10, U9-450/8, U9-500/9, U9-550/10, U18-450/5, U18-550/6	6204-ZZ	6306-ZZ-C3
	U3-450/20, U5-450/16, U5-550/18, U5-600/20	6204-ZZ	3206-ZZ C3
	U7-750/12, U7-800/14, U7-900/16, U9-750/12, U9-800/14, U9-900/16, U18-750/8, U18-900/9, U18-920/10	6206-ZZ C3	3306-ZZ C3
	U7-950/18, U7-1000/20, U9-950/18, U9-1000/20, U18-1000/11	6206-ZZ C3	3308-ZZ C3



# ULTRA HX

## Multistage Vertical

Stainless steel multistage vertical pumps. Suitable for clean non-loaded fluids, pressurizing system, irrigation, drinking and glycol water, water treatment, food industry, heating and air conditioning, washing system.



### Construction features

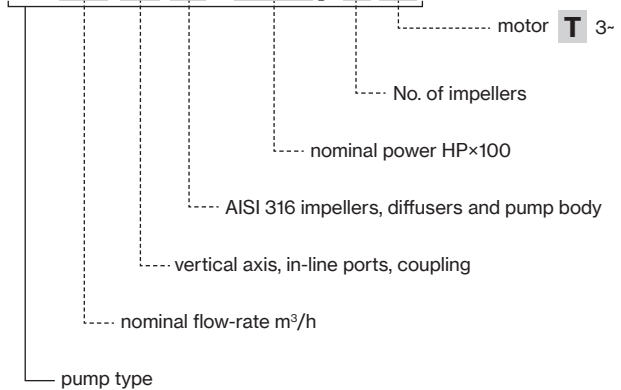
<b>Pump body</b>	EN 1.4401 / AISI 316
<b>Motor bracket</b>	cast iron
<b>Impellers, diffusers, shell, pump shaft</b>	EN 1.4401 / AISI 316
<b>Mechanical seal</b>	silicon carbide-graphite-EPDM
<b>Ambient temperature</b>	max 40 °C
<b>Liquid temperature</b>	-15 ÷ +120 °C (Max 85° for domestic use)
<b>Max operating pressure</b>	max 26 bar
<b>Pump body gasket</b>	EPDM

### Motor

<b>2 pole induction motor</b>	3- 230/400V - 50Hz P ≤ 4kW, size B14 V1 3- 400/690V - 50Hz P > 4kW, size B5 V1 IE3 efficiency class
<b>Insulation class</b>	F
<b>Protection degree</b>	IP55



### U 18 H X - 100 / 1 T

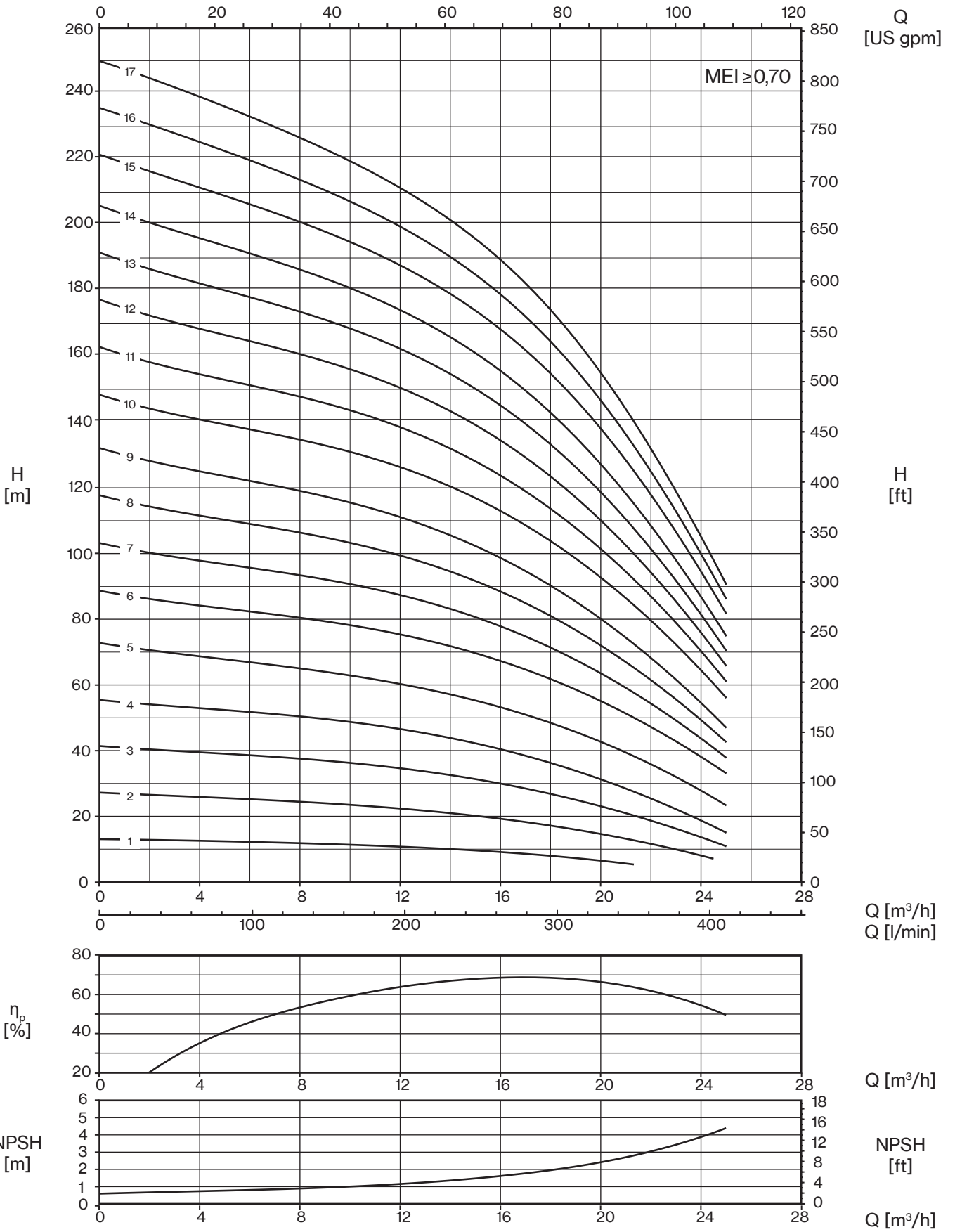


# ULTRA 18-22

TYPE	P2		Q (l/min - m <sup>3</sup> /h - US gpm)													
			0	133,3	150	166,7	183,3	200	216,7	233,3	266,7	300	350	400		
3~	HP		kW		H (m)											
					0	8	9	10	11	12	13	14	16	18	21	24
					0	35,2	39,6	44,0	48,4	52,8	57,2	61,6	70,3	79,1	92,3	105,5
U 18HX-100/1 T	1	0,75	13,0	11,7	11,6	11,4	11,1	10,8	10,4	10,1	9,1	7,9	5,6			
U 18HX-200/2 T	2	1,5	27,1	24,3	23,9	23,5	22,9	22,3	21,7	21,1	19,3	17,2	13,1	8,0		
U 18HX-300/3 T	3	2,2	41,2	37,4	36,7	36,1	35,3	34,4	33,6	32,7	30,1	27,1	20,8	13,5		
U 18HX-400/4 T	4	3	55,1	50,2	49,3	48,5	47,5	46,3	45,2	44,0	40,6	36,6	28,2	18,5		
U 18HX-550/5 T	5,5	4	72,3	64,7	63,7	62,6	61,5	60,1	58,5	57,2	53,6	48,7	38,9	27,6		
U 18HX-750/6 T	7,5	5,5	88,0	80,1	78,9	77,7	76,4	74,9	73,3	71,7	68,0	62,4	51,3	37,5		
U 18HX-750/7 T	7,5	5,5	102,5	93,0	91,5	90,1	88,6	86,8	84,9	83,0	78,6	72,0	59,1	43,0		
U 18HX-1000/8 T	10	7,5	116,9	105,9	104,2	102,6	100,8	98,8	96,5	94,4	89,3	81,7	66,9	48,5		
U 18HX-1000/9 T	10	7,5	131,2	118,5	116,6	114,8	112,7	110,4	107,9	105,5	99,7	91,1	74,3	53,6		
U 18HX-1500/10 T	15	11	147,3	134,1	132,1	130,1	127,9	125,5	122,8	120,2	114,1	104,8	86,3	63,4		
U 18HX-1500/11 T	15	11	161,7	147,1	144,9	142,7	140,3	137,6	134,6	131,7	125,0	114,7	94,4	69,2		
U 18HX-1500/12 T	15	11	176,2	160,0	157,6	155,2	152,6	149,6	146,3	143,2	135,7	124,5	102,3	74,8		
U 18HX-1500/13 T	15	11	190,6	172,9	170,3	167,7	164,8	161,6	158,0	154,6	146,4	134,2	110,1	80,3		
U 18HX-1500/14 T	15	11	204,9	185,7	182,9	180,0	176,9	173,4	169,5	165,9	157,0	143,8	117,8	85,7		
U 18HX-2000/15 T	20	15	220,7	200,2	197,2	194,2	190,8	187,1	183,0	179,0	169,7	155,7	127,8	93,4		
U 18HX-2000/16 T	20	15	235,1	213,1	209,8	206,6	203,0	199,0	194,6	190,4	180,3	165,3	135,6	98,9		
U 18HX-2000/17 T	20	15	249,4	225,9	222,4	219,0	215,1	210,9	206,1	201,6	190,9	174,8	143,3	104,2		

TYPE	P2		Q (l/min - m <sup>3</sup> /h - US gpm)													
			0	166,7	183,3	200	216,7	233,3	266,7	300	350	400	433,3	466,7		
3~	HP		kW		H (m)											
					0	10	11	12	13	14	16	18	21	24	26	28
					0	44,0	48,4	52,8	57,2	61,6	70,3	79,1	92,3	105,5	114,3	123,1
U 22HX-200/1 T	2	1,1	14,3	12,9	12,8	12,5	12,2	11,9	11,4	10,5	9,0	6,7	4,0			
U 22HX-300/2 T	3	2,2	29,7	26,9	26,6	26,3	26,0	25,5	24,5	23,3	20,7	17,1	13,9	10,6		
U 22HX-400/3 T	4	3	45,0	40,9	40,4	39,9	39,2	38,5	37,2	35,5	31,6	25,8	21,5	16,6		
U 22HX-550/4 T	5,5	4	62,2	55,7	54,9	54,2	53,7	52,8	50,9	49,0	44,0	36,8	31,1	25,2		
U 22HX-750/5 T	7,5	5,5	78,6	70,8	69,9	69,0	68,5	67,4	65,1	62,8	56,9	47,9	41,0	33,5		
U 22HX-1000/6 T	10	7,5	94,2	86,2	85,1	84,1	83,2	82,2	79,7	77,3	70,0	59,4	51,3	42,0		
U 22HX-1000/7 T	10	7,5	109,5	99,8	98,5	97,4	96,3	95,1	92,2	89,2	80,6	68,2	58,7	47,9		
U 22HX-1500/8 T	15	11	126,5	116,1	114,7	113,5	112,3	111,0	107,9	104,8	95,4	81,4	70,7	58,3		
U 22HX-1500/9 T	15	11	142,0	130,2	128,6	127,2	125,9	124,4	120,8	117,3	106,7	90,8	78,7	64,8		
U 22HX-1500/10 T	15	11	157,5	144,2	142,4	140,8	139,3	137,7	133,6	129,6	117,7	100,1	86,6	71,1		
U 22HX-2000/11 T	20	15	174,0	159,4	157,4	155,7	154,1	152,3	147,9	143,5	130,5	111,2	96,4	79,3		
U 22HX-2000/12 T	20	15	189,5	173,4	171,2	169,3	167,6	165,5	160,7	155,8	141,6	120,4	104,2	85,6		
U 22HX-2000/13 T	20	15	204,9	187,3	184,9	182,8	180,9	178,7	173,4	168,1	152,5	129,5	111,9	91,7		
U 22HX-2000/14 T	20	15	220,3	201,1	198,5	196,2	194,1	191,7	186,0	180,2	163,2	138,4	119,4	97,7		
U 22HX-2500/15 T	25	18,5	237,4	218,1	215,4	213,1	211,0	208,6	202,6	196,8	179,4	153,1	133,0	109,7		
U 22HX-2500/16 T	25	18,5	252,9	232,2	229,4	226,9	224,6	222,0	215,6	209,4	190,7	162,7	141,1	116,3		
U 22HX-2500/17 T	25	18,5	268,5	246,3	243,3	240,6	238,2	235,4	228,6	221,9	202,0	172,1	149,2	122,8		

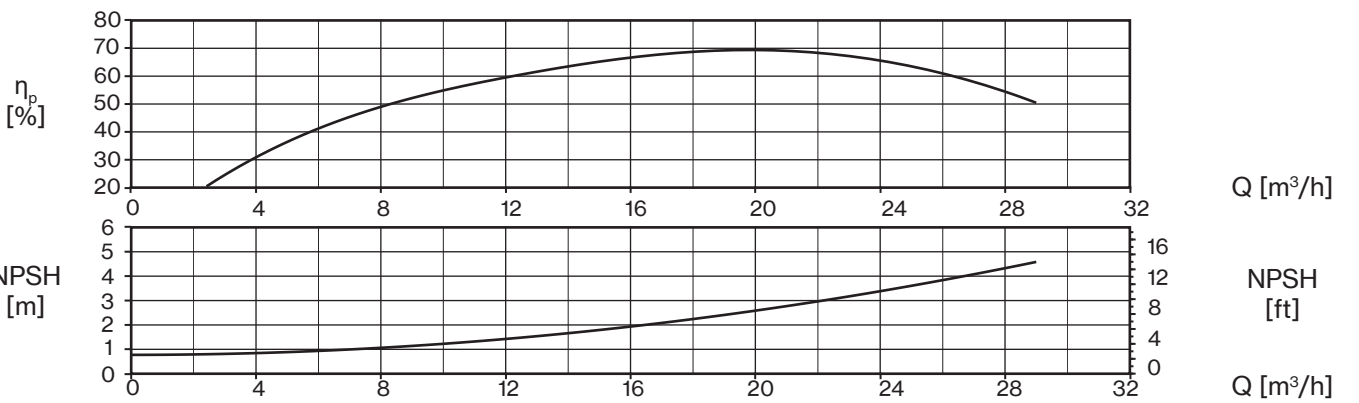
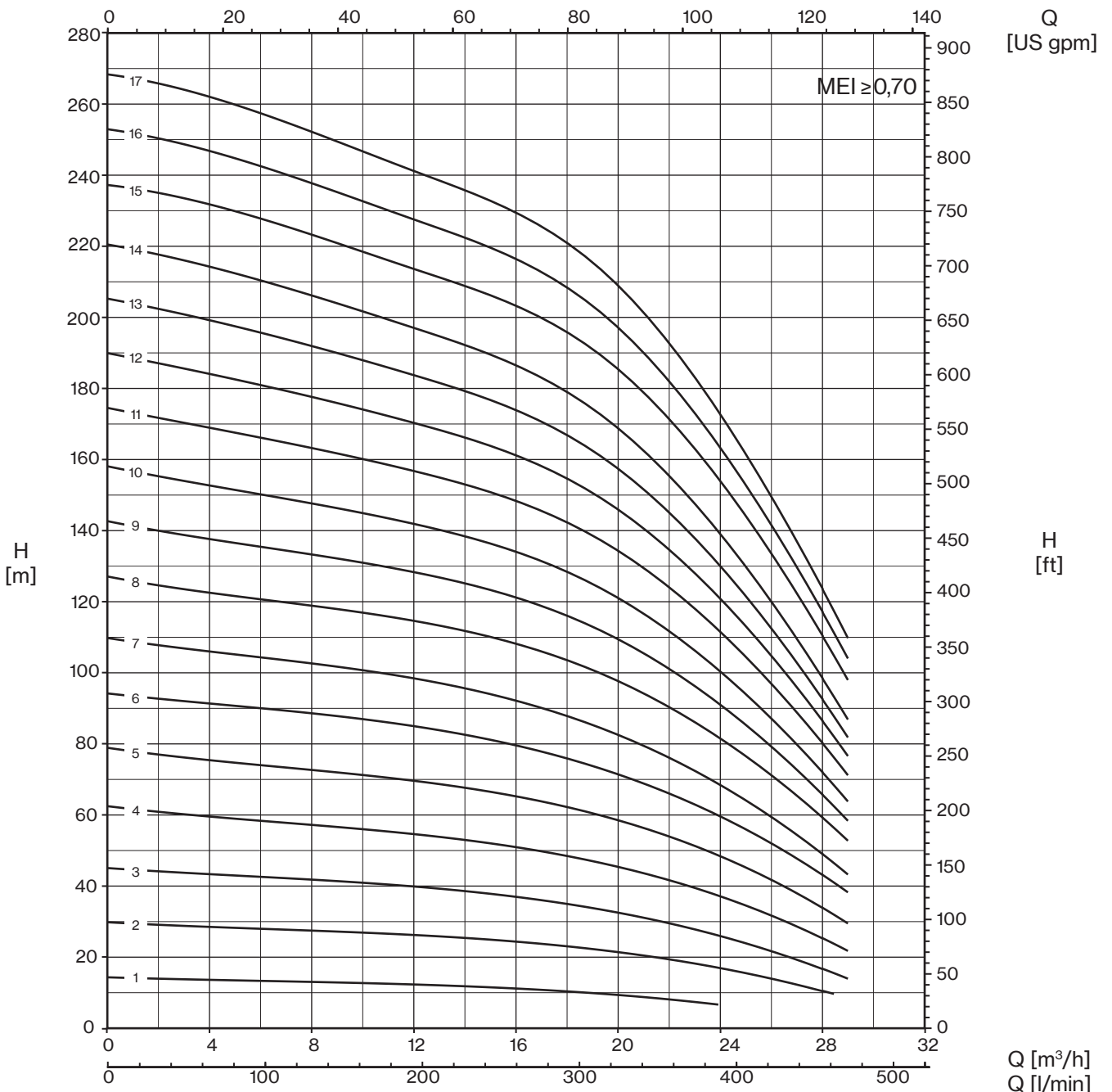




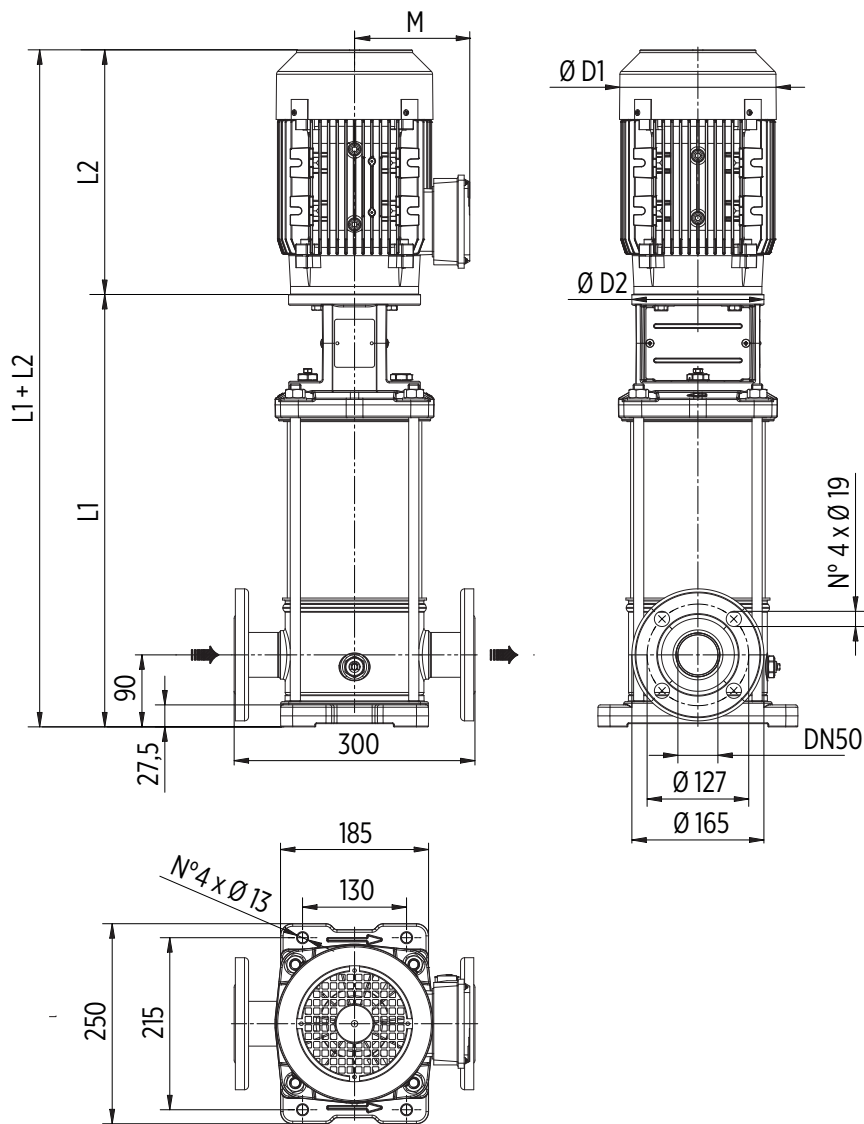
The hydraulic characteristics are guaranteed, according to ISO Standard 9906:2012, grade 3B



# 22 HX





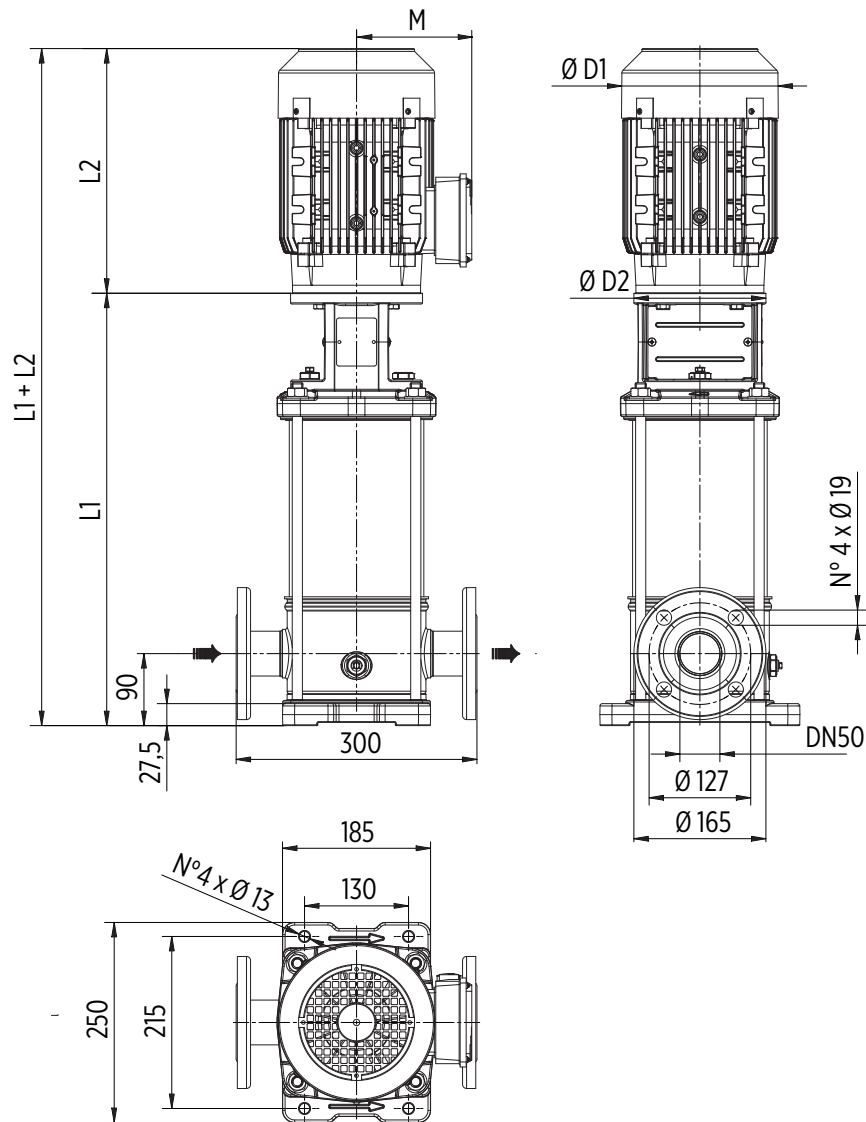


Round flanges on body type PN25/40: the pump is supplied without counterflanges (optional accessories, including bolts and joints)

TYPE	MOTOR		DIMENSIONS (mm)						Kg		
	kW	Dim	L1	L2	M	D1	D2	L1+L2	Pump	Motor	Electric Pump
U 18HX-100/1 T	0,75	80	396	243	130	157	170	639	19	17	36
U 18HX-200/2 T	1,5	90	396	280	145	177	170	676	20	23	43
U 18HX-300/3 T	2,2	90	444	308	145	177	170	752	21,5	26	47,5
U 18HX-400/4 T	3	100	492	333	157	205	170	825	22,5	35	57,5
U 18HX-550/5 T	4	112	540	350	177	220	170	890	24	43	67
U 18HX-750/6 T	5,5	132	800	400	197	256	300	1200	45,5	66	111,5
U 18HX-750/7 T	5,5	132	848	400	197	256	300	1248	46,5	66	112,5
U 18HX-1000/8 T	7,5	132	896	400	197	256	300	1296	48	73	121
U 18HX-1000/9 T	7,5	132	944	400	197	256	300	1344	49,5	73	122,5
U 18HX-1500/10 T	11	160	1012	503	255	315	350	1515	54	120	174
U 18HX-1500/11 T	11	160	1060	503	255	315	350	1563	55,5	120	175,5
U 18HX-1500/12 T	11	160	1108	503	255	315	350	1611	57	120	177
U 18HX-1500/13 T	11	160	1156	503	255	315	350	1659	58,5	120	178,5
U 18HX-1500/14 T	11	160	1204	503	255	315	350	1707	60	120	180
U 18HX-2000/15 T	15	160	1252	503	255	315	350	1755	61	132	193
U 18HX-2000/16 T	15	160	1300	503	255	315	350	1803	62,5	132	194,5
U 18HX-2000/17 T	15	160	1348	503	255	315	350	1851	64	132	196



## 22 HX



Round flanges on body type PN25/40: the pump is supplied without counterflanges (optional accessories, including bolts and joints)

TYPE	MOTOR		DIMENSIONS (mm)						Kg		
	kW	Dim	L1	L2	M	D1	D2	L1+L2	Pump	Motor	Electric Pump
U 22HX-200/1 T	1,1	80	396	243	130	157	170	639	19	18	37
U 22HX-300/2 T	2,2	90	396	308	145	177	170	704	20	26	46
U 22HX-400/3 T	3	100	444	333	157	205	170	777	21,5	35	56,5
U 22HX-550/4 T	4	112	492	350	177	220	170	842	22,5	43	65,5
U 22HX-750/5 T	5,5	132	752	400	197	256	300	1152	44	66	110
U 22HX-1000/6 T	7,5	132	800	400	197	256	300	1200	45,5	73	118,5
U 22HX-1000/7 T	7,5	132	848	400	197	256	300	1248	46,5	73	119,5
U 22HX-1500/8 T	11	160	916	503	255	315	350	1419	51,5	120	171,5
U 22HX-1500/9 T	11	160	964	503	255	315	350	1467	53	120	173
U 22HX-1500/10 T	11	160	1012	503	255	315	350	1515	54,5	120	174,5
U 22HX-2000/11 T	15	160	1060	503	255	315	350	1563	55,5	132	187,5
U 22HX-2000/12 T	15	160	1108	503	255	315	350	1611	57	132	189
U 22HX-2000/13 T	15	160	1156	503	255	315	350	1659	58,5	132	190,5
U 22HX-2000/14 T	15	160	1204	503	255	315	350	1707	60	132	192
U 22HX-2500/15 T	18,5	160	1252	598	252	315	350	1850	61,5	150	211,5
U 22HX-2500/16 T	18,5	160	1300	598	252	315	350	1898	62,5	150	212,5
U 22HX-2500/17 T	18,5	160	1348	598	252	315	350	1946	64	150	214



# ULTRA HS/HX

## Multistage Vertical

Stainless steel multistage vertical pumps. Suitable for clean non-loaded fluids, pressurizing system, irrigation, drinking and glycol water, water treatment, food industry, heating and air conditioning, washing system.

### Construction features

<b>Pump body</b>	HS: cast iron GJL-250 HX: EN 1.4401 / AISI 316
<b>Motor bracket</b>	cast iron
<b>Seal plate housing</b>	HS: EN 1.4301 / AISI 304 HX: EN 1.4401 / AISI 316
<b>Impellers, diffusers, shell</b>	HS: EN 1.4301 / AISI 304 HX: EN 1.4401 / AISI 316
<b>Pump shaft</b>	HS: EN 1.4057 / AISI 431 HX: EN 1.4460 / AISI 329
<b>Mechanical seal</b>	silicon carbide-graphite-EPDM
<b>Ambient temperature</b>	max 40 °C
<b>Liquid temperature</b>	-15 ÷ +120 °C (Max 85° for domestic use)
<b>Max operating pressure</b>	32 bar (U 35-50) 25 bar (U 75-90)
<b>Pump body gasket</b>	EPDM

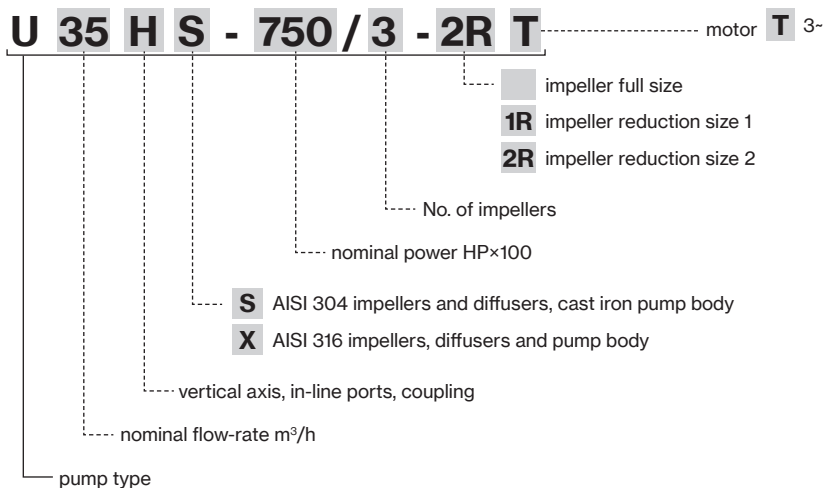
### Motor

<b>2 pole induction motor</b>	3~ 230/400V - 50Hz P ≤ 4kW, size B14 V1 3~ 400/690V - 50Hz P > 4kW, size B5 V1 IE3 efficiency class
<b>Insulation class</b>	F
<b>Protection degree</b>	IP55



ULTRA HS

ULTRA HX



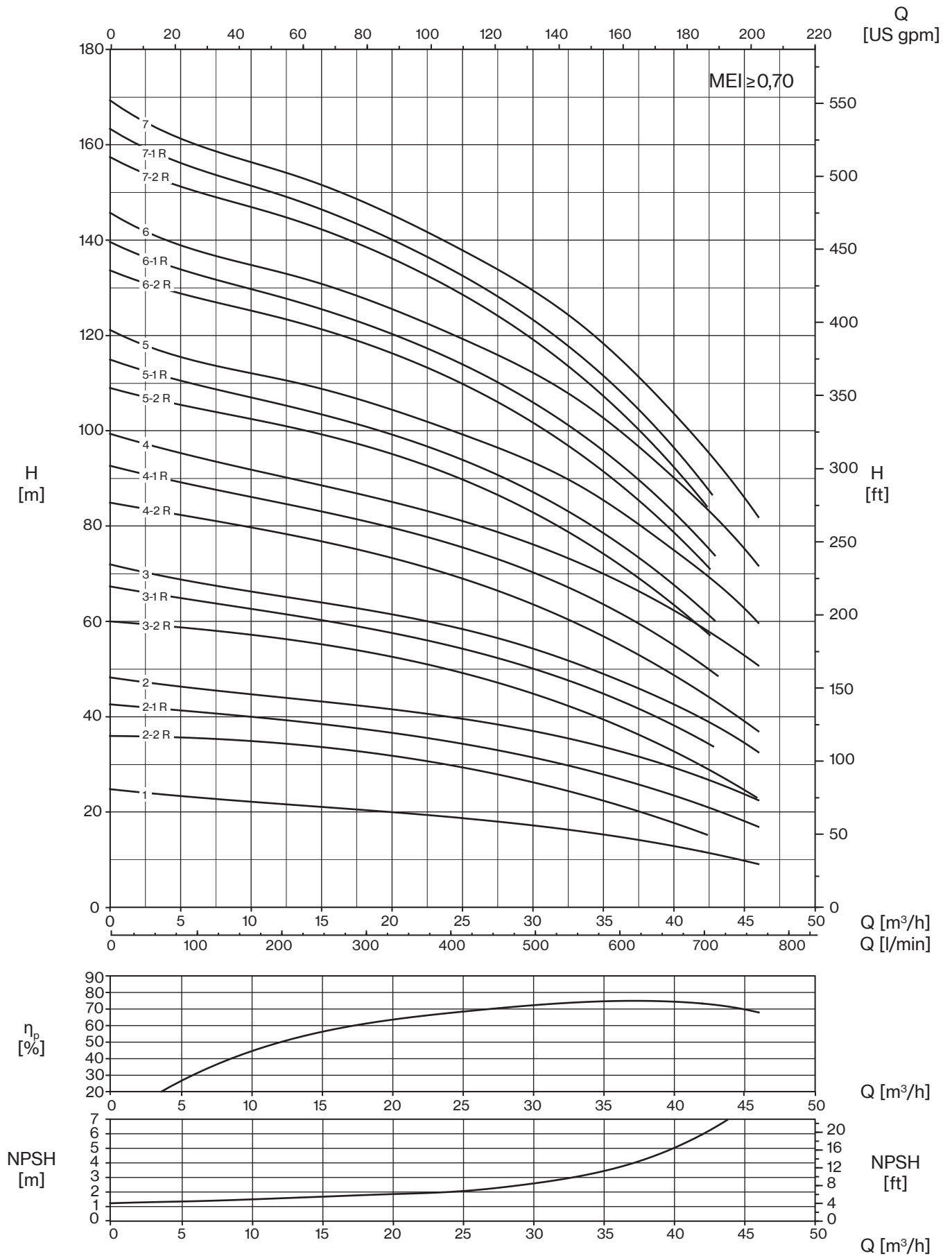


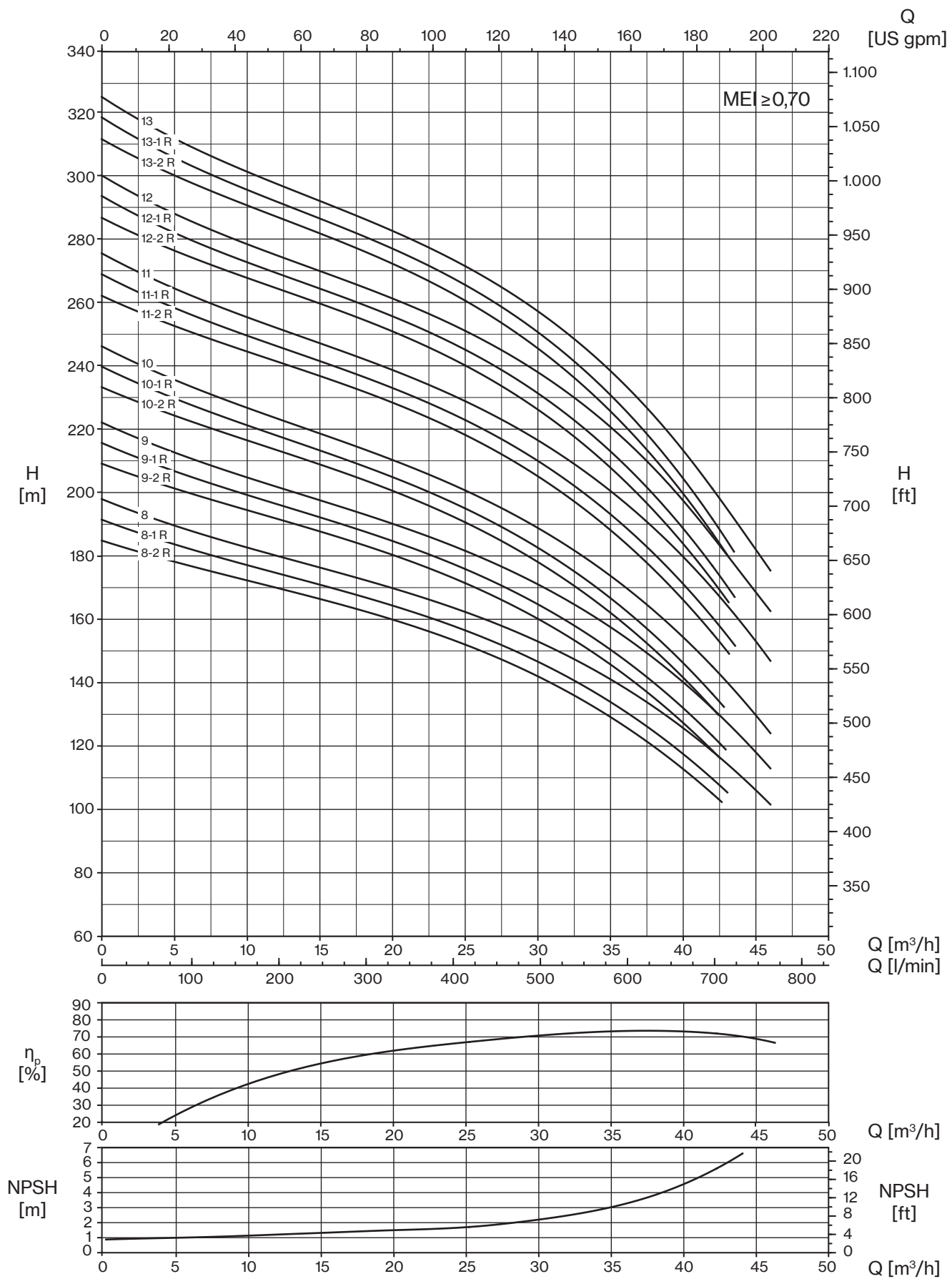
U 75... HS/HX	P2		Q (l/min - m <sup>3</sup> /h - US gpm)									
			0	500	666,7	750	833,3	1000	1166,7	1333,3	1466,7	
			0	30	40	45	50	60	70	80	88	
			0	131,9	175,9	197,9	219,8	263,8	307,8	351,7	386,9	
HP		kW		H (m)								
U 75...-550/1-1R T	5,5	4	21,3	18,2	17,0	16,3	15,5	13,3	10,3	6,8	3,7	
U 75...-750/1 T	7,5	5,5	30,2	24,8	23,0	22,3	21,7	20,3	18,3	15,4	12,2	
U 75...-1000/2-2R T	10	7,5	38,9	37,2	35,8	34,8	33,8	30,5	25,8	20,3	14,6	
U 75...-1500/2-1R T	15	11	47,8	44,3	42,6	41,6	40,6	38,0	34,2	29,3	24,0	
U 75...-1500/2 T	15	11	59,3	51,2	48,0	46,8	45,5	43,2	39,9	35,3	30,8	
U 75...-2000/3-2R T	20	15	67,3	63,0	60,6	59,1	57,6	53,4	47,2	39,5	31,4	
U 75...-2000/3-1R T	20	15	75,5	69,2	66,3	64,8	63,2	59,5	54,1	46,9	38,7	
U 75...-2500/3 T	25	18,5	89,6	77,6	72,8	70,9	69,0	65,7	60,7	53,9	47,2	
U 75...-2500/4-2R T	25	18,5	95,5	88,6	85,1	83,2	81,1	76,0	68,3	58,5	47,9	
U 75...-3000/4-1R T	30	22	103,7	94,7	90,9	88,8	86,7	82,1	75,2	65,9	55,3	
U 75...-3000/4 T	30	22	111,8	100,8	96,7	94,5	92,4	88,4	82,3	73,3	62,9	
U 75...-4000/5-2R T	40	30	125,3	116,2	111,8	109,5	107,0	101,1	92,1	80,4	68,0	
U 75...-4000/5-1R T	40	30	133,9	122,7	117,9	115,5	113,0	107,6	99,5	88,4	76,2	
U 75...-4000/5 T	40	30	142,4	129,2	124,0	121,5	119,0	114,1	106,9	96,3	84,6	
U 75...-4000/6-2R T	40	30	153,5	141,6	136,2	133,3	130,3	123,4	112,9	99,0	84,1	
U 75...-5000/6-1R T	50	37	162,1	148,2	142,4	139,4	136,4	130,0	120,4	107,1	92,5	
U 75...-5000/6 T	50	37	170,6	154,7	148,5	145,4	142,3	136,5	127,8	115,0	100,9	
U 75...-5000/7-2R T	50	37	181,7	167,0	160,6	157,2	153,6	145,7	133,7	117,7	100,3	
U 75...-5000/7-1R T	50	37	190,1	173,5	166,6	163,1	159,5	152,1	141,0	125,5	108,3	
U 75...-6000/7 T	60	45	199,5	181,1	173,8	170,3	166,7	160,0	149,9	135,1	118,9	
U 75...-6000/8-2R T	60	45	210,6	193,5	186,0	182,2	178,1	169,3	156,0	137,9	118,4	
U 75...-6000/8-1R T	60	45	219,2	200,0	192,1	188,2	184,1	175,8	163,4	145,9	126,6	
U 75...-6000/8 T	60	45	227,7	206,5	198,2	194,1	190,1	182,3	170,7	153,8	135,1	

U 90... HS/HX	P2		Q (l/min - m <sup>3</sup> /h - US gpm)									
			0	750	833,3	1000	1166,7	1333,3	1466,7	1666,7	1833,3	1916,7
			0	45	50	60	70	80	88	100	110	115
			0	197,9	219,8	263,8	307,8	351,7	386,9	439,7	483,6	505,6
HP		kW		H (m)								
U 90...-750/1-1R T	7,5	5,5	26,4	20,5	19,9	18,7	17,3	15,5	13,2	9,5	5,7	3,5
U 90...-1000/1 T	10	7,5	35,6	27,0	25,6	23,2	21,9	20,4	18,8	15,7	12,4	10,5
U 90...-1500/2-2R T	15	11	49,6	42,4	41,3	39,0	36,6	33,2	29,4	22,7	15,7	11,7
U 90...-2000/2 T	20	15	69,2	56,6	54,5	50,5	47,3	44,3	41,6	36,3	30,5	27,3
U 90...-2500/3-2R T	25	18,5	80,4	70,8	69,1	65,6	62,2	57,7	53,0	44,3	34,9	30,4
U 90...-3000/3 T	30	22	92,4	82,6	80,6	76,7	73,2	69,4	65,5	57,8	49,7	45,2
U 90...-4000/4-2R T	40	30	113,1	100,6	98,2	93,5	89,0	83,5	77,5	66,5	54,6	48,5
U 90...-4000/4 T	40	30	125,6	113,0	110,4	105,2	100,6	95,7	90,7	80,8	70,2	64,4
U 90...-5000/5-2R T	50	37	144,1	128,4	125,4	119,3	113,7	106,9	99,7	86,1	71,6	64,1
U 90...-5000/5 T	50	37	156,6	140,7	137,4	130,9	125,2	119,1	112,8	100,3	87,1	79,8
U 90...-6000/6-2R T	60	45	175,9	157,0	153,4	146,1	139,3	131,4	122,9	107,0	89,8	80,8
U 90...-6000/6 T	60	45	188,4	169,5	165,6	157,8	150,9	143,6	136,2	121,3	105,5	96,7



# 35 HS/HX

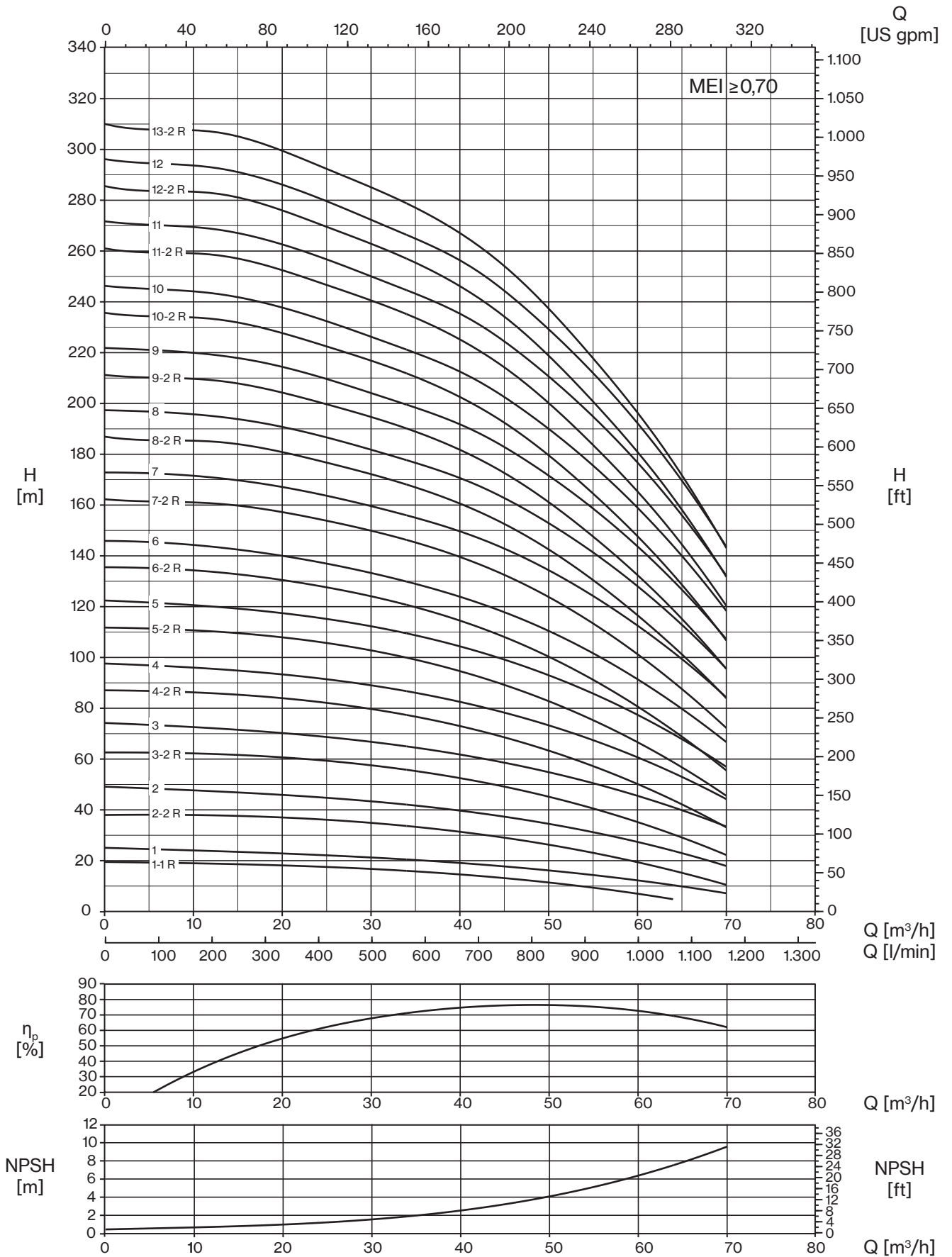




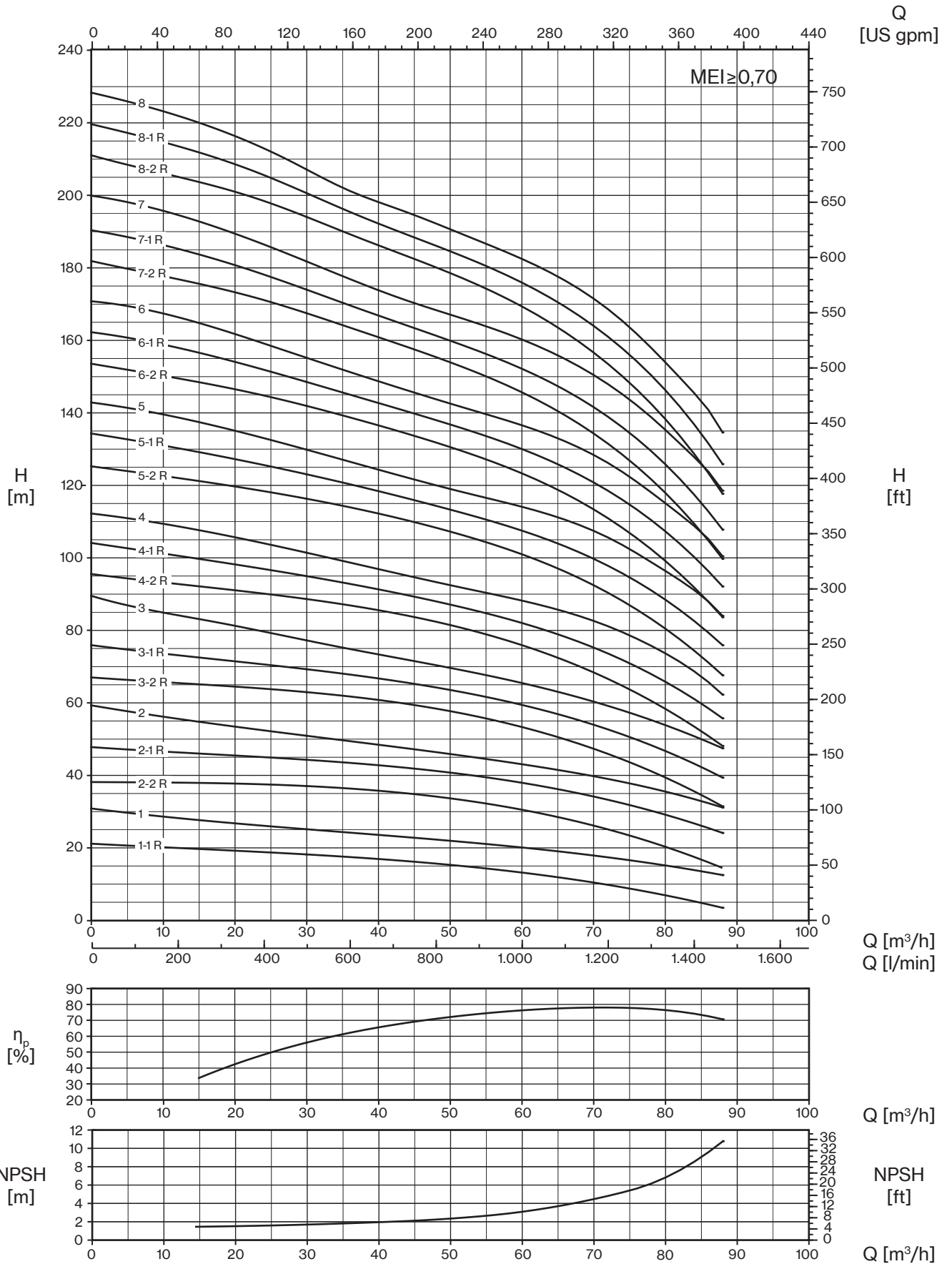
The hydraulic characteristics are guaranteed, according to ISO Standard 9906:2012, grade 3B



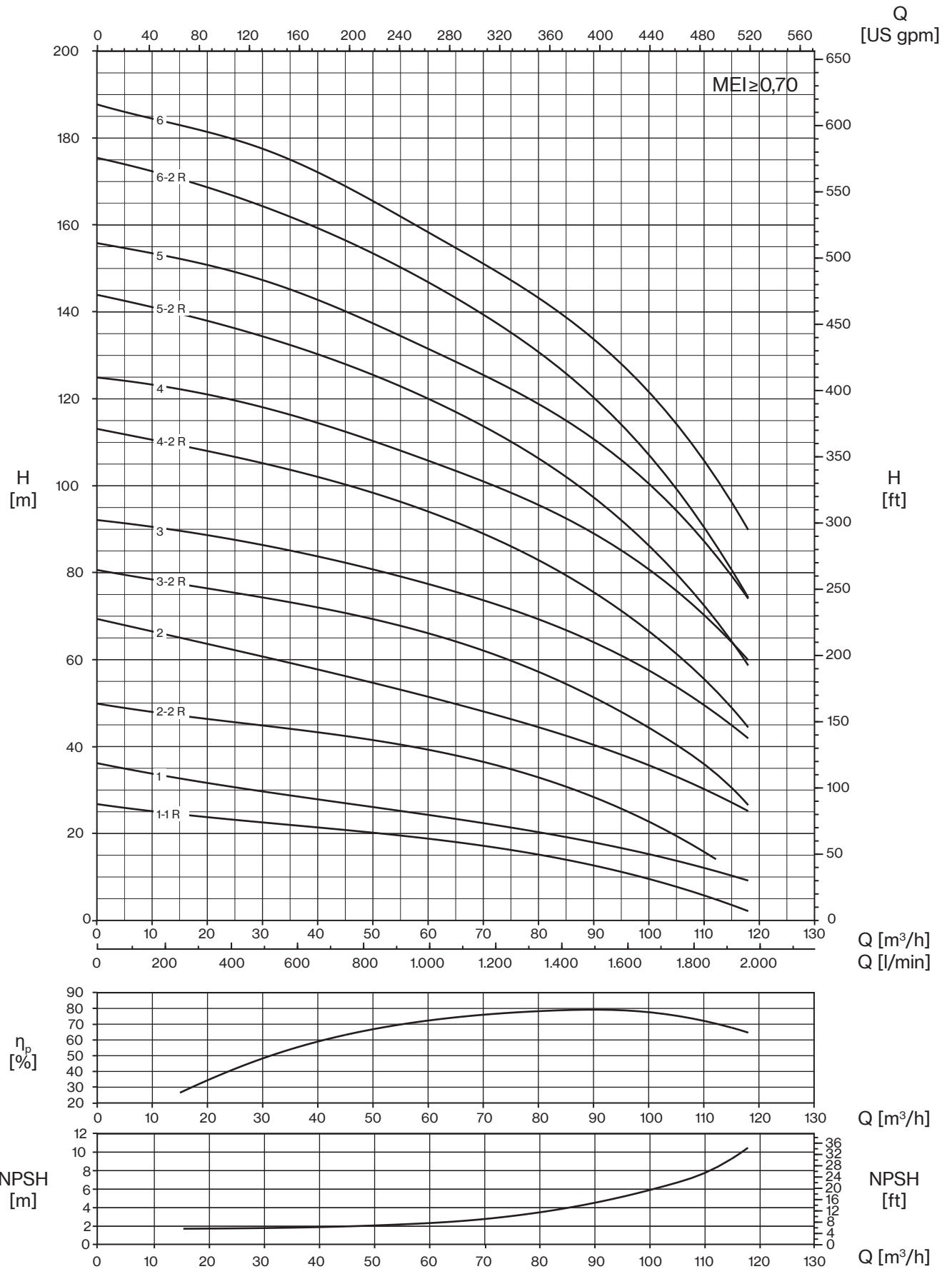
# 50 HS/HX







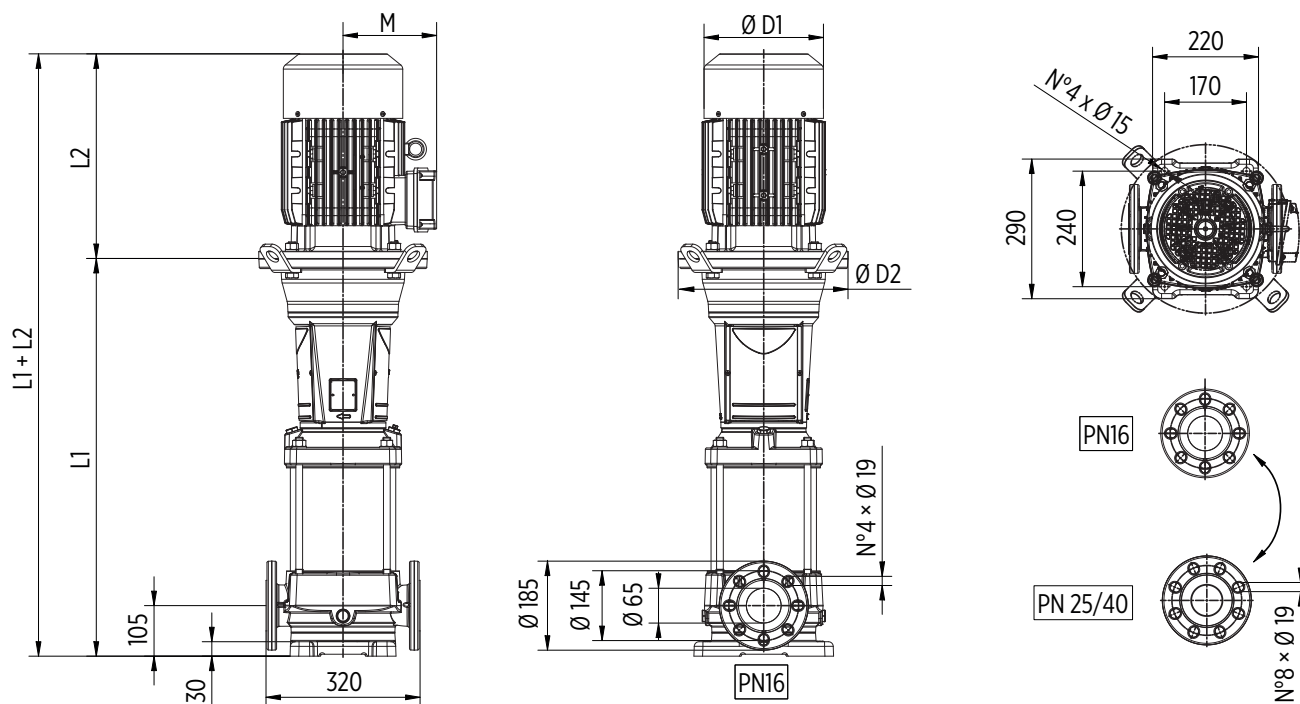
# 90 HS/HX



The hydraulic characteristics are guaranteed, according to ISO Standard 9906:2012, grade 3B



# 35 HS/HX

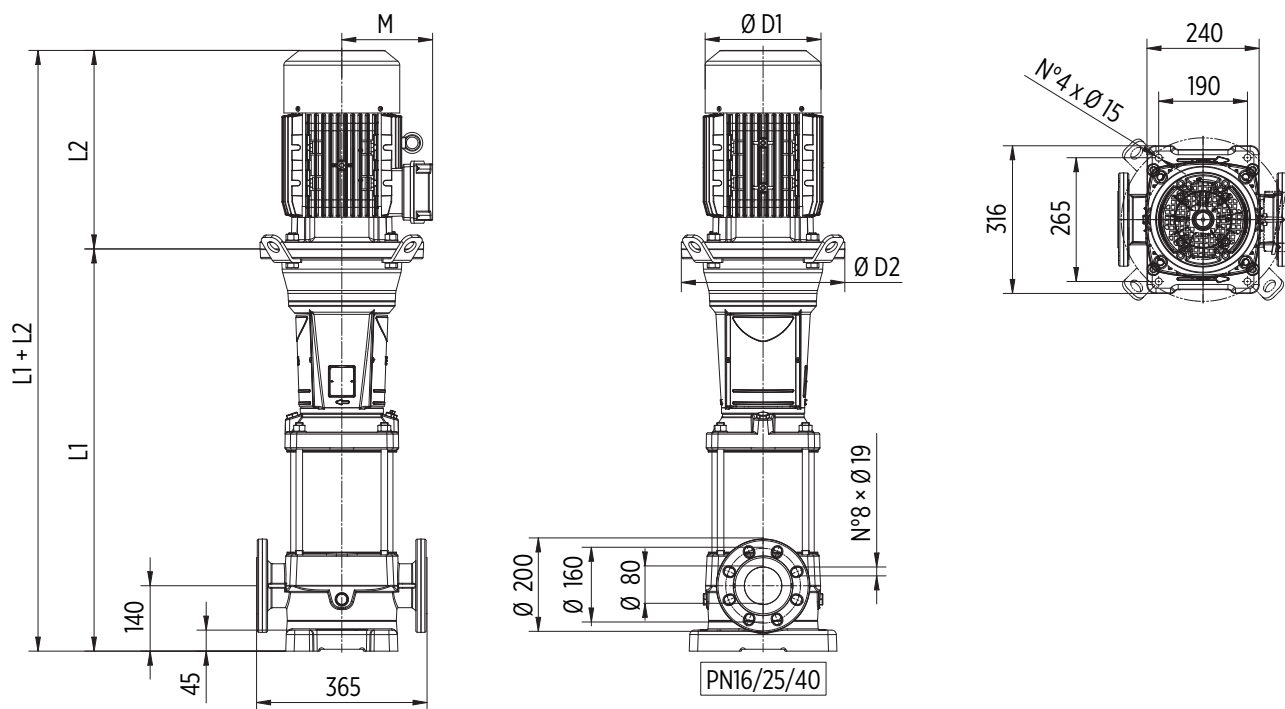


Round flanges on body type PN25/40: the pump is supplied without counterflanges (optional accessories, including bolts and joints)

TYPE	MOTOR		DIMENSIONS (mm)						Kg		
	kW	Dim	L1	L2	M	D1	D2	L1+L2	Pump	Motor	Electric Pump
U 35...-300/1 T	2,2	90	431	308	145	177	170	739	48,5	26	74,5
U 35...-550/2-2R T	4	112	513	350	177	220	170	863	52	43	95
U 35...-550/2-1R T	4	112	513	350	177	220	170	863	52	43	95
U 35...-750/2 T	5,5	132	724	400	197	256	300	1124	72,5	66	138,5
U 35...-750/3-2R T	5,5	132	806	400	197	256	300	1206	76,5	66	142,5
U 35...-1000/3-1R T	7,5	132	806	400	197	256	300	1206	76,5	73	149,5
U 35...-1000/3 T	7,5	132	806	400	197	256	300	1206	76,5	73	149,5
U 35...-1000/4-2R T	7,5	132	888	400	197	256	300	1288	80,5	73	153,5
U 35...-1500/4-1R T	11	160	908	503	255	315	350	1411	84	120	204
U 35...-1500/4 T	11	160	908	503	255	315	350	1411	84	120	204
U 35...-1500/5-2R T	11	160	991	503	255	315	350	1494	88	120	208
U 35...-1500/5-1R T	11	160	991	503	255	315	350	1494	88	120	208
U 35...-2000/5 T	15	160	991	503	255	315	350	1494	88	132	220
U 35...-2000/6-2R T	15	160	1073	503	255	315	350	1576	92	132	224
U 35...-2000/6-1R T	15	160	1073	503	255	315	350	1576	92	132	224
U 35...-2000/6 T	15	160	1073	503	255	315	350	1576	92	132	224
U 35...-2000/7-2R T	15	160	1155	503	255	315	350	1658	96	132	228
U 35...-2000/7-1R T	15	160	1155	503	255	315	350	1658	96	132	228
U 35...-2500/7 T	18,5	160	1155	598	252	315	350	1753	96	150	246
U 35...-2500/8-2R T	18,5	160	1237	598	252	315	350	1835	100	150	250
U 35...-2500/8-1R T	18,5	160	1237	598	252	315	350	1835	100	150	250
U 35...-2500/8 T	18,5	160	1237	598	252	315	350	1835	100	150	250
U 35...-3000/9-2R T	22	180	1319	620	270	360	350	1939	103,5	205	308,5
U 35...-3000/9-1R T	22	180	1319	620	270	360	350	1939	103,5	205	308,5
U 35...-3000/9 T	22	180	1319	620	270	360	350	1939	103,5	205	308,5
U 35...-3000/10-2R T	22	180	1401	620	270	360	350	2021	107,5	205	312,5
U 35...-3000/10-1R T	22	180	1401	620	270	360	350	2021	107,5	205	312,5
U 35...-4000/10 T	30	200	1406	661	303	400	400	2067	111	250	361
U 35...-4000/11-2R T	30	200	1488	661	303	400	400	2149	115	250	365
U 35...-4000/11-1R T	30	200	1488	661	303	400	400	2149	115	250	365
U 35...-4000/11 T	30	200	1488	661	303	400	400	2149	115	250	365
U 35...-4000/12-2R T	30	200	1570	661	303	400	400	2231	119	250	369
U 35...-4000/12-1R T	30	200	1570	661	303	400	400	2231	119	250	369
U 35...-4000/12 T	30	200	1570	661	303	400	400	2231	119	250	369
U 35...-4000/13-2R T	30	200	1652	661	303	400	400	2313	122,5	250	372,5
U 35...-4000/13-1R T	30	200	1652	661	303	400	400	2313	122,5	250	372,5
U 35...-4000/13 T	30	200	1652	661	303	400	400	2313	122,5	250	372,5

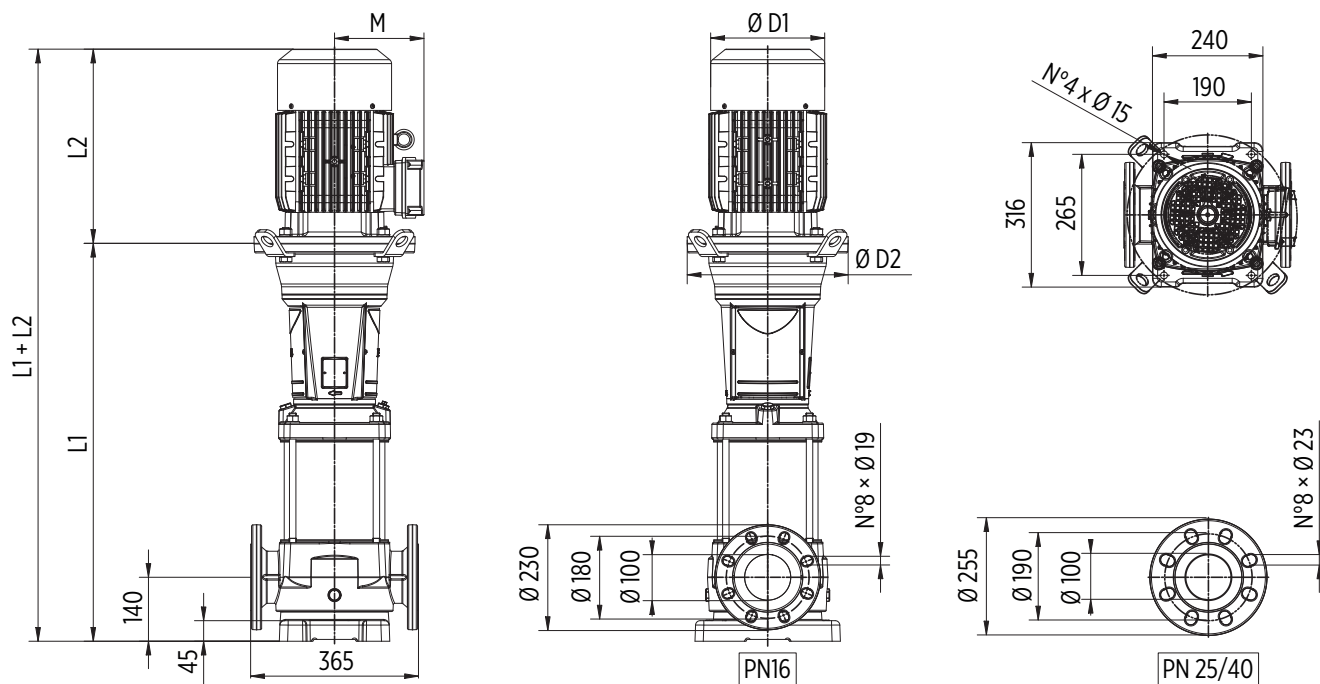


## 50 HS/HX



Round flanges on body type PN25/40: the pump is supplied without counterflanges (optional accessories, including bolts and joints)

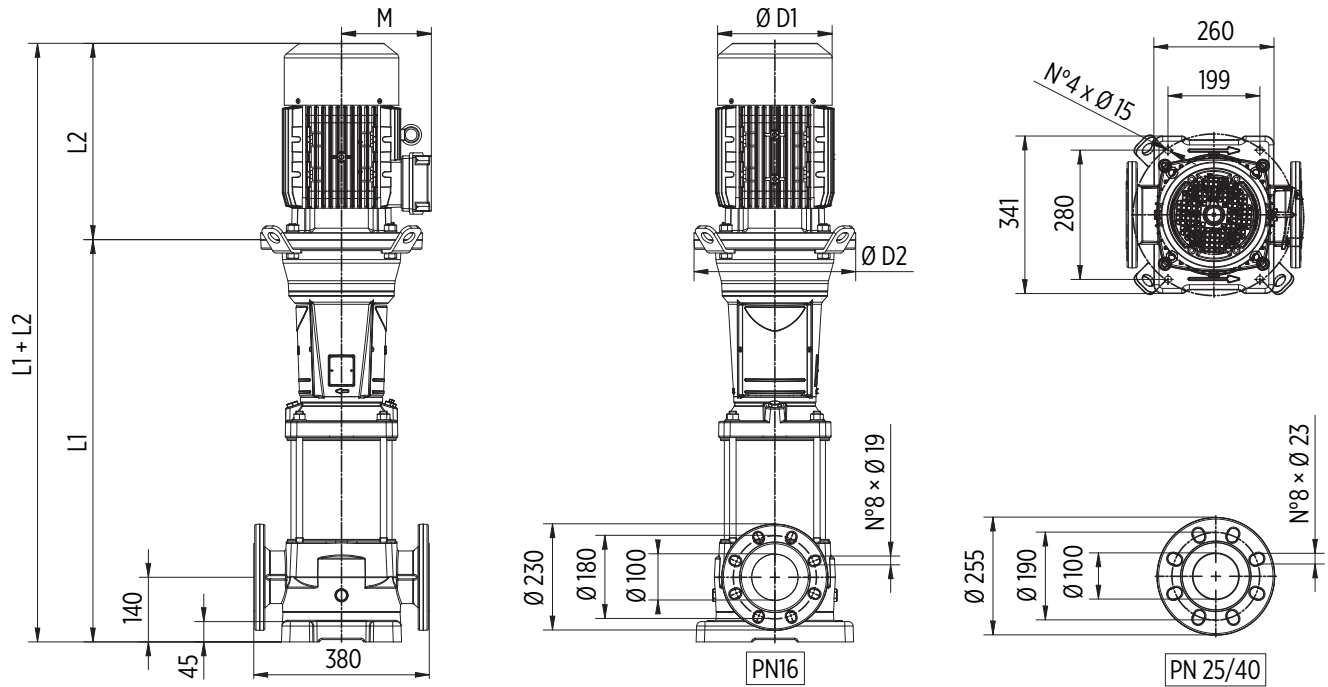
TYPE	MOTOR		DIMENSIONS (mm)						Kg		
	kW	Dim	L1	L2	M	D1	D2	L1+L2	Pump	Motor	Electric Pump
U 50...-400/1-1R T	3	100	466	333	157	205	170	799	54	35	89
U 50...-550/1 T	4	112	466	350	177	220	170	816	54	43	97
U 50...-750/2-2R T	5,5	132	759	400	197	256	300	1159	78,5	66	144,5
U 50...-1000/2 T	7,5	132	759	400	197	256	300	1159	78,5	73	151,5
U 50...-1500/3-2R T	11	160	861	503	255	315	350	1364	85,5	120	205,5
U 50...-1500/3 T	11	160	861	503	255	315	350	1364	85,5	120	205,5
U 50...-2000/4-2R T	15	160	943	503	255	315	350	1446	89,5	132	221,5
U 50...-2000/4 T	15	160	943	503	255	315	350	1446	89,5	132	221,5
U 50...-2500/5-2R T	18,5	160	1026	598	252	315	350	1624	93,5	150	243,5
U 50...-2500/5 T	18,5	160	1026	598	252	315	350	1624	93,5	150	243,5
U 50...-3000/6-2R T	22	180	1108	620	270	360	350	1728	97,5	205	302,5
U 50...-3000/6 T	22	180	1108	620	270	360	350	1728	97,5	205	302,5
U 50...-4000/7-2R T	30	200	1195	661	303	400	400	1856	104,5	250	354,5
U 50...-4000/7 T	30	200	1195	661	303	400	400	1856	104,5	250	354,5
U 50...-4000/8-2R T	30	200	1277	661	303	400	400	1938	108,5	250	358,5
U 50...-4000/8 T	30	200	1277	661	303	400	400	1938	108,5	250	358,5
U 50...-5000/9-2R T	37	200	1359	661	303	400	400	2020	112,5	270	382,5
U 50...-5000/9 T	37	200	1359	661	303	400	400	2020	112,5	270	382,5
U 50...-5000/10-2R T	37	200	1441	661	303	400	400	2102	116,5	270	386,5
U 50...-5000/10 T	37	200	1441	661	303	400	400	2102	116,5	270	386,5
U 50...-6000/11-2R T	45	225	1523	710	312	450	450	2233	122,5	315	437,5
U 50...-6000/11 T	45	225	1523	710	312	450	450	2233	122,5	315	437,5
U 50...-6000/12-2R T	45	225	1605	710	312	450	450	2315	126,5	315	441,5
U 50...-6000/12 T	45	225	1605	710	312	450	450	2315	126,5	315	441,5
U 50...-6000/13-2R T	45	225	1687	710	312	450	450	2397	130,5	315	445,5



Round flanges on body type PN25/40: the pump is supplied without counterflanges (optional accessories, including bolts and joints)

TYPE	MOTOR		DIMENSIONS (mm)						Kg		
	kW	Dim	L1	L2	M	D1	D2	L1+L2	Pump	Motor	Electric Pump
U 75...-550/1-1R T	4	112	526	350	177	220	170	876	60	43	103
U 75...-750/1 T	5,5	132	737	400	197	256	300	1137	80,5	66	146,5
U 75...-1000/2-2R T	7,5	132	829	400	197	256	300	1229	85	73	158
U 75...-1500/2-1R T	11	160	849	503	255	315	350	1352	88,5	120	208,5
U 75...-1500/2 T	11	160	849	503	255	315	350	1352	88,5	120	208,5
U 75...-2000/3-2R T	15	160	941	503	255	315	350	1444	93	132	225
U 75...-2000/3-1R T	15	160	941	503	255	315	350	1444	93	132	225
U 75...-2500/3 T	18,5	160	941	598	252	315	350	1539	93	150	243
U 75...-2500/4-2R T	18,5	160	1033	598	252	315	350	1631	97,5	150	247,5
U 75...-3000/4-1R T	22	180	1033	620	270	360	350	1653	97	205	302
U 75...-3000/4 T	22	180	1033	620	270	360	350	1653	97	205	302
U 75...-4000/5-2R T	30	200	1131	661	303	400	400	1792	105	250	355
U 75...-4000/5-1R T	30	200	1131	661	303	400	400	1792	105	250	355
U 75...-4000/5 T	30	200	1131	661	303	400	400	1792	105	250	355
U 75...-4000/6-2R T	30	200	1223	661	303	400	400	1884	109,5	250	359,5
U 75...-5000/6-1R T	37	200	1223	661	303	400	400	1884	109,5	270	379,5
U 75...-5000/6 T	37	200	1223	661	303	400	400	1884	109,5	270	379,5
U 75...-5000/7-2R T	37	200	1315	661	303	400	400	1976	113,5	270	383,5
U 75...-5000/7-1R T	37	200	1315	661	303	400	400	1976	113,5	270	383,5
U 75...-6000/7 T	45	225	1315	710	312	450	450	2025	116	315	431
U 75...-6000/8-2R T	45	225	1407	710	312	450	450	2117	120,5	315	435,5
U 75...-6000/8-1R T	45	225	1407	710	312	450	450	2117	120,5	315	435,5
U 75...-6000/8 T	45	225	1407	710	312	450	450	2117	120,5	315	435,5

# 90 HS/HX





Round flanges on body type PN25/40: the pump is supplied without counterflanges (optional accessories, including bolts and joints)

TYPE	MOTOR		DIMENSIONS (mm)						Kg		
	kW	Dim	L1	L2	M	D1	D2	L1+L2	Pump	Motor	Electric Pump
U 90...-750/1-1R T	5,5	132	737	400	197	256	300	1137	82	66	148
U 90...-1000/1 T	7,5	132	737	400	197	256	300	1137	82	73	155
U 90...-1500/2-2R T	11	160	849	503	255	315	350	1352	89	120	209
U 90...-2000/2 T	15	160	849	503	255	315	350	1352	89	132	221
U 90...-2500/3-2R T	18,5	160	941	598	252	315	350	1539	93	150	243
U 90...-3000/3 T	22	180	941	620	270	360	350	1561	92,5	205	297,5
U 90...-4000/4-2R T	30	200	1038	661	303	400	400	1699	99,5	250	349,5
U 90...-4000/4 T	30	200	1038	661	303	400	400	1699	99,5	250	349,5
U 90...-5000/5-2R T	37	200	1131	661	303	400	400	1792	103	270	373
U 90...-5000/5 T	37	200	1131	661	303	400	400	1792	103	270	373
U 90...-6000/6-2R T	45	225	1223	710	312	450	450	1933	109	315	424
U 90...-6000/6 T	45	225	1223	710	312	450	450	1933	109	315	424



# ULTRA HS-HX Serie-Mechanical seal and bearings

CARTRIDGE MECHANICAL SEAL	PUMP MODEL	SHAFT Ø		STANDARD MATERIAL	OPTIONAL		
	U18-100/1T, U18-200/2T, U18-300/3T, U18-400/4T, U18-550/5T, U18-750/6T, U18-750/7T, U18-1000/8T, U18-1000/9T, U18-1500/10T, U18-1500/11T, U18-1500/12T, U18-1500/13T, U18-1500/14T, U18-2000/15T, U18-2000/16T, U18-2000/17T, U22-150/1T, U22-300/2T, U22-400/3T, U22-550/4T, U22-750/5T, U22-1000/6T, U22-1000/7T, U22-1500/8T, U22-1500/9T, U22-1500/10T, U22-2000/11T, U22-2000/12T, U22-2000/13T	16mm	<b>Rotating face</b> <b>Stationary face</b> <b>Elastomer</b>	SiC Graphite EPDM	SiC Graphite FKM	SiC SiC EPDM	SiC SiC FKM
	U35-300/1T, U35-550/2-2RT, U35-550/2-1RT, U35-750/2T, U35-750/3-2RT, U35-1000/3-1RT, U35-1000/3T, U35-1000/4-2RT, U35-1500/4-1RT, U35-1500/4T, U35-1500/5-2RT, U35-1500/5-1RT, U35-2000/5T, U35-2000/6-2RT, U35-2000/6-1RT, U35-2000/6T, U35-2000/7-2RT, U35-2000/7-1RT, U35-2500/7T, U35-2500/8-2RT, U35-2500/8-1RT, U35-2500/8T, U35-3000/9-2RT, U35-3000/9-1RT, U35-3000/9T, U35-3000/10-2RT, U35-3000/10-1RT, U35-4000/10T, U35-4000/11-2RT, U35-4000/11-1RT, U35-4000/11T, U35-4000/12-2RT, U35-4000/12-1RT, U35-4000/12T, U35-4000/13-2RT, U35-4000/13-1RT, U35-4000/13T, U50-400/1-1RT, U50-550/1T, U50-750/2-2RT, U50-1000/2T, U50-1500/3-2RT, U50-1500/3T, U50-2000/4-2RT, U50-2000/4T, U50-2500/5-2RT, U50-2500/5T, U50-3000/6-2RT, U50-3000/6T, U50-4000/7-2RT, U50-4000/7T, U50-4000/8-2RT, U50-4000/8T, U50-5000/9-2RT, U50-5000/9T, U50-5000/10-2RT, U50-5000/10T, U50-6000/11-2RT, U50-6000/11T, U50-6000/12-2RT, U50-6000/12T, U50-6000/13-2RT, U75-550/1-1RT, U75-750/1T, U75-1000/2-2RT, U75-1500/2-1RT, U75-1500/2T, U75-2000/3-2RT, U75-2000/3-1RT, U75-2500/3T, U75-2500/4-2RT, U75-3000/4-1RT, U75-3000/4T, U75-4000/5-2RT, U75-4000/5-1RT, U75-4000/5T, U75-4000/6-2RT, U75-5000/6-1RT, U75-5000/6T, U75-5000/7-2RT, U75-5000/7-1RT, U75-6000/7T, U75-6000/8-2RT, U75-6000/8-1RT, U75-6000/8T, U90-750/1-1RT, U90-1000/1T, U90-1500/2-2RT, U90-2000/2T, U90-2500/3-2RT, U90-3000/3T, U90-4000/4-2RT, U90-4000/4T, U90-5000/5-2RT, U90-5000/5T, U90-6000/6-2RT, U90-6000/6T	22mm / Balanced seal	<b>Rotating face</b> <b>Stationary face</b> <b>Elastomer</b>	SiC Graphite EPDM	SiC Graphite FKM	SiC SiC EPDM	SiC SiC FKM

BEARINGS	PUMP MODEL	PUMP THRUST BEARING		MOTOR BEARING		
	U18-100/1T, U22-150/1T	-	-	6204-ZZ C3	6204-ZZ C3	
	U18-200/2T, U18-300/3T, U22-300/2T, U35-300/1T	-	-	6205-ZZ C3	6205-ZZ C3	
	U18-400/4T, U18-550/5T, U22-400/3T, U22-550/4T, U35-550/2-2RT, U35-550/2-1RT, U50-400/1-1RT, U50-550/1T, U75-550/1-1RT	-	-	6206-ZZ C3	6206-ZZ C3	
	U18-750/6T, U18-750/7T, U18-1000/8T, U18-1000/9T, U22-750/5T, U22-1000/6T, U22-1000/7T, U35-750/2T, U35-750/3-2RT, U35-1000/3-1RT, U35-1000/3T, U35-1000/4-2RT, U50-750/2-2RT, U50-1000/2T, U75-750/1T, U75-1000/2-2RT, U90-750/1-1RT, U90-1000/1T			6208-ZZ C3	6208-ZZ C3	
	U18-1500/10T, U18-1500/11T, U18-1500/12T, U18-1500/13T, U18-1500/14T, U18-2000/15T, U18-2000/16T, U18-2000/17T, U22-1500/8T, U22-1500/9T, U22-1500/10T, U22-2000/11T, U22-2000/12T, U22-2000/13T, U22-2000/14T, U22-2500/15T, U22-2500/16T, U22-2500/17T, U35-1500/4-1RT, U35-1500/4T, U35-1500/5-2RT, U35-1500/5-1RT, U50-1500/3-2RT, U50-1500/3T, U75-1500/2-1RT, U75-1500/2T, U90-1500/2-2RT	6212 ZZ	-		6309-ZZ C3	6309-ZZ C3
	U35-2000/5T, U35-2000/6-2RT, U35-2000/6-1RT, U35-2000/6T, U35-2000/7-2RT, U35-2000/7-1RT, U35-2500/7T, U35-2500/8-2RT, U35-2500/8-1RT, U35-2500/8T, U50-2000/4-2RT, U50-2000/4T, U50-2500/5-2RT, U50-2500/5T, U75-2000/3-2RT, U75-2000/3-1RT, U75-2500/3T, U75-2500/4-2RT, U90-2000/2T, U90-2500/3-2RT	6212 ZZ	7212 BEP		6311-ZZ C3	6311-ZZ C3
	U35-3000/9-2RT, U35-3000/9-1RT, U35-3000/9T, U35-3000/10-2RT, U35-3000/10-1RT, U50-3000/6-2RT, U50-3000/6T, U75-3000/4-1RT, U75-3000/4T, U90-3000/3T				6312-ZZ C3	6312-ZZ C3
	U35-4000/10T, U35-4000/11-2RT, U35-4000/11-1RT, U35-4000/11T, U35-4000/12-2RT, U35-4000/12-1RT, U35-4000/12T, U35-4000/13-2RT, U35-4000/13-1RT, U35-4000/13T, U50-4000/7-2RT, U50-4000/7T, U50-4000/8-2RT, U50-4000/8T, U50-5000/9-2RT, U50-5000/9T, U50-5000/10-2RT, U50-5000/10T, U75-4000/5-2RT, U75-4000/5-1RT, U75-4000/5T, U75-4000/6-2RT, U75-5000/6-1RT, U75-5000/6T, U75-5000/7-2RT, U75-5000/7-1RT, U90-4000/4-2RT, U90-4000/4T, U90-5000/5-2RT, U90-5000/5T	6214 ZZ	7214 BEP		6313-ZZ C3	6313-ZZ C3
U50-6000/11-2RT, U50-6000/11T, U50-6000/12-2RT, U50-6000/12T, U50-6000/13-2RT, U75-6000/7T, U75-6000/8-2RT, U75-6000/8-1RT, U75-6000/8T, U90-6000/6-2RT, U90-6000/6T				6313-ZZ C3	6313-ZZ C3	



# ULTRA+VSD

Vertical booster pump with variable speed



## DESCRIPTION

Horizontal pump of ULTRA series provided with variable speed drive EPIC or IPFC. This booster pump assure the desired pressure regardless changes on flow demand making it suitable for low or missing pressure in residential systems and industrial applications. It is required the installation of a membrane tank downstream the system.

## FEATURES

- EPIC or IPFC variable speed drive
- Vertical pump of ULTRA series
- Pressure sensor wired to the vsd
- Cable with plug for EPIC vsd only

## FUNCTIONING

If the pressure in the network drops the pump will starts and gradually speeds up to provide with the set pressure. When the water demand decreases, the pressure will rise causing the pump speed to slow down and eventually to stop the pump if demand ceases. The pump will remain on standby waiting to start at the next water demand.

## SELECTION

The table below shows the vertical ULTRA pump models available for the assembly with EPIC or IPFC. Consult the catalog at the ULTRA series for pump specifics and characteristic curves.



PUMP								VSD		
TYPE	MODEL	Version						TYPE	Power system	
		V	SV	L	SL/SLX	LG	SLG/SLGX		in	out
U 3	100/5T	■	■	■	■	-	-	EPIC	1-230	3-230
		■	■	■	■	-	-	IPFC109	1-230	3-230
		■	■	■	■	-	-	IPFC306	3-400	3-400
	120/6T	■	■	■	■	-	-	EPIC	1-230	3-230
		■	■	■	■	-	-	IPFC109	1-230	3-230
		■	■	■	■	-	-	IPFC306	3-400	3-400
	150/7T	■	■	■	■	-	-	EPIC	1-230	3-230
		■	■	■	■	-	-	IPFC109	1-230	3-230
		■	■	■	■	-	-	IPFC306	3-400	3-400
	180/8T	■	■	■	■	-	-	EPIC	1-230	3-230
		■	■	■	■	-	-	IPFC109	1-230	3-230
		■	■	■	■	-	-	IPFC306	3-400	3-400
	200/9T	■	■	■	■	-	-	EPIC	1-230	3-230
		■	■	■	■	-	-	IPFC109	1-230	3-230
■		■	■	■	-	-	IPFC306	3-400	3-400	
250/10T	■	■	■	■	-	-	EPIC	1-230	3-230	
	■	■	■	■	-	-	IPFC114	1-230	3-230	
	■	■	■	■	-	-	IPFC306	3-400	3-400	
280/11T	-	■	-	■	-	-	EPIC	1-230	3-230	
	■	■	■	■	-	-	IPFC114	1-230	3-230	
	■	■	■	■	-	-	IPFC306	3-400	3-400	
300/12T	■	■	■	■	-	-	IPFC114	1-230	3-230	
	■	■	■	■	-	-	IPFC306	3-400	3-400	
350/14T	-	-	-	-	-	■	IPFC114	1-230	3-230	
	-	-	-	-	-	■	IPFC306	3-400	3-400	
380/16T	-	-	-	-	-	■	IPFC114	1-230	3-230	
	-	-	-	-	-	■	IPFC309	3-400	3-400	
400/18T	-	-	-	-	-	■	IPFC309	3-400	3-400	
450/20T	-	-	-	-	-	■	IPFC309	3-400	3-400	
U 5	120/4T	■	■	■	■	-	-	EPIC	1-230	3-230
		■	■	■	■	-	-	IPFC109	1-230	3-230
		■	■	■	■	-	-	IPFC306	3-400	3-400
	150/5T	■	■	■	■	-	-	EPIC	1-230	3-230
		■	■	■	■	-	-	IPFC109	1-230	3-230
		■	■	■	■	-	-	IPFC306	3-400	3-400
	180/6T	■	■	■	■	-	-	EPIC	1-230	3-230
		■	■	■	■	-	-	IPFC109	1-230	3-230
		■	■	■	■	-	-	IPFC306	3-400	3-400
	200/7T	■	■	■	■	-	-	EPIC	1-230	3-230
		■	■	■	■	-	-	IPFC109	1-230	3-230
		■	■	■	■	-	-	IPFC306	3-400	3-400
	250/8T	■	■	■	■	-	-	EPIC	1-230	3-230
		■	■	■	■	-	-	IPFC114	1-230	3-230
■		■	■	■	-	-	IPFC306	3-400	3-400	
280/9T	■	■	■	■	-	-	IPFC114	1-230	3-230	
	■	■	■	■	-	-	IPFC306	3-400	3-400	
300/10T	■	■	■	■	-	-	IPFC114	1-230	3-230	
	■	■	■	■	-	-	IPFC306	3-400	3-400	
350/11T	■	■	■	■	-	-	IPFC114	1-230	3-230	
	■	■	■	■	-	-	IPFC306	3-400	3-400	
380/12T	■	■	■	■	-	-	IPFC309	3-400	3-400	
400/14T	-	-	-	-	-	■	IPFC309	3-400	3-400	
450/16T	-	-	-	-	-	■	IPFC309	3-400	3-400	
550/18T	-	-	-	-	-	■	IPFC311	3-400	3-400	
600/20T	-	-	-	-	-	■	IPFC311	3-400	3-400	



# ULTRA+VSD

PUMP								VSD		
TYPE	MODEL	Version						TYPE	Power system	
		V	SV	L	SL/SLX	LG	SLG/SLGX		in	out
U 7	180/4T	■	■	■	■	-	-	EPIC	1-230	3-230
		■	■	■	■	-	-	IPFC109	1-230	3-230
		■	■	■	■	-	-	IPFC306	3-400	3-400
	250/5T	■	■	■	■	-	-	IPFC114	1-230	3-230
		■	■	■	■	-	-	IPFC306	3-400	3-400
	300/6T	■	■	■	■	-	-	IPFC114	1-230	3-230
		■	■	■	■	-	-	IPFC306	3-400	3-400
	350/7T	■	■	■	■	-	-	IPFC114	1-230	3-230
		■	■	■	■	-	-	IPFC306	3-400	3-400
	400/8T	■	■	■	■	-	-	IPFC309	3-400	3-400
	450/9T	■	■	■	■	-	-	IPFC309	3-400	3-400
	550/10T	■	■	■	■	-	-	IPFC309	3-400	3-400
750/12T	-	-	-	-	-	■	IPFC311	3-400	3-400	
800/14T	-	-	-	-	-	■	IPFC314	3-400	3-400	
900/16T	-	-	-	-	-	■	IPFC314	3-400	3-400	
950/18T	-	-	-	-	-	■	IPFC314	3-400	3-400	
1000/20T	-	-	-	-	-	■	IPFC318	3-400	3-400	
U 9	200/4T	■	■	■	■	-	-	EPIC	1-230	3-230
		■	■	■	■	-	-	IPFC109	1-230	3-230
		■	■	■	■	-	-	IPFC306	3-400	3-400
	250/5T	■	■	■	■	-	-	IPFC114	1-230	3-230
		■	■	■	■	-	-	IPFC306	3-400	3-400
	300/6T	■	■	■	■	-	-	IPFC114	1-230	3-230
		■	■	■	■	-	-	IPFC306	3-400	3-400
	400/7T	■	■	■	■	-	-	IPFC309	3-400	3-400
	450/8T	■	■	■	■	-	-	IPFC309	3-400	3-400
	500/9T	■	■	■	■	-	-	IPFC309	3-400	3-400
	550/10T	■	-	■	-	-	-	IPFC309	3-400	3-400
	750/12T	-	-	-	-	-	■	IPFC311	3-400	3-400
800/14T	-	-	-	-	-	■	IPFC314	3-400	3-400	
900/16T	-	-	-	-	-	■	IPFC318	3-400	3-400	
950/18T	-	-	-	-	-	■	IPFC318	3-400	3-400	
1000/20T	-	-	-	-	-	■	IPFC318	3-400	3-400	

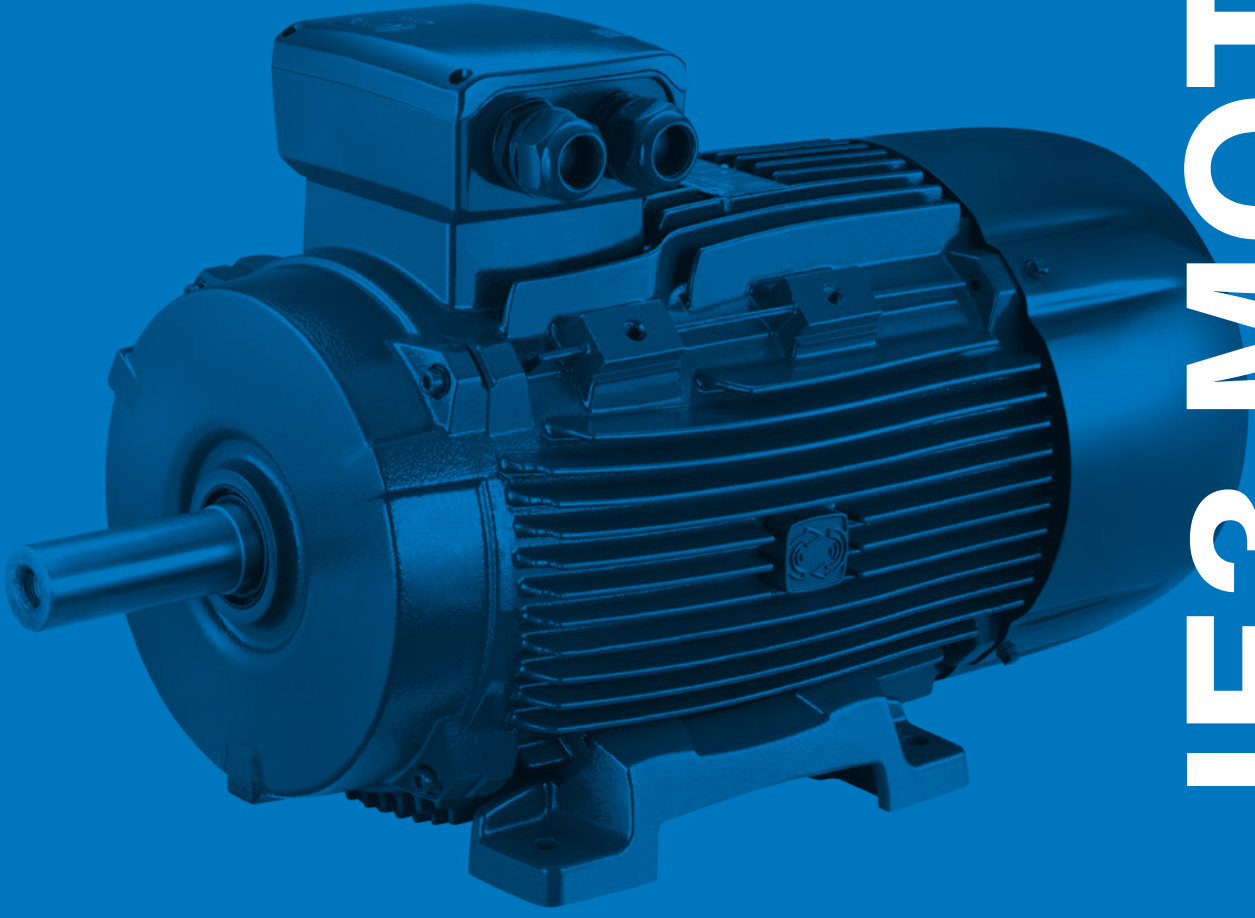


PUMP									VSD		
TYPE	MODEL	Version							TYPE	Power system	
		V	SV	L	SL/SLX	LG	HS	HX		in	out
U 18	100/1T	-	-	-	-	-	-	■	IPFC109	1-230	3-230
		-	-	-	-	-	-	■	IPFC306	3-400	3-400
	200/2T	-	-	-	-	-	-	■	IPFC109	1-230	3-230
		-	-	-	-	-	-	■	IPFC306	3-400	3-400
	250/3T	■	■	■	■	-	-	-	IPFC114	1-230	3-230
		■	■	■	■	-	-	-	IPFC306	3-400	3-400
	300/3T	-	-	-	-	-	-	■	IPFC114	1-230	3-230
		-	-	-	-	-	-	■	IPFC306	3-400	3-400
	400/4T	-	-	-	-	-	-	■	IPFC306	1-230	3-230
		■	■	■	■	-	-	-	IPFC309	3-400	3-400
	450/5T	■	■	■	■	-	-	-	IPFC309	3-400	3-400
	550/5T	-	-	-	-	-	-	■	IPFC309	3-400	3-400
	550/6T	■	■	■	■	-	-	-	IPFC311	3-400	3-400
	750/6T	-	-	-	-	-	-	■	IPFC311	3-400	3-400
	750/7T	-	-	-	-	-	-	■	IPFC311	3-400	3-400
	750/8T	■	■	■	■	-	-	-	IPFC314	3-400	3-400
	900/9T	■	■	■	■	-	-	-	IPFC318	3-400	3-400
	920/10T	-	-	-	-	■	-	-	IPFC318	3-400	3-400
	1000/8T	-	-	-	-	-	-	■	IPFC314	3-400	3-400
	1000/9T	-	-	-	-	-	-	■	IPFC314	3-400	3-400
1000/11T	-	-	-	-	■	-	-	IPFC318	3-400	3-400	
1500/10T	-	-	-	-	-	-	■	IPFC318	3-400	3-400	
1500/11T	-	-	-	-	-	-	■	IPFC318	3-400	3-400	
1500/12T	-	-	-	-	-	-	■	IPFC325	3-400	3-400	
1500/13T	-	-	-	-	-	-	■	IPFC325	3-400	3-400	
1500/14T	-	-	-	-	-	-	■	IPFC325	3-400	3-400	
2000/15T	-	-	-	-	-	-	■	IPFC325	3-400	3-400	
2000/16T	-	-	-	-	-	-	■	IPFC325	3-400	3-400	
2000/17T	-	-	-	-	-	-	■	IPFC330	3-400	3-400	
U 22	200/1T	-	-	-	-	-	-	■	IPFC109	1-230	3-230
		-	-	-	-	-	-	■	IPFC306	3-400	3-400
	300/2T	-	-	-	-	-	-	■	IPFC114	1-230	3-230
		-	-	-	-	-	-	■	IPFC306	3-400	3-400
	400/3T	-	-	-	-	-	-	■	IPFC306	3-400	3-400
	550/4T	-	-	-	-	-	-	■	IPFC309	3-400	3-400
	750/5T	-	-	-	-	-	-	■	IPFC311	3-400	3-400
	1000/6T	-	-	-	-	-	-	■	IPFC314	3-400	3-400
	1000/7T	-	-	-	-	-	-	■	IPFC318	3-400	3-400
	1500/8T	-	-	-	-	-	-	■	IPFC318	3-400	3-400
	1500/9T	-	-	-	-	-	-	■	IPFC325	3-400	3-400
	1500/10T	-	-	-	-	-	-	■	IPFC325	3-400	3-400
	2000/11T	-	-	-	-	-	-	■	IPFC325	3-400	3-400
	2000/12T	-	-	-	-	-	-	■	IPFC325	3-400	3-400
2000/13T	-	-	-	-	-	-	■	IPFC330	3-400	3-400	
2000/14T	-	-	-	-	-	-	■	IPFC330	3-400	3-400	

# ULTRA+VSD

		PUMP							VSD		
TYPE	MODEL	Version							TYPE	Power system	
		V	SV	L	SL/SLX	LG	HS	HX		in	out
U 35	300/1T	-	-	-	-	-	■	■	IPFC114	1-230	3-230
		-	-	-	-	-	■	■	IPFC306	3-400	3-400
	550/2-2RT	-	-	-	-	-	■	■	IPFC309	3-400	3-400
	550/2-1RT	-	-	-	-	-	■	■	IPFC309	3-400	3-400
	750/2T	-	-	-	-	-	■	■	IPFC311	3-400	3-400
	750/3-2RT	-	-	-	-	-	■	■	IPFC311	3-400	3-400
	1000/3-1RT	-	-	-	-	-	■	■	IPFC314	3-400	3-400
	1000/3T	-	-	-	-	-	■	■	IPFC314	3-400	3-400
	1000/4-2RT	-	-	-	-	-	■	■	IPFC318	3-400	3-400
	1500/4-1RT	-	-	-	-	-	■	■	IPFC318	3-400	3-400
	1500/4T	-	-	-	-	-	■	■	IPFC325	3-400	3-400
	1500/5-2RT	-	-	-	-	-	■	■	IPFC325	3-400	3-400
	1500/5-1RT	-	-	-	-	-	■	■	IPFC325	3-400	3-400
	2000/5T	-	-	-	-	-	■	■	IPFC325	3-400	3-400
	2000/6-2RT	-	-	-	-	-	■	■	IPFC325	3-400	3-400
	2000/6-1RT	-	-	-	-	-	■	■	IPFC330	3-400	3-400
2000/6T	-	-	-	-	-	■	■	IPFC330	3-400	3-400	
2000/7-2RT	-	-	-	-	-	■	■	IPFC330	3-400	3-400	
2000/7-1RT	-	-	-	-	-	■	■	IPFC330	3-400	3-400	
U 50	400/1-1RT	-	-	-	-	-	■	■	IPFC114	1-230	3-230
		-	-	-	-	-	■	■	IPFC306	3-400	3-400
	550/1T	-	-	-	-	-	■	■	IPFC309	3-400	3-400
	750/2-2RT	-	-	-	-	-	■	■	IPFC311	3-400	3-400
	1000/2T	-	-	-	-	-	■	■	IPFC318	3-400	3-400
	1500/3-2RT	-	-	-	-	-	■	■	IPFC325	3-400	3-400
	1500/3T	-	-	-	-	-	■	■	IPFC325	3-400	3-400
	2000/4-2RT	-	-	-	-	-	■	■	IPFC325	3-400	3-400
2000/4T	-	-	-	-	-	■	■	IPFC330	3-400	3-400	
U 75	550/1-1RT	-	-	-	-	-	■	■	IPFC309	3-400	3-400
	750/1T	-	-	-	-	-	■	■	IPFC311	3-400	3-400
	1000/2-2RT	-	-	-	-	-	■	■	IPFC318	3-400	3-400
	1500/2-1RT	-	-	-	-	-	■	■	IPFC318	3-400	3-400
	1500/2T	-	-	-	-	-	■	■	IPFC325	3-400	3-400
	2000/3-2RT	-	-	-	-	-	■	■	IPFC325	3-400	3-400
	2000/3-1RT	-	-	-	-	-	■	■	IPFC330	3-400	3-400
U 90	750/1-1RT	-	-	-	-	-	■	■	IPFC311	3-400	3-400
	1000/1T	-	-	-	-	-	■	■	IPFC318	3-400	3-400
	1500/2-2RT	-	-	-	-	-	■	■	IPFC325	3-400	3-400
	2000/2T	-	-	-	-	-	■	■	IPFC330	3-400	3-400





# IE3 MOTORS

# 80-132 (0,75 kW-7,5 kW)

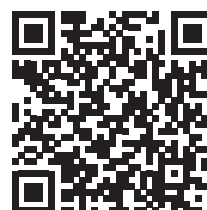


## Construction features

<b>Frame</b>	aluminum alloy
<b>Multiple voltage/ Multi-frequency</b>	50/60 Hz
<b>Duty service</b>	S1 continuous
<b>Winding</b>	tropicalized suitable for inverter power supply
<b>ATEX (dust and gas)</b>	version available: II 3G Ex nA IIB T4 Gc II 3D Ex tc IIIB T125°C Dc

## Motor

<b>Motor</b>	closed and externally ventilated
<b>Insulation class</b>	F (on request H)
<b>Protection degree</b>	IPX5 (on request IP56, IP66, IP67)
<b>Efficiency class</b>	IE3, IEC60034-30-1



# 160-355 (11 kW-315 kW)



Construction features	
<b>Frame</b>	cast iron
<b>Multiple voltage/ Multi-frequency</b>	50/60 Hz
<b>Duty service</b>	S1 continuous
<b>Winding</b>	tropicalized and reinforced insulation for inverter power supply ( $P \geq 110\text{kW}$ we recommend to order the motor with insulated bearings option). Windings with PTC (n° 3) thermistor as standard.
<b>ATEX (dust and gas)</b>	version available: II 3G Ex nA IIB T4 Gc II 3D Ex tc IIIB T125°C Dc

Motor	
<b>Motor</b>	closed and externally ventilated
<b>Insulation class</b>	F (on request H)
<b>Protection degree</b>	IPX5 (on request IP56, IP66, IP67)
<b>Efficiency class</b>	IE3, IEC60034-30-1



TYPE	kW	HP	rpm	In (A)	Is (A)	Is In	Cn (Nm)	Cs (Nm)	Cs Cn	Cmax (Nm)	Cmax Cn
80A-2	0,75	1	2892	1,74	11,84	6,8	2,48	8,6	3,5	9,18	3,7
80B-2	1,1	1,5	2885	2,26	16,74	7,4	3,64	10,9	3	12,74	3,5
90S-2	1,5	2	2894	3,22	23,78	7,4	4,95	20,1	4,1	18,78	3,8
90L-2	2,2	3	2891	4,58	35,2	7,7	7,27	30,3	4,2	30,83	4,2
100L-2	3	4	2898	5,8	44,87	7,7	9,89	30,8	3,1	35,98	3,6
112M-2	4	5,5	2894	7,48	59,55	7	13,2	33,05	2,8	37,02	3,5
132SA-2	5,5	7,5	2940	10,14	70,59	7	17,87	37,7	2,1	35,79	2
132SB-2	7,5	10	2925	13,35	95	7,1	24,49	53,5	2,2	78,5	3,2
160MA-2	11	15	2937	19,72	123,05	6,2	35,77	73,32	2,1	100,15	2,8
160MB-2	15	20	2938	26,29	150,23	5,7	48,76	95,08	2	121,89	2,5
160L-2	18,5	25	2942	32,15	192,92	6	60,05	124,31	2,1	179	2,1
180M-2	22	30	2950	37,53	304,03	8,1	71,22	163,81	2,3	220,8	3,1
200LA-2	30	40	2940	51,51	386,34	7,5	97,45	224,13	2,3	223,37	2,3
200LB-2	37	50	2960	63,26	474,46	7,5	119,38	274,56	2,3	275,49	2,3
225M-2	45	60	2960	76,69	582,87	7,6	145,19	333,93	2,3	332,8	2,3
250M-2	55	75	2970	94,39	707,92	7,5	176,85	406,76	2,3	406,76	2,3
280S-2	75	100	2970	127,01	876,39	6,9	241,16	530,56	2,2	554,67	2,3
280M-2	90	125	2970	151,93	1078,73	7,1	289,39	636,67	2,2	665,61	2,3
315S-2	110	150	2970	185,31	1315,68	7,1	353,7	707,41	2	778,15	2,2
315MA-2	132	180	2970	221,67	1573,86	7,1	424,44	848,89	2	933,78	2,2
315LA-2	160	215	2970	265,46	1884,77	7,1	514,48	1028,96	2	1131,85	2,2
315LB-2	200	270	2970	330,79	2348,59	7,1	643,1	1286,2	2	1414,81	2,2
355M-2	250	335	2980	413,48	2935,74	7,1	801,17	1602,35	2	1762,58	2,2
355L-2	315	423	2980	520,99	3699,03	7,1	1009,48	2018,96	2	2220,86	2,2

TYPE	η%				min IE3	Fatt. pot. cos φ			ΔT (°C)	LwA (dB)	J Kgm2	Kg
	100%	IE	75%	50%		100%	75%	50%				
80A-2	80,9	IE3	79,6	76,4	80,7	0,77	0,7	0,566	35	65	0,00158	17
80B-2	84,5	IE3	84,7	82,8	82,7	0,83	0,77	0,652	41	65	0,00185	18
90S-2	85,3	IE3	85,2	83,7	84,2	0,788	0,71	0,588	37	71	0,00383	23
90L-2	86,2	IE3	86,4	84,7	85,9	0,81	0,71	0,61	43	71	0,00726	26
100L-2	87,1	IE3	87,7	86,8	87,1	0,857	0,807	0,692	51	75	0,01439	35
112M-2	89,6	IE3	90,5	90,2	88,1	0,862	0,81	0,719	52	77	0,01663	43
132SA-2	91	IE3	89,7	87,4	89,2	0,86	0,84	0,761	48	78	0,033	66
132SB-2	91,6	IE3	92,4	92,9	90,1	0,885	0,85	0,76	60	78	0,0396	73
160MA-2	91,4	IE3	91,2	89,7	91,2	0,881	0,864	0,812	49	81	0,04976	120
160MB-2	92	IE3	92,6	91,8	91,9	0,895	0,877	0,841	61	81	0,06587	132
160L-2	93	IE3	93,7	93	92,4	0,893	0,875	0,827	58	81	0,0726	150
180M-2	94	IE3	93,9	93	92,7	0,9	0,88	0,87	41	83	0,099	205
200LA-2	93,4	IE3	94,4	90,7	93,3	0,9	0,881	0,82	65	84	0,16368	250
200LB-2	93,8	IE3	93,6	90,2	93,7	0,9	0,887	0,84	65	84	0,18348	270
225M-2	94,1	IE3	93,9	90,7	94	0,9	0,878	0,816	65	86	0,30756	315
250M-2	94,5	IE3	92,6	88,5	94,3	0,89	0,872	0,825	65	89	0,41184	420
280S-2	94,7	IE3	92,8	88,7	94,7	0,9	0,896	0,875	55	91	0,76428	550,8
280M-2	95	IE3	94,9	92,9	95	0,9	0,894	0,857	65	91	0,891	625
315S-2	95,2	IE3	95,1	93,1	95,2	0,9	0,894	0,857	65	92	1,5576	968
315MA-2	95,5	IE3	95,4	93,4	95,4	0,9	8,894	0,857	65	92	2,4024	1100
315LA-2	95,6	IE3	95,5	93,5	95,6	0,91	0,904	0,867	65	92	2,7456	1160,5
315LB-2	95,9	IE3	95,8	93,8	95,8	0,91	0,904	0,867	65	92	3,1416	1221
355M-2	95,9	IE3	95,8	93,8	95,8	0,91	0,904	0,867	65	100	3,96	2090
355L-2	95,9	IE3	95,8	93,8	95,8	0,91	0,904	0,867	65	100	4,62	2530





TYPE	kW	HP	rpm	In (A)	Is (A)	Is In	Cn (Nm)	Cs (Nm)	Cs Cn	Cmax (Nm)	Cmax Cn
80B-4	0,75	1	1430	1,87	11,24	6	5,01	16,9	3,4	12,8	2,6
90S-4	1,1	1,5	1431	2,54	15,83	6,2	7,34	25,6	3,5	24,5	3,3
90L-4	1,5	2	1438	3,38	19,62	5,8	9,96	32,11	3,2	34,9	3,5
100LA-4	2,2	3	1425	4,35	34,15	7,8	14,74	41,27	2,8	41,27	2,8
100LB-4	3	4	1450	6,07	46,83	7,7	19,76	54,3	2,7	56,31	2,8
112M-4	4	5,5	1442	7,95	54,51	6,9	26,49	74,03	2,9	74,22	3,3
132S-4	5,5	7,5	1454	10,64	68,01	6,4	36,12	75,86	2,1	101,15	2,8
132M-4	7,5	10	1460	14,39	94,37	6,6	49,06	91,8	1,9	132,46	2,7
160M-4	11	15	1468	20,76	121,31	5,8	71,56	121,5	1,7	193,21	2,7
160L-4	15	20	1460	28,19	140,97	5	98,12	166,6	1,7	255,1	2,6
180M-4	18,5	25	1477	33,53	206,45	6,2	120,94	202,5	1,7	384,23	3,2
180L-4	22	30	1470	39,62	297,13	7,5	142,93	314,44	2,2	328,73	2,3
200L-4	30	40	1480	53,48	385,07	7,2	193,58	425,88	2,2	445,24	2,3
225S-4	37	50	1480	65,37	490,3	7,5	238,75	525,25	2,2	549,13	2,3
225M-4	45	60	1480	77,39	588,17	7,6	290,37	638,82	2,2	667,85	2,3
250M-4	55	75	1480	93,89	713,58	7,6	354,9	780,78	2,2	816,27	2,3
280S-4	75	100	1480	127,9	882,51	6,9	483,95	1064,7	2,2	1113,09	2,3
280M-4	90	120	1485	155,06	1085,43	7	578,79	1273,33	2,2	1331,21	2,3
315S-4	110	150	1480	188,92	1303,57	6,9	709,8	1561,55	2,2	1632,53	2,3
315M-4	132	180	1480	226,23	1561,02	6,9	851,76	1873,86	2,2	1959,04	2,3
315LA-4	160	220	1480	273,65	1888,2	6,9	1032,43	2271,35	2,2	2374,59	2,3
315LB-4	200	270	1480	341,71	2357,79	6,9	1290,54	2839,19	2,2	2968,24	2,3
355M-4	250	335	1490	417,21	2878,74	6,9	1602,35	3525,17	2,2	3685,4	2,3
355L-4	315	423	1490	526,23	3630,99	6,9	2018,96	4441,71	2,2	4643,61	2,3



TYPE	η %				min IE3	Fatt. pot. cos φ			ΔT (°C)	LwA (dB)	J Kgm2	Kg
	100%	IE	75%	50%		100%	75%	50%				
80B-4	82,9	IE3	82,6	79,2	82,5	0,7	0,6	0,451	38	56	0,00277	18
90S-4	84,8	IE3	86,2	85,5	84,1	0,738	0,66	0,516	44	61	0,00304	25
90L-4	85,9	IE3	86,3	85,1	85,3	0,747	0,658	0,569	47	61	0,00356	30
100LA-4	86,7	IE3	86,9	86	86,7	0,841	0,782	0,7	53	64	0,00713	36
100LB-4	89	IE3	89,3	88	87,7	0,801	0,72	0,7	57	64	0,00893	40
112M-4	89,1	IE3	90,3	90,5	88,6	0,815	0,76	0,641	53	65	0,01267	46
132S-4	89,9	IE3	92,1	92,4	89,6	0,83	0,77	0,675	61	71	0,02853	70
132M-4	90,5	IE3	90,8	89,9	90,4	8,831	0,79	0,699	46	71	0,03946	81
160M-4	91,8	IE3	91,7	90,4	91,4	0,833	0,79	0,675	52	73	0,08133	125
160L-4	92,3	IE3	93,1	92,3	92,3	0,832	0,78	0,68	61	75	0,12239	150
180M-4	92,6	IE3	92,1	90,2	92,6	0,87	0,817	0,724	40	76	0,18531	170,6
180L-4	93,2	IE3	91,7	91	93	0,86	0,832	0,761	80	76	0,21065	189,3
200L-4	93,6	IE3	93,8	92,8	93,6	0,865	0,818	0,767	80	79	0,3493	254,8
225S-4	93,9	IE3	92,7	92	93,9	0,87	0,839	0,776	75	81	0,54128	268,3
225M-4	94,3	IE3	93,3	92,8	94,2	0,89	0,872	0,807	80	81	0,62527	353
250M-4	95	IE3	94,2	93,5	94,6	0,89	0,862	0,8	75	83	0,87991	450
280S-4	95,1	IE3	93,5	91	95	0,89	0,863	0,843	70	86	1,716	605
280M-4	95,2	IE3	93,5	92	95,2	0,88	0,872	0,838	65	86	1,9668	700
315S-4	95,5	IE3	93,8	92,3	95,4	0,88	0,872	0,838	65	87	4,1316	925
315M-4	95,7	IE3	94	92,5	95,6	0,88	0,872	0,838	55	87	4,818	1180
315LA-4	95,9	IE3	94,2	92,7	95,8	0,88	0,872	0,838	75	87	5,42784	1160,5
315LB-4	96	IE3	94,3	92,8	96	0,88	0,872	0,838	70	87	6,3492	1240,8
355M-4	96,1	IE3	94,4	92,9	96	0,9	0,892	0,857	75	94	8,6196	1870
355L-4	96	IE3	94,3	92,8	96	0,9	0,892	0,857	70	94	10,8768	2090



## 4 POLES IE3

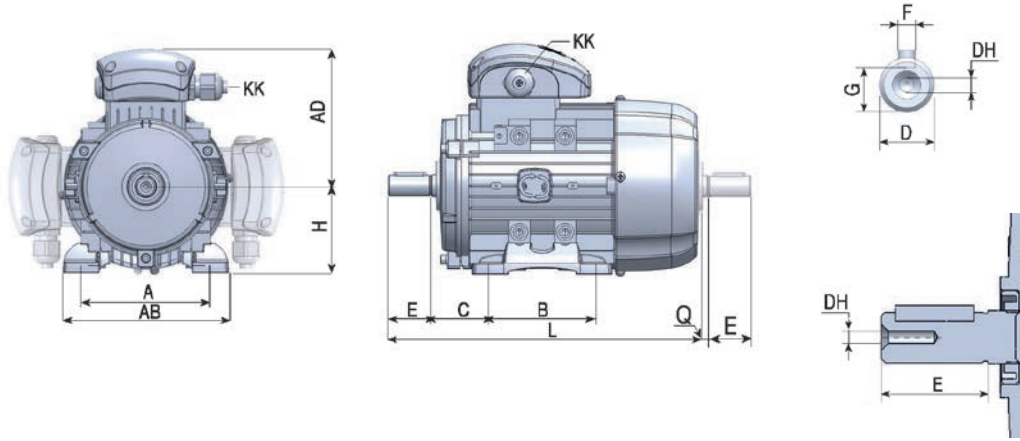
## Data at 400V - 50Hz

The following voltages and frequencies are inside the standard power supply of all three-phase motors, under S1 duty service.

SIZE	Hz	V	
			
80-112	50 ±5%	230	400
		220	380
		240	415
	60 ±5%	260	440
		220	380
		265	460
132-355	50 ±5%	280	480
		400	690
		380	660
	60 ±5%	415	720
		440	760
		380	660
		460	795
		480	830

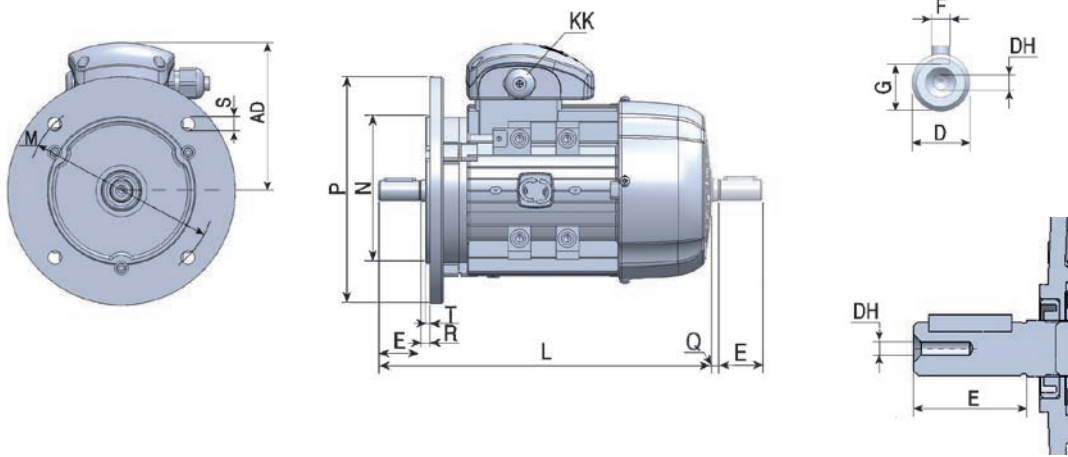
All electrical data refer to motors at 50 Hz. These may be connected to 60 Hz, taking into account the multiplier coefficients in the table below.

V 50Hz	V 60Hz	W	In (A)	Cn (Nm)	rpm	Is (A)	CS (Nm)	C max (Nm)
230 ± 10%	230 ± 5%	1	1	0,83	1,2	0,83	0,83	0,83
230 ± 10%	230 ± 10%	1	0,95	0,83	1,2	0,83	0,83	0,83
230 ± 10%	240 ± 5%	1,05	1	0,87	1,2	0,87	0,87	0,87
400 ± 10%	380 ± 5%	1	1	0,83	1,2	0,83	0,83	0,83
400 ± 10%	400 ± 10%	1	0,95	0,83	1,2	0,83	0,83	0,83
400 ± 10%	415 ± 10%	1,05	1	0,87	1,2	0,87	0,87	0,87
400 ± 10%	440 ± 10%	1,10	1	0,90	1,2	0,93	0,93	0,93
400 ± 10%	460 ± 5%	1,15	1	0,96	1,2	0,96	0,96	0,96
400 ± 10%	480 ± 5%	1,20	1	1	1,2	1	1	1



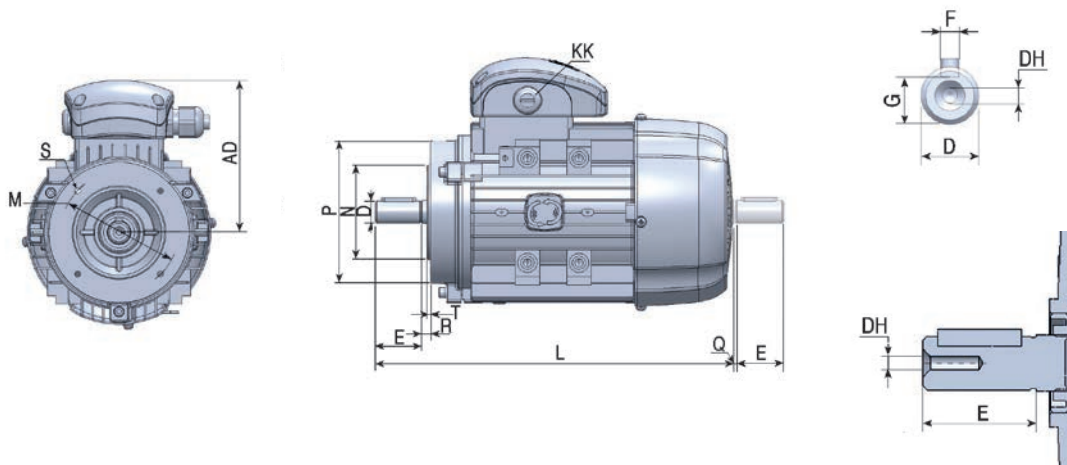
DIMENSIONS (mm)

TYPE	POLES	AD	H	KK	L	D	DH	E	Q	F	G	B3				
												A	AB	B	C	K
80	2-8	130	80	M20	283	19	M6×16	40	3	6	15,5	125	157	100	50	10
90S	2-8	145	90	M20	330	24	M8×19	50	5	8	20	140	173	100	56	10
90L	2-8	145	90	M20	358	24	M8×19	50	5	8	20	140	173	125	56	10
100	2-8	157	100	M20	393	28	M10×22	60	5	8	24	160	196	140	63	12
112M	2-8	177	112	M25	410	28	M10×22	60	5	8	24	190	227	140	70	12
132S	2-8	197	132	M32	480	38	M12×28	80	5	10	33	216	262	140	89	12
132M	2-8	197	132	M32	516	38	M12×28	80	5	10	33	216	262	178	89	12
160M	2-8	255	160	2×M40	613	42	M16×36	110	5	12	37	254	320	210	108	15
160L	2-8	252	160	2×M40	708	42	M16×36	110	5	12	37	254	320	254	108	15
180M	2-8	270	180	2×M40	730	48	M16×36	110	8	14	42,5	279	355	241	121	15
180L	2-8	270	180	2×M40	780	48	M16×36	110	8	14	42,5	279	355	279	121	15
200L	2-8	303	200	2×M50	771	55	M20×42	110	12	16	49	318	395	305	133	19
225S	2-8	312	225	2×M50	815	60	M20×42	140	12	18	53	356	435	286	149	19
225M	2	312	225	2×M50	820	55	M20×42	110	12	16	49	356	435	286/311	149	19
225M	4-8	312	225	2×M50	850	60	M20×42	140	12	18	53	356	435	286/311	149	19
250M	2	355	250	2×M63	910	60	M20×42	140	12	18	53	406	490	349	168	24
250M	4-8	355	250	2×M63	910	65	M20×42	140	12	18	58	406	490	349	168	24
280S	2	398	280	2×M63	985	65	M20×42	140	12	18	58	457	550	368	190	24
280S	4-8	398	280	2×M63	985	75	M20×42	140	12	20	67,5	457	550	368	190	24
280M	2	398	280	2×M63	1035	65	M20×42	140	12	18	58	457	550	368/419	190	24
280M	4-8	398	280	2×M63	1035	75	M20×42	140	12	20	67,5	457	550	368/419	190	24
315S	2	540	315	2×M63	1160	65	M20×42	140	15	18	58	508	630	406	216	28
315S	4-8	540	315	2×M63	1270	80	M20×42	170	15	22	71	508	630	406	216	28
315M	2	540	315	2×M63	1290	65	M20×42	140	15	18	58	508	630	457	216	28
315M	4-8	540	315	2×M63	1325	80	M20×42	170	15	22	71	508	630	457	216	28
315L	2	540	315	2×M63	1320	65	M20×42	140	15	18	58	508	630	508	216	28
315L	4-8	540	315	2×M63	1350	80	M20×42	170	15	22	71	508	630	508	216	28
355M	2	655	355	2×M63	1500	75	M20×42	140	15	20	67,5	610	730	560/630	254	28
355M	4-8	655	355	2×M63	1530	95	M20×42	170	15	25	86	610	730	560/630	254	28
355L	2	655	355	2×M63	1500	75	M20×42	140	15	20	67,5	610	730	560/630	254	28
355L	4-8	655	355	2×M63	1530	95	M20×42	170	15	25	86	610	730	560/630	254	28



DIMENSIONS (mm)																
TYPE	POLES	AD	H	KK	L	D	DH	E	Q	F	G	B5				
												M	N	P	S	T
80	2-8	130	80	M20	283	19	M6×16	40	3	6	15,5	165	130	200	12×4	3,5
90S	2-8	145	90	M20	330	24	M8×19	50	5	8	20	165	130	200	12×4	3,5
90L	2-8	145	90	M20	358	24	M8×19	50	5	8	20	165	130	200	12×4	3,5
100	2-8	157	100	M20	393	28	M10×22	60	5	8	24	215	180	250	15×4	4
112M	2-8	177	112	M25	410	28	M10×22	60	5	8	24	215	180	250	15×4	4
132S	2-8	197	132	M32	480	38	M12×28	80	5	10	33	265	230	300	15×4	4
132M	2-8	197	132	M32	516	38	M12×28	80	5	10	33	265	230	300	15×4	4
160M	2-8	255	160	2×M40	613	42	M16×36	110	5	12	37	300	250	350	19×4	5
160L	2-8	252	160	2×M40	708	42	M16×36	110	5	12	37	300	250	350	19×4	5
180M	2-8	270	180	2×M40	730	48	M16×36	110	8	14	42,5	300	250	350	19×4	5
180L	2-8	270	180	2×M40	780	48	M16×36	110	8	14	42,5	300	250	350	19×4	5
200L	2-8	303	200	2×M50	771	55	M20×42	110	12	16	49	350	300	400	19×4	5
225S	2-8	312	225	2×M50	815	60	M20×42	140	12	18	53	400	350	450	19×8	5
225M	2	312	225	2×M50	820	55	M20×42	110	12	16	49	400	350	450	19×8	5
225M	4-8	312	225	2×M50	850	60	M20×42	140	12	18	53	400	350	450	19×8	5
250M	2	355	250	2×M63	910	60	M20×42	140	12	18	53	500	450	550	19×8	5
250M	4-8	355	250	2×M63	910	65	M20×42	140	12	18	58	500	450	550	19×8	5
280S	2	398	280	2×M63	985	65	M20×42	140	12	18	58	500	450	550	19×8	5
280S	4-8	398	280	2×M63	985	75	M20×42	140	12	20	67,5	500	450	550	19×8	5
280M	2	398	280	2×M63	1035	65	M20×42	140	12	18	58	500	450	550	19×8	5
280M	4-8	398	280	2×M63	1035	75	M20×42	140	12	20	67,5	500	450	550	19×8	5
315S	2	540	315	2×M63	1160	65	M20×42	140	15	18	58	600	550	660	24×8	6
315S	4-8	540	315	2×M63	1270	80	M20×42	170	15	22	71	600	550	660	24×8	6
315M	2	540	315	2×M63	1290	65	M20×42	140	15	18	58	600	550	660	24×8	6
315M	4-8	540	315	2×M63	1325	80	M20×42	170	15	22	71	600	550	660	24×8	6
315L	2	540	315	2×M63	1320	65	M20×42	140	15	18	58	600	550	660	24×8	6
315L	4-8	540	315	2×M63	1350	80	M20×42	170	15	22	71	600	550	660	24×8	6
355M	2	655	355	2×M63	1500	75	M20×42	140	15	20	67,5	740	680	800	24×8	6
355M	4-8	655	355	2×M63	1530	95	M20×42	170	15	25	86	740	680	800	24×8	6
355L	2	655	355	2×M63	1500	75	M20×42	140	15	20	67,5	740	680	800	24×8	6
355L	4-8	655	355	2×M63	1530	95	M20×42	170	15	25	86	740	680	800	24×8	6





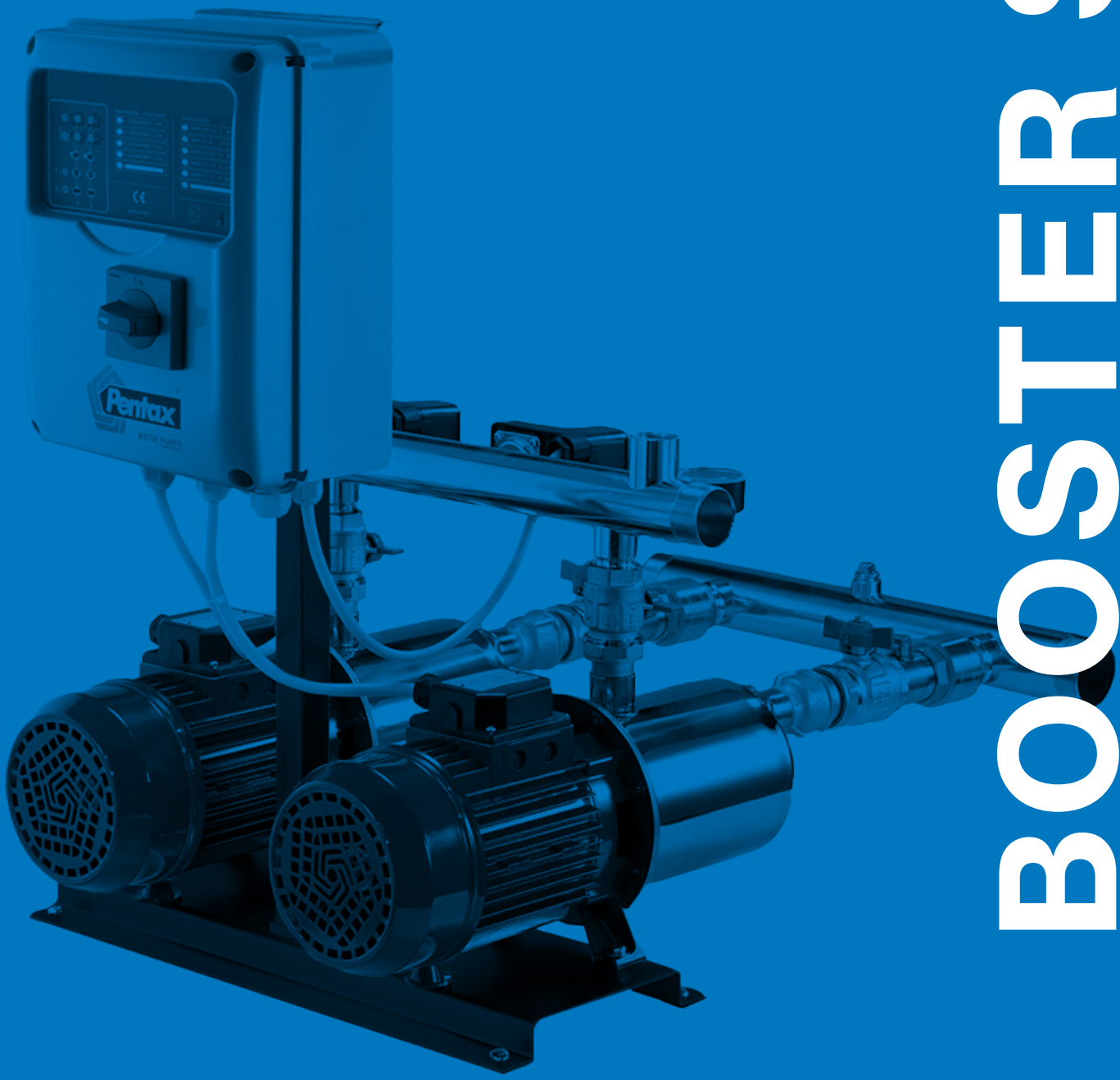
**B14**

DIMENSIONS (mm)																
TYPE	POLES	AD	H	KK	L	D	DH	E	Q	F	G	B14				
												M	N	P	S	T
80	2-8	130	80	M20	283	19	M6×16	40	3	6	15,5	100	80	120	M6	3
90S	2-8	145	90	M20	330	24	M8×19	50	5	8	20	115	95	140	M8	3
90L	2-8	145	90	M20	358	24	M8×19	50	5	8	20	115	95	140	M8	3
100	2-8	157	100	M20	393	28	M10×22	60	5	8	24	130	110	160	M8	3,5
112M	2-8	177	112	M25	410	28	M10×22	60	5	8	24	130	110	160	M8	3,5
132S	2-8	197	132	M32	480	38	M12×28	80	5	10	33	165	130	200	M10	3,5
132M	2-8	197	132	M32	516	38	M12×28	80	5	10	33	165	130	200	M10	3,5
160M	2-8	255	160	2×M40	613	42	M16×36	110	5	12	37	215	180	250	M12	4
160L	2-8	252	160	2×M40	708	42	M16×36	110	5	12	37	215	180	250	M12	4

**B5R/B14**

DIMENSIONS (mm)																
TYPE	POLES	AD	H	KK	L	D	DH	E	Q	F	G	B5R / B14B				
												M	N	P	S	T
80	2-8	130	80	M20	283	19	M6×16	40	3	6	15,5	130	110	160	M8	3,5
90S	2-8	145	90	M20	330	24	M8×19	50	5	8	20	130	110	160	M8	3,5
90L	2-8	145	90	M20	358	24	M8×19	50	5	8	20	130	110	160	M8	3,5
100	2-8	157	100	M20	393	28	M10×22	60	5	8	24	165	130	200	M10	3,5
112M	2-8	177	112	M25	410	28	M10×22	60	5	8	24	165	130	200	M10	3,5
132S	2-8	197	132	M32	480	38	M12×28	80	5	10	33	215	180	250	M10	4
132M	2-8	197	132	M32	516	38	M12×28	80	5	10	33	215	180	250	M10	4
160M	2-8	255	160	2×M40	613	42	M16×36	110	5	12	37	265	230	300	14×4	5
160L	2-8	252	160	2×M40	708	42	M16×36	110	5	12	37	265	230	300	14×4	5





# BOOSTER SET

# AQUADOMUS

Booster set

Aquadomus is an integrated 'Plug&Play' system to manage water pressurization for domestic and residential applications. The electronic control (E-IPFC) manages the operation of the system in order to maintain the pressure constant even if the conditions of use change. It can be driven and monitored by a dedicated app "Pentax IPFC". It consists of a multistage pump, a permanent magnet synchronous motor, an electronic inverter control, an expansion tank, a no return valve, a pressure sensor, a cable with plug.

## Construction features

<b>Liquid temperature</b>	-5 ÷ +35 °C
<b>Rated pressure</b>	max 7 bar
<b>4 poles synchronous motor with permanent magnet</b>	4200 RPM
<b>Input voltage</b>	1~ 230V-50Hz 1~ 220V-60Hz
<b>Insulation class</b>	F
<b>Protection degree</b>	IPX4
<b>Max rated current</b>	3,7 A



Constant pressure even if the conditions of use change



Dedicated Pentax IPFC App for programming and monitoring (compatible with iOS and Android)



Bluetooth smart pump





# PENTAX IPFC



Dedicated app for control and programming of Aquadomus



## APP FUNCTIONALITY

- **Monitor:** monitoring several operative parameters. Obtaining energy consumption statistics and check alarm history

---

- **Program:** create programs, save them in the archive, copy them to other devices and share them among multiple users

---

- **Archive:** create reports with the ability to insert notes, images and send them by e-mail or keep them in the digital archive

---

- **Remote:** remotely control an Aquadomus via wi-fi or GSM by using a nearby smartphone as a modem

---

- **Manuals:** access manuals and supplementary technical documentation

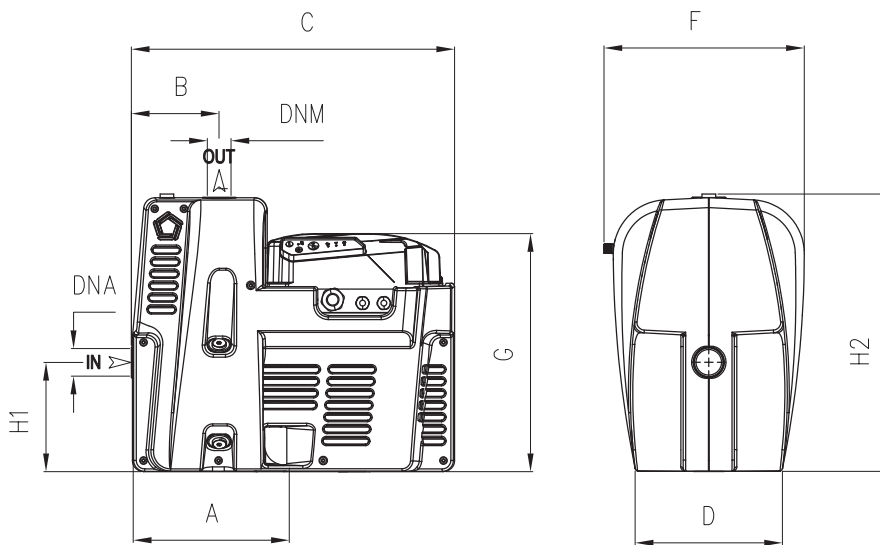
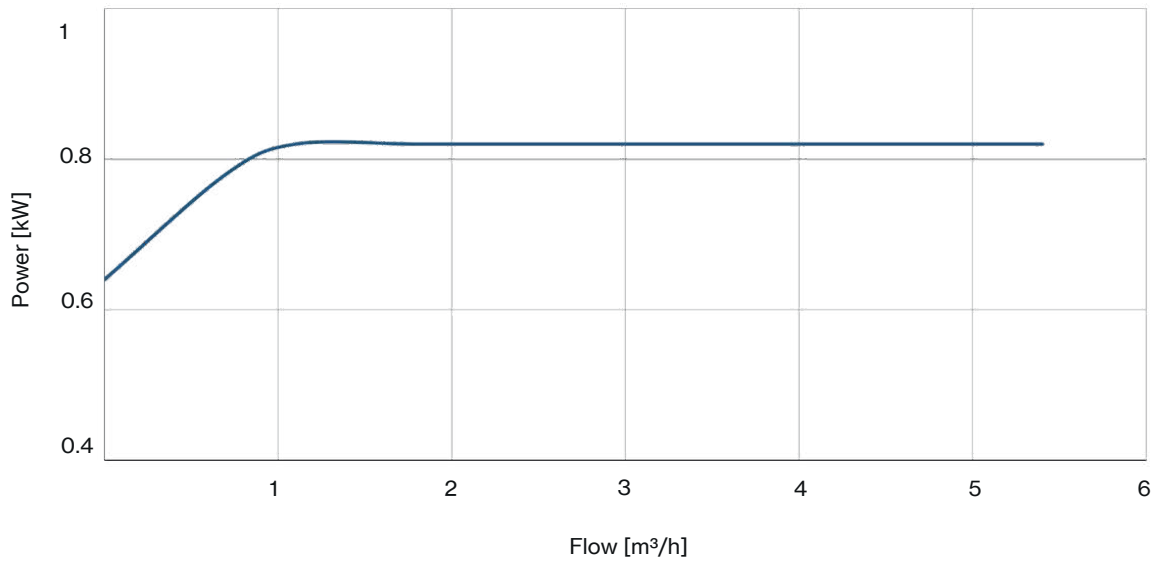
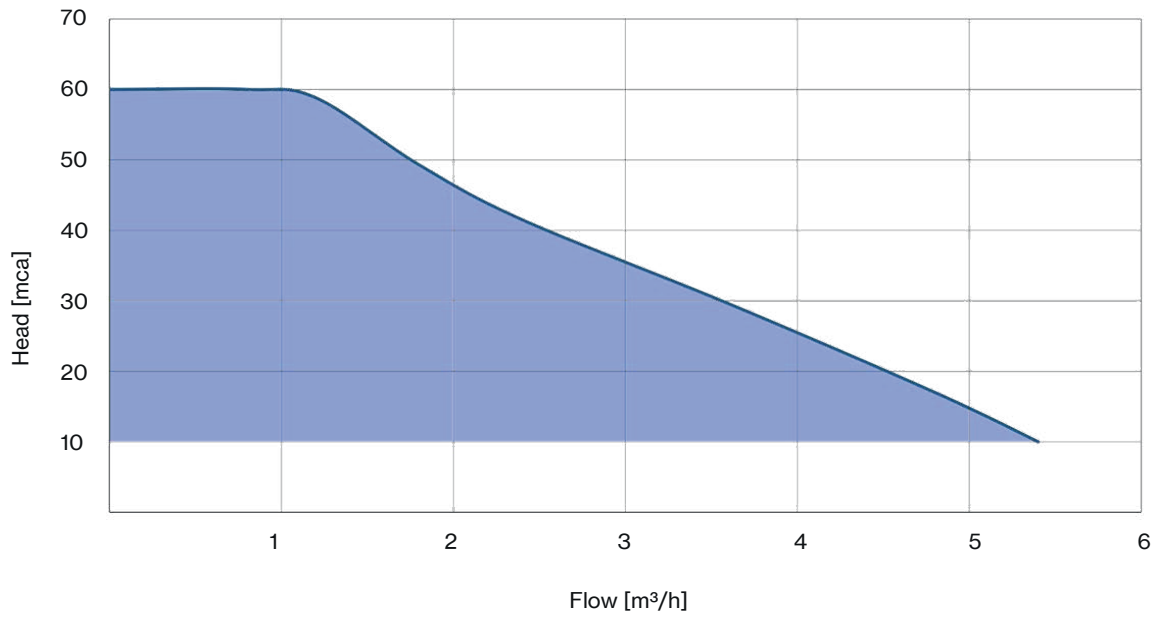
---

- **Guide:** receive online assistance on parameters and alarms

---




# PENTAX IPFC



TYPE	DIMENSIONS (mm)										Kg
	A	B	C	D	F	G	H1	H2	DNA	DNM	
Aquadomus	166,8	103	377	173	235	280	128	129,5	1" G	1" G	11



# SUPERDOMUS

Booster set



INOX 100N-24 L

INOX BOX 100N-24 L

PM 45-24 L

## Fixed speed booster set with one pump and membrane tank

### DESCRIPTION

Compact, built-in, fully automatic pressurization units consisting of a single pump, membrane tank, pressure switch, pressure gauge, connectors and cable with plug. They are ready for installation and suitable for pressure boosting in water systems for domestic use and industrial applications.

### FUNCTIONING

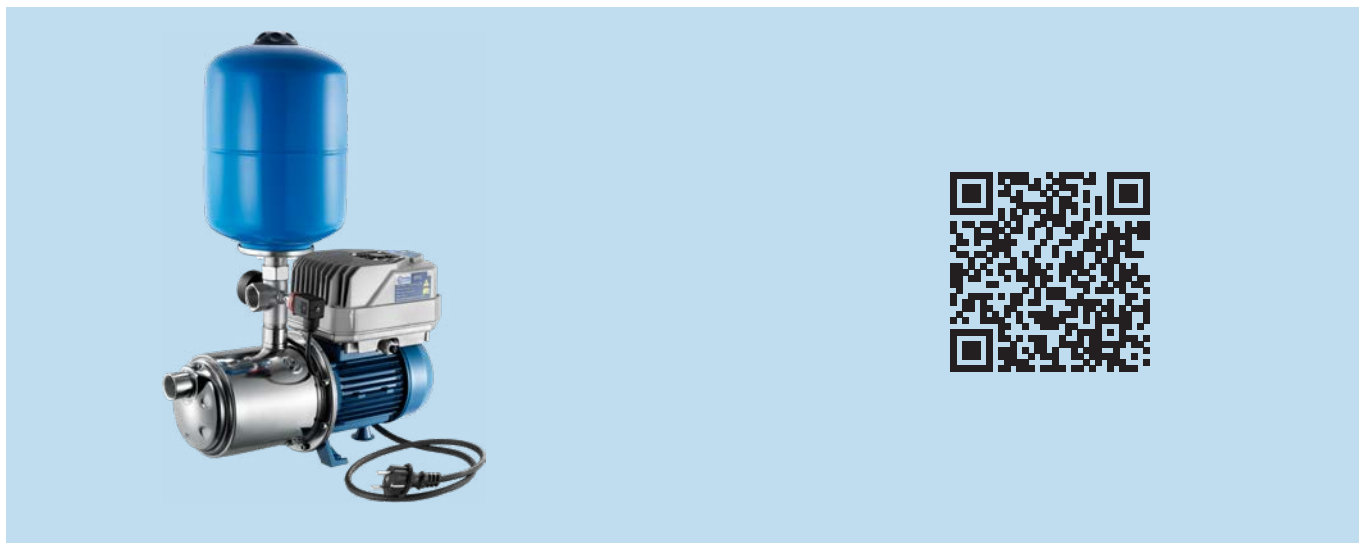
The pump switches on automatically when the pressure drops below the minimum set value. When water demand ends, the pump will fill up the tank and then it turns off when the pressure reaches the maximum set value.

TYPE		P2		P1 (kW)		Pipe		Tank capacity					
1~	3~	HP	KW	1~	3~	Suction ("G)	Delivery ("G)	8 L	20-24 L		50 L	100 L	
								cylindrical	spherical	cylindrical	inox	cylindrical	cylindrical
CP 45	-	0,5	0,37	0,5	-	1	1	■	■	-	-	-	-
CP 75	-	1	0,74	1,11	-	1	1	■	■	-	-	-	-
PM 45	-	0,5	0,37	0,5	-	1	1	■	■	-	-	-	-
PM 80	-	1	0,74	1,1	-	1	1	■	■	-	-	-	-
CAM 50N	-	0,6	0,44	0,7	-	1	1	■	-	■	-	-	-
CAM 75N	-	0,8	0,59	0,82	-	1	1	■	-	■	-	■	-
CAM 100N	-	1	0,74	1,04	-	1	1	-	■	■	-	■	-
CAM 120	-	1,2	0,88	1,14	-	1	1	-	■	■	-	■	-
CAM 140	-	1,5	1,1	1,3	-	1	1	-	■	■	-	■	-
CAM 150	CAMT 150	1,5	1,1	1,9	1,8	1½	1¼	-	-	-	-	-	■
CAM 200	CAMT 200	2	1,5	2,2	2,1	1½	1¼	-	-	-	-	-	■
-	CAMT 300	3	2,2	-	2,5	1½	1¼	-	-	-	-	-	■
INOX 100N	-	1	0,74	1,04	-	1	1	-	-	■	■	■	-
INOX 120	-	1,2	0,88	1,14	-	1	1	-	-	■	■	■	-
INOX 140	-	1,5	1,1	1,3	-	1	1	-	-	■	■	■	-
CAB 150	CABT 150	1,5	1,1	1,74	1,68	1½	1	-	-	■	-	■	-
CAB 200	CABT 200	2	1,5	2,22	2,1	1½	1	-	-	-	-	■	■
CAB 300	CABT 300	3	2,2	2,65	2,5	1½	1	-	-	-	-	-	■
AP 75	-	0,8	0,59	0,8	-	1¼	1	-	-	■	-	-	-
AP 100	-	1	0,74	1,02	-	1¼	1	-	-	■	-	-	-
AP 150	APT 150	1,5	1,1	1,65	1,65	1¼	1	-	-	■	-	■	-
AP 200	APT 200	2	1,5	2,22	2,22	1¼	1	-	-	-	-	■	-
MPX 100	-	1	0,74	1,07	-	1	1	-	-	-	■	-	-
MPX 120	-	1,2	0,88	1,27	-	1	1	-	-	-	■	-	-
U 3A-90/4	U 3A-90/4 T	0,9	0,66	0,9	0,88	1	1	-	-	-	■	■	■
U 3A-100/5	U 3A-100/5 T	1	0,75	1,06	1,01	1	1	-	-	-	■	■	■
U 5A-120/4	U 5A-120/4 T	1,2	0,9	1,13	1,13	1	1	-	-	-	■	■	■
U 5A-150/5	U 5A-150/5 T	1,5	1,1	1,47	1,39	1	1	-	-	-	■	■	■
U 3SA-90/4	U 3SA-90/4 T	0,9	0,66	0,83	0,8	1	1	-	-	-	■	■	■
U 3SA-100/5	U 3SA-100/5 T	1	0,75	0,99	0,92	1	1	-	-	-	■	■	■
U 5SA-120/4	U 5SA-120/4 T	1,2	0,9	1,09	1,08	1	1	-	-	-	■	■	■
U 5SA-150/5	U 5SA-150/5 T	1,5	1,1	1,39	1,31	1	1	-	-	-	■	■	■



# SUPERDOMUS+VSD

Booster set



## Variable speed booster pump set with membrane tank

### DESCRIPTION

SUPERDOMUS+VSD are compact and automatic booster sets consisting of one single-phase variable speed drive EPIC and one three-phase horizontal pump with a membrane tank. They provide constant pressure regardless changes on flow demand, making them suitable for low or missing pressure in domestic systems and small industrial applications.

### FEATURES

- EPIC variable speed drive provided on board, with single-phase power supply
- Three-phase horizontal pump
- 5-way AISI304 connector with built-in non return valve
- Pressure sensor wired to EPIC
- Pressure gauge
- 8 liters membrane surge tank
- Cable with plug

### FUNCTIONING

If the pressure in the network drops the pump will starts and gradually speeds up to provide with the set pressure. When the water demand decreases, the pressure will rise causing the pump speed to slow down and eventually to stop the pump if demand ceases. The pump will remain on standby waiting to start at the next water demand.

### SELECTION

The table below shows the pump series available as SUPERDOMUS+VSD. Consult the catalog at the relative series for pump specifics and characteristic curves.

VSD Variable Speed Drive	TYPE	up to	
		P2	
		HP	kW
EPIC	CAM	2	1,5
	CAB	2	1,5
	INOX	1,5	1,1
	MPX	1,2	0,88
	CM	1,5	1,1
	CB	1,5	1,1
	CH	1,5	1,1
	MB	2	1,5
	ULTRA 3 / 3S	1,5	1,1
	ULTRA 5 / 5S	2	1,5
	ULTRA 7 / 7S	2,5	1,85
	ULTRA 9 / 9S	2,5	1,85
ULTRA 18 / 18S	2,5	1,85	



# BOOSTER SET ULTRA

Booster set



## Fixed speed booster set with two or three pumps

### DESCRIPTION

Fully automatic booster sets for water supply equipped with two (2U) or three (3U) fixed speed pumps, control panel, pressure switches, all fixed on a single frame for easy installation. These booster sets are suitable for water network supply in housing complexes, offices, hotels, shopping centers, industrial plants and for irrigation. It is recommended the installation of a membrane tank.

### FEATURES

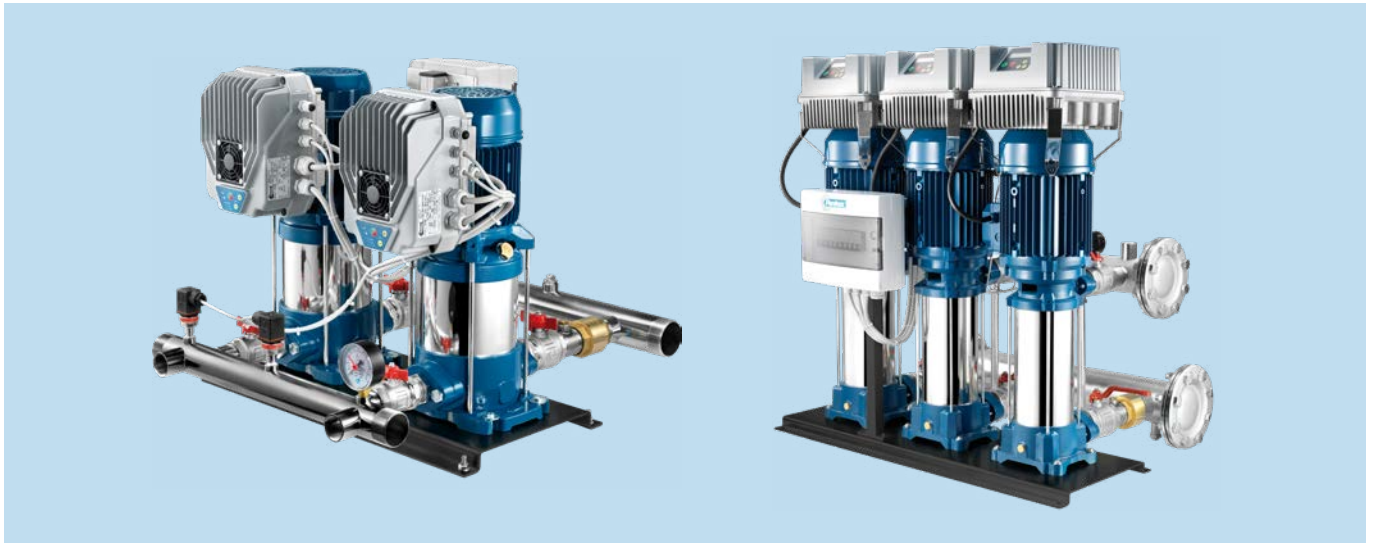
- Horizontal or vertical pumps of Ultra series
- Suction galvanized steel manifold with non-return and isolation valves
- Delivery galvanized steel manifold with pressure gauge, isolation valves and pressure switches
- Base frame in painted steel
- Electronic or electromechanical panels for pump's control and protection
- Pressure tanks available on request, as accessory

### FUNCTIONING

As soon as pressure drops below the minimum pressure set on a pressure switch, the first pump starts automatically. If water demand further increases, the second pump (and third if present) will run until the pressure rises above the maximum pressure set on the pressure switches. When demand ends, the last pump fills up the membrane tank and then turns off. All the pumps follow cycling changeover for equal work distribution. In case of one pump failure, the other pumps would continue to operate.

# BOOSTER SET ULTRA+VSD

Booster set



## Variable speed booster set with two or three pumps

### DESCRIPTION

The booster sets ULTRA + VSD are fully automatic systems equipped with two (2U+VSD) or three (3U+VSD) speed-controlled pumps. The booster sets ULTRA + VSD deliver the highest comfort level on domestic, agricultural and industrial applications ensuring constant pressure, low energy consumption and protection against overload and dry running. Required the installation of a membrane tank.

### FEATURES

- Horizontal or vertical pumps
- Inlet and outlet galvanized steel manifolds (inox as option)
- Base frame in painted steel
- Non-return valves on suction side, one per pump
- Isolating valves, two per pump
- Pressure gauge
- Variable speed drive, one per pump
- Outlet-pressure sensors, one per pump
- Breaker box
- On request membrane tanks (not connected)

### FUNCTIONING

When the system pressure drops below the desired level, the sensors detect it giving an input to the VSD to start the first pump at controlled speed. If the flow rate were not sufficient, the pressure continue to drop causing the second and the third pump to start. As soon as the flow demand decreases, the pressure rises again and the second and third pumps stop. The first pump continues to modulate its speed in order to regulate and maintain the set pressure until it turns off when the flow demand ends.

Based on working hours, VSDs will alternate the starting order of pumps to ensure better wear distribution. Continuity of operation is ensured in the event of one pump or one VSD failure.

### DRIVES

- EPIC drive with single-phase input voltage, suitable for pumps up to 2kW
- IPFC\*\* drive with single-phase input voltage up to 3 kW
- IPFC\*\* drive with three-phase input voltage up to 15 kW

\*\* control and monitor the pump via Pentax IPFC App for mobile

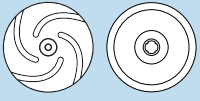




# DRAINAGE AND SEWAGE

# DRAINAGE AND SEWAGE PUMPS

## Plastic



DP DPV DPM



## High Head



DH



DC



## Single-channel



DB



DM



DM4



## Grinder



DTR



DTR 101

## Vortex



DG



DX



DV



DV4



Different models available in relation to performance requirements: centrifugal, Vortex, single or double channels pumps suitable for clean water, sewage and slurry. Impeller with grinding system available.

### Applications:

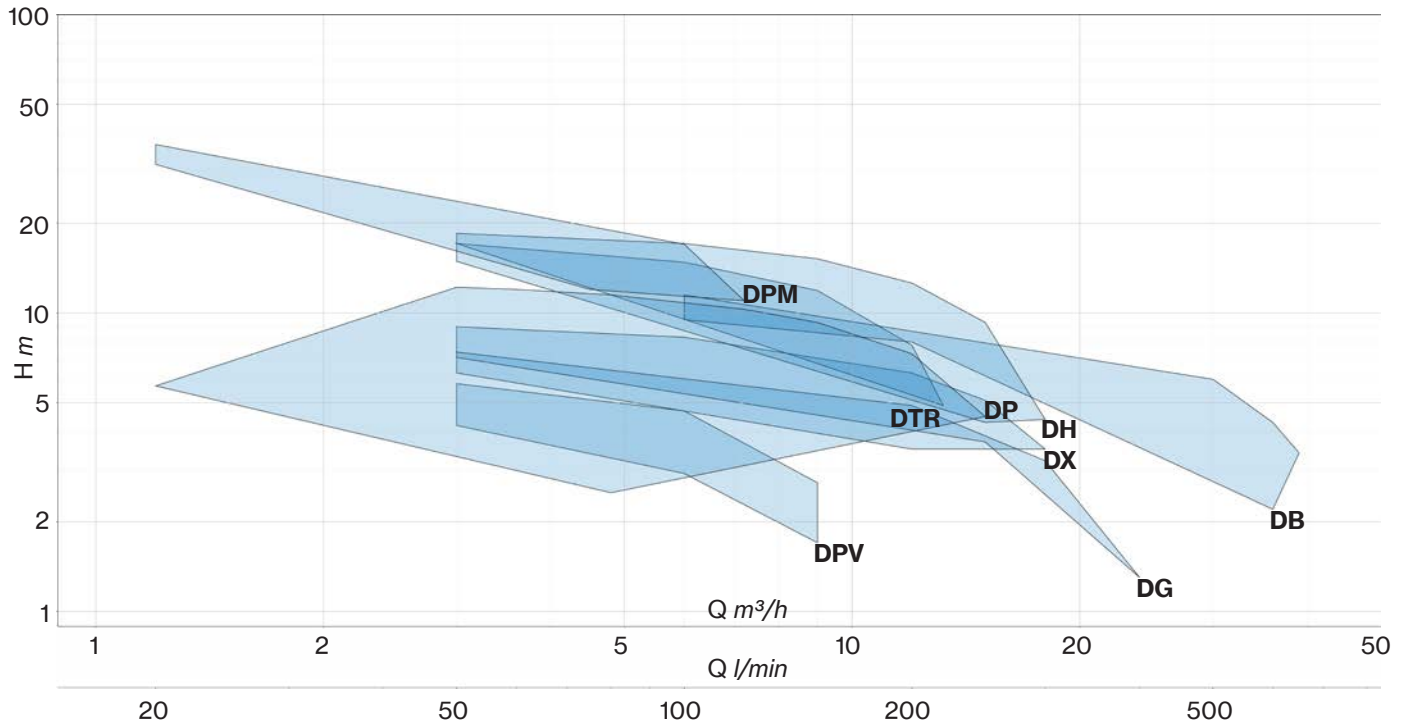
- Emptying of cisterns
- Fountains
- Swimming pools
- Draining of liquids from collection tanks and sumps



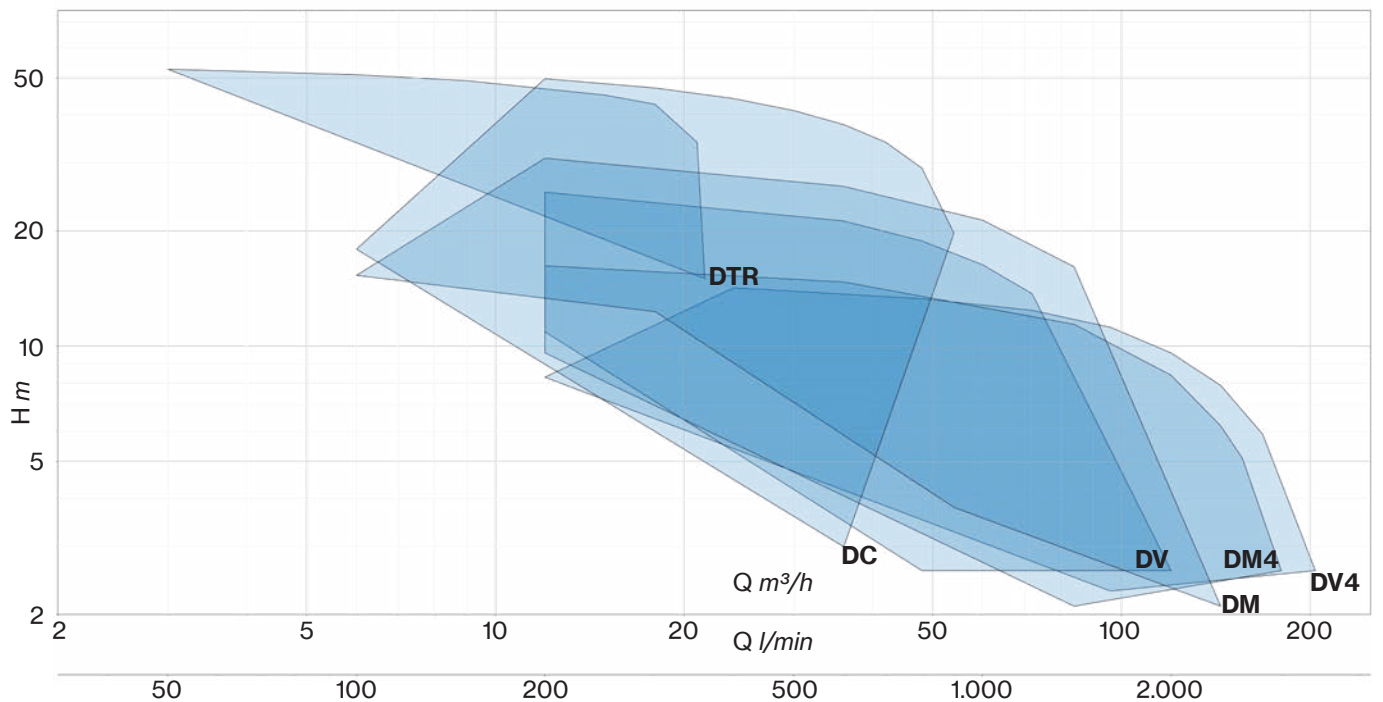


# DRAINAGE AND SEWAGE PUMPS

## Drainage

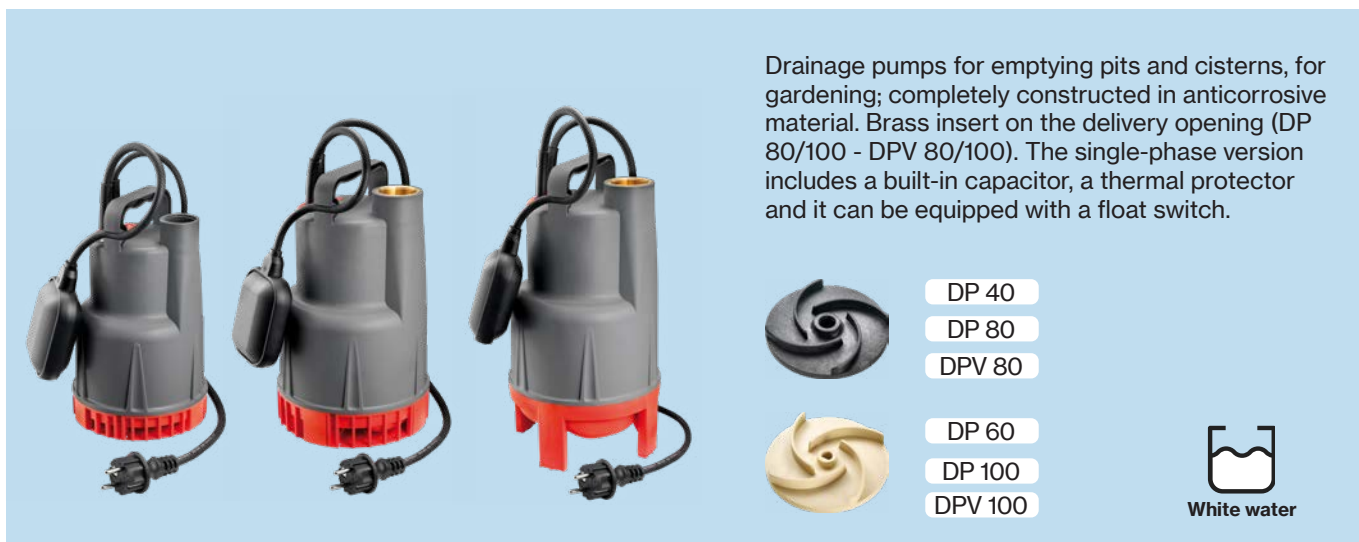


## Sewage



# DP/DPV

Drainage  
Plastic



Drainage pumps for emptying pits and cisterns, for gardening; completely constructed in anticorrosive material. Brass insert on the delivery opening (DP 80/100 - DPV 80/100). The single-phase version includes a built-in capacitor, a thermal protector and it can be equipped with a float switch.



DP 40

DP 80

DPV 80



DP 60

DP 100

DPV 100



White water

## Construction features

**Pump body** polypropylene



**Impeller** Noryl®

**Mechanical seal** double lip seal on ceramic bush

**Motor shaft** stainless steel AISI 416 with ceramic bush

**Free passage**  
 $\varnothing$  max 4 mm (DP 40/60)  
 $\varnothing$  max 7 mm (DP 80/100)  
 $\varnothing$  max 15 mm (DPV 80/100)

**Max submergence** 5 m

**Liquid temperature** 0 - 40 °C

**Cable**  
 H05 RN8F, 10 m (DP 40/60)  
 H07 RN8F, 10 m (DP 80/100,  
 DPV 80/100)

**G** float switch

## Motor

3- 400V - 50Hz  
(DPV 80/100)

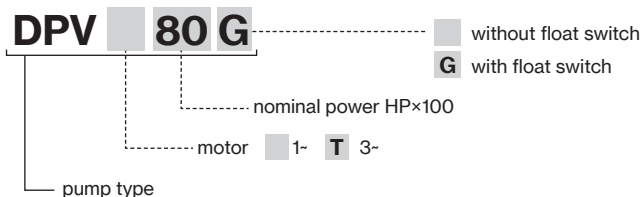
**2 Poles induction motor**

1- 230V - 50Hz  
(with thermal protection)

**Insulation class** F

**Protection degree** IPX8

TYPE	LOTS			
	TRUCK		CONTAINER	
	PALLET (cm)	N° pumps	PALLET (cm)	N° pumps
DP 40-60	80×120×175	135	80×120×205	162
DP 80-100	80×120×145	57	80×120×190	76
DPV 80-100	80×120×145	57	80×120×190	76



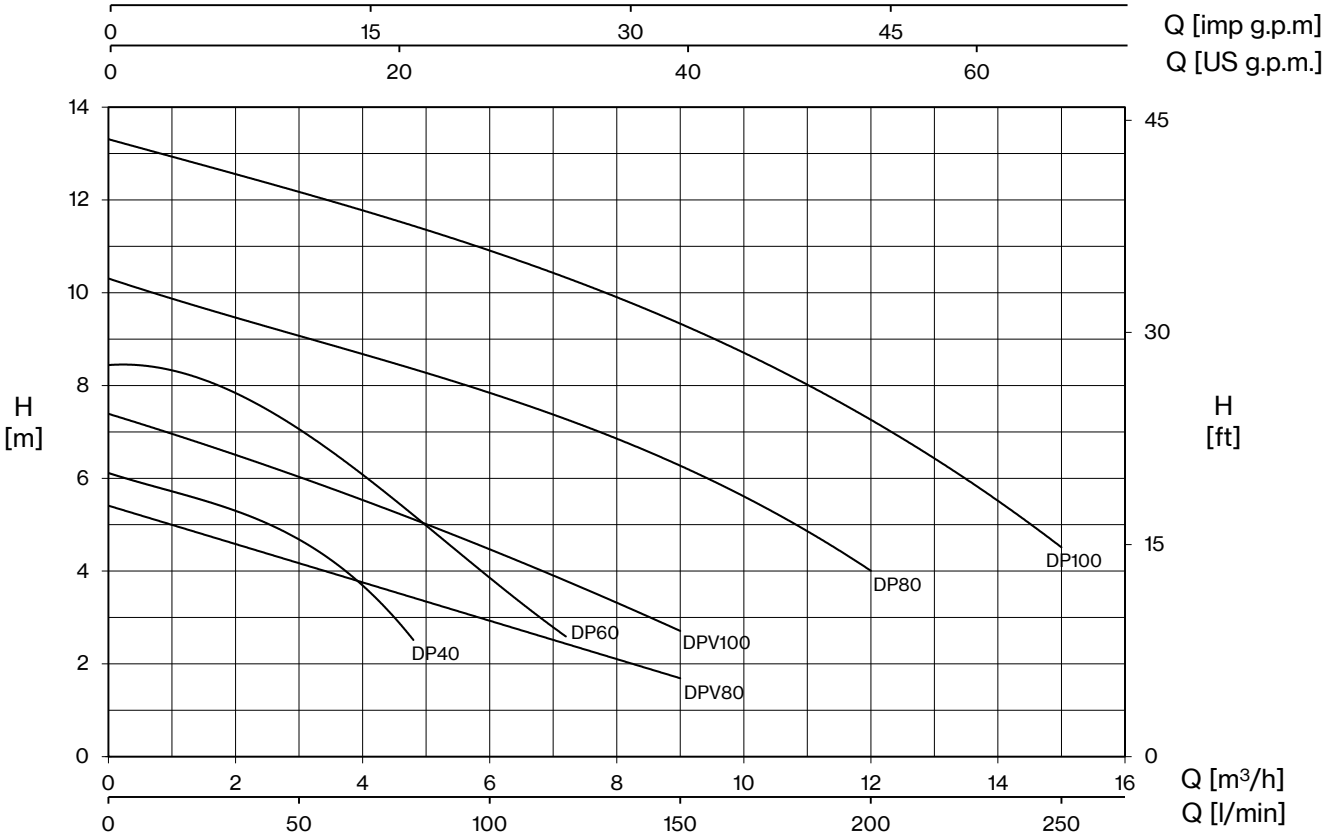
DP



DPV



**DP/DPV**

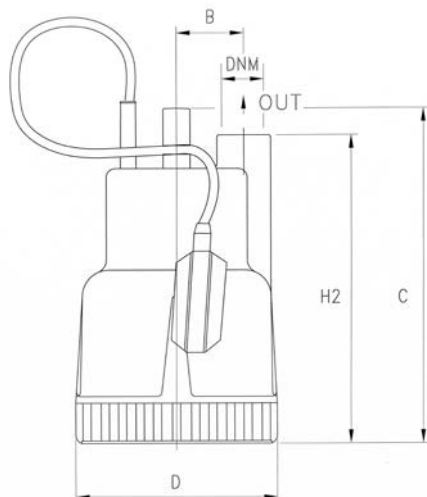


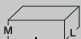

TYPE		W	AMPERE		Q (m³/h - l/min)										
1~	3~		1~	3~	0	1,2	2,4	3	3,6	4,8	6	7,2	9	12	15
					0	20	40	50	60	80	100	120	150	200	250
			1x230 V 50 Hz	3x400 V 50 Hz	H (m)										
DP 40 (G)	-	200	1,0	-	6,1	5,7	5,0	4,7	4,2	2,5					
DP 60 (G)	-	400	2,1	-	8,5	8,1	7,6	7,2	6,7	5,0	3,9	2,6			
DP 80 (G)	DPT 80	800	3,7	1,8	10,3			9,1	8,8	8,3	7,8	7,3	6,3	4,0	
DP 100 (G)	DPT 100	1050	5,1	2,3	13,3			12,2	12,0	11,5	10,9	10,3	9,3	7,3	4,5

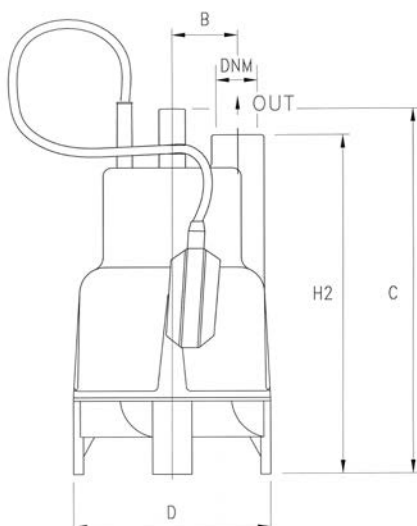
TYPE		W	AMPERE		Q (m³/h - l/min)			
1~	3~		1~	3~	0	3	6	9
					0	50	100	150
			1x230 V 50 Hz	3x400 V 50 Hz	H (m)			
DPV 80 (G)	DPVT 80	500	2,6	1,2	5,4	4,2	2,9	1,7
DPV 100 (G)	DPVT 100	750	3,8	1,7	7,4	5,8	4,7	2,7

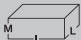



# DP/DPV



TYPE	DIMENSIONS (mm)								
	B	C	D	H2	DNM	I	L	M	
DP 40 (G)	50	250	150	230	1" G	170	200	320	5
DP 60 (G)	50	250	150	230		170	200	320	6,5
DP 80 (G)	55,5	296	176	276	1" ¼ G	185	230	310	8,5
DP 100 (G)	55,5	296	176	276		185	230	310	10



TYPE	DIMENSIONS (mm)								
	B	C	D	H2	DNM	I	L	M	
DPV 80 (G)	55,5	331	176	310	1" ¼ G	185	230	345	8,5
DPV 100 (G)	55,5	331	176	310		185	230	345	10





Multistage drainage pumps for clean water made of technopolymer material used for pumping liquid from wells, tanks and reservoirs, pressurization of domestic systems, irrigation of gardens and vegetable gardens. The single-phase version includes a built-in capacitor, a thermal protector and it can be equipped with a float switch. Suitable to be installed with the Hidrotank flow controller.



White water

### Construction features

**Pump body** technopolymer



**Impeller, diffusers** Noryl®

**Shell, motor cover, base support** Noryl®

**Mechanical seal** double seal with oil barrier: silicon carbide on pump side, sealing ring on motor side

**Motor shaft** stainless steel AISI 303

**Max submergence** 5 m

**Liquid temperature** 0 - 35 °C

**Cable** H07 RN8F, 10 m

**G** float switch

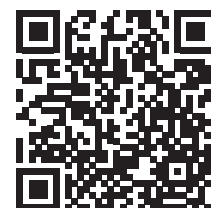
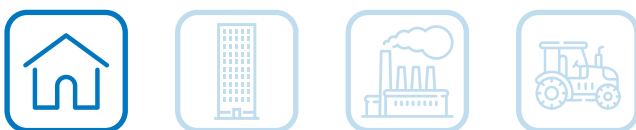
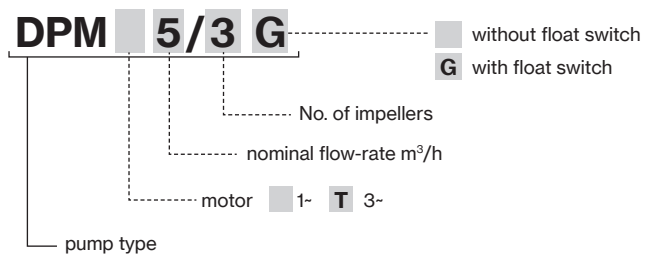
### Motor

3~ 400V - 50Hz

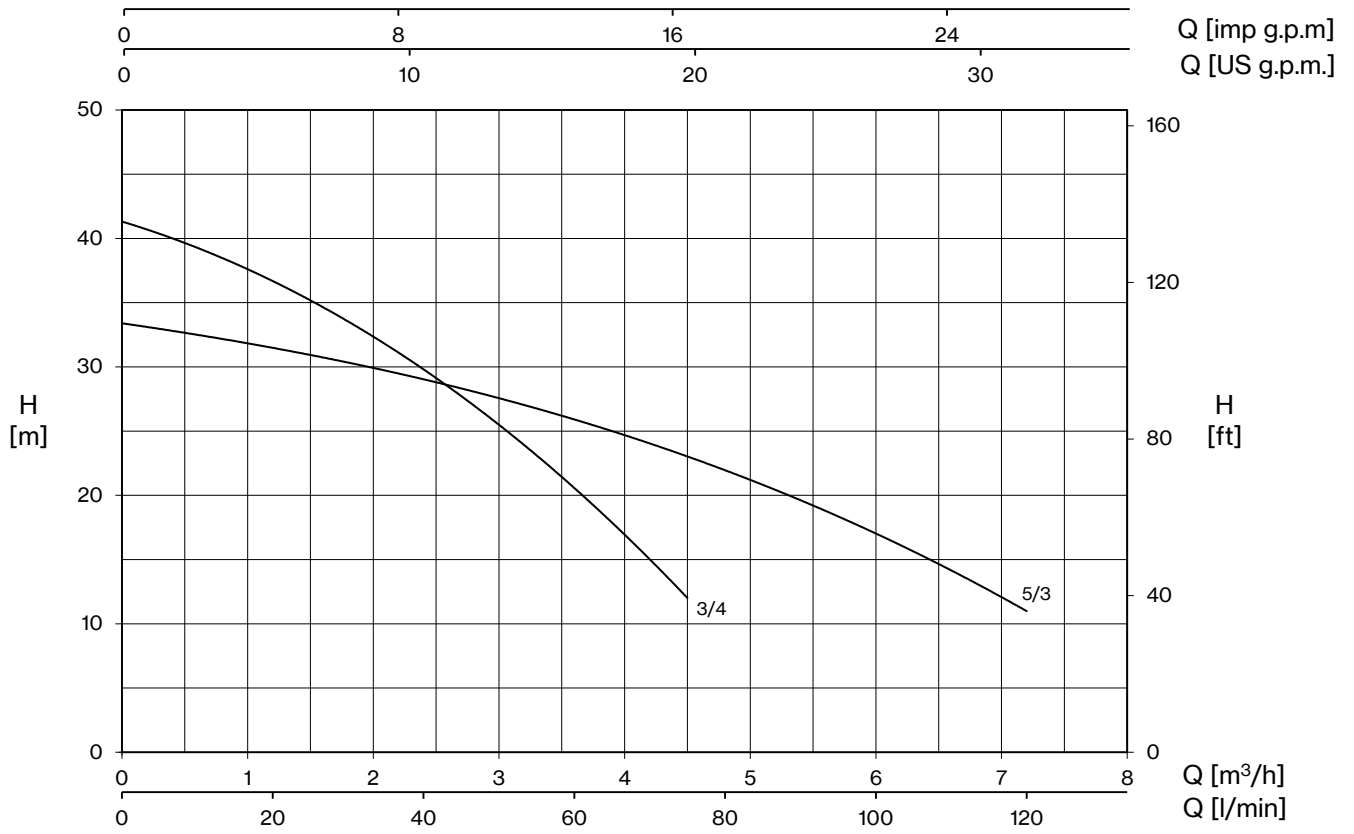
**2 Poles induction motor** 1~ 230V - 50Hz  
(with thermal protection)

**Insulation class** F

**Protection degree** IPX8

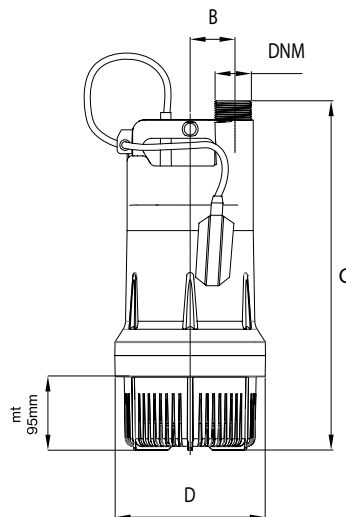


# DPM



TYPE		W	AMPERE		Q (m³/h - l/min)									
1~	3~		1~	3~	0	0,6	1,2	1,8	2,4	3,6	4,5	6	7,2	
					0	10	20	30	40	60	75	100	120	
			1x230 V 50 Hz	3x400 V 50 Hz	H (m)									
DPM 5/3 G	DPMT 5/3	900	3,9	1,7	33,4	32,5	31,5	30,3	29,0	26,0	23,0	17,0	11,0	
DPM 3/4 G	DPMT 3/4	800	3,4	1,6	41,3	39,3	36,7	33,5	29,8	20,6	12,0			

mt: minimum working level



TYPE	DIMENSIONS (mm)							Kg
	B	C	D	DNM	I	L	M	
DPM 5/3	56	454	196	1" 1/2	264	203	482	10
DPM 3/4	56	454	196	1" 1/2	264	203	482	10,5





Drainage pumps with open impeller for pumping liquids with suspended solids. Characterized by high head. The single-phase version includes a built-in capacitor, a thermal protector and it can be equipped with a float switch.



## Construction features

**Pump body** cast iron

**Shell, motor cover, base support** stainless steel



**Impeller** brass

**Mechanical seal** double seal with oil barrier: silicon carbide on pump side, sealing ring on motor side

**Motor shaft** stainless steel AISI 430

**Free passage** Ø max 10 mm

**Max submergence** 5 m

**Liquid temperature** 0 - 40 °C

**Cable** H07 RN8F, 10 m

**G** float switch

## Motor

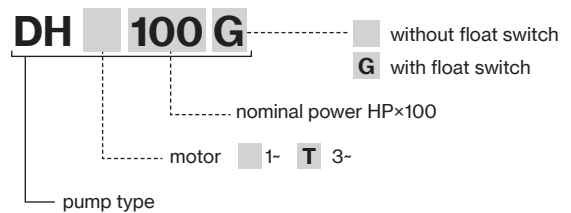
3~ 400V - 50Hz

**2 Poles induction motor** 1~ 230V - 50Hz  
(with thermal protection)

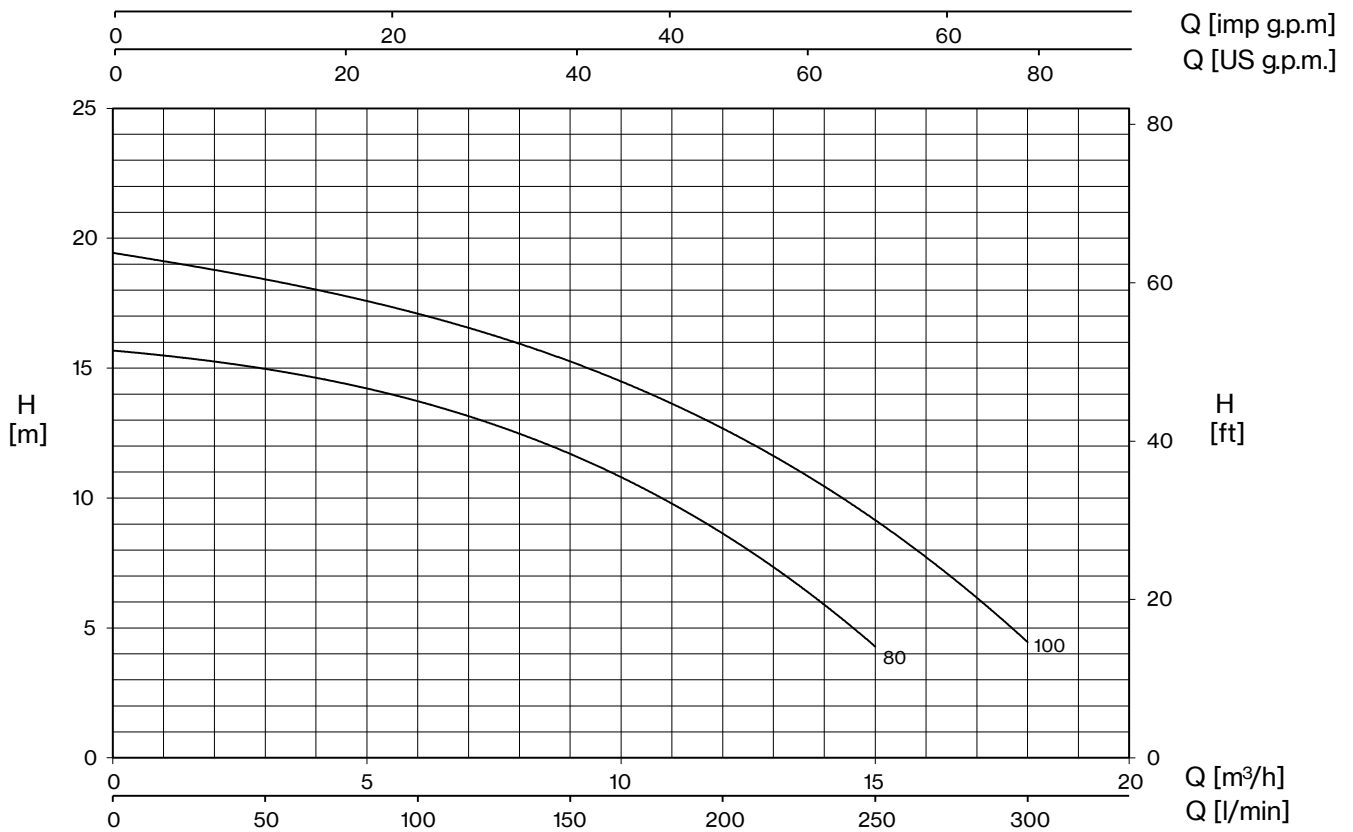
**Insulation class** F

**Protection degree** IPX8

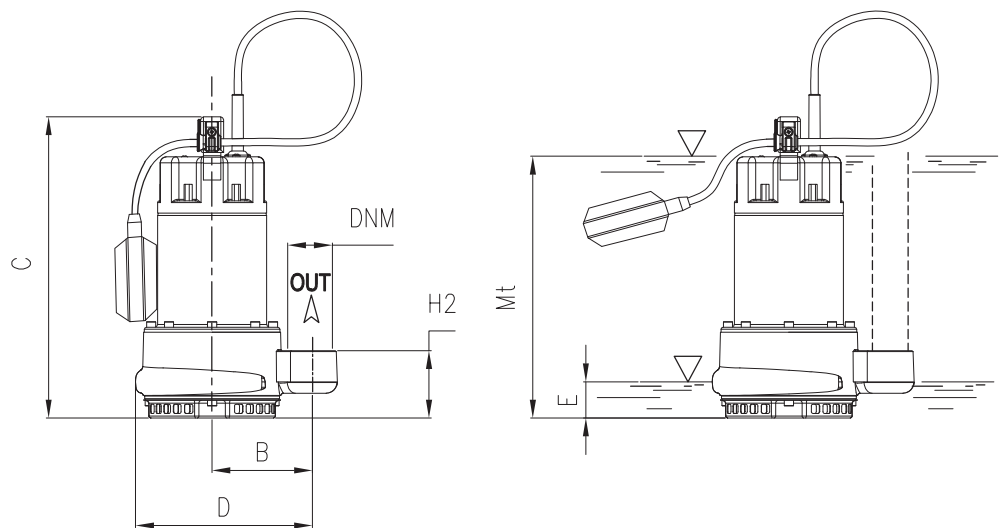
TYPE	LOTS			
	TRUCK		CONTAINER	
	PALLET (cm)	N° pumps	PALLET (cm)	N° pumps
DH	80×120×125	57	80×120×165	76



# DH



TYPE		W	AMPERE		Q (m³/h - l/min)						
1~	3~		1~	3~	0	3	6	9	12	15	18
			1x230 V 50 Hz	3x400 V 50 Hz	0	50	100	150	200	250	300
H (m)											
DH 80 (G)	DHT 80	980	4,3	2,1	15,7	14,9	13,8	11,7	8,6	4,3	
DH 100 (G)	DHT 100	1370	6,2	2,8	19,4	18,5	17,1	15,2	12,6	9,3	4,4



TYPE	DIMENSIONS (mm)										Kg
	B	C	D	E	H2	Mt	DNM	I	L	M	
DH 80 (G)	105	330	218,5	45	70	190	1" 1/2 G	180	255	380	14,5
DH 100 (G)	105	330	218,5	45	70	190	1" 1/2 G	180	255	380	16





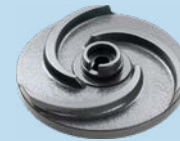
DC 160-310

DCT 410-1000

DCT 410-1000/P



Centrifugal drainage high head pumps ideal for civil and industrial applications, specifically designed for very heavy use. Available in the mobile or permanent versions with coupling feet.



Grey water

## Construction features

**Pump body** cast iron



**Impeller** cast iron

### Mechanical seal

double seal with oil barrier: silicon carbide on pump side, ceramic-graphite on motor side

**Motor shaft** stainless steel AISI 304

**Free passage** Ø max 10 mm

**Max submergence** 20 m

**Liquid temperature** 0 - 40 °C

**Cable** H07 RN8F, 10 m

**Bolts** A2 stainless steel

**Foot support** galvanized iron

**Gaskets** NBR rubber

## Motor

3~ 230V - 50Hz  
3~ 400V - 50Hz  
3~ 230/400V - 50Hz  
3~ 400/690V - 50Hz

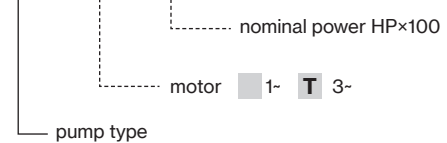
### 2 Poles induction motor

1~ 230V - 50Hz  
required run capacitor  
(35µF for 1,5HP model,  
50µF for 2HP model)

**Insulation class** F

**Protection degree** IPX8

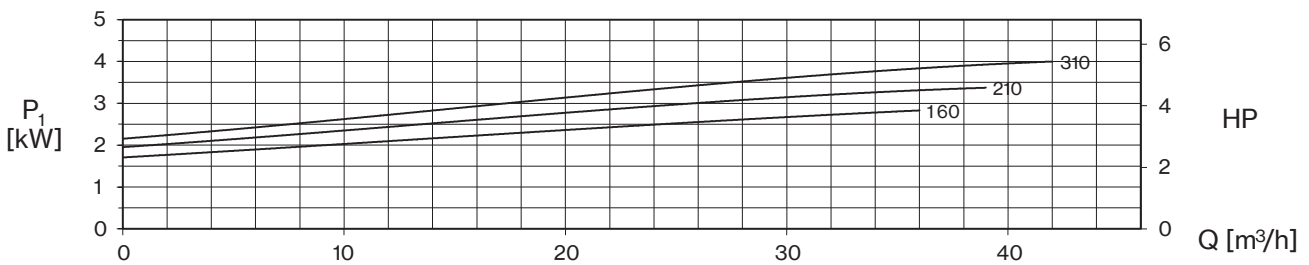
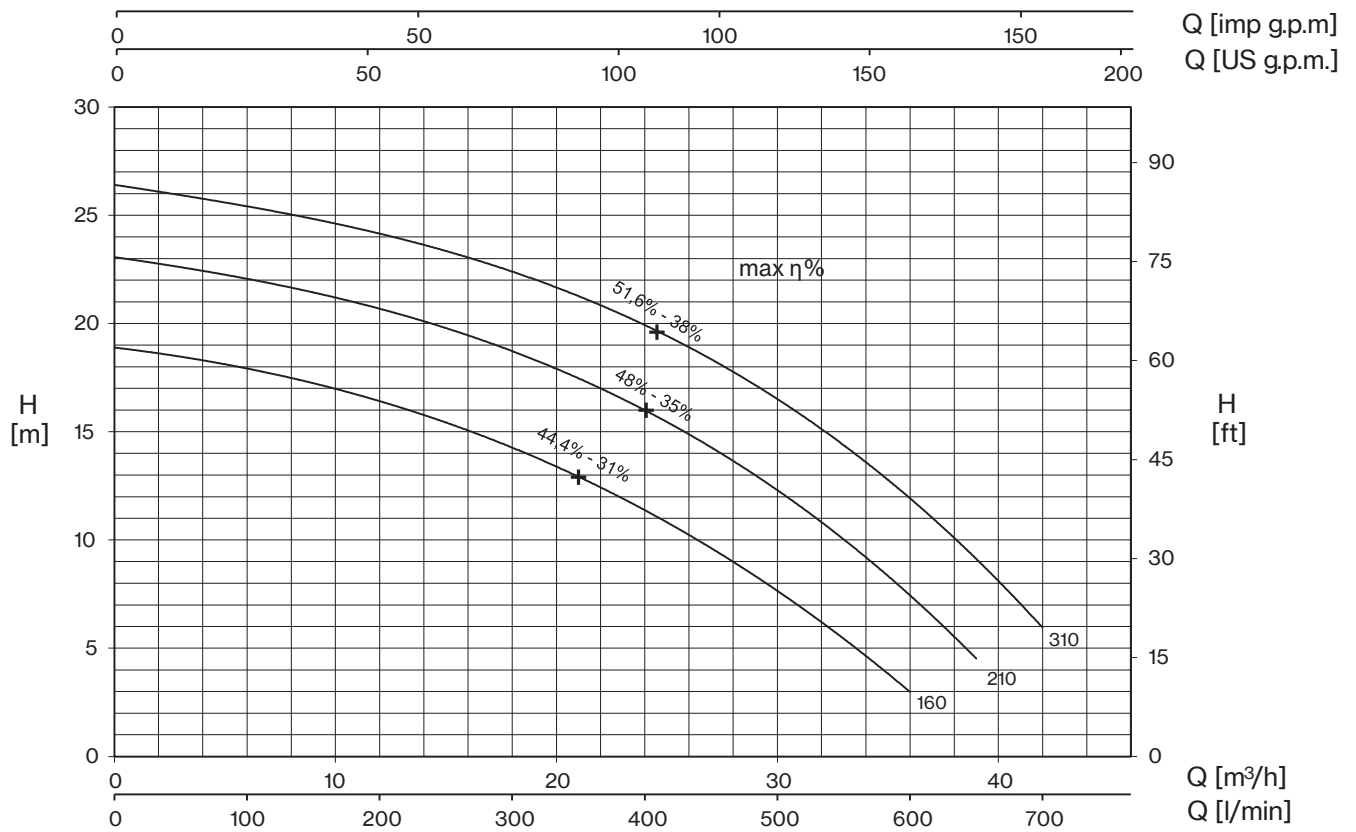
## DC T 560



TYPE	LOTS			
	TRUCK		CONTAINER	
	PALLET (cm)	N° pumps	PALLET (cm)	N° pumps
DC 160÷310	85×110×145	18	85×110×190	27
DCT 410-560	85×110×170	12	85×110×170	12
DCT 750-1000	100×120×190	12	100×120×190	12



# DC



TYPE		AMPERE				
1~	3~	230 V 50 Hz	3x230 V 50 Hz (*)	3x400 V 50 Hz	230/400 V 50 Hz $\lambda/\Delta$ (*)	400/690 V 50 Hz $\lambda/\Delta$
DC 160	DCT 160	13,8	8,3	4,8	-	-
DC 210	DCT 210	16,5	10,2	5,9	-	-
-	DCT 310	-	12	6,9	-	-

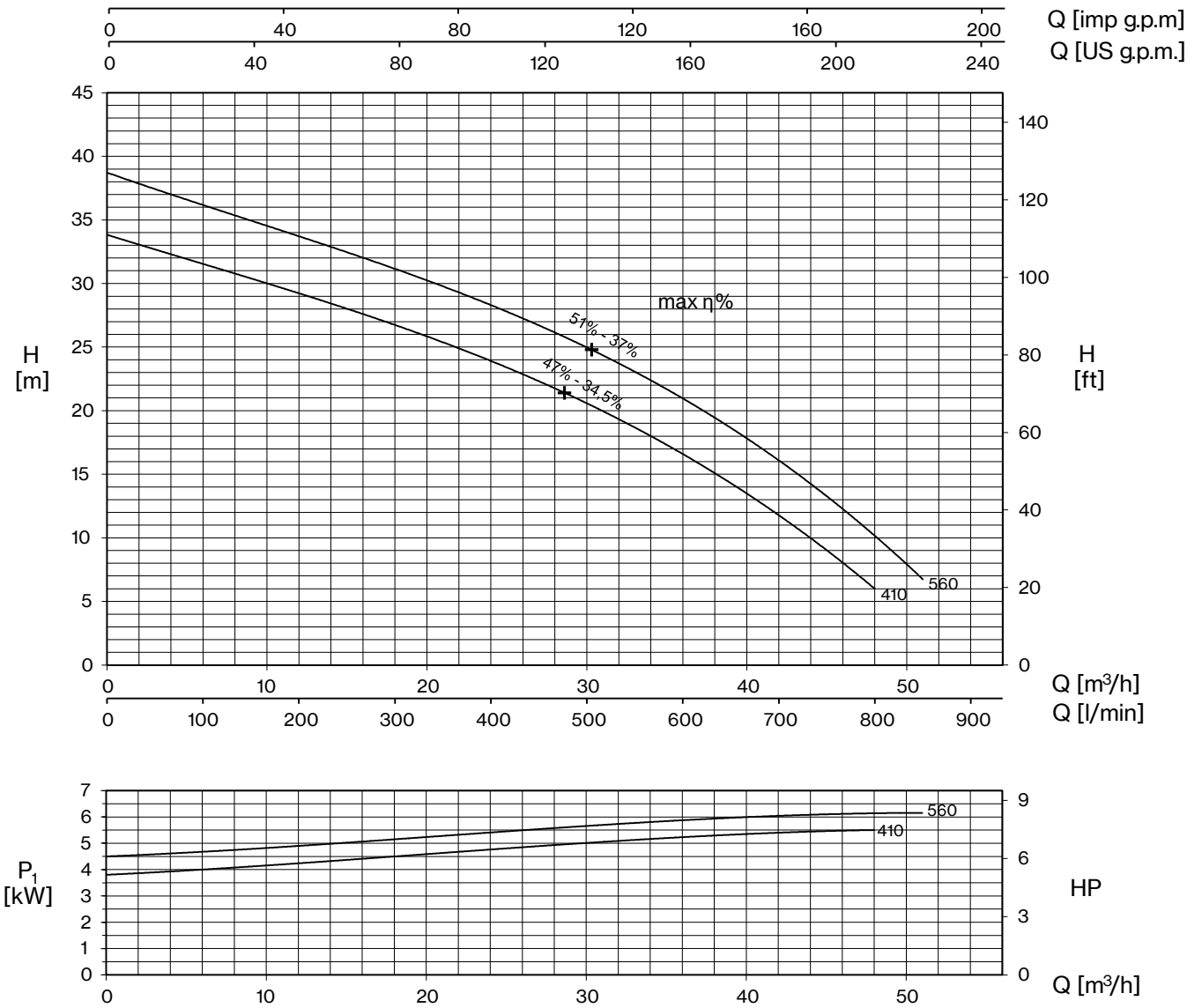
+ max  $\eta\%$

max hydraulic efficiency and respective total efficiency

(\*) no standard execution

TYPE		P2		P1 (kW)		Q (m³/h - l/min)								
1~	3~	HP	kW	1~	3~	0	6	12	18	24	30	36	39	42
						0	100	200	300	400	500	600	650	700
						H (m)								
DC 160	DCT 160	1,5	1,1	3,0	2,8	18,9	17,9	16,4	14,3	11,4	7,6	3,0		
DC 210	DCT 210	2	1,5	3,7	3,4	23,0	22,2	20,7	18,6	15,9	12,5	7,4	4,5	
-	DCT 310	3	2,2	-	4,0	26,4	25,4	24,2	22,4	19,9	16,4	12,1	9,1	5,9





TYPE	AMPERE			
	3x230 V 50 Hz (*)	3x400 V 50 Hz	230/400 V 50 Hz λ / Δ (*)	400/690 V 50 Hz λ / Δ
DCT 410	15,4	8,9	-	-
DCT 560	17,6	10,2	-	-

(\*) no standard execution

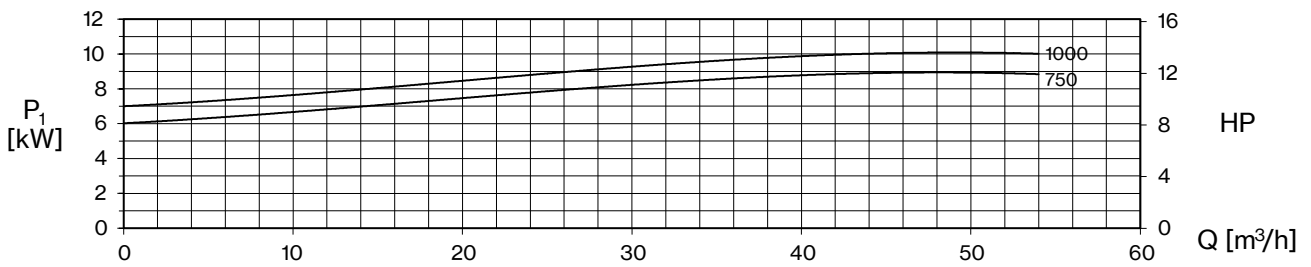
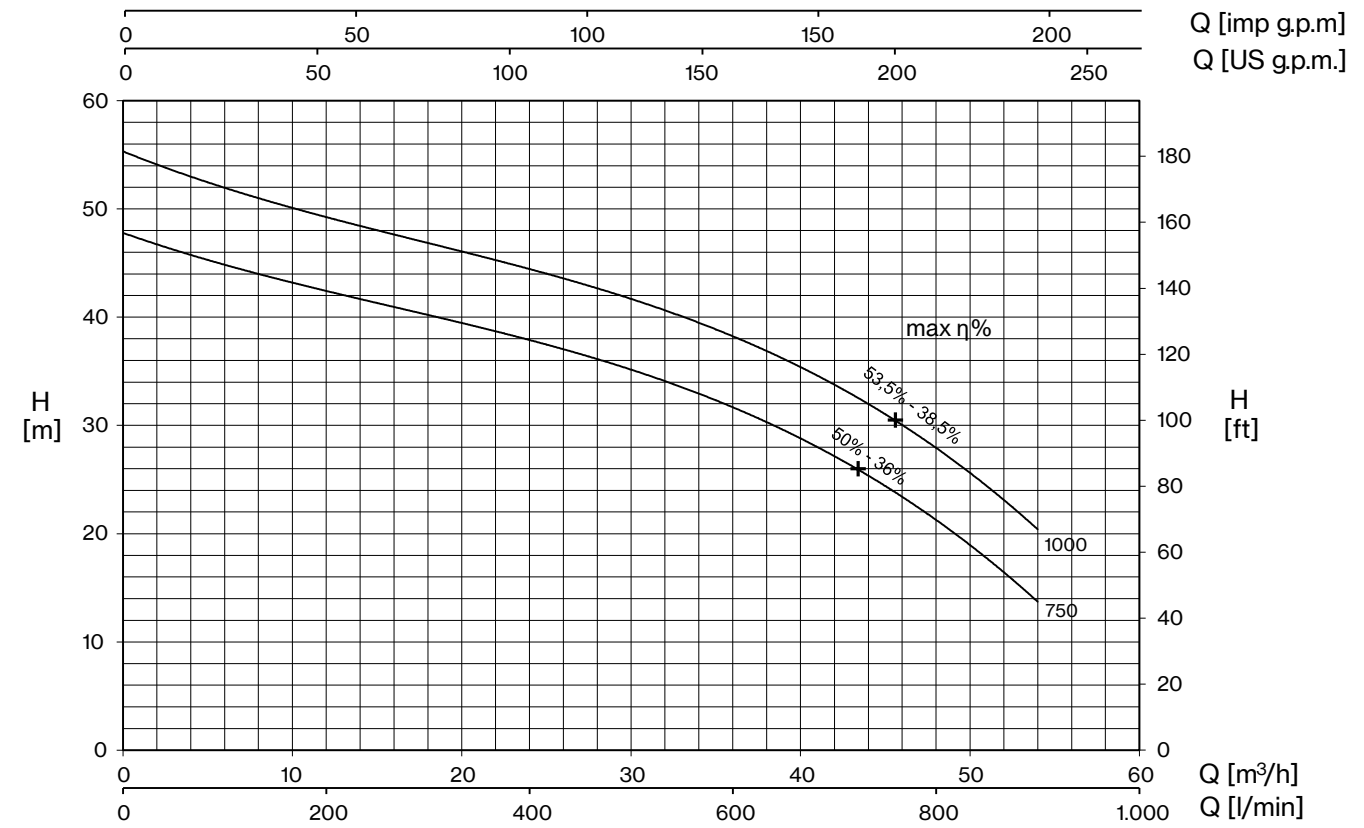
+ max η %

max hydraulic efficiency and respective total efficiency

TYPE	P2		P1 (kW)	Q (m³/h - l/min)										
				0	6	12	18	24	30	36	42	48	51	
	HP	kW	3~	0	100	200	300	400	500	600	700	800	850	
DCT 410	4	3	5,5	33,8	31,6	29,2	26,8	23,9	20,5	16,5	12,0	5,9		
DCT 560	5,5	4	6,3	38,7	36,1	33,9	31,2	28,3	24,7	20,9	16,3	10,4	6,5	



# DC



TYPE	AMPERE			
	3x230 V 50 Hz (*)	3x400 V 50 Hz	230/400 V 50 Hz $\lambda / \Delta$ (*)	400/690 V 50 Hz $\lambda / \Delta$
DCT 750	-	15,3	26,5	15,3
DCT 1000	-	17,5	30,3	17,5

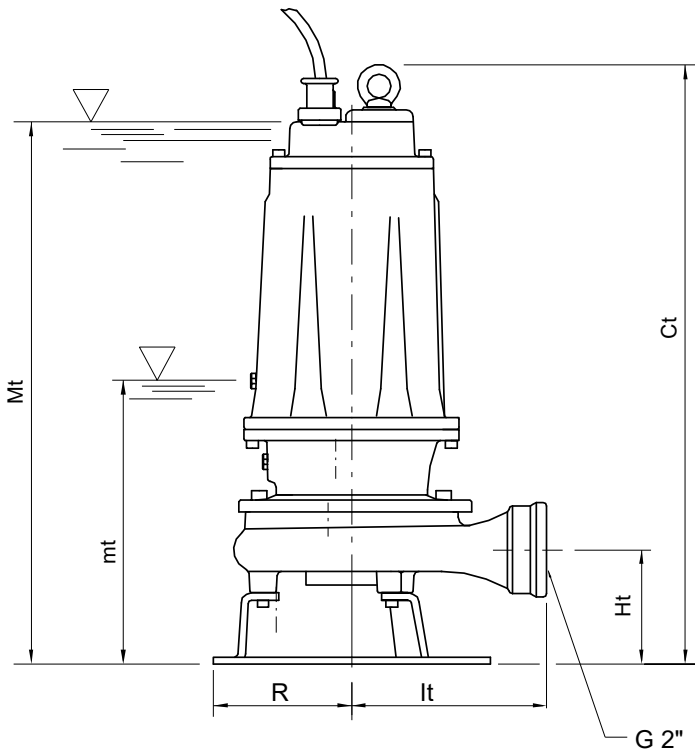
+ max  $\eta\%$

max hydraulic efficiency and respective total efficiency

(\*) no standard execution

TYPE	P2		P1 (kW)	Q (m³/h - l/min)									
				0	12	18	24	30	36	42	48	54	
	HP	kW	3~	0	200	300	400	500	600	700	800	900	
DCT 750	7,5	5,5	9,0	47,6	42,9	40,4	37,7	34,7	31,2	27,4	22,3	13,1	
DCT 1000	10	7,5	10,3	55,1	49,8	47,1	44,2	41,1	37,8	34,0	29,1	19,7	



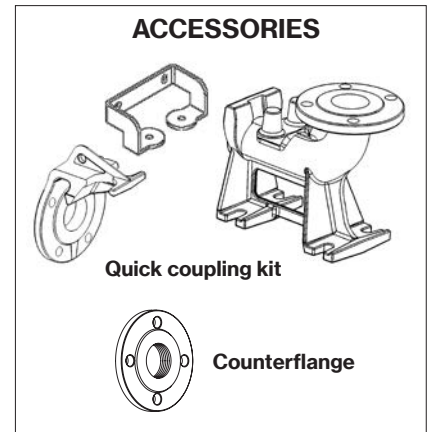
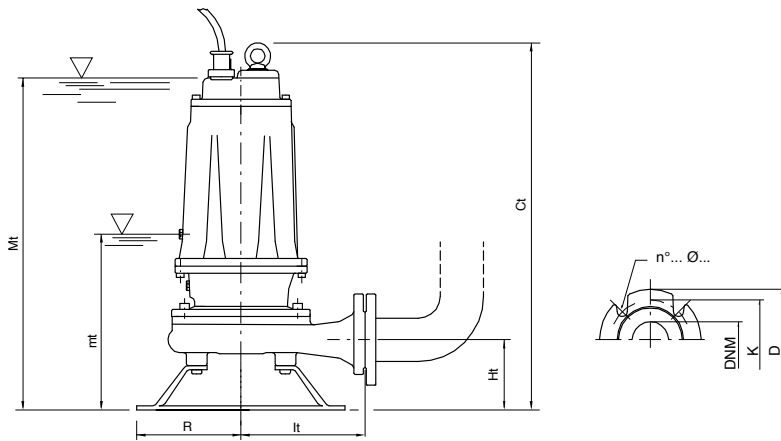


mt: minimum working level  
 Mt: minimum submergence level for continuous duty

TYPE	DIMENSIONS (mm)							Kg
	Ct	Ht	R	lt	mt	Mt	DNM	
DC 160 - DCT 160	513	102	117	174	205	475	2"G	37
DC 210 - DCT 210	513	102	117	174	205	475	2"G	37,5
DCT 310	513	102	117	174	205	475	2"G	37

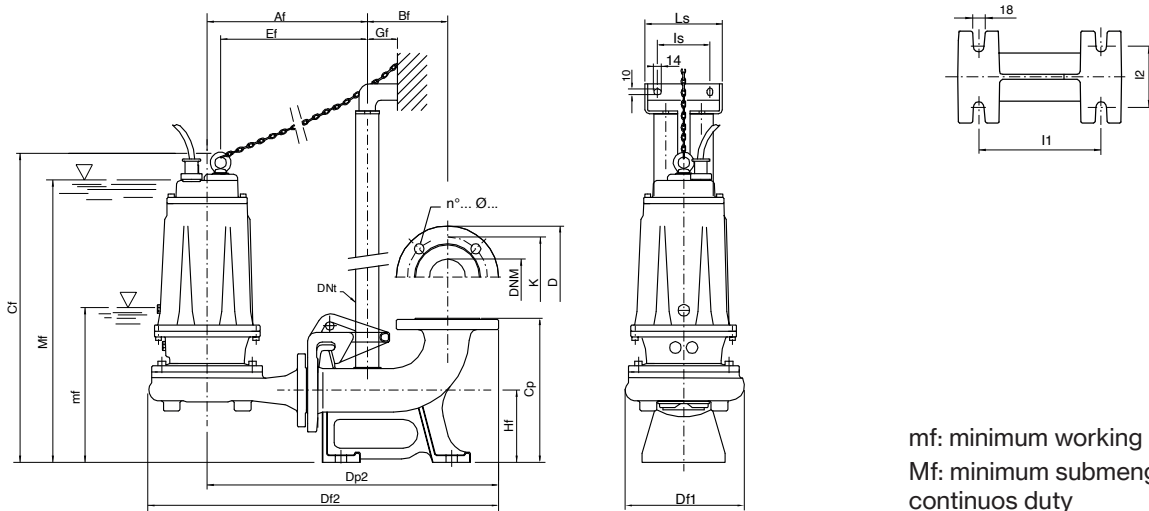
TYPE	PROTECTION		1 PUMP CONTROL PANEL			2 PUMPS CONTROL PANEL		
	1 x 230 V	3 x 400 V	1 x 230 V	3 x 400 V	400 / 690 V	1 x 230 V	3 x 400 V	400 / 690 V
DC 160	PMC 15/35-15	PT 20-30-40/4.3-6.8	EQSM + 35µF	EQSMT 10		EQ2SM + 2x35µF	EQ2SMT 10	
DC 210	PMC 20/50-18	PT 20-30-40/4.3-6.8	EQSM + 50µF	EQSMT 10		EQ2SM + 2x50µF	EQ2SMT 10	
DCT 310		PT 40-50/5.7-9.1		EQSMT 10			EQ2SMT 10	
DCT 410		PT 55-75/8.6-13.5		EQSMT 10			EQ2SMT 10	
DCT 560		PT 55-75/8.6-13.5		EQSMT 10			EQ2SMT 10	
DCT 750		PT 100/12.5-16.5		EQSMT 10	QST 7		EQ2SMT 10	Q2ST 7
DCT 1000		PT 125-150/16-21		EQSMT 10	QST 10		EQ2SMT 10	Q2ST 10

**DC**



mt: minimum working level  
Mt: minimum submersion level for continuous duty

TYPE	DIMENSIONS (mm)							Kg
	Ct	Ht	R	lt	mt	Mt	DNM	
DCT 410	595	112	160	187	263	550	50	60,5
DCT 560	595	112	160	187	263	550	50	63,5
DCT 750	680	160	180	250	280	630	65	91
DCT 1000	680	160	180	250	280	630	65	93,5



mf: minimum working level  
Mf: minimum submersion level for continuous duty

TYPE	DIMENSIONS (mm)																	
	Af	Bf	Cf	Cp	Df1	Df2	Dp2	DNt	Ef	Gf	Hf	I1	I2	Is	Ls	mf	Mf	DNM
DCT 410/P	300	145	614	260	237	654	535	1" 1/4	269	55	130	200	100	95	140	290	566	50
DCT 560/P	300	145	614	260	237	654	535	1" 1/4	269	55	130	200	100	95	140	290	566	50
DCT 750/P	331	145	656	260	279	701	569	1" 1/4	296	55	130	200	100	95	140	290	600	65
DCT 1000/P	331	145	656	260	279	701	569	1" 1/4	296	55	130	200	100	95	140	290	600	65

**Flange UNI PN 10 (mm)**

DNM	K	D	n°... Ø...
50	125	165	4... 18...
65	145	185	4... 18...





Drainage pumps with “Double-Channel” impeller for pumping waste waters and liquids with suspended solids; ideal for civil and household applications. The single-phase version includes a built-in capacitor, a thermal protector and it can be equipped with a float switch.



Grey water



Black water

## Construction features

**Pump body** cast iron

**Shell, motor cover, base support** stainless steel



**Impeller** stainless steel

**Mechanical seal** double seal with oil chamber: silicon carbide on pump side, ceramic-graphite on motor side

**Motor shaft** stainless steel AISI 430

**Free passage** Ø max 50 mm

**Max submergence** 5 m

**Liquid temperature** 0 - 40 °C

**Cable** H07 RN8F, 10 m

**G** float switch

## Motor

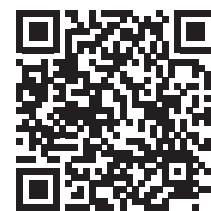
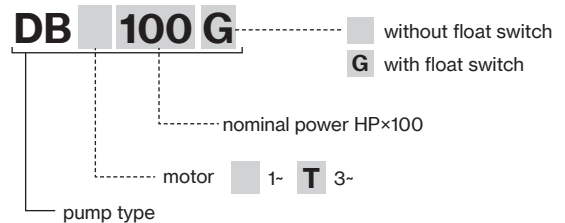
3~ 400V - 50Hz

**2 Poles induction motor** 1~ 230V - 50Hz  
(with thermal protection)

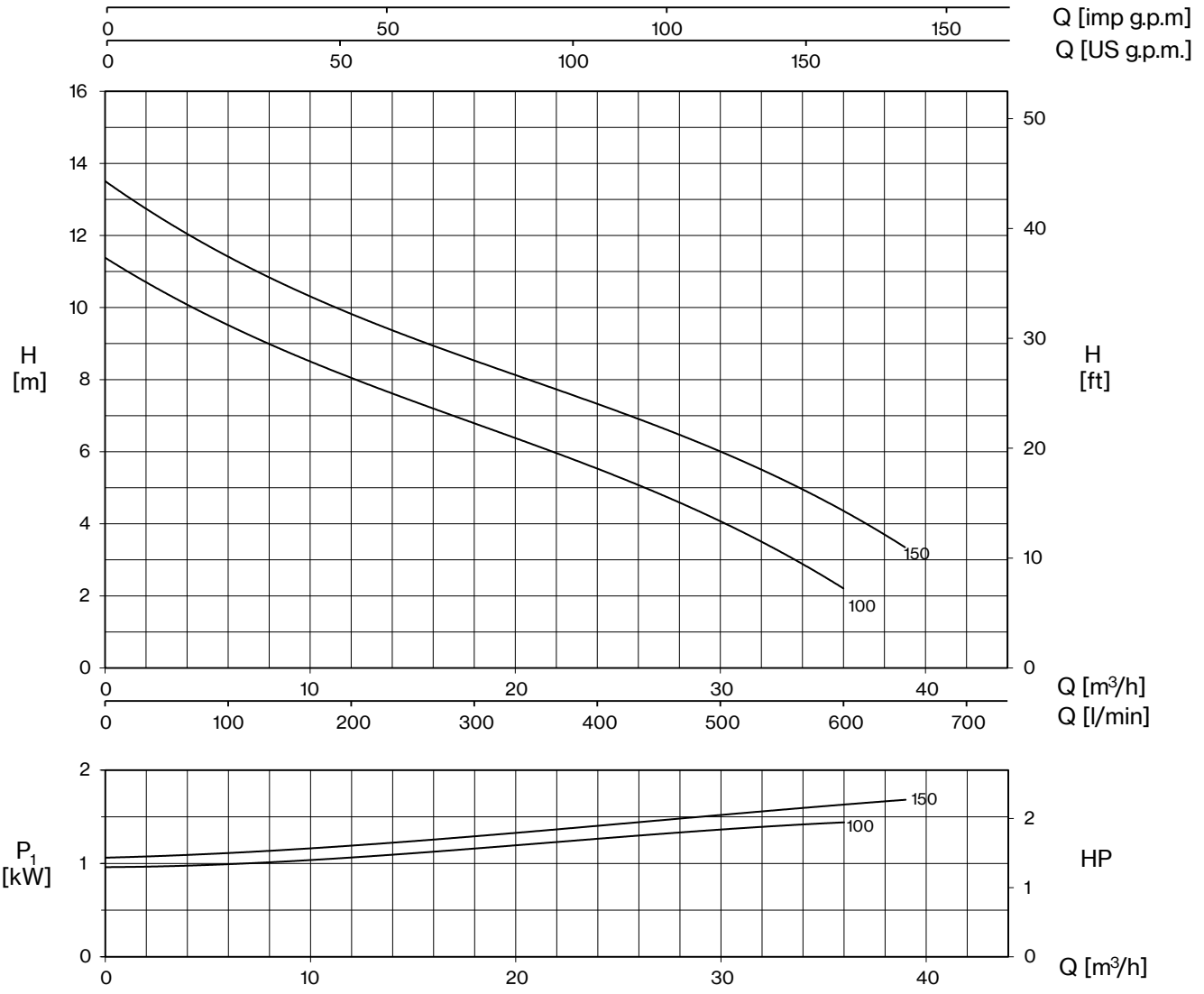
**Insulation class** F

**Protection degree** IPX8

TYPE	LOTS			
	TRUCK		CONTAINER	
	PALLET (cm)	N° pumps	PALLET (cm)	N° pumps
DB	80×120×160	51	80×120×160	51

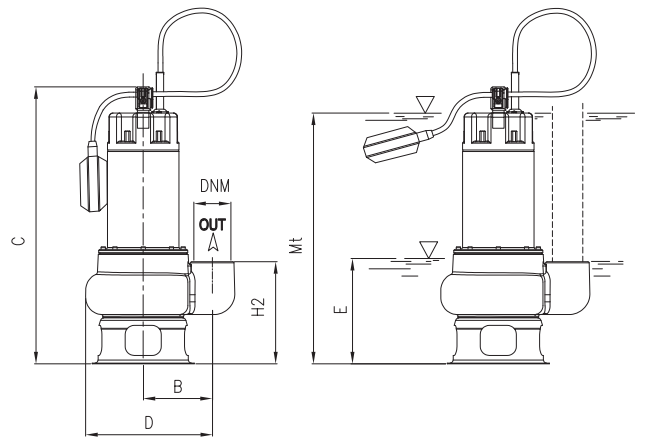


# DB



TYPE		W	AMPERE		Q (m³/h - l/min)									
1~	3~		1~	3~	0	6	12	18	24	30	36	39		
					0	100	200	300	400	500	600	650		
				1x230 V 50 Hz	3x400 V 50 Hz		H (m)							
DB 100 (G)	DBT 100	1350	5,9	2,8	11,4	9,5	8,0	6,8	5,6	4,0	2,2			
DB 150 (G)	DBT 150	1700	8,0	3,0	13,6	11,5	9,8	8,5	7,3	6,0	4,3	3,4		

E: maximum emptying level  
Mt: minimum liquid level for continuous duty



TYPE	DIMENSIONS (mm)										Kg
	B	C	D	E	H2	Mt	DNM	I	L	M	
DB 100 (G)	142,5	461	247,5	185	170	390	2" G	200	260	470	17
DB 150 (G)	142,5	461	247,5	185	170	390	2" G	200	260	470	18,5







Single channel centrifugal drainage pumps. Specifically designed for heavy duty applications they guarantee high capacity at medium head; ideal for civil and industrial applications. Available in mobile or permanent version with coupling feet.

## Construction features

**Pump body** cast iron



**Impeller** cast iron

**Mechanical seal** double seal with oil barrier: silicon carbide on pump side, ceramic-graphite on motor side

**Motor shaft** stainless steel AISI 304

**Free passage** Ø max 50 mm

**Max submergence** 20 m

**Liquid temperature** 0 - 40 °C

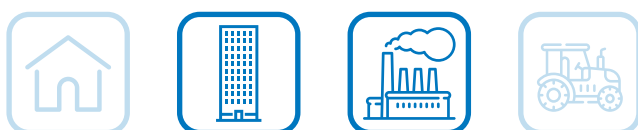
**Cable** H07 RN8F, 10 m

**Bolts** A2 stainless steel

**Foot support** galvanized iron

**Gaskets** NBR rubber

TYPE	LOTS			
	TRUCK		CONTAINER	
	PALLET (cm)	N° pumps	PALLET (cm)	N° pumps
DM 160÷310	85×110×145	18	85×110×190	27
DMT 410-560	85×110×170	12	85×110×170	12
DMT 1000	100×120×190	12	100×120×190	12



## Motor

3~ 230V - 50Hz  
3~ 400V - 50Hz  
3~ 230/400V - 50Hz  
3~ 400/690V - 50Hz

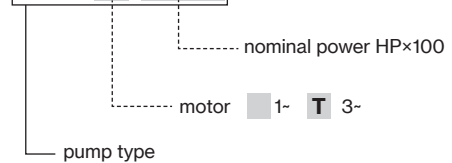
**2 Poles induction motor**

1~ 230V - 50Hz  
required run capacitor  
(35µF for 1,5HP model,  
50µF for 2HP model)

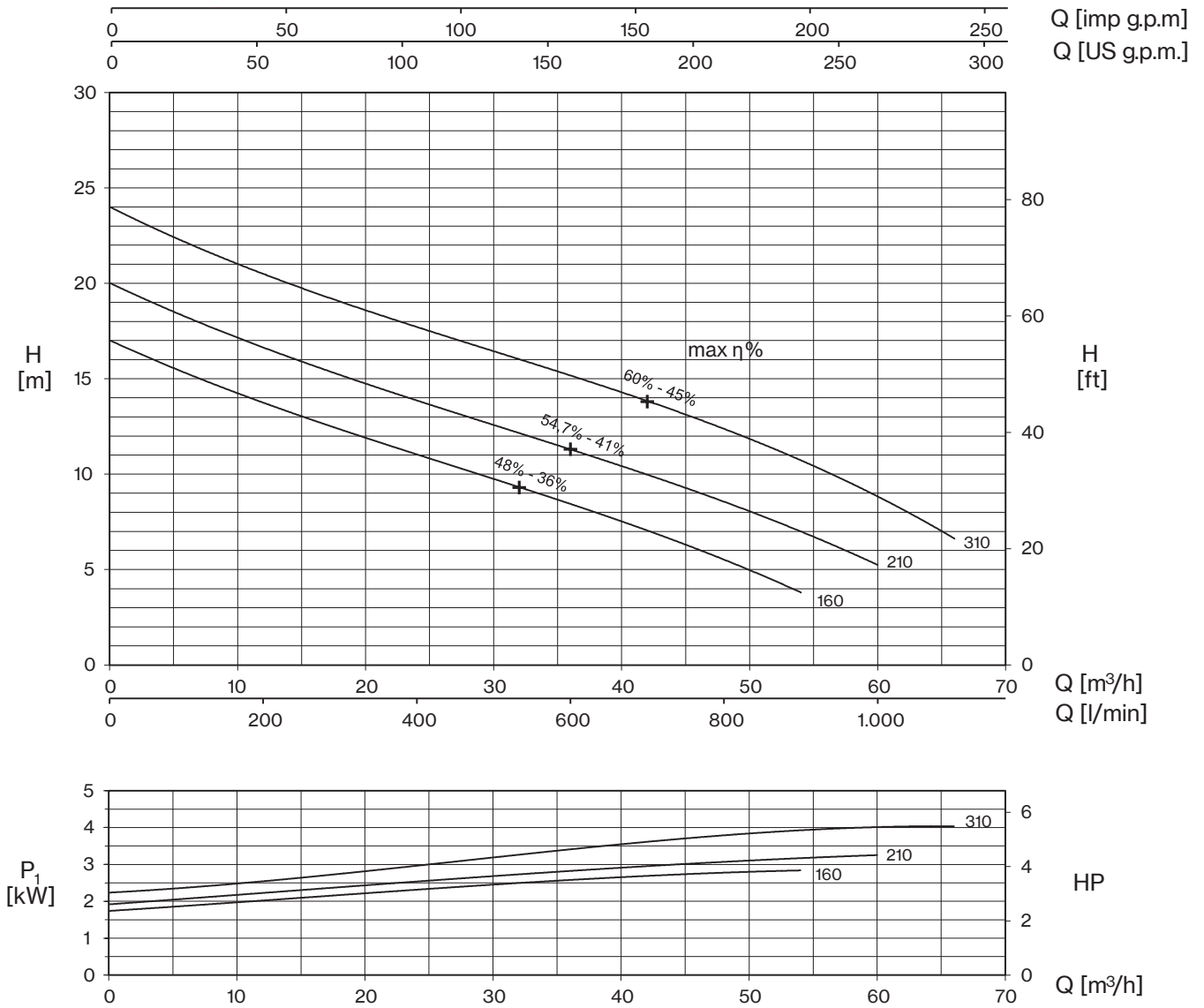
**Insulation class** F

**Protection degree** IPX8

### DM T 560



# DM



TYPE		AMPERE				
1~	3~	230 V 50 Hz	3x230 V 50 Hz (*)	3x400 V 50 Hz	230/400 V 50 Hz λ/Δ (*)	400/690 V 50 Hz λ/Δ
DM 160	DMT 160	12,5	7,6	4,4	-	-
DM 210	DMT 210	15	9,5	5,5	-	-
-	DMT 310	-	12	6,9	-	-

**+ max η %**

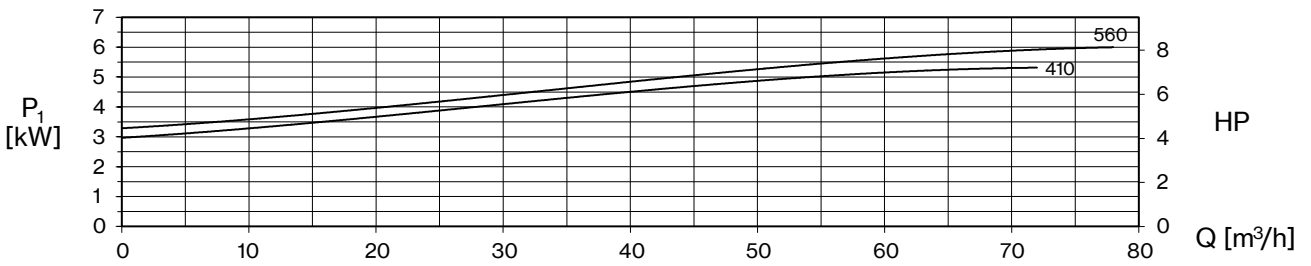
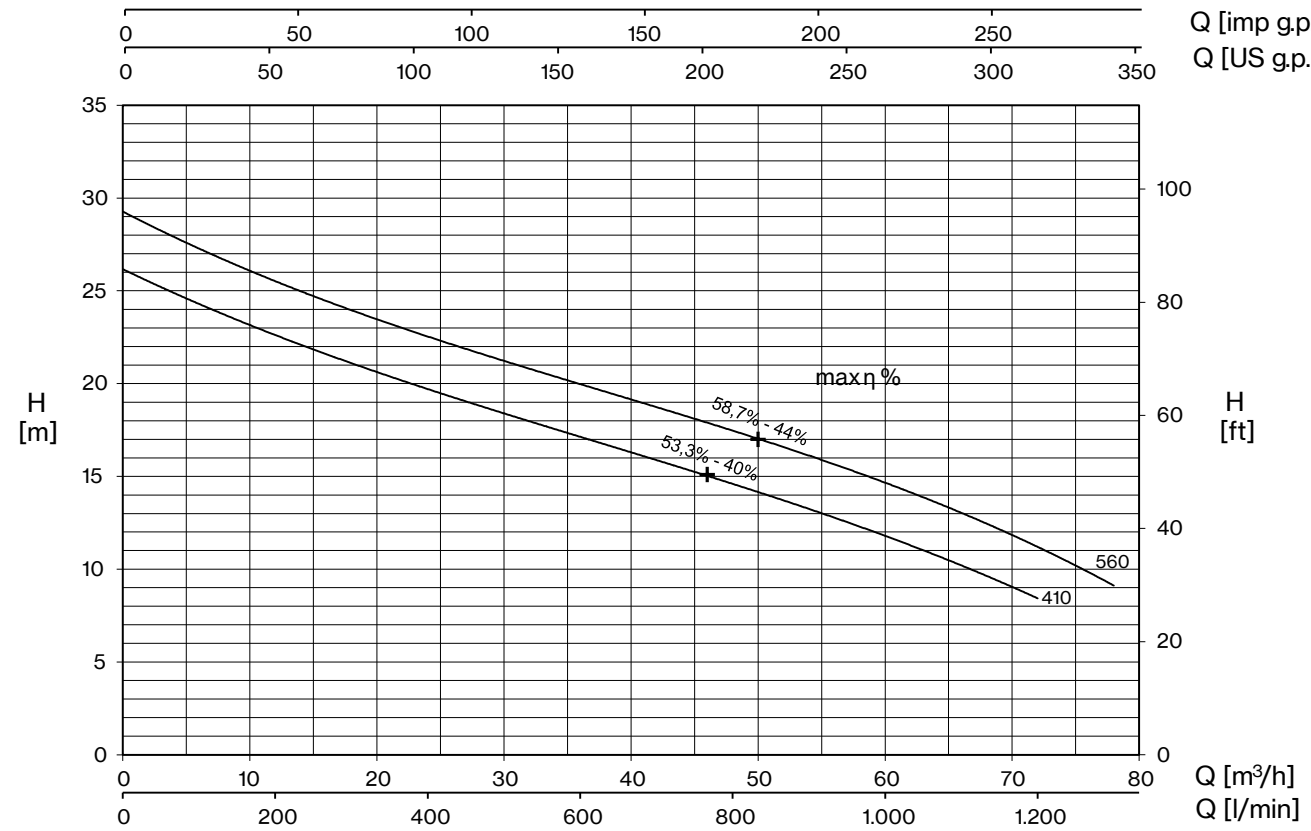
max hydraulic efficiency and respective total efficiency

(\*) no standard execution

TYPE		P2		P1 (kW)		Q (m³/h - l/min)												
1~	3~	HP	kW	1~	3~	0	6	12	18	24	30	36	42	48	54	60	66	
						0	100	200	300	400	500	600	700	800	900	1000	1100	
						H (m)												
DM 160	DMT 160	1,5	1,1	2,8	2,6	17,0	15,3	13,8	12,3	11,0	9,8	8,4	7,1	5,5	3,8			
DM 210	DMT 210	2	1,5	3,3	3,1	19,9	18,4	16,7	15,2	13,8	12,4	11,3	10,1	8,6	7,0	5,2		
-	DMT 310	3	2,2	-	4,1	23,9	22,2	20,6	19,1	17,8	16,3	15,0	13,8	12,3	10,9	9,1	6,4	



Q [imp g.p.m]  
Q [US g.p.m.]



TYPE	AMPERE			
	3x230 V 50 Hz (*)	3x400 V 50 Hz	230/400 V 50 Hz λ / Δ (*)	400/690 V 50 Hz λ / Δ
<b>DMT 410</b>	15,4	8,9	-	-
<b>DMT 560</b>	17,6	10,2	-	-

(\*) no standard execution

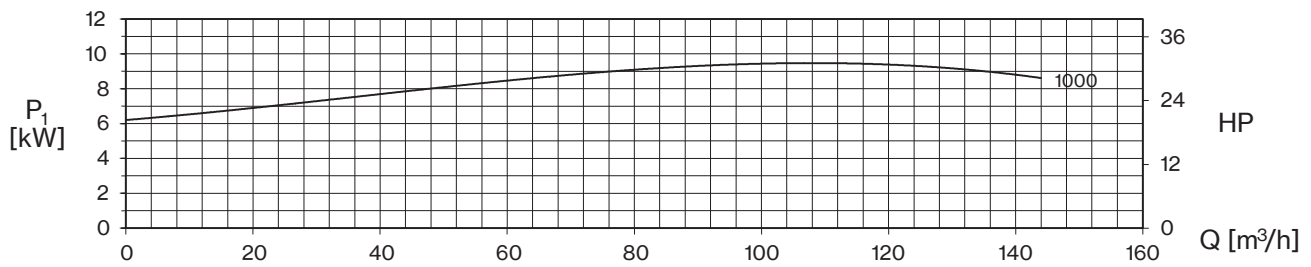
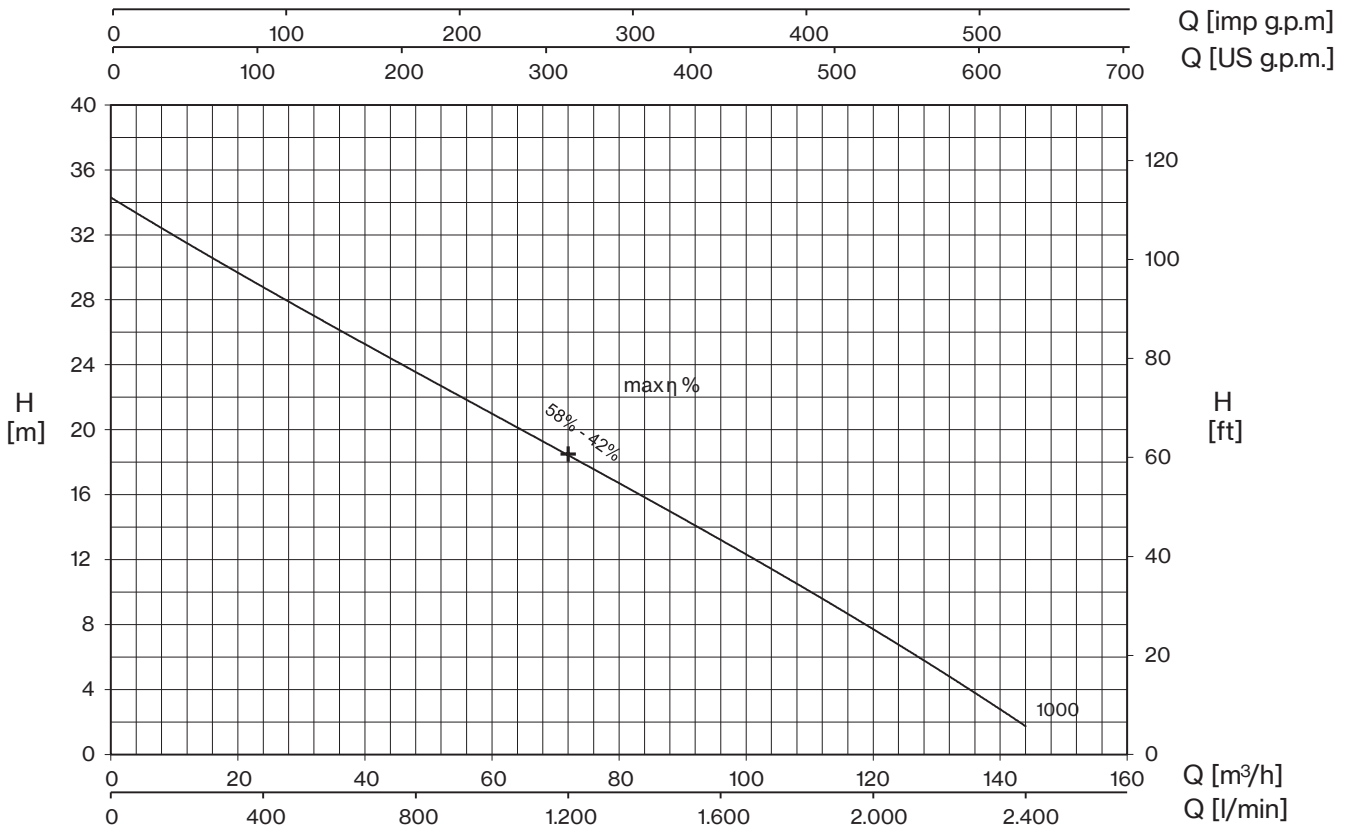
+ max η %

max hydraulic efficiency and respective total efficiency

TYPE	P2		P1 (kW)	Q (m³/h - l/min)										
				0	6	18	30	42	54	60	66	72	78	
	HP	kW	3~	0	100	300	500	700	900	1000	1100	1200	1300	
<b>DMT 410</b>	4	3	5,3	26	24,6	21,1	18,2	15,9	13,3	11,8	10,3	8,3		
<b>DMT 560</b>	5,5	4	6,0	29,1	27,5	24,1	21,1	18,6	16,1	14,7	13,1	11,4	8,9	



# DM



TYPE	AMPERE			
	3x230 V 50 Hz (*)	3x400 V 50 Hz	230/400 V 50 Hz $\lambda / \Delta$ (*)	400/690 V 50 Hz $\lambda / \Delta$
<b>DMT 1000</b>	-	16,3	28,2	16,3

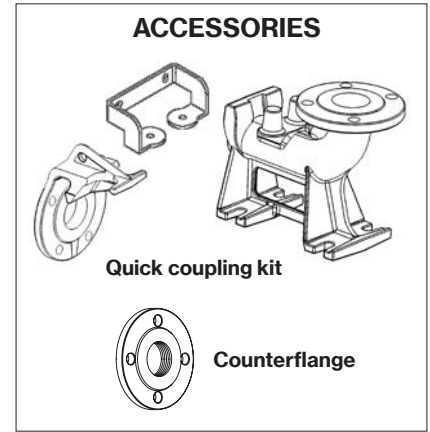
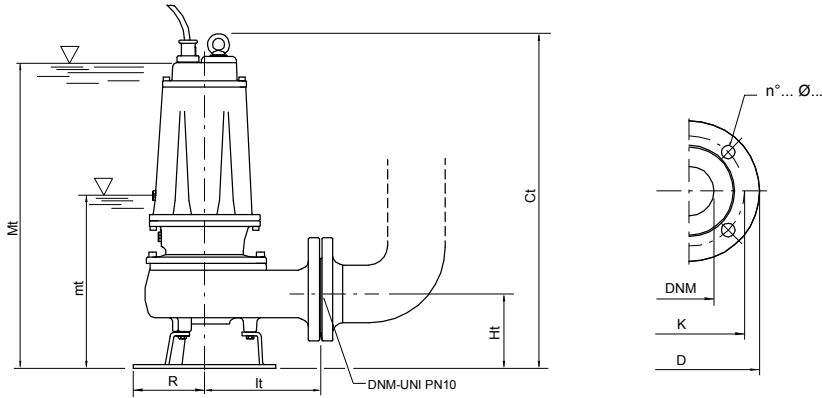
**+ max  $\eta$  %**

max hydraulic efficiency and respective total efficiency

(\*) no standard execution

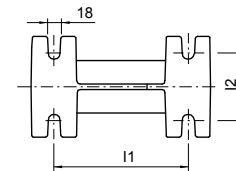
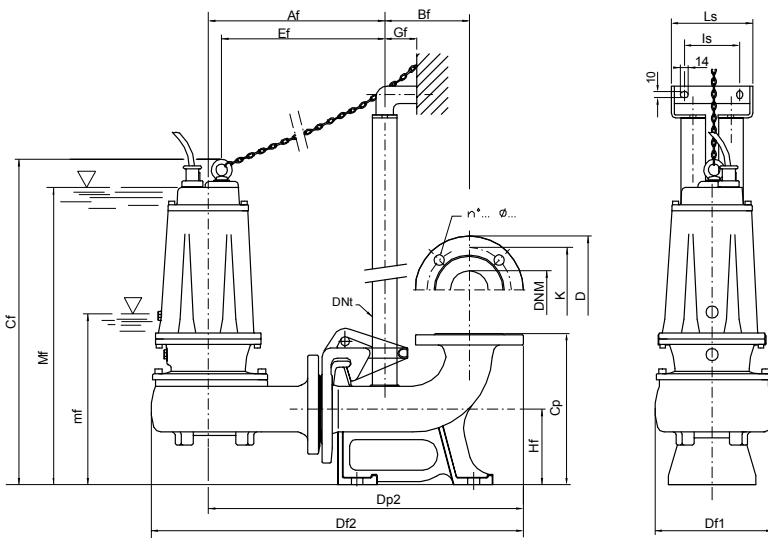
TYPE	P <sub>2</sub>		P <sub>1</sub> (kW)	Q (m³/h - l/min)													
				0	12	24	36	48	60	72	84	96	108	120	132	144	
	HP	kW	3~	0	200	400	600	800	1000	1200	1400	1600	1800	2000	2200	2400	
<b>DMT 1000</b>	10	7,5	9,6	34,9	30,9	28,3	26,1	23,7	21,3	18,7	16,1	13,2	10,2	7,4	4,6	2,1	





mt: minimum working level  
Mt: minimum submersion level for continuous duty

TYPE	DIMENSIONS (mm)							Kg
	Ct	Ht	R	It	mt	Mt	DNM	
DMT 160	551	123	117	191	243	513	65	40
DM 160-DMT 210	551	123	117	191	243	513	65	41,5
DM 210-DMT 310	551	123	117	191	243	513	65	42,5
DMT 410	645	148	160	210	285	600	80	68
DMT 560	645	148	160	210	285	600	80	71,5
DMT 1000	725	178	180	232	358	670	80	94



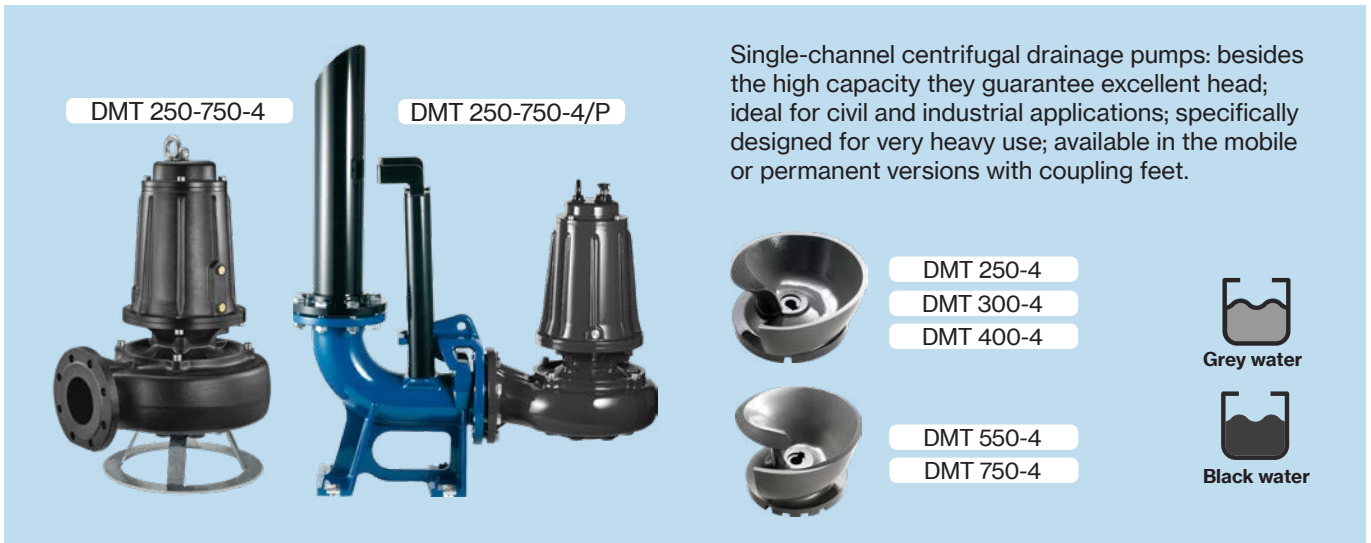
mf: minimum working level  
Mf: minimum submersion level for continuous duty

Flange UNI PN 10 (mm)			
DNM	K	D	n°... Ø...
65	145	185	4... 18...
80	160	200	8... 18...

TYPE	DIMENSIONS (mm)																	
	Af	Bf	Cf	Cp	Df1	Df2	Dp2	Dnt	Ef	Gf	Hf	I1	I2	Is	Ls	mf	Mf	DNM
DMT 160 / P	303	145	560	260	200	639	542	1" 1/4	280	55	130	200	100	95	140	251	521	65
DM 160 / P, DMT 210 / P	303	145	560	260	200	639	542	1" 1/4	280	55	130	200	100	95	140	251	521	65
DM 210 / P, DMT 310 / P	303	145	560	260	200	639	542	1" 1/4	280	55	130	200	100	95	140	251	521	65
DMT 410 / P	350	165	690	340	220	722	615	2"	319	85	190	250	140	130	180	327	642	80
DMT 560 / P	350	165	690	340	220	722	615	2"	319	85	190	250	140	130	180	327	642	80
DMT 1000 / P	370	165	745	340	240	750	638	2"	350	85	190	250	140	130	180	380	690	80
DMT 1000/P	370	165	745	340	235	750	638	2"	338	85	190	250	140	130	180	380	690	80


TYPE	PROTECTION		1 PUMP CONTROL PANEL			2 PUMPS CONTROL PANEL		
	1 x 230 V	3 x 400 V	1 x 230 V	3 x 400 V	400 / 690 V	1 x 230 V	3 x 400 V	400 / 690 V
DM 160	PMC 15/35-15	PT 20-30-40/4.3-6.8	EQSM + 35µF	EQSMT 10		EQ2SM + 2x35µF	EQ2SMT 10	
DM 210	PMC 20/50-18	PT 20-30-40/4.3-6.8	EQSM + 50µF	EQSMT 10		EQ2SM + 2x50µF	EQ2SMT 10	
DMT 310		PT 40-50/5.7-9.1		EQSMT 10			EQ2SMT 10	
DMT 400		PT 55-75/8.6-13.5		EQSMT 10			EQ2SMT 10	
DMT 550		PT 55-75/8.6-13.5		EQSMT 10			EQ2SMT 10	
DMT 1000		PT 125-150/16-21		EQSMT 10	QST 10		EQ2SMT 10	Q2ST 10





Single-channel centrifugal drainage pumps: besides the high capacity they guarantee excellent head; ideal for civil and industrial applications; specifically designed for very heavy use; available in the mobile or permanent versions with coupling feet.

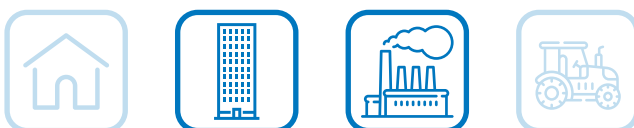
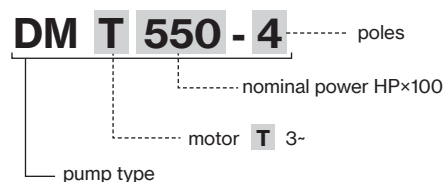
### Construction features

<b>Pump body</b>	cast iron
 <b>Impeller</b>	cast iron
<b>Mechanical seal</b>	double seal with oil barrier: silicon carbide on pump side, ceramic-graphite on motor side
<b>Motor shaft</b>	stainless steel AISI 304
<b>Free passage</b>	Ø max 60 mm (DMT 250/4÷400/4) Ø max 90 mm (DMT 550/4-750/4)
<b>Max submergence</b>	20 m
<b>Liquid temperature</b>	0 - 40 °C
<b>Cable</b>	H07 RN8F, 10 m
<b>Bolts</b>	A2 stainless steel
<b>Foot support</b>	galvanized iron
<b>Gaskets</b>	NBR rubber

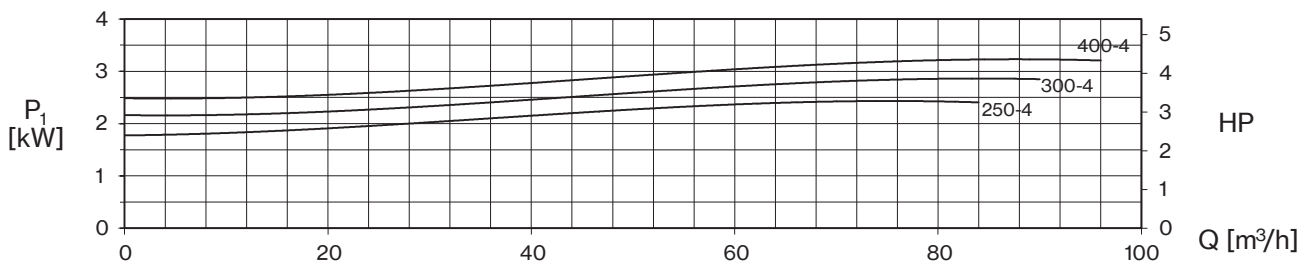
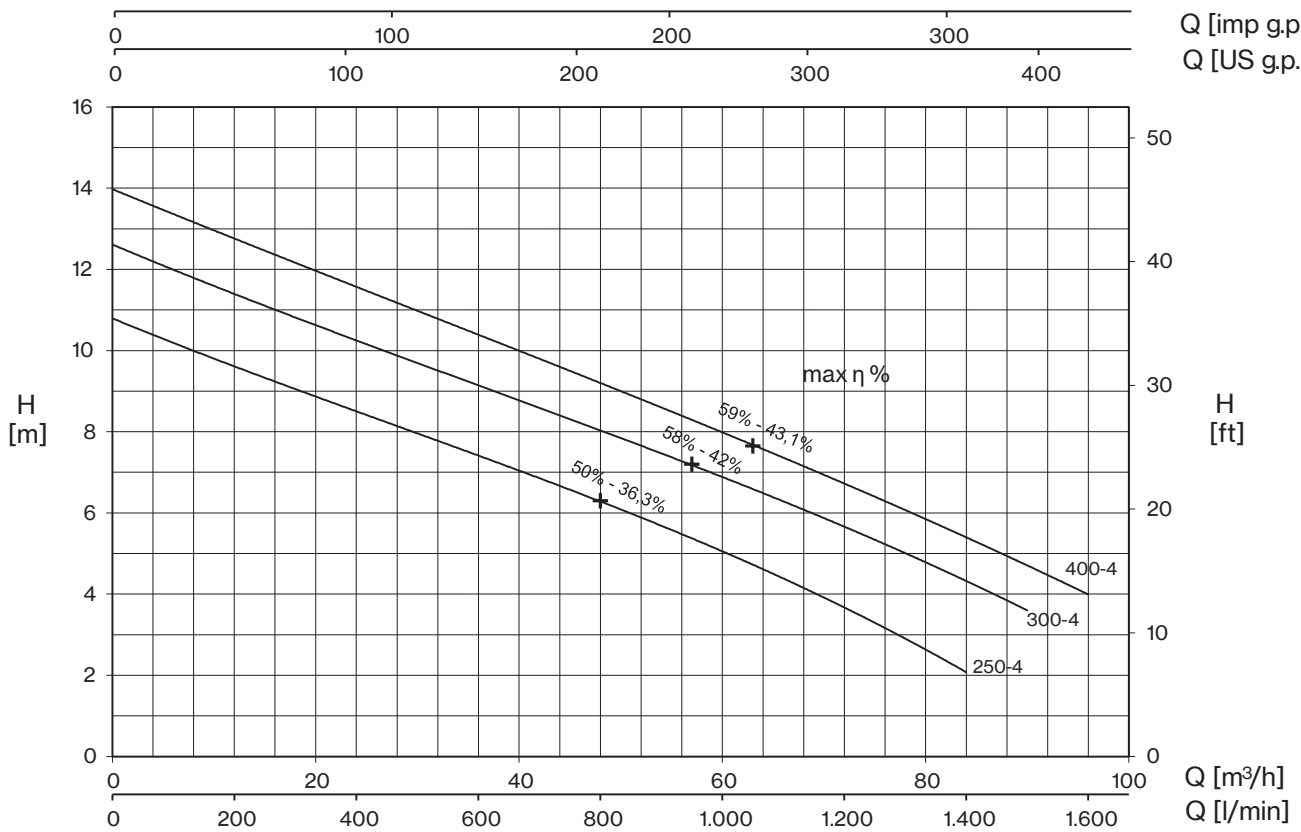
### Motor

<b>4 Poles induction motor</b>	3~ 230V - 50Hz 3~ 400V - 50Hz 3~ 230/400V - 50Hz 3~ 400/690V - 50Hz
<b>Insulation class</b>	F
<b>Protection degree</b>	IPX8

TYPE	TRUCK		CONTAINER	
	PALLET (cm)	N° pumps	PALLET (cm)	N° pumps
DMT 250-4÷750-4	85×110×190	12	100×120×190	12



Q [imp g.p.m]  
Q [US g.p.m.]



TYPE	AMPERE			
	3x230 V 50 Hz (*)	3x400 V 50 Hz	230/400 V 50 Hz λ / Δ (*)	400/690 V 50 Hz λ / Δ
DMT 250-4	7,8	4,5	-	-
DMT 300-4	9	5,2	-	-
DMT 400-4	11,2	6,5	-	-

+ max η %

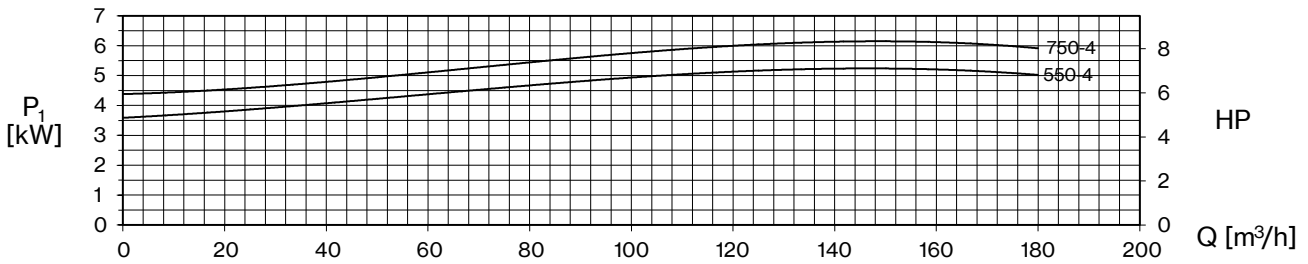
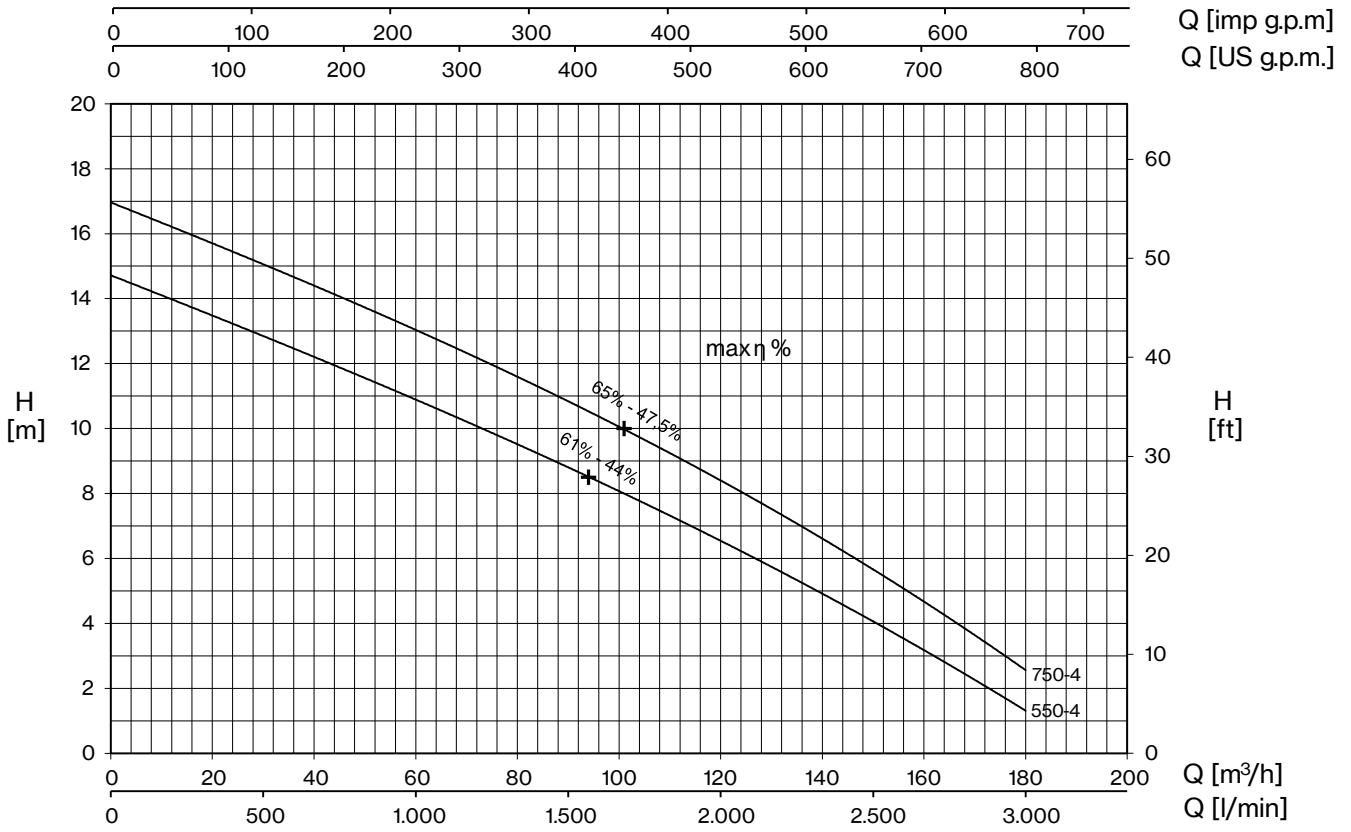
max hydraulic efficiency and respective total efficiency

(\*) no standard execution

TYPE	P2		P1 (kW)	Q (m³/h - l/min)										
				0	12	24	36	48	60	72	84	90	96	
	HP	kW	3-	0	200	400	600	800	1000	1200	1400	1500	1600	
	H (m)													
DMT 250-4	2,5	1,8	2,4	10,8	9,6	8,5	7,4	6,3	5,1	3,6	2,1			
DMT 300-4	3	2,2	2,9	12,6	11,4	10,3	9,1	8,0	6,9	5,7	4,3	3,6		
DMT 400-4	4	3	3,2	14,0	12,7	11,6	10,4	9,2	8,0	6,7	5,4	4,7	4,0	



# DM4



TYPE	AMPERE			
	3x230 V 50 Hz (*)	3x400 V 50 Hz	230/400 V 50 Hz λ / Δ (*)	400/690 V 50 Hz λ / Δ
DMT 550-4	-	9,4	16,3	9,4
DMT 750-4	-	11,8	20,4	11,8

+ max η %

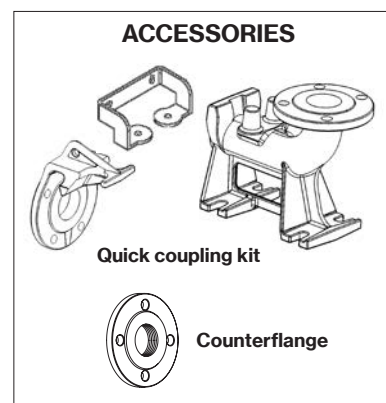
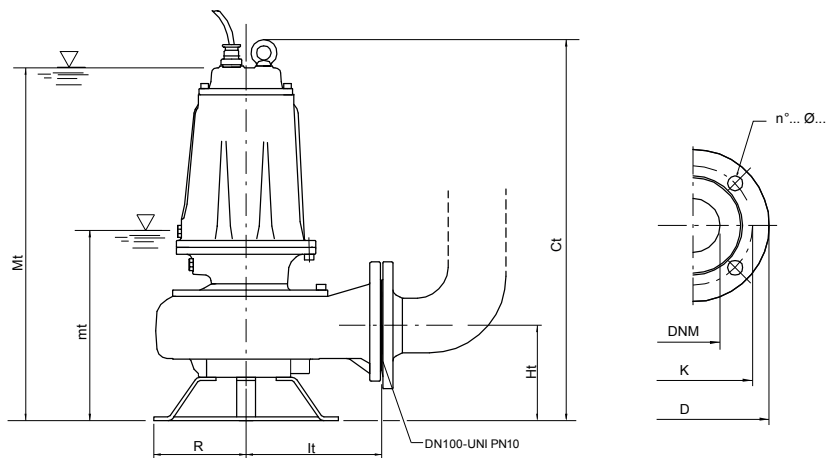
max hydraulic efficiency and respective total efficiency

(\*) no standard execution

TYPE	P2		P1 (kW)	Q (m³/h - l/min)															
				0	12	24	36	48	60	72	84	96	108	120	132	144	156	168	180
	HP	kW	3~	0	200	400	600	800	1000	1200	1400	1600	1800	2000	2200	2400	2600	2800	3000
DMT 550-4	5,5	4	5,2	14,7	14,0	13,2	12,5	11,7	10,9	10,1	9,2	8,3	7,5	6,5	5,6	4,6	3,6	2,4	1,3
DMT 750-4	7,5	5,5	6,1	17,0	16,2	15,4	14,7	13,8	13,0	12,2	11,4	10,4	9,4	8,4	7,3	6,2	5,1	3,8	2,6

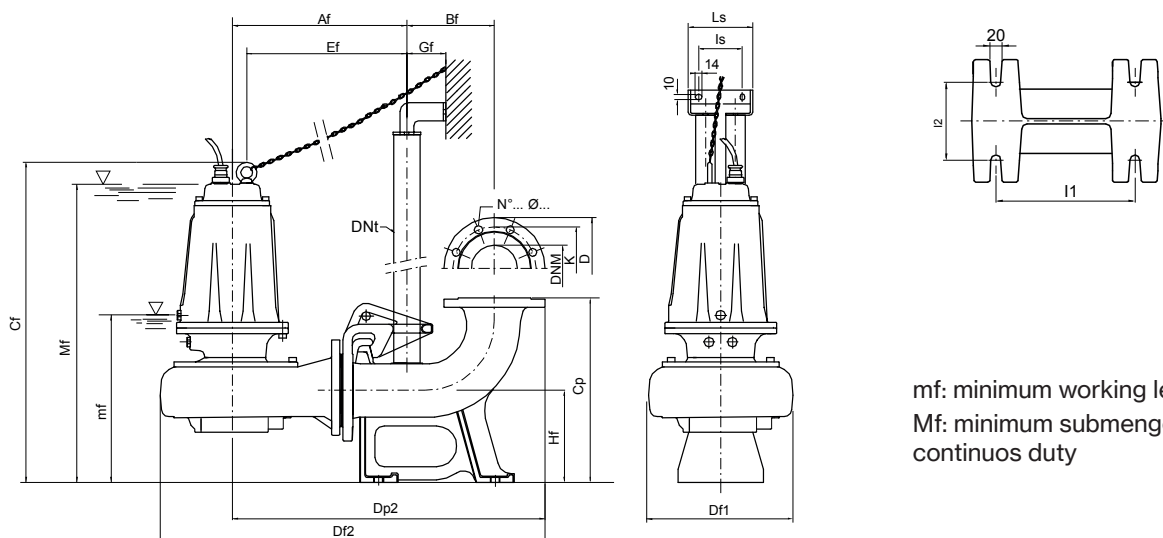






mt: minimum working level  
 Mt: minimum submersion level for continuous duty

TYPE	DIMENSIONS (mm)							Kg
	Ct	Ht	R	It	mt	Mt	DNM	
DMT 250-4	660	165	160	235	300	614	100	71,5
DMT 300-4	660	165	160	235	300	614	100	74
DMT 400-4	660	165	160	235	300	614	100	77,5
DMT 550-4	715	195	180	276	385	695	100	104
DMT 750-4	715	195	180	276	385	695	100	107,5



mf: minimum working level  
 Mf: minimum submersion level for continuous duty

TYPE	DIMENSIONS (mm)																	
	Af	Bf	Cf	Cp	Df1	Df2	Dp2	Dnt	Ef	Gf	Hf	l1	l2	ls	Ls	mf	Mf	DNM
DMT 250-4/P	378	190	695	400	317	835	678	2"	347	85	200	250	140	130	180	335	650	100
DMT 300-4/P	378	190	695	400	317	835	678	2"	347	85	200	250	140	130	180	335	650	100
DMT 400-4/P	378	190	695	400	317	835	678	2"	347	85	200	250	140	130	180	335	650	100
DMT 550-4/P	419	190	755	400	371	900	719	2"	384	85	200	250	140	130	180	390	700	100
DMT 750-4/P	419	190	755	400	371	900	719	2"	384	85	200	250	140	130	180	390	700	100

Flange UNI PN 10 (mm)			
DNM	K	D	n°... Ø...
100	180	220	8... 18...

TYPE	PROTECTION	1 PUMP CONTROL PANEL		2 PUMPS CONTROL PANEL	
		3 x 400 V	400 / 690 V	3 x 400 V	400 / 690 V
DMT 250-4	PT 40-50/5.7-9.1	EQSMT 10		EQ2SMT 10	
DMT 300-4	PT 40-50/5.7-9.1	EQSMT 10		EQ2SMT 10	
DMT 400-4	PT 40-50/5.7-9.1	EQSMT 10		EQ2SMT 10	
DMT 550-4	PT 55-75/8.6-13.5	EQSMT 10		EQ2SMT 10	
DMT 750-4	PT 100/12.5-16.5	EQSMT 10	QST 5	EQ2SMT 10	Q2ST 5



# DTR 101



Drainage pumps with open impeller characterized by head in ratio to the type and size of the machine. The grinder allows to pumps sewage containing textile or filamentous fibres have to be crushed. The single-phase version includes a built-in capacitor, a thermal protector and it can be equipped with a float switch.



Grey water



Black water

## Construction features

<b>Pump body</b>	cast iron
<b>Shell, motor cover</b>	stainless steel
<b>Impeller</b>	brass
<b>Mechanical seal</b>	double seal with oil barrier: silicon carbide on pump side, sealing ring on motor side
<b>Motor shaft</b>	stainless steel AISI 430

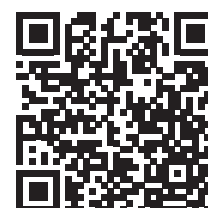
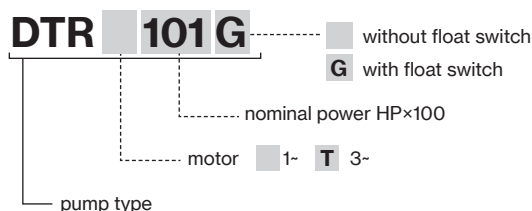


**Grinder** treated stainless steel

<b>Max submergence</b>	5 m
<b>Liquid temperature</b>	0 - 40 °C
<b>Cable</b>	H07 RN8F, 10 m
<b>G</b>	float switch

## Motor

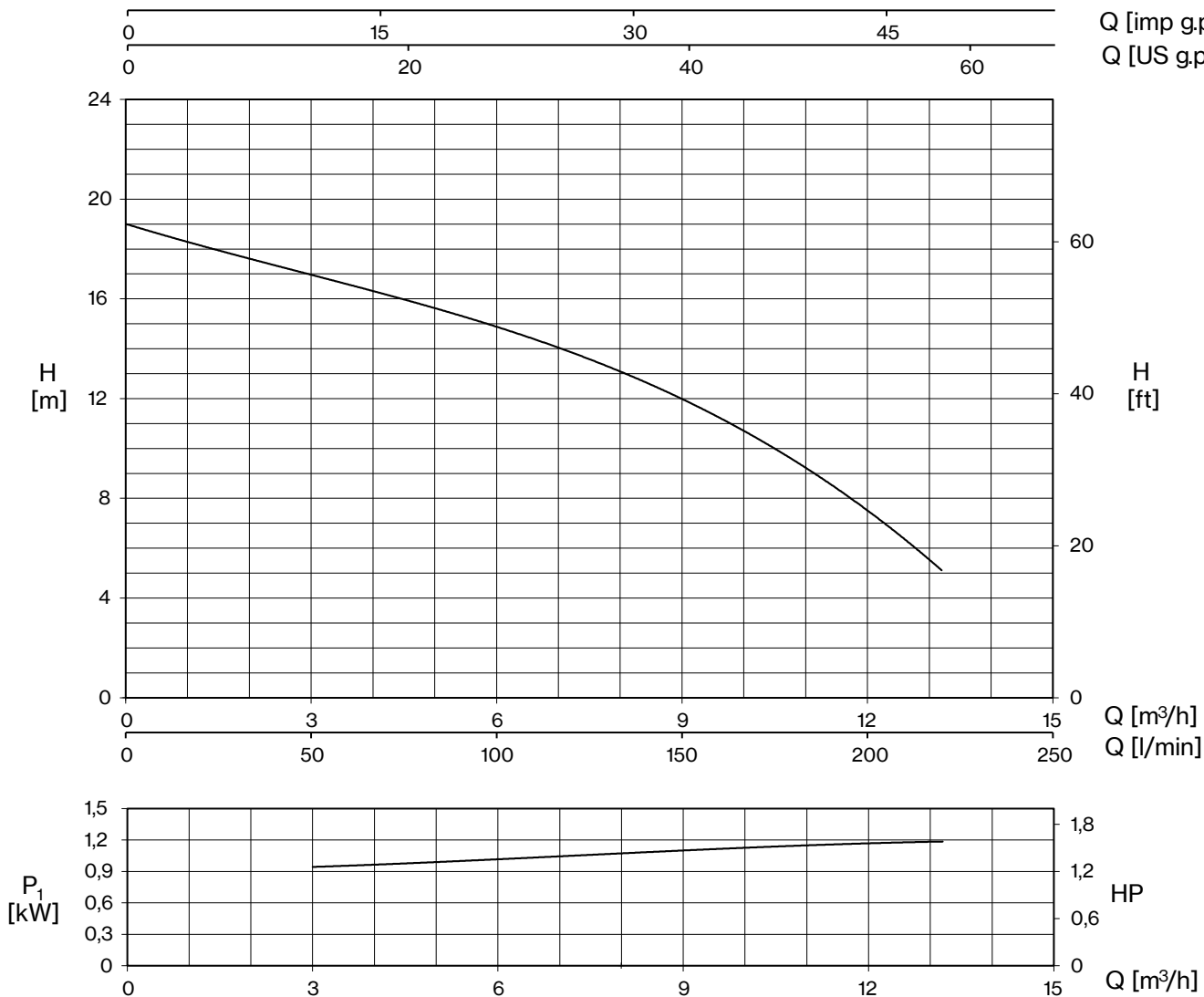
	3~ 400V - 50Hz
<b>2 Poles induction motor</b>	1~ 230V - 50Hz (with thermal protection)
<b>Insulation class</b>	F
<b>Protection degree</b>	IPX8



# DTR 101

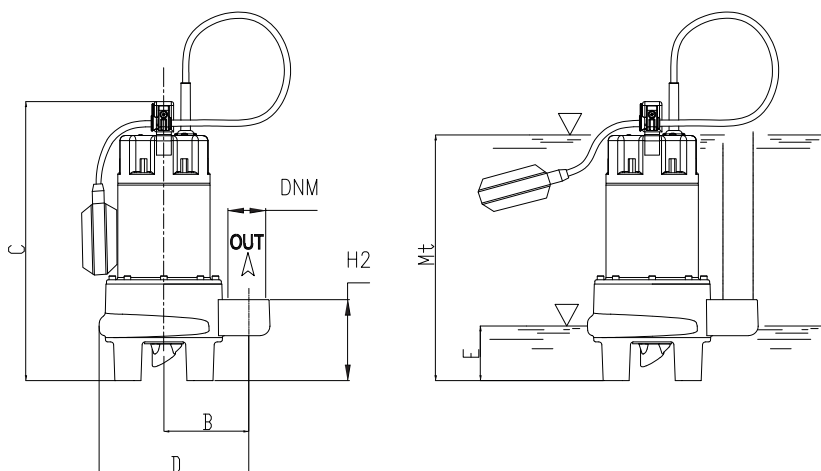
Q [imp g.p.m.]

Q [US g.p.m.]



TYPE		W	AMPERE		Q (m³/h - l/min)					
1-	3-		1-	3-	0	3	6	9	12	13,2
					0	50	100	150	200	220
					H (m)					
DTR 101 (G)	DTRT 101	1200	5,3	2,2	19,0	17,1	14,8	11,9	7,8	4,9

E: maximum emptying level  
Mt: minimum liquid level for continuous duty



TYPE	DIMENSIONS (mm)										Kg
	B	C	D	E	H2	Mt	DNM	I	L	M	
DTR 101	105	359	218,5	70	104,5	313	1" 1/2 G	260	185	450	16,5




# DTR/DTRT

Sewage  
Grinder



Drainage and waste water pumps equipped with open impeller and grinder system able to shred sewage with suspended solids and prevent the pump from clogging. Best for emptying of septic tanks and residential sumps as well as for rain water systems and for draining of flooded areas where seamless operation is required. The quick coupling feet DN50 and DN65 is available for flanged pumps.

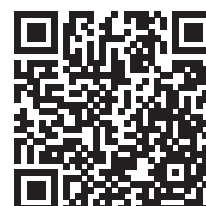
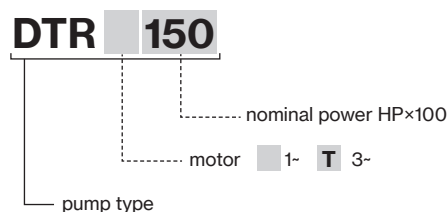
## Construction features

<b>Pump body</b>	cast iron
<b>Impeller</b>	cast iron
<b>Mechanical seal</b>	double seal with oil barrier: silicon carbide on pump side, ceramic-graphite on motor side
<b>Motor shaft</b>	stainless steel AISI 304
<b>Max submergence</b>	20 m
<b>Liquid temperature</b>	0 - 40 °C
 <b>Grinder</b>	treated stainless steel
<b>Bolts</b>	A2 stainless steel
<b>Foot support</b>	galvanized iron
<b>Gaskets</b>	NBR rubber

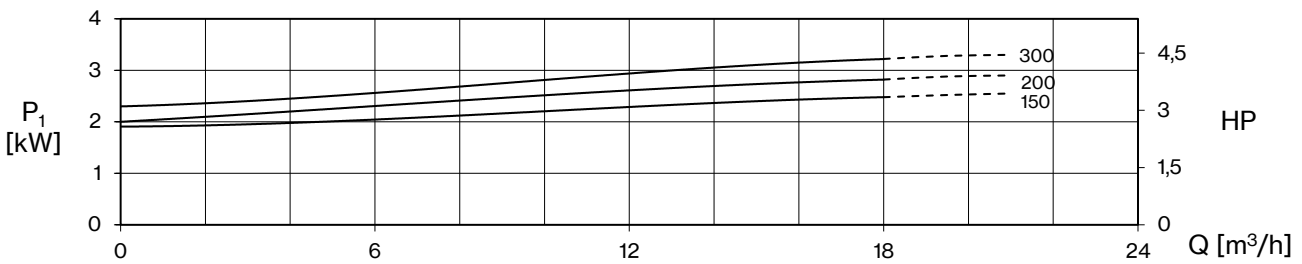
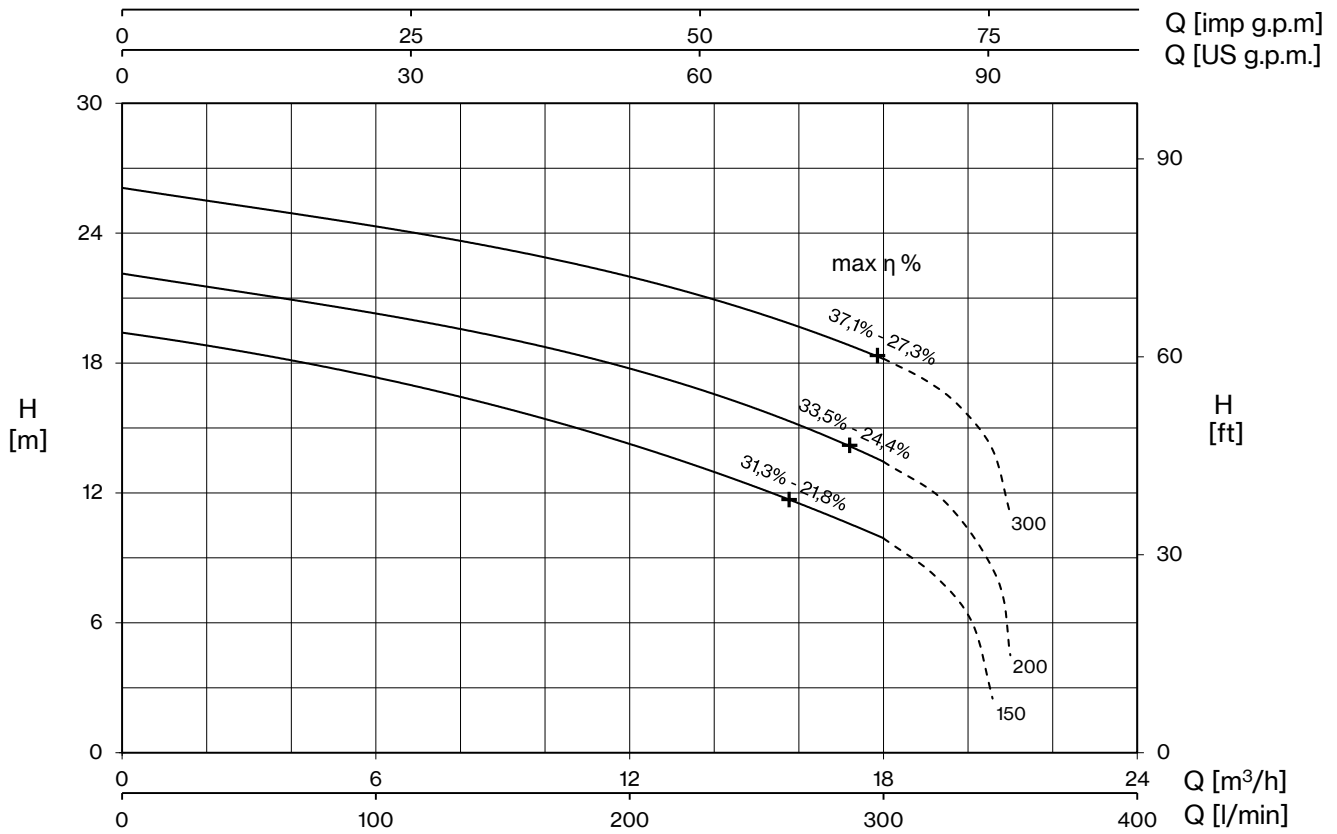
## Motor

<b>2 Poles induction motor</b>	3~ 230V - 50Hz
	3~ 400V - 50Hz
	3~ 230/400V - 50Hz
	3~ 400/690V - 50Hz
<b>Insulation class</b>	F
	<b>Protection degree</b>

TYPE	LOTS			
	TRUCK		CONTAINER	
	PALLET (cm)	N° pumps	PALLET (cm)	N° pumps
<b>DTRT 150÷300</b>	85×110×145	18	85×110×190	27
<b>DTRT 400-550</b>	85×110×170	12	85×110×170	12
<b>DTRT 750-1000</b>	100×120×190	12	100×120×190	12



# DTR/DTRT



TYPE		AMPERE				
1~	3~	230 V 50 Hz	3x230 V 50 Hz (*)	3x400 V 50 Hz	230/400 V 50 Hz λ / Δ (*)	400/690 V 50 Hz λ / Δ
DTR 150	DTRT 150	11,5	7,6	4,4	-	-
DTR 200	DTRT 200	13,6	8,8	5,1	-	-
-	DTRT 300	-	10,0	5,8	-	-

+ max  $\eta$  %

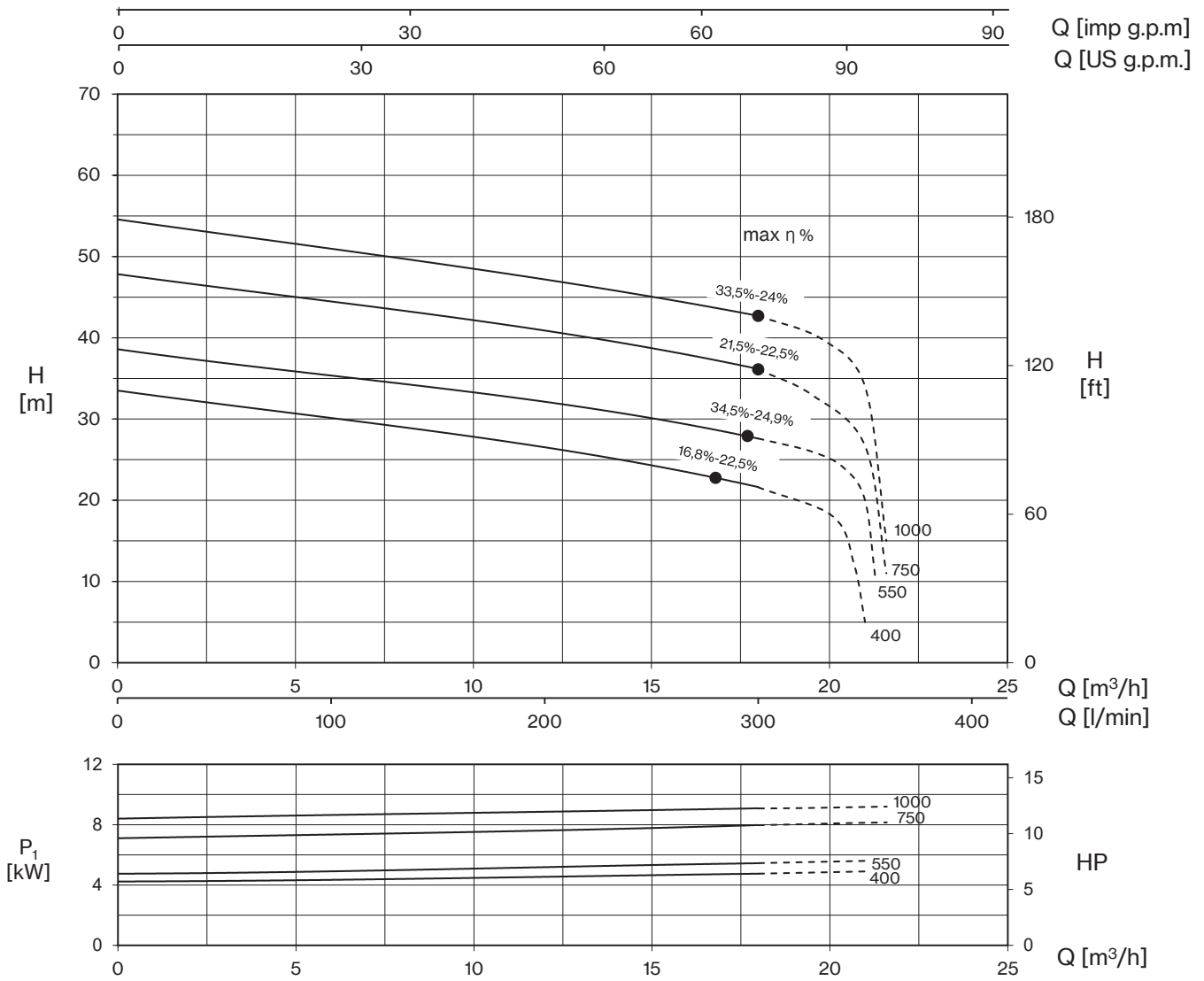
max hydraulic efficiency and respective total efficiency

(\*) no standard execution

TYPE		P2		P1 (kW)		Q (m³/h - l/min)							
1~	3~	HP	kW	1~	3~	0	3	6	9	12	13,2	15	18
						0	50	100	150	200	220	250	300
						H (m)							
DTR 150	DTRT 150	1,5	1,1	2,6	2,5	19,4	18,5	17,3	16,0	14,2	13,5	12,3	9,9
DTR 200	DTRT 200	2	1,1	3	2,8	22,1	21,3	20,3	19,1	17,7	17,1	16	13,4
-	DTRT 300	3	2,2	-	3,2	26,1	25,2	24,3	23,3	22	21,4	20,3	18,2



# DTR/DTRT



TYPE	AMPERE			
	3x230 V 50 Hz (*)	3x400 V 50 Hz	230/400 V 50 Hz λ / Δ (*)	400/690 V 50 Hz λ / Δ
DTRT 400	13,0	7,5	-	-
DTRT 550	15,9	9,2	-	-
DTRT 750	-	13,9	24	13,9
DTRT 1000	-	15,5	26,8	15,5

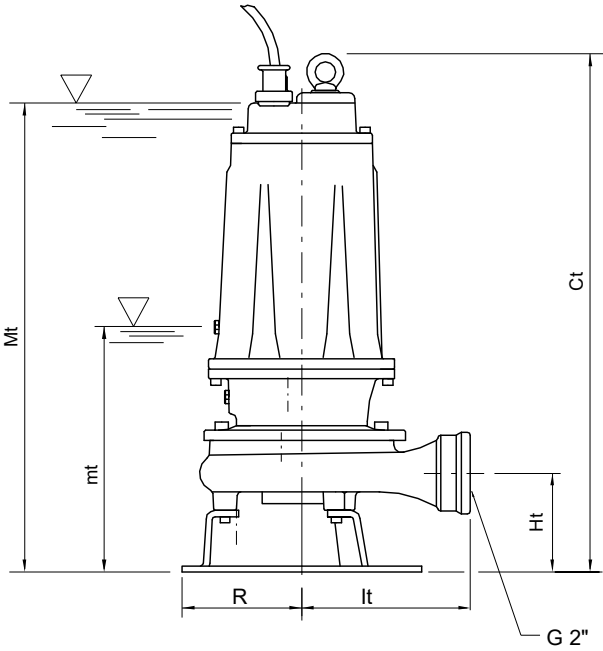
(\*) no standard execution

## + max η %

max hydraulic efficiency and respective total efficiency

TYPE	P2		P1 (kW)	Q (m³/h - l/min)							
				0	3	6	9	12	15	18	
	HP	kW	3~	0	50	100	150	200	250	300	
	H (m)										
DTRT 400	4	3	4,5	33,5	31,8	30,1	28,5	26,4	24,4	21,6	
DTRT 550	5,5	4	5,3	38,6	36,9	35,3	33,9	32,1	30,1	27,6	
DTRT 750	7,5	5,5	8,0	47,8	46,2	44,5	42,7	40,8	38,9	36,1	
DTRT 1000	10	7,5	9,1	54,6	52,7	51,0	49,2	47,1	45,1	42,7	





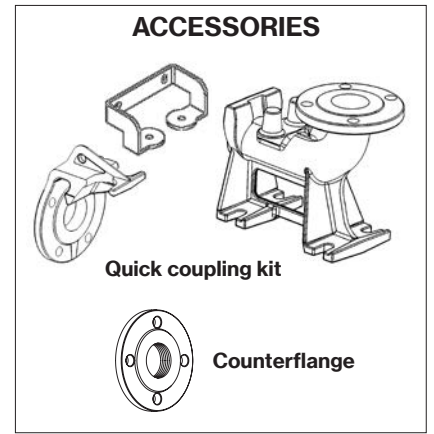
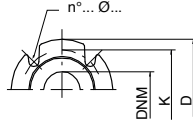
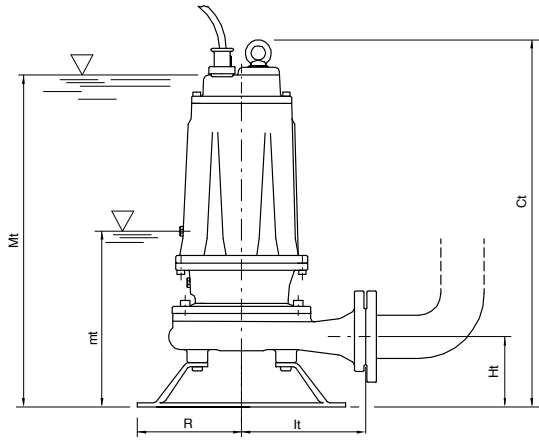
mt: minimum working level  
 Mt: minimum submersion level for continuous duty

TYPE	DIMENSIONS (mm)							Kg
	Ct	Ht	R	lt	mt	Mt	DNM	
DTR 150-DTRT 150	513	102	117	174	205	475	2" G	38
DTR 200-DTRT 200	513	102	117	174	205	475	2" G	38,5
DTRT 300	513	102	117	174	205	475	2" G	38

TYPE	PROTECTION		1 PUMP CONTROL PANEL			2 PUMPS CONTROL PANEL		
	1 x 230 V	3 x 400 V	1 x 230 V	3 x 400 V	400 / 690 V	1 x 230 V	3 x 400 V	400 / 690 V
DTR 150	PMLD 15/35-13	PT 20-30-40/4.3-6.8	EQSM + 35µF + 80µF*	EQSMT 10		EQ2SM + 2×35µF + 2×80µF*	EQ2SMT 10	
DTR 200	PMLD 20/50-15	PT 20-30-40/4.3-6.8	EQSM + 50µF + 80µF*	EQSMT 10		EQ2SM + 2×50µF + 2×80µF*	EQ2SMT 10	
DTRT 300		PT 20-30-40/4.3-6.8		EQSMT 10			EQ2SMT 10	
DTRT 400		PT 40-50/5.7-9.1		EQSMT 10			EQ2SMT 10	
DTRT 550		PT 55-75/8.6-13.5		EQSMT 10			EQ2SMT 10	
DTRT 750		PT 100/12.5-16.5		EQSMT 10	QST 7		EQ2SMT 10	Q2ST 7
DTRT 1000		PT 125-150/16-21		EQSMT 10	QST 10		EQ2SMT 10	Q2ST 10

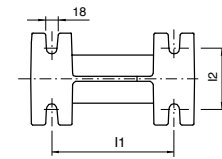
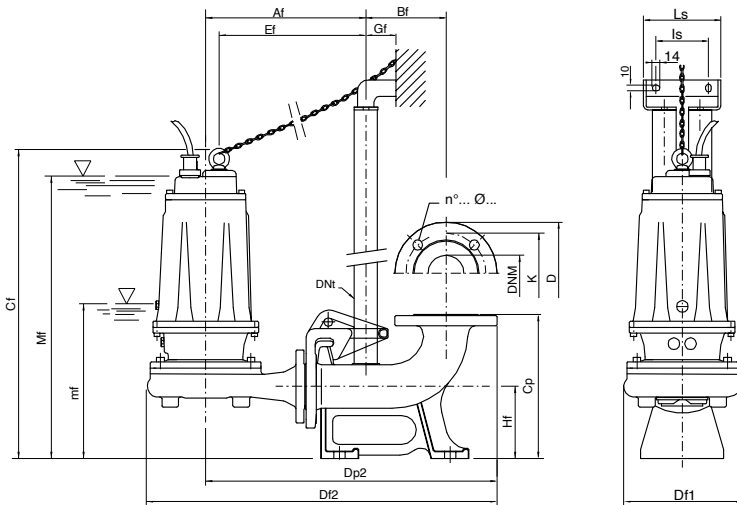
\*start capacitor with disjuntor

# DTR/DTRT



mt: minimum working level  
Mt: minimum submersion level for continuous duty

TYPE	DIMENSIONS (mm)							Kg
	Ct	Ht	R	It	mt	Mt	DNM	
<b>DTRT 400</b>	595	112	160	190	265	550	50	62,5
<b>DTRT 550</b>	595	112	160	190	265	550	50	65,5
<b>DTRT 750</b>	680	160	180	250	280	630	65	91,5
<b>DTRT 1000</b>	680	160	180	250	280	630	65	94,5



mf: minimum working level  
Mf: minimum submersion level for continuous duty

TYPE	DIMENSIONS (mm)																	
	Af	Bf	Cf	Cp	Df1	Df2	Dp2	Dnt	Ef	Gf	Hf	I1	I2	Is	Ls	mf	Mf	DNM
<b>DTRT 400/P</b>	300	145	614	260	237	654	538	1" 1/4	269	55	130	200	100	95	140	290	566	50
<b>DTRT 550/P</b>	300	145	614	260	237	654	538	1" 1/4	269	55	130	200	100	95	140	290	566	50
<b>DTRT 750/P</b>	331	145	656	260	279	710	569	1" 1/4	297	55	130	200	100	95	140	290	600	65
<b>DTRT 1000/P</b>	331	145	656	260	279	710	569	1" 1/4	297	55	130	250	100	95	140	290	600	65

Flange UNI PN 10 (mm)			
DNM	K	D	n°... Ø...
50	125	165	4... 18...
65	145	185	4... 18...







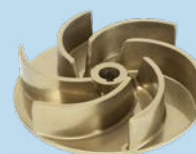
DG 80-102



DG 150



DG 80-102



DG 150



Drainage pumps with set-back Vortex type impeller for pumping sewage waters and liquids with suspended solids; ideal for civil and household applications. The single-phase version includes a built-in capacitor, a thermal protector and it can be equipped with a float switch.

## Construction features

**Pump body** cast iron

**Shell, motor cover, base support** stainless steel



**Impeller** Vortex stainless steel (80÷102); brass (150)

**Mechanical seal** double seal with oil barrier: pump side with silicon carbide mechanical seal; motor side with sealing ring (80÷102) or ceramic-graphite mechanical seal (150)

**Motor shaft** stainless steel AISI 430

**Free passage** Ø max 35 mm (80-100)  
Ø max 50 mm (82÷150)

**Max submergence** 5 m

**Liquid temperature** 0 - 40 °C

**Cable** H07 RN8F, 10 m

**G** float switch

## Motor

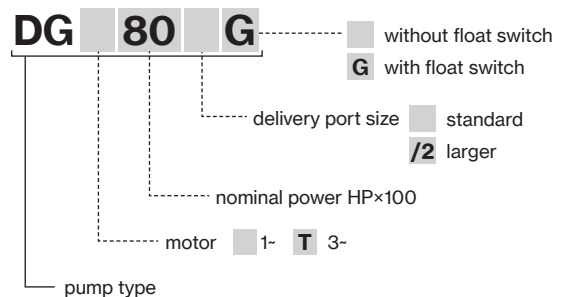
3~ 400V - 50Hz

**2 Poles induction motor** 1~ 230V - 50Hz  
(with thermal protection)

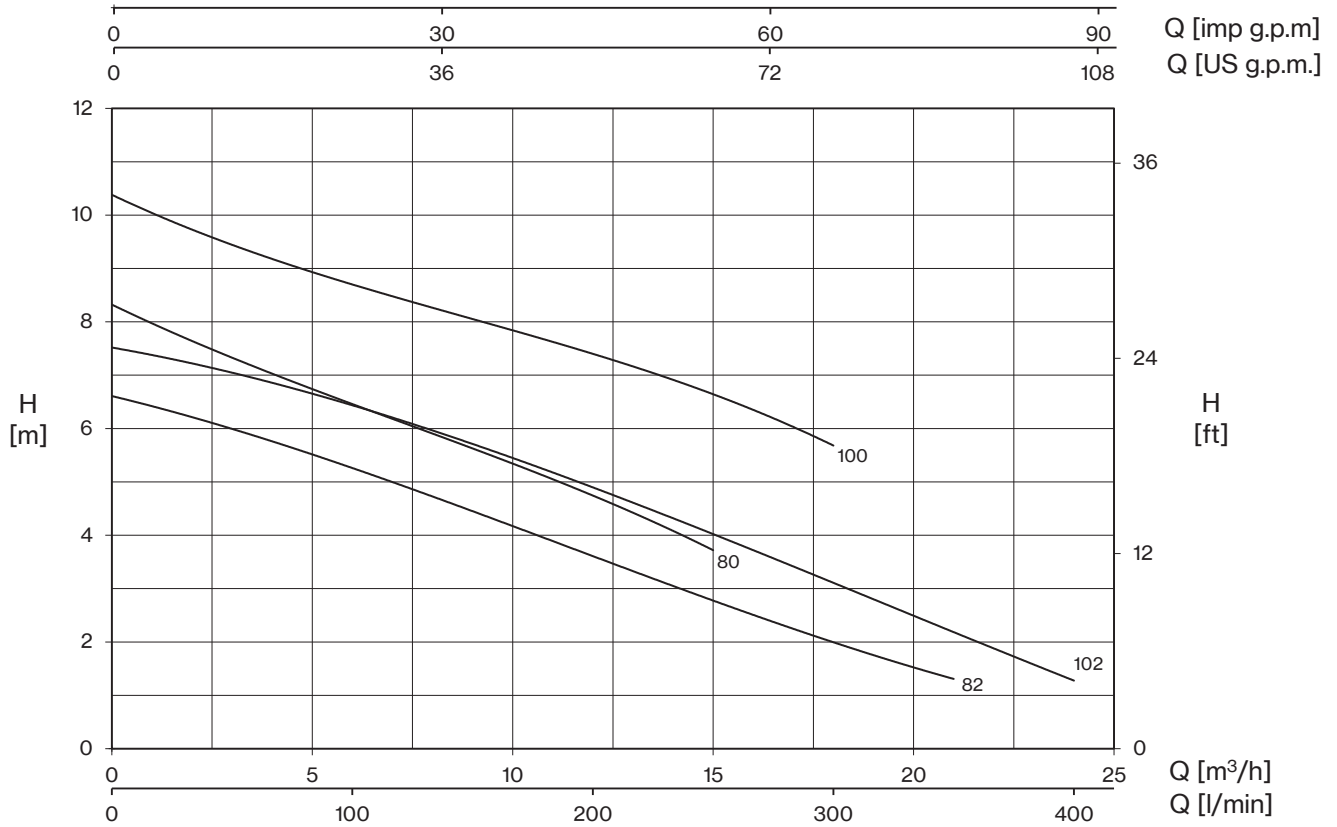
**Insulation class** F

**Protection degree** IPX8

TYPE	LOTS			
	TRUCK		CONTAINER	
	PALLET (cm)	N° pumps	PALLET (cm)	N° pumps
DG 80÷102	80×120×145	48	80×120×190	76
DG 150	80×120×160	51	80×120×160	51

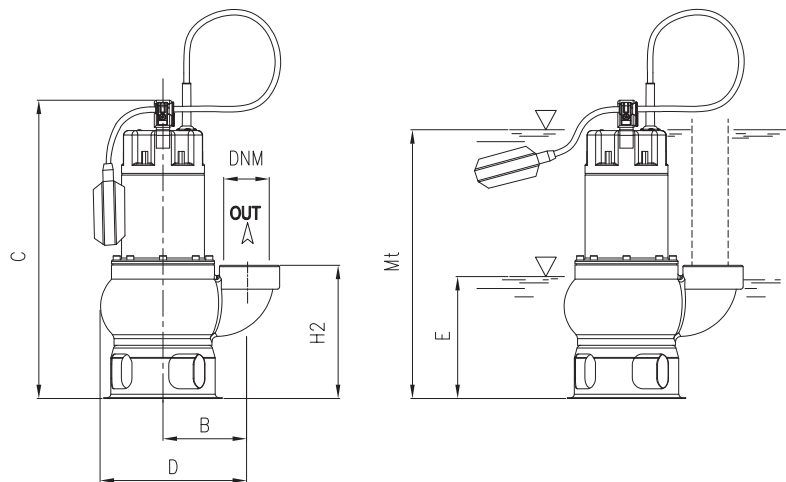


# DG



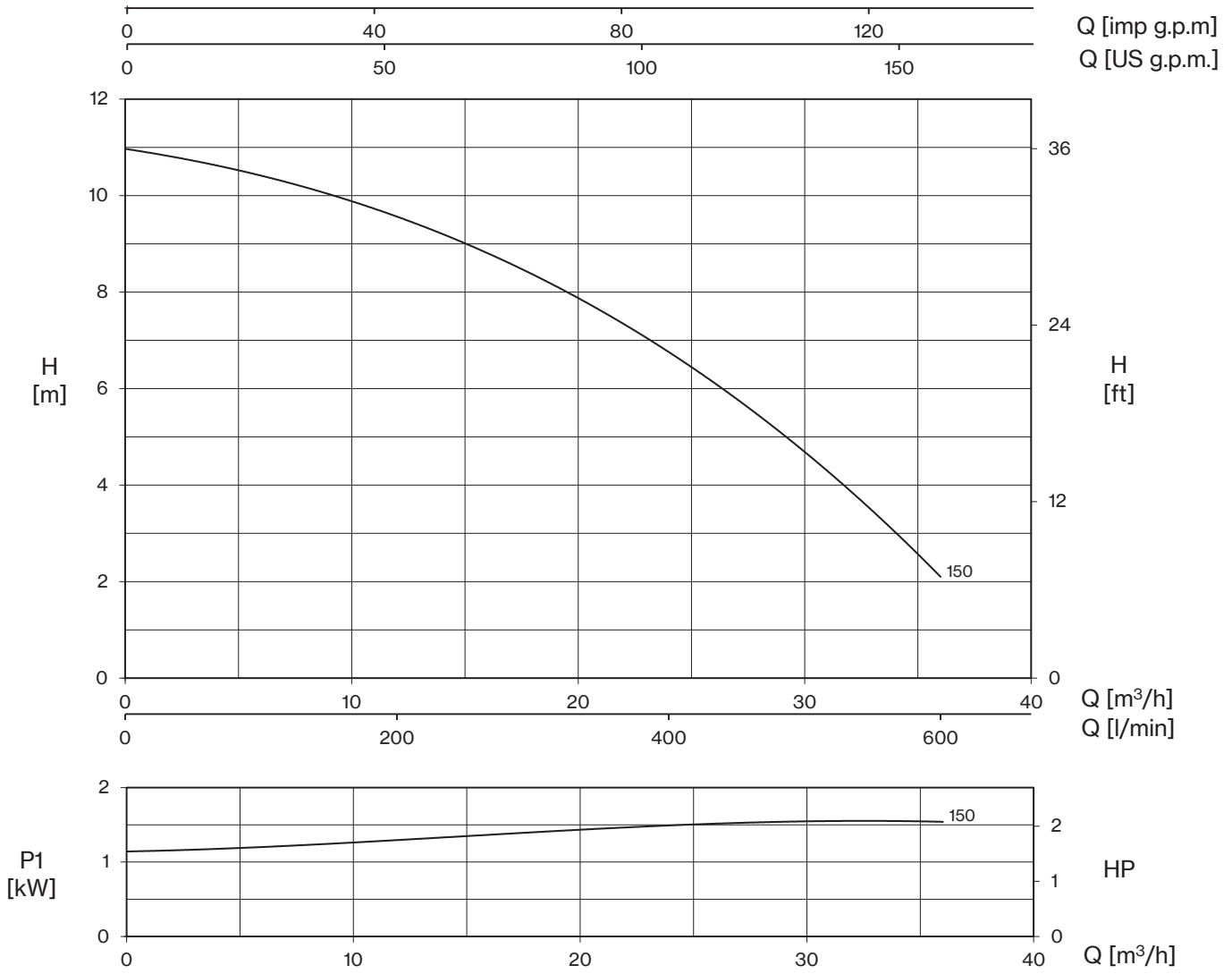
TYPE		W	AMPERE		Q (m³/h - l/min)									
1~	3~		1~	3~	0	3	6	9	12	15	18	21	24	
					0	50	100	150	200	250	300	350	400	
		1x230 V 50 Hz	3x400 V 50 Hz	H (m)										
DG 80 (G)	DGT 80	1050	4,7	2,2	8,3	7,4	6,4	5,6	4,8	3,7				
DG 80/2 (G)	DGT 80/2	1050	4,7	2,2	8,3	7,4	6,4	5,6	4,8	3,7				
DG 100 (G)	DGT 100	1350	6,2	2,8	10,4	9,4	8,7	8,1	7,4	6,6	5,7			
DG 100/2 (G)	DGT 100/2	1350	6,2	2,8	10,4	9,4	8,7	8,1	7,4	6,6	5,7			
DG 82 (G)	DGT 82	1000	4,5	2,1	6,6	6,0	5,3	4,4	3,6	2,8	2,0	1,3		
DG 102 (G)	DGT 102	1200	5,3	2,4	7,5	7,1	6,4	5,7	4,9	4,0	3,2	2,1	1,3	

E: maximum emptying level  
Mt: minimum liquid level for continuous duty



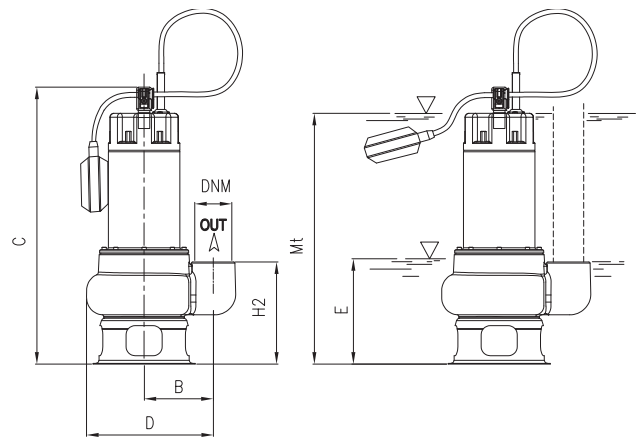
TYPE	DIMENSIONS (mm)										Kg
	B	C	D	E	H2	Mt	DNM	I	L	M	
DG 80 (G)	110	410	230	140	174	290	1"1/2G	250	183	448	13,5
DG 80/2 (G)	110	410	230	140	174	290	2"G	250	183	448	14
DG 100 (G)	110	410	230	140	174	290	1"1/2G	250	183	448	15,5
DG 100/2 (G)	110	410	230	140	174	290	2"G	250	183	448	15,5
DG 82 (G)	120	426	250	150	190	300	2"G	264	203	482	15
DG 102 (G)	120	426	250	150	190	300	2"G	264	203	482	16





TYPE		W	AMPERE		Q (m³/h - l/min)						
1~	3~		1~	3~	0	6	12	18	24	30	36
					0	100	200	300	400	500	600
			1x230 V 50 Hz	3x400 V 50 Hz	H (m)						
DG 150 (G)	DGT 150	1550	7,1	2,9	11,0	10,4	9,6	8,3	6,8	4,6	2,1

E: maximum emptying level  
Mt: minimum liquid level for continuous duty



TYPE	DIMENSIONS (mm)										Kg
	B	C	D	E	H2	Mt	DNM	I	L	M	
DG 150 (G)	142,5	461	247,5	185	170	390	2" G	200	260	470	19





Drainage pumps with set-back Vortex type impeller for pumping charged waters and liquids with suspended solids; ideal for civil and household applications. The single-phase version includes a built-in capacitor, a thermal protector and it can be equipped with a float switch.



## Construction features

**Pump body** stainless steel with openings 1" ½ and 2"

**Shell, motor cover, base support** stainless steel



**Impeller** stainless steel Vortex type

**Mechanical seal** double seal with oil barrier: silicon carbide on pump side, sealing ring on motor side

**Motor shaft** stainless steel AISI 430

**Free passage** Ø max 28 mm

**Max submergence** 5 m

**Liquid temperature** 0 - 40 °C

**Cable** H07 RN8F, 10 m

**G** float switch

## Motor

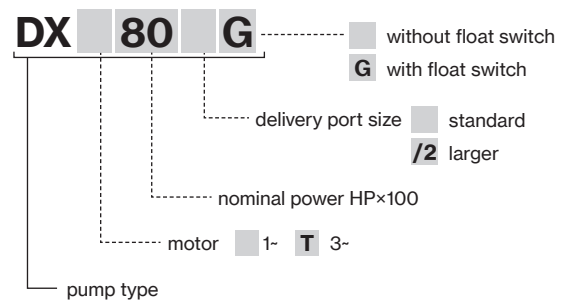
3- 400V - 50Hz

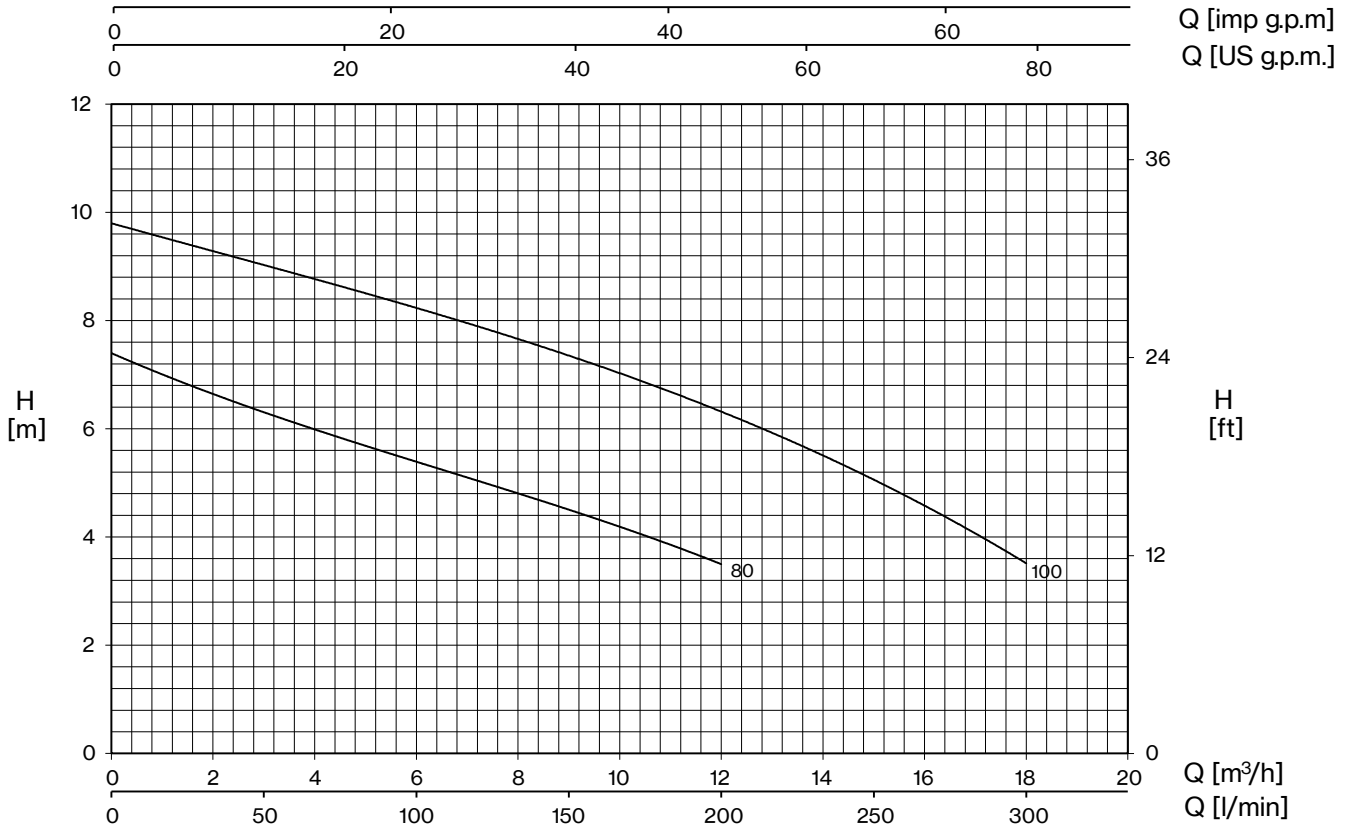
**2 Poles induction motor** 1- 230V - 50Hz  
(with thermal protection)

**Insulation class** F

**Protection degree** IPX8

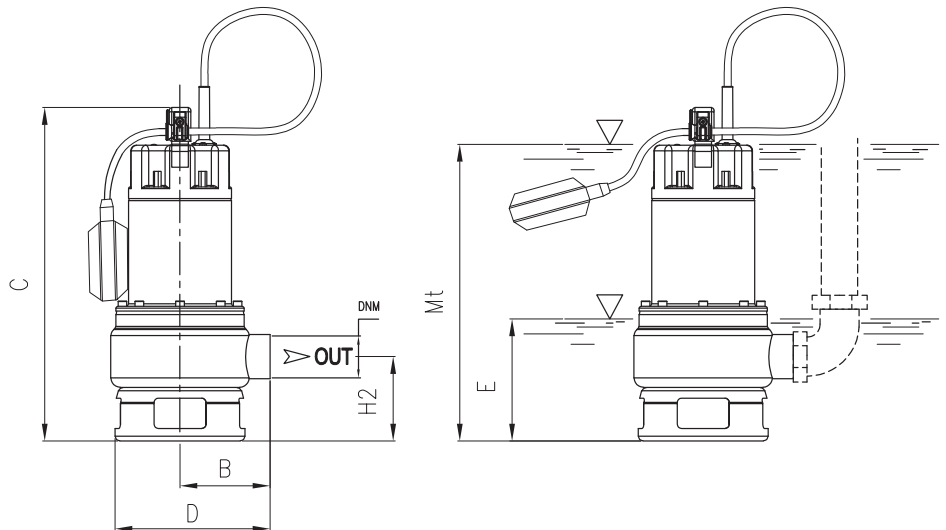
TYPE	TRUCK		CONTAINER	
	PALLET (cm)	N° pumps	PALLET (cm)	N° pumps
DX	80×120×145	48	80×120×190	76





TYPE		W	AMPERE		Q (m³/h - l/min)							
1~	3~		1~	3~	0	3	6	9	12	15	18	
					0	50	100	150	200	250	300	
				1x230 V 50 Hz		3x400 V 50 Hz		H (m)				
DX 80 (G)	DXT 80	1050	4,7	2,2	7,4	6,3	5,4	4,5	3,5			
DX 80/2 (G)	DXT 80/2	1050	4,7	2,2	7,4	6,3	5,4	4,5	3,5			
DX 100 (G)	DXT 100	1350	6,2	2,8	9,8	9,0	8,3	7,3	6,3	5,1	3,5	
DX 100/2 (G)	DXT 100/2	1350	6,2	2,8	9,8	9,0	8,3	7,3	6,3	5,1	3,5	

E: maximum emptying level  
Mt: minimum liquid level for continuous duty



TYPE	DIMENSIONS (mm)										Kg
	B	C	D	E	H2	Mt	DNM	I	L	M	
DX 80 (G)	104	400	183	125	112	280	1" ½ G	250	183	448	10,5
DX 80/2 (G)	114	400	183	125	112	280	2" G	250	183	448	10,5
DX 100 (G)	104	400	183	125	112	280	1" ½ G	250	183	448	12
DX 100/2 (G)	114	400	183	125	112	280	2" G	250	183	448	12






Drainage pumps for charged liquids with set-back Vortex type impeller for civil and industrial applications; specifically designed for very heavy use; available in the mobile or permanent versions with coupling feet.



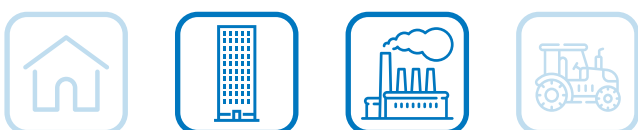
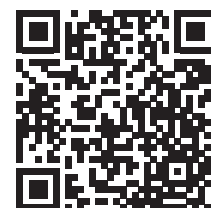
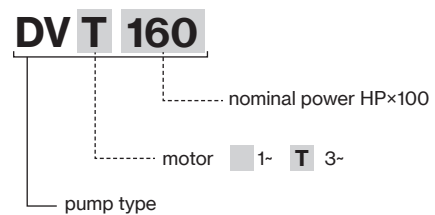
## Construction features

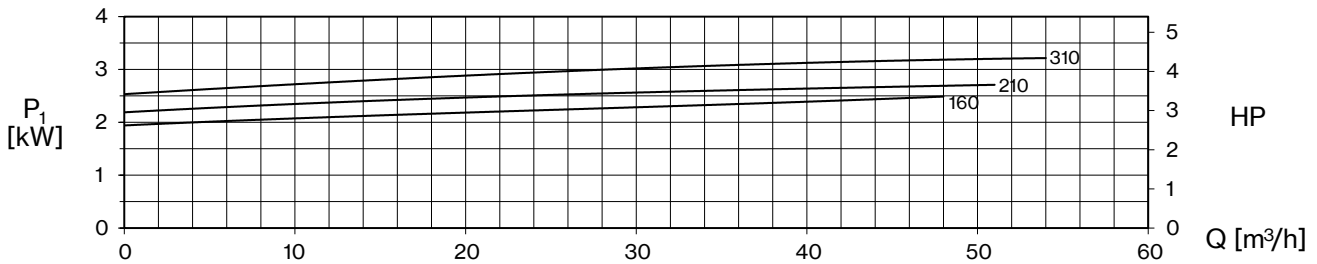
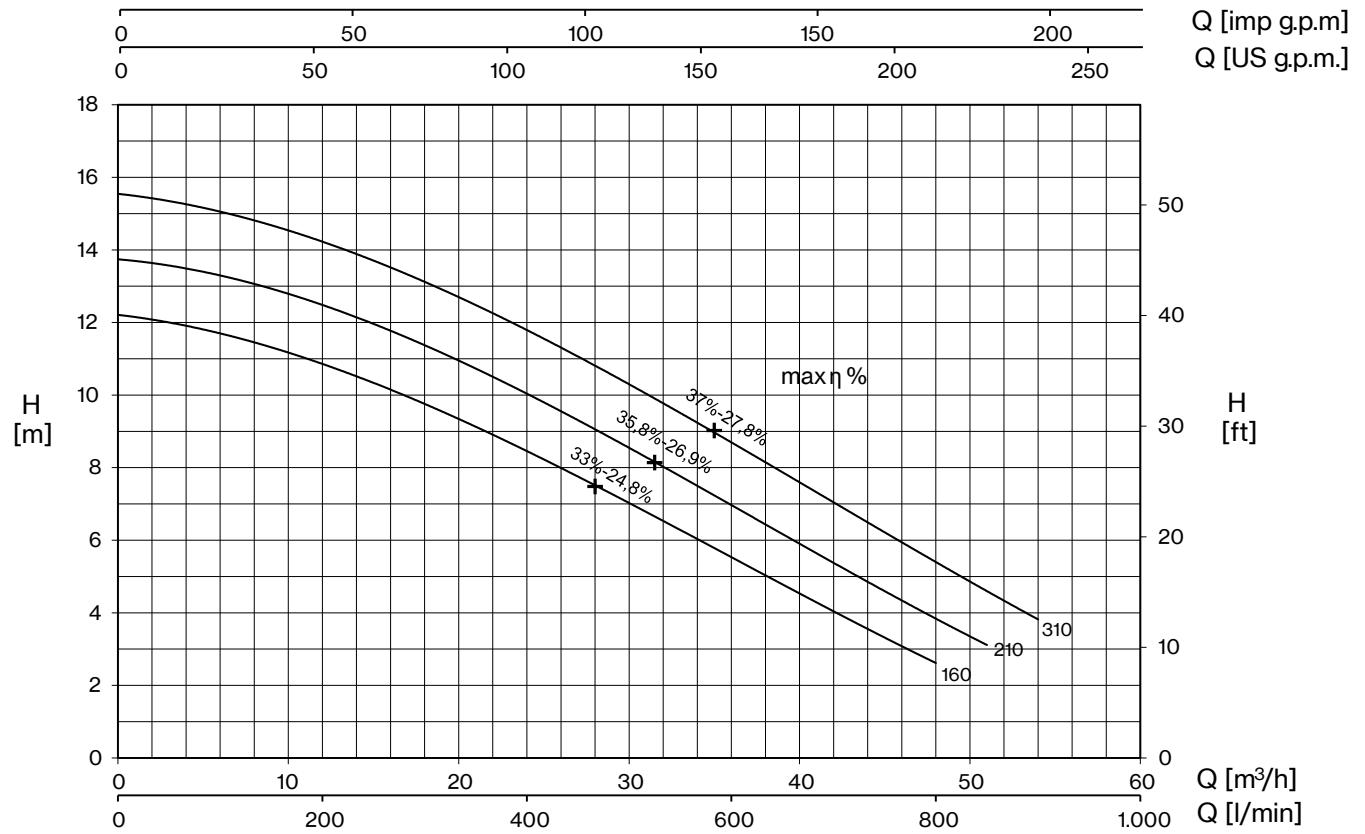
<b>Pump body</b>	cast iron
 <b>Impeller</b>	cast iron
<b>Mechanical seal</b>	double seal with oil barrier: silicon carbide on pump side, ceramic-graphite on motor side
<b>Motor shaft</b>	stainless steel AISI 304
<b>Free passage</b>	Ø max 50 mm (160÷310; 750-1000) Ø max 45 mm (400-550)
<b>Max submergence</b>	20 m
<b>Liquid temperature</b>	0 - 40 °C
<b>Cable</b>	H07 RN8F, 10 m
<b>Bolts</b>	A2 stainless steel
<b>Foot support</b>	galvanized iron
<b>Gaskets</b>	NBR rubber

## Motor

<b>2 Poles induction motor</b>	3~ 230V - 50Hz 3~ 400V - 50Hz 3~ 230/400V - 50Hz 3~ 400/690V - 50Hz
	1~ 230V - 50Hz required run capacitor (35µF for 1,5HP model, 50µF for 2HP model)
<b>Insulation class</b>	F
<b>Protection degree</b>	IPX8

TYPE	LOTS			
	TRUCK		CONTAINER	
	PALLET (cm)	N° pumps	PALLET (cm)	N° pumps
DV 160÷310	85×110×145	18	85×110×190	27
DVT 400-550	85×110×170	12	85×110×170	12
DVT 750-1000	100×120×190	12	100×120×190	12





TYPE		AMPERE				
1~	3~	230 V 50 Hz	3x230 V 50 Hz (*)	3x400 V 50 Hz	230/400 V 50 Hz $\lambda / \Delta$ (*)	400/690 V 50 Hz $\lambda / \Delta$
DV 160	DVT 160	11,3	7,1	4,1	-	-
DV 210	DVT 210	12,6	8,7	5	-	-
-	DVT 310	-	9,9	5,7	-	-

+ max  $\eta$  %

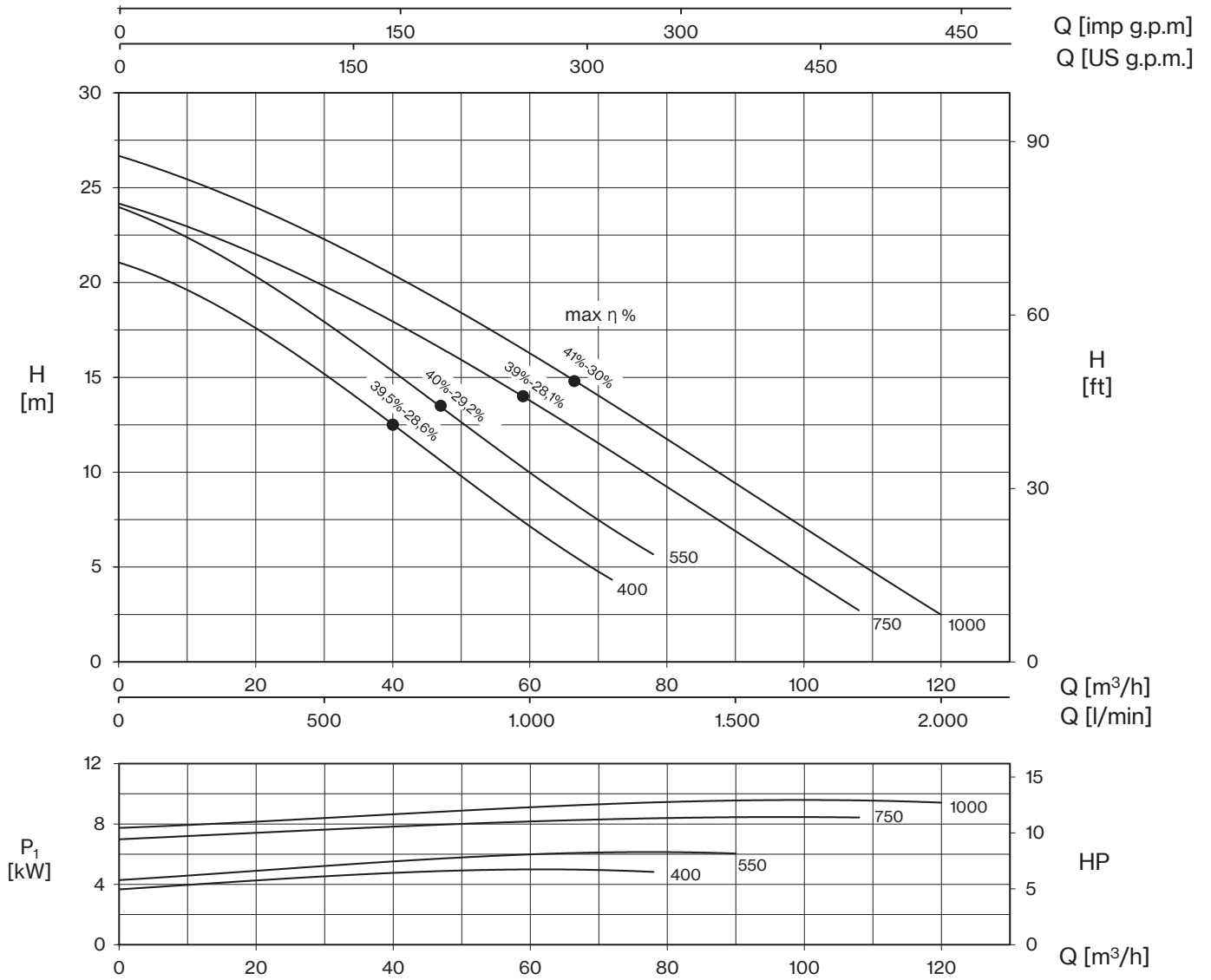
max hydraulic efficiency and respective total efficiency

(\*) no standard execution

TYPE		P <sub>2</sub>		P <sub>1</sub> (kW)		Q (m³/h - l/min)							
1~	3~	HP	kW	1~	3~	0	12	24	36	42	48	51	54
						0	200	400	600	700	800	850	900
						H (m)							
DV 160	DVT 160	1,5	1,1	2,5	2,3	12,2	10,9	8,4	5,6	4,1	2,6		
DV 210	DVT 210	2	1,5	2,8	2,7	13,7	12,6	9,9	7,0	5,4	3,8	3,1	
-	DVT 310	3	2,2	-	3,3	15,5	14,4	11,6	8,8	7,1	5,4	4,5	3,8



# DV



TYPE	AMPERE			
	3x230 V 50 Hz (*)	3x400 V 50 Hz	230/400 V 50 Hz λ / Δ (*)	400/690 V 50 Hz λ / Δ
DVT 400	14,1	8,1	-	-
DVT 550	18,1	10,4	-	-
DVT 750	-	14,4	25	14,4
DVT 1000	-	16,4	28,5	16,4

**+ max η %**

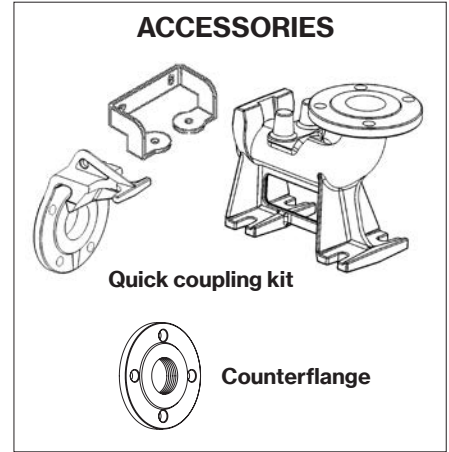
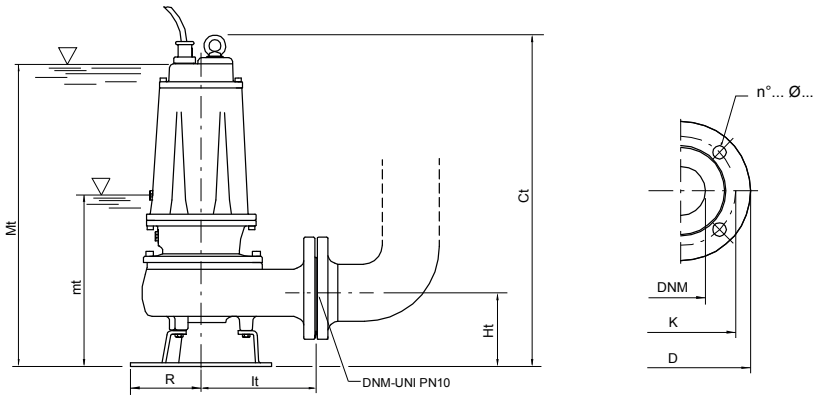
max hydraulic efficiency and respective total efficiency

(\*) no standard execution

TYPE	P2		P1 (kW)	Q (m³/h - l/min)																
				0	12	24	36	42	48	51	54	60	72	78	84	90	96	108	114	120
	HP	kW	3~	0	200	400	600	700	800	850	900	1000	1200	1300	1400	1500	1600	1800	1900	2000
DVT 400	4	3	4,9	21,0	19,4	16,6	13,5	12,0	10,4	9,6	8,8	7,2	4,3	2,8						
DVT 550	5,5	4	6,1	23,9	22,2	19,3	16,3	14,8	13,2	12,4	11,6	10	7,1	5,6	4,1	2,6				
DVT 750	7,5	5,5	8,5	24,2	22,7	20,7	18,7	17,6	16,4	15,8	15,2	13,9	11,1	9,7	8,2	6,8	5,4	2,8		
DVT 1000	10	7,5	9,6	26,7	25,2	23,2	21,2	20,0	18,8	18,2	17,6	16,3	13,7	12,3	10,8	9,4	8,0	5,1	3,8	2,6

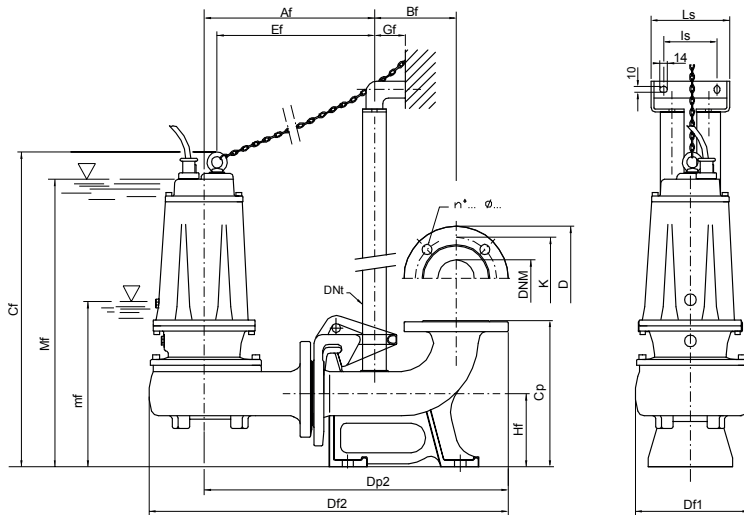






mt: minimum working level  
Mt: minimum submergence level for continuous duty

TYPE	DIMENSIONS (mm)								Kg
	Ct	Ht	R	It	mt	Mt	DNM		
DVT 160	551	123	117	191	243	513	65	39,5	
DV 160-DVT 210	551	123	117	191	243	513	65	40,5	
DV 210-DVT 310	551	123	117	191	243	513	65	41,5	
DVT 400	645	148	160	210	285	600	80	68	
DVT 550	645	148	160	210	285	600	80	71	
DVT 750	725	178	180	232	358	670	80	90	
DVT 1000	725	178	180	232	358	670	80	92,5	



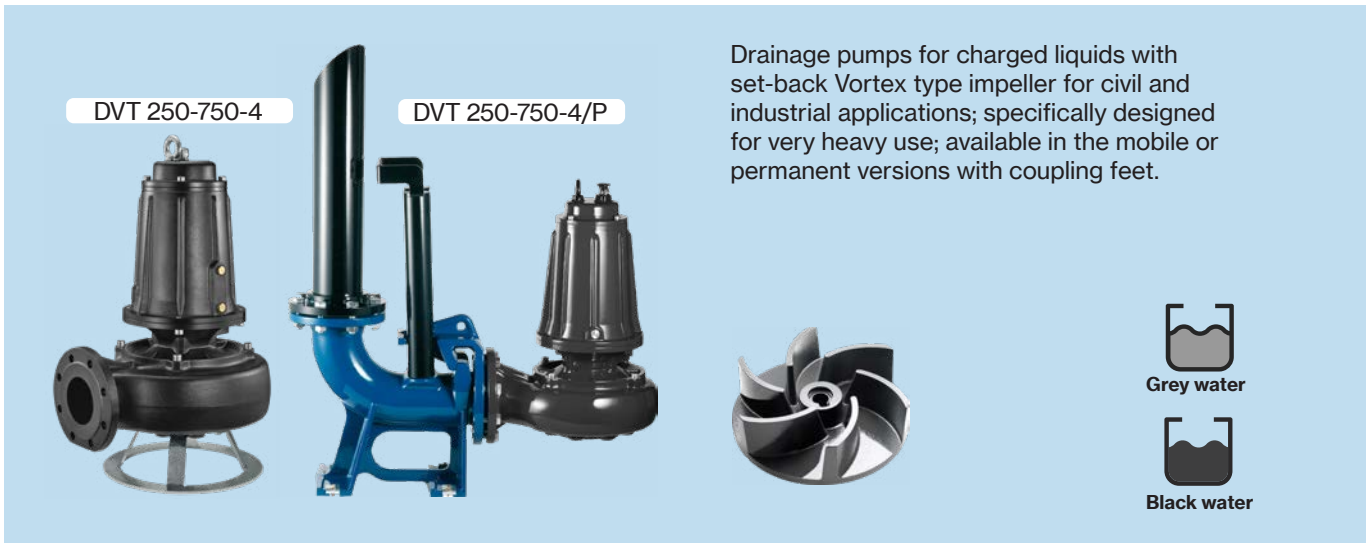
mf: minimum working level  
Mf: minimum submergence level for continuous duty

Flange UNI PN 10 (mm)			
DNM	K	D	n°... Ø...
65	145	185	4... 18...
80	160	200	8... 18...

TYPE	DIMENSIONS (mm)																		
	Af	Bf	Cf	Cp	Df1	Df2	Dp2	DNt	Ef	Gf	Hf	I1	I2	ls	Ls	mf	Mf	DNM	
DVT 160 /P	303	145	559	260	200	639	541	1" 1/4	280	55	130	200	100	95	140	251	521	65	
DV 160-DVT 210/P	303	145	559	260	200	639	541	1" 1/4	280	55	130	200	100	95	140	251	521	65	
DV 210-DVT 310/P	303	145	559	260	200	639	541	1" 1/4	280	55	130	200	100	95	140	251	521	65	
DVT 400/P	350	165	690	340	220	720	615	2"	319	85	190	250	140	130	180	327	642	80	
DVT 550/P	350	165	690	340	220	720	615	2"	319	85	190	250	140	130	180	327	642	80	
DVT 750/P	370	165	745	340	235	750	638	2"	338	85	190	250	140	130	180	380	690	80	
DVT 1000/P	370	165	745	340	235	750	638	2"	338	85	190	250	140	130	180	380	690	80	


TYPE	PROTECTION		1 PUMP CONTROL PANEL			2 PUMPS CONTROL PANEL		
	1 x 230 V	3 x 400 V	1 x 230 V	3 x 400 V	400 / 690 V	1 x 230 V	3 x 400 V	400 / 690 V
DV 160	PMC 15/35-15	PT 20-30-40/4.3-6.8	EQSM + 35µF	EQSMT 10		EQ2SM + 35µF	EQ2SMT 10	
DV 210	PMC 20/50-18	PT 20-30-40/4.3-6.8	EQSM + 50µF	EQSMT 10		EQ2SM + 50µF	EQ2SMT 10	
DVT 310		PT 40-50/5.7-9.1		EQSMT 10			EQ2SMT 10	
DVT 400		PT 55-75/8.6-13.5		EQSMT 10			EQ2SMT 10	
DVT 550		PT 55-75/8.6-13.5		EQSMT 10			EQ2SMT 10	
DVT 750		PT 100/12.5-16.5		EQSMT 10	QST 7		EQ2SMT 10	Q2ST 7
DVT 1000		PT 125-150/16-21		EQSMT 10	QST 10		EQ2SMT 10	Q2ST 10





Drainage pumps for charged liquids with set-back Vortex type impeller for civil and industrial applications; specifically designed for very heavy use; available in the mobile or permanent versions with coupling feet.

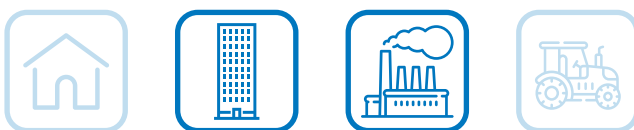
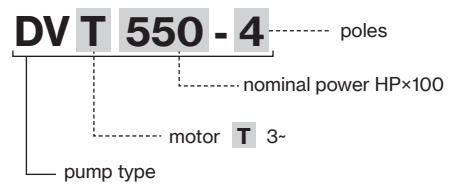
## Construction features

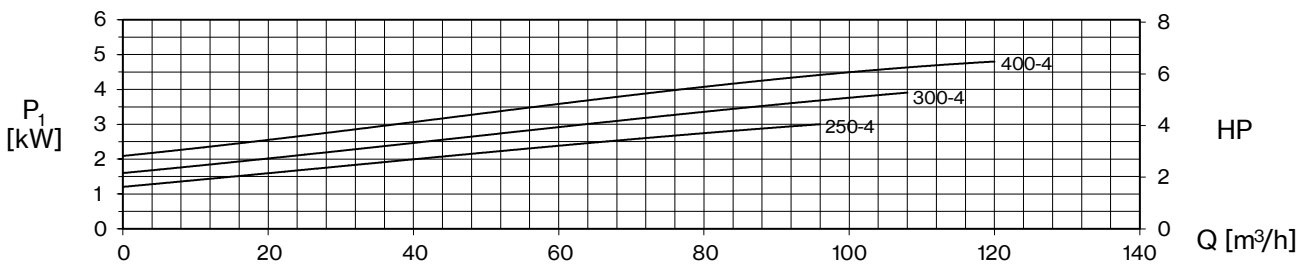
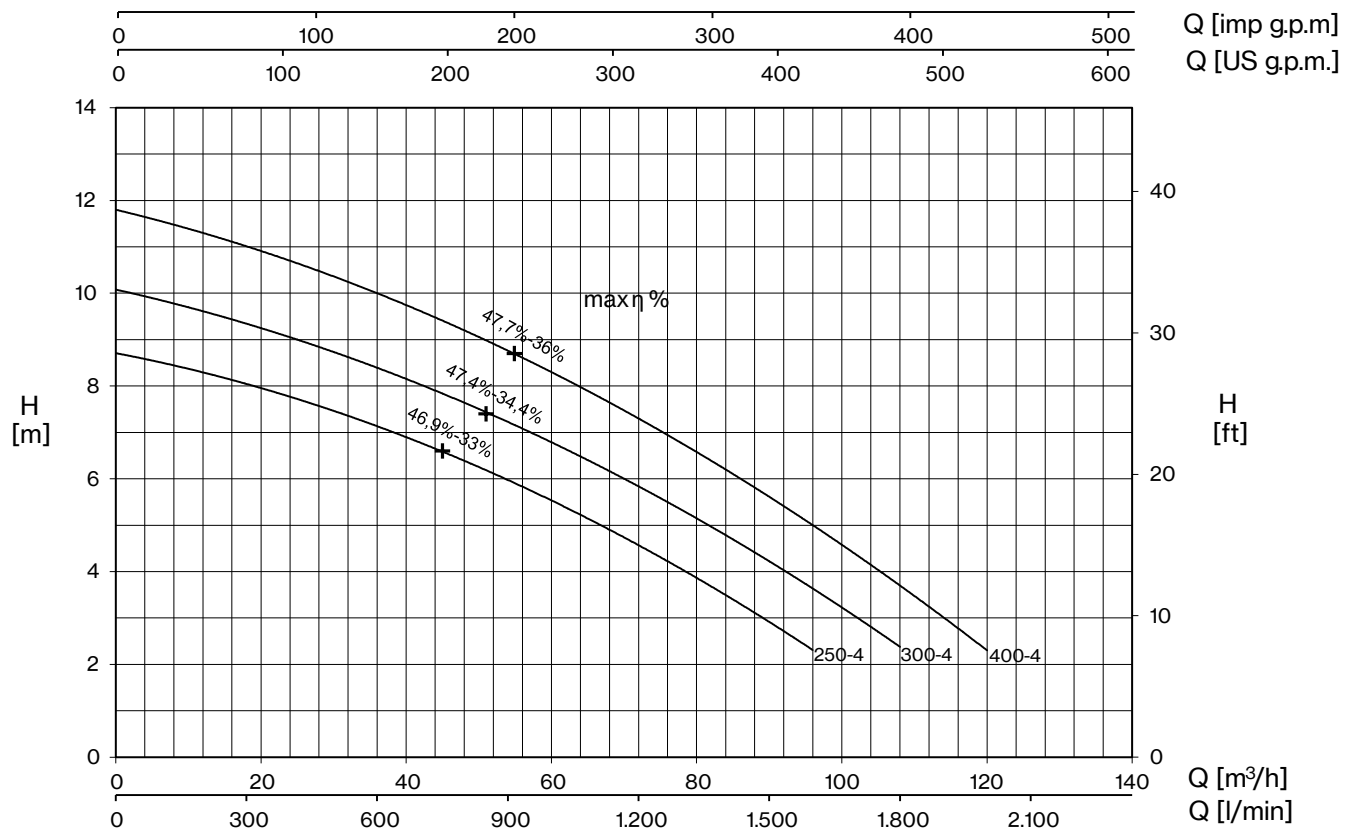
<b>Pump body</b>	cast iron
 <b>Impeller</b>	cast iron
<b>Mechanical seal</b>	double seal with oil barrier: silicon carbide on pump side, ceramic-graphite on motor side
<b>Motor shaft</b>	stainless steel AISI 304
<b>Free passage</b>	Ø max 50 mm
<b>Max submergence</b>	20 m
<b>Liquid temperature</b>	0 - 40 °C
<b>Cable</b>	H07 RN8F, 10 m
<b>Bolts</b>	A2 stainless steel
<b>Foot support</b>	galvanized iron
<b>Gaskets</b>	NBR rubber

## Motor

<b>4 Poles induction motor</b>	3~ 230V - 50Hz 3~ 400V - 50Hz 3~ 230/400V - 50Hz 3~ 400/690V - 50Hz
<b>Insulation class</b>	F
<b>Protection degree</b>	IPX8

TYPE	LOTS			
	TRUCK		CONTAINER	
	PALLET (cm)	N° pumps	PALLET (cm)	N° pumps
DVT 250-4÷750-4	85×110×190	8	100×120×190	12





TYPE	AMPERE			
	3x230 V 50 Hz (*)	3x400 V 50 Hz	230/400 V 50 Hz λ / Δ (*)	400/690 V 50 Hz λ / Δ
DVT 250-4	10	5,8	-	-
DVT 300-4	11,8	6,8	-	-
DVT 400-4	15,1	8,7	-	-

+ max η %

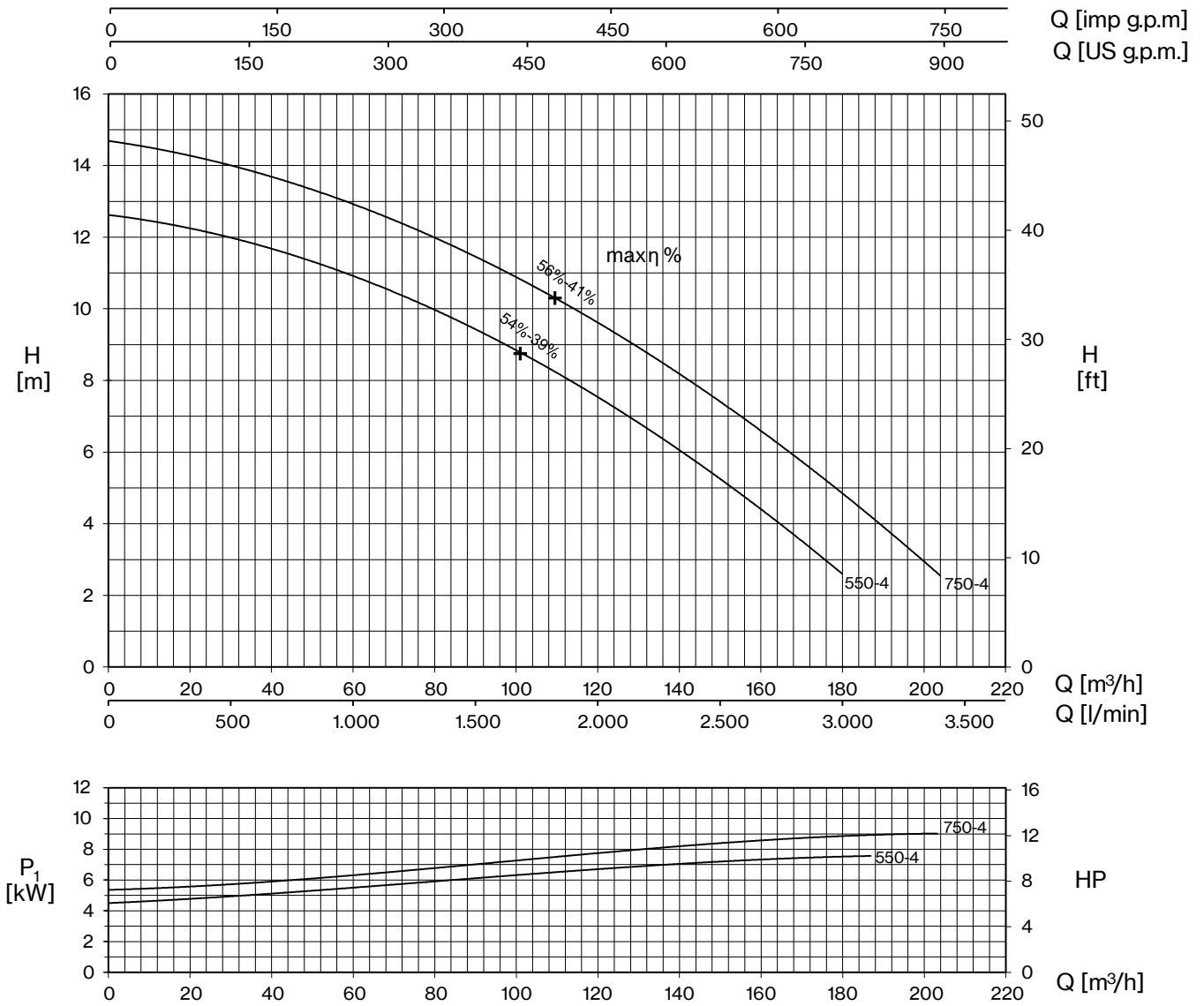
max hydraulic efficiency and respective total efficiency

(\*) no standard execution

TYPE	P2		P1 (kW)	Q (m³/h - l/min)											
				0	12	24	36	48	60	72	84	96	108	120	
	HP	kW	3~	0	200	400	600	800	1000	1200	1400	1600	1800	2000	
DVT 250-4	2,5	1,8	3,3	8,7	8,3	7,8	7,1	6,4	5,5	4,6	3,5	2,3			
DVT 300-4	3	2,2	4,1	10,1	9,6	9,0	8,4	7,7	6,8	5,8	4,8	3,6	2,4		
DVT 400-4	4	3	4,9	11,8	11,3	10,7	10,0	9,2	8,3	7,3	6,2	5,0	3,7	2,3	



# DV4



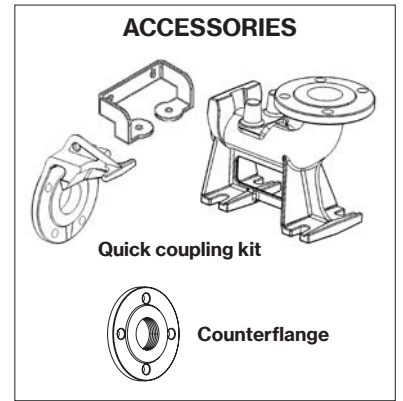
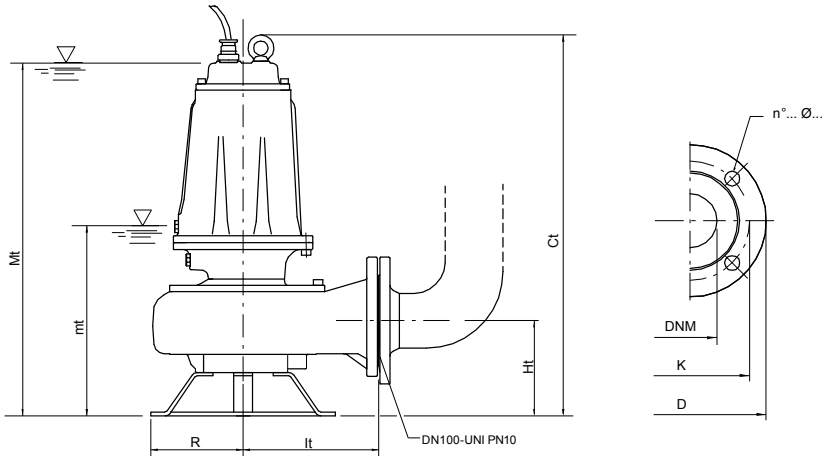
TYPE	AMPERE			
	3x230 V 50 Hz (*)	3x400 V 50 Hz	230/400 V 50 Hz λ / Δ (*)	400/690 V 50 Hz λ / Δ
DVT 550-4	-	12,9	22,3	12,9
DVT 750-4	-	15,4	26,6	15,4

(\*) no standard execution

**+ max η %**  
max hydraulic efficiency and respective total efficiency

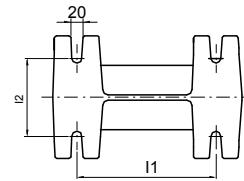
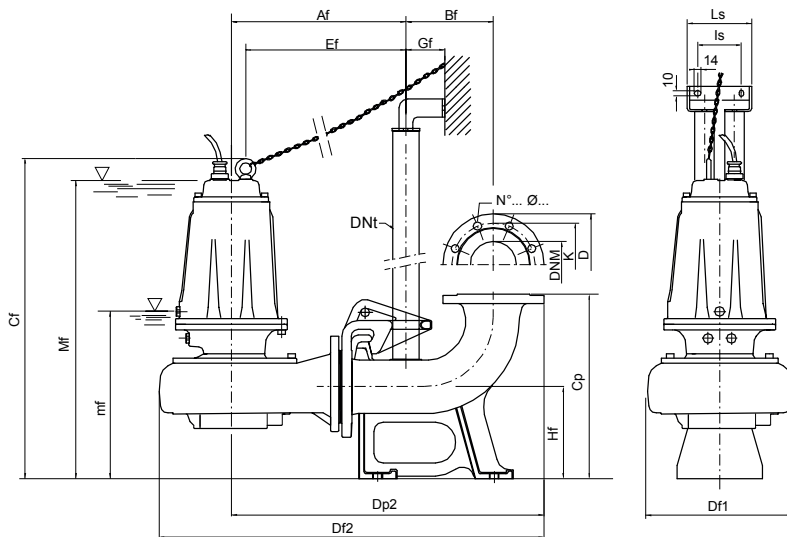
TYPE	P <sub>2</sub>		P <sub>1</sub> (kW)	Q (m³/h - l/min)											
				0	24	48	72	96	120	144	168	180	192	204	
	HP	kW	3~	0	400	800	1200	1600	2000	2400	2800	3000	3200	3400	
DVT 550-4	5,5	4	7,5	12,6	12,2	11,4	10,3	9,1	7,6	5,7	3,7	2,6			
DVT 750-4	7,5	5,5	9	14,7	14,2	13,3	12,4	11,2	9,6	7,9	5,9	4,8	3,7	2,6	





mt: minimum working level  
 Mt: minimum submersion level for continuous duty

TYPE	DIMENSIONS (mm)							Kg
	Ct	Ht	R	It	mt	Mt	DNM	
DVT 250-4	660	165	160	235	300	614	100	69,5
DVT 300-4	660	165	160	235	300	614	100	71
DVT 400-4	660	165	160	235	300	614	100	74,5
DVT 550-4	715	195	180	276	385	695	100	101,5
DVT 750-4	715	195	180	276	385	695	100	106



mf: minimum working level  
 Mf: minimum submersion level for continuous duty

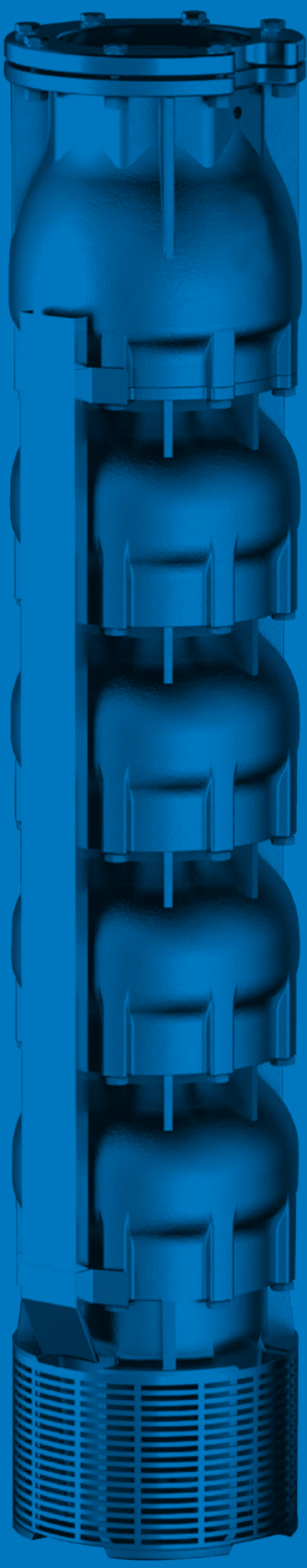
Flange UNI PN 10 (mm)			
DNM	K	D	n°... Ø...
100	180	220	8... 18...

TYPE	DIMENSIONS (mm)																	
	Af	Bf	Cf	Cp	Df1	Df2	Dp2	Dnt	Ef	Gf	Hf	l1	l2	ls	Ls	mf	Mf	DNM
DVT 250-4/P	378	190	695	400	317	835	678	2"	347	85	200	250	140	130	180	335	650	100
DVT 300-4/P	378	190	695	400	317	835	678	2"	347	85	200	250	140	130	180	335	650	100
DVT 400-4/P	378	190	695	400	317	835	678	2"	347	85	200	250	140	130	180	335	650	100
DVT 550-4/P	419	190	755	400	371	900	719	2"	384	85	200	250	140	130	180	390	700	100
DVT 750-4/P	419	190	755	400	371	900	719	2"	384	85	200	250	140	130	180	390	700	100

TYPE	PROTECTION	1 PUMP CONTROL PANEL		2 PUMPS CONTROL PANEL	
	3 x 400 V	3 x 400 V	400 / 690 V	3 x 400 V	400 / 690 V
DVT 250-4	PT 40-50/5.7-9.1	EQSMT 10		EQ2SMT 10	
DVT 300-4	PT 40-50/5.7-9.1	EQSMT 10		EQ2SMT 10	
DVT 400-4	PT 55-75/8.6-13.5	EQSMT 10		EQ2SMT 10	
DVT 550-4	PT 55-75/8.6-13.5	EQSMT 10		EQ2SMT 10	
DVT 750-4	PT 100/12.5-16.5	EQSMT 10	QST 10	EQ2SMT 10	Q2ST 10







# DEEPWELL BOREHOLE

# DEEPWELL BOREHOLE PUMPS



- **5PES, 4S/A, 4L, 6L lines:** 4", 5" and 6" electric well pumps with polymer hydraulics and pressed steel body. Coupling to the motor according to Nema flange.
- **6- 8- 10LMG lines:** 6", 8" and 10" electric well pumps with cast iron hydraulics. Non-return valve in the delivery port and motor coupling according to Nema flange.
- **LM, LR and E14 lines:** 6", 8", 10", 12" and 14" electric well pumps manufactured with a micro-casting process that allows to obtain very smooth hydraulic surfaces and therefore high hydraulic efficiency values, all combined with a high mechanical resistance thanks to the cast steel structure. The range is available in AISI304, AISI316 and Duplex steel types with flow rates up to 860m<sup>3</sup>/h and 800 m maximum head. The check valve is incorporated in the delivery port, while coupling with the motor is ensured by NEMA flanging.

## Applications:

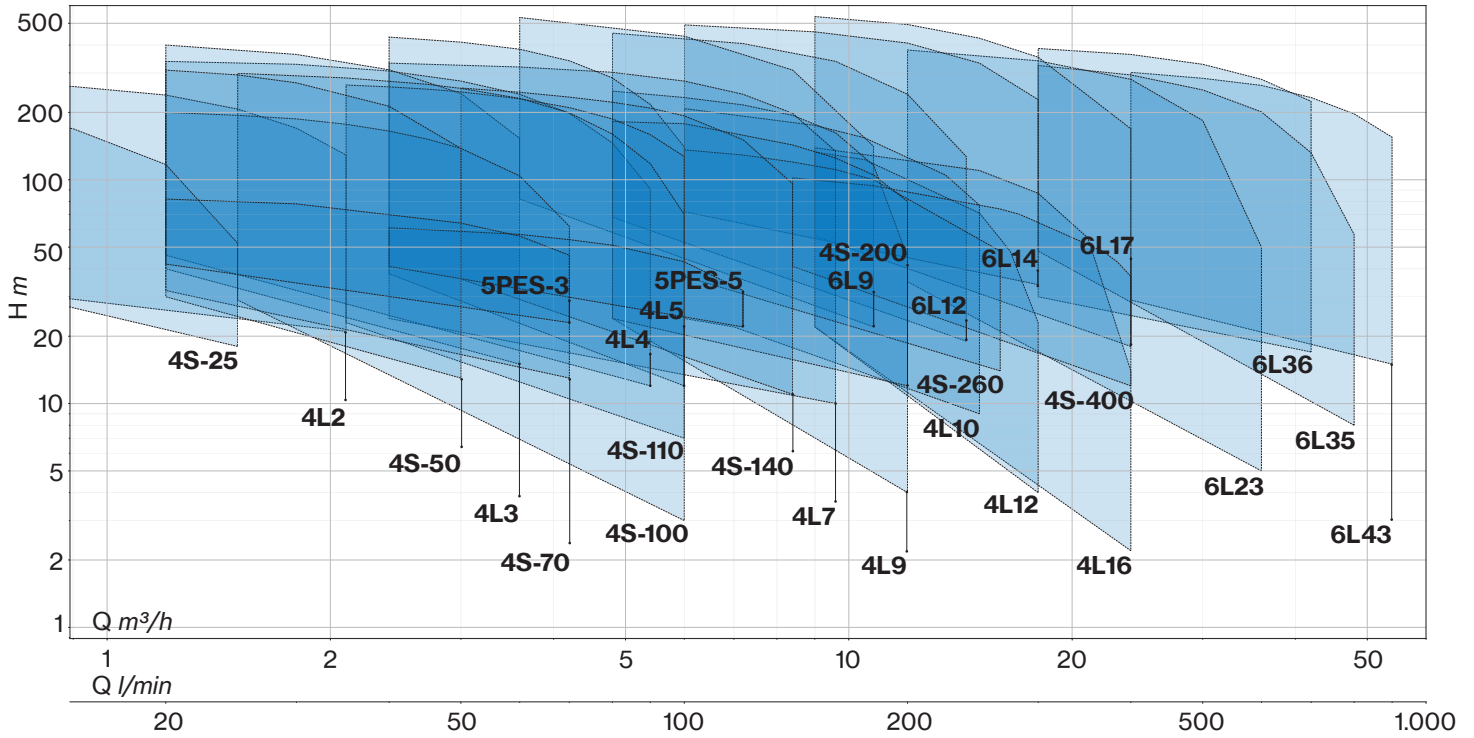
- Water supply for civil and industrial uses
- Distribution in aqueducts
- Agricultural irrigation
- Installation on wells and groundwater withdrawal
- Reverse osmosis plants



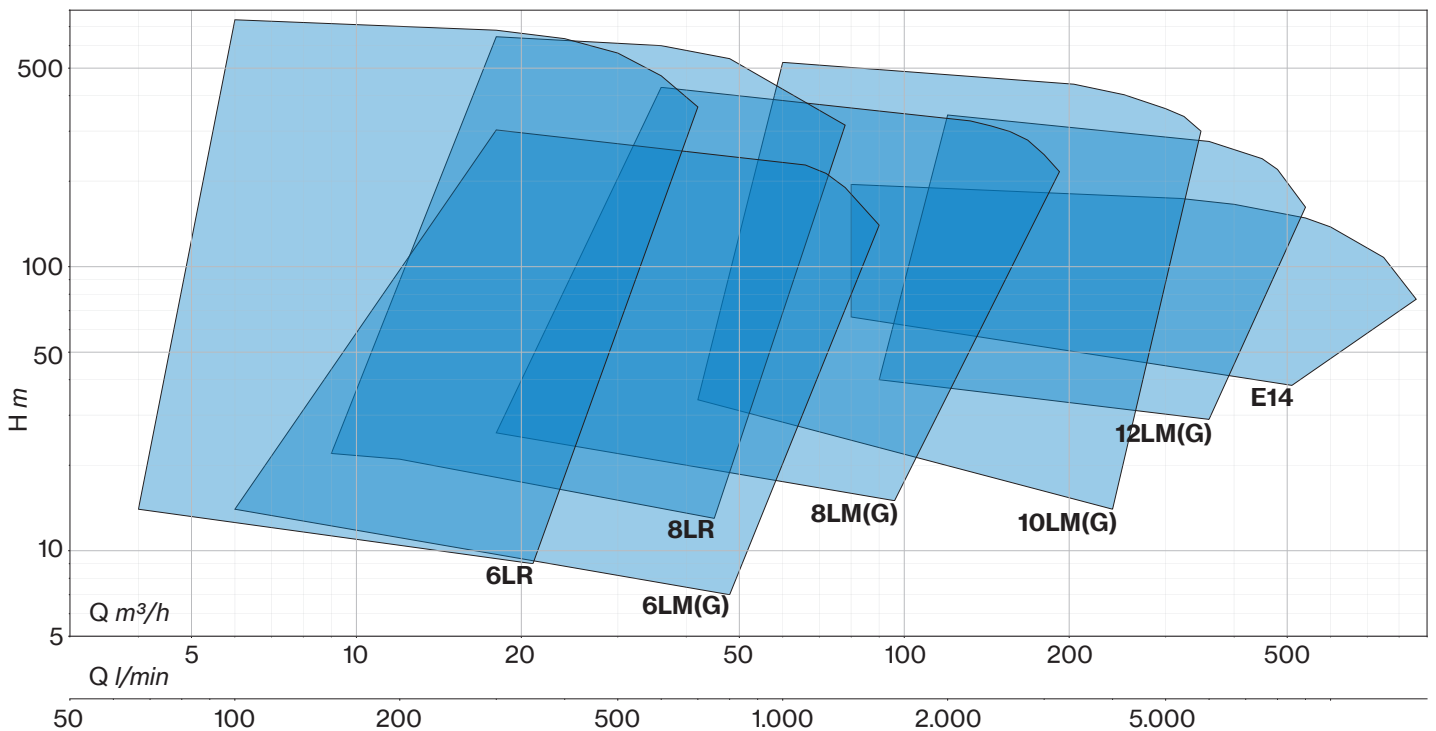


# DEEPWELL BOREHOLE PUMPS

## Low-Medium flow



## High flow



# 5PES

## Deepwell Borehole

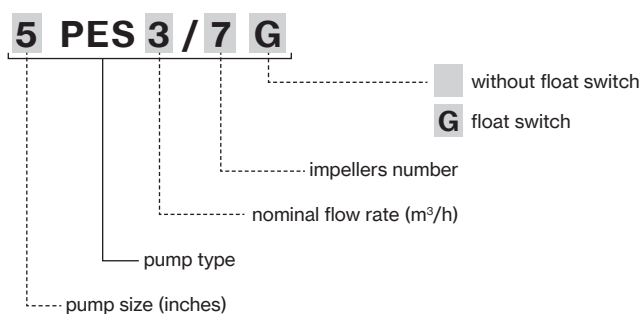
5" submersible multistage centrifugal pumps. All components in contact with fluid are made of AISI 304 stainless steel. Particularly suitable for water distribution rainwater collection, irrigation, fountains, wash down unit. Single phase versions have an internal capacitor and thermal motor protector.

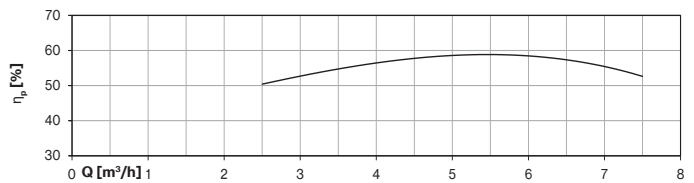
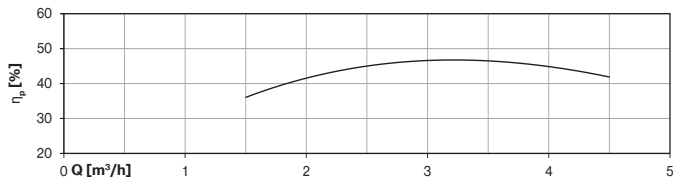
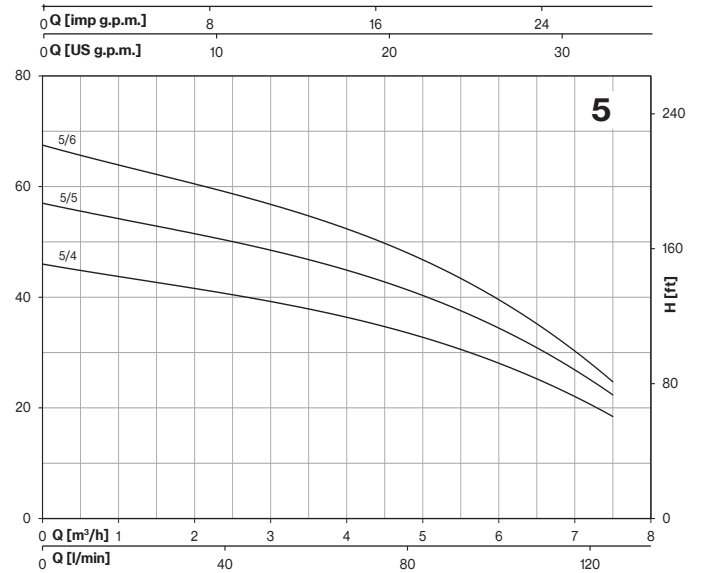
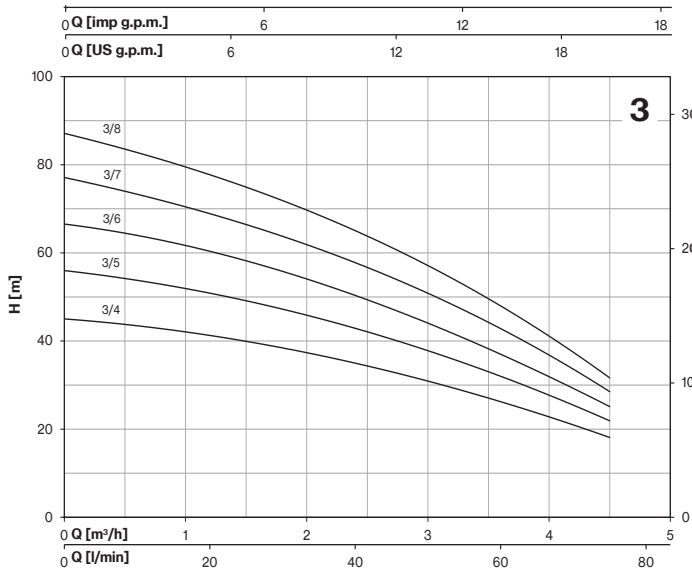
### Construction features

<b>Delivery outlet</b>	1" ¼ G
<b>External jacket, impellers and diffusers</b>	stainless steel AISI 304
<b>Passage of solids</b>	2 mm
<b>Depth of immersion</b>	max 20 m
<b>Liquid temperature</b>	+5 ÷ +40 °C
<b>Quantity of sand in the water</b>	max 50 g/m <sup>3</sup>
<b>Cable</b>	H07 RNF, 20 m
<b>Number of startups/hr</b>	max 20

### Motor

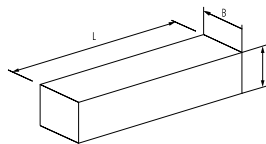
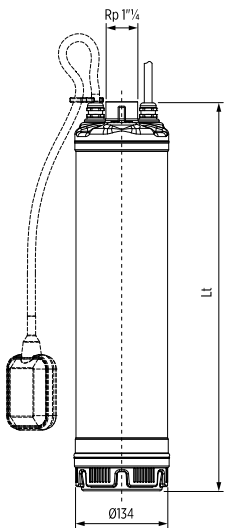
	3~ 380/415V - 50Hz
<b>Asynchronous 2 poles</b>	1~ 220/240V - 50Hz (with thermal protection)
<b>Insulation class</b>	F
<b>Protection degree</b>	IP68





TYPE	MOTOR		INTERNAL CAPACITOR		RATED CURRENT			Q (m³/h - l/min)							
					1~	3~	3~	0	1,5	2	2,5	3	3,5	4	4,5
					220/240 V 50 Hz	220/240 V 50 Hz	380/415 V 50 Hz	H (m)							
5PES 3/4	0,75	0,55	16	450	4,0	3,5	2,0	45,0	40,0	37,5	34,0	31,0	27,0	23,0	18,0
5PES 3/5	1	0,75	20	450	4,7	3,7	2,1	56	49,0	46,0	42,0	38,0	33,0	27,5	22,0
5PES 3/6	1	0,75	20	450	5,2	4,0	2,3	66,5	58,5	54,0	49,0	44,0	38,5	32,0	25,0
5PES 3/7	1,2	0,9	30	450	6,7	4,4	2,5	77,0	67,0	62,0	56,0	50,0	45,0	37,5	28,0
5PES 3/8	1,5	1,1	30	450	7,2	4,7	2,7	87,0	75,5	70,0	63,0	56,0	50,5	42,0	31,0

TYPE	MOTOR		INTERNAL CAPACITOR		RATED CURRENT			Q (m³/h - l/min)										
					1~	3~	3~	0	2,5	3	3,5	4	4,5	5	5,5	6	7	7,5
					220/240 V 50 Hz	380/415 V 50 Hz	380/415 V 50 Hz	H (m)										
5PES 5/4	1	0,75	20	450	5,0	3,8	2,2	46,0	40,5	39,0	38,0	36,5	34,5	33,0	30,5	28,0	22,0	18,5
5PES 5/5	1,2	0,9	30	450	6,6	4,4	2,5	57,0	50,0	48,0	47,5	45,5	42,0	40,0	38,0	34,0	27,5	22,0
5PES 5/6	1,5	1,1	30	450	7,4	4,7	2,7	67,5	58,5	56,5	55,5	53,0	49,0	46,0	44,0	39,0	31,5	24,0



TYPE	DIMENSIONS (mm)				Kg	
	Lt	L	B	H	1~	3~
5PES 3/4	470	720	230	175	12,7	14
5PES 3/5	544	720	230	175	14,3	14,5
5PES 3/6	568	720	230	175	14,8	15
5PES 3/7	592	720	230	175	17	15,5
5PES 3/8	616	720	230	175	17,1	16
5PES 5/4	470	720	230	175	13,5	14
5PES 5/5	544	720	230	175	15,7	14,5
5PES 5/6	568	720	230	175	16,2	15



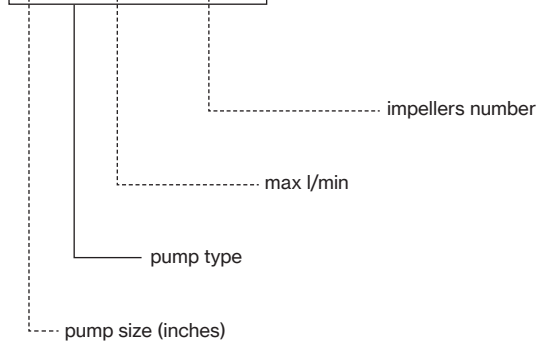
Submersible multistage centrifugal pumps for 4" wells with sand-resistant floating impellers. Check valve built into the delivery outlet. Pump flange for coupling with motors are made according to NEMA standards. Most common applications are civil and agricultural.

### Construction features

<b>Delivery outlet and bracket</b>	stainless steel AISI 304
<b>External jacket</b>	stainless steel
<b>Impellers and diffusers</b>	glass filled polycarbonate
<b>Upper bushings</b>	NBR rubber
<b>Shaft</b>	stainless steel
<b>Quantity of sand in the water</b>	max 300 g/m <sup>3</sup>
<b>Max liquid temperature</b>	35° C



**4 S 400 - 20 A**



TYPE	MOTOR		Q (m³/h - l/min)						DNM	Lenght	Weight
			0	0,3	0,6	0,9	1,2	1,5			
	0	5	10	15	20	25					
	H (m)						mm	Kg			
4S 25/10A	0,5	0,37	67	63	55	46	33	18	1" ¼	348	3,5
4S 25/13A	0,5	0,37	86	78	70	56	42	23		402	4,0
4S 25/19A	0,75	0,55	126	118	105	86	60	30		507	5,2
4S 25/26A	1	0,75	173	160	141	117	81	39		659	6,8
4S 25/38A	1,5	1,1	253	234	208	169	117	52		868	8,8

TYPE	MOTOR		Q (m³/h - l/min)						DNM	Lenght	Weight	
			0	1,5	1,8	2,1	2,4	2,7				3
	0	25	30	35	40	45	50					
	H (m)						mm	Kg				
4S 50/5A	0,5	0,37	33	28	26	24	20	17	14	1" ¼	261	2,5
4S 50/7A	0,5	0,37	47	39	35	32	28	24	20		297	3,0
4S 50/10A	0,75	0,55	67	56	52	47	41	35	29		349	3,5
4S 50/14A	1	0,75	93	78	73	66	57	50	40		418	4,8
4S 50/20A	1,5	1,1	133	113	104	97	82	72	60		523	5,3
4S 50/28A	2	1,5	187	158	146	130	115	97	84		702	6,9
4S 50/40A	3	2,2	267	226	208	186	164	136	115		901	9,0

TYPE	MOTOR		Q (m³/h - l/min)						DNM	Lenght	Weight	
			0	2,1	2,4	2,7	3	3,6				4,2
	0	35	40	45	50	60	70					
	H (m)						mm	Kg				
4S 70/5A	0,5	0,37	34	29	27	25	23	18	13	1" ¼	261	2,6
4S 70/8A	0,75	0,55	54	46	43	41	38	30	19		314	3,1
4S 70/11A	1	0,75	72	61	58	54	49	38	26		366	3,7
4S 70/16A	1,5	1,1	106	89	83	77	70	54	33		453	4,6
4S 70/21A	2	1,5	142	122	115	108	100	79	49		540	5,5
4S 70/32A	3	2,2	208	177	165	152	138	104	62		761	7,6

TYPE	MOTOR		Q (m³/h - l/min)						DNM	Lenght	Weight	
			0	3	3,6	4,2	4,8	5,4				6
	0	50	60	70	80	90	100					
	H (m)						mm	Kg				
4S 100/5A	0,5	0,37	33	22	21	17	13	8	3	1" ¼	278	2,8
4S 100/7A	0,75	0,55	46	36	33	28	21	13	7		320	3,1
4S 100/9A	1	0,75	59	47	43	37	28	20	10		363	3,6
4S 100/14A	1,5	1,1	93	76	68	58	47	33	20		466	4,6
4S 100/18A	2	1,5	120	98	88	75	60	42	25		547	5,5
4S 100/27A	3	2,2	175	141	127	109	87	61	35		764	7,7
4S 100/35A	4	3	231	184	166	145	119	85	50		929	9,2
4S 100/44A	5	3,7	285	223	201	173	139	99	59		1119	11,2
4S 100/48A	5,5	4	322	245	228	198	160	118	70		1202	11,9

TYPE	MOTOR		Q (m³/h - l/min)						DNM	Lenght	Weight	
			0	3,6	4,2	4,8	5,4	6				6,6
	0	60	70	80	90	100	110					
	H (m)						mm	Kg				
4S 110/4A	0,5	0,37	26	19	17	14	11	7	5	1" ¼	272	2,7
4S 110/6A	0,75	0,55	38	30	26	22	18	12	8		320	3,0
4S 110/8A	1	0,75	51	39	35	30	24	18	12		368	3,5
4S 110/12A	1,5	1,1	77	63	57	49	41	31	20		465	4,3
4S 110/16A	2	1,5	102	86	77	68	57	46	33		561	5,3
4S 110/24A	3	2,2	151	122	111	97	80	62	45		755	7,1
4S 110/32A	4	3	203	162	146	127	105	80	58		979	9,4
4S 110/40A	5	3,7	253	202	182	159	131	102	70		1172	10,8
4S 110/44A	5,5	4	278	230	210	187	159	127	95		1269	11,8



# 4S/A

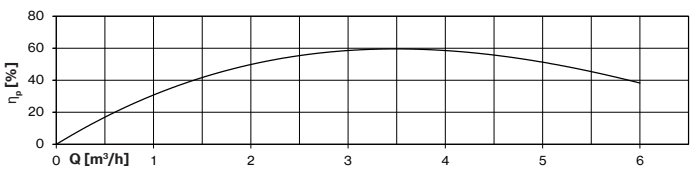
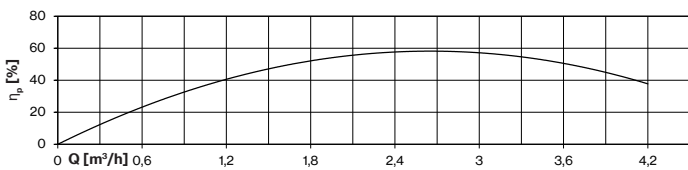
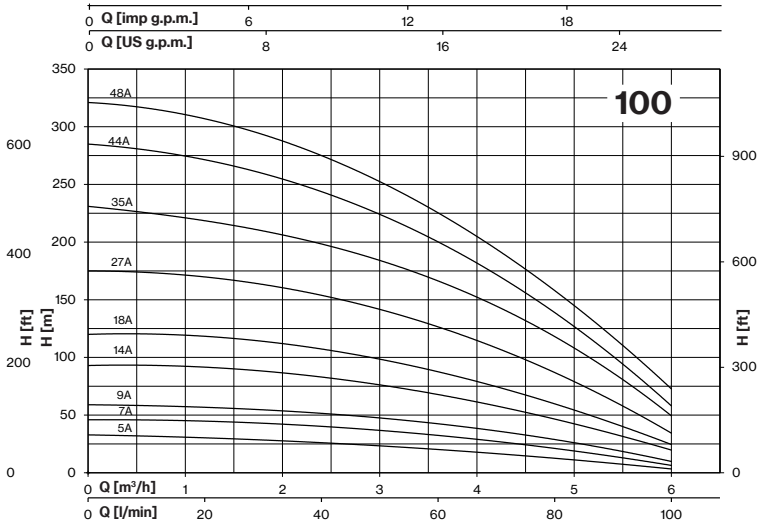
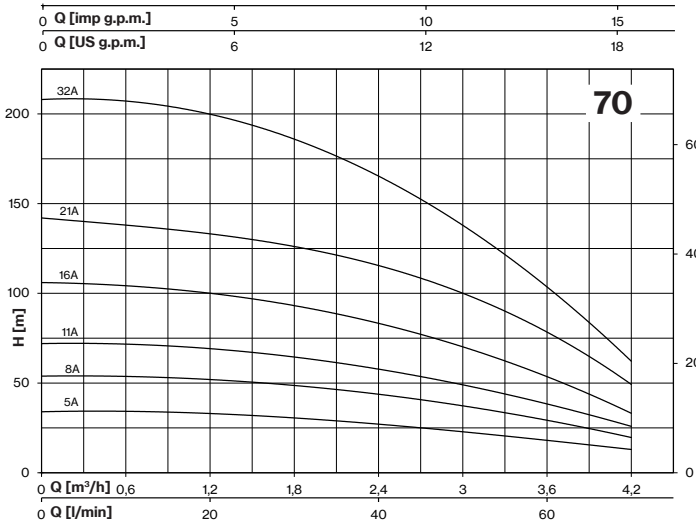
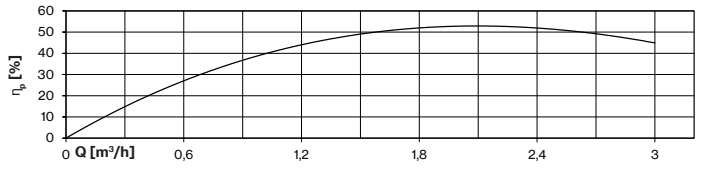
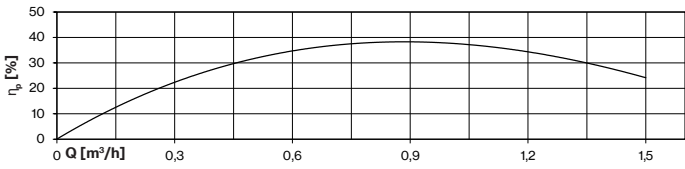
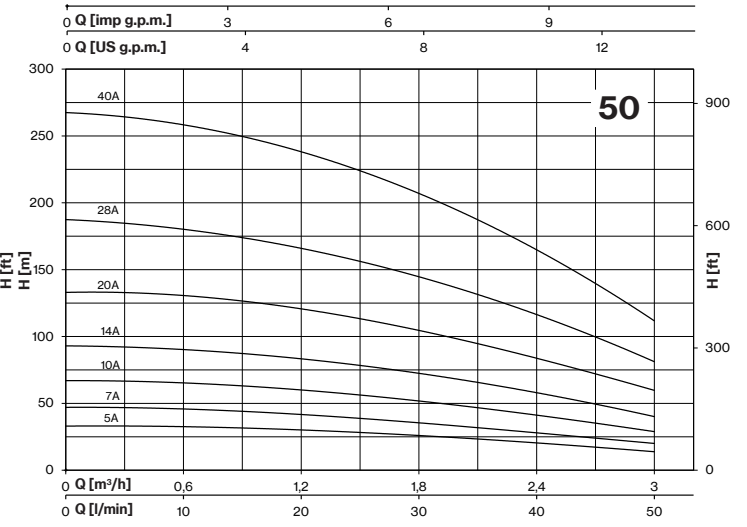
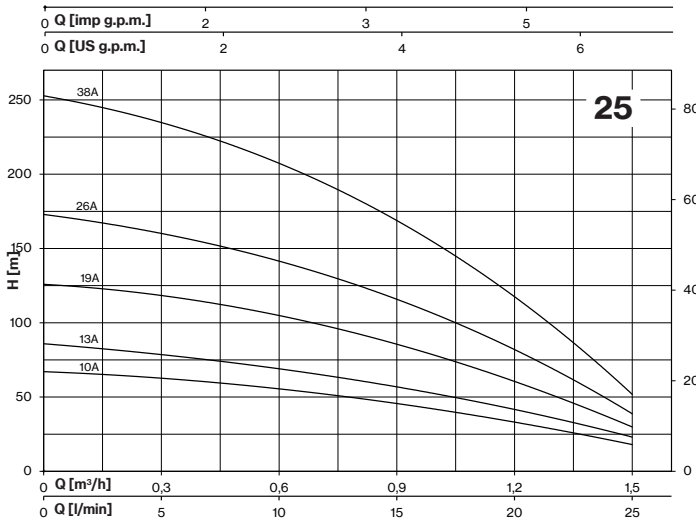
TYPE	MOTOR		Q (m³/h - l/min)							DNM	Lenght	Weight
			0	5,4	6	6,6	7,2	7,8	9			
	HP	kW	0	90	100	110	120	130	150		mm	Kg
			H (m)									
4S 140/7A	1	0,75	42	28	25	22	19	15	7	2"	385	3,7
4S 140/10A	1,5	1,1	62	41	38	34	29	23	10		479	4,5
4S 140/14A	2	1,5	90	63	59	53	46	37	18		602	5,8
4S 140/20A	3	2,2	125	86	80	71	62	52	28		789	7,7
4S 140/27A	4	3	169	115	107	96	84	70	37		1034	9,7
4S 140/34A	5	3,7	208	143	132	120	103	86	46		1251	11,8
4S 140/36A	5,5	4	221	154	143	127	112	93	51		1343	13,0
4S 140/49A	7,5	5,5	302	209	193	171	151	123	65		1745	16,5

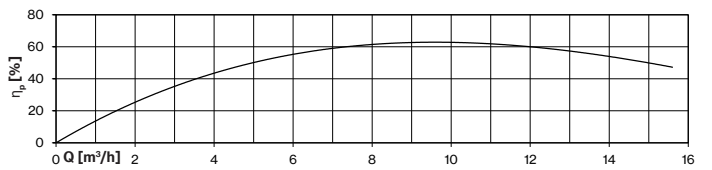
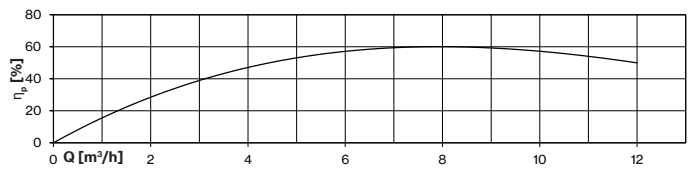
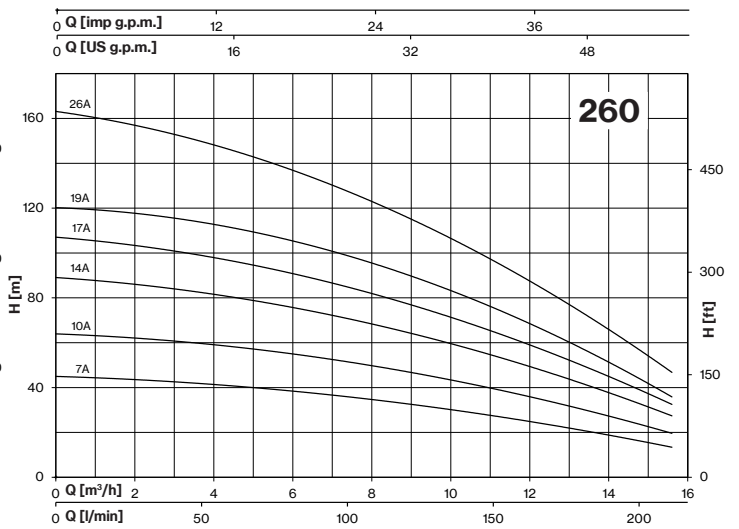
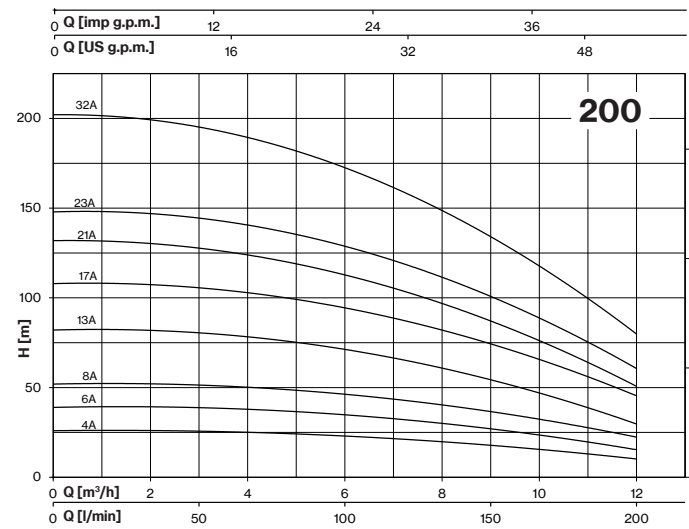
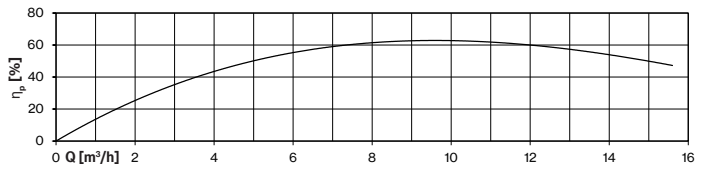
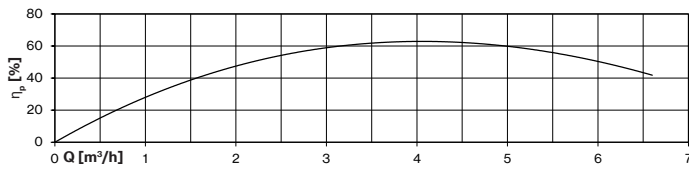
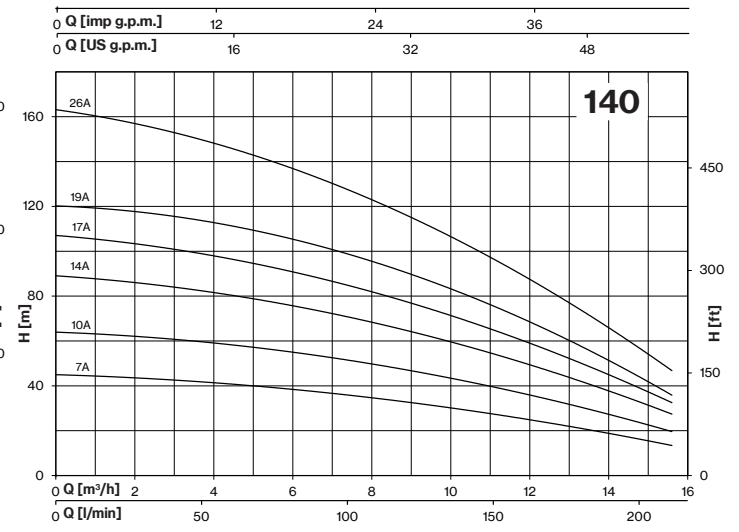
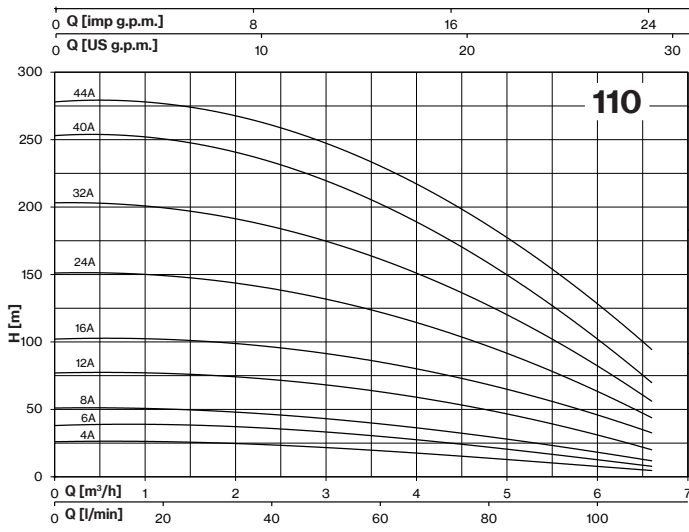
TYPE	MOTOR		Q (m³/h - l/min)						DNM	Lenght	Weight	
			0	7,2	7,8	8,4	9	9,6				12
	HP	kW	0	120	130	140	150	160		200	mm	Kg
			H (m)									
4S 200/4A	1	0,75	26	21	20	19	18	17	10	2"	293	2,8
4S 200/6A	1,5	1,1	39	32	30	29	27	26	15		356	4,0
4S 200/8A	2	1,5	52	43	40	39	37	35	22		419	4,1
4S 200/13A	3	2,2	82	66	62	59	53	50	30		574	5,4
4S 200/17A	4	3	108	87	83	79	75	70	45		698	6,6
4S 200/21A	5	3,7	132	103	98	93	88	82	50		820	7,8
4S 200/23A	5,5	4	148	118	113	108	101	95	60		916	8,7
4S 200/32A	7,5	5,5	202	160	151	143	133	125	80		1197	11,4

TYPE	MOTOR		Q (m³/h - l/min)						DNM	Lenght	Weight	
			0	9,6	10,8	12	13	14,4				15,6
	HP	kW	0	160	180	200	220	240		260	mm	Kg
			H (m)									
4S 260/7A	2	1,5	45	31	28	25	22	18	13	2"	533	5,3
4S 260/10A	3	2,2	64	44	41	36	32	26	19		689	6,6
4S 260/14A	4	3	89	62	56	49	43	35	28		898	8,6
4S 260/17A	5	3,7	107	74	67	59	51	42	33		1083	10,4
4S 260/19A	5,5	4	120	89	76	68	58	48	37		1188	11,2
4S 260/26A	7,5	5,5	163	111	100	87	75	61	48		1551	13,9

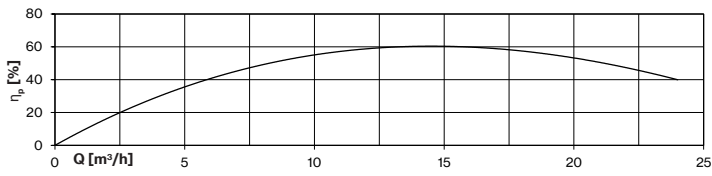
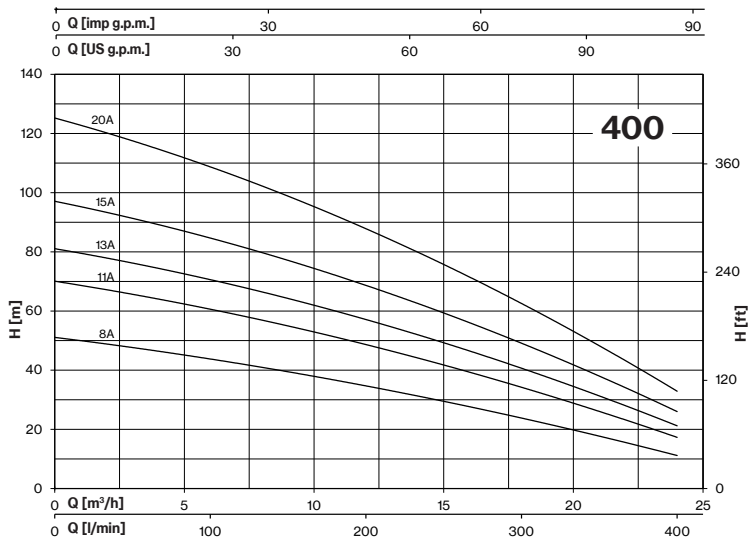
TYPE	MOTOR		Q (m³/h - l/min)						DNM	Lenght	Weight	
			0	15,6	16,8	18	19,2	20,4				24
	HP	kW	0	260	280	300	320	340		400	mm	Kg
			H (m)									
4S 400/8A	3	2,2	51	29	27	24	20	18	12	2"	713	6,5
4S 400/11A	4	3	70	41	38	34	30	27	18		917	8,4
4S 400/13A	5	3,7	81	48	45	41	36	32	22		1050	9,6
4S 400/15A	5,5	4	97	58	54	50	43	39	27		1219	11,1
4S 400/20A	7,5	5,5	125	74	70	65	56	44	36		1557	13,8





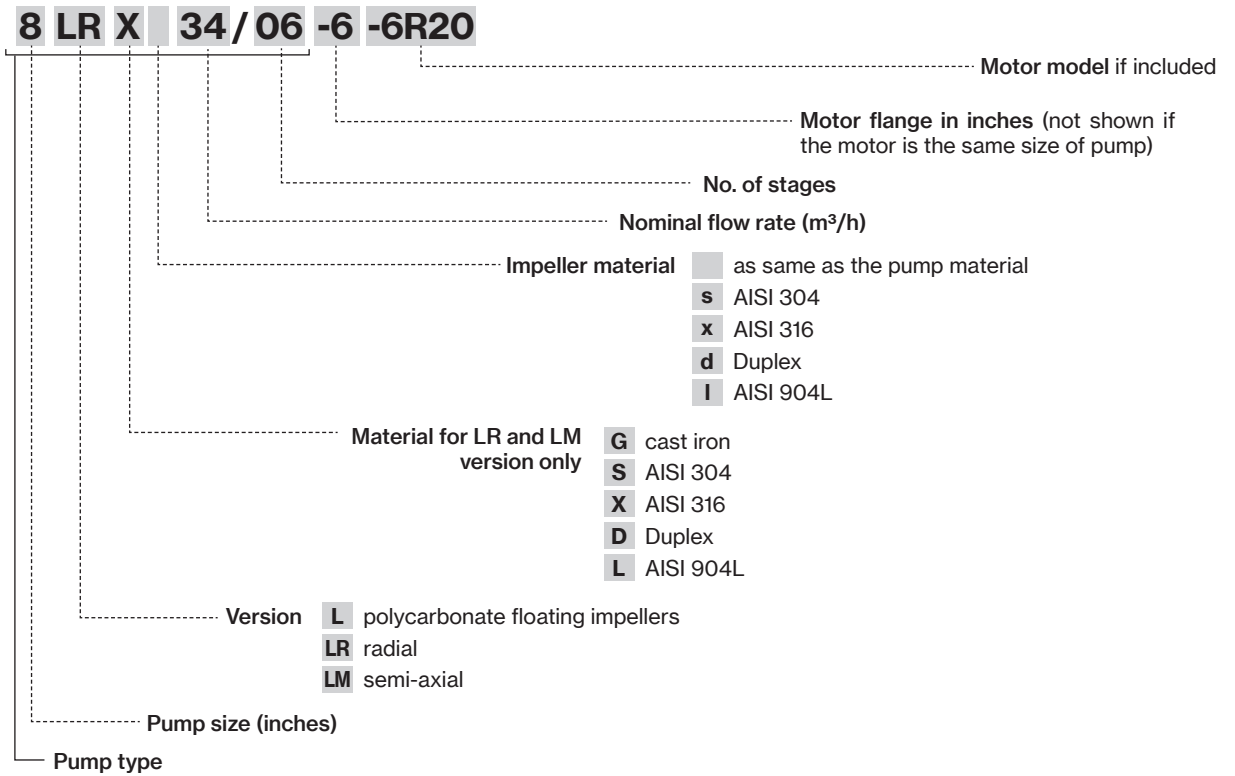




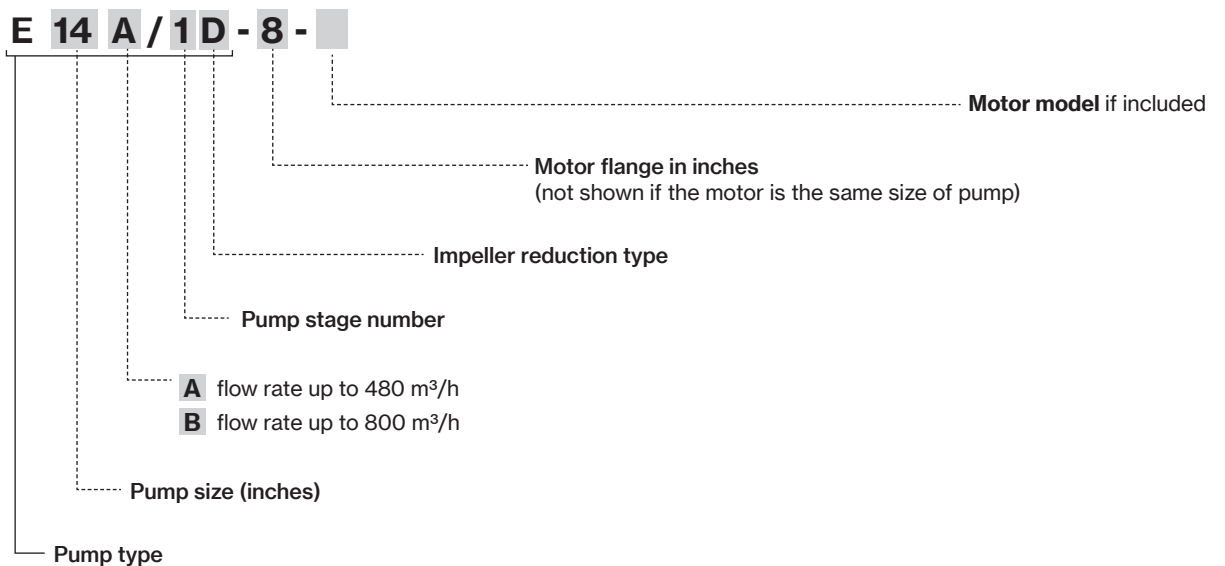


# Name key

## L line



## E line



Submersible multistage centrifugal pumps for 4" wells with sand-resistant floating impellers. Check valve built into the delivery outlet. Pump flange for coupling with motors are made according to NEMA standards. Most common applications are civil and agricultural.

### Construction features

<b>Delivery outlet and bracket</b>	stainless steel AISI 304
<b>External jacket</b>	stainless steel AISI 304
<b>Impellers</b>	polycarbonate Lexan
<b>Diffusers</b>	polycarbonate Noryl®
<b>Upper bushings</b>	NBR rubber
<b>Shaft</b>	stainless steel AISI 420
<b>Quantity of sand in the water</b>	max 300 g/m <sup>3</sup>
<b>Max liquid temperature</b>	35° C



## 4L

### 4L 2

Motor 50 Hz - 2900 rpm						Q								
TYPE	Power		1~ 230 V		400 V	I/min	0	5	10	15	20	25	30	35
	HP	kW	A	μF	A	I/sec	0	0,08	0,17	0,25	0,33	0,42	0,50	0,58
						m³/h	0	0,3	0,6	0,9	1,2	1,5	1,8	2,1
4L 2/08	0,5	0,37	3,5	16	1,2	H[m]	46	45	44	42	38	33	27	21
4L 2/13	0,75	0,55	4,9	20	1,7		74	73	71	68	62	54	44	33
4L 2/17	1	0,75	6,5	30	2,2		97	96	93	89	81	70	58	44
4L 2/25	1,5	1,1	9,4	40	3		143	141	137	131	119	104	85	64
4L 2/34	2	1,5	11,5	50	4		194	191	187	178	162	141	116	87
4L 2/50	3	2,2	14,7	75	5,7		286	281	274	261	239	207	170	129

### 4L 3

Motor 50 Hz - 2900 rpm						Q						
TYPE	Power		1~ 230 V		400 V	I/min	0	20	30	40	50	60
	HP	kW	A	μF	A	I/sec	0	0,33	0,50	0,67	0,83	1,00
						m³/h	0	1,2	1,8	2,4	3	3,6
4L 3/07	0,5	0,37	3,5	16	1,2	H[m]	46	40	36	31	24	15
4L 3/10	0,75	0,55	4,9	20	1,7		66	57	52	44	35	22
4L 3/14	1	0,75	6,5	30	2,2		92	80	73	62	49	31
4L 3/21	1,5	1,1	9,4	40	3		138	120	109	93	73	46
4L 3/28	2	1,5	11,5	50	4		184	160	145	124	97	61
4L 3/41	3	2,2	14,7	75	5,7		269	234	213	182	143	90
4L 3/56	4	3	-	-	7,4		368	320	291	248	195	123
4L 3/70	5,5	4	-	-	10		460	400	363	310	243	153

### 4L 4

Motor 50 Hz - 2900 rpm						Q									
TYPE	Power		1~ 230 V		400 V	I/min	0	20	30	40	50	60	70	80	90
	HP	kW	A	μF	A	I/sec	0	0,33	0,50	0,67	0,83	1,00	1,17	1,33	1,50
						m³/h	0	1,2	1,8	2,4	3	3,6	4,2	4,8	5,4
4L 4/07	0,75	0,55	4,9	20	1,7	H[m]	46	46	44	41	37	32	27	20	12
4L 4/10	1	0,75	6,5	30	2,2		66	65	63	59	53	46	38	28	18
4L 4/14	1,5	1,1	9,4	40	3		93	91	88	82	74	65	53	39	25
4L 4/20	2	1,5	11,5	50	4		133	130	126	118	106	93	76	56	35
4L 4/29	3	2,2	14,7	75	5,7		192	189	183	170	154	134	111	82	51
4L 4/39	4	3	-	-	7,4		258	254	246	229	207	180	149	110	68
4L 4/52	5,5	4	-	-	10		345	338	328	306	276	241	198	146	91



Motor 50 Hz - 2900 rpm						Q								
TYPE	Power		1~ 230 V		400 V	I/min	0	40	50	60	70	80	90	100
	HP	kW	A	μF		A	I/sec	0	0,67	0,83	1,00	1,17	1,33	1,50
					m <sup>3</sup> /h		0	2,4	3	3,6	4,2	4,8	5,4	6
4L 5/06	0,75	0,55	4,9	20	1,7	H[m]	41	38	36	34	30	25	19	12
4L 5/08	1	0,75	6,5	30	2,2		55	51	49	45	40	34	26	17
4L 5/12	1,5	1,1	9,4	40	3		83	77	73	68	60	50	38	25
4L 5/16	2	1,5	11,5	50	4		110	102	97	90	80	67	51	33
4L 5/23	3	2,2	14,7	75	5,7		158	147	139	129	115	96	73	47
4L 5/32	4	3	-	-	7,4		220	204	194	180	160	134	102	66
4L 5/42	5,5	4	-	-	10		289	268	255	236	210	176	134	87
4L 5/52	7,5	5,5	-	-	13,5		358	332	315	293	260	218	166	107
4L 5/68	10	7,5	-	-	18		468	434	412	383	340	285	217	140

Motor 50 Hz - 2900 rpm						Q								
TYPE	Power		1~ 230 V		400 V	I/min	0	40	60	80	100	120	140	160
	HP	kW	A	μF		A	I/sec	0	0,67	1,00	1,33	1,67	2,00	2,33
					m <sup>3</sup> /h		0	2,4	3,6	4,8	6	7,2	8,4	9,6
4L 7/04	0,75	0,55	4,9	20	1,7	H[m]	26	24	23	22	20	17	14	10
4L 7/06	1	0,75	6,5	30	2,2		38	36	34	32	30	26	21	14
4L 7/09	1,5	1,1	9,4	40	3		57	53	51	48	44	39	32	21
4L 7/12	2	1,5	11,5	50	4		77	71	68	65	59	52	42	29
4L 7/17	3	2,2	14,7	75	5,7		109	101	97	92	84	73	60	41
4L 7/23	4	3	-	-	7,4		147	136	131	124	113	99	81	55
4L 7/31	5,5	4	-	-	10		198	184	176	167	153	134	110	74
4L 7/42	7,5	5,5	-	-	13,5		268	249	239	226	207	181	149	100
4L 7/56	10	7,5	-	-	18		358	332	319	302	276	241	198	134

Motor 50 Hz - 2900 rpm						Q								
TYPE	Power		1~ 230 V		400 V	I/min	0	80	100	120	140	160	180	200
	HP	kW	A	μF		A	I/sec	0	1,33	1,67	2,00	2,33	2,67	3,00
					m <sup>3</sup> /h		0	4,8	6	7,2	8,4	9,6	10,8	12
4L 9/04	1	0,75	6,5	30	2,2	H[m]	25	24	22	21	18	15	11	4
4L 9/07	1,5	1,1	9,4	40	3		44	41	39	36	32	27	19	8
4L 9/09	2	1,5	11,5	50	4		56	53	50	46	42	35	25	10
4L 9/13	3	2,2	14,7	75	5,7		81	77	72	67	60	50	36	14
4L 9/18	4	3	-	-	7,4		112	107	100	93	83	69	50	19
4L 9/24	5,5	4	-	-	10		150	142	133	124	111	92	66	26
4L 9/31	7,5	5,5	-	-	13,5		193	184	172	160	143	119	86	33
4L 9/42	10	7,5	-	-	18		262	249	233	216	194	162	116	45

## 4L

### 4L 10

Motor 50 Hz - 2900 rpm						Q								
TYPE	Power		1~ 230 V		400 V	I/min	0	100	125	150	175	200	225	250
	HP	kW	A	μF		A	I/sec	0	1,67	2,08	2,50	2,92	3,33	3,75
					m³/h		0	6	7	9	10,5	12	13,5	15
4L 10/04	1	0,75	6,5	30	2,2	H[m]	31	24	22	20	18	14	12	9
4L 10/05	1,5	1,1	9,4	40	3		39	30	28	25	22	18	15	11
4L 10/07	2	1,5	11,5	50	4		54	42	39	35	31	25	21	15
4L 10/10	3	2,2	14,7	75	5,7		77	60	55	50	44	36	30	22
4L 10/14	4	3	-	-	7,4		108	83	77	70	62	50	42	31
4L 10/19	5,5	4	-	-	10		146	113	105	95	84	68	57	42
4L 10/26	7,5	5,5	-	-	13,5		200	155	143	130	114	94	78	57
4L 10/35	10	7,5	-	-	18		270	208	193	175	154	126	105	77

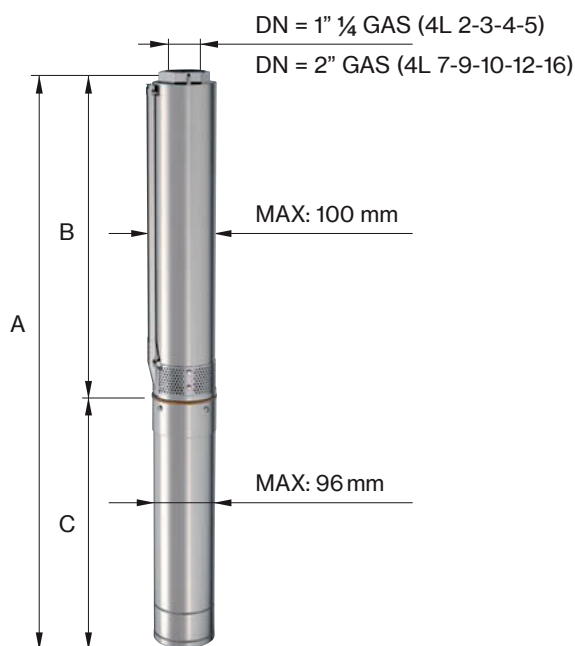
### 4L 12

Motor 50 Hz - 2900 rpm						Q								
TYPE	Power		1~ 230 V		400 V	I/min	0	150	175	200	225	250	275	300
	HP	kW	A	μF		A	I/sec	0	2,50	2,92	3,33	3,75	4,17	4,58
					m³/h		0	9	10,5	12	13,5	15,0	16,5	18
4L 12/04	1,5	1,1	9,4	40	3	H[m]	28	22	20	17	15	12	8	4
4L 12/05	2	1,5	11,5	50	4		35	28	26	22	18	15	10	5
4L 12/07	3	2,2	14,7	75	5,7		49	39	36	30	26	21	14	7
4L 12/10	4	3	-	-	7,4		70	56	51	43	37	29	20	9
4L 12/13	5,5	4	-	-	10		91	72	66	56	48	38	26	12
4L 12/18	7,5	5,5	-	-	13,5		126	100	92	78	66	53	36	17
4L 12/24	10	7,5	-	-	18		168	133	123	104	88	71	48	23

### 4L 16

Motor 50 Hz - 2900 rpm						Q							
TYPE	Power		1~ 230 V		400 V	I/min	0	150	200	250	300	350	400
	HP	kW	A	μF		A	I/sec	0	2,50	3,33	4,17	5,00	5,83
					m³/h		0	9	12	15	18	21	24
4L 16/05	1,5	1,1	9,4	40	3	H[m]	28	22	19	17	14	9	2,2
4L 16/07	2	1,5	11,5	50	4		39	30	27	24	19	12	3,1
4L 16/10	3	2,2	14,7	75	5,7		56	43	39	34	27	17	4,4
4L 16/14	4	3	-	-	7,4		78	61	54	48	38	24	6
4L 16/19	5,5	4	-	-	10		106	82	74	65	52	33	8
4L 16/23	7,5	5,5	-	-	13,5		128	100	89	79	63	40	10
4L 16/32	10	7,5	-	-	18		178	139	124	110	87	55	14





## 4L 2

Motor 50 Hz 2900 rpm	DIMENSIONS (mm)					Weight (kg)		
TYPE	A 1- 230 V	A 3- 400 V	B	C 1-	C 3-	M 1-	M 3-	P
4L 2/08	683	-	366	317	-	7	-	4
4L 2/13	801	781	464	337	317	8	8	5
4L 2/17	904	879	542	362	337	10	10	6
4L 2/25	1090	1060	698	392	362	12	12	8
4L 2/34	1295	1265	873	422	392	13	13	11
4L 2/50	1652	1637	1185	467	452	15	15	15

Max Eff. % =	40,5
Max kW / St. =	0,044

Q (flow)	25%	50%	75%	100%
NPSH (m)	2	2	2,2	2,7

## 4L 3

Motor 50 Hz 2900 rpm	DIMENSIONS (mm)					Weight (kg)		
TYPE	A 1- 230 V	A 3- 400 V	B	C 1-	C 3-	M 1-	M 3-	P
4L 3/07	681	-	364	317	-	7	-	4
4L 3/10	767	747	430	337	317	8	8	5
4L 3/14	880	855	518	362	337	10	10	6
4L 3/21	1064	1034	672	392	362	12	12	7
4L 3/28	1248	1218	826	422	392	13	13	9
4L 3/41	1579	1564	1112	467	452	15	15	12
4L 3/56	-	1999	1442	-	557	-	19	16
4L 3/70	-	2347	1750	-	597	-	22	20

Max Eff. % =	56
Max kW / St. =	0,053

Q (flow)	25%	50%	75%	100%
NPSH (m)	2	2	2,5	3,2



## 4L

### 4L 4

Motor 50 Hz 2900 rpm	DIMENSIONS (mm)					Weight (kg)		
TYPE	A 1- 230 V	A 3- 400 V	B	C 1-	C 3-	M 1-	M 3-	P
4L 4/07	701	681	364	337	317	8	8	4
4L 4/10	792	767	430	362	337	10	10	5
4L 4/14	910	880	518	392	362	12	12	6
4L 4/20	1072	1042	650	422	392	13	13	7
4L 4/29	1315	1300	848	467	452	15	15	10
4L 4/39	-	1625	1068	-	557	-	19	12
4L 4/52	-	1951	1354	-	597	-	22	16

Max Eff. % =	64
Max kW / St. =	0,076

Q (flow)	25%	50%	75%	100%
NPSH (m)	2	2	2,5	3,2

### 4L 5

Motor 50 Hz 2900 rpm	DIMENSIONS (mm)					Weight (kg)		
TYPE	A 1- 230 V	A 3- 400 V	B	C 1-	C 3-	M 1-	M 3-	P
4L 5/06	679	659	342	337	317	8	8	4
4L 5/08	748	723	386	362	337	10	10	4,5
4L 5/12	866	836	474	392	362	12	12	6
4L 5/16	984	954	562	422	392	13	13	7
4L 5/23	1183	1168	716	467	452	15	15	9
4L 5/32	-	1471	914	-	557	-	19	12
4L 5/42	-	1731	1134	-	597	-	22	15
4L 5/52	-	2052	1354	-	698	-	27	18
4L 5/68	-	2524	1706	-	818	-	32	23

Max Eff. % =	63,5
Max kW / St. =	0,095

Q (flow)	25%	50%	75%	100%
NPSH (m)	2	2	2,5	3,2

### 4L 7

Motor 50 Hz 2900 rpm	DIMENSIONS (mm)					Weight (kg)		
TYPE	A 1- 230 V	A 3- 400 V	B	C 1-	C 3-	M 1-	M 3-	P
4L 7/04	667	647	330	337	317	8	8	3
4L 7/06	752	727	390	362	337	10	10	4
4L 7/09	872	842	480	392	362	12	12	5
4L 7/12	992	962	570	422	392	13	13	6
4L 7/17	1187	1172	720	467	452	15	15	8
4L 7/23	-	1457	900	-	557	-	19	10
4L 7/31	-	1737	1140	-	597	-	22	13
4L 7/42	-	2168	1470	-	698	-	27	16
4L 7/56	-	2708	1890	-	818	-	32	21

Max Eff. % =	65
Max kW / St. =	0,128

Q (flow)	25%	50%	75%	100%
NPSH (m)	2	2	2,7	3,5





Motor 50 Hz 2900 rpm	DIMENSIONS (mm)					Weight (kg)		
TYPE	A 1- 230 V	A 3- 400 V	B	C 1-	C 3-	M 1-	M 3-	P
4L 9/04	692	667	330	362	337	10	10	3
4L 9/07	812	782	420	392	362	12	12	4
4L 9/09	902	872	480	422	392	13	13	5
4L 9/13	1067	1052	600	467	452	15	15	6
4L 9/18	-	1307	750	-	557	-	19	8
4L 9/24	-	1527	930	-	597	-	22	10
4L 9/31	-	1838	1140	-	698	-	27	12
4L 9/42	-	2288	1470	-	818	-	32	16

Max Eff. % =	64
Max kW / St. =	0,165

Q (flow)	25%	50%	75%	100%
NPSH (m)	2,2	2,2	3	4,8

Motor 50 Hz 2900 rpm	DIMENSIONS (mm)					Weight (kg)		
TYPE	A 1- 230 V	A 3- 400 V	B	C 1-	C 3-	M 1-	M 3-	P
4L 10/04	736	711	374	362	337	10	10	4
4L 10/05	807	777	415	392	362	12	12	4
4L 10/07	919	889	497	422	392	13	13	5
4L 10/10	1087	1072	620	467	452	15	15	6
4L 10/14	-	1341	784	-	557	-	19	7
4L 10/19	-	1586	989	-	597	-	22	9
4L 10/26	-	1974	1276	-	698	-	27	12
4L 10/35	-	2463	1645	-	818	-	32	15

Max Eff. % =	60
Max kW / St. =	0,210

Q (flow)	25%	50%	75%	100%
NPSH (m)	2,2	2,2	3	4,8

Motor 50 Hz 2900 rpm	DIMENSIONS (mm)					Weight (kg)		
TYPE	A 1- 230 V	A 3- 400 V	B	C 1-	C 3-	M 1-	M 3-	P
4L 12/04	766	736	374	392	362	12	12	4
4L 12/05	837	807	415	422	392	13	13	4
4L 12/07	964	949	497	467	452	15	15	5
4L 12/10	-	1177	620	-	557	-	19	6
4L 12/13	-	1340	743	-	597	-	22	7
4L 12/18	-	1646	948	-	698	-	27	9
4L 12/24	-	2012	1194	-	818	-	32	12

Max Eff. % =	57
Max kW / St. =	0,308

Q (flow)	25%	50%	75%	100%
NPSH (m)	2,2	2,2	3	4,8



# 4L

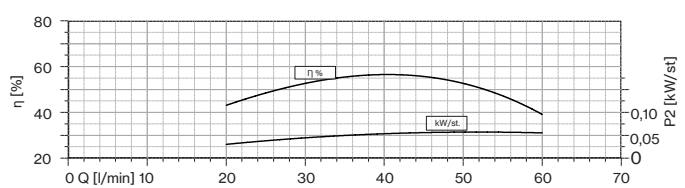
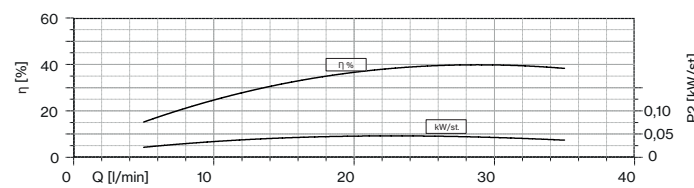
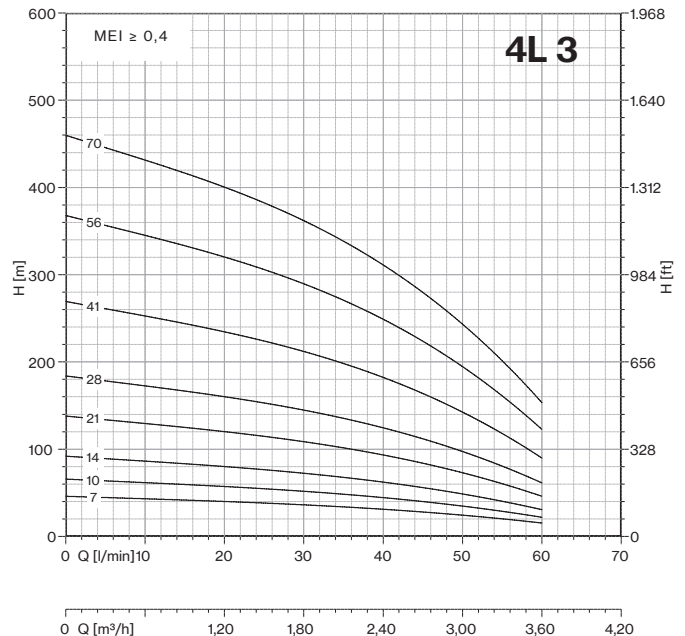
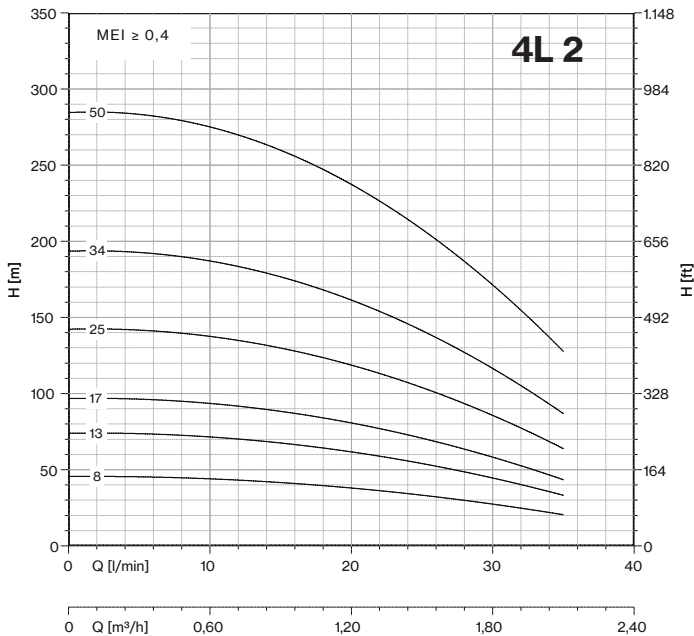
## 4L 16

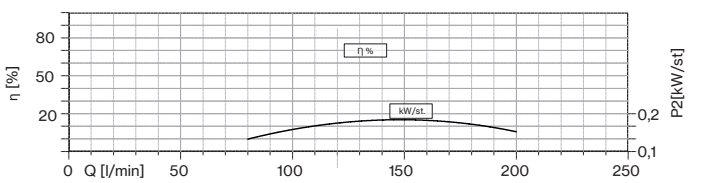
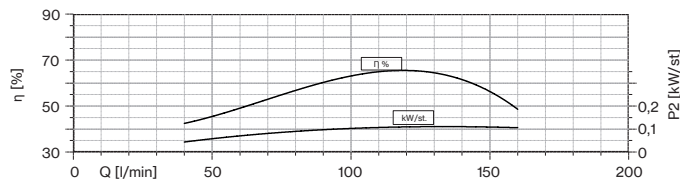
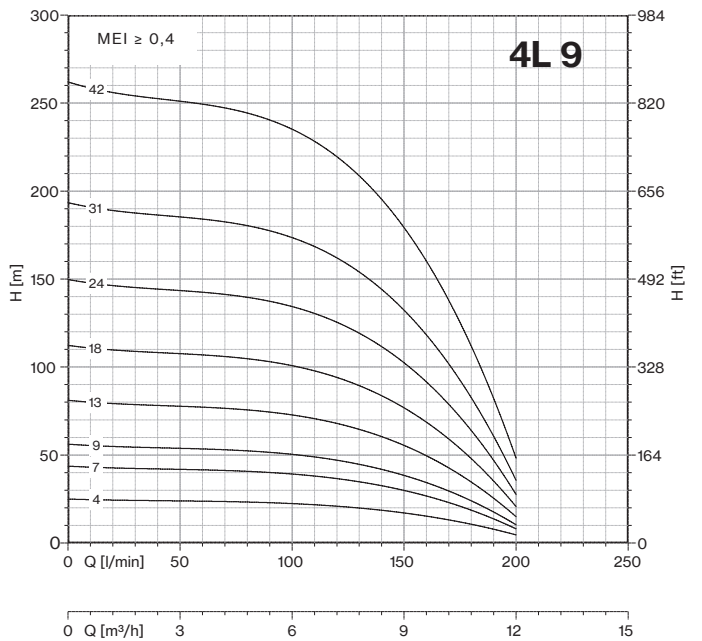
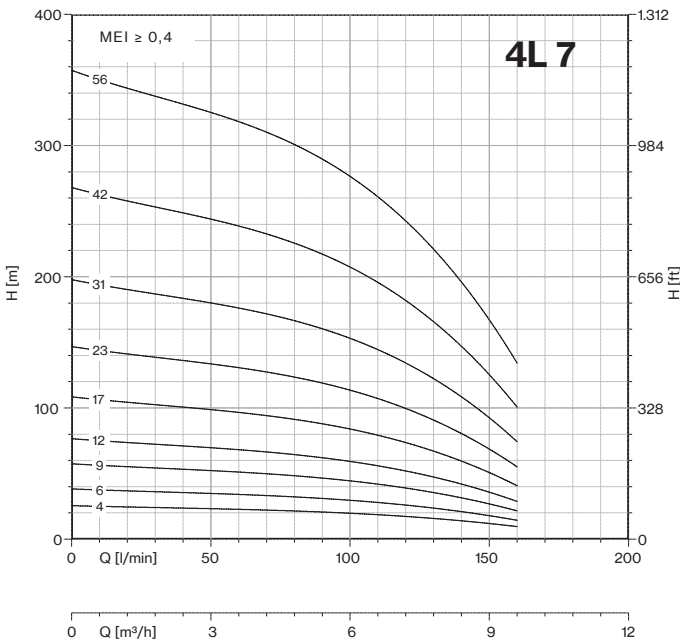
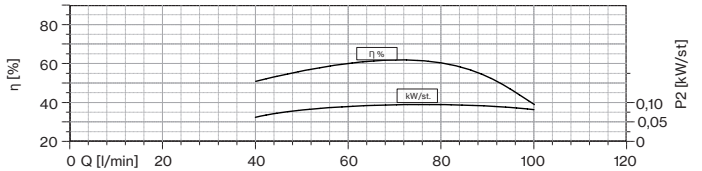
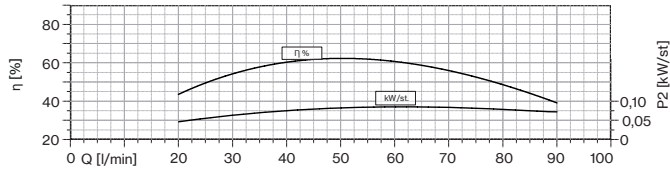
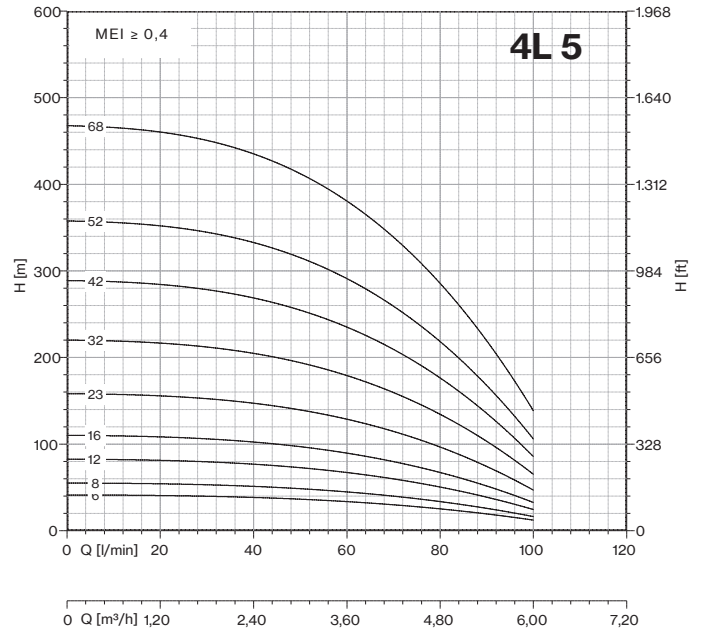
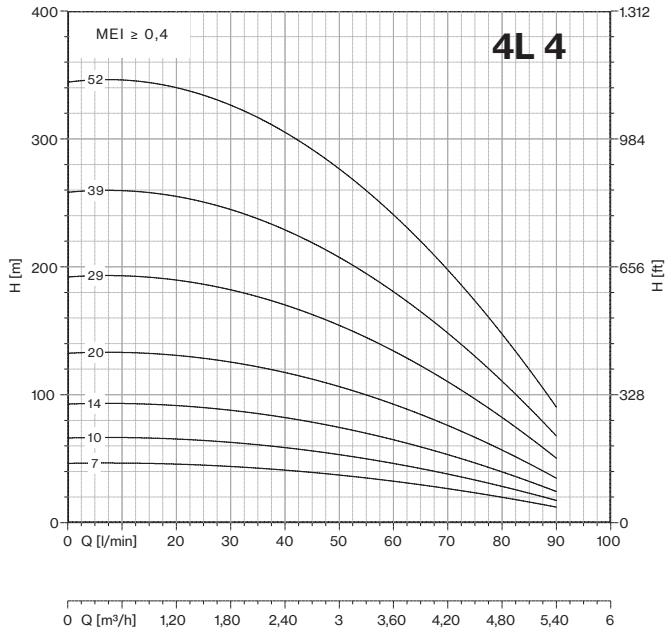
Motor 50 Hz 2900 rpm	DIMENSIONS (mm)					Weight (kg)		
TYPE	A 1- 230 V	A 3- 400 V	B	C 1-	C 3-	M 1-	M 3-	P
4L 16/05	967	937	575	392	362	12	12	5
4L 16/07	1143	1113	721	422	392	13	13	6
4L 16/10	1407	1392	940	467	452	15	15	8
4L 16/14	-	1789	1232	-	557	-	19	10
4L 16/19	-	2194	1597	-	597	-	22	13
4L 16/23	-	2587	1889	-	698	-	27	16
4L 16/32	-	3364	2546	-	818	-	32	21

Max Eff. % =	64,5
Max kW / St. =	0,216

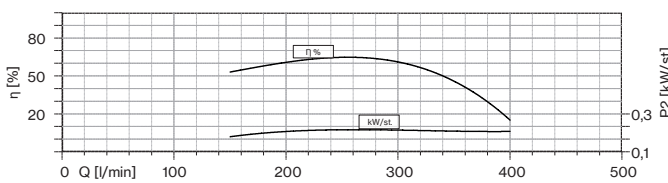
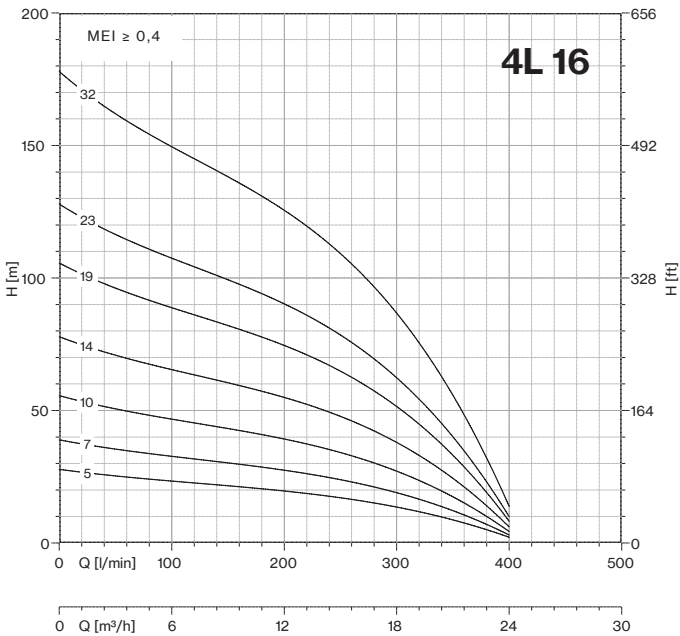
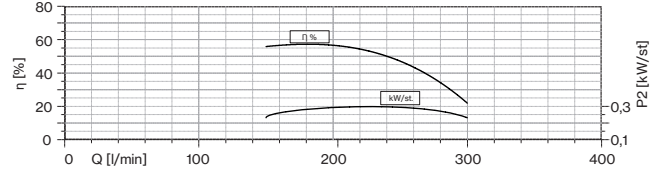
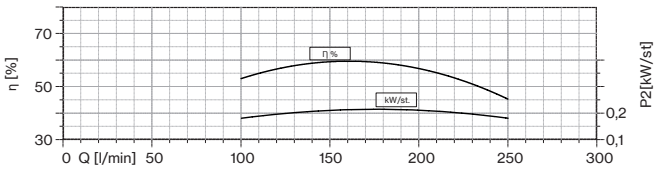
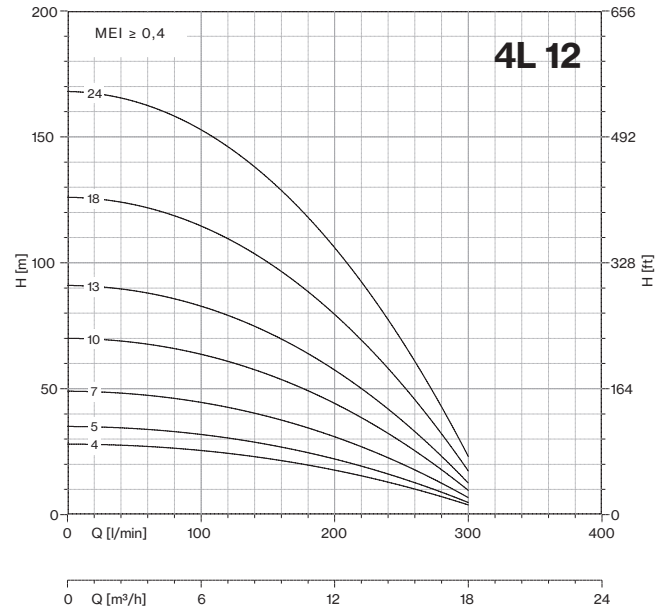
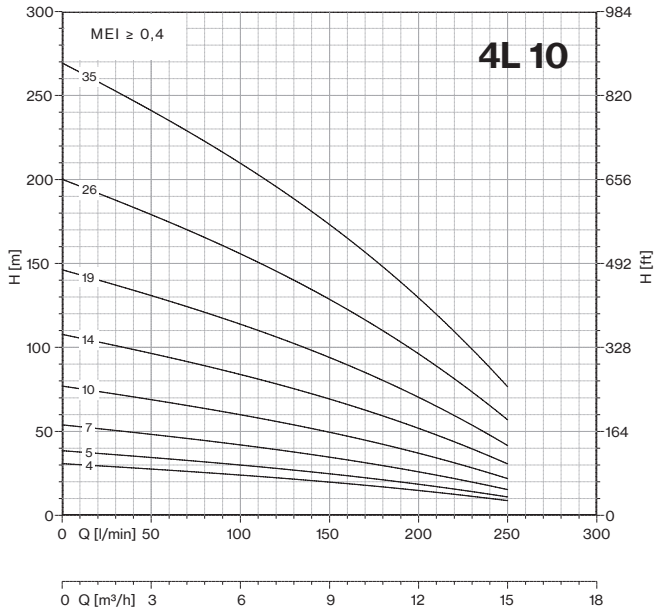
Q (flow)	25%	50%	75%	100%
NPSH (m)	3	3	4	6

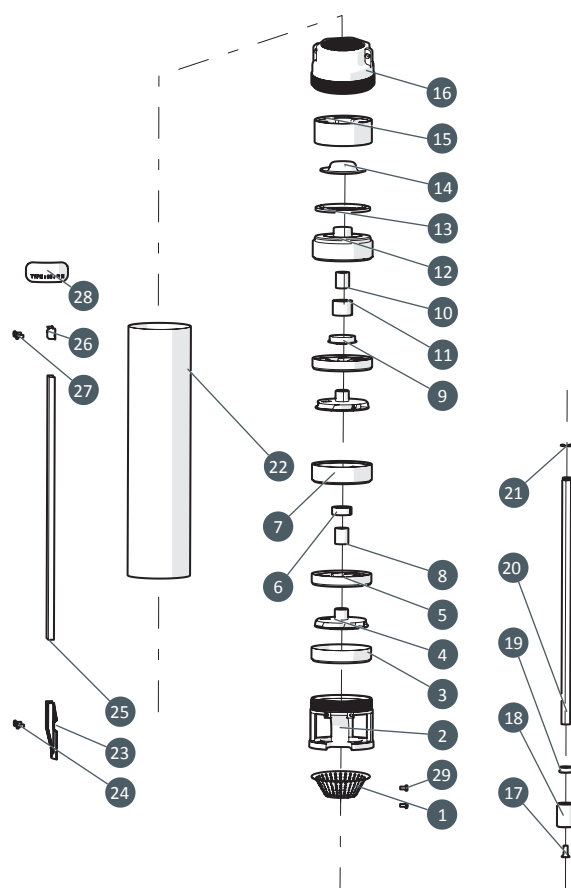
# 4L





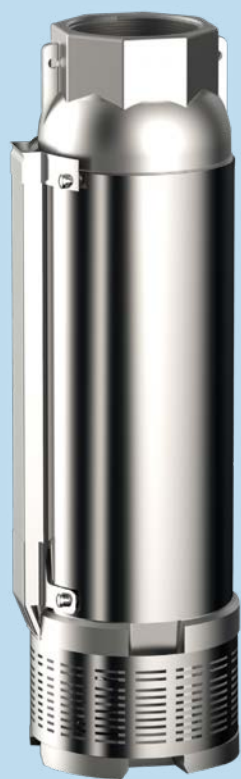
# 4L





N. CODE	DESCRIPTION	MATERIAL
1	SUCTION STRAINER	AISI 304
2	SUCTION CAGE	AISI 304
3	INTERMEDIATE CASING	AISI 304
4	IMPELLER	POLYCARBONATE
5	DIFFUSEUR	NORYL GFN2
6	INTERMEDIATE BEARING BUSH	RUBBER NBR
7	INTERMEDIATE SUPPORT	NORYL GFN2
8	INTERMEDIATE SPACER	AISI 304
9	SAND GUARD	NORYL GFN2
10	SPACER UPPER SUPPORT	AISI 304
11	UPPER BEARING BUSH	RUBBER NBR
12	UPPER SUPPORT	NORYL GFN2
13	GASLET VALVE	RUBBER NBR
14	CAP VALVE	AISI 304
15	RING CONNECTOR DELIVERY BOWL	NORYL GFN2
16	DELIVERY BOWL	AISI 304
17	SCREW M6X12	AISI 304
18	FLOTTANTE FLOATING JOINT	AISI 304
19	SPACER FIRST IMPELLER	POLYCARBONATE
20	PUMP SHAFT	AISI 420
21	SEEGER	AISI 304
22	SLEEVE	AISI 304
23	LOWER FLANGE	AISI 304
24	N.2 SCREW M4X10 FOR LOWER FLANGE	AISI 304
25	COVER CABLE	AISI 304
26	UPPER FLANGE	AISI 304
27	N.2 SCREW M4X10 FOR UPPER FLANGE	AISI 304
28	ADHESIVE LABEL	POLYESTER
29	N.2 SCREW M4X10 SUCTION STRAINER	AISI 304

Submersible multistage centrifugal pumps for 6" wells. Check valve built into the delivery outlet. Pump flange for coupling with motors are made according to NEMA standards. Most common applications are civil and agricultural.



### Construction features

<b>Suction and delivery outlet</b>	micro-casted stainless steel AISI 304
<b>Valve</b>	stainless steel AISI 304
<b>Impellers and diffusers</b>	polycarbonate Lexan
<b>Upper bushings</b>	NBR rubber
<b>Shaft</b>	stainless steel AISI 420
<b>Quantity of sand in the water</b>	max 400 g/m <sup>3</sup>
<b>Max liquid temperature</b>	35° C



Motor 50 Hz - 2900 rpm			Q					
TYPE	Power		l/min	0	60	100	140	180
			l/sec	0	1,00	1,67	2,33	3,00
	HP	kW	m <sup>3</sup> /h	0	3,6	6	8,4	10,8
6L 9/06	3	2,2	H[m]	92	82	67	48	22
6L 9/08	4	3		123	109	90	63	29
6L 9/10	5,5	4		154	136	112	79	36
6L 9/14	7,5	5,5		215	191	157	111	51
6L 9/20	10	7,5		308	272	225	158	72
6L 9/24	12,5	9,2		369	327	270	190	87
6L 9/29	15	11		446	395	326	230	105
6L 9/34	17,5	13		523	463	382	269	123
6L 9/39	20	15		600	531	438	309	141

Motor 50 Hz - 2900 rpm			Q						
TYPE	Power		l/min	0	80	120	160	200	240
			l/sec	0	1,33	2,00	2,67	3,33	4,00
	HP	kW	m <sup>3</sup> /h	0	4,8	7,2	9,6	12	14,4
6L 12/05	3	2,2	H[m]	73	68	62	51	37	19
6L 12/07	4	3		102	96	86	72	51	27
6L 12/09	5,5	4		131	123	111	92	66	35
6L 12/12	7,5	5,5		175	164	148	123	88	46
6L 12/17	10	7,5		248	233	209	174	124	65
6L 12/20	12,5	9,2		292	274	246	205	146	77
6L 12/24	15	11		351	329	295	246	175	92
6L 12/29	17,5	13		424	397	357	297	212	112
6L 12/33	20	15		482	452	406	338	241	127

Motor 50 Hz - 2900 rpm			Q						
TYPE	Power		l/min	0	100	150	200	250	300
			l/sec	0	1,67	2,50	3,33	4,17	5,00
	HP	kW	m <sup>3</sup> /h	0	6	9	12	15	18
6L 14/05	4	3	H[m]	75	72	67	60	49	34
6L 14/06	5,5	4		90	87	81	72	59	40
6L 14/08	7,5	5,5		120	116	108	96	78	54
6L 14/12	10	7,5		180	174	162	144	117	80
6L 14/14	12,5	9,2		210	203	189	168	137	94
6L 14/17	15	11		255	246	229	204	166	114
6L 14/20	17,5	13		300	289	269	240	195	134
6L 14/23	20	15		345	333	310	276	225	154
6L 14/29	25	18,5		435	420	391	348	283	194
6L 14/34	30	22	510	492	458	408	332	228	

## 6L

### 6L 17

Motor 50 Hz - 2900 rpm				Q						
TYPE	Power		l/min	0	150	200	250	300	350	400
			l/sec	0	2,50	3,33	4,17	5,00	5,83	6,67
	HP	kW	m <sup>3</sup> /h	0	9	12	15	18	21	24
6L 17/04	4	3	H[m]	59	56	52	45	37	27	18
6L 17/05	5,5	4		74	71	65	56	46	34	22
6L 17/07	7,5	5,5		103	99	91	79	65	48	31
6L 17/09	10	7,5		133	127	117	102	84	62	40
6L 17/12	12,5	9,2		177	169	156	135	111	82	53
6L 17/14	15	11		207	197	182	158	130	96	62
6L 17/16	17,5	13		236	226	208	181	149	110	71
6L 17/19	20	15		281	268	247	215	177	131	85
6L 17/23	25	18,5		340	324	299	260	214	158	102
6L 17/28	30	22		413	395	364	316	260	192	125
6L 17/33	35	26		487	465	429	373	307	227	147
6L 17/38	40	30		561	536	494	429	353	261	169

### 6L 23

Motor 50 Hz - 2900 rpm				Q					
TYPE	Power		l/min	0	200	300	400	500	600
			l/sec	0	3,33	5,00	6,67	8,33	10,00
	HP	kW	m <sup>3</sup> /h	0	12	18	24	30	36
6L 23/03	4	3	H[m]	41	35	31	26	17	5
6L 23/04	5,5	4		55	46	41	34	22	6
6L 23/06	7,5	5,5		83	69	62	51	33	9
6L 23/08	10	7,5		110	92	82	68	45	12
6L 23/10	12,5	9,2		138	115	103	85	56	15
6L 23/12	15	11		165	138	124	102	67	18
6L 23/14	17,5	13		193	161	144	119	78	21
6L 23/16	20	15		220	184	165	136	89	24
6L 23/20	25	18,5		275	230	206	170	112	30
6L 23/24	30	22		330	276	247	204	134	36
6L 23/28	35	26		385	322	288	238	156	42
6L 23/33	40	30		454	380	340	281	184	50

### 6L 35

Motor 50 Hz - 2900 rpm				Q						
TYPE	Power		l/min	0	300	400	500	600	700	800
			l/sec	0	5,00	6,67	8,33	10,00	11,67	13,33
	HP	kW	m <sup>3</sup> /h	0	18	24	30	36	42	48
6L 35/04	7,5	5,5	H[m]	55	48	44	37	30	20	8
6L 35/05	10	7,5		68	60	54	47	37	24	11
6L 35/07	12,5	9,2		96	84	76	65	52	34	15
6L 35/08	15	11		109	96	87	75	60	39	17
6L 35/09	17,5	13		123	108	98	84	67	44	19
6L 35/11	20	15		150	132	120	103	82	54	23
6L 35/13	25	18,5		178	156	142	121	97	64	27
6L 35/16	30	22		219	192	174	149	119	78	34
6L 35/19	35	26		260	228	207	177	141	93	40
6L 35/22	40	30		301	264	240	205	164	108	46
6L 35/27	50	37		369	324	294	252	201	132	57





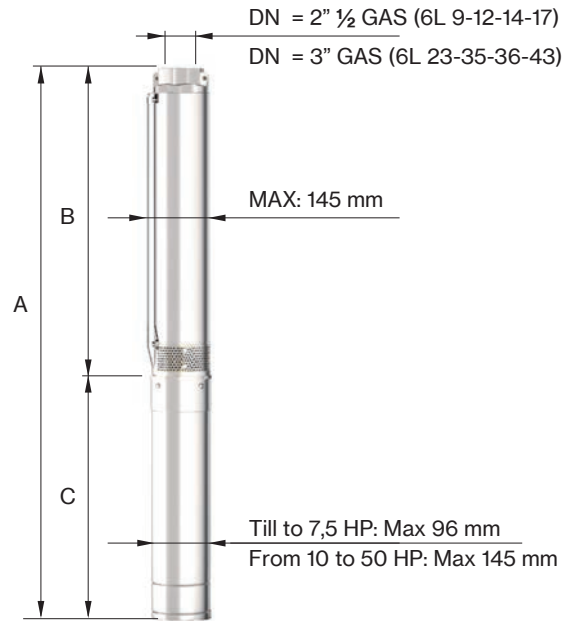
## 6L 36

Motor 50 Hz - 2900 rpm			Q						
TYPE	Power		l/min	0	300	400	500	600	700
			l/sec	0	5	6,67	8	10	11,67
	HP	kW	m <sup>3</sup> /h	0	18	24	30	36	42
6L 36/03	4,0	3	H[m]	37	30	28	25	22	17
6L 36/04	5,5	4		49	40	37	34	29	23
6L 36/06	7,5	5,5		74	59	56	50	43	35
6L 36/08	10	7,5		98	79	74	67	58	46
6L 36/10	12,5	9,2		123	99	93	84	72	58
6L 36/12	15	11		147	119	112	101	86	69
6L 36/14	17,5	13		172	139	130	118	101	81
6L 36/16	20	15		196	158	149	134	115	92
6L 36/20	25	18,5		245	198	186	168	144	115
6L 36/23	30	22		282	228	214	193	166	132
6L 36/28	35	26		343	277	260	235	202	161
6L 36/32	40	30		392	317	298	269	230	184
6L 36/39	50	37		478	386	363	328	281	224

## 6L 43

Motor 50 Hz - 2900 rpm			Q							
TYPE	Power		l/min	0	400	500	600	700	800	900
			l/sec	0	6,67	8,33	10	11,67	13,33	15
	HP	kW	m <sup>3</sup> /h	0	24	30	36	42	48	54
6L 43/03	5,5	4	H[m]	35	29	27	26	23	19	15
6L 43/04	7,5	5,5		46	39	37	34	30	25	20
6L 43/06	10	7,5		69	59	55	51	45	38	30
6L 43/07	12,5	9,2		81	68	64	60	53	44	35
6L 43/09	15	11		104	88	82	77	68	57	45
6L 43/11	17,5	13		127	107	101	94	83	70	55
6L 43/12	20	15		138	117	110	102	90	76	60
6L 43/15	25	18,5		173	146	137	128	113	95	75
6L 43/18	30	22		207	176	165	153	135	114	90
6L 43/22	35	26		253	215	201	187	165	140	110
6L 43/25	40	30		288	244	229	213	188	159	125
6L 43/31	50	37		357	302	284	264	233	197	155

## 6L



## 6L 9

Motor 50 Hz 2900 rpm	DIMENSIONS (mm)			Weight (kg)	
TYPE	A 3- 400 V	B	C 3-	M 3-	P
6L 9/06	955	503	452	15	16
6L 9/08	1112	555	557	19	17
6L 9/10	1204	607	597	22	18
6L 9/14	1409	711	698	27	20
6L 9/20	1568	867	701	55	23
6L 9/24	1754	1003	751	60	25
6L 9/29	1944	1133	811	65	28
6L 9/34	2104	1263	841	70	30
6L 9/39	2324	1393	931	75	33

Max Eff. % =	56
Max kW / St. =	0,370

Q (flow)	25%	50%	75%	100%
NPSH (m)	2,2	2,2	3	4,8

## 6L 12

Motor 50 Hz 2900 rpm	DIMENSIONS (mm)			Weight (kg)	
TYPE	A 3- 400 V	B	C 3-	M 3-	P
6L 12/05	921	469	452	15	14
6L 12/07	1078	521	557	19	16
6L 12/09	1170	573	597	22	18
6L 12/12	1349	651	698	27	21
6L 12/17	1456	755	701	55	25
6L 12/20	1584	833	751	60	28
6L 12/24	1780	969	811	65	32
6L 12/29	1914	1073	841	70	36
6L 12/33	2108	1177	931	75	40

Max Eff. % =	61
Max kW / St. =	0,451

Q (flow)	25%	50%	75%	100%
NPSH (m)	2,2	2,2	3	4,8



## 6L 6L 14

Motor 50 Hz 2900 rpm	DIMENSIONS (mm)			Weight (kg)	
TYPE	A 3- 400 V	B	C 3-	M 3-	P
6L 14/05	1079	522	557	19	17
6L 14/06	1154	557	597	22	17
6L 14/08	1325	627	698	27	19
6L 14/12	1468	767	701	55	21
6L 14/14	1588	837	751	60	23
6L 14/17	1753	942	811	65	25
6L 14/20	1920	1079	841	70	27
6L 14/23	2115	1184	931	75	29
6L 14/29	2385	1394	991	83	33
6L 14/34	2640	1569	1071	92	37

Max Eff. % =	62,5
Max kW / St. =	0,65

Q (flow)	25%	50%	75%	100%
NPSH (m)	2,2	2,2	3	4,8

## 6L 17

Motor 50 Hz 2900 rpm	DIMENSIONS (mm)			Weight (kg)	
TYPE	A 3- 400 V	B	C 3-	M 3-	P
6L 17/04	1044	487	557	19	16
6L 17/05	1119	522	597	22	17
6L 17/07	1290	592	698	27	19
6L 17/09	1363	662	701	55	21
6L 17/12	1518	767	751	60	23
6L 17/14	1648	837	811	65	25
6L 17/16	1748	907	841	70	27
6L 17/19	1943	1012	931	75	29
6L 17/23	2143	1152	991	83	33
6L 17/28	2398	1327	1071	92	37
6L 17/33	2683	1502	1181	100	41
6L 17/38	2928	1677	1251	108	45

Max Eff. % =	60
Max kW / St. =	0,793

Q (flow)	25%	50%	75%	100%
NPSH (m)	3	3	4	6

## 6L 23

Motor 50 Hz 2900 rpm	DIMENSIONS (mm)			Weight (kg)	
TYPE	A 3- 400 V	B	C 3-	M 3-	P
6L 23/03	1036	479	557	19	16
6L 23/04	1120	523	597	22	16
6L 23/06	1309	611	698	27	18
6L 23/08	1400	699	701	55	20
6L 23/10	1538	787	751	60	22
6L 23/12	1686	875	811	65	23
6L 23/14	1804	963	841	70	25
6L 23/16	1982	1051	931	75	27
6L 23/20	2218	1227	991	83	30
6L 23/24	2474	1403	1071	92	33
6L 23/28	2760	1579	1181	100	37
6L 23/33	3050	1799	1251	108	41

Max Eff. % =	60,5
Max kW / St. =	0,919

Q (flow)	25%	50%	75%	100%
NPSH (m)	3	3	4,5	6,6



## 6L

### 6L 35

Motor 50 Hz 2900 rpm	DIMENSIONS (mm)			Weight (kg)	
TYPE	A 3- 400 V	B	C 3-	M 3-	P
6L 35/04	1281	583	698	27	17
6L 35/05	1343	642	701	55	19
6L 35/07	1511	760	751	60	21
6L 35/08	1630	819	811	65	22
6L 35/09	1719	878	841	70	23
6L 35/11	1927	996	931	75	25
6L 35/13	2105	1114	991	83	27
6L 35/16	2362	1291	1071	92	31
6L 35/19	2649	1468	1181	100	34
6L 35/22	2896	1645	1251	108	37
6L 35/27	3281	1940	1341	118	43

Max Eff. % =	57
Max kW / St. =	1,39

Q (flow)	25%	50%	75%	100%
NPSH (m)	3,4	3,4	3,8	8

### 6L 36

Motor 50 Hz 2900 rpm	DIMENSIONS (mm)			Weight (kg)	
TYPE	A 3- 400 V	B	C 3-	M 3-	P
6L 36/03	1020	568	452	15	13
6L 36/04	1261	664	597	22	14
6L 36/06	1554	856	698	27	15,5
6L 36/08	1866	1048	818	32	16
6L 36/10	1991	1240	751	60	17,5
6L 36/12	2243	1432	811	65	19
6L 36/14	2465	1624	841	70	21
6L 36/16	2747	1816	931	75	25
6L 36/20	3191	2200	991	83	27
6L 36/23	3559	2488	1071	92	29
6L 36/28	4149	2968	1181	100	32
6L 36/32	4603	3352	1251	108	35
6L 36/39	5365	4024	1341	118	40

Max Eff. % =	76,3
Max kW / St. =	0,93

Q (flow)	25%	50%	75%	100%
NPSH (m)	3,4	3,4	4	6

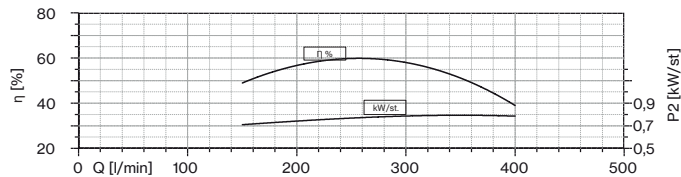
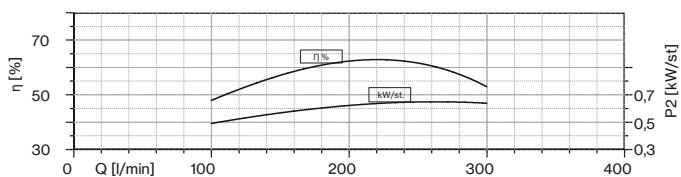
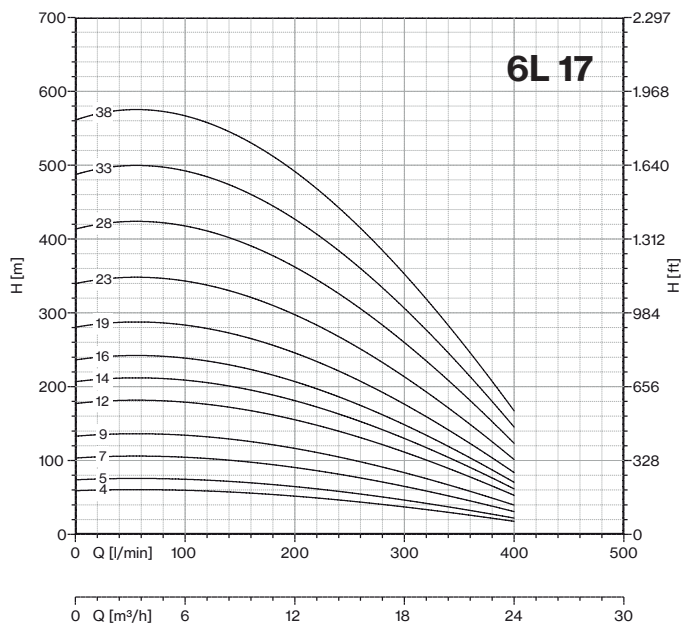
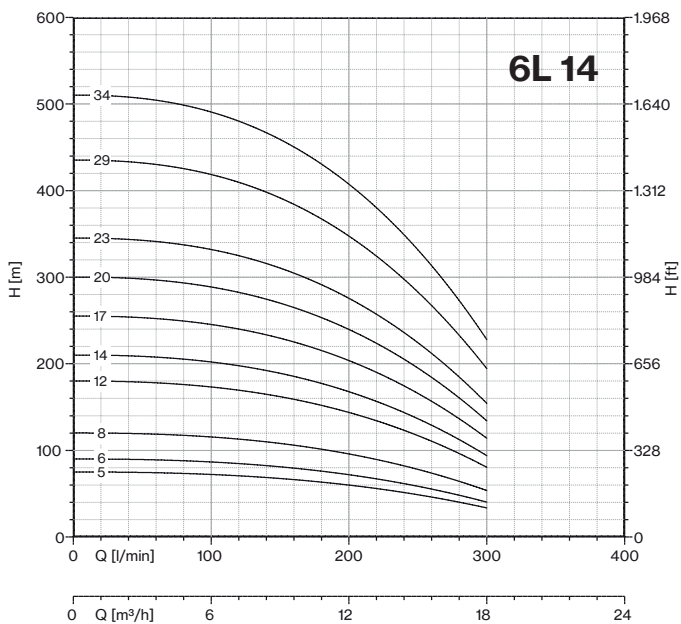
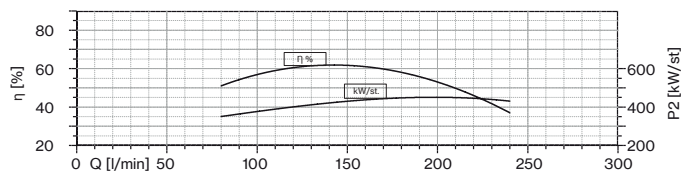
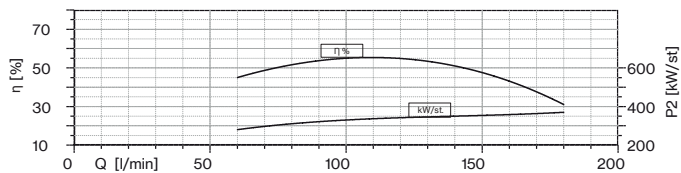
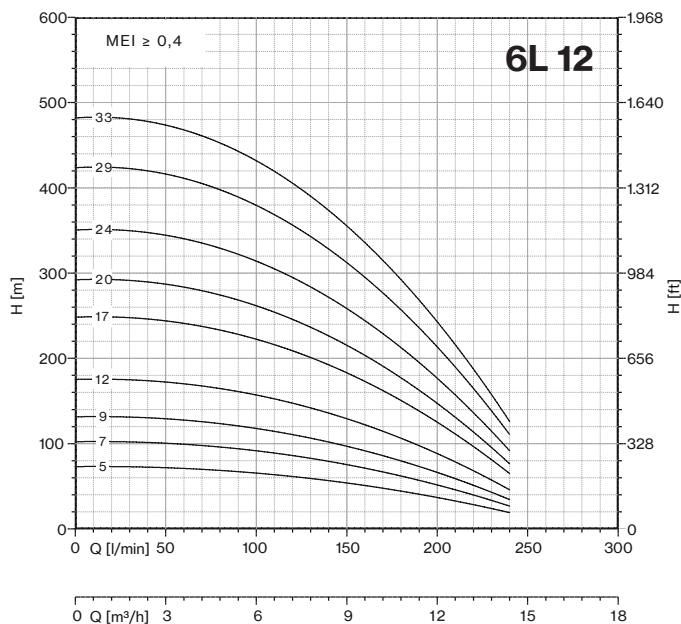
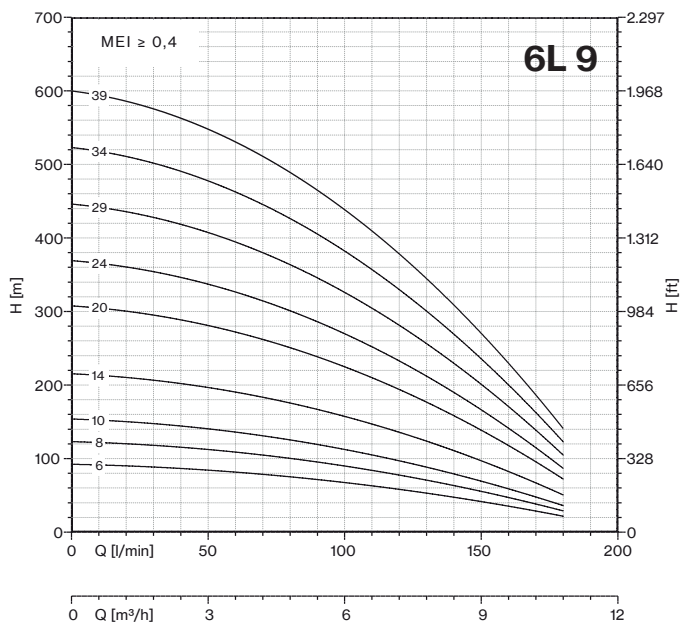
### 6L 43

Motor 50 Hz 2900 rpm	DIMENSIONS (mm)			Weight (kg)	
TYPE	A 3- 400 V	B	C 3-	M 3-	P
6L 43/03	1165	568	597	22	13
6L 43/04	1362	664	698	27	14
6L 43/06	1674	856	818	32	15,5
6L 43/07	1703	952	751	60	16
6L 43/09	1955	1144	811	65	17,5
6L 43/11	2177	1336	841	70	19
6L 43/12	2363	1432	931	75	21
6L 43/15	2711	1720	991	83	25
6L 43/18	3079	2008	1071	92	27
6L 43/22	3573	2392	1181	100	29
6L 43/25	3931	2680	1251	108	32
6L 43/31	4597	3256	1341	118	35

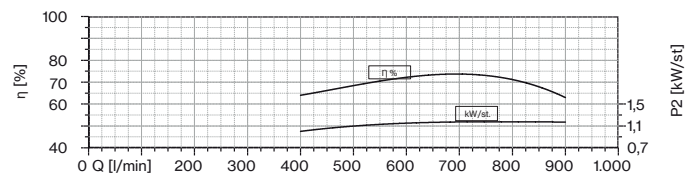
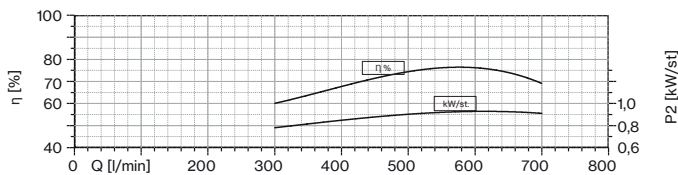
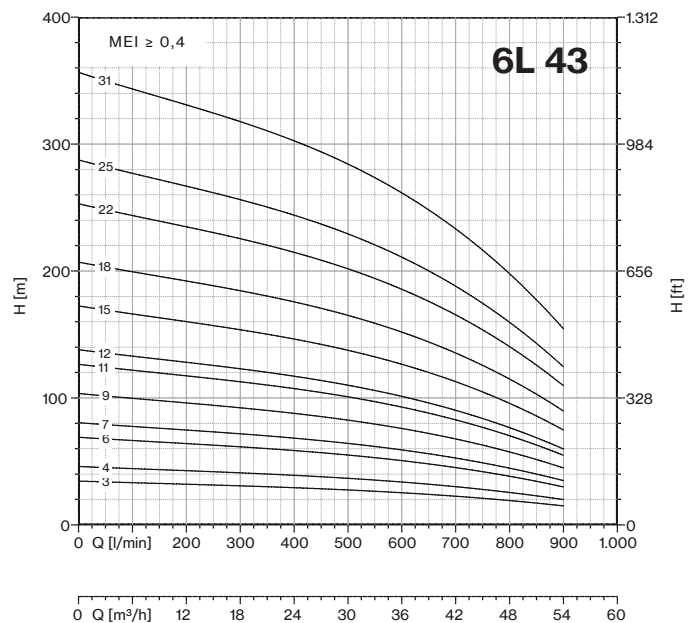
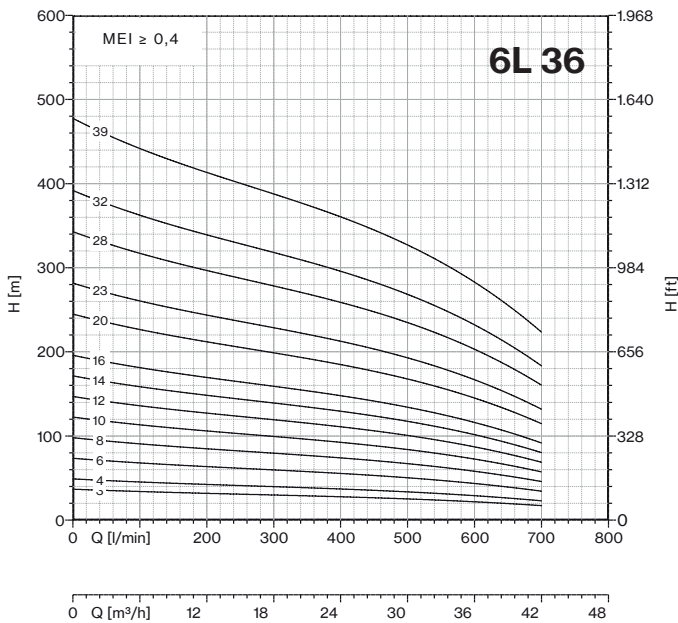
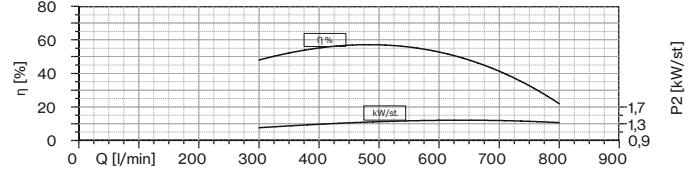
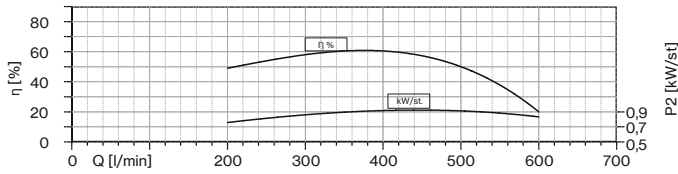
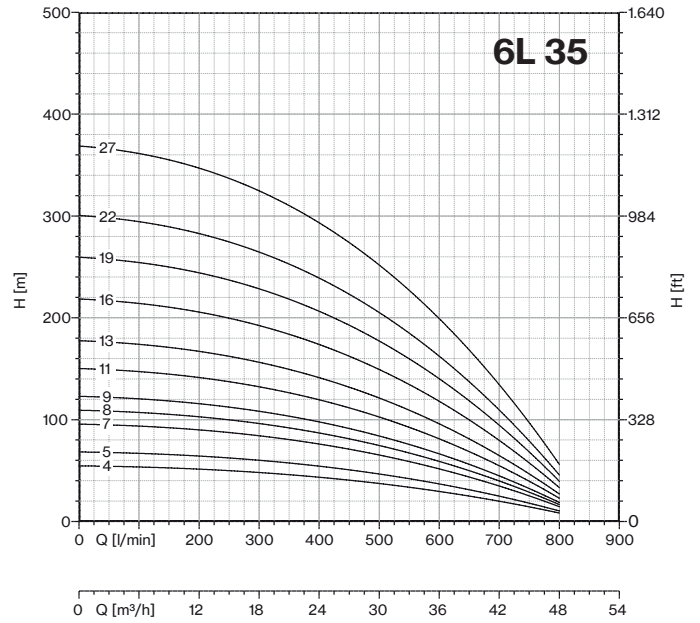
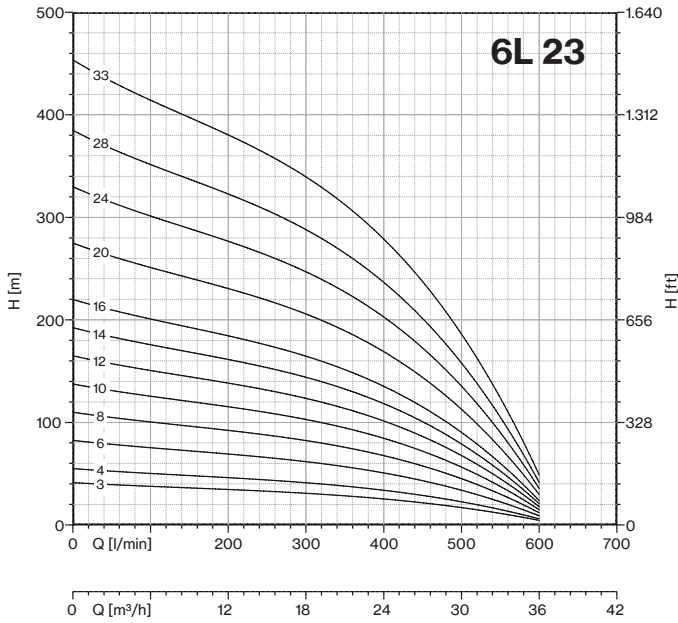
Max Eff. % =	74
Max kW / St. =	1,18

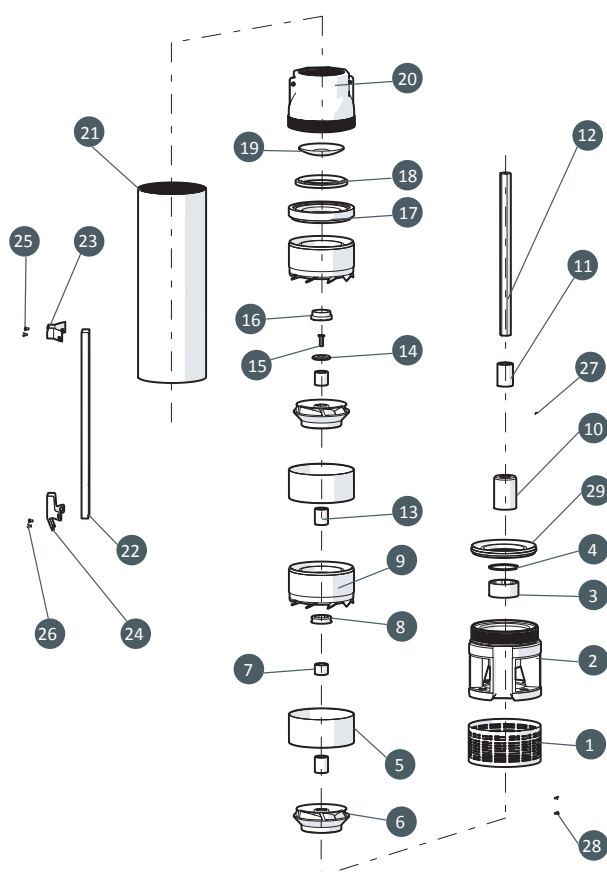
Q (flow)	25%	50%	75%	100%
NPSH (m)	3,4	3,6	4,5	6,5





# 6L





N. CODE	DESCRIPTION	MATERIAL
1	SUCTION STRAINER	AISI 304
2	SUCTION CAGE	CAST IRON
3	BEARING BUSH FOR SUCTION CAGE RUBBER NBR	RUBBER NBR
4	BEARING BUSH	AISI 304
5	INTERMEDIATE CASING	AISI 304
6	IMPELLER	NORYL GFN2
7	INTERMEDIATE SPACER	AISI 304
8	DIFFUSER BEARING BUSH	RUBBER NBR
9	DIFFUSER	NORYL GFN2 +RING AISI 304
10	JOINT	AISI 304
11	SPACER FIRST IMPELLER	NORYL GFN2
12	PUMP SHAFT	AISI 420
13	SPACER	NORYL GFN2
14	RING	AISI 304
15	SCREW	AISI 304
16	COUNTERTHRUST	PTFE+25%CARBON
17	RING GASKET VALVE	NORYL GFN2
18	GASKET VALVE	RUBBER NBR
19	CAP VALVE	AISI 304
20	DELIVERY BOWL	AISI 304
21	SLEEVE	AISI 304
22	COVER CABLE	AISI 304
23	UPPER FLANGE	AISI 304
24	LOWER FLANGE	AISI 304
25	N.2 SCREW M4X10 FOR UPPER FLANGE	AISI 304
26	N.2 SCREW M4X10 FOR LOWER FLANGE	AISI 304
27	SCREW	AISI 304
28	N.2 SCREW M4X8 SUCTION STRAINER	AISI 304
29	RING FOR SUCTION CAGE	NORYL GFN2 + RING AISI 304

# 6-8-10LMG lines

## Deepwell Borehole

Submersible multistage centrifugal pumps for 6", 8", 10" wells. Check valve built into the delivery outlet. Pump flange for coupling with motors are made according to NEMA standards. Most common applications are civil and agricultural.



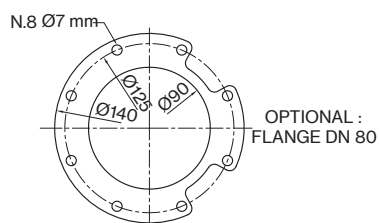
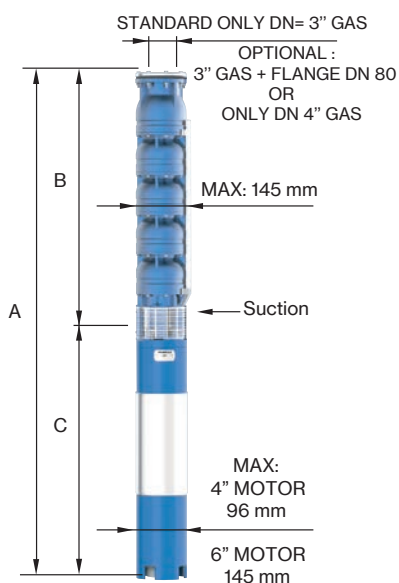
### Construction features

<b>Suction and delivery outlet</b>	cast iron GG25
<b>Valve</b>	stainless steel AISI 304
<b>Impellers and diffusers</b>	cast iron GG25; AISI 304 impeller on request
<b>Upper bushings</b>	NBR rubber
<b>Shaft pump side</b>	stainless steel AISI 304
<b>Quantity of sand in the water</b>	max 50 g/m <sup>3</sup>





Motor 50 Hz - 2900 rpm				Q							
TYPE	Power		400 V	l/min	0	300	400	500	600	700	800
	HP	kW			0	5,00	6,67	8,33	10,00	11,67	13,33
	A	m <sup>3</sup> /h	0	18	24	30	36	42	48		
6LMG 38/03	5,5	4	7,5	H[m]	43	36	33	30	27	22	15
6LMG 38/04	7,5	5,5	12,5		57	48	44	40	37	30	20
6LMG 38/05	10	7,5	17,5		71	60	55	50	46	37	25
6LMG 38/06	10	7,5	17,5		86	72	66	60	55	45	30
6LMG 38/07	12,5	9,2	21		100	84	77	70	64	52	35
6LMG 38/08	15	11	24,5		114	96	88	80	73	59	40
6LMG 38/09	15	11	24,5		129	108	99	90	82	67	45
6LMG 38/10	17,5	13	28		143	120	110	100	91	74	50
6LMG 38/11	17,5	13	28		157	132	121	110	101	82	55
6LMG 38/12	20	15	32		171	144	132	120	110	89	60
6LMG 38/13	20	15	32		186	156	143	130	119	97	65
6LMG 38/14	25	18,5	40		200	168	154	140	128	104	70
6LMG 38/15	25	18,5	40		214	180	165	150	137	111	75



FOR COMMERCIAL TUBE  
 EXTERNAL DIAMETER: 88,9 mm

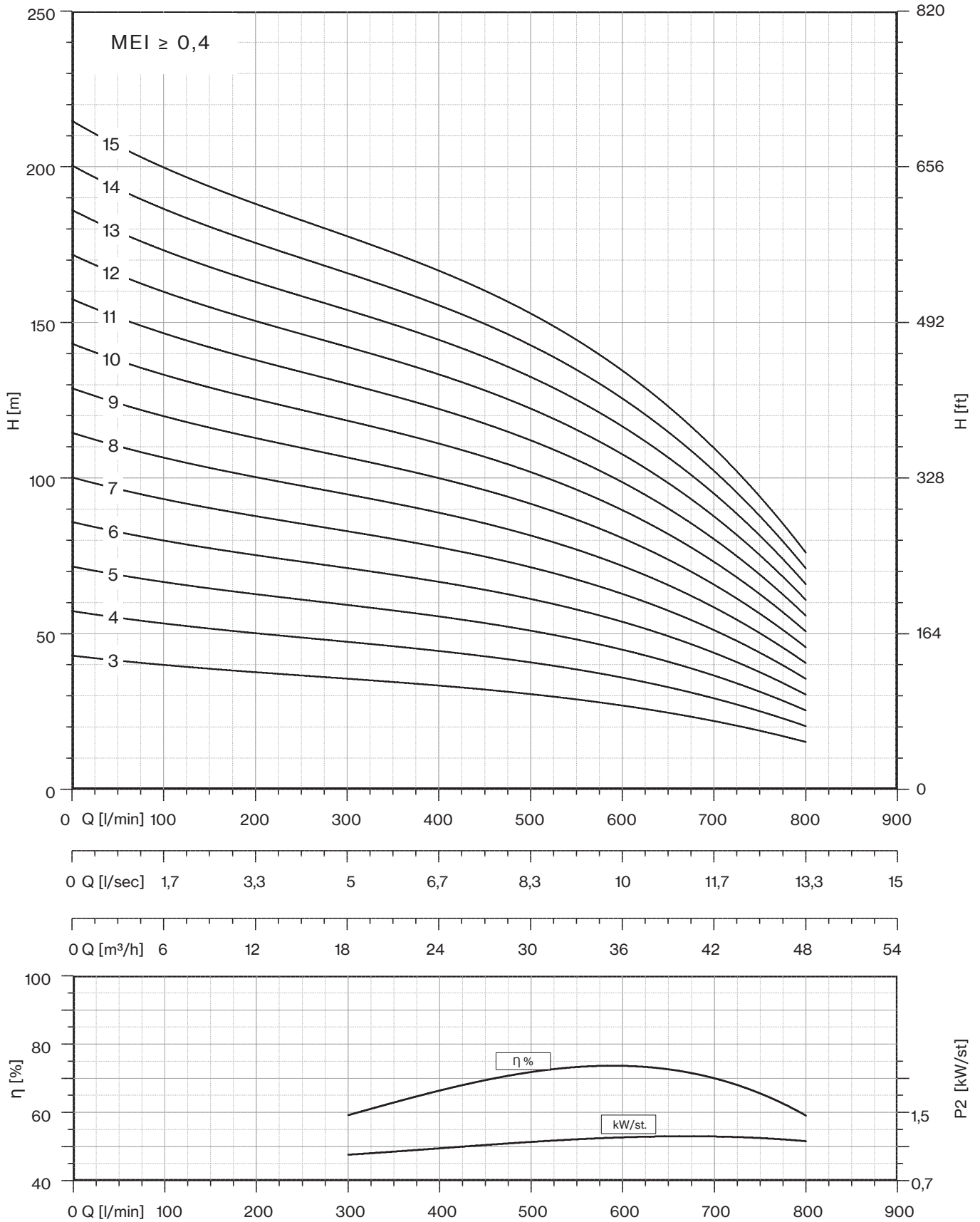
Motor 50 Hz 2900 rpm	DIMENSIONS (mm)			Weight (kg)	
TYPE	A	B	C	M	P
6LMG 38/03	1242	596	646	40	19
6LMG 38/04	1368	697	671	45	23
6LMG 38/05	1499	798	701	55	28
6LMG 38/06	1600	899	701	55	32
6LMG 38/07	1751	1000	751	60	36
6LMG 38/08	1912	1101	811	65	40
6LMG 38/09	2013	1202	811	65	44
6LMG 38/10	2144	1303	841	70	48
6LMG 38/11	2245	1404	841	70	52
6LMG 38/12	2436	1505	931	75	56
6LMG 38/13	2537	1606	931	75	60
6LMG 38/14	2698	1707	991	83	64
6LMG 38/15	2799	1808	991	83	69

Max Eff. % =	74
Max kW / St. =	1,22

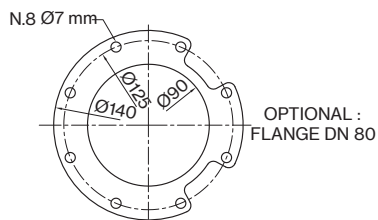
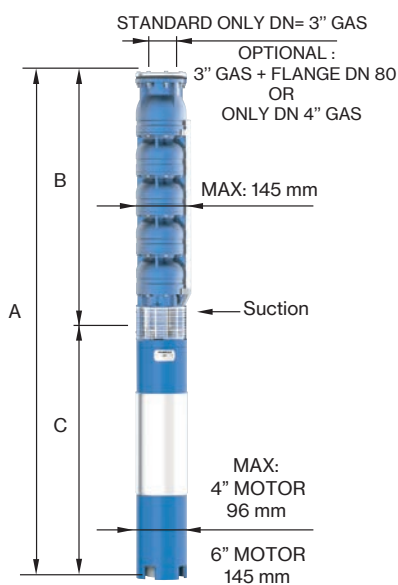
Q (flow)	25%	50%	75%	100%
NPSH (m)	3,4	3,4	3,8	8



# 6LMG 38



Motor 50 Hz - 2900 rpm				Q							
TYPE	Power		400 V	l/min	0	300	400	500	600	700	800
	HP	kW			0	5,00	6,67	8,33	10,00	11,67	13,33
			A	m <sup>3</sup> /h	0	18	24	30	36	42	48
6LMG 38/16	30	22	47,5	H[m]	229	192	176	160	146	119	80
6LMG 38/17	30	22	47,5		243	204	187	170	155	126	85
6LMG 38/18	30	22	47,5		257	216	198	180	165	134	90
6LMG 38/19	35	26	55		271	228	209	190	174	141	95
6LMG 38/20	35	26	55		286	240	220	200	183	149	100
6LMG 38/21	35	26	55		300	252	231	210	192	156	105
6LMG 38/22	35	26	55		314	264	242	220	201	163	110
6LMG 38/23	40	30	62,5		329	276	253	230	210	171	115
6LMG 38/24	40	30	62,5		343	288	264	240	219	178	120
6LMG 38/25	40	30	62,5		357	300	275	250	229	186	125
6LMG 38/26	50	37	78		371	312	286	260	238	193	130
6LMG 38/27	50	37	78		386	324	297	270	247	201	135
6LMG 38/28	50	37	78		400	336	308	280	256	208	140
6LMG 38/29	50	37	78		414	348	319	290	265	215	145
6LMG 38/30	50	37	78	429	360	330	300	274	223	150	



FOR COMMERCIAL TUBE  
 EXTERNAL DIAMETER: 88,9 mm

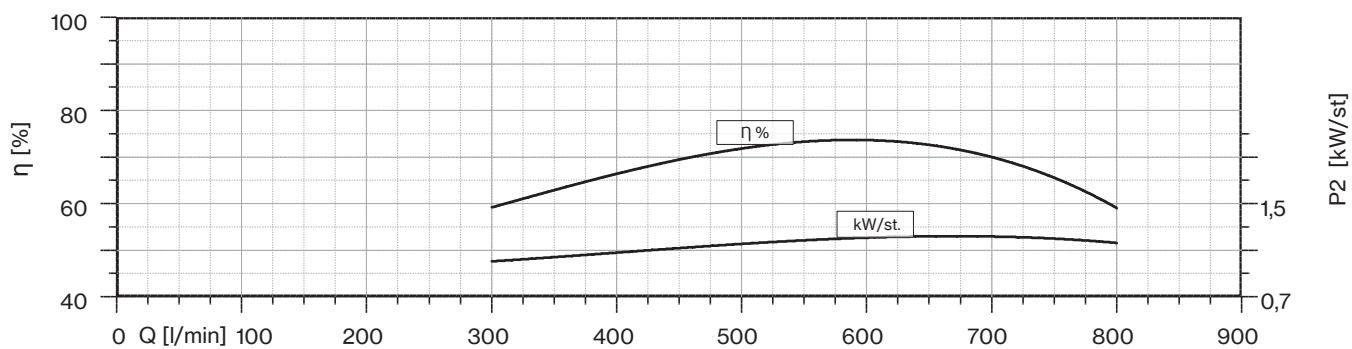
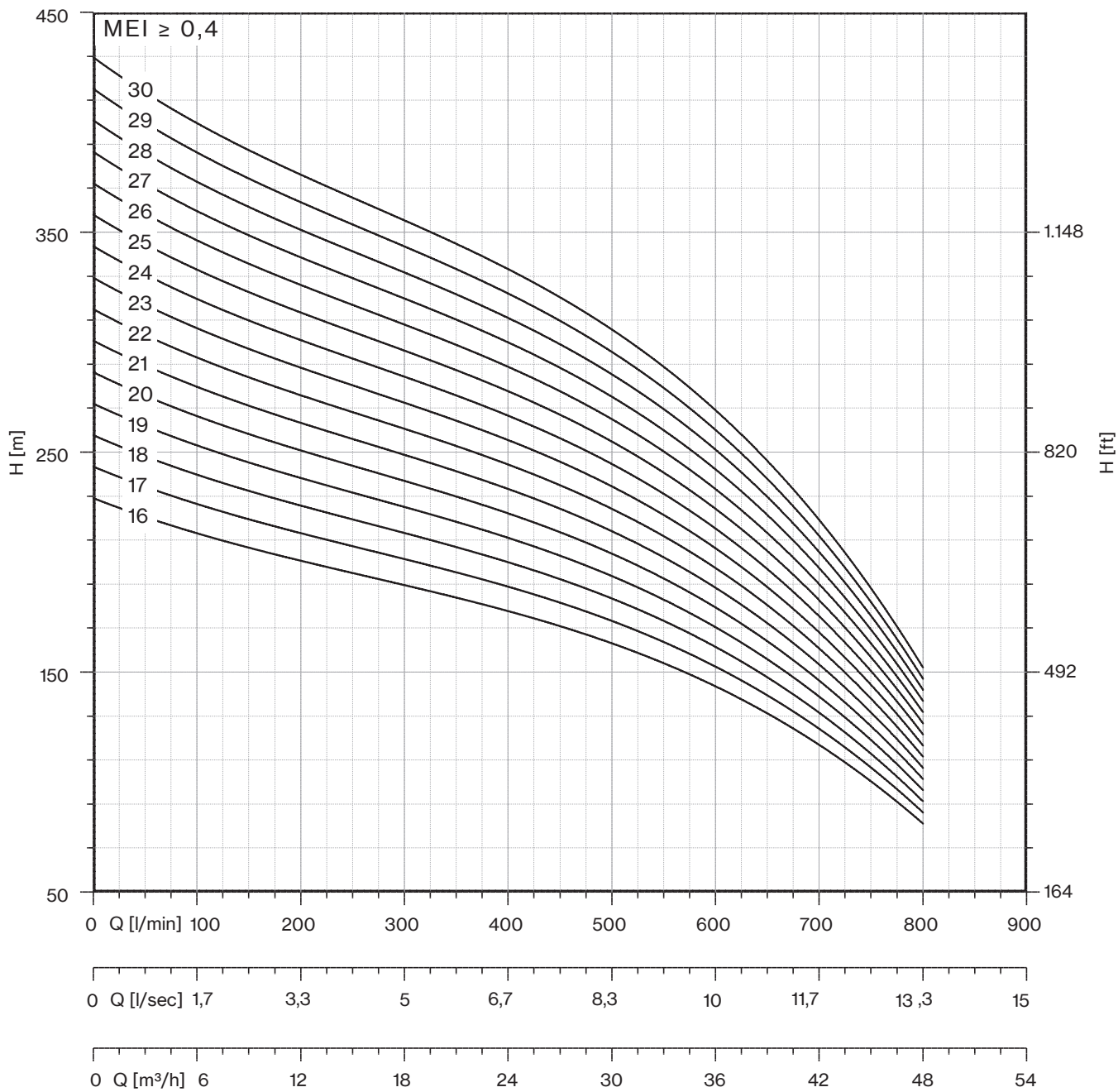
Motor 50 Hz 2900 rpm	DIMENSIONS (mm)			Weight (kg)	
TYPE	A	B	C	M	P
6LMG 38/16	2980	1909	1071	92	73
6LMG 38/17	3081	2010	1071	92	77
6LMG 38/18	3182	2111	1071	92	81
6LMG 38/19	3393	2212	1181	100	85
6LMG 38/20	3494	2313	1181	100	89
6LMG 38/21	3595	2414	1181	100	93
6LMG 38/22	3696	2515	1181	100	97
6LMG 38/23	3867	2616	1251	108	101
6LMG 38/24	3968	2717	1251	108	105
6LMG 38/25	4069	2818	1251	108	110
6LMG 38/26	4260	2919	1341	118	114
6LMG 38/27	4361	3020	1341	118	118
6LMG 38/28	4462	3121	1341	118	122
6LMG 38/29	4563	3222	1341	118	126
6LMG 38/30	4664	3323	1341	118	130

Max Eff. % =	74
Max kW / St. =	1,22

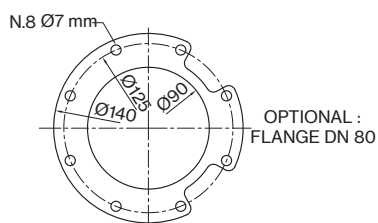
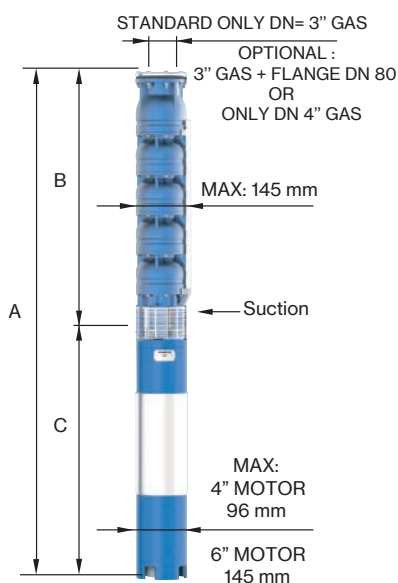
Q (flow)	25%	50%	75%	100%
NPSH (m)	3,4	3,4	3,8	8



# 6LMG 38



Motor 50 Hz - 2900 rpm				Q								
TYPE	Power		400 V	l/min	0	400	500	600	700	800	900	1000
	HP	kW			l/sec	0	6,67	8,33	10,00	11,67	13,33	15,00
	A	m <sup>3</sup> /h	0	24	30	36	42	48	54	60		
6LMG 48/03	5,5	4	7,5	H[m]	40	32	31	29	26	22	17	10
6LMG 48/04	7,5	5,5	12,5		53	43	41	38	34	29	22	13
6LMG 48/05	10	7,5	17,5		67	53	51	48	43	36	28	17
6LMG 48/06	12,5	9,2	21		80	64	61	57	51	43	33	20
6LMG 48/07	12,5	9,2	21		93	75	71	67	60	50	39	23
6LMG 48/08	15	11	24,5		107	85	81	76	68	57	44	27
6LMG 48/09	17,5	13	28		120	96	92	86	77	65	50	30
6LMG 48/10	17,5	13	28		133	107	102	95	85	72	55	33
6LMG 48/11	20	15	32		147	117	112	105	94	79	61	37
6LMG 48/12	20	15	32		160	128	122	114	102	86	66	40
6LMG 48/13	25	18,5	40		173	139	132	124	111	93	72	43
6LMG 48/14	25	18,5	40		187	149	142	133	119	100	77	47
6LMG 48/15	30	22	47,5		200	160	153	143	128	108	83	50



FOR COMMERCIAL TUBE  
 EXTERNAL DIAMETER: 88,9 mm

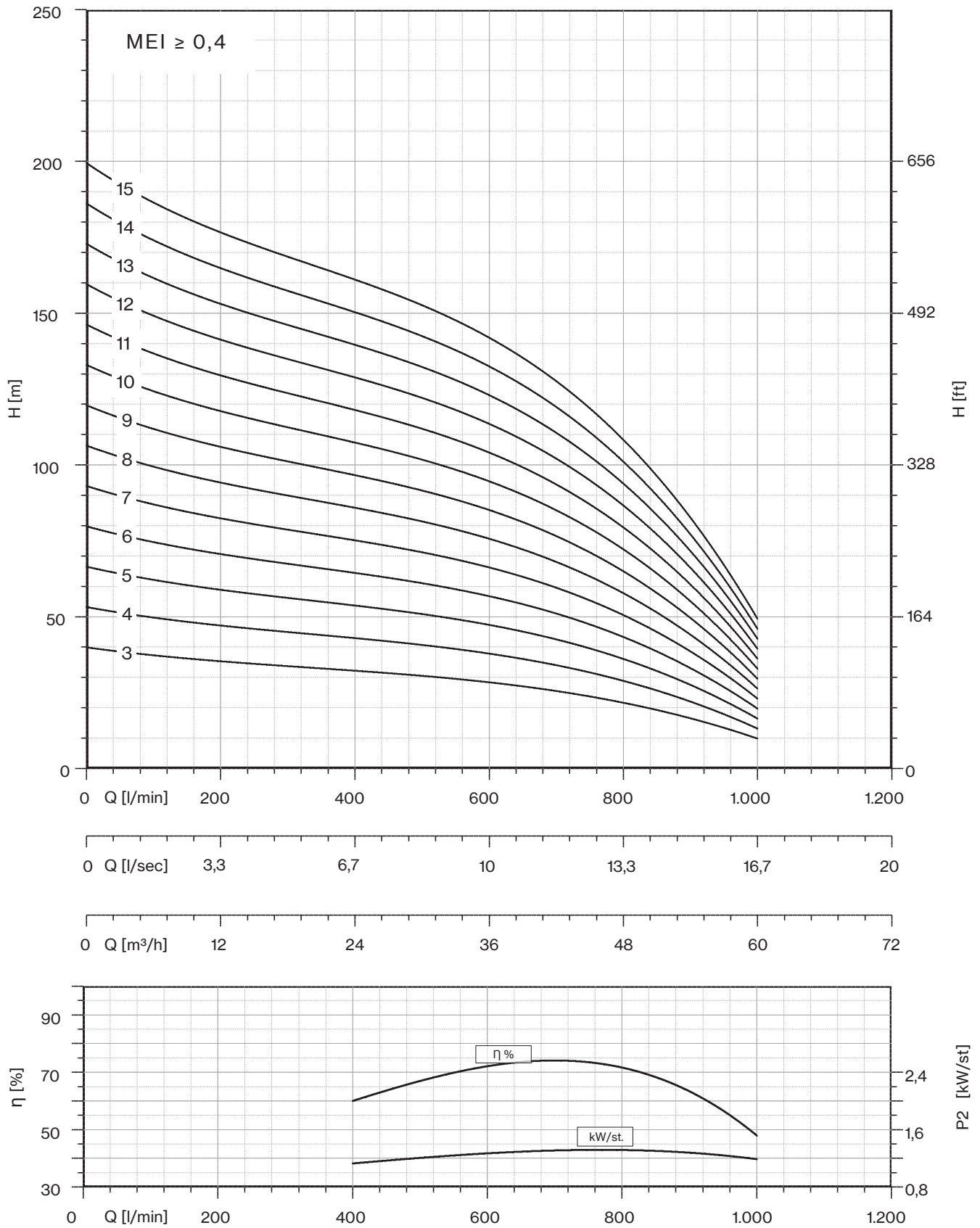
Motor 50 Hz 2900 rpm	DIMENSIONS (mm)			Weight (kg)	
TYPE	A	B	C	M	P
6LMG 48/03	1242	596	646	40	19
6LMG 48/04	1368	697	671	45	23
6LMG 48/05	1499	798	701	55	28
6LMG 48/06	1650	899	751	60	32
6LMG 48/07	1751	1000	751	60	36
6LMG 48/08	1912	1101	811	65	40
6LMG 48/09	2043	1202	841	70	44
6LMG 48/10	2144	1303	841	70	48
6LMG 48/11	2335	1404	931	75	52
6LMG 48/12	2436	1505	931	75	56
6LMG 48/13	2597	1606	991	83	60
6LMG 48/14	2698	1707	991	83	64
6LMG 48/15	2879	1808	1071	92	69

Max Eff. % =	74
Max kW / St. =	1,32

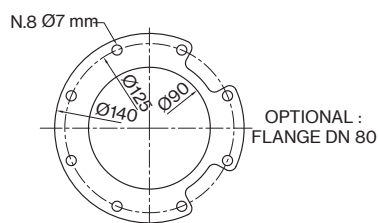
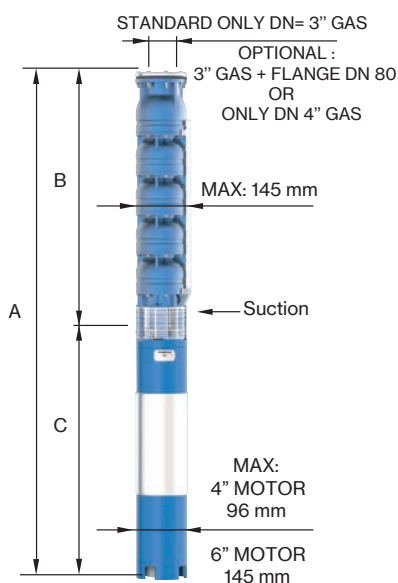
Q (flow)	25%	50%	75%	100%
NPSH (m)	3,45	3,5	3,8	5



# 6LMG 48



Motor 50 Hz - 2900 rpm				Q								
TYPE	Power		400 V	l/min	0	400	500	600	700	800	900	1000
	HP	kW			A	l/sec	0	6,67	8,33	10,00	11,67	13,33
					m³/h	0	24	30	36	42	48	54
6LMG 48/16	30	22	47,5	H[m]	213	171	163	152	136	115	88	53
6LMG 48/17	30	22	47,5		227	181	173	162	145	122	94	57
6LMG 48/18	35	26	55		240	192	183	171	153	129	99	60
6LMG 48/19	35	26	55		253	203	193	181	162	136	105	63
6LMG 48/20	35	26	55		267	213	203	190	170	143	110	67
6LMG 48/21	40	30	62,5		280	224	214	200	179	151	116	70
6LMG 48/22	40	30	62,5		293	235	224	209	187	158	121	73
6LMG 48/23	40	30	62,5		307	245	234	219	196	165	127	77
6LMG 48/24	50	37	78		320	256	244	228	204	172	132	80
6LMG 48/25	50	37	78		333	267	254	238	213	179	138	83
6LMG 48/26	50	37	78		347	277	264	247	221	186	143	87
6LMG 48/27	50	37	78		360	288	275	257	230	194	149	90
6LMG 48/28	50	37	78		373	299	285	266	238	201	154	93



FOR COMMERCIAL TUBE  
 EXTERNAL DIAMETER: 88,9 mm

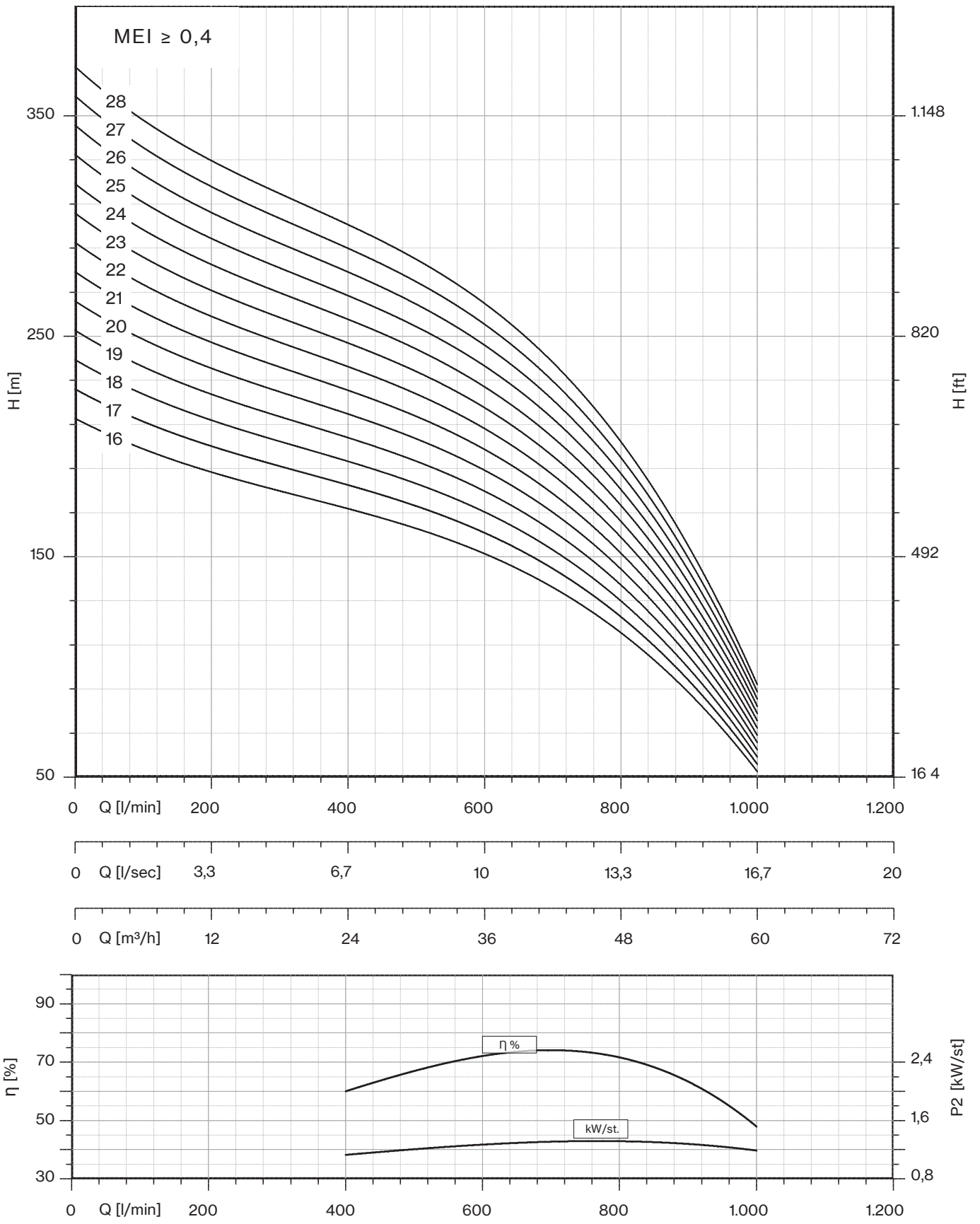
Motor 50 Hz 2900 rpm	DIMENSIONS (mm)			Weight (kg)	
TYPE	A	B	C	M	P
6LMG 48/16	2980	1909	1071	92	73
6LMG 48/17	3081	2010	1071	92	77
6LMG 48/18	3292	2111	1181	100	81
6LMG 48/19	3393	2212	1181	100	85
6LMG 48/20	3494	2313	1181	100	89
6LMG 48/21	3665	2414	1251	108	93
6LMG 48/22	3766	2515	1251	108	97
6LMG 48/23	3867	2616	1251	108	101
6LMG 48/24	4058	2717	1341	118	105
6LMG 48/25	4159	2818	1341	118	110
6LMG 48/26	4260	2919	1341	118	114
6LMG 48/27	4361	3020	1341	118	118
6LMG 48/28	4462	3121	1341	118	122

Max Eff. % =	74
Max kW / St. =	1,32

Q (flow)	25%	50%	75%	100%
NPSH (m)	3,45	3,5	3,8	5

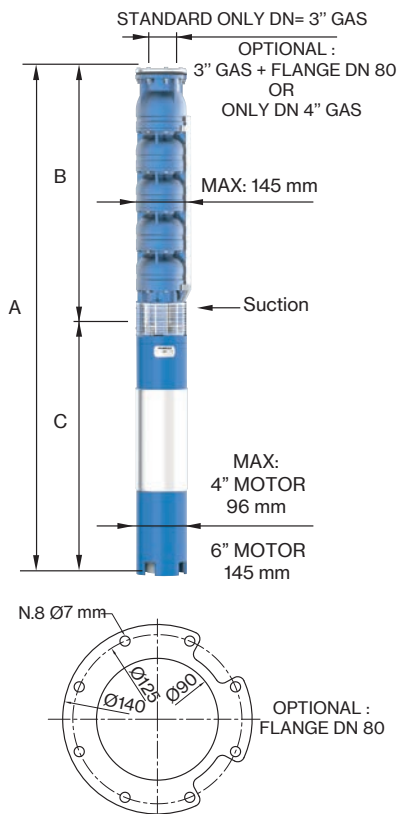


# 6LMG 48





Motor 50 Hz - 2900 rpm				Q						
TYPE	Power		400 V A	l/min l/sec m <sup>3</sup> /h	0	500	600	800	1000	1200
	HP	kW			0	8,33	10,00	13,33	16,67	20,00
6LMG 60/03	7,5	5,5	12,5	H[m]	39	30	28	24	18	8
6LMG 60/04	10	7,5	17,5		52	40	38	32	24	10
6LMG 60/05	10	7,5	17,5		65	50	47	40	30	13
6LMG 60/06	12,5	9,2	21		78	60	56	48	35	16
6LMG 60/07	15	11	24,5		91	70	66	56	41	18
6LMG 60/08	17,5	13	28		104	80	75	64	47	21
6LMG 60/09	17,5	13	28		117	90	85	72	53	23
6LMG 60/10	20	15	32		130	100	94	80	59	26
6LMG 60/11	25	18,5	40		143	110	103	87	65	29
6LMG 60/12	25	18,5	40		156	120	113	95	71	31
6LMG 60/13	25	18,5	40		169	130	122	103	77	34
6LMG 60/14	30	22	47,5		182	140	132	111	83	36
6LMG 60/15	30	22	47,5		195	150	141	119	89	39
6LMG 60/16	35	26	55		208	160	150	127	94	42
6LMG 60/17	35	26	55		221	170	160	135	100	44
6LMG 60/18	35	26	55		234	180	169	143	106	47
6LMG 60/19	40	30	62,5		247	190	179	151	112	49
6LMG 60/20	40	30	62,5		260	200	188	159	118	52
6LMG 60/21	40	30	62,5		273	210	197	167	124	55
6LMG 60/22	50	37	78		286	220	207	175	130	57
6LMG 60/23	50	37	78		299	230	216	183	136	60
6LMG 60/24	50	37	78		312	240	226	191	142	62
6LMG 60/25	50	37	78		325	250	235	199	148	65



FOR COMMERCIAL TUBE  
EXTERNAL DIAMETER: 88,9 mm

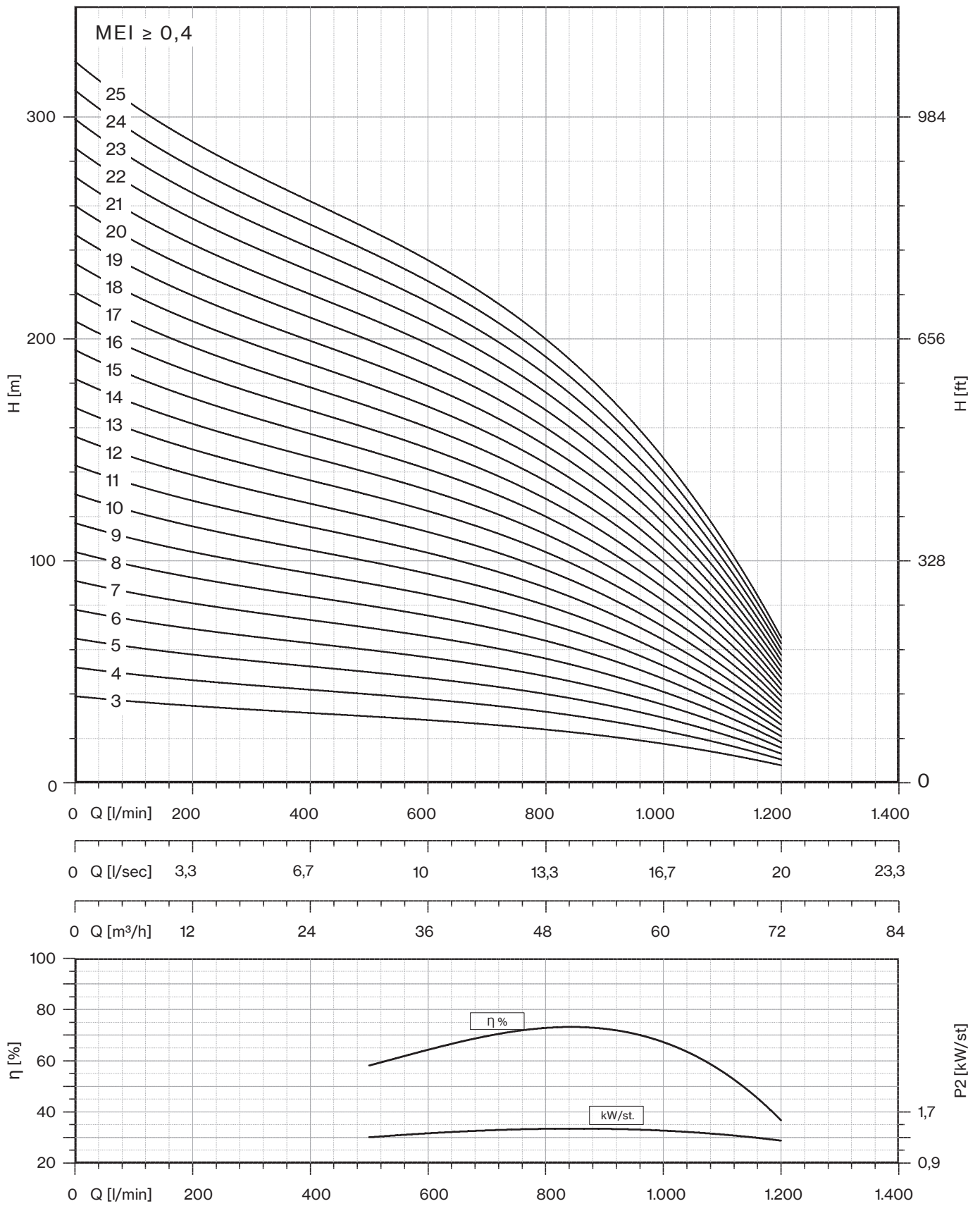
Motor 50 Hz 2900 rpm	DIMENSIONS (mm)			Weight (kg)	
	TYPE	A	B	C	M
6LMG 60/03	1285	614	671	45	21
6LMG 60/04	1422	721	701	55	25
6LMG 60/05	1529	828	701	55	30
6LMG 60/06	1686	935	751	60	34
6LMG 60/07	1853	1042	811	65	39
6LMG 60/08	1990	1149	841	70	43
6LMG 60/09	2097	1256	841	70	48
6LMG 60/10	2294	1363	931	75	52
6LMG 60/11	2461	1470	991	83	57
6LMG 60/12	2568	1577	991	83	61
6LMG 60/13	2675	1684	991	83	66
6LMG 60/14	2862	1791	1071	92	70
6LMG 60/15	2969	1898	1071	92	75
6LMG 60/16	3186	2005	1181	100	79
6LMG 60/17	3293	2112	1181	100	84
6LMG 60/18	3400	2219	1181	100	88
6LMG 60/19	3577	2326	1251	108	93
6LMG 60/20	3684	2433	1251	108	97
6LMG 60/21	3791	2540	1251	108	102
6LMG 60/22	3988	2647	1341	118	106
6LMG 60/23	4095	2754	1341	118	111
6LMG 60/24	4202	2861	1341	118	115
6LMG 60/25	4309	2968	1341	118	120

Max Eff. % =	73,6
Max kW / St. =	1,44

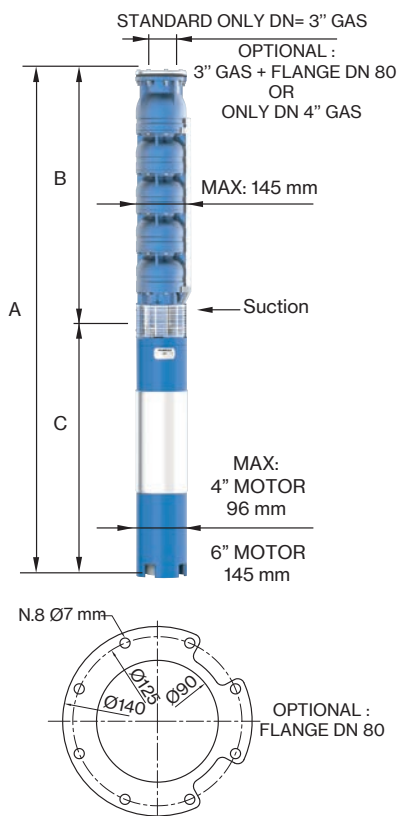
Q (flow)	25%	50%	75%	100%
NPSH (m)	3,8	3,8	5,1	7,1



# 6LMG 60



Motor 50 Hz - 2900 rpm				Q						
TYPE	Power		400 V	l/min l/sec m³/h	0	600	800	1000	1200	1400
	HP	kW			A	0	10,00	13,33	16,67	20,00
					0	36	48	60	72	84
6LMG 70/03	7,5	5,5	12,5	H[m]	39	29	26	23	17	6
6LMG 70/04	10	7,5	17,5		52	39	35	31	23	8
6LMG 70/05	12,5	9,2	21		65	49	44	39	29	10
6LMG 70/06	15	11	24,5		78	59	53	47	34	12
6LMG 70/07	17,5	13	28		91	69	62	55	40	14
6LMG 70/08	20	15	32		104	78	70	62	46	16
6LMG 70/09	20	15	32		117	88	79	70	51	18
6LMG 70/10	25	18,5	40		130	98	88	78	57	20
6LMG 70/11	30	22	47,5		143	108	97	86	63	22
6LMG 70/12	30	22	47,5		156	118	106	94	68	24
6LMG 70/13	30	22	47,5		169	127	114	101	74	26
6LMG 70/14	35	26	55		182	137	123	109	80	28
6LMG 70/15	35	26	55		195	147	132	117	86	30
6LMG 70/16	40	30	62,5		208	157	141	125	91	32
6LMG 70/17	40	30	62,5		221	167	150	133	97	34
6LMG 70/18	50	37	78		234	176	158	140	103	36
6LMG 70/19	50	37	78		247	186	167	148	108	38
6LMG 70/20	50	37	78		260	196	176	156	114	40
6LMG 70/21	50	37	78		273	206	185	164	120	42



FOR COMMERCIAL TUBE  
EXTERNAL DIAMETER: 88,9 mm

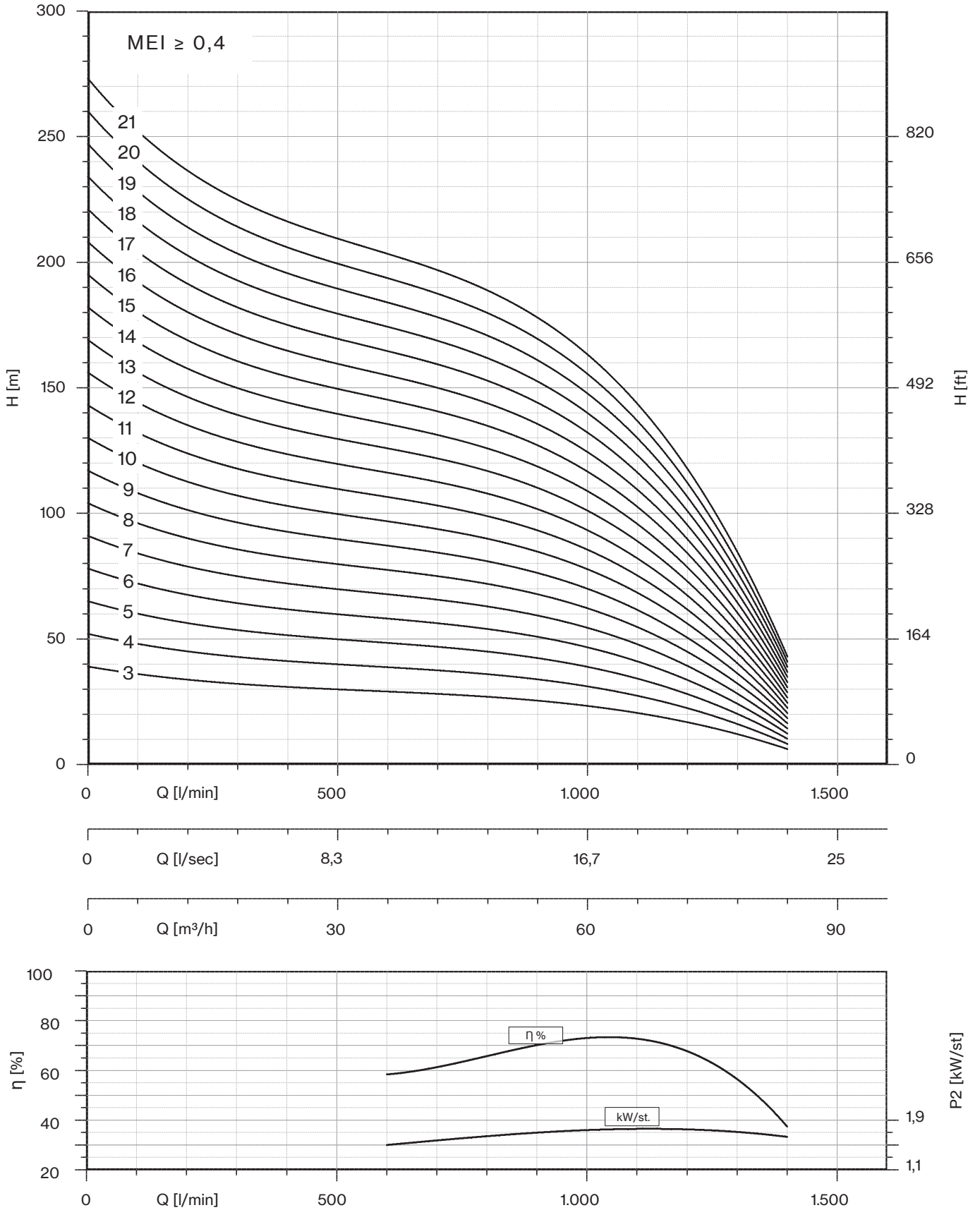
Motor 50 Hz 2900 rpm	DIMENSIONS (mm)			Weight (kg)	
	TYPE	A	B	C	M
6LMG 70/03	1285	614	671	45	21
6LMG 70/04	1422	721	701	55	25
6LMG 70/05	1579	828	751	60	30
6LMG 70/06	1746	935	811	65	34
6LMG 70/07	1883	1042	841	70	39
6LMG 70/08	2080	1149	931	75	43
6LMG 70/09	2187	1256	931	75	48
6LMG 70/10	2354	1363	991	83	52
6LMG 70/11	2541	1470	1071	92	57
6LMG 70/12	2648	1577	1071	92	61
6LMG 70/13	2755	1684	1071	92	66
6LMG 70/14	2972	1791	1181	100	70
6LMG 70/15	3079	1898	1181	100	75
6LMG 70/16	3256	2005	1251	108	79
6LMG 70/17	3363	2112	1251	108	84
6LMG 70/18	3560	2219	1341	118	88
6LMG 70/19	3667	2326	1341	118	93
6LMG 70/20	3774	2433	1341	118	97
6LMG 70/21	3881	2540	1341	118	102

Max Eff. % =	74
Max kW / St. =	1,74

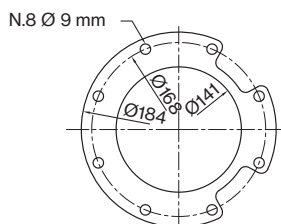
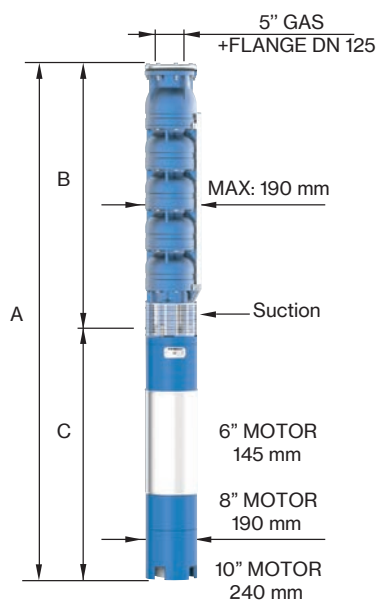
Q (flow)	25%	50%	75%	100%
NPSH (m)	3,8	3,8	5,1	7,1



# 6LMG 70



Motor 50 Hz - 2900 rpm				Q							
TYPE	Power		400 V	l/min	0	600	800	1000	1200	1400	1600
	HP	kW		l/sec	0	10,00	13,33	16,67	20,00	23,33	26,67
	A	m <sup>3</sup> /h	0	36	48	60	72	84	96		
8LMG 80/01	7,5	5,5	12,5	H[m]	26	22	21	19	18	15	11
8LMG 80/02	15	11	24,5		53	45	42	39	35	30	23
8LMG 80/03	20	15	32		79	67	63	58	53	44	34
8LMG 80/04	30	22	47,5		105	89	84	78	70	59	45
8LMG 80/05	35	26	55		131	111	105	97	88	74	56
8LMG 80/06	40	30	62,5		158	134	126	116	105	89	68
8LMG 80/07	50	37	78		184	156	147	136	123	103	79
8LMG 80/08	60	45	92		210	178	168	155	140	118	90
8LMG 80/09	60	45	92		236	200	189	174	158	133	101
8LMG 80/10	75	55	113,5		263	223	210	194	175	148	113
8LMG 80/11	75	55	113,5		289	245	231	213	193	162	124
8LMG 80/12	90	66	134,5		315	267	252	233	210	177	135
8LMG 80/13	90	66	134,5		341	289	273	252	228	192	146
8LMG 80/14	100	75	149,5		368	312	294	271	245	207	158
8LMG 80/15	100	75	149,5		394	334	315	291	263	221	169



FOR COMMERCIAL TUBE  
EXTERNAL DIAMETER: 139,7 mm

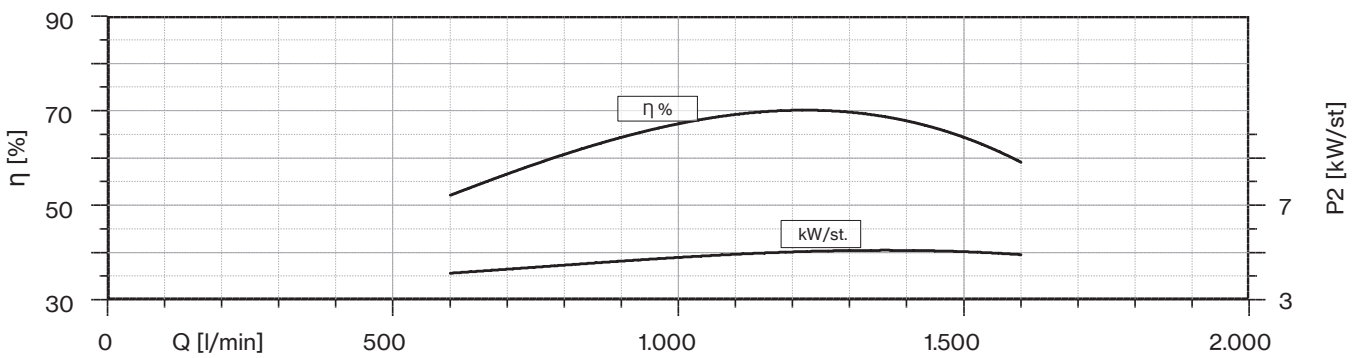
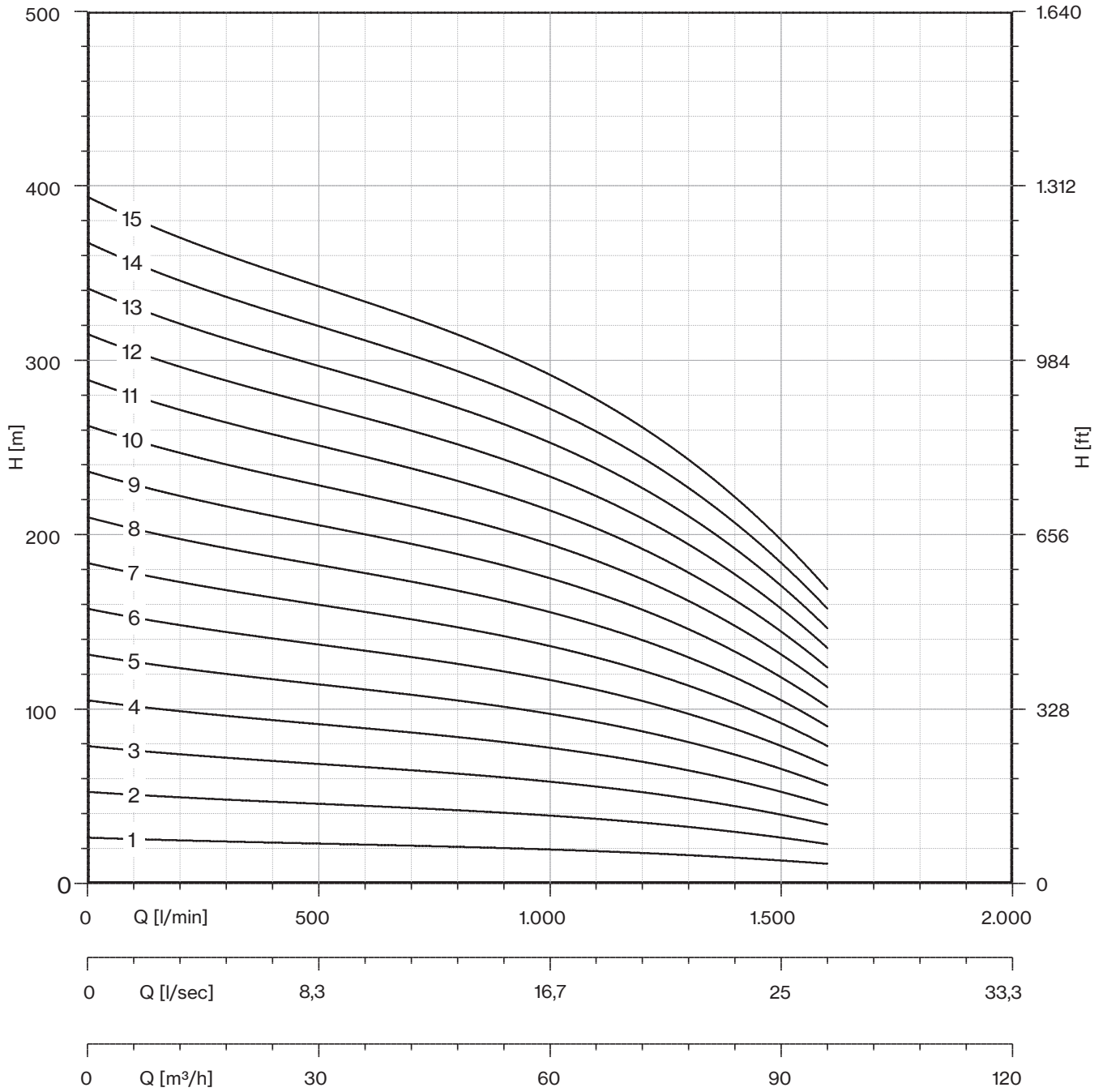
Motor 50 Hz 2900 rpm	DIMENSIONS (mm)			Weight (kg)	
TYPE	A	B	C	M	P
8LMG 80/01	1198	527	671	45	23
8LMG 80/02	1463	652	811	65	31
8LMG 80/03	1708	777	931	75	39
8LMG 80/04	1973	902	1071	92	48
8LMG 80/05	2208	1027	1181	100	56
8LMG 80/06	2403	1152	1251	108	64
8LMG 80/07	2618	1277	1341	118	73
8LMG 80/08	2525	1402	1123	178	81
8LMG 80/09	2650	1527	1123	178	89
8LMG 80/10	2885	1652	1233	200	98
8LMG 80/11	3010	1777	1233	200	106
8LMG 80/12	3205	1902	1303	214	114
8LMG 80/13	3330	2027	1303	214	122
8LMG 80/14	3535	2152	1383	230	131
8LMG 80/15	3660	2277	1383	230	139

Max Eff. % =	70
Max kW / St. =	5,1

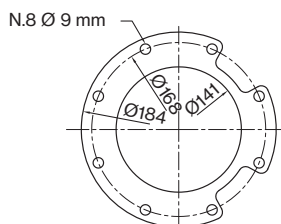
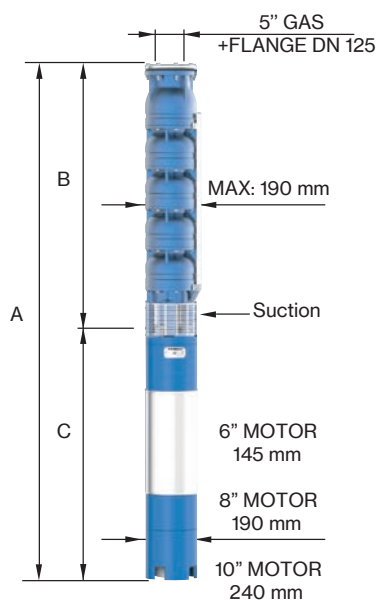
Q (flow)	25%	50%	75%	100%
NPSH (m)	3	3	3,5	4,5



# 8LMG 80



Motor 50 Hz - 2900 rpm				Q								
TYPE	Power		400 V	l/min	0	800	1000	1200	1400	1600	1800	2000
	HP	kW		l/sec	0	13,33	16,67	20,00	23,33	26,67	30,00	33,33
			A	m³/h	0	48	60	72	84	96	108	120
8LMG 92/01	10	7,5	17,5	H[m]	26	22	21	20	18	15	13	10
8LMG 92/02	17,5	13	28		53	44	42	39	35	31	25	20
8LMG 92/03	25	18,5	40		79	66	63	59	53	46	38	29
8LMG 92/04	35	26	55		105	89	84	78	70	61	50	39
8LMG 92/05	40	30	62,5		131	111	104	98	88	76	63	49
8LMG 92/06	50	37	78		158	133	125	117	105	92	75	59
8LMG 92/07	60	45	92		184	155	146	137	123	107	88	68
8LMG 92/08	75	55	113,5		210	177	167	156	140	122	100	78
8LMG 92/09	75	55	113,5		236	199	188	176	158	137	113	88
8LMG 92/10	90	66	134,5		263	221	209	195	175	153	125	98
8LMG 92/11	90	66	134,5		289	243	230	215	193	168	138	107
8LMG 92/12	100	75	149,5		315	266	251	234	210	183	150	117
8LMG 92/13	100	75	149,5		341	288	271	254	228	198	163	127
8LMG 92/14	125	92	185		368	310	292	273	245	214	175	137
8LMG 92/15	125	92	185		394	332	313	293	263	229	188	146



FOR COMMERCIAL TUBE  
EXTERNAL DIAMETER: 139,7 mm

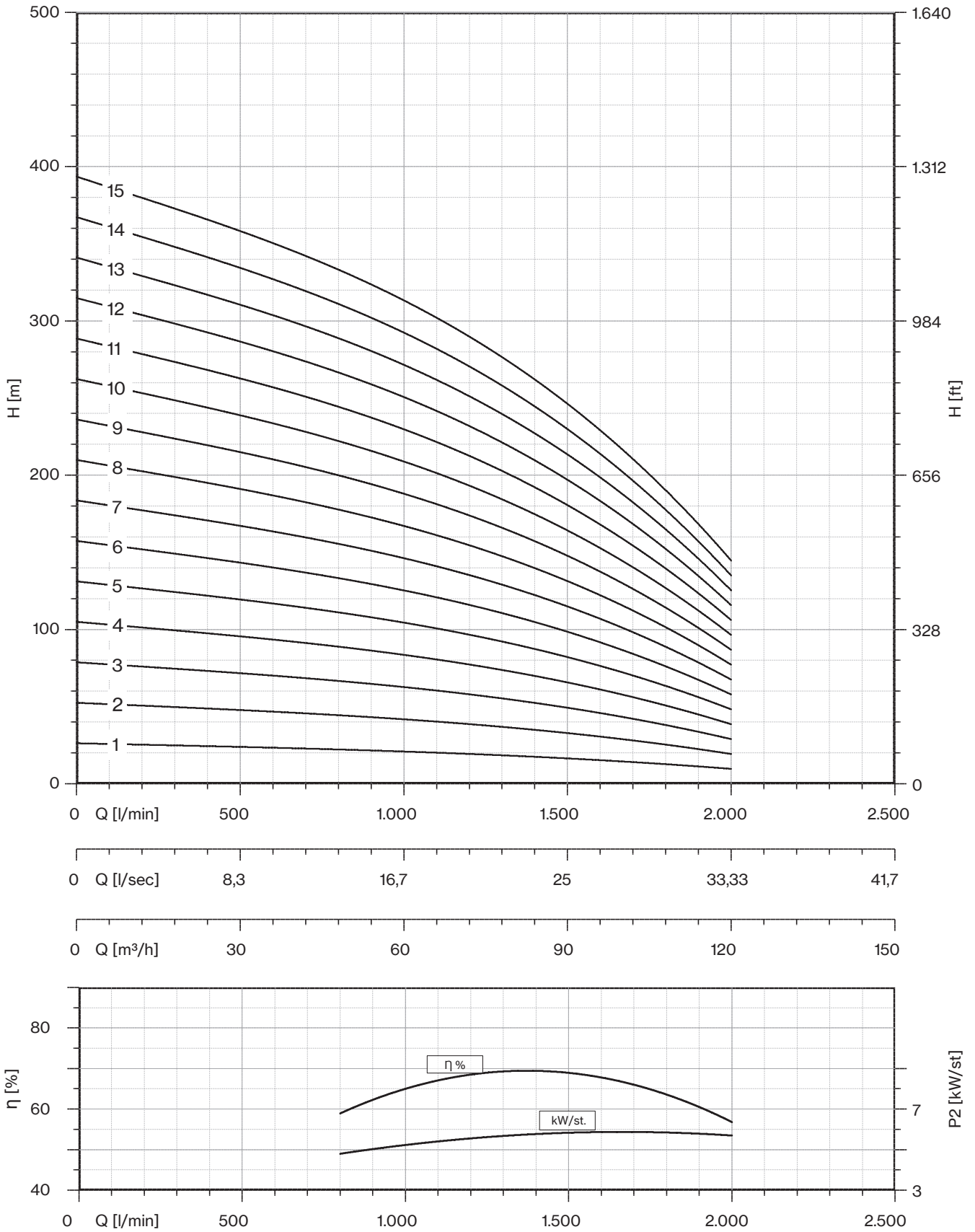
Motor 50 Hz 2900 rpm	DIMENSIONS (mm)			Weight (kg)	
TYPE	A	B	C	M	P
8LMG 92/01	1228	527	701	55	23
8LMG 92/02	1493	652	841	70	31
8LMG 92/03	1768	777	991	83	39
8LMG 92/04	2083	902	1181	100	48
8LMG 92/05	2278	1027	1251	108	56
8LMG 92/06	2493	1152	1341	118	64
8LMG 92/07	2400	1277	1123	178	73
8LMG 92/08	2635	1402	1233	200	81
8LMG 92/09	2760	1527	1233	200	89
8LMG 92/10	2955	1652	1303	214	98
8LMG 92/11	3080	1777	1303	214	106
8LMG 92/12	3285	1902	1383	230	114
8LMG 92/13	3410	2027	1383	230	122
8LMG 92/14	3735	2152	1583	270	131
8LMG 92/15	3860	2277	1583	270	139

Max Eff. % =	70
Max kW / St. =	5,9

Q (flow)	25%	50%	75%	100%
NPSH (m)	3	4	5	8

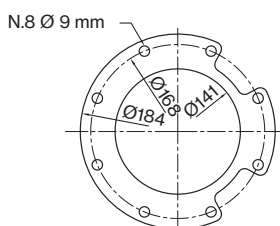
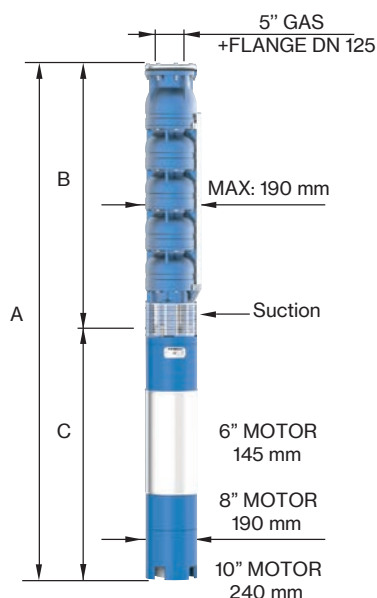


# 8LMG 92





Motor 50 Hz - 2900 rpm				Q									
TYPE	Power		400 V	l/min	0	1000	1200	1400	1600	1800	2000	2200	2400
	HP	kW			A	l/sec	0	16,67	20,00	23,33	26,67	30,00	33,33
							m³/h	0	60	72	84	96	108
8LMG 110/01	10	7,5	17,5	H[m]	26	22		21	20	19	18	16	14
8LMG 110/02	20	15	32		53	44	42	40	38	35	32	28	22
8LMG 110/03	30	22	47,5		79	66	63	60	57	53	48	42	33
8LMG 110/04	40	30	62,5		105	87	84	80	76	71	65	55	45
8LMG 110/05	50	37	78		131	109	105	100	95	89	81	69	56
8LMG 110/06	60	45	92		158	131	126	120	114	106	97	83	67
8LMG 110/07	75	55	113,5		184	153	147	140	133	124	113	97	78
8LMG 110/08	90	66	134,5		210	175	168	160	152	142	129	111	89
8LMG 110/09	90	66	134,5		237	197	189	180	171	159	145	125	100
8LMG 110/10	100	75	149,5		263	219	210	200	190	177	161	139	111
8LMG 110/11	125	92	185		289	240	231	220	209	195	178	152	123
8LMG 110/12	125	92	185		315	262	252	240	228	213	194	166	134
8LMG 110/13	125	92	185		342	284	273	260	247	230	210	180	145



FOR COMMERCIAL TUBE  
EXTERNAL DIAMETER: 139,7 mm

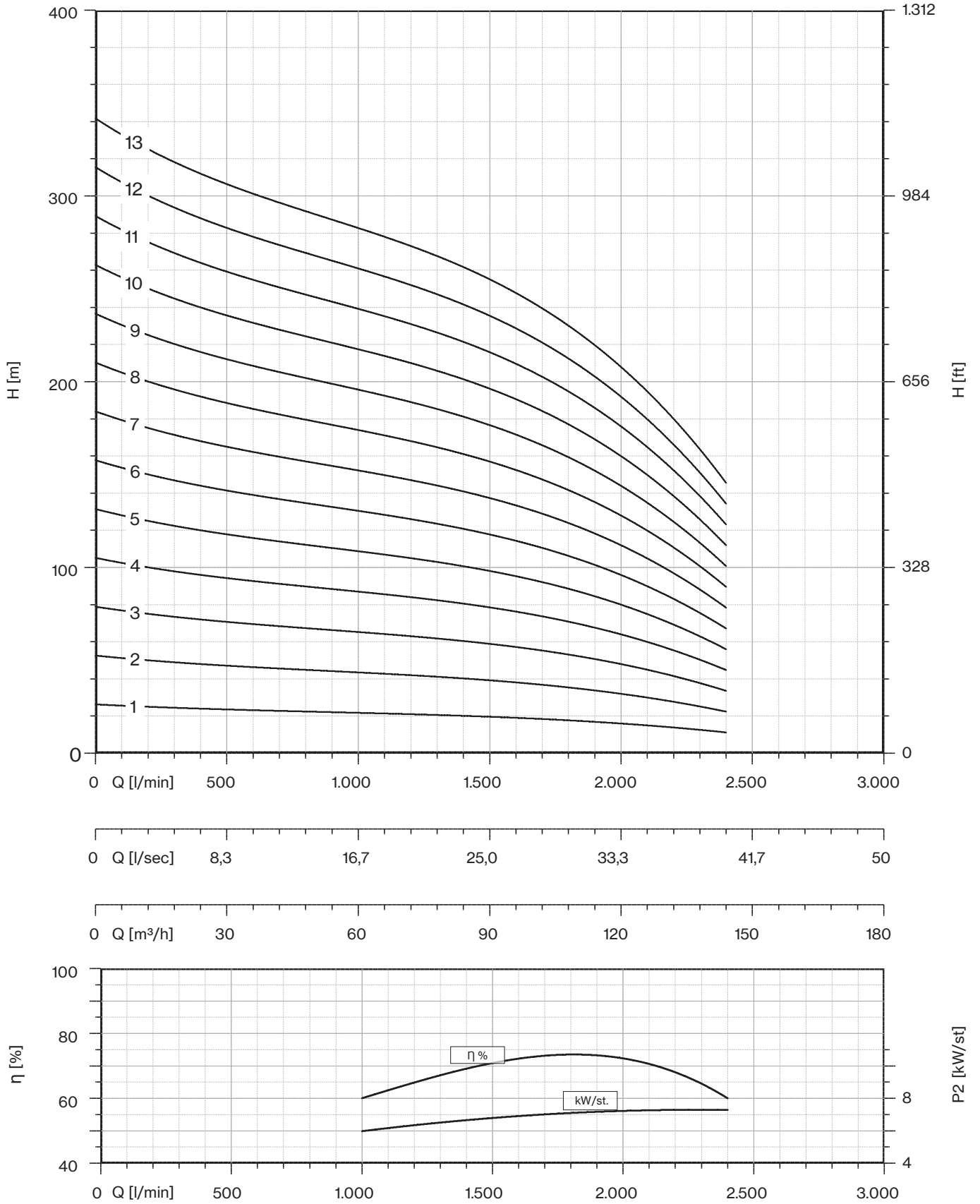
Motor 50 Hz 2900 rpm	DIMENSIONS (mm)			Weight (kg)	
	TYPE	A	B	C	M
8LMG 110/01	1228	527	701	55	23
8LMG 110/02	1583	652	931	75	32
8LMG 110/03	1848	777	1071	92	40
8LMG 110/04	2153	902	1251	108	49
8LMG 110/05	2368	1027	1341	118	58
8LMG 110/06	2275	1152	1123	178	66
8LMG 110/07	2510	1277	1233	200	75
8LMG 110/08	2705	1402	1303	214	83
8LMG 110/09	2830	1527	1303	214	92
8LMG 110/10	3035	1652	1383	230	101
8LMG 110/11	3360	1777	1583	270	109
8LMG 110/12	3485	1902	1583	270	118
8LMG 110/13	3610	2027	1583	270	126

Max Eff. % =	74
Max kW / St. =	7,3

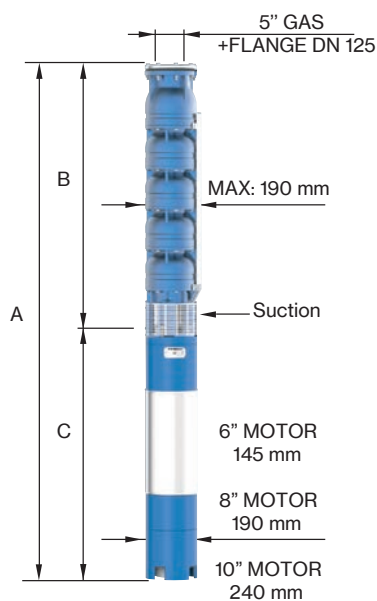
Q (flow)	25%	50%	75%	100%
NPSH (m)	2,5	3,5	4,5	8



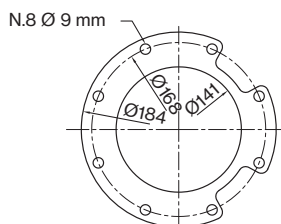
# 8LMG 110



Motor 50 Hz - 2900 rpm				Q										
TYPE	Power		400 V	I/min	0	1200	1400	1600	1800	2000	2200	2400	2600	2800
	HP	kW	A	I/sec	0	20,00	23,33	26,67	30,00	33,33	36,67	40,00	43,33	46,67
				m³/h	0	72	84	96	108	120	132	144	156	168
8LMG 130/01	10	7,5	17,5	H[m]	26	21	20	19	18	17	15	13	11	8
8LMG 130/02	20	15	32		53	42	41	38	36	34	31	27	21	15
8LMG 130/03	35	26	55		79	63	61	57	54	51	46	40	32	23
8LMG 130/04	40	30	62,5		106	85	81	77	73	67	62	54	43	30
8LMG 130/05	60	45	92		132	106	101	96	91	84	77	67	54	38
8LMG 130/06	75	55	113,5		159	127	122	115	109	101	93	81	64	45
8LMG 130/07	75	55	113,5		185	148	142	134	127	118	108	94	75	53
8LMG 130/08	90	66	134,5		211	169	162	153	145	135	123	107	86	61
8LMG 130/09	100	75	149,5		238	190	183	172	163	152	139	121	96	68
8LMG 130/10	100	75	149,5		264	211	203	191	181	169	154	134	107	76
8LMG 130/11	125	92	185		291	233	223	211	200	185	170	148	118	83
8LMG 130/12	125	92	185		317	254	243	230	218	202	185	161	129	91
8LMG 130/13	150	110	219		344	275	264	249	236	219	201	175	139	98
8LMG 130/14	150	110	220		370	296	284	268	254	236	216	188	150	106



Motor 50 Hz 2900 rpm	DIMENSIONS (mm)			Weight (kg)	
TYPE	A	B	C	M	P
8LMG 130/01	1228	527	701	55	23
8LMG 130/02	1583	652	931	75	32
8LMG 130/03	1958	777	1181	100	41
8LMG 130/04	2153	902	1251	108	49
8LMG 130/05	2150	1027	1123	178	58
8LMG 130/06	2385	1152	1233	200	67
8LMG 130/07	2510	1277	1233	200	75
8LMG 130/08	2705	1402	1303	214	84
8LMG 130/09	2910	1527	1383	230	93
8LMG 130/10	3035	1652	1383	230	102
8LMG 130/11	3360	1777	1583	270	110
8LMG 130/12	3485	1902	1583	270	119
8LMG 130/13	3760	2027	1733	300	128
8LMG 130/14	3885	2152	1733	300	136



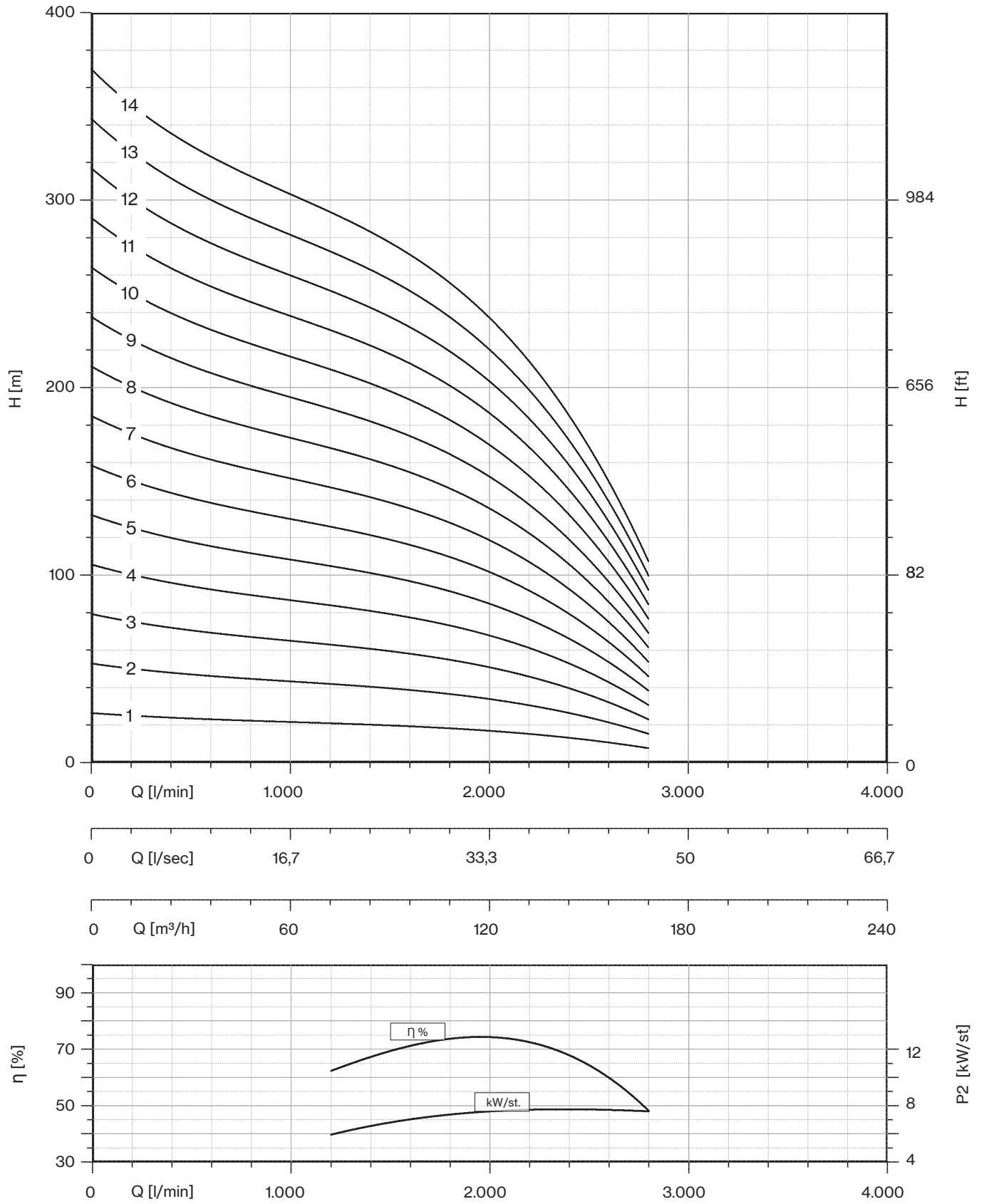
FOR COMMERCIAL TUBE  
EXTERNAL DIAMETER: 139,7 mm

Max Eff. % =	75
Max kW / St. =	7,7

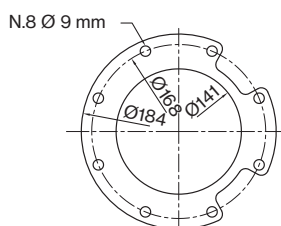
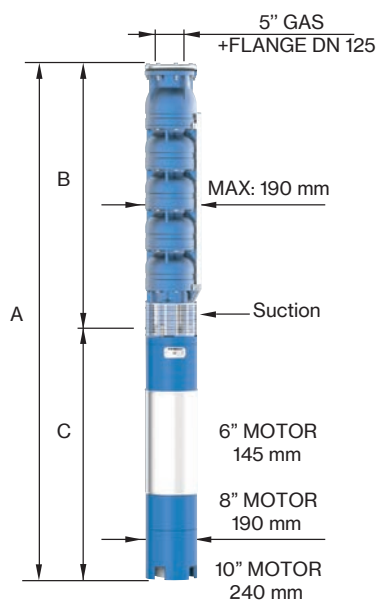
Q (flow)	25%	50%	75%	100%
NPSH (m)	2,5	3	5	9



# 8LMG 130



Motor 50 Hz - 2900 rpm				Q										
TYPE	Power		400 V	l/min	0	1600	1800	2000	2200	2400	2600	2800	3000	3200
	HP	kW			l/sec	0	26,67	30,00	33,33	36,67	40,00	43,33	46,67	50,00
	A	m <sup>3</sup> /h	0	96	108	120	132	144	156	168	180	192		
8LMG 160/01	12,5	9,2	21	H[m]	24	19	18	17	16	16	15	13	12	10
8LMG 160/02	25	18,5	40		49	38	36	35	33	31	30	27	24	20
8LMG 160/03	35	26	55		73	57	54	52	49	47	45	40	36	30
8LMG 160/04	50	37	78		97	76	72	69	66	63	59	54	48	40
8LMG 160/05	60	45	92		121	95	90	86	82	79	74	67	60	50
8LMG 160/06	75	55	113,5		146	114	108	104	99	94	89	81	72	60
8LMG 160/07	90	66	134,5		170	133	126	121	115	110	104	94	84	70
8LMG 160/08	100	75	149,5		194	152	144	138	131	126	119	107	96	80
8LMG 160/09	100	75	149,5		219	171	162	156	148	141	134	121	108	90
8LMG 160/10	125	92	185		243	190	180	173	164	157	149	134	120	100
8LMG 160/11	125	92	185		267	209	198	190	181	173	163	148	132	110
8LMG 160/12	150	110	219		291	228	216	207	197	189	178	161	144	120
8LMG 160/13	150	110	219		316	247	234	225	214	204	193	175	156	130



FOR COMMERCIAL TUBE  
EXTERNAL DIAMETER: 139,7 mm

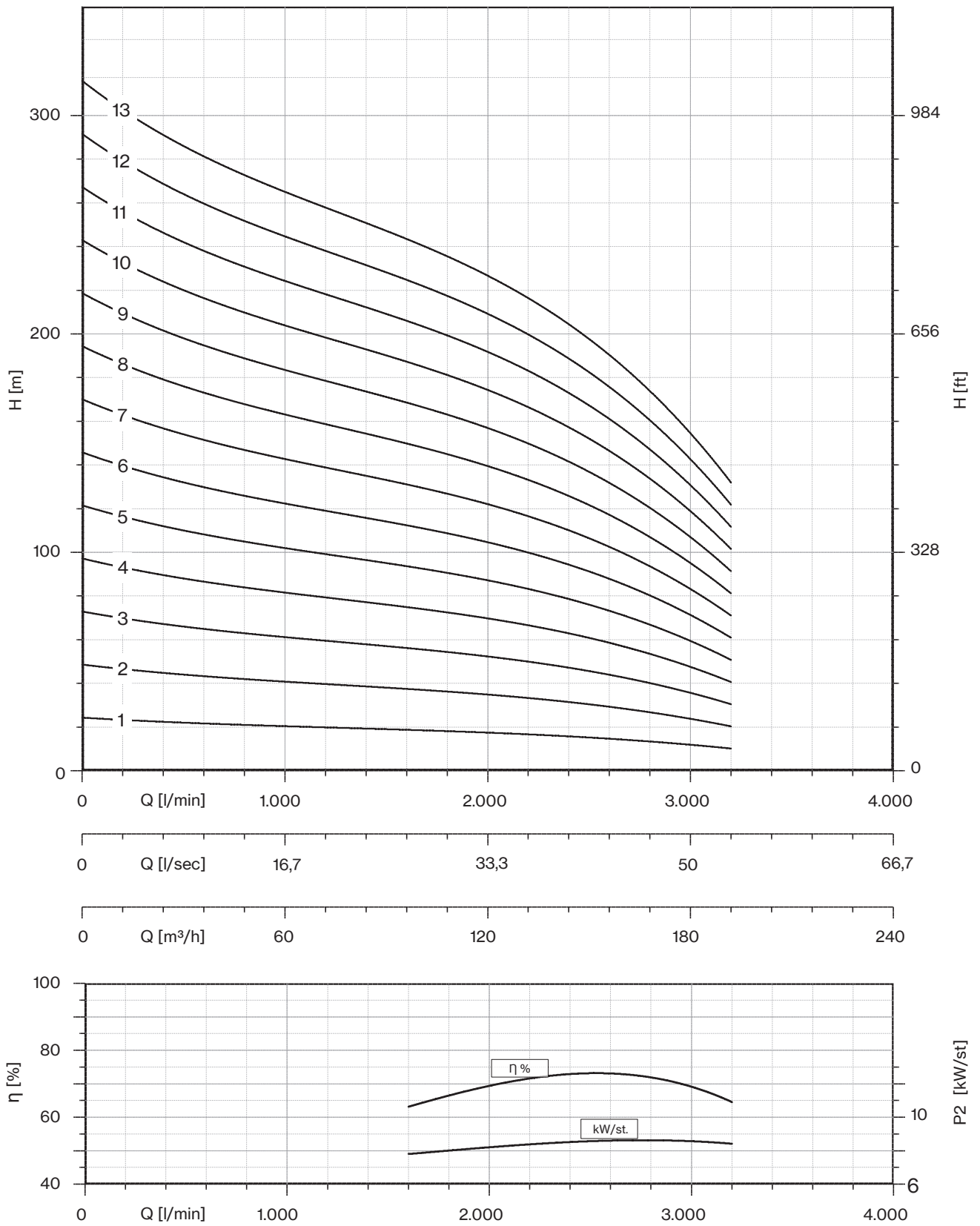
Motor 50 Hz 2900 rpm	DIMENSIONS (mm)			Weight (kg)	
	TYPE	A	B	C	M
8LMG 160/01	1303	552	751	60	24
8LMG 160/02	1693	702	991	83	33
8LMG 160/03	2033	852	1181	100	42
8LMG 160/04	2343	1002	1341	118	51
8LMG 160/05	2275	1152	1123	178	60
8LMG 160/06	2535	1302	1233	200	69
8LMG 160/07	2755	1452	1303	214	78
8LMG 160/08	2985	1602	1383	230	87
8LMG 160/09	3135	1752	1383	230	96
8LMG 160/10	3485	1902	1583	270	105
8LMG 160/11	3635	2052	1583	270	114
8LMG 160/12	3935	2202	1733	300	123
8LMG 160/13	4085	2352	1733	300	132

Max Eff. % =	74
Max kW / St. =	8,6

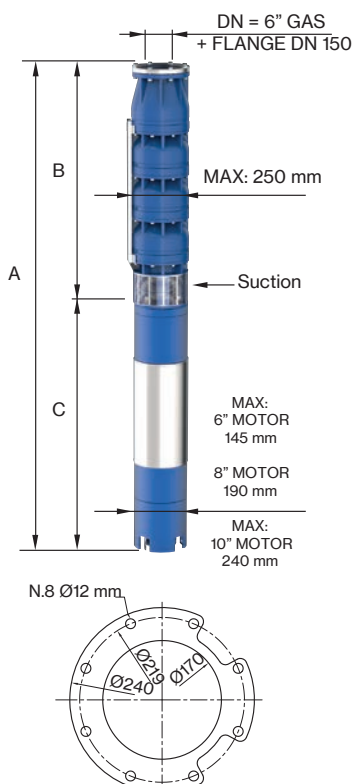
Q (flow)	25%	50%	75%	100%
NPSH (m)	4	4,5	7	13



# 8LMG 160



Motor 50 Hz - 2900 rpm				Q							
TYPE	Power		400 V	l/min l/sec m <sup>3</sup> /h	0	1800	2200	2600	3000	3400	3800
	HP	kW			A	0	30,00	36,67	43,33	50,00	56,67
			0	108		132	156	180	204	228	
10LMG 190/01 DR 20	20	15	32	H[m]	32	29	28	25	24	20	16
10LMG 190/01 DR 10	25	18,5	40		37	33	31	29	27	22	18
10LMG 190/01	30	22	47,5		42	37	35	32	30	25	20
10LMG 190/02 DR 20	40	30	62,5		65	58	55	50	48	40	32
10LMG 190/02 DR 10	50	37	78		73	66	62	57	54	45	36
10LMG 190/02	60	45	92		83	74	70	64	60	50	40
10LMG 190/03 DR 20	75	55	113,5		97	88	83	76	71	59	47
10LMG 190/03 DR 10	75	55	113,5		110	99	94	86	80	67	53
10LMG 190/03	90	66	134,5		125	111	105	96	90	75	60
10LMG 190/04 DR 20	90	66	134,5		130	117	110	101	95	79	63
10LMG 190/04 DR 10	100	75	149,5		146	132	125	114	107	90	71
10LMG 190/04	100	75	149,5		166	148	140	128	120	100	80
10LMG 190/05 DR 20	100	75	149,5		162	146	138	126	119	99	79
10LMG 190/05 DR 10	125	92	185		183	165	156	143	134	112	89
10LMG 190/05	150	110	219		208	185	175	160	150	125	100
10LMG 190/06 DR 20	125	92	185		194	175	166	151	143	119	95
10LMG 190/06 DR 10	150	110	219		220	198	187	172	161	134	107
10LMG 190/06	175	130	254,5		250	222	210	192	180	150	120
10LMG 190/07 DR 20	150	110	219		227	204	193	176	167	139	111
10LMG 190/07 DR 10	175	130	254,5		256	231	218	200	188	157	125
10LMG 190/07	200	150	290	291	259	245	224	210	175	140	
10LMG 190/08 DR 20	175	130	254,5	259	234	221	202	190	158	126	
10LMG 190/08 DR 10	200	150	290	293	264	250	229	214	179	142	
10LMG 190/08	225	165	330	333	296	280	256	240	200	160	



FOR COMMERCIAL TUBE  
EXTERNAL DIAMETER: 168,3 mm

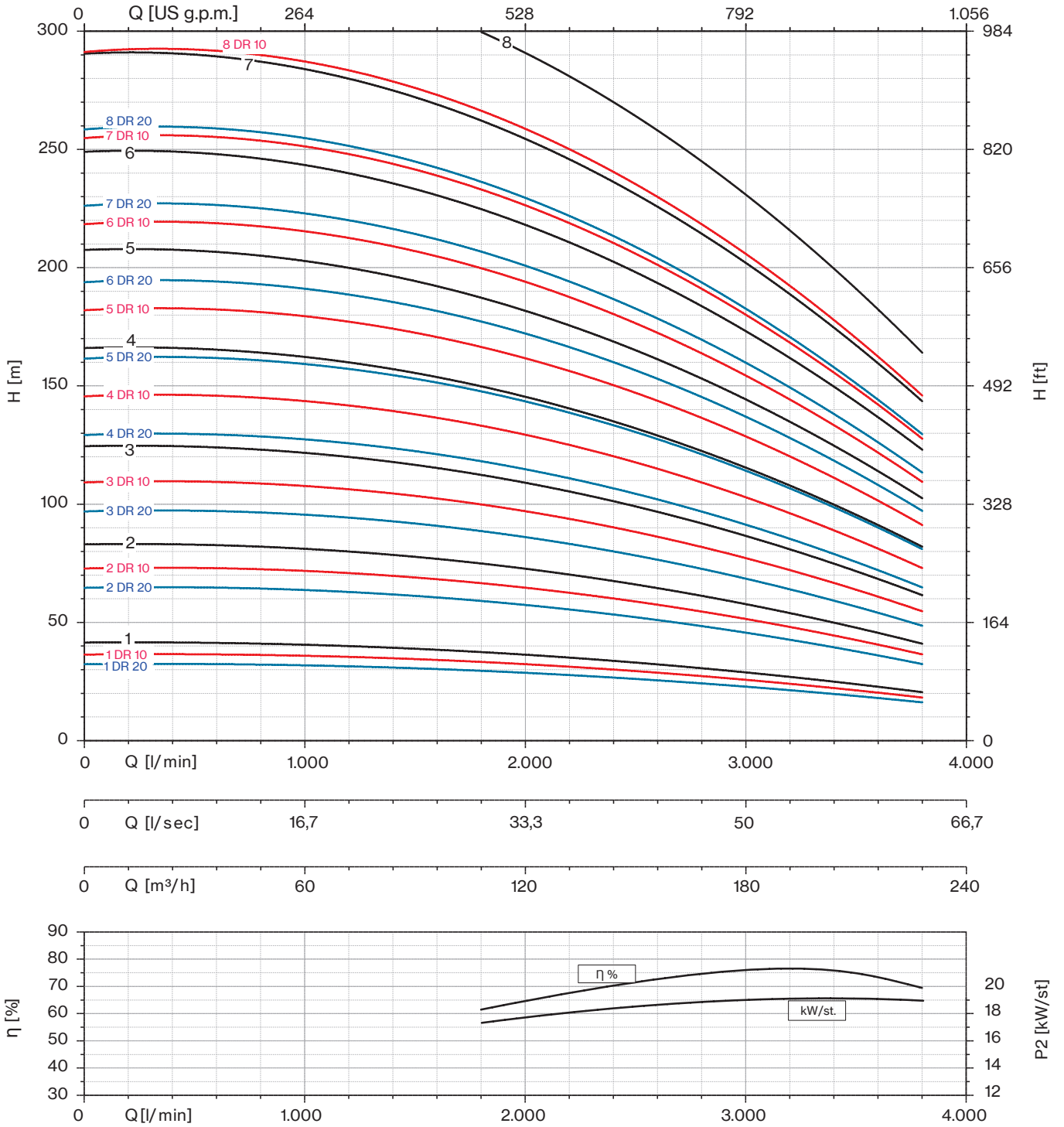
Motor 50 Hz 2900 rpm	DIMENSIONS (mm)			Weight (kg)	
	TYPE	A	B	C	M
10LMG 190/01 DR 20	1556	625	931	75	50
10LMG 190/01 DR 10	1616	625	991	83	50
10LMG 190/01	1696	625	1071	92	50
10LMG 190/02 DR 20	2056	805	1251	108	68
10LMG 190/02 DR 10	2146	805	1341	118	68
10LMG 190/02	1928	805	1123	178	68
10LMG 190/03 DR 20	2218	985	1233	200	87
10LMG 190/03 DR 10	2218	985	1233	200	87
10LMG 190/03	2288	985	1303	214	87
10LMG 190/04 DR 20	2468	1165	1303	214	105
10LMG 190/04 DR 10	2548	1165	1383	230	105
10LMG 190/04	2548	1165	1383	230	105
10LMG 190/05 DR 20	2728	1345	1383	230	124
10LMG 190/05 DR 10	2928	1345	1583	270	124
10LMG 190/05	3078	1345	1733	300	124
10LMG 190/06 DR 20	3108	1525	1583	270	142
10LMG 190/06 DR 10	3258	1525	1733	300	142
10LMG 190/06	3159	1525	1634	385	142
10LMG 190/07 DR 20	3438	1705	1733	300	161
10LMG 190/07 DR 10	3339	1705	1634	385	161
10LMG 190/07	3439	1705	1734	415	161
10LMG 190/08 DR 20	3519	1885	1634	385	179
10LMG 190/08 DR 10	3619	1885	1734	415	179
10LMG 190/08	3739	1885	1854	444	179

Max Eff. % DR20 =	74
Max Eff. % DR10 =	75
Max Eff. % =	75,5
Max kW / St. DR20 =	15,7
Max kW / St. DR10 =	17,5
Max kW / St. =	19,4

Q (flow)	25%	50%	75%	100%
NPSH (m)	3,6	5,3	8,1	14

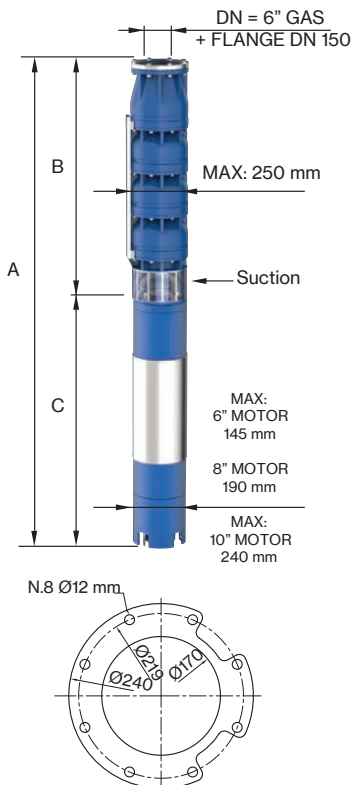


# 10LMG 190





Motor 50 Hz - 2900 rpm				Q								
TYPE	Power		400 V	l/min	0	2200	2600	3000	3400	3800	4200	4400
	HP	kW			A	l/sec	36,67	43,33	50,00	56,67	63,33	70,00
					m <sup>3</sup> /h	0	132	156	180	204	228	252
10LMG 230/01 DR 20	25	18,5	40	H[m]	34	29	28	26	24	22	19	16
10LMG 230/01 DR 10	30	22	47,5		38	33	31	29	27	25	21	17
10LMG 230/01	30	22	47,5		43	37	35	33	30	28	24	22
10LMG 230/02 DR 20	50	37	78		68	58	55	52	48	44	38	33
10LMG 230/02 DR 10	60	45	92		77	66	62	59	54	50	43	35
10LMG 230/02	60	45	92		86	74	70	66	60	56	48	44
10LMG 230/03 DR 20	75	55	113,5		102	88	83	78	71	67	57	49
10LMG 230/03 DR 10	90	66	134,5		115	99	94	88	80	75	64	52
10LMG 230/03	100	75	149,5		129	111	105	99	90	84	72	66
10LMG 230/04 DR 20	100	75	149,5		136	117	110	104	95	89	76	66
10LMG 230/04 DR 10	125	92	185		154	132	125	118	107	100	86	70
10LMG 230/04	125	92	185		172	148	140	132	120	112	96	88
10LMG 230/05 DR 20	125	92	185		170	146	138	130	119	111	95	82
10LMG 230/05 DR 10	150	110	219		192	165	156	147	134	125	107	87
10LMG 230/05	175	130	254,5		215	185	175	165	150	140	120	110
10LMG 230/06 DR 20	150	110	219		204	175	166	156	143	133	114	98
10LMG 230/06 DR 10	175	130	254,5		230	198	187	176	161	150	128	104
10LMG 230/06	200	150	290		258	222	210	198	180	168	144	132
10LMG 230/07 DR 20	175	130	254,5		238	204	193	182	167	155	133	115
10LMG 230/07 DR 10	200	150	290		269	231	218	206	188	175	150	122
10LMG 230/07	225	165	330	301	259	245	231	210	196	168	154	



FOR COMMERCIAL TUBE  
EXTERNAL DIAMETER: 168,3 mm

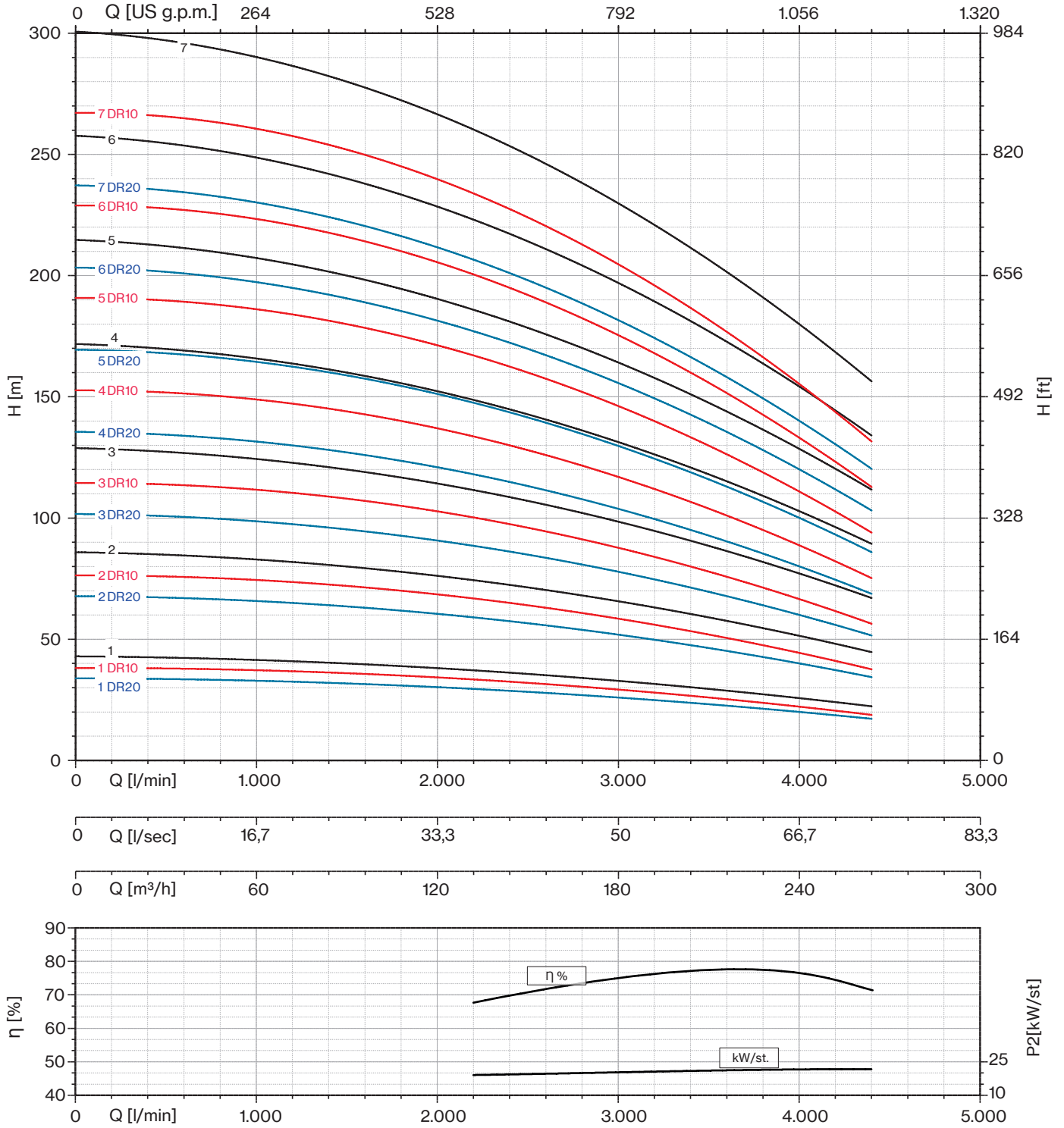
Motor 50 Hz 2900 rpm	DIMENSIONS (mm)			Weight (kg)	
	TYPE	A	B	C	M
10LMG 230/01 DR 20	1616	625	991	83	50
10LMG 230/01 DR 10	1696	625	1071	92	50
10LMG 230/01	1696	625	1071	92	50
10LMG 230/02 DR 20	2146	805	1341	118	68
10LMG 230/02 DR 10	1928	805	1123	178	68
10LMG 230/02	1928	805	1123	178	68
10LMG 230/03 DR 20	2218	985	1233	200	87
10LMG 230/03 DR 10	2288	985	1303	214	87
10LMG 230/03	2368	985	1383	230	87
10LMG 230/04 DR 20	2548	1165	1383	230	105
10LMG 230/04 DR 10	2748	1165	1583	270	105
10LMG 230/04	2748	1165	1583	270	105
10LMG 230/05 DR 20	2928	1345	1583	270	124
10LMG 230/05 DR 10	3078	1345	1733	300	124
10LMG 230/05	2979	1345	1634	385	124
10LMG 230/06 DR 20	3258	1525	1733	300	142
10LMG 230/06 DR 10	3159	1525	1634	385	142
10LMG 230/06	3259	1525	1734	415	142
10LMG 230/07 DR 20	3339	1705	1634	385	161
10LMG 230/07 DR 10	3439	1705	1734	415	161
10LMG 230/07	3559	1705	1854	444	161

Max Eff. % DR20 =	75,5
Max Eff. % DR10 =	76
Max Eff. % =	76,5
Max kW / St. DR20 =	18,3
Max kW / St. DR10 =	20,5
Max kW / St. =	23

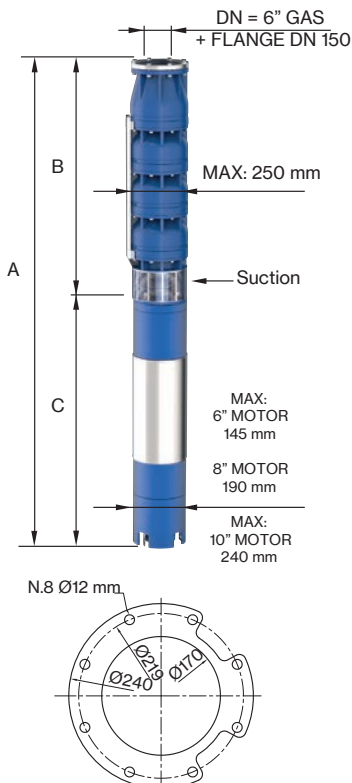
Q (flow)	25%	50%	75%	100%
NPSH (m)	3,7	5,4	8,3	14,2



# 10LMG 230



Motor 50 Hz - 2900 rpm				Q									
TYPE	Power		400 V	l/min	0	2400	2800	3200	3600	4000	4400	4800	5000
	HP	kW			A	l/sec	0	40,00	46,67	53,33	60,00	66,67	73,33
					m³/h	0	144	168	192	216	240	264	288
10LMG 250/01 DR 20	30	22	47,5	H[m]	34	28	27	26	25	22	21	18	17
10LMG 250/01 DR 10	35	26	55		38	32	30	29	28	25	23	20	20
10LMG 250/01	35	26	55		43	36	34	33	31	28	26	23	22
10LMG 250/02 DR 20	60	45	92		68	57	54	52	49	44	41	36	35
10LMG 250/02 DR 10	75	55	113,5		77	64	61	59	55	50	46	41	39
10LMG 250/02	75	55	113,5		86	72	68	66	62	56	52	46	44
10LMG 250/03 DR 20	90	66	134,5		102	85	81	79	74	67	62	55	52
10LMG 250/03 DR 10	100	75	149,5		115	96	91	88	83	75	70	61	59
10LMG 250/03	125	92	185		129	108	102	99	93	84	78	69	66
10LMG 250/04 DR 20	125	92	185		136	114	108	105	98	89	82	73	70
10LMG 250/04 DR 10	125	92	185		154	128	122	118	110	100	93	82	78
10LMG 250/04	150	110	219		172	144	136	132	124	112	104	92	88
10LMG 250/05 DR 20	150	110	219		170	142	135	131	123	111	103	91	87
10LMG 250/05 DR 10	175	130	254,5		192	160	152	147	138	125	116	102	98
10LMG 250/05	175	130	254,5		215	180	170	165	155	140	130	115	110
10LMG 250/06 DR 20	175	130	254,5		204	170	162	157	148	133	124	109	104
10LMG 250/06 DR 10	200	150	290		230	192	182	176	166	150	139	122	118
10LMG 250/06	225	165	330		258	216	204	198	186	168	156	138	132
10LMG 250/07 DR 20	225	165	330		238	199	189	183	172	155	144	127	122
10LMG 250/07 DR 10	225	165	330		269	224	213	206	193	175	162	143	137



FOR COMMERCIAL TUBE  
EXTERNAL DIAMETER: 168,3 mm

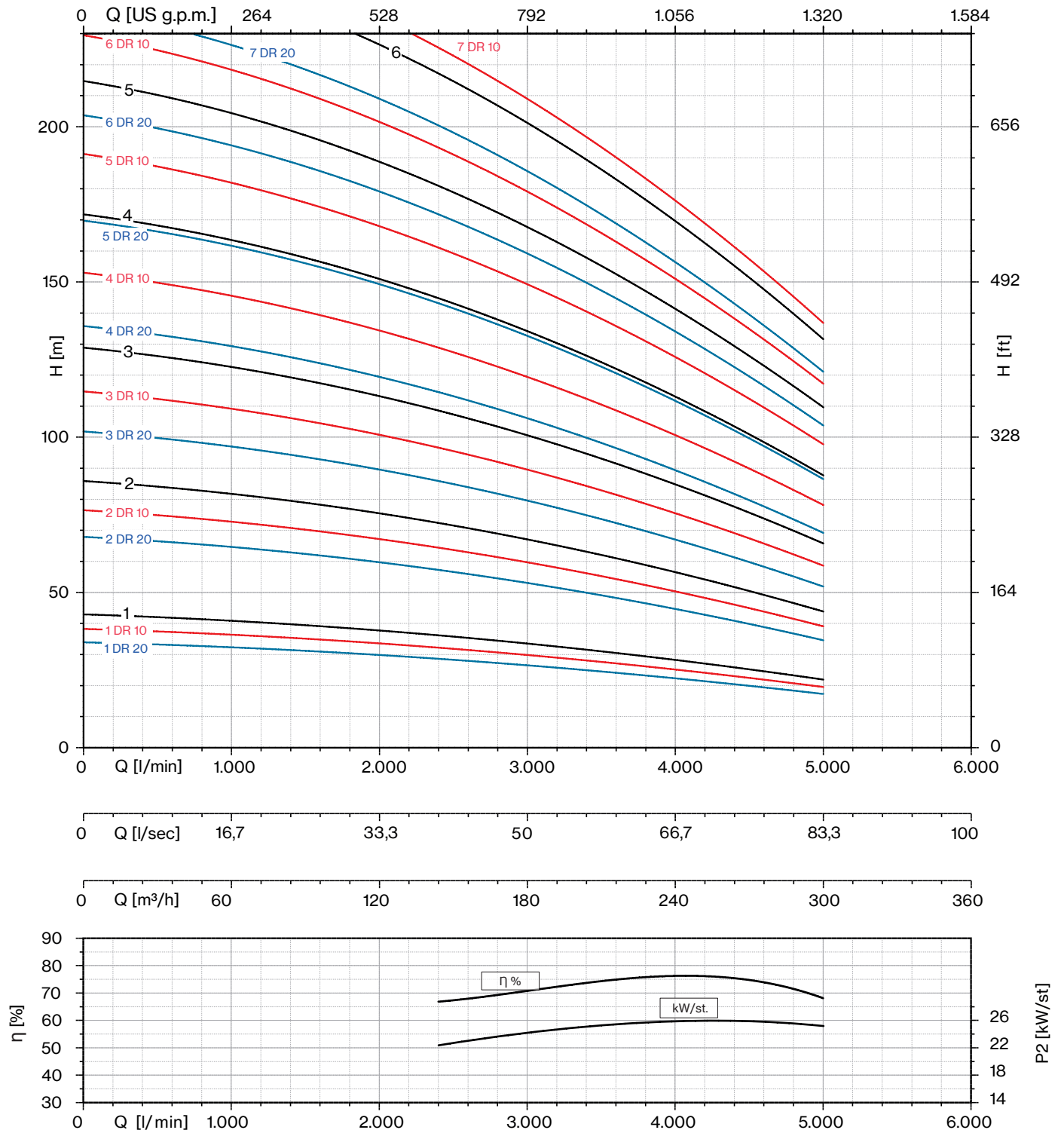
Motor 50 Hz 2900 rpm	DIMENSIONS (mm)			Weight (kg)	
TYPE	A	B	C	M	P
10LMG 250/01 DR 20	1696	625	1071	92	50
10LMG 250/01 DR 10	1806	625	1181	100	50
10LMG 250/01	1806	625	1181	100	50
10LMG 250/02 DR 20	1928	805	1123	178	68
10LMG 250/02 DR 10	2038	805	1233	200	68
10LMG 250/02	2038	805	1233	200	68
10LMG 250/03 DR 20	2288	985	1303	214	87
10LMG 250/03 DR 10	2368	985	1383	230	87
10LMG 250/03	2568	985	1583	270	87
10LMG 250/04 DR 20	2748	1165	1583	270	105
10LMG 250/04 DR 10	2748	1165	1583	270	105
10LMG 250/04	2898	1165	1733	300	105
10LMG 250/05 DR 20	3078	1345	1733	300	124
10LMG 250/05 DR 10	2979	1345	1634	385	124
10LMG 250/05	2979	1345	1634	385	124
10LMG 250/06 DR 20	3159	1525	1634	385	142
10LMG 250/06 DR 10	3259	1525	1734	415	142
10LMG 250/06	3379	1525	1854	444	142
10LMG 250/07 DR 20	3559	1705	1854	444	161
10LMG 250/07 DR 10	3559	1705	1854	444	161

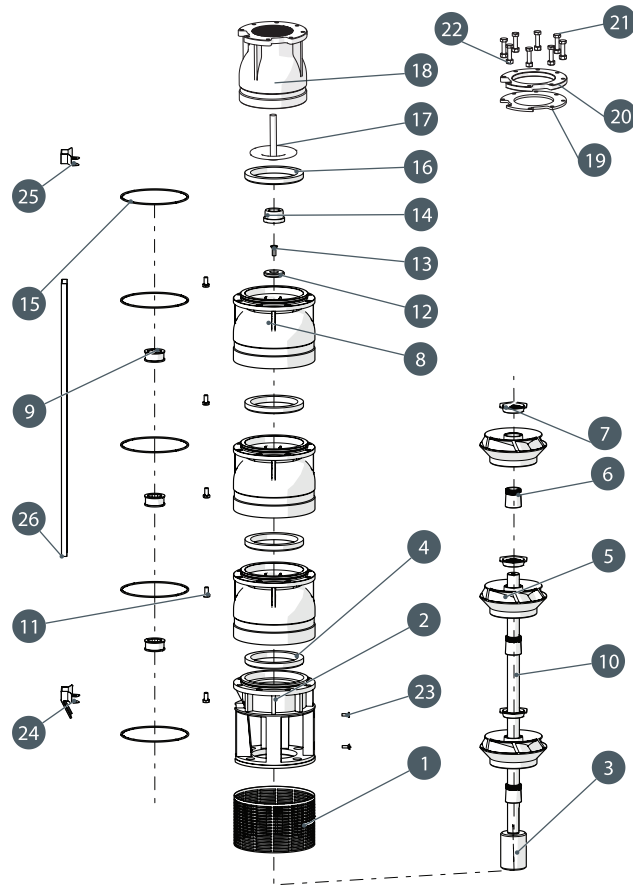
Max Eff. % DR20 =	75,5
Max Eff. % DR10 =	76
Max Eff. % =	76,5
Max kW / St. DR20 =	21,9
Max kW / St. DR10 =	23,5
Max kW / St. =	26,3

Q (flow)	25%	50%	75%	100%
NPSH (m)	3,9	5,5	8,5	14,4



# 10LMG 250





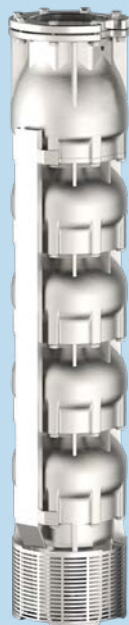
N. CODE	DESCRIPTION	MATERIAL
1	SUCTION STRAINER	AISI 304
2	SUCTION CAGE	CAST IRON
3	JOINT	AISI 304
4	USURY RING	NBR
5	IMPELLER	CAST IRON
6	CONE	AISI 304
7	HEXAGONAL RING	AISI 304
8	DIFFUSEUR	AISI 304
9	BEARING BUSH	NBR
10	PUMP SHAFT	AISI 304
11	N.8 SCREW FOR DIFFUSEUR	AISI 304
12	RING	AISI 304
13	SCREW FOR DISK	AISI 304
14	COUNTERTHRUST	PTFE + 25% CARBON
15	O-RING	NBR
16	GASKET VALVE	NBR
17	CAP VALVE	AISI 304
18	BODY VALVE	CAST IRON
19	SEAL COUNTERFLANGE	NBR
20	COUNTERFLANGE	IRON
21	N.8 SCREW FOR COUNTERFLANGE	AISI 304
22	N.8 NUT FOR COUNTERFLANGE	AISI 304
23	N.2 SCREW FOR SUCTION STRAINER	AISI 304
24	LOWER FLANGE	AISI 304
25	UPPER FLANGE	AISI 304
26	COVER CABLE	AISI 304

# 6LR & 6LM lines

Deepwell Borehole



6LR line



6LM line



Submersible multistage centrifugal pumps for 6" wells. Check valve built into the delivery outlet. Pump flange for coupling with motors are made according to NEMA standards. Most common applications are civil and agricultural. All components are made of stainless steel with lost wax Microfusion technology. The standard material is AISI 304 stainless steel, alternatively the following materials are available on request: AISI 316 Steel, Duplex steel. Bushing bearings and wear-rings made of sand abrasion-resistant rubber, reverse-Thrust ring in PTFE/Graphite.

### General operating data:

- Capacity up to 90 m<sup>3</sup>/h
- Pressure up to 750 m
- Hydraulic efficiency 6", up to 78,5%
- Pressure up to 75 bar
- Powers up to 66 kW
- Rotation speed up to 2.900 rpm
- Maximum depth: 350 m
- Maximum quantity of permitted sand: 100 gr/m<sup>3</sup>
- Drinking water compatibility according to DM174 MEI >= 0,4 (EU directive No.547/2012)
- Performance tolerance: ISO9906-3B

### Construction features

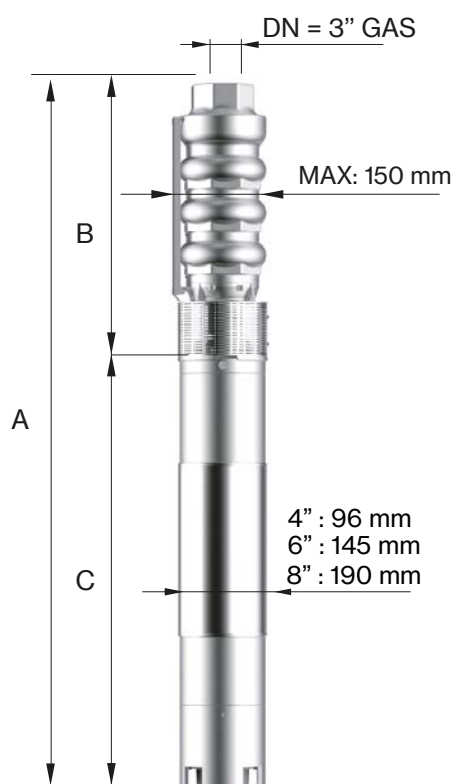
<b>Suction and delivery outlet</b>	stainless steel AISI 304 (LRS-LMS) stainless steel AISI 316 (LRX-LMX) Duplex (LRD-LMD)
<b>Valve</b>	stainless steel AISI 304 (LRS-LMS) stainless steel AISI 316 (LRX-LMX) Duplex (LRD-LMD)
<b>Impellers and diffusers</b>	stainless steel AISI 304 (LRS-LMS) stainless steel AISI 316 (LRX-LMX) Duplex (LRD-LMD)
<b>Upper bushings</b>	NBR rubber
<b>Shaft pump side</b>	stainless steel AISI 304 (LRS-LMS) stainless steel AISI 316 (LRX-LMX) Duplex (LRD-LMD)
<b>Quantity of sand in the water</b>	max 100 g/m <sup>3</sup>

### Motor

<b>Asynchronous 2 pole</b>	rewindable water cooled
<b>Insulation class</b>	Y (max 30 °C) - PPC winding type F (max 50 °C) - PE2+PA or LPE winding type
<b>Protection degree</b>	IP68
<b>Liquid temperature</b>	max 30 °C (max 50 °C on request)
<b>Depth of immersion</b>	max 350 m



Motor 50 Hz - 2900 rpm				Q								
TYPE	Power		400 V	l/min l/sec m <sup>3</sup> /h	0	66	100	150	200	250	300	350
	HP	kW			A	0	1,1	1,7	2,5	3,3	4,2	5,0
			0	4		6	9	12	15	18	21	
6LR 14/01	1	0,75	2,2	H[m]	15	14	14	14	13	12	10	9
6LR 14/02	2	1,5	4,0		29	29	28	27	25	23	20	17
6LR 14/03	3	2,2	5,5		44	43	42	41	38	35	31	26
6LR 14/04	4	3	7,5		58	57	56	54	50	46	41	34
6LR 14/05	5,5	4	10,0		73	71	70	68	63	58	51	43
6LR 14/06	7,5	5,5	12,5		87	86	84	81	75	69	61	51
6LR 14/07	7,5	5,5	12,5		102	100	98	95	88	81	71	60
6LR 14/08	10	7,5	16,3		116	114	112	108	100	92	82	68
6LR 14/09	10	7,5	16,3		131	128	126	122	113	104	92	77
6LR 14/10	10	7,5	16,3		145	143	140	135	125	115	102	85
6LR 14/11	12,5	9,2	19,9		160	157	154	149	138	127	112	94
6LR 14/12	12,5	9,2	19,9		174	171	168	162	150	138	122	102
6LR 14/13	15	11	23,4		189	185	182	176	163	150	133	111
6LR 14/14	15	11	23,4		203	200	196	189	175	161	143	119
6LR 14/15	17,5	13	27,3		218	214	210	203	188	173	153	128
6LR 14/16	17,5	13	27,3		232	228	224	216	200	184	163	136
6LR 14/17	17,5	13	27,3		247	242	238	230	213	196	173	145
6LR 14/18	20	15	31,5		261	257	252	243	225	207	184	153
6LR 14/19	20	15	31,5		276	271	266	257	238	219	194	162
6LR 14/20	20	15	31,5		290	285	280	270	250	230	204	170
6LR 14/21	25	18,5	38,3		305	299	294	284	263	242	214	179
6LR 14/22	25	18,5	38,3		319	314	308	297	275	253	224	187
6LR 14/23	25	18,5	38,3		334	328	322	311	288	265	235	196
6LR 14/24	25	18,5	38,3		348	342	336	324	300	276	245	204
6LR 14/25	25	18,5	38,3		363	356	350	338	313	288	255	213



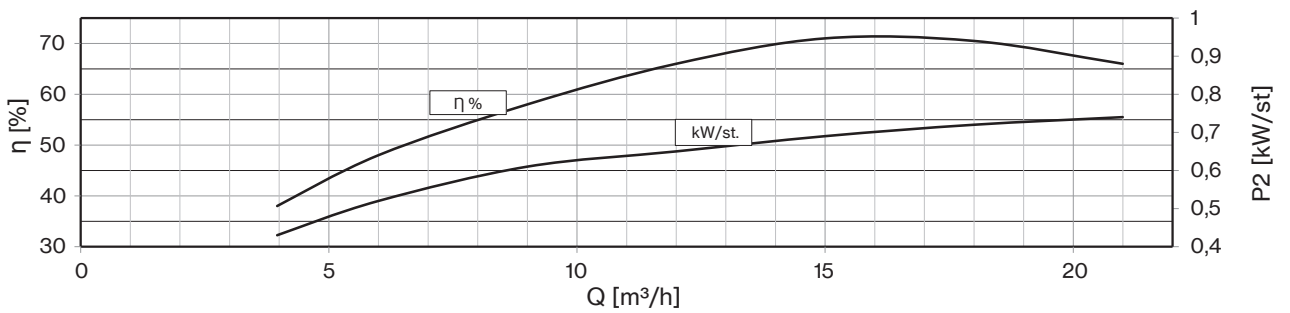
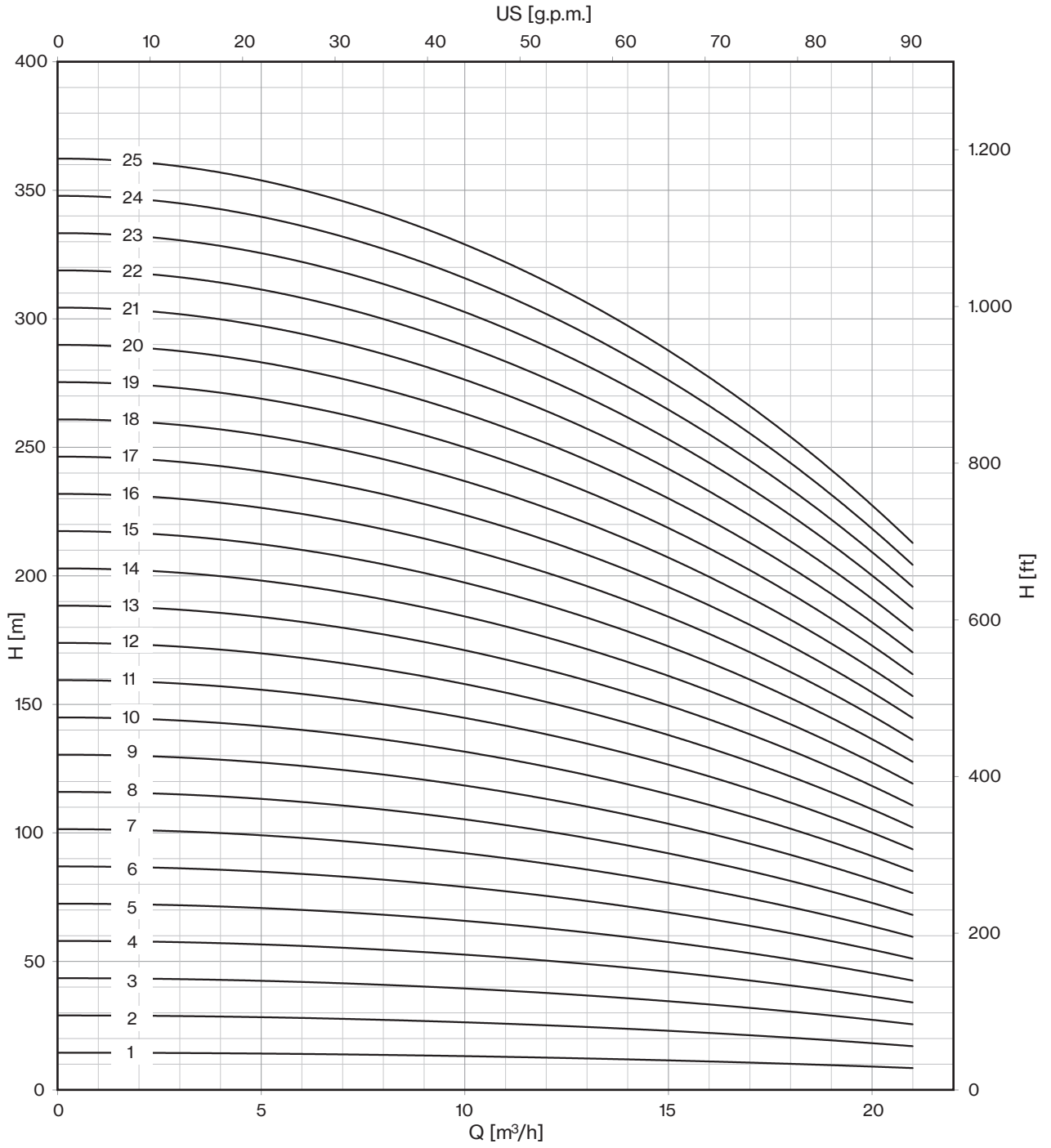
Motor 50 Hz 2900 rpm	DIMENSIONS (mm)			Weight (kg)	
	TYPE	A	B	C	M
6LR 14/01	614	277	337	10	9
6LR 14/02	736	344	392	13	12
6LR 14/03	863	411	452	15	16
6LR 14/04	1035	478	557	19	19
6LR 14/05	1142	545	597	22	23
6LR 14/06	1310	612	698	27	27
6LR 14/07	1377	679	698	27	30
6LR 14/08	1472	771	701	55	35
6LR 14/09	1539	838	701	55	39
6LR 14/10	1606	905	701	55	43
6LR 14/11	1723	972	751	60	46
6LR 14/12	1790	1039	751	60	50
6LR 14/13	1917	1106	811	65	53
6LR 14/14	1984	1173	811	65	57
6LR 14/15	2081	1240	841	70	61
6LR 14/16	2148	1307	841	70	64
6LR 14/17	2215	1374	841	70	68
6LR 14/18	2372	1441	931	75	71
6LR 14/19	2439	1508	931	75	75
6LR 14/20	2506	1575	931	75	79
6LR 14/21	2633	1642	991	83	82
6LR 14/22	2700	1709	991	83	86
6LR 14/23	2767	1776	991	83	89
6LR 14/24	2834	1843	991	83	93
6LR 14/25	2901	1910	991	83	97

Max Eff. % =	71
Max kW / St. =	0,74

Q (flow)	25%	50%	75%	100%
NPSH (m)	3	3	4	6

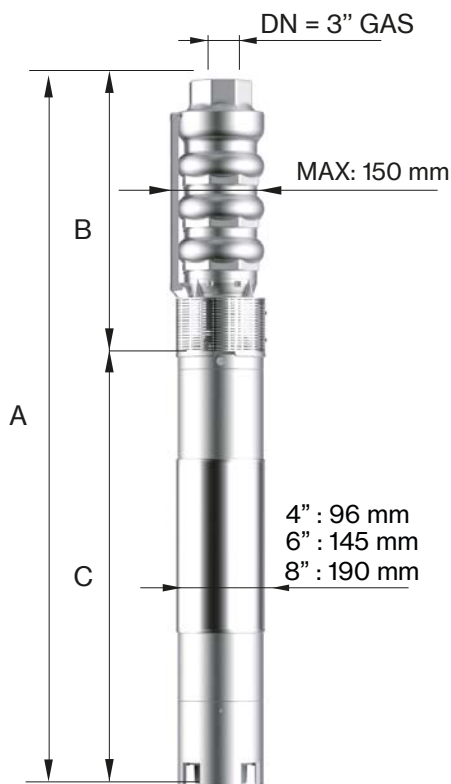


# 6LR 14





Motor 50 Hz - 2900 rpm				Q								
TYPE	Power		400 V	l/min	0	66	100	150	200	250	300	350
	HP	kW			A	l/sec	1,1	1,7	2,5	3,3	4,2	5,0
			m <sup>3</sup> /h	0		4	6	9	12	15	18	21
6LR 14/26	30	22	45,1	H[m]	377	371	364	351	325	299	265	221
6LR 14/27	30	22	45,1		392	385	378	365	338	311	275	230
6LR 14/28	30	22	45,1		406	399	392	378	350	322	286	238
6LR 14/29	30	22	45,1		421	413	406	392	363	334	296	247
6LR 14/30*	35	26	52,9		435	428	420	405	375	345	306	255
6LR 14/31*	35	26	52,9		450	442	434	419	388	357	316	264
6LR 14/32*	35	26	52,9		464	456	448	432	400	368	326	272
6LR 14/33*	35	26	52,9		479	470	462	446	413	380	337	281
6LR 14/34*	35	26	52,9		493	485	476	459	425	391	347	289
6LR 14/35*	35	26	52,9		508	499	490	473	438	403	357	298
6LR 14/36*	40	30	61,1		522	513	504	486	450	414	367	306
6LR 14/37*	40	30	61,1		537	527	518	500	463	426	377	315
6LR 14/38*	40	30	61,1		551	542	532	513	475	437	388	323
6LR 14/39*	40	30	61,1		566	556	546	527	488	449	398	332
6LR 14/40*	40	30	61,1		580	570	560	540	500	460	408	340
6LR 14/41*	50	37	75,8		595	584	574	554	513	472	418	349
6LR 14/42*	50	37	75,8		609	599	588	567	525	483	428	357
6LR 14/43*	50	37	75,8		624	613	602	581	538	495	439	366
6LR 14/44*	50	37	75,8		638	627	616	594	550	506	449	374
6LR 14/45*	50	37	75,8		653	641	630	608	563	518	459	383
6LR 14/46*	50	37	75,8		667	656	644	621	575	529	469	391
6LR 14/47*	50	37	75,8		682	670	658	635	588	541	479	400
6LR 14/48*	50	37	75,8		696	684	672	648	600	552	490	408
6LR 14/49*	50	37	75,8		711	698	686	662	613	564	500	417
6LR 14/50*	50	37	75,8		725	713	700	675	625	575	510	425



Motor 50 Hz 2900 rpm	DIMENSIONS (mm)			Weight (kg)	
TYPE	A	B	C	M	P
6LR 14/26	3048	1977	1071	92	99
6LR 14/27	3115	2044	1071	92	102
6LR 14/28	3182	2111	1071	92	106
6LR 14/29	3249	2178	1071	92	109
6LR 14/30*	3506	2325	1181	100	117
6LR 14/31*	3573	2392	1181	100	120
6LR 14/32*	3640	2459	1181	100	124
6LR 14/33*	3707	2526	1181	100	127
6LR 14/34*	3774	2593	1181	100	131
6LR 14/35*	3841	2660	1181	100	135
6LR 14/36*	3978	2727	1251	108	138
6LR 14/37*	4045	2794	1251	108	142
6LR 14/38*	4112	2861	1251	108	145
6LR 14/39*	4179	2928	1251	108	149
6LR 14/40*	4246	2995	1251	108	153
6LR 14/41*	4403	3062	1341	118	156
6LR 14/42*	4470	3129	1341	118	160
6LR 14/43*	4537	3196	1341	118	163
6LR 14/44*	4604	3263	1341	118	167
6LR 14/45*	4671	3330	1341	118	171
6LR 14/46*	4738	3397	1341	118	174
6LR 14/47*	4805	3464	1341	118	178
6LR 14/48*	4872	3531	1341	118	181
6LR 14/49*	4939	3598	1341	118	185
6LR 14/50*	5006	3665	1341	118	189

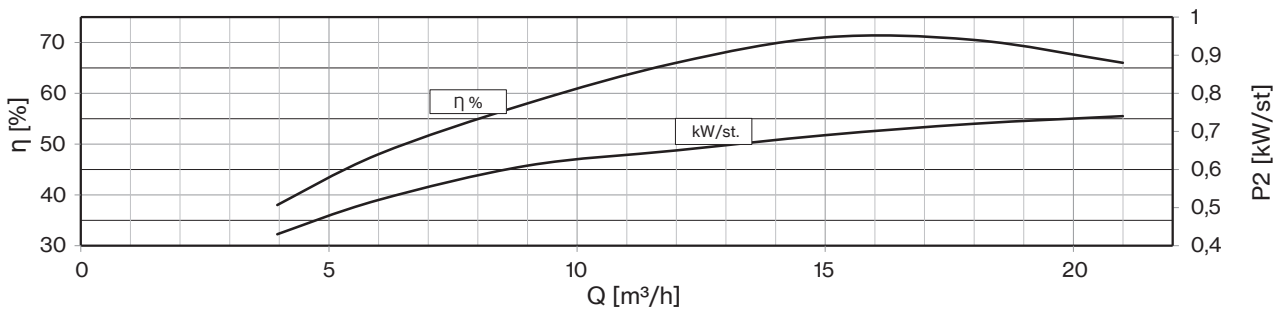
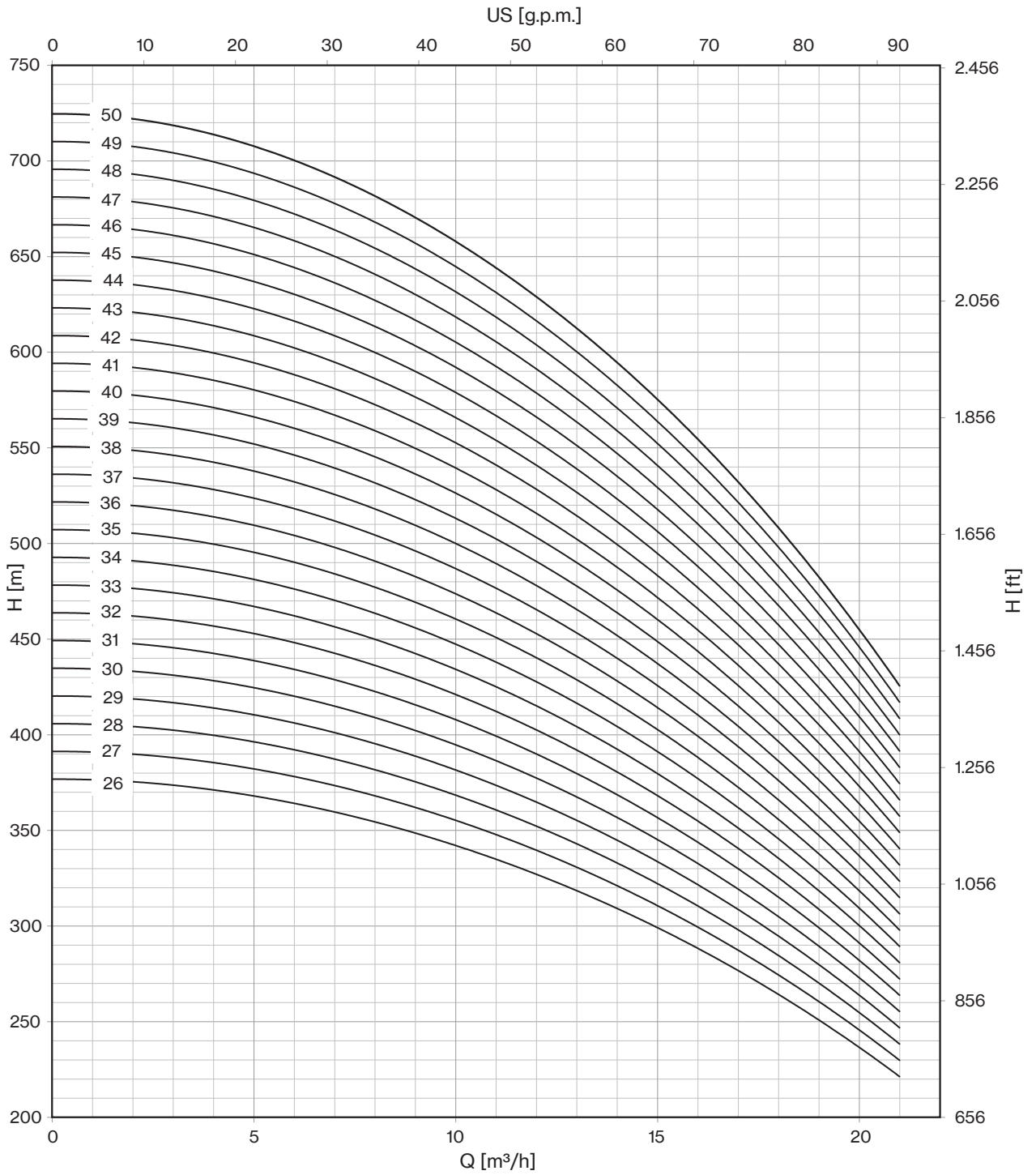
Max Eff. % =	71
Max kW / St. =	0,74

Q (flow)	25%	50%	75%	100%
NPSH (m)	3	3	4	6

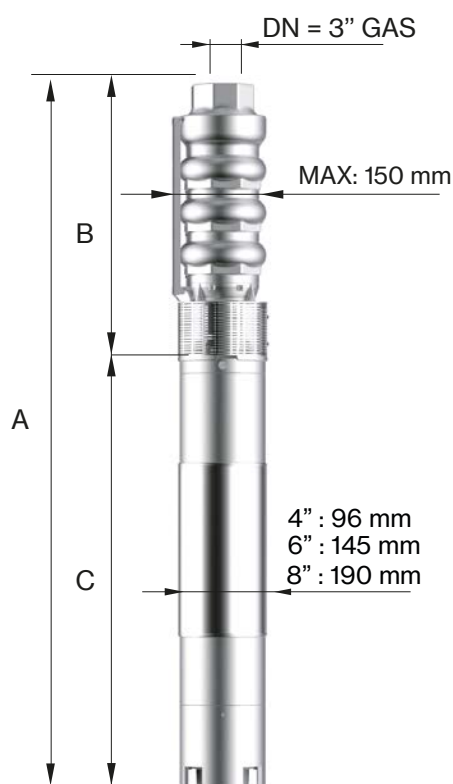
\* Coupled pump shaft



# 6LR 14



Motor 50 Hz - 2900 rpm				Q									
TYPE	Power		400 V	l/min	0	100	150	200	250	300	350	400	450
	HP	kW	A		0	1,7	2,5	3,3	4,2	5,0	5,8	6,7	7,5
					l/sec	0	6	9	12	15	18	21	24
				m <sup>3</sup> /h	H[m]								
6LR 20/01	2	1,5	4,0		16	15	14	14	13	12	11	9	7
6LR 20/02	3	2,2	5,5		31	30	28	28	26	25	22	19	15
6LR 20/03	4	3	7,5		47	45	42	41	40	37	33	28	22
6LR 20/04	5,5	4	10,0		62	60	56	55	53	49	44	37	29
6LR 20/05	7,5	5,5	12,5		78	75	71	69	66	62	55	47	37
6LR 20/06	7,5	5,5	12,5		93	90	85	83	79	74	66	56	44
6LR 20/07	10	7,5	16,3		109	105	99	97	92	86	77	65	51
6LR 20/08	10	7,5	16,3		124	120	113	110	106	98	88	74	58
6LR 20/09	12,5	9,2	19,9		140	135	127	124	119	111	99	84	66
6LR 20/10	12,5	9,2	19,9		155	150	141	138	132	123	110	93	73
6LR 20/11	15	11	23,4		171	165	155	152	145	135	121	102	80
6LR 20/12	15	11	23,4		186	180	169	166	158	148	132	112	88
6LR 20/13	17,5	13	27,3		202	195	183	179	172	160	143	121	95
6LR 20/14	17,5	13	27,3		217	210	197	193	185	172	154	130	102
6LR 20/15	20	15	31,5		233	225	212	207	198	185	165	140	110
6LR 20/16	20	15	31,5		248	240	226	221	211	197	176	149	117
6LR 20/17	25	18,5	38,3		264	255	240	235	224	209	187	158	124
6LR 20/18	25	18,5	38,3		279	270	254	248	238	221	198	167	131
6LR 20/19	25	18,5	38,3		295	285	268	262	251	234	209	177	139
6LR 20/20	25	18,5	38,3		310	300	282	276	264	246	220	186	146
6LR 20/21	30	22	45,1		326	315	296	290	277	258	231	195	153
6LR 20/22	30	22	45,1		341	330	310	304	290	271	242	205	161
6LR 20/23	30	22	45,1		357	345	324	317	304	283	253	214	168
6LR 20/24	30	22	45,1		372	360	338	331	317	295	264	223	175



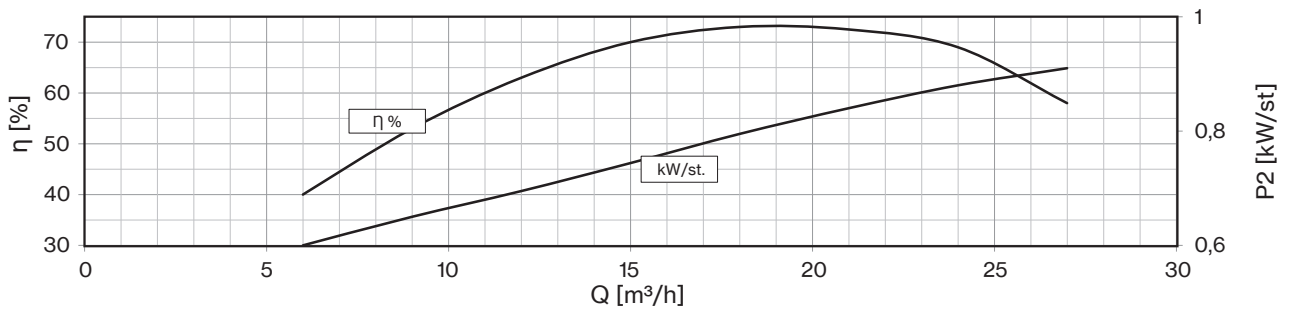
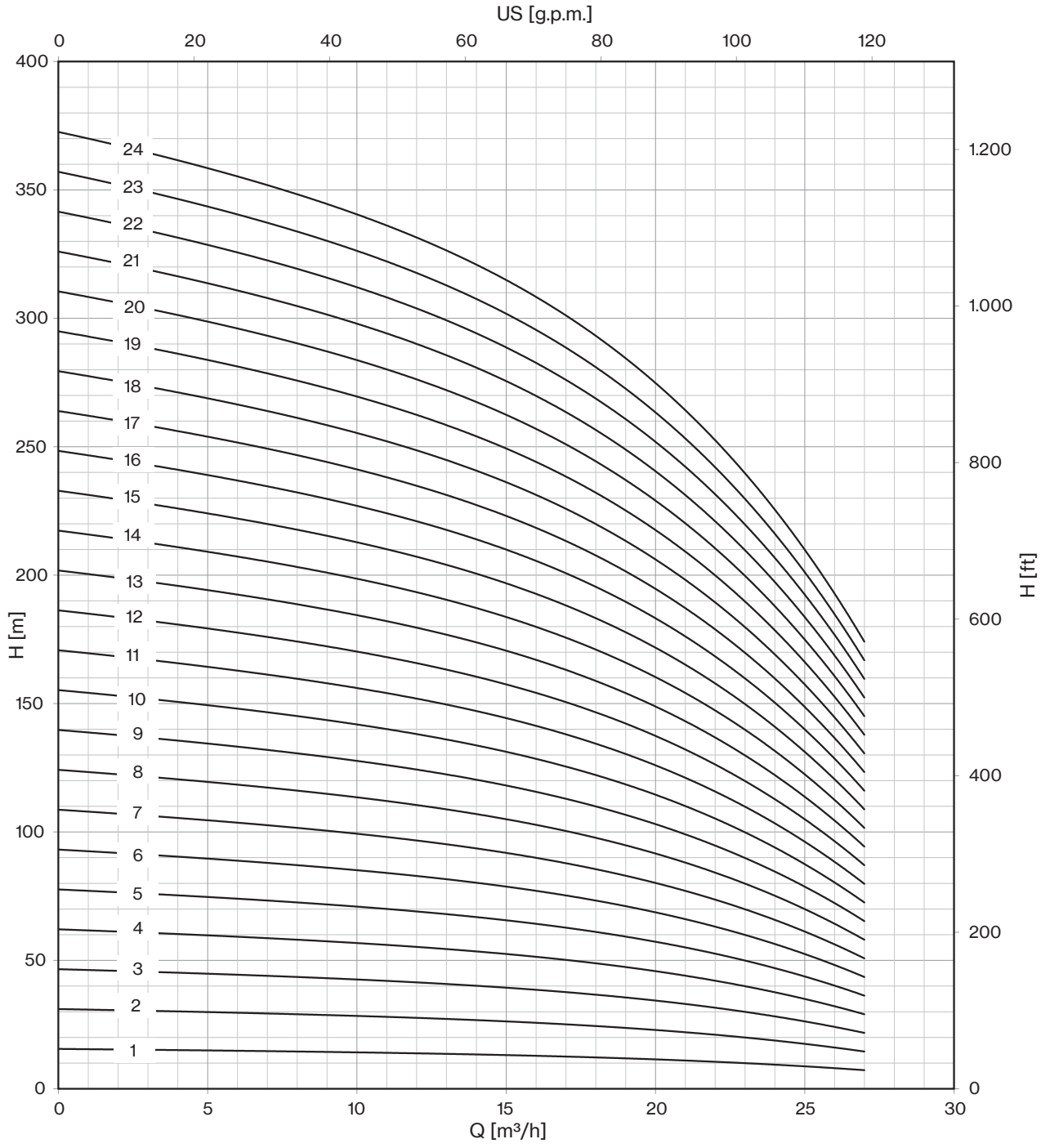
Motor 50 Hz 2900 rpm	DIMENSIONS (mm)			Weight (kg)	
TYPE	A	B	C	M	P
6LR 20/01	669	277	392	13	9
6LR 20/02	796	344	452	15	12
6LR 20/03	968	411	557	19	16
6LR 20/04	1075	478	597	22	19
6LR 20/05	1243	545	698	27	23
6LR 20/06	1310	612	698	27	27
6LR 20/07	1405	704	701	55	32
6LR 20/08	1472	771	701	55	35
6LR 20/09	1589	838	751	60	39
6LR 20/10	1656	905	751	60	43
6LR 20/11	1783	972	811	65	46
6LR 20/12	1850	1039	811	65	50
6LR 20/13	1947	1106	841	70	53
6LR 20/14	2014	1173	841	70	57
6LR 20/15	2171	1240	931	75	61
6LR 20/16	2238	1307	931	75	64
6LR 20/17	2365	1374	991	83	68
6LR 20/18	2432	1441	991	83	71
6LR 20/19	2499	1508	991	83	75
6LR 20/20	2566	1575	991	83	79
6LR 20/21	2713	1642	1071	92	82
6LR 20/22	2780	1709	1071	92	86
6LR 20/23	2847	1776	1071	92	89
6LR 20/24	2914	1843	1071	92	93

Max Eff. % =	73
Max kW / St. =	0,91

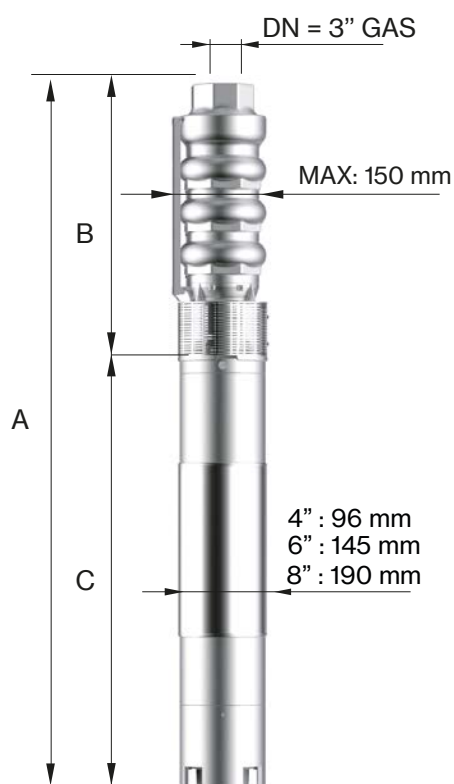
Q (flow)	25%	50%	75%	100%
NPSH (m)	3	3	4	6



# 6LR 20



Motor 50 Hz - 2900 rpm				Q									
TYPE	Power		400 V	l/min	0	100	150	200	250	300	350	400	450
	HP	kW	A		l/sec	0	1,7	2,5	3,3	4,2	5,0	5,8	6,7
				m <sup>3</sup> /h	0	6	9	12	15	18	21	24	27
6LR 20/25	35	26	52,9	H[m]	388	375	353	345	330	308	275	233	183
6LR 20/26	35	26	52,9		403	390	367	359	343	320	286	242	190
6LR 20/27	35	26	52,9		419	405	381	373	356	332	297	251	197
6LR 20/28	35	26	52,9		434	420	395	386	370	344	308	260	204
6LR 20/29	40	30	61,1		450	435	409	400	383	357	319	270	212
6LR 20/30*	40	30	61,1		465	450	423	414	396	369	330	279	219
6LR 20/31*	40	30	61,1		481	465	437	428	409	381	341	288	226
6LR 20/32*	40	30	61,1		496	480	451	442	422	394	352	298	234
6LR 20/33*	40	30	61,1		512	495	465	455	436	406	363	307	241
6LR 20/34*	50	37	75,8		527	510	479	469	449	418	374	316	248
6LR 20/35*	50	37	75,8		543	525	494	483	462	431	385	326	256
6LR 20/36*	50	37	75,8		558	540	508	497	475	443	396	335	263
6LR 20/37*	50	37	75,8		574	555	522	511	488	455	407	344	270
6LR 20/38*	50	37	75,8		589	570	536	524	502	467	418	353	277
6LR 20/39*	50	37	75,8		605	585	550	538	515	480	429	363	285
6LR 20/40*	50	37	75,8		620	600	564	552	528	492	440	372	292
6LR 20/41*	60	45	86,3		636	615	578	566	541	504	451	381	299
6LR 20/42*	60	45	86,3		651	630	592	580	554	517	462	391	307
6LR 20/43*	60	45	86,3		667	645	606	593	568	529	473	400	314
6LR 20/44*	60	45	86,3		682	660	620	607	581	541	484	409	321
6LR 20/45*	60	45	86,3		698	675	635	621	594	554	495	419	329
6LR 20/46*	60	45	86,3		713	690	649	635	607	566	506	428	336
6LR 20/47*	60	45	86,3		729	705	663	649	620	578	517	437	343
6LR 20/48*	60	45	86,3		744	720	677	662	634	590	528	446	350



Motor 50 Hz 2900 rpm	DIMENSIONS (mm)			Weight (kg)	
TYPE	A	B	C	M	P
6LR 20/25	3091	1910	1181	100	97
6LR 20/26	3158	1977	1181	100	100
6LR 20/27	3225	2044	1181	100	104
6LR 20/28	3292	2111	1181	100	107
6LR 20/29	3429	2178	1251	108	111
6LR 20/30*	3576	2325	1251	108	118
6LR 20/31*	3643	2392	1251	108	122
6LR 20/32*	3710	2459	1251	108	125
6LR 20/33*	3777	2526	1251	108	129
6LR 20/34*	3934	2593	1341	118	132
6LR 20/35*	4001	2660	1341	118	136
6LR 20/36*	4068	2727	1341	118	140
6LR 20/37*	4135	2794	1341	118	143
6LR 20/38*	4257	2916	1341	118	148
6LR 20/39*	4324	2983	1341	118	151
6LR 20/40*	4391	3050	1341	118	155
6LR 20/41*	4240	3117	1123	178	159
6LR 20/42*	4307	3184	1123	178	162
6LR 20/43*	4374	3251	1123	178	166
6LR 20/44*	4441	3318	1123	178	169
6LR 20/45*	4508	3385	1123	178	173
6LR 20/46*	4575	3452	1123	178	177
6LR 20/47*	4642	3519	1123	178	180
6LR 20/48*	4709	3586	1123	178	184

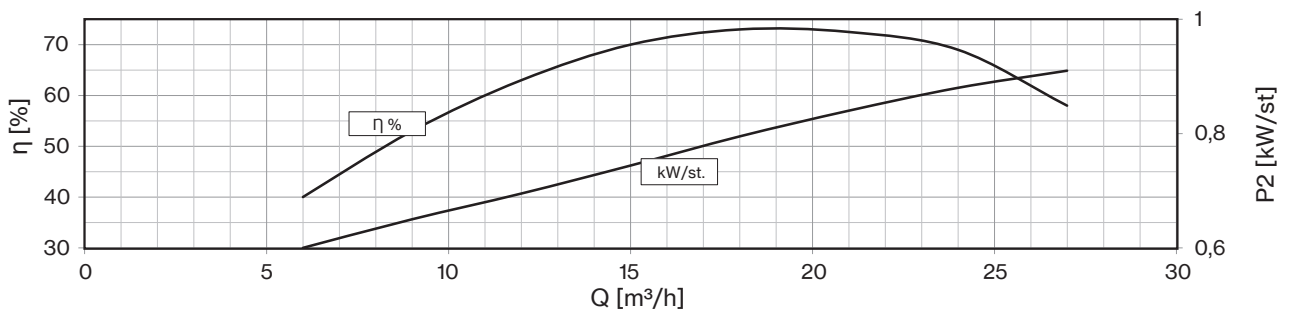
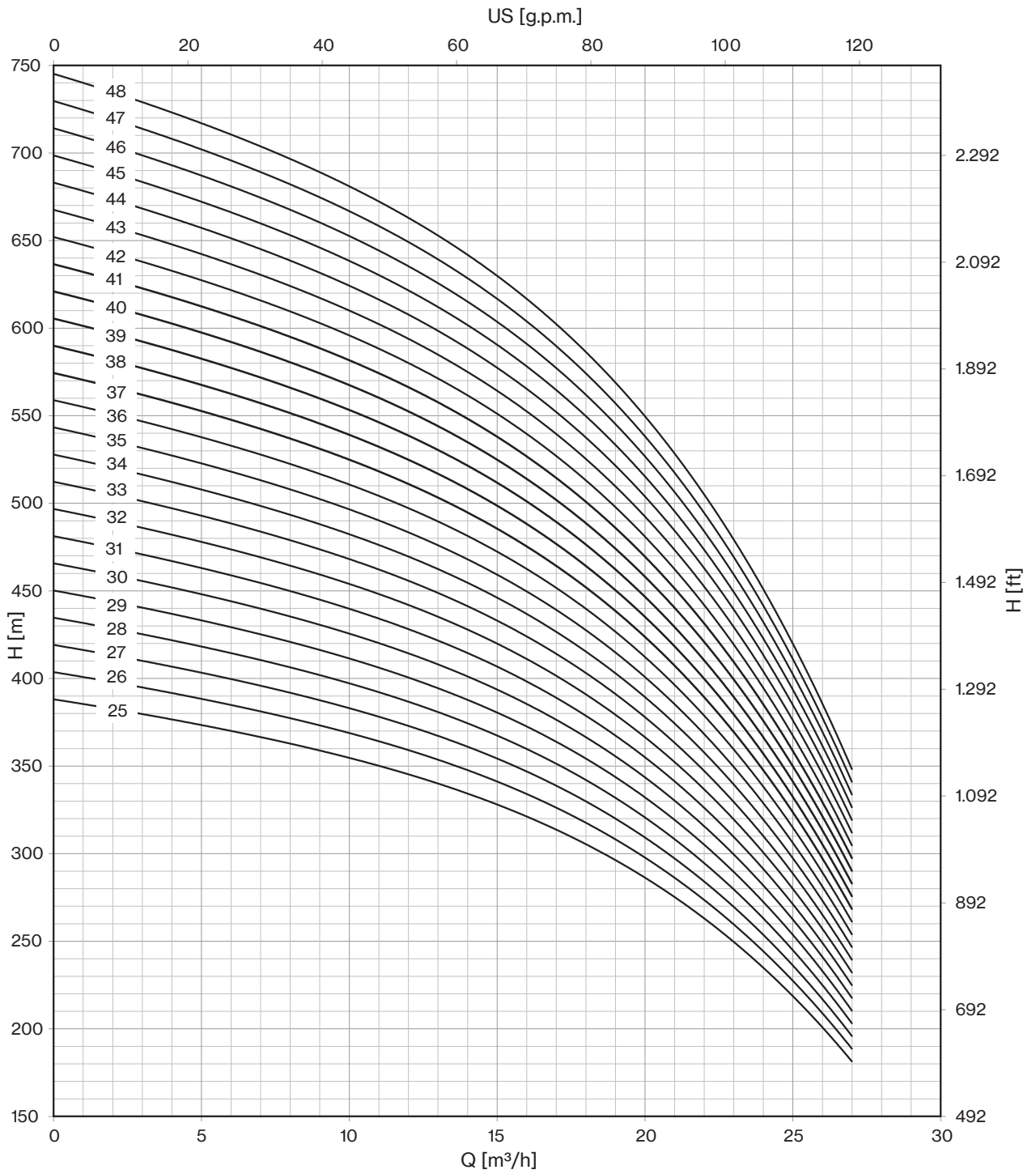
Max Eff. % =	73
Max kW / St. =	0,91

Q (flow)	25%	50%	75%	100%
NPSH (m)	3	3	4	6

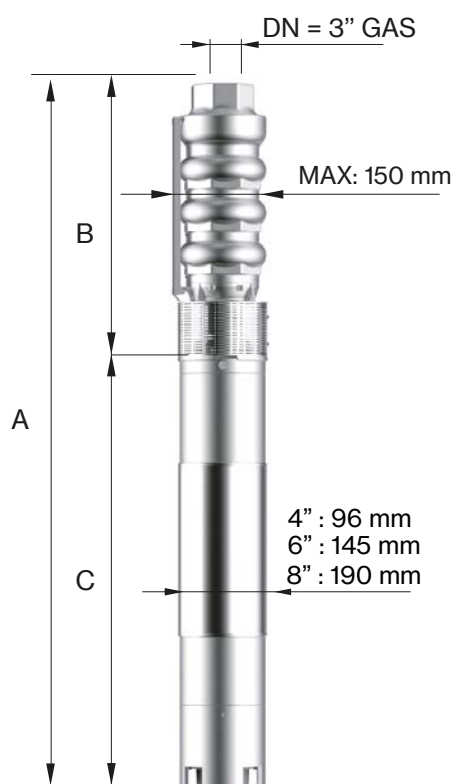
\* Coupled pump shaft



# 6LR 20



Motor 50 Hz - 2900 rpm				Q									
TYPE	Power		400 V	l/min l/sec m <sup>3</sup> /h	0	100	200	300	350	400	450	500	550
	HP	kW			0	1,7	3,3	5,0	5,8	6,7	7,5	8,3	9,2
			A	0	6	12	18	21	24	27	30	33	
6LR 25/01	2	1,5	4,0	H[m]	15	14	13	13	12	12	11	10	8
6LR 25/02	4	3	7,5		30	29	27	25	25	23	21	19	17
6LR 25/03	5,5	4	10,0		45	43	40	38	37	35	32	29	25
6LR 25/04	7,5	5,5	12,5		60	57	54	51	49	46	43	38	34
6LR 25/05	10	7,5	16,3		75	72	67	64	62	58	54	48	42
6LR 25/06	10	7,5	16,3		90	86	80	76	74	70	64	57	50
6LR 25/07	12,5	9,2	19,9		105	100	94	89	86	81	75	67	59
6LR 25/08	12,5	9,2	19,9		120	114	107	102	98	93	86	76	67
6LR 25/09	15	11	23,4		135	129	121	114	111	104	96	86	76
6LR 25/10	17,5	13	27,3		150	143	134	127	123	116	107	95	84
6LR 25/11	17,5	13	27,3		165	157	147	140	135	128	118	105	92
6LR 25/12	20	15	31,5		180	172	161	152	148	139	128	114	101
6LR 25/13	20	15	31,5		195	186	174	165	160	151	139	124	109
6LR 25/14	25	18,5	38,3		210	200	188	178	172	162	150	133	118
6LR 25/15	25	18,5	38,3		225	215	201	191	185	174	161	143	126
6LR 25/16	25	18,5	38,3		240	229	214	203	197	186	171	152	134
6LR 25/17	30	22	45,1		255	243	228	216	209	197	182	162	143
6LR 25/18	30	22	45,1		270	257	241	229	221	209	193	171	151
6LR 25/19	30	22	45,1		285	272	255	241	234	220	203	181	160
6LR 25/20	35	26	52,9		300	286	268	254	246	232	214	190	168
6LR 25/21	35	26	52,9		315	300	281	267	258	244	225	200	176
6LR 25/22	35	26	52,9		330	315	295	279	271	255	235	209	185
6LR 25/23	40	30	61,1		345	329	308	292	283	267	246	219	193
6LR 25/24	40	30	61,1		360	343	322	305	295	278	257	228	202
6LR 25/25	40	30	61,1		375	358	335	318	308	290	268	238	210



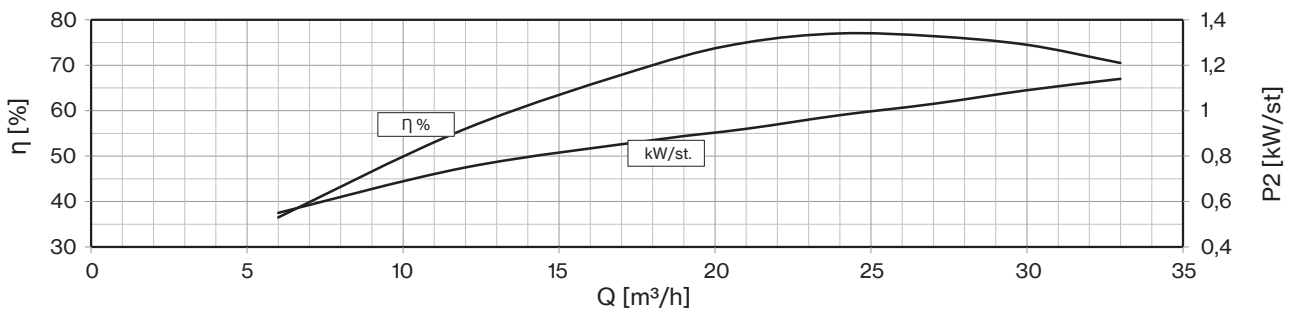
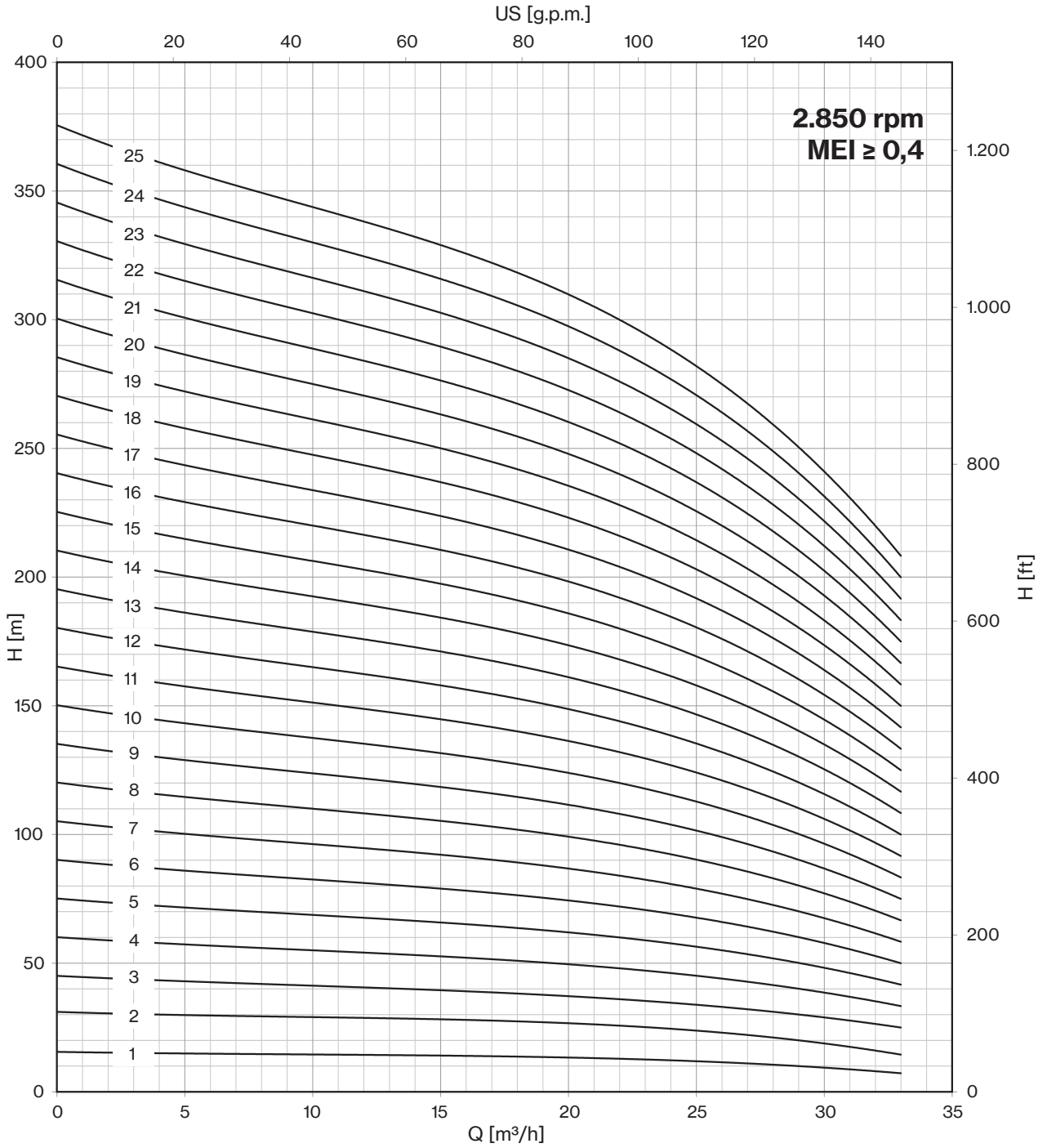
Motor 50 Hz 2900 rpm	DIMENSIONS (mm)			Weight (kg)	
TYPE	A	B	C	M	P
6LR 25/01	669	277	392	13	10
6LR 25/02	901	344	557	19	14
6LR 25/03	1008	411	597	22	17
6LR 25/04	1176	478	698	27	21
6LR 25/05	1246	545	701	55	25
6LR 25/06	1338	637	701	55	28
6LR 25/07	1455	704	751	60	32
6LR 25/08	1522	771	751	60	35
6LR 25/09	1649	838	811	65	39
6LR 25/10	1746	905	841	70	43
6LR 25/11	1813	972	841	70	46
6LR 25/12	1970	1039	931	75	50
6LR 25/13	2037	1106	931	75	53
6LR 25/14	2164	1173	991	83	57
6LR 25/15	2231	1240	991	83	61
6LR 25/16	2298	1307	991	83	64
6LR 25/17	2445	1374	1071	92	68
6LR 25/18	2512	1441	1071	92	71
6LR 25/19	2579	1508	1071	92	75
6LR 25/20	2756	1575	1181	100	79
6LR 25/21	2823	1642	1181	100	82
6LR 25/22	2890	1709	1181	100	86
6LR 25/23	3027	1776	1251	108	89
6LR 25/24	3094	1843	1251	108	93
6LR 25/25	3161	1910	1251	108	97

Max Eff. % =	77
Max kW / St. =	1,14

Q (flow)	25%	50%	75%	100%
NPSH (m)	3	3	4,5	6,6

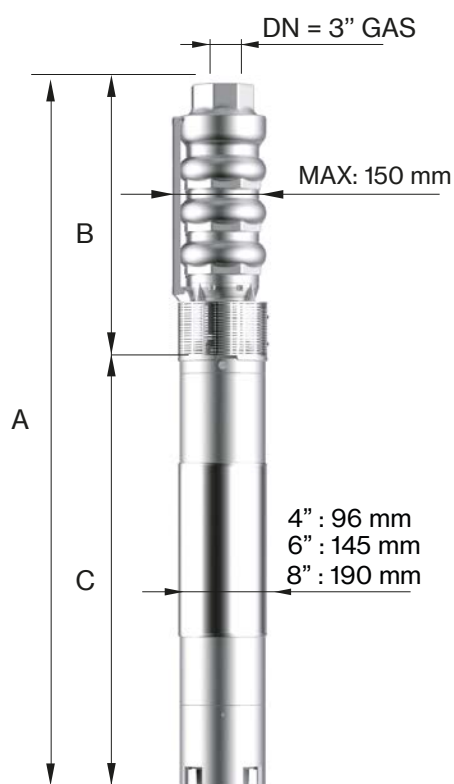


# 6LR 25





Motor 50 Hz - 2900 rpm				Q									
TYPE	Power		400 V	l/min l/sec m <sup>3</sup> /h	0	100	200	300	350	400	450	500	550
	HP	kW	A		0	1,7	3,3	5,0	5,8	6,7	7,5	8,3	9,2
					0	6	12	18	21	24	27	30	33
6LR 25/26*	40	30	61,1	H[m]	390	372	348	330	320	302	278	247	218
6LR 25/27*	50	37	75,8		405	386	362	343	332	313	289	257	227
6LR 25/28*	50	37	75,8		420	400	375	356	344	325	300	266	235
6LR 25/29*	50	37	75,8		435	415	389	368	357	336	310	276	244
6LR 25/30*	50	37	75,8		450	429	402	381	369	348	321	285	252
6LR 25/31*	50	37	75,8		465	443	415	394	381	360	332	295	260
6LR 25/32*	50	37	75,8		480	458	429	406	394	371	342	304	269
6LR 25/33*	60	45	86,3		495	472	442	419	406	383	353	314	277
6LR 25/34*	60	45	86,3		510	486	456	432	418	394	364	323	286
6LR 25/35*	60	45	86,3		525	501	469	445	431	406	375	333	294
6LR 25/36*	60	45	86,3		540	515	482	457	443	418	385	342	302
6LR 25/37*	60	45	86,3		555	529	496	470	455	429	396	352	311
6LR 25/38*	60	45	86,3		570	543	509	483	467	441	407	361	319
6LR 25/39*	60	45	86,3		585	558	523	495	480	452	417	371	328
6LR 25/40*	75	55	106,2		600	572	536	508	492	464	428	380	336
6LR 25/41*	75	55	106,2		615	586	549	521	504	476	439	390	344
6LR 25/42*	75	55	106,2		630	601	563	533	517	487	449	399	353
6LR 25/43*	75	55	106,2		645	615	576	546	529	499	460	409	361
6LR 25/44*	75	55	106,2		660	629	590	559	541	510	471	418	370
6LR 25/45*	75	55	106,2		675	644	603	572	554	522	482	428	378
6LR 25/46*	75	55	106,2		690	658	616	584	566	534	492	437	386
6LR 25/47*	75	55	106,2		705	672	630	597	578	545	503	447	395
6LR 25/48*	75	55	106,2		720	686	643	610	590	557	514	456	403
6LR 25/49*	90	66	126,0		735	701	657	622	603	568	524	466	412
6LR 25/50*	90	66	126,0		750	715	670	635	615	580	535	475	420



Motor 50 Hz 2900 rpm	DIMENSIONS (mm)			Weight (kg)	
TYPE	A	B	C	M	P
6LR 25/26*	3308	2057	1251	108	104
6LR 25/27*	3465	2124	1341	118	107
6LR 25/28*	3532	2191	1341	118	111
6LR 25/29*	3599	2258	1341	118	114
6LR 25/30*	3666	2325	1341	118	118
6LR 25/31*	3733	2392	1341	118	122
6LR 25/32*	3800	2459	1341	118	125
6LR 25/33*	3649	2526	1123	178	129
6LR 25/34*	3716	2593	1123	178	132
6LR 25/35*	3783	2660	1123	178	136
6LR 25/36*	3850	2727	1123	178	140
6LR 25/37*	3972	2849	1123	178	144
6LR 25/38*	4039	2916	1123	178	148
6LR 25/39*	4106	2983	1123	178	151
6LR 25/40*	4283	3050	1233	200	155
6LR 25/41*	4350	3117	1233	200	159
6LR 25/42*	4417	3184	1233	200	162
6LR 25/43*	4484	3251	1233	200	166
6LR 25/44*	4551	3318	1233	200	169
6LR 25/45*	4618	3385	1233	200	173
6LR 25/46*	4685	3452	1233	200	177
6LR 25/47*	4752	3519	1233	200	180
6LR 25/48*	4819	3586	1233	200	184
6LR 25/49*	4955	3653	1302	214	187
6LR 25/50*	5022	3720	1302	214	191

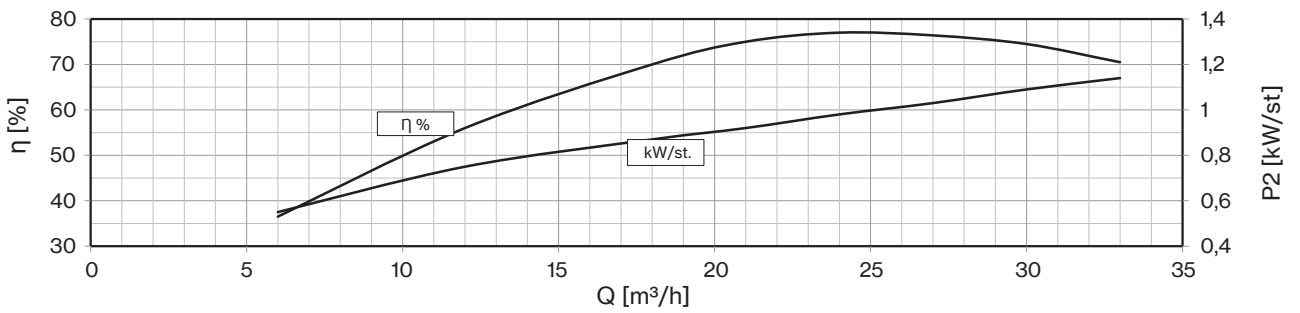
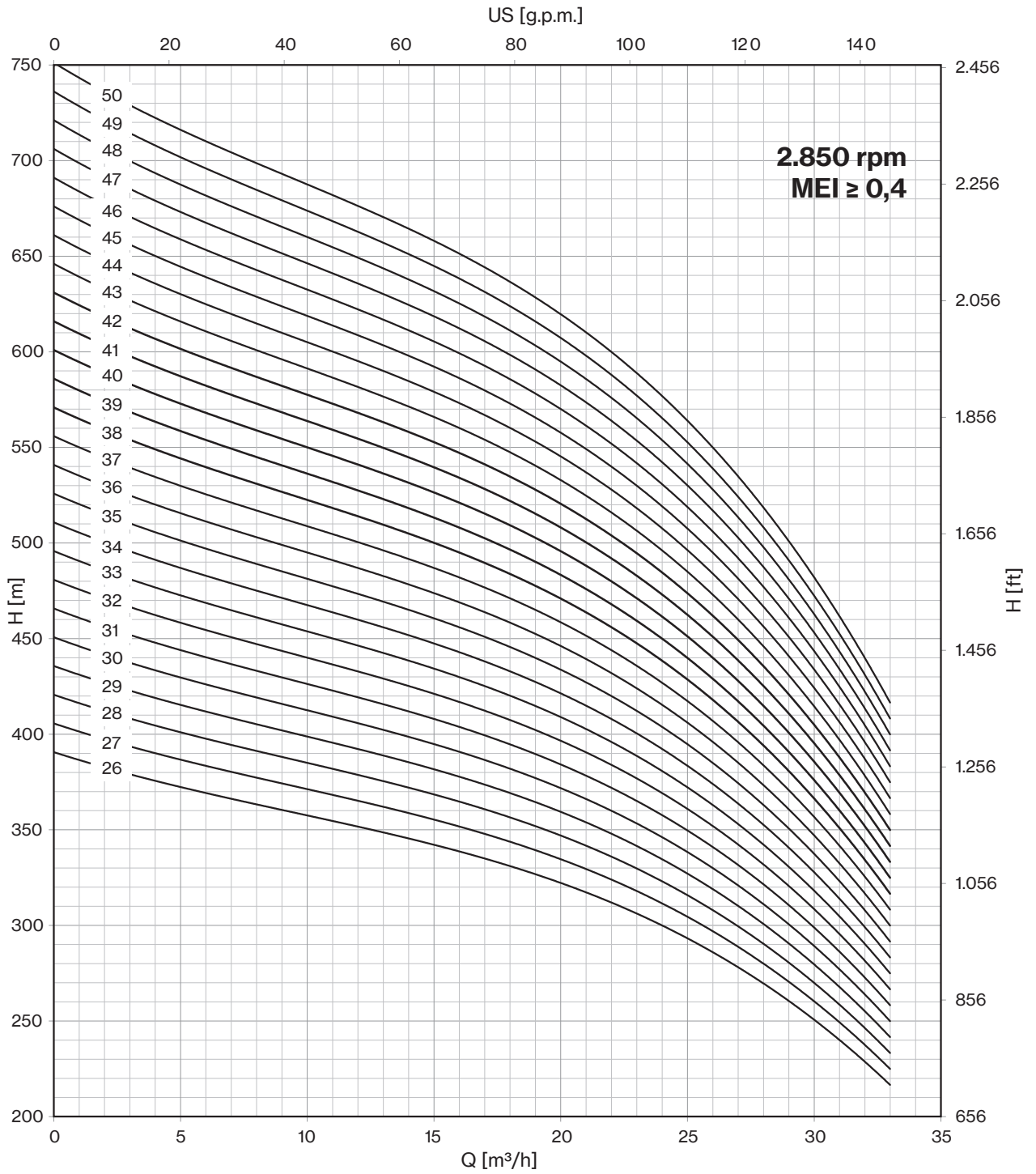
Max Eff. % =	77
Max kW / St. =	1,14

Q (flow)	25%	50%	75%	100%
NPSH (m)	3	3	4,5	6,6

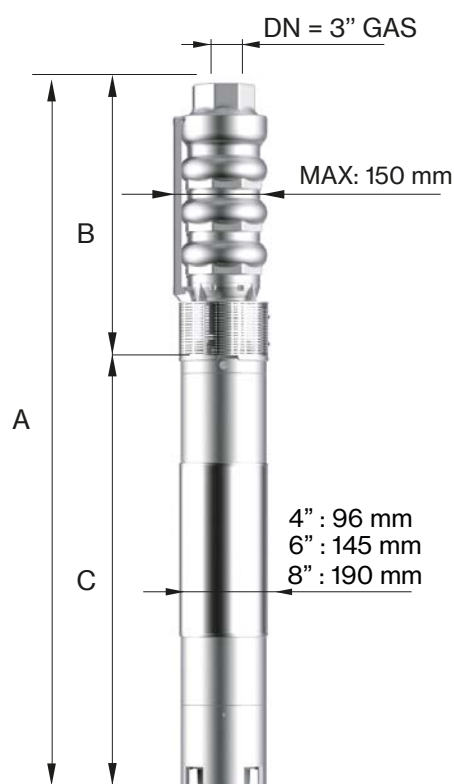
\* Coupled pump shaft



# 6LR 25



Motor 50 Hz - 2900 rpm				Q									
TYPE	Power		400 V	l/min	0	100	150	200	300	400	500	600	700
	HP	kW			l/sec	0	1,7	2,5	3,3	5,0	6,7	8,3	10,0
			A	m <sup>3</sup> /h		0	6	9	12	18	24	30	36
6LR 32/01	2	1,5	4,0	H[m]	15	15	14	14	14	13	11	9	7
6LR 32/02	4	3	7,5		30	30	29	28	27	25	23	19	15
6LR 32/03	5,5	4	10,0		45	44	43	42	41	38	34	28	22
6LR 32/04	7,5	5,5	12,5		60	59	58	56	54	51	45	38	29
6LR 32/05	10	7,5	16,3		75	74	72	71	68	64	57	47	37
6LR 32/06	12,5	9,2	19,9		90	89	86	85	82	76	68	56	44
6LR 32/07	15	11	23,4		105	104	101	99	95	89	79	66	51
6LR 32/08	15	11	23,4		120	118	115	113	109	102	90	75	58
6LR 32/09	17,5	13	27,3		135	133	130	127	122	114	102	85	66
6LR 32/10	20	15	31,5		150	148	144	141	136	127	113	94	73
6LR 32/11	20	15	31,5		165	163	158	155	150	140	124	103	80
6LR 32/12	25	18,5	38,3		180	178	173	169	163	152	136	113	88
6LR 32/13	25	18,5	38,3		195	192	187	183	177	165	147	122	95
6LR 32/14	25	18,5	38,3		210	207	202	197	190	178	158	132	102
6LR 32/15	30	22	45,1		225	222	216	212	204	191	170	141	110
6LR 32/16	30	22	45,1		240	237	230	226	218	203	181	150	117
6LR 32/17	35	26	52,9		255	252	245	240	231	216	192	160	124
6LR 32/18	35	26	52,9		270	266	259	254	245	229	203	169	131
6LR 32/19	35	26	52,9		285	281	274	268	258	241	215	179	139
6LR 32/20	40	30	61,1		300	296	288	282	272	254	226	188	146
6LR 32/21	40	30	61,1		315	311	302	296	286	267	237	197	153
6LR 32/22	40	30	61,1		330	326	317	310	299	279	249	207	161
6LR 32/23	50	37	75,8		345	340	331	324	313	292	260	216	168
6LR 32/24	50	37	75,8		360	355	346	338	326	305	271	226	175
6LR 32/25	50	37	75,8		375	370	360	353	340	318	283	235	183



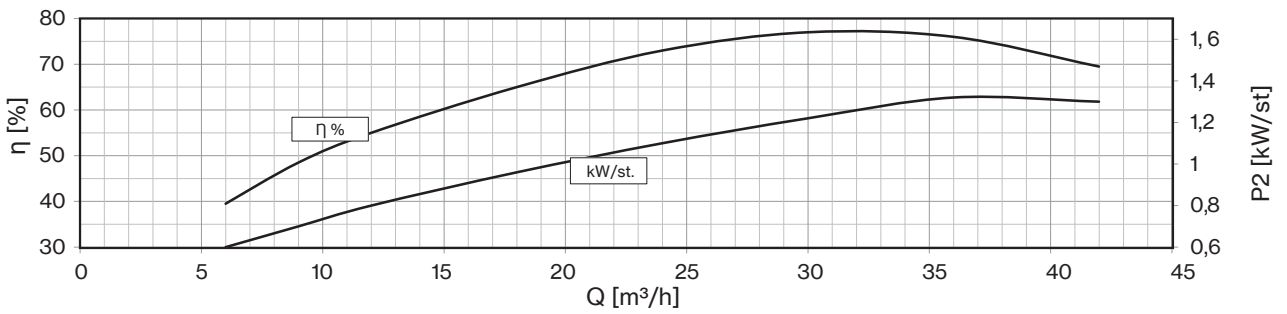
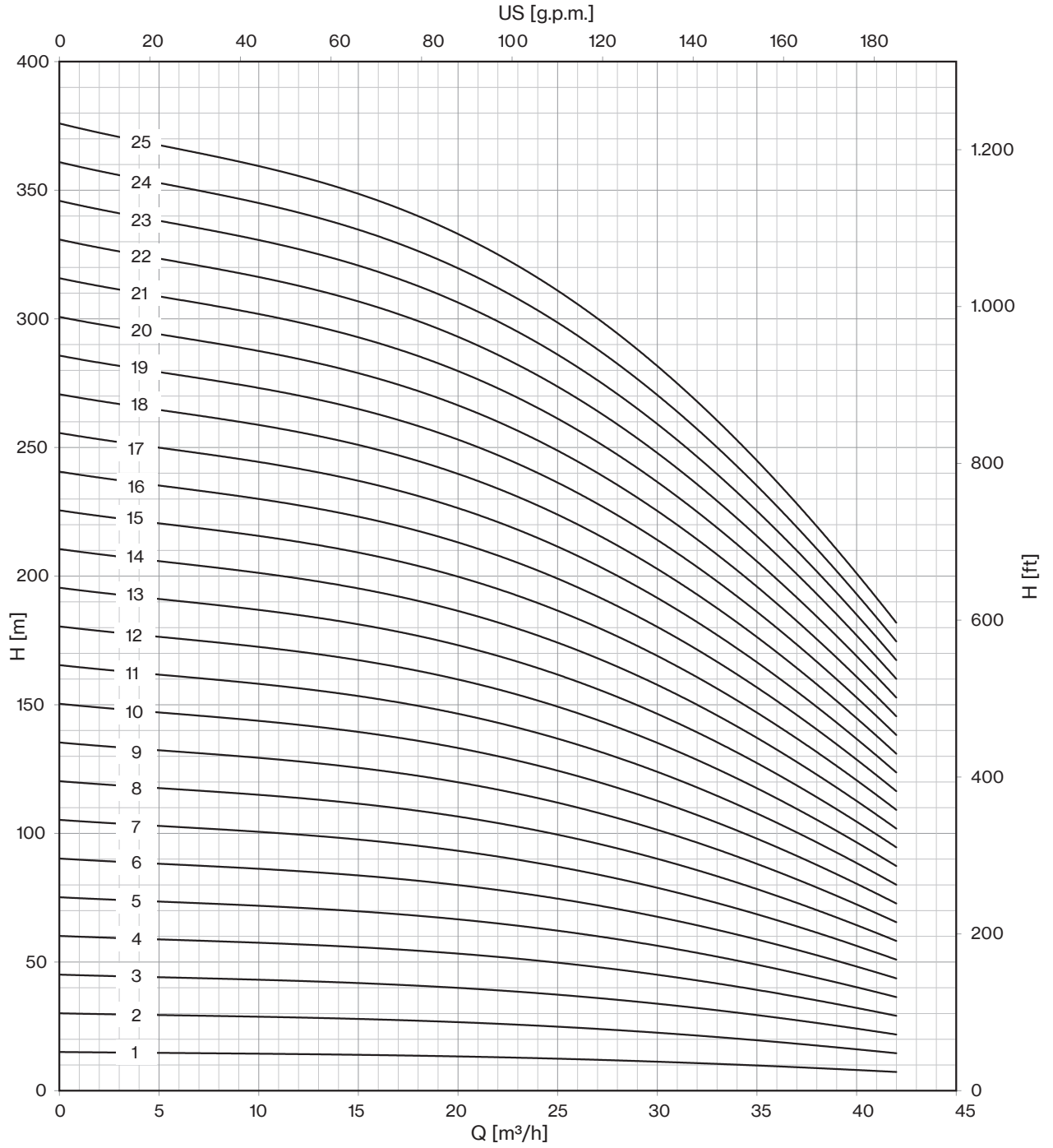
Motor 50 Hz 2900 rpm	DIMENSIONS (mm)			Weight (kg)	
TYPE	A	B	C	M	P
6LR 32/01	669	277	392	13	9
6LR 32/02	901	344	557	19	12
6LR 32/03	1008	411	597	22	16
6LR 32/04	1176	478	698	27	19
6LR 32/05	1271	570	701	55	25
6LR 32/06	1388	637	751	60	28
6LR 32/07	1515	704	811	65	32
6LR 32/08	1582	771	811	65	35
6LR 32/09	1679	838	841	70	39
6LR 32/10	1836	905	931	75	43
6LR 32/11	1903	972	931	75	46
6LR 32/12	2030	1039	991	83	50
6LR 32/13	2097	1106	991	83	53
6LR 32/14	2164	1173	991	83	57
6LR 32/15	2311	1240	1071	92	61
6LR 32/16	2378	1307	1071	92	64
6LR 32/17	2555	1374	1181	100	68
6LR 32/18	2622	1441	1181	100	71
6LR 32/19	2689	1508	1181	100	75
6LR 32/20	2826	1575	1251	108	79
6LR 32/21	2893	1642	1251	108	82
6LR 32/22	2960	1709	1251	108	86
6LR 32/23	3117	1776	1341	118	89
6LR 32/24	3184	1843	1341	118	93
6LR 32/25	3251	1910	1341	118	97

Max Eff. % =	77
Max kW / St. =	1,32

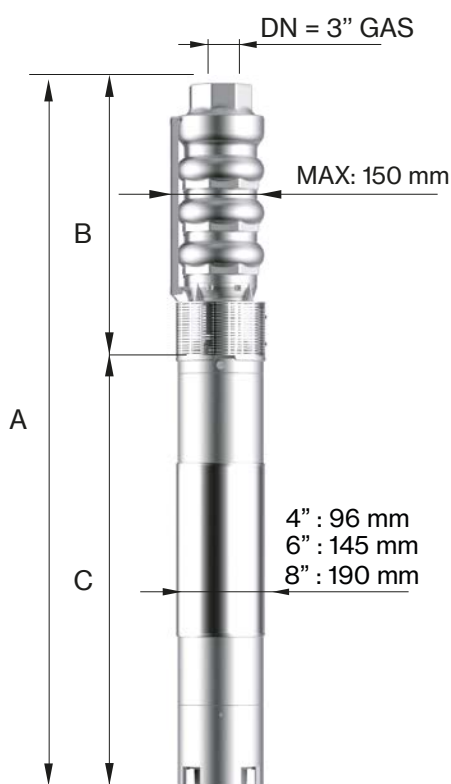
Q (flow)	25%	50%	75%	100%
NPSH (m)	3,4	3,4	3,9	7,5



# 6LR 32



Motor 50 Hz - 2900 rpm				Q									
TYPE	Power		400 V	l/min l/sec m <sup>3</sup> /h	0	100	150	200	300	400	500	600	700
	HP	kW	A		0	1,7	2,5	3,3	5,0	6,7	8,3	10,0	11,7
					0	6	9	12	18	24	30	36	42
6LR 32/26*	50	37	75,8	H[m]	390	385	374	367	354	330	294	244	190
6LR 32/27*	50	37	75,8		405	400	389	381	367	343	305	254	197
6LR 32/28*	50	37	75,8		420	414	403	395	381	356	316	263	204
6LR 32/29*	60	45	86,3		435	429	418	409	394	368	328	273	212
6LR 32/30*	60	45	86,3		450	444	432	423	408	381	339	282	219
6LR 32/31*	60	45	86,3		465	459	446	437	422	394	350	291	226
6LR 32/32*	60	45	86,3		480	474	461	451	435	406	362	301	234
6LR 32/33*	60	45	86,3		495	488	475	465	449	419	373	310	241
6LR 32/34*	60	45	86,3		510	503	490	479	462	432	384	320	248
6LR 32/35*	75	55	106,2		525	518	504	494	476	445	396	329	256
6LR 32/36*	75	55	106,2		540	533	518	508	490	457	407	338	263
6LR 32/37*	75	55	106,2		555	548	533	522	503	470	418	348	270
6LR 32/38*	75	55	106,2		570	562	547	536	517	483	429	357	277
6LR 32/39*	75	55	106,2		585	577	562	550	530	495	441	367	285
6LR 32/40*	75	55	106,2		600	592	576	564	544	508	452	376	292
6LR 32/41*	75	55	106,2		615	607	590	578	558	521	463	385	299
6LR 32/42*	90	66	126,0		630	622	605	592	571	533	475	395	307
6LR 32/43*	90	66	126,0		645	636	619	606	585	546	486	404	314
6LR 32/44*	90	66	126,0		660	651	634	620	598	559	497	414	321
6LR 32/45*	90	66	126,0		675	666	648	635	612	572	509	423	329
6LR 32/46*	90	66	126,0		690	681	662	649	626	584	520	432	336
6LR 32/47*	90	66	126,0		705	696	677	663	639	597	531	442	343
6LR 32/48*	90	66	126,0		720	710	691	677	653	610	542	451	350
6LR 32/49*	90	66	126,0		735	725	706	691	666	622	554	461	358
6LR 32/50*	90	66	126,0		750	740	720	705	680	635	565	470	365



Motor 50 Hz 2900 rpm	DIMENSIONS (mm)			Weight (kg)	
TYPE	A	B	C	M	P
6LR 32/26*	3398	2057	1341	118	104
6LR 32/27*	3465	2124	1341	118	107
6LR 32/28*	3532	2191	1341	118	111
6LR 32/29*	3381	2258	1123	178	114
6LR 32/30*	3503	2380	1123	178	118
6LR 32/31*	3570	2447	1123	178	123
6LR 32/32*	3637	2514	1123	178	126
6LR 32/33*	3704	2581	1123	178	130
6LR 32/34*	3771	2648	1123	178	133
6LR 32/35*	3948	2715	1233	200	137
6LR 32/36*	4015	2782	1233	200	141
6LR 32/37*	4082	2849	1233	200	144
6LR 32/38*	4149	2916	1233	200	148
6LR 32/39*	4216	2983	1233	200	151
6LR 32/40*	4283	3050	1233	200	155
6LR 32/41*	4350	3117	1233	200	159
6LR 32/42*	4486	3184	1302	214	162
6LR 32/43*	4553	3251	1302	214	166
6LR 32/44*	4620	3318	1302	214	169
6LR 32/45*	4687	3385	1302	214	173
6LR 32/46*	4754	3452	1302	214	177
6LR 32/47*	4821	3519	1302	214	180
6LR 32/48*	4888	3586	1302	214	184
6LR 32/49*	4955	3653	1302	214	187
6LR 32/50*	5022	3720	1302	214	191

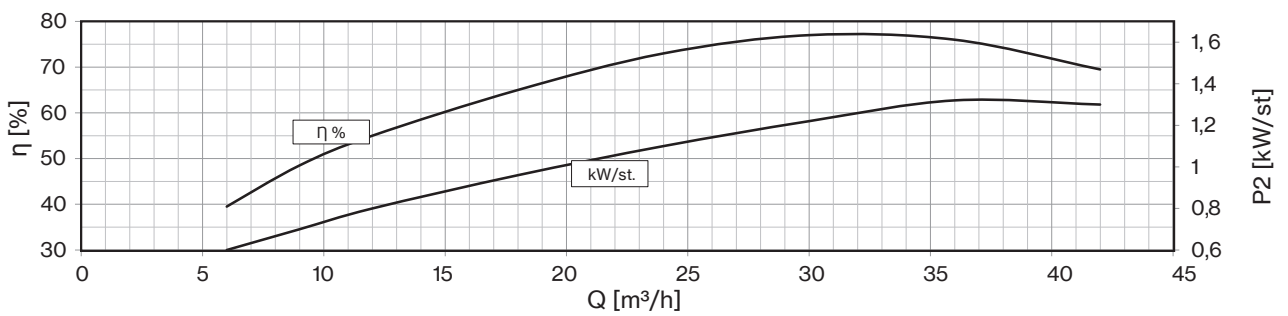
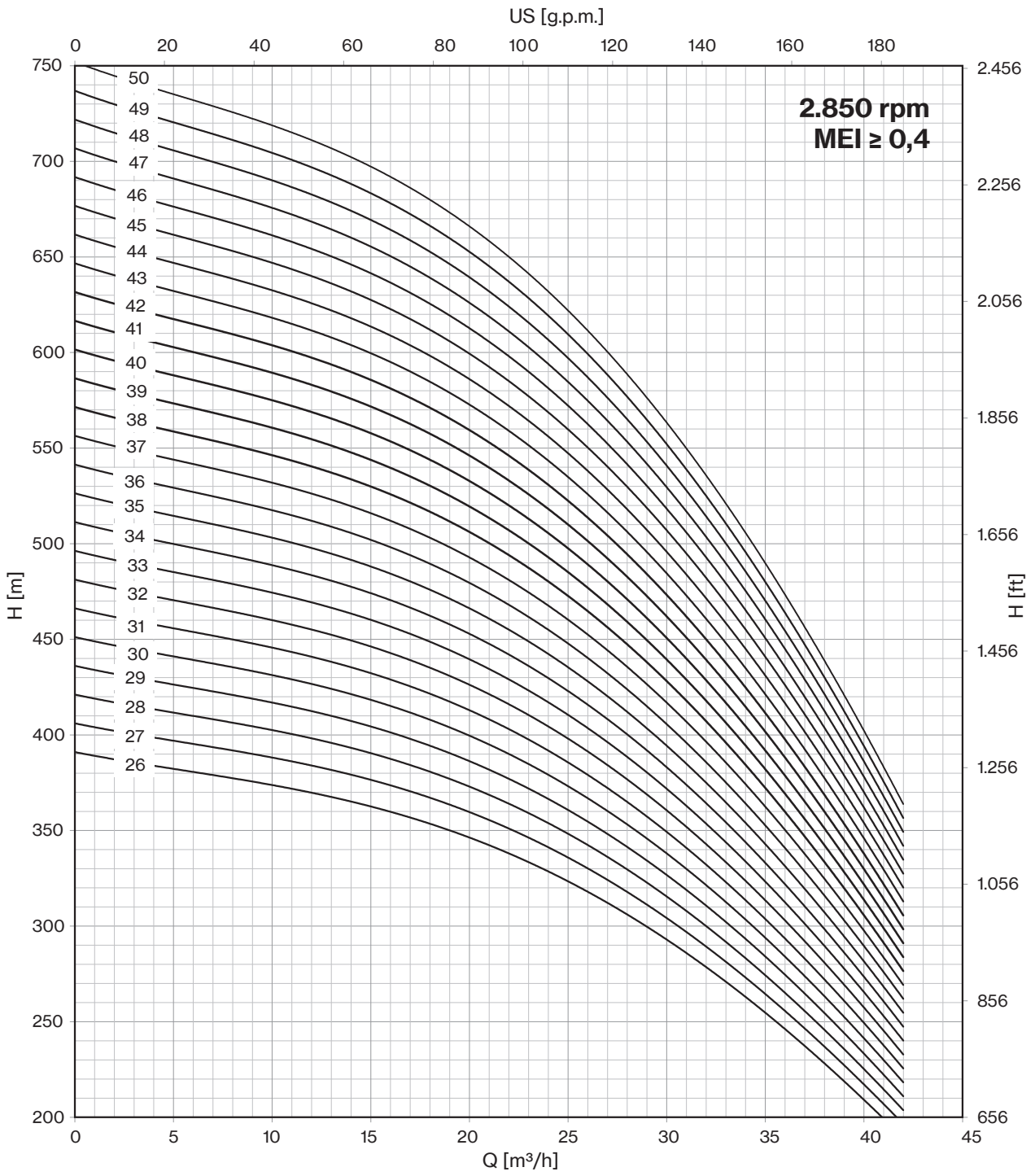
Max Eff. % =	77
Max kW / St. =	1,32

Q (flow)	25%	50%	75%	100%
NPSH (m)	3,4	3,4	3,9	7,5

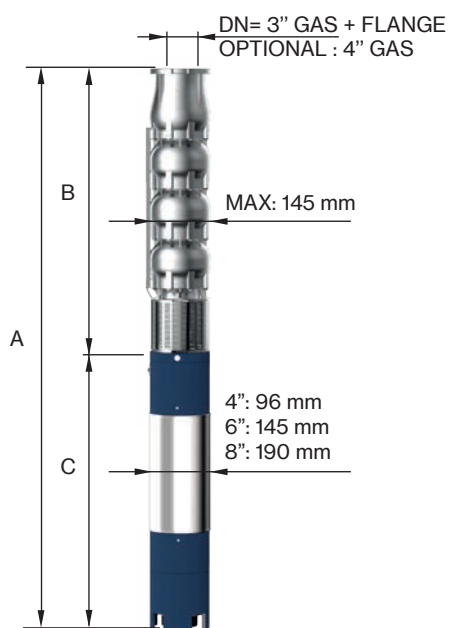
\* Coupled pump shaft



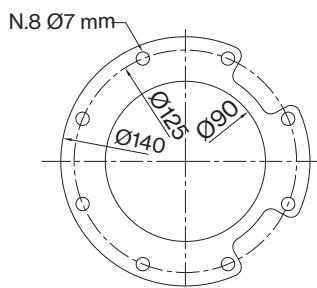
# 6LR 32



Motor 50 Hz - 2900 rpm				Q									
TYPE	Power		400 V	I/min	0	100	200	300	400	500	600	700	800
	HP	kW		A	I/sec	0	1,7	3,3	5,0	6,7	8,3	10,0	11,7
			m <sup>3</sup> /h		0	6	12	18	24	30	36	42	48
6LM 38/01	2	1,5	4,0	H[m]	14	14	13	13	12	11	10	9	7
6LM 38/02	4	3	7,5		29	27	26	25	24	23	20	17	14
6LM 38/03	5,5	4	10,0		43	41	39	38	36	34	31	26	20
6LM 38/04	7,5	5,5	12,5		57	55	52	51	48	45	41	35	27
6LM 38/05	10	7,5	16,3		71	69	65	64	60	56	51	44	34
6LM 38/06	12,5	9,2	19,9		86	82	78	76	72	68	61	52	41
6LM 38/07	15	11	23,4		100	96	91	89	84	79	71	61	48
6LM 38/08	15	11	23,4		114	110	104	102	96	90	81	70	55
6LM 38/09	17,5	13	27,3		129	123	117	114	108	102	92	78	61
6LM 38/10	20	15	31,5		143	137	130	127	120	113	102	87	68
6LM 38/11	20	15	31,5		157	151	143	140	132	124	112	96	75
6LM 38/12	25	18,5	38,3		172	164	156	152	144	136	122	104	82
6LM 38/13	25	18,5	38,3		186	178	169	165	156	147	132	113	89
6LM 38/14	30	22	45,1		200	192	182	178	168	158	143	122	95
6LM 38/15	30	22	45,1		214	206	195	191	180	169	153	131	102
6LM 38/16	30	22	45,1		229	219	208	203	192	181	163	139	109



Motor 50 Hz 2900 rpm	DIMENSIONS (mm)			Weight (kg)	
	TYPE	A	B	C	M
6LM 38/01	746	354	392	13	8
6LM 38/02	1012	455	557	19	12
6LM 38/03	1153	556	597	22	15
6LM 38/04	1355	657	698	27	19
6LM 38/05	1499	798	701	55	23
6LM 38/06	1650	899	751	60	26
6LM 38/07	1811	1000	811	65	30
6LM 38/08	1912	1101	811	65	33
6LM 38/09	2043	1202	841	70	37
6LM 38/10	2234	1303	931	75	41
6LM 38/11	2335	1404	931	75	44
6LM 38/12	2496	1505	991	83	48
6LM 38/13	2597	1606	991	83	51
6LM 38/14	2778	1707	1071	92	55
6LM 38/15	2879	1808	1071	92	59
6LM 38/16	2980	1909	1071	92	62



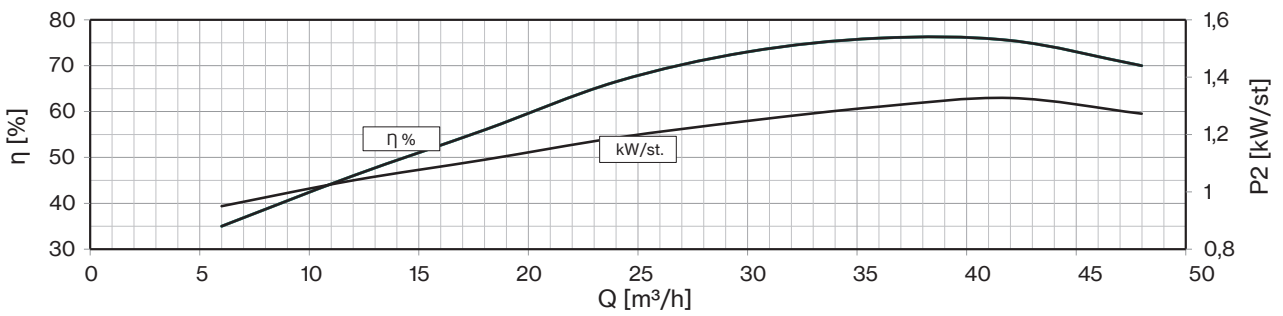
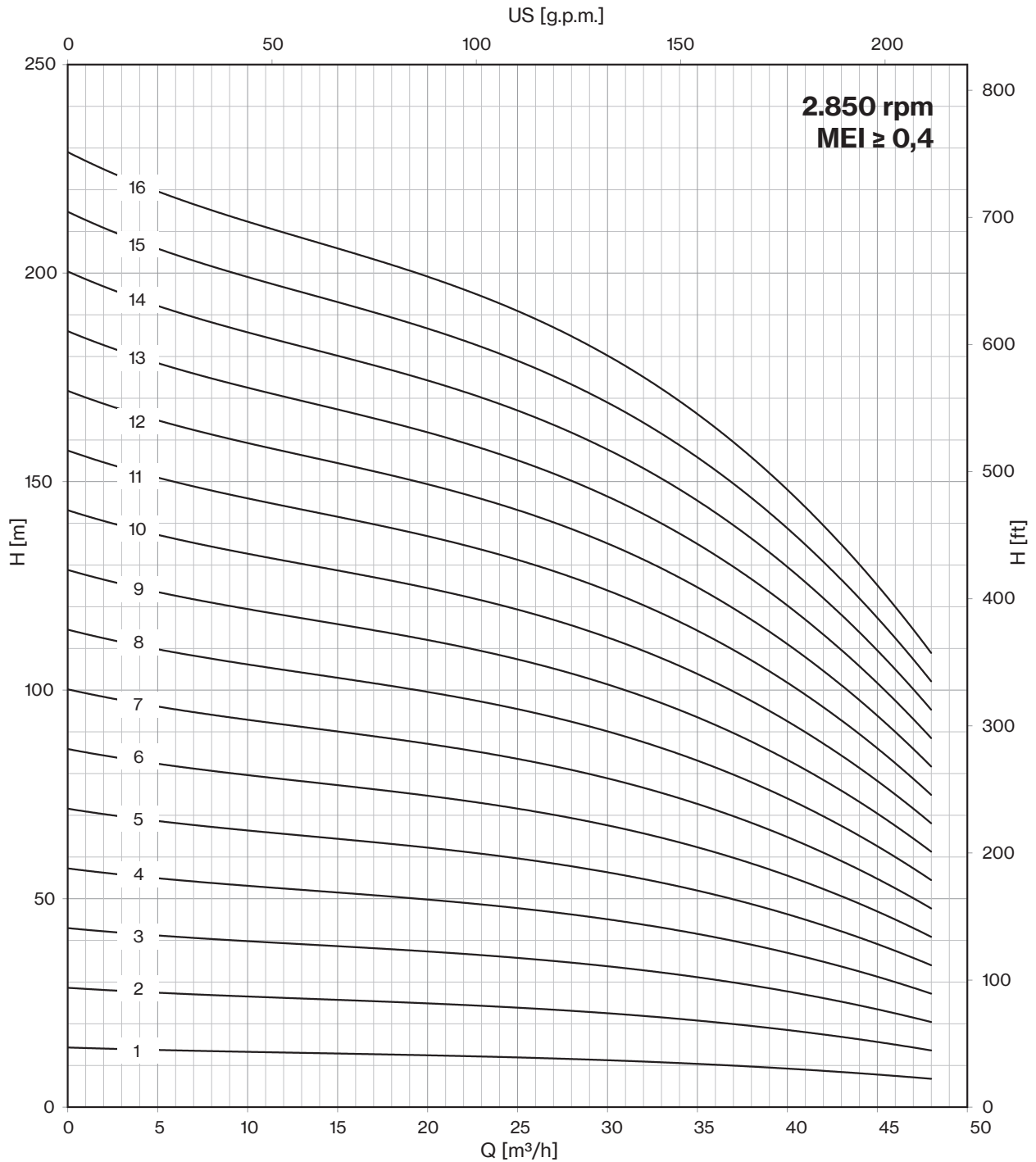
Max Eff. % =	76
Max kW / St. =	1,33

Q (flow)	25%	50%	75%	100%
NPSH (m)	3,4	3,4	3,8	8

FOR COMMERCIAL TUBE  
EXTERNAL DIAMETER: 88,9 mm

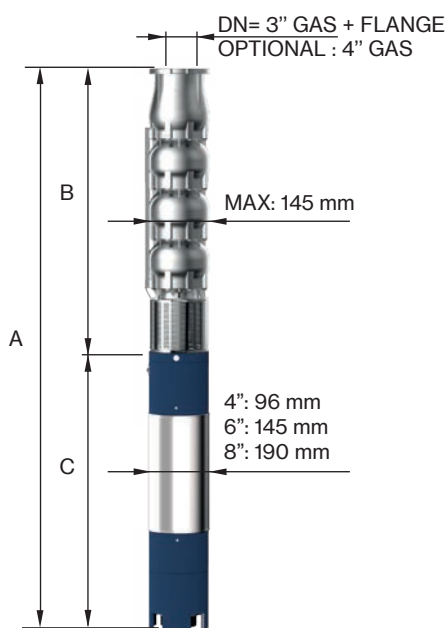


# 6LM 38

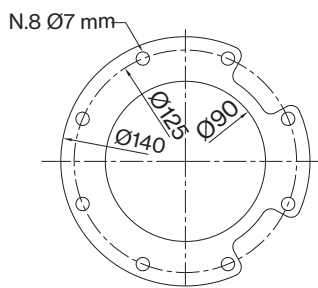




Motor 50 Hz - 2900 rpm				Q									
TYPE	Power		400 V	l/min l/sec m <sup>3</sup> /h	0	100	200	300	400	500	600	700	800
	HP	kW			A	0	1,7	3,3	5,0	6,7	8,3	10,0	11,7
				H[m]	0	6	12	18	24	30	36	42	48
6LM 38/17	35	26	52,9	H[m]	243	233	221	216	204	192	173	148	116
6LM 38/18	35	26	52,9		257	247	234	229	216	203	183	157	123
6LM 38/19	35	26	52,9		272	260	247	241	228	215	194	165	129
6LM 38/20	40	30	61,1		286	274	260	254	240	226	204	174	136
6LM 38/21	40	30	61,1		300	288	273	267	252	237	214	183	143
6LM 38/22	40	30	61,1		315	301	286	279	264	249	224	191	150
6LM 38/23	50	37	75,8		329	315	299	292	276	260	234	200	157
6LM 38/24	50	37	75,8		343	329	312	305	288	271	244	209	164
6LM 38/25	50	37	75,8		357	343	325	318	300	282	255	218	170
6LM 38/26	50	37	75,8		372	356	338	330	312	294	265	226	177
6LM 38/27	50	37	75,8		386	370	351	343	324	305	275	235	184
6LM 38/28	60	45	86,3		400	384	364	356	336	316	285	244	191
6LM 38/29	60	45	86,3		415	397	377	368	348	328	295	252	198
6LM 38/30	60	45	86,3		429	411	390	381	360	339	306	261	204
6LM 38/31	60	45	86,3		443	425	403	394	372	350	316	270	211
6LM 38/32	60	45	86,3		457	438	416	407	384	361	326	279	218
6LM 38/33	60	45	86,3	472	452	429	419	396	373	336	287	225	



Motor 50 Hz 2900 rpm	DIMENSIONS (mm)			Weight (kg)	
	TYPE	A	B	C	M
6LM 38/17	3191	2010	1181	100	66
6LM 38/18	3292	2111	1181	100	69
6LM 38/19	3393	2212	1181	100	73
6LM 38/20	3564	2313	1251	108	77
6LM 38/21	3665	2414	1251	108	80
6LM 38/22	3766	2515	1251	108	84
6LM 38/23	3957	2616	1341	118	87
6LM 38/24	4058	2717	1341	118	91
6LM 38/25	4159	2818	1341	118	95
6LM 38/26	4260	2919	1341	118	98
6LM 38/27	4361	3020	1341	118	102
6LM 38/28	4311	3188	1123	178	109
6LM 38/29	4412	3289	1123	178	113
6LM 38/30	4513	3390	1123	178	116
6LM 38/31	4614	3491	1123	178	120
6LM 38/32	4715	3592	1123	178	124
6LM 38/33	4816	3693	1123	178	127



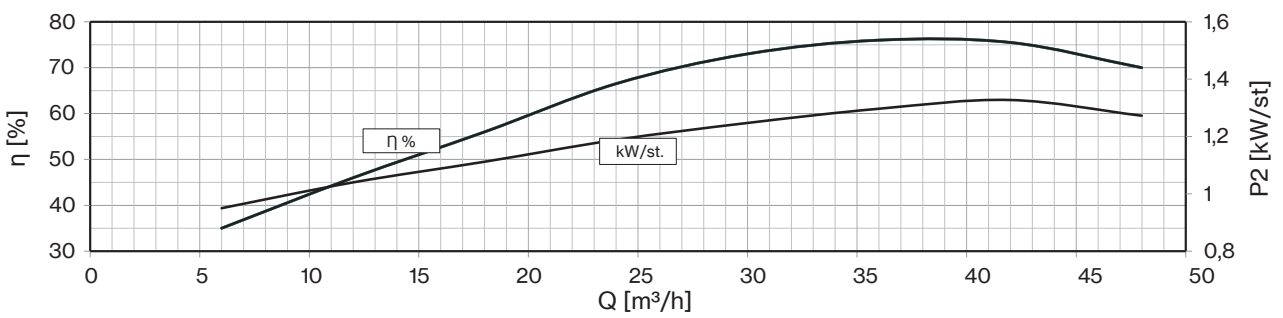
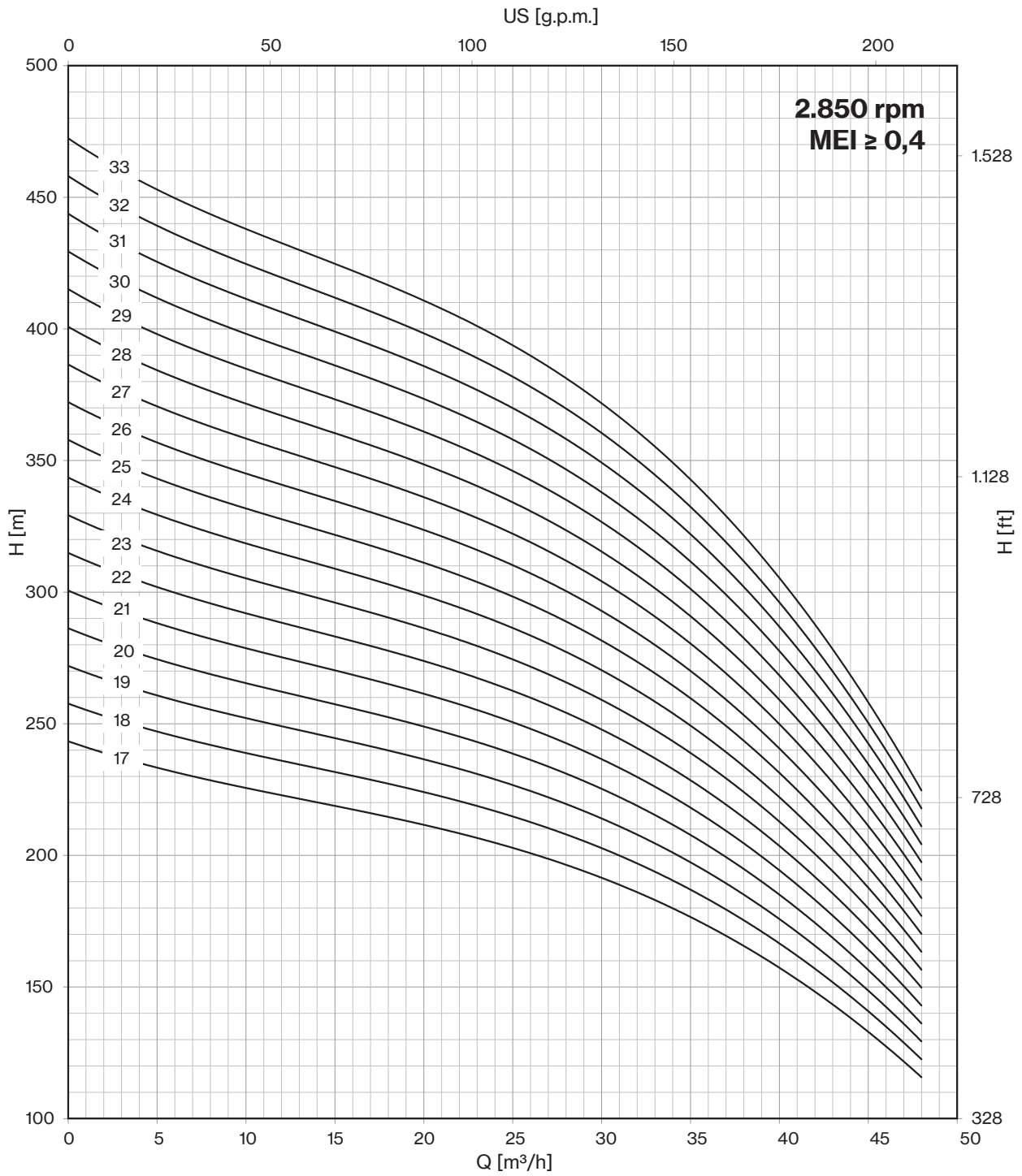
Max Eff. % =	76
Max kW / St. =	1,33

Q (flow)	25%	50%	75%	100%
NPSH (m)	3,4	3,4	3,8	8

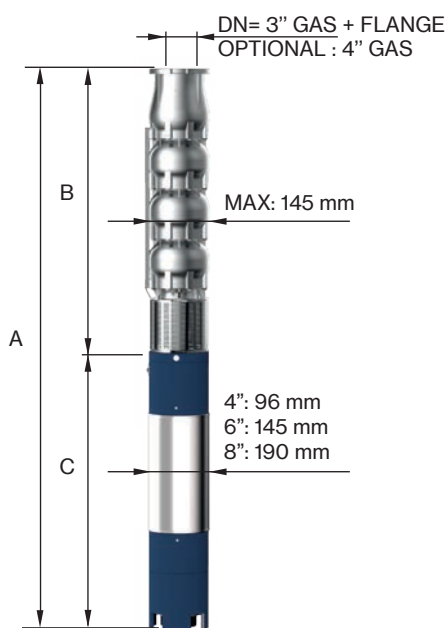
FOR COMMERCIAL TUBE  
EXTERNAL DIAMETER: 88,9 mm



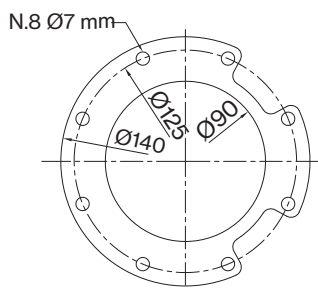
# 6LM 38



Motor 50 Hz - 2900 rpm				Q									
TYPE	Power		400 V	I/min	0	200	400	500	600	700	800	900	1000
	HP	kW		A	I/sec	0	3,3	6,7	8,3	10,0	11,7	13,3	15,0
			m <sup>3</sup> /h		0	12	24	30	36	42	48	54	60
6LM 48/01	2	1,5	4,0	H[m]	14	14	11	11	11	10	9	7	6
6LM 48/02	4	3	7,5		28	27	23	22	21	20	18	15	13
6LM 48/03	7,5	5,5	12,5		42	41	34	33	32	29	26	22	19
6LM 48/04	10	7,5	16,3		56	54	46	44	42	39	35	30	26
6LM 48/05	10	7,5	16,3		70	68	57	56	53	49	44	37	32
6LM 48/06	12,5	9,2	19,9		84	81	68	67	64	59	53	44	38
6LM 48/07	15	11	23,4		98	95	80	78	74	69	62	52	45
6LM 48/08	17,5	13	27,3		112	108	91	89	85	78	70	59	51
6LM 48/09	17,5	13	27,3		126	122	103	100	95	88	79	67	58
6LM 48/10	20	15	31,5		140	135	114	111	106	98	88	74	64
6LM 48/11	25	18,5	38,3		154	149	125	122	117	108	97	81	70
6LM 48/12	25	18,5	38,3		168	162	137	133	127	118	106	89	77
6LM 48/13	30	22	45,1		182	176	148	144	138	127	114	96	83
6LM 48/14	30	22	45,1		196	189	160	155	148	137	123	104	90
6LM 48/15	30	22	45,1		210	203	171	167	159	147	132	111	96
6LM 48/16	35	26	52,9		224	216	182	178	170	157	141	118	102



Motor 50 Hz 2900 rpm	DIMENSIONS (mm)			Weight (kg)	
	TYPE	A	B	C	M
6LM 48/01	746	354	392	13	8
6LM 48/02	1012	455	557	19	12
6LM 48/03	1254	556	698	27	15
6LM 48/04	1358	657	701	55	19
6LM 48/05	1499	798	701	55	23
6LM 48/06	1650	899	751	60	26
6LM 48/07	1811	1000	811	65	30
6LM 48/08	1942	1101	841	70	33
6LM 48/09	2043	1202	841	70	37
6LM 48/10	2234	1303	931	75	41
6LM 48/11	2395	1404	991	83	44
6LM 48/12	2496	1505	991	83	48
6LM 48/13	2677	1606	1071	92	51
6LM 48/14	2778	1707	1071	92	55
6LM 48/15	2879	1808	1071	92	59
6LM 48/16	3090	1909	1181	100	62



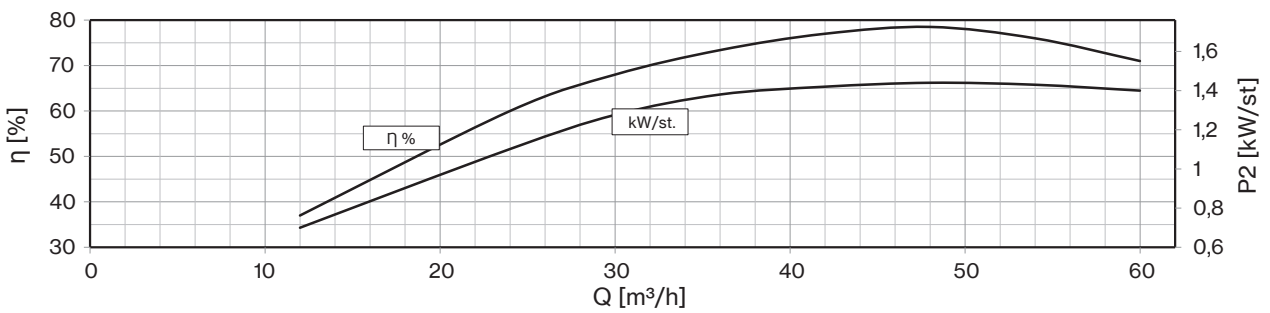
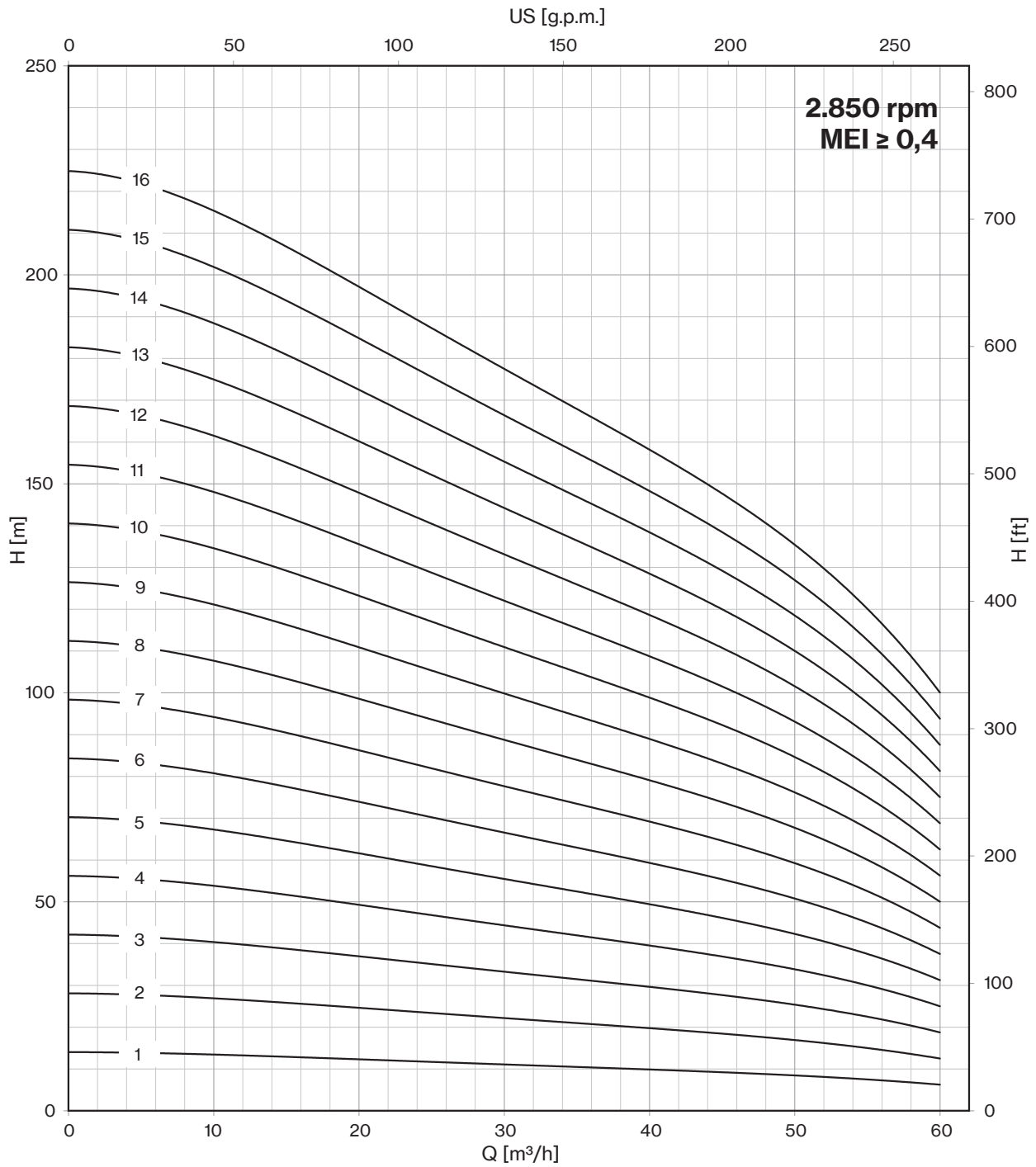
FOR COMMERCIAL TUBE  
EXTERNAL DIAMETER: 88,9 mm

Max Eff. % =	78,5
Max kW / St. =	1,44

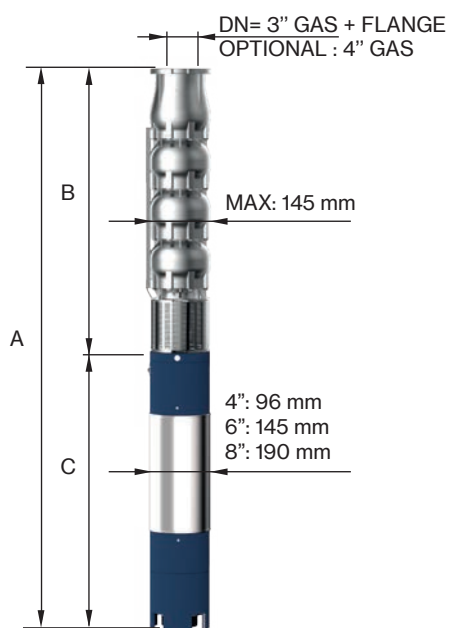
Q (flow)	25%	50%	75%	100%
NPSH (m)	3,45	3,5	3,8	5



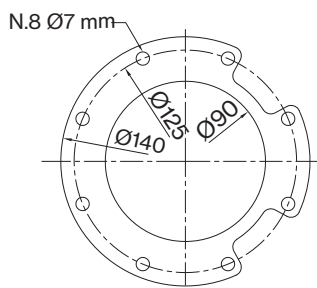
# 6LM 48



Motor 50 Hz - 2900 rpm				Q									
TYPE	Power		400 V	l/min l/sec m <sup>3</sup> /h	0	200	400	500	600	700	800	900	1000
	HP	kW			A	0	3,3	6,7	8,3	10,0	11,7	13,3	15,0
				H[m]	0	12	24	30	36	42	48	54	60
6LM 48/17	35	26	52,9	H[m]	238	230	194	189	180	167	150	126	109
6LM 48/18	35	26	52,9		252	243	205	200	191	176	158	133	115
6LM 48/19	40	30	61,1		266	257	217	211	201	186	167	141	122
6LM 48/20	40	30	61,1		280	270	228	222	212	196	176	148	128
6LM 48/21	50	37	75,8		294	284	239	233	223	206	185	155	134
6LM 48/22	50	37	75,8		308	297	251	244	233	216	194	163	141
6LM 48/23	50	37	75,8		322	311	262	255	244	225	202	170	147
6LM 48/24	50	37	75,8		336	324	274	266	254	235	211	178	154
6LM 48/25	50	37	75,8		350	338	285	278	265	245	220	185	160
6LM 48/26	60	45	86,3		364	351	296	289	276	255	229	192	166
6LM 48/27	60	45	86,3		378	365	308	300	286	265	238	200	173
6LM 48/28	60	45	86,3		392	378	319	311	297	274	246	207	179
6LM 48/29	60	45	86,3		406	392	331	322	307	284	255	215	186
6LM 48/30	60	45	86,3		420	405	342	333	318	294	264	222	192



Motor 50 Hz 2900 rpm	DIMENSIONS (mm)			Weight (kg)	
	TYPE	A	B	C	M
6LM 48/17	3191	2010	1181	100	66
6LM 48/18	3292	2111	1181	100	69
6LM 48/19	3463	2212	1251	108	73
6LM 48/20	3564	2313	1251	108	77
6LM 48/21	3755	2414	1341	118	80
6LM 48/22	3856	2515	1341	118	84
6LM 48/23	3957	2616	1341	118	87
6LM 48/24	4058	2717	1341	118	91
6LM 48/25	4159	2818	1341	118	95
6LM 48/26	4109	2986	1123	178	102
6LM 48/27	4210	3087	1123	178	106
6LM 48/28	4311	3188	1123	178	109
6LM 48/29	4412	3289	1123	178	113
6LM 48/30	4513	3390	1123	178	116



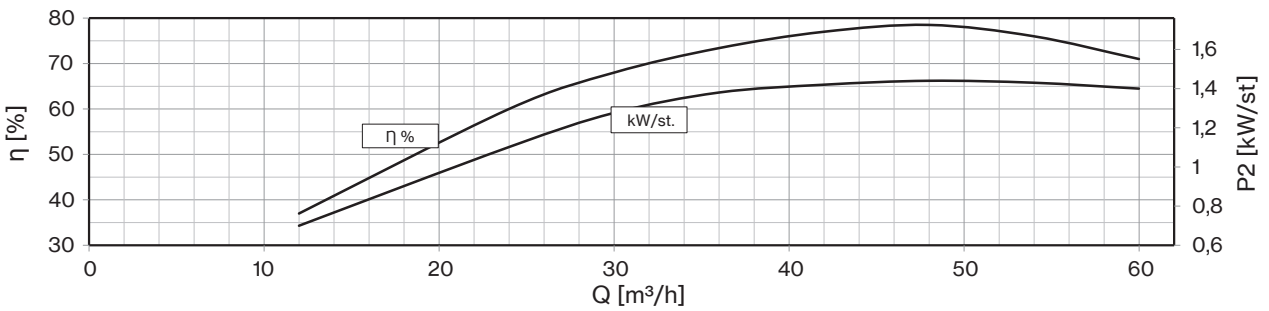
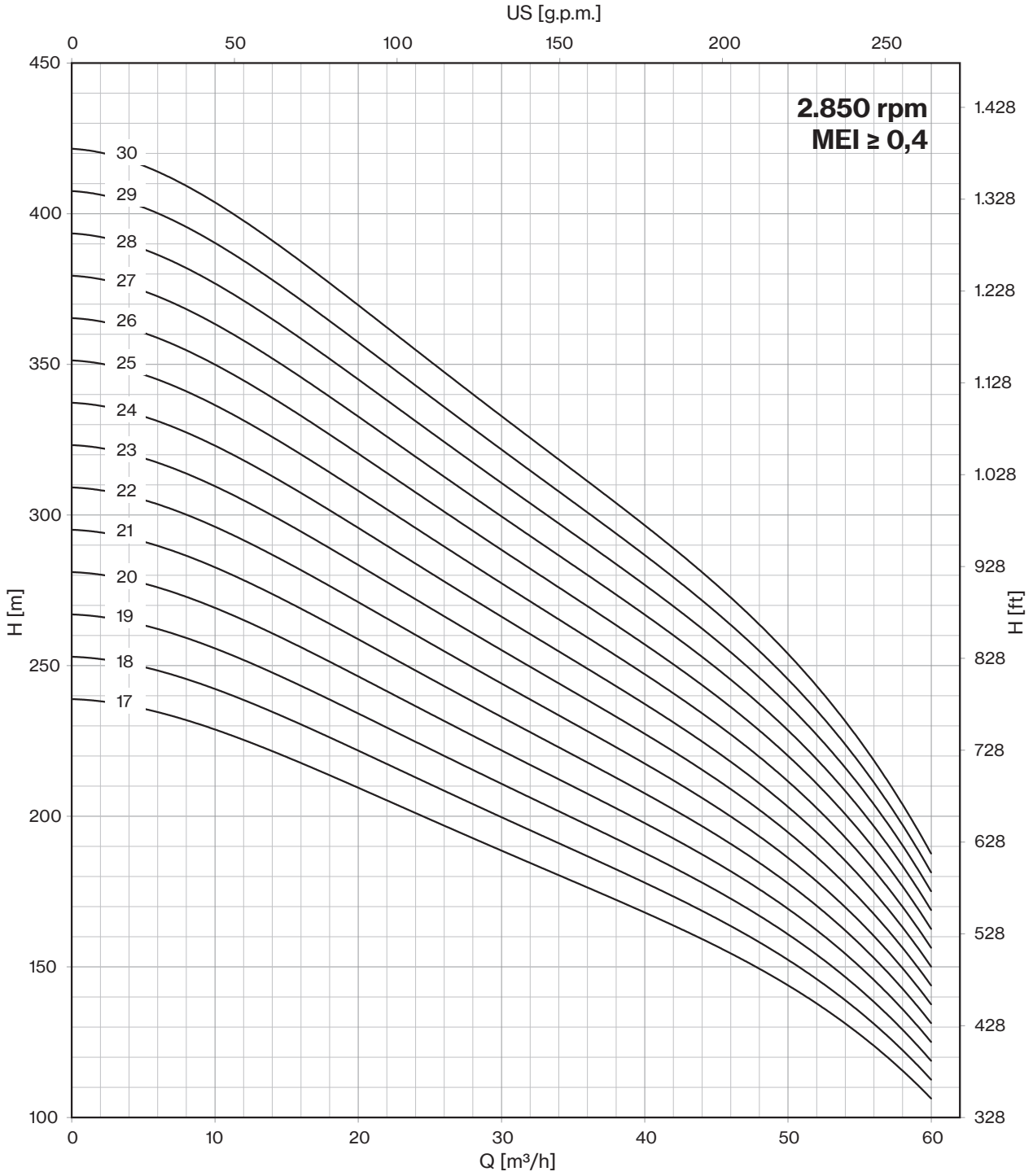
FOR COMMERCIAL TUBE  
EXTERNAL DIAMETER: 88,9 mm

Max Eff. % =	78,5
Max kW / St. =	1,44

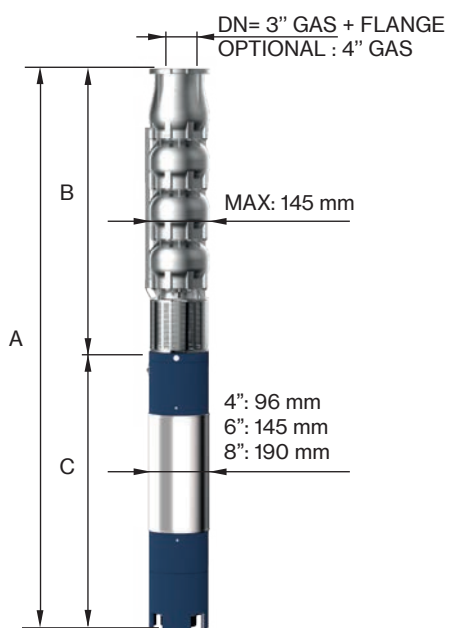
Q (flow)	25%	50%	75%	100%
NPSH (m)	3,45	3,5	3,8	5



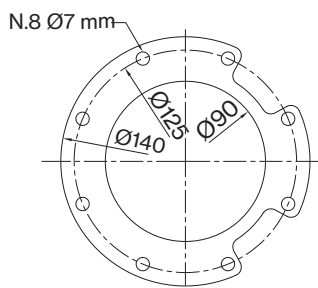
# 6LM 48



Motor 50 Hz - 2900 rpm				Q									
TYPE	Power		400 V	I/min	0	300	600	700	800	900	1000	1100	1200
	HP	kW		A	I/sec	0	5,0	10,0	11,7	13,3	15,0	16,7	18,3
			m <sup>3</sup> /h		0	18	36	42	48	54	60	66	72
6LM 60/01	3	2	5,50	H[m]	14	12	10	10	9	9	8	7	6
6LM 60/02	5,5	4	10,00		27	25	21	19	18	17	16	14	12
6LM 60/03	7,5	5,5	12,50		41	37	31	29	27	26	23	21	18
6LM 60/04	10	7,5	16,30		55	49	41	38	36	34	31	28	24
6LM 60/05	12,5	9,2	19,90		69	62	52	48	46	43	39	35	30
6LM 60/06	15	11	23,40		82	74	62	58	55	51	47	41	36
6LM 60/07	17,5	13	27,30		96	86	72	67	64	60	55	48	42
6LM 60/08	20	15	31,50		110	98	82	77	73	68	62	55	48
6LM 60/09	20	15	31,50		123	111	93	86	82	77	70	62	54
6LM 60/10	25	18,5	38,30		137	123	103	96	91	85	78	69	60
6LM 60/11	25	18,5	38,30		151	135	113	106	100	94	86	76	66
6LM 60/12	30	22	45,10		164	148	124	115	109	102	94	83	72
6LM 60/13	30	22	45,10		178	160	134	125	118	111	101	90	78
6LM 60/14	35	26	52,90		192	172	144	134	127	119	109	97	84
6LM 60/15	35	26	52,90		206	185	155	144	137	128	117	104	90
6LM 60/16	40	30	61,10		219	197	165	154	146	136	125	110	96



Motor 50 Hz 2900 rpm	DIMENSIONS (mm)			Weight (kg)	
	TYPE	A	B	C	M
6LM 60/01	812	360	452	15	8
6LM 60/02	1064	467	597	22	12
6LM 60/03	1272	574	698	27	16
6LM 60/04	1422	721	701	55	20
6LM 60/05	1579	828	751	60	24
6LM 60/06	1746	935	811	65	27
6LM 60/07	1883	1042	841	70	31
6LM 60/08	2080	1149	931	75	35
6LM 60/09	2187	1256	931	75	39
6LM 60/10	2354	1363	991	83	43
6LM 60/11	2461	1470	991	83	46
6LM 60/12	2648	1577	1071	92	50
6LM 60/13	2755	1684	1071	92	54
6LM 60/14	2972	1791	1181	100	58
6LM 60/15	3079	1898	1181	100	62
6LM 60/16	3256	2005	1251	108	65



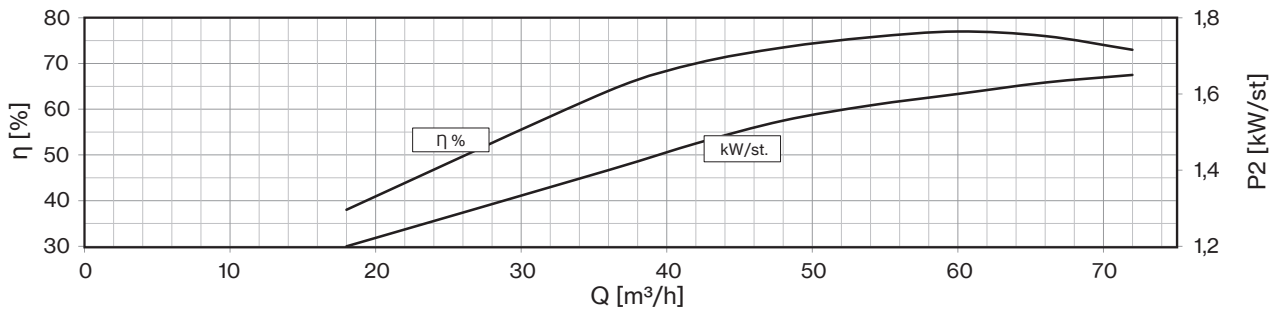
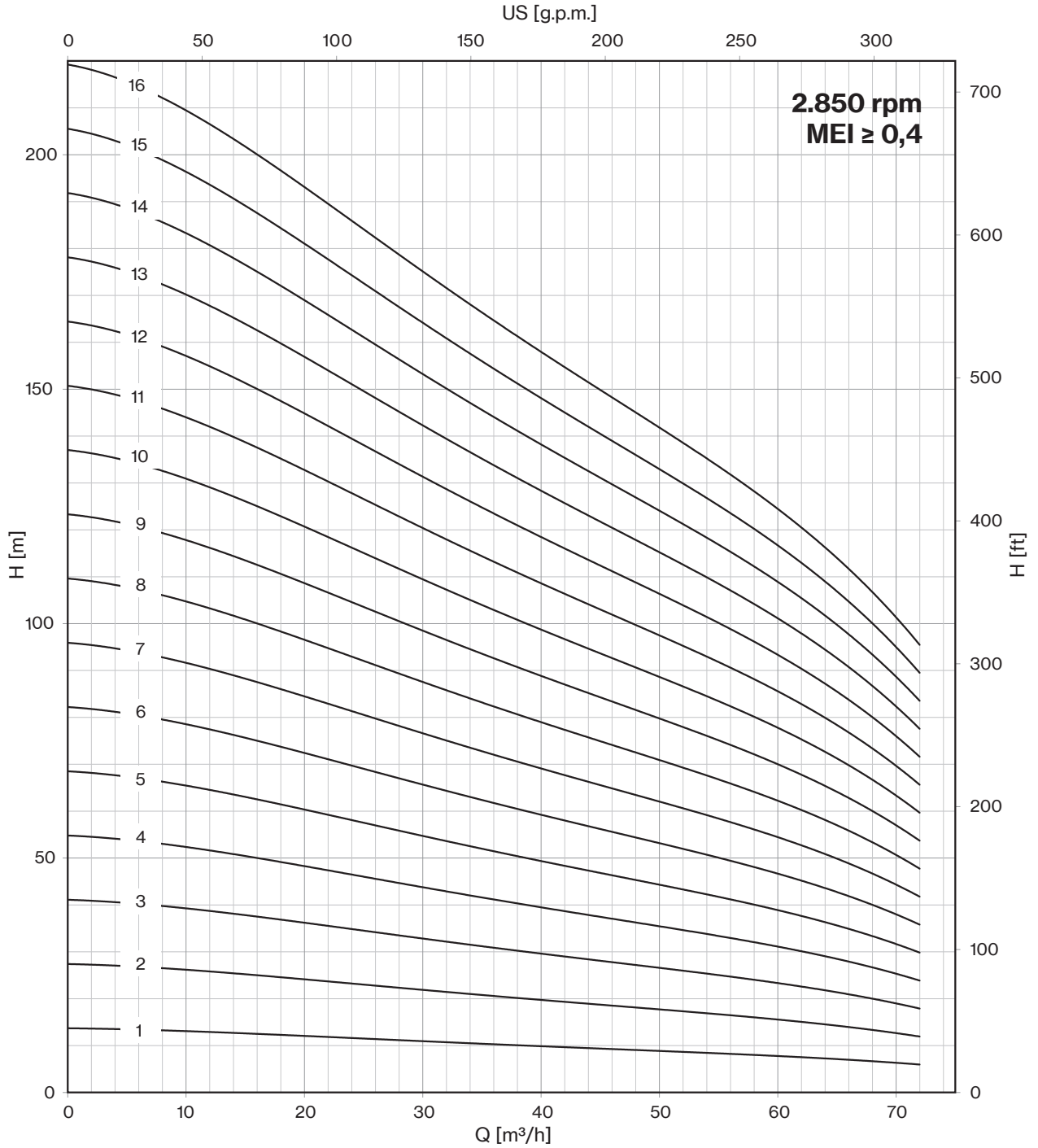
FOR COMMERCIAL TUBE  
EXTERNAL DIAMETER: 88,9 mm

Max Eff. % =	77
Max kW / St. =	1,65

Q (flow)	25%	50%	75%	100%
NPSH (m)	3,8	3,8	5,1	7,1

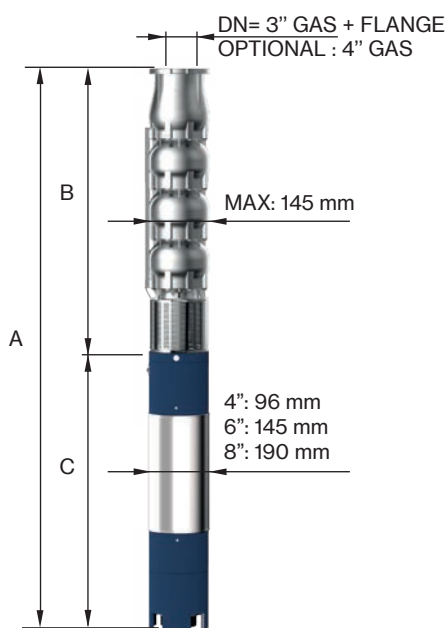


# 6LM 60

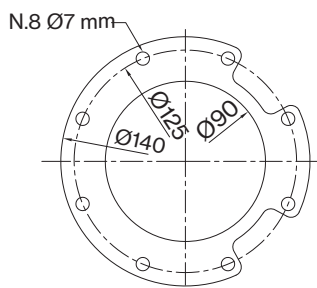




Motor 50 Hz - 2900 rpm				Q									
TYPE	Power		400 V	l/min l/sec m <sup>3</sup> /h	0	300	600	700	800	900	1000	1100	1200
	HP	kW			A	0	5,0	10,0	11,7	13,3	15,0	16,7	18,3
				H[m]	0	18	36	42	48	54	60	66	72
6LM 60/17	40	30	61,1	H[m]	233	209	175	163	155	145	133	117	102
6LM 60/18	40	30	61,1		247	221	185	173	164	153	140	124	108
6LM 60/19	50	37	75,8		260	234	196	182	173	162	148	131	114
6LM 60/20	50	37	75,8		274	246	206	192	182	170	156	138	120
6LM 60/21	50	37	75,8		288	258	216	202	191	179	164	145	126
6LM 60/22	50	37	75,8		301	271	227	211	200	187	172	152	132
6LM 60/23	60	45	86,3		315	283	237	221	209	196	179	159	138
6LM 60/24	60	45	86,3		329	295	247	230	218	204	187	166	144
6LM 60/25	60	45	86,3		343	308	258	240	228	213	195	173	150
6LM 60/26	60	45	86,3		356	320	268	250	237	221	203	179	156
6LM 60/27	60	45	86,3		370	332	278	259	246	230	211	186	162
6LM 60/28	75	55	106,2		384	344	288	269	255	238	218	193	168
6LM 60/29	75	55	106,2		397	357	299	278	264	247	226	200	174
6LM 60/30	75	55	106,2		411	369	309	288	273	255	234	207	180
6LM 60/31	75	55	106,2		425	381	319	298	282	264	242	214	186
6LM 60/32	75	55	106,2		438	394	330	307	291	272	250	221	192
6LM 60/33	75	55	106,2	452	406	340	317	300	281	257	228	198	



Motor 50 Hz 2900 rpm	DIMENSIONS (mm)			Weight (kg)	
	TYPE	A	B	C	M
6LM 60/17	3363	2112	1251	108	69
6LM 60/18	3470	2219	1251	108	73
6LM 60/19	3667	2326	1341	118	77
6LM 60/20	3774	2433	1341	118	81
6LM 60/21	3881	2540	1341	118	84
6LM 60/22	3988	2647	1341	118	88
6LM 60/23	3944	2821	1123	178	96
6LM 60/24	4051	2928	1123	178	100
6LM 60/25	4158	3035	1123	178	103
6LM 60/26	4265	3142	1123	178	107
6LM 60/27	4372	3249	1123	178	111
6LM 60/28	4589	3356	1233	200	115
6LM 60/29	4696	3463	1233	200	119
6LM 60/30	4803	3570	1233	200	122
6LM 60/31	4910	3677	1233	200	126
6LM 60/32	5017	3784	1233	200	130
6LM 60/33	5124	3891	1233	200	134



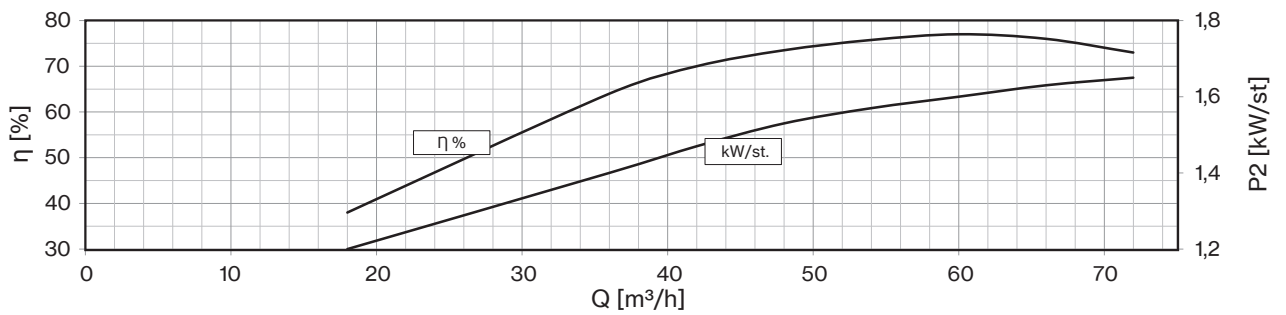
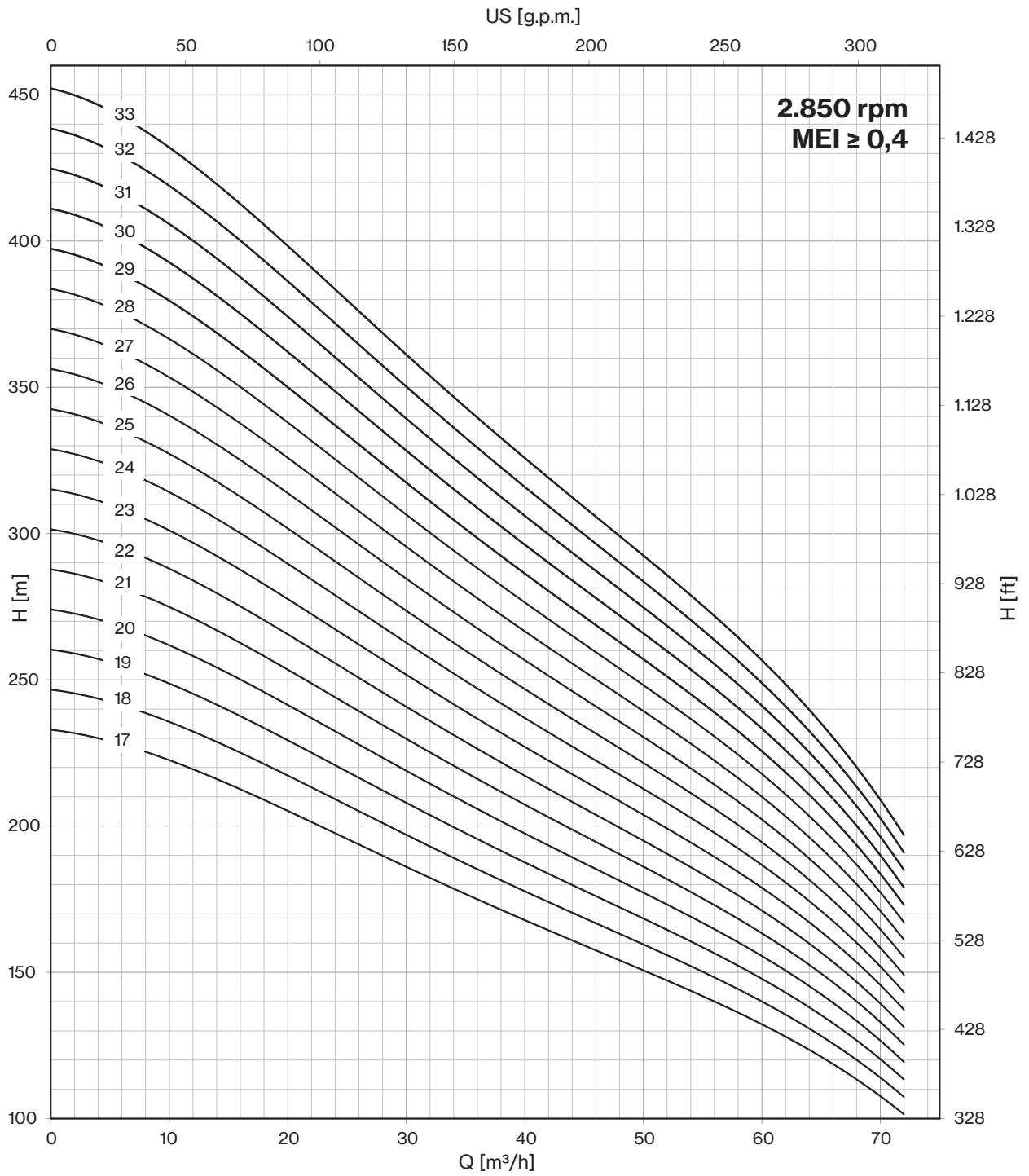
FOR COMMERCIAL TUBE  
EXTERNAL DIAMETER: 88,9 mm

Max Eff. % =	77
Max kW / St. =	1,65

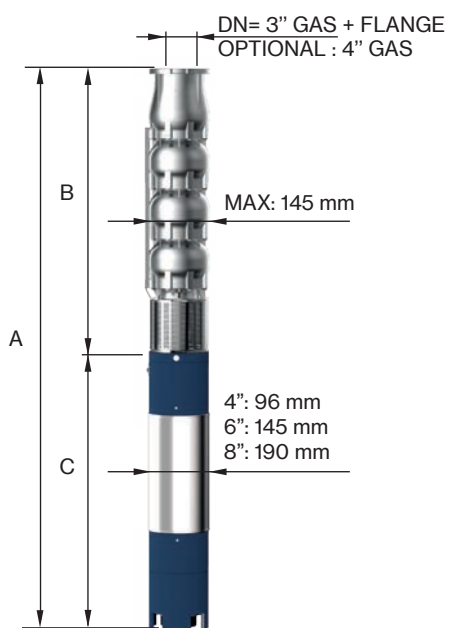
Q (flow)	25%	50%	75%	100%
NPSH (m)	3,8	3,8	5,1	7,1



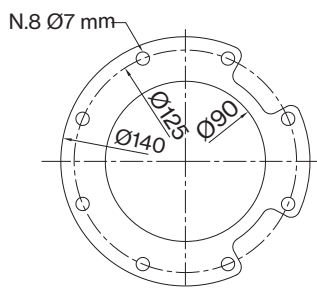
# 6LM 60



Motor 50 Hz - 2900 rpm				Q									
TYPE	Power		400 V	l/min l/sec m <sup>3</sup> /h	0	300	900	1000	1100	1200	1300	1400	1500
	HP	kW			A	0	5,0	15,0	16,7	18,3	20,0	21,7	23,3
					H[m]	0	18	54	60	66	72	78	84
6LM 70/01	3	2,2	5,5	H[m]	13	12	10	9	9	9	8	7	6
6LM 70/02	7,5	5,5	12,5		26	24	19	19	18	17	15	13	11
6LM 70/03	10	7,5	16,3		39	36	29	28	27	26	23	20	17
6LM 70/04	12,5	9,2	19,9		52	48	38	38	36	34	30	26	22
6LM 70/05	15	11	23,4		66	61	48	47	46	43	38	33	28
6LM 70/06	20	15	31,5		79	73	57	56	55	51	46	40	34
6LM 70/07	25	18,5	38,3		92	85	67	66	64	60	53	46	39
6LM 70/08	25	18,5	38,3		105	97	76	75	73	68	61	53	45
6LM 70/09	30	22	45,1		118	109	86	85	82	77	68	59	50
6LM 70/10	30	22	45,1		131	121	96	94	91	85	76	66	56
6LM 70/11	35	26	52,9		144	133	105	103	100	94	84	73	62
6LM 70/12	40	30	61,1		157	145	115	113	109	102	91	79	67
6LM 70/13	40	30	61,1		170	157	124	122	118	111	99	86	73



Motor 50 Hz 2900 rpm	DIMENSIONS (mm)			Weight (kg)	
	TYPE	A	B	C	M
6LM 70/01	812	360	452	15	8
6LM 70/02	1165	467	698	27	12
6LM 70/03	1315	614	701	55	16
6LM 70/04	1472	721	751	60	20
6LM 70/05	1639	828	811	65	24
6LM 70/06	1866	935	931	75	27
6LM 70/07	2033	1042	991	83	31
6LM 70/08	2140	1149	991	83	35
6LM 70/09	2327	1256	1071	92	39
6LM 70/10	2434	1363	1071	92	43
6LM 70/11	2651	1470	1181	100	46
6LM 70/12	2828	1577	1251	108	50
6LM 70/13	2935	1684	1251	108	54



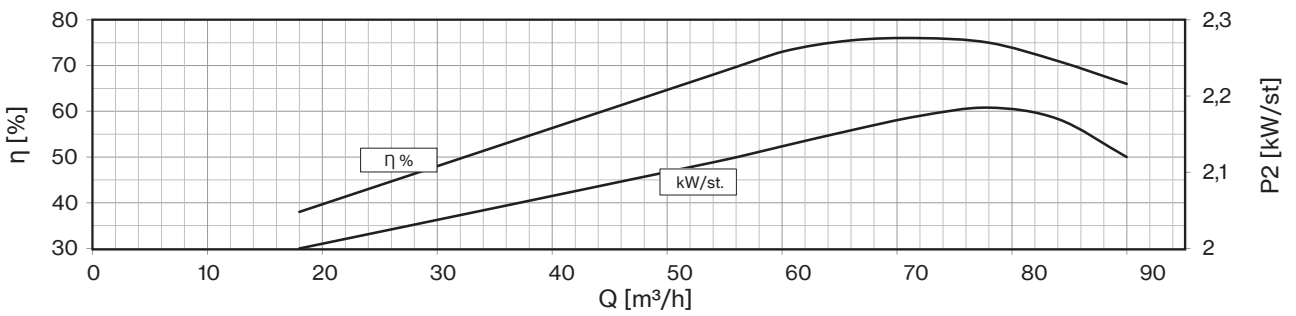
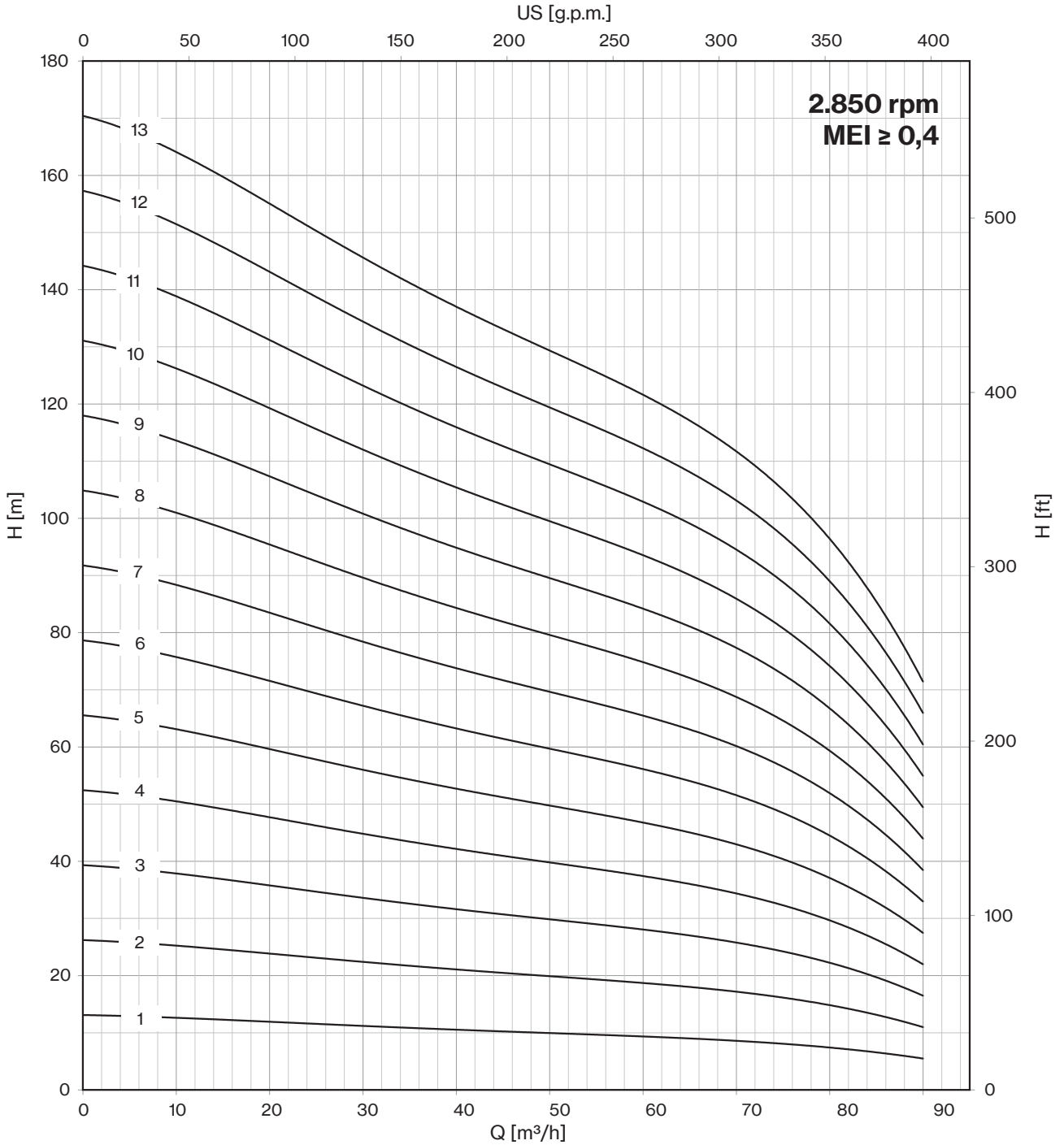
FOR COMMERCIAL TUBE  
EXTERNAL DIAMETER: 88,9 mm

Max Eff. % =	76
Max kW / St. =	2,8

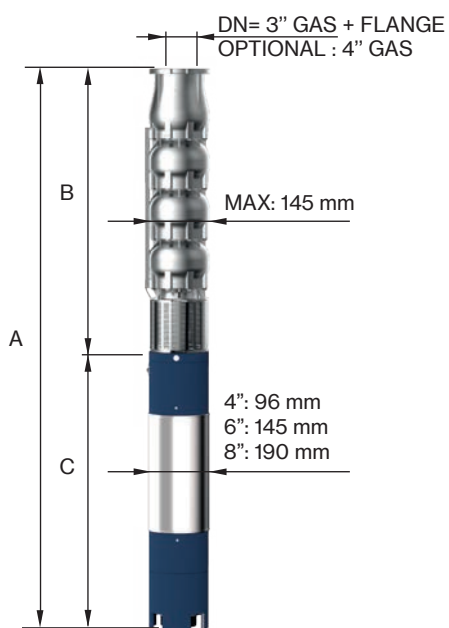
Q (flow)	25%	50%	75%	100%
NPSH (m)	3,8	3,8	5,1	7,1



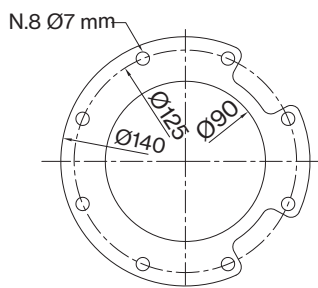
# 6LM 70



Motor 50 Hz - 2900 rpm				Q									
TYPE	Power		400 V	l/min l/sec m <sup>3</sup> /h	0	300	900	1000	1100	1200	1300	1400	1500
	HP	kW			A	0	5,0	15,0	16,7	18,3	20,0	21,7	23,3
				H[m]	0	18	54	60	66	72	78	84	90
6LM 70/14	50	37	75,8	H[m]	183	169	134	132	127	119	106	92	78
6LM 70/15	50	37	75,8		197	182	143	141	137	128	114	99	84
6LM 70/16	50	37	75,8		210	194	153	150	146	136	122	106	90
6LM 70/17	60	45	86,3		223	206	162	160	155	145	129	112	95
6LM 70/18	60	45	86,3		236	218	172	169	164	153	137	119	101
6LM 70/19	60	45	86,3		249	230	181	179	173	162	144	125	106
6LM 70/20	60	45	86,3		262	242	191	188	182	170	152	132	112
6LM 70/21	75	55	106,2		275	254	201	197	191	179	160	139	118
6LM 70/22	75	55	106,2		288	266	210	207	200	187	167	145	123
6LM 70/23	75	55	106,2		301	278	220	216	209	196	175	152	129
6LM 70/24	75	55	106,2		314	290	229	226	218	204	182	158	134
6LM 70/25	75	55	106,2		328	303	239	235	228	213	190	165	140



Motor 50 Hz 2900 rpm	DIMENSIONS (mm)			Weight (kg)	
	TYPE	A	B	C	M
6LM 70/14	3132	1791	1341	118	58
6LM 70/15	3239	1898	1341	118	62
6LM 70/16	3346	2005	1341	118	65
6LM 70/17	3235	2112	1123	178	69
6LM 70/18	3342	2219	1123	178	73
6LM 70/19	3516	2393	1123	178	81
6LM 70/20	3623	2500	1123	178	84
6LM 70/21	3840	2607	1233	200	88
6LM 70/22	3947	2714	1233	200	92
6LM 70/23	4054	2821	1233	200	96
6LM 70/24	4161	2928	1233	200	100
6LM 70/25	4268	3035	1233	200	103



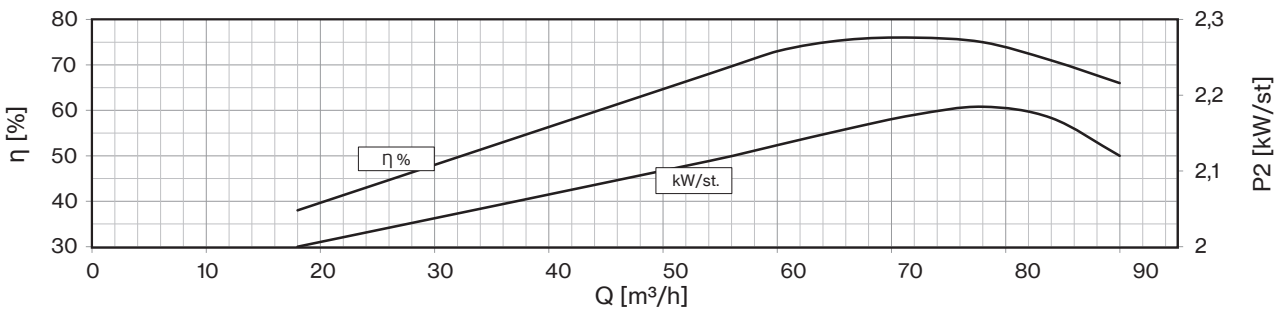
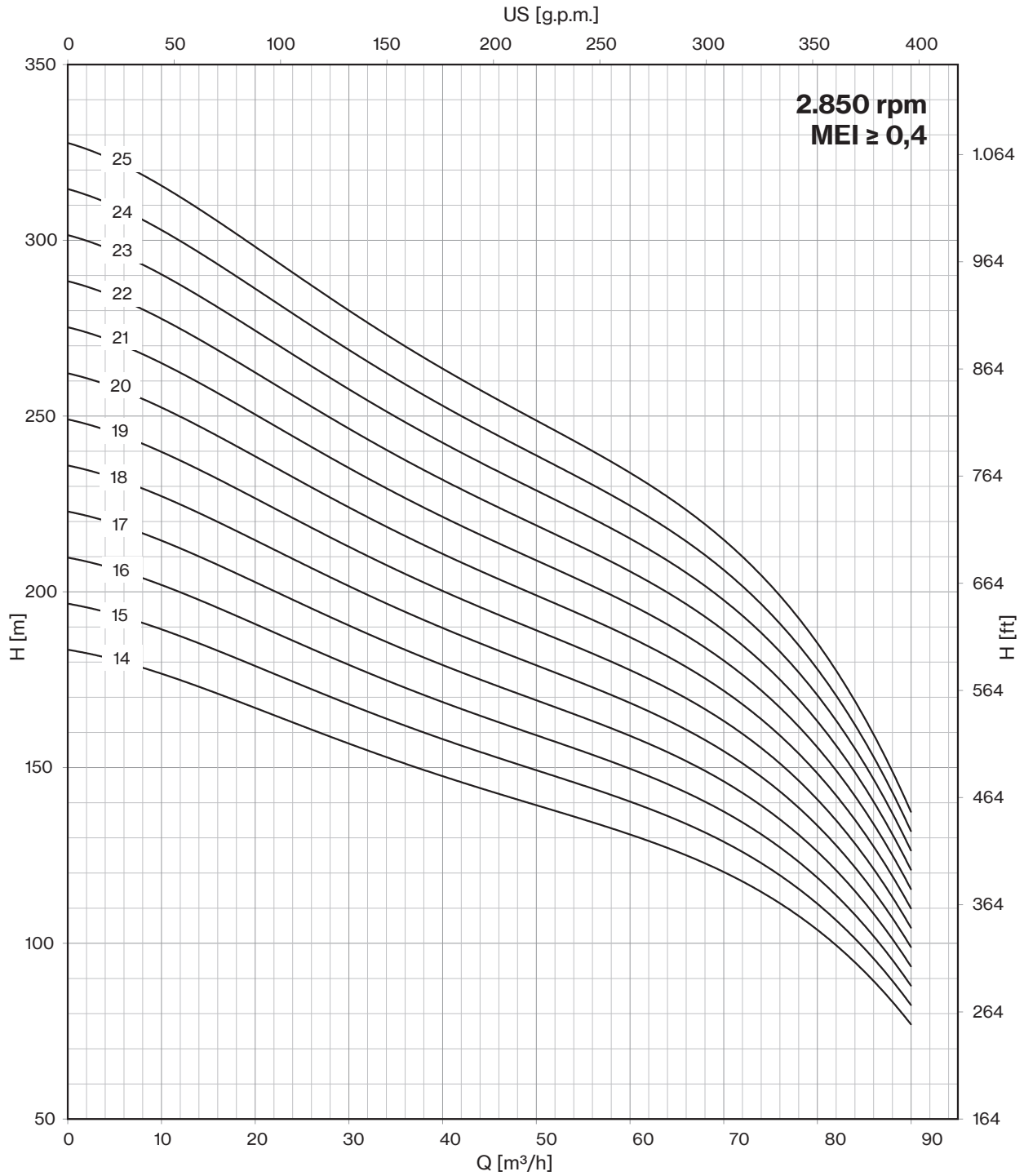
Max Eff. % =	76
Max kW / St. =	2,8

Q (flow)	25%	50%	75%	100%
NPSH (m)	3,8	3,8	5,1	7,1

FOR COMMERCIAL TUBE  
EXTERNAL DIAMETER: 88,9 mm



# 6LM 70

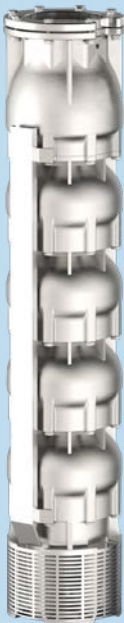


# 8LR & 8LM lines

## Deepwell Borehole



8LR line



8LM line



Submersible multistage centrifugal pumps for 8" wells. Check valve built into the delivery outlet. Pump flange for coupling with motors are made according to NEMA standards. Most common applications are civil and agricultural. All components are made of stainless steel with lost wax Microfusion technology. The standard material is AISI 304 stainless steel, alternatively the following materials are available on request: AISI 316 Steel, Duplex steel. Bushing bearings and wear-rings made of sand abrasion-resistant rubber, reverse-Thrust ring in PTFE/Graphite.

### General operating data:

- Capacity up to 192 m<sup>3</sup>/h
- Pressure up to 768 m
- Hydraulic efficiency 8", up to 78,5%
- Pressure up to 80 bar
- Powers up to 185 kW
- Rotation speed up to 2.900 rpm
- Maximum depth: 350 m
- Maximum quantity of permitted sand: 100 gr/m<sup>3</sup>
- Drinking water compatibility according to DM174 MEI >= 0,4 (EU directive No.547/2012)
- Performance tolerance: ISO9906-3B.

### Construction features

<b>Suction and delivery outlet</b>	stainless steel AISI 304 (LRS-LMS) stainless steel AISI 316 (LRX-LMX) Duplex (LRD-LMD)
<b>Valve</b>	stainless steel AISI 304 (LRS-LMS) stainless steel AISI 316 (LRX-LMX) Duplex (LRD-LMD)
<b>Impellers and diffusers</b>	stainless steel AISI 304 (LRS-LMS) stainless steel AISI 316 (LRX-LMX) Duplex (LRD-LMD)
<b>Upper bushings</b>	NBR rubber
<b>Shaft pump side</b>	stainless steel AISI 304 (LRS-LMS) stainless steel AISI 316 (LRX-LMX) Duplex (LRD-LMD)
<b>Quantity of sand in the water</b>	max 100 gr/m <sup>3</sup>

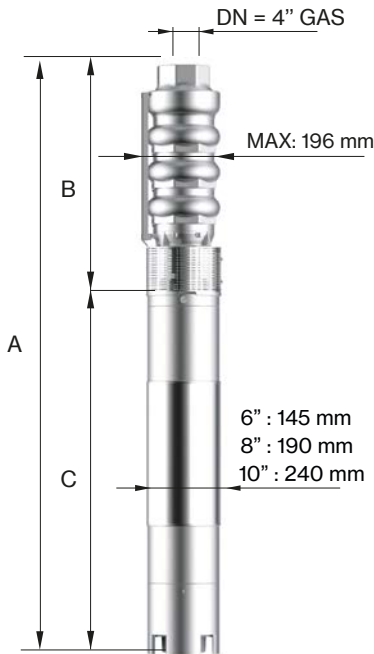
### Motor

<b>Asynchronous 2 pole</b>	rewindable water cooled
<b>Insulation class</b>	Y (max 30 °C) - PPC winding type F (max 50 °C) - PE2+PA or LPE winding type
<b>Protection degree</b>	IP68
<b>Liquid temperature</b>	max 30 °C (max 50 °C on request)
<b>Depth of immersion</b>	max 350 m



# 8LR 34

Motor 50 Hz - 2900 rpm				Q									
TYPE	Power		400 V	l/min l/sec m³/h	0	150	200	300	400	500	600	700	750
	HP	kW			A	0	2,5	3,3	5,0	6,7	8,3	10,0	11,7
			0	9		12	18	24	30	36	42	45	
8LR 34/01	4	3	7,5	H[m]	23	22	21	20	20	18	17	14	13
8LR 34/02	7,5	5,5	12,5		46	45	42	41	39	37	33	28	25
8LR 34/03	10	7,5	16,3		69	67	64	61	59	55	50	41	38
8LR 34/04	15	11	23,4		92	90	85	82	78	73	66	55	51
8LR 34/05	17,5	13	27,3		115	112	106	102	98	92	83	69	64
8LR 34/06	20	15	31,5		138	134	127	122	117	110	99	83	76
8LR 34/07	25	18,5	38,3		161	157	148	143	137	128	116	97	89
8LR 34/08	30	22	45,1		184	179	170	163	156	146	132	110	102
8LR 34/09	30	22	45,1		207	202	191	184	176	165	149	124	114
8LR 34/10	35	26	52,9		230	224	212	204	195	183	165	138	127
8LR 34/11	40	30	61,1		253	246	233	224	215	201	182	152	140
8LR 34/12	40	30	61,1		276	269	254	245	234	220	198	166	152
8LR 34/13	50	37	75,8		299	291	276	265	254	238	215	179	165
8LR 34/14	50	37	75,8		322	314	297	286	273	256	231	193	178
8LR 34/15	50	37	75,8		345	336	318	306	293	275	248	207	191
8LR 34/16	60	45	86,3		368	358	339	326	312	293	264	221	203
8LR 34/17	60	45	86,3		391	381	360	347	332	311	281	235	216
8LR 34/18	60	45	86,3		414	403	382	367	351	329	297	248	229
8LR 34/19	75	55	106,2		437	426	403	388	371	348	314	262	241



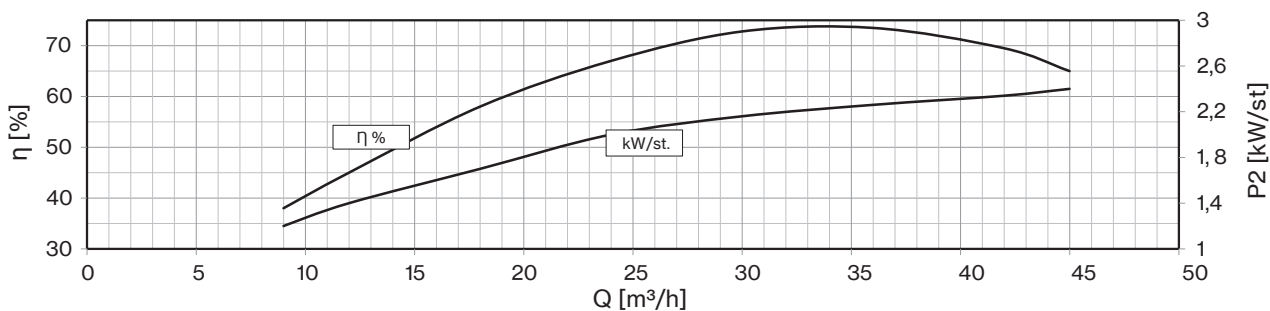
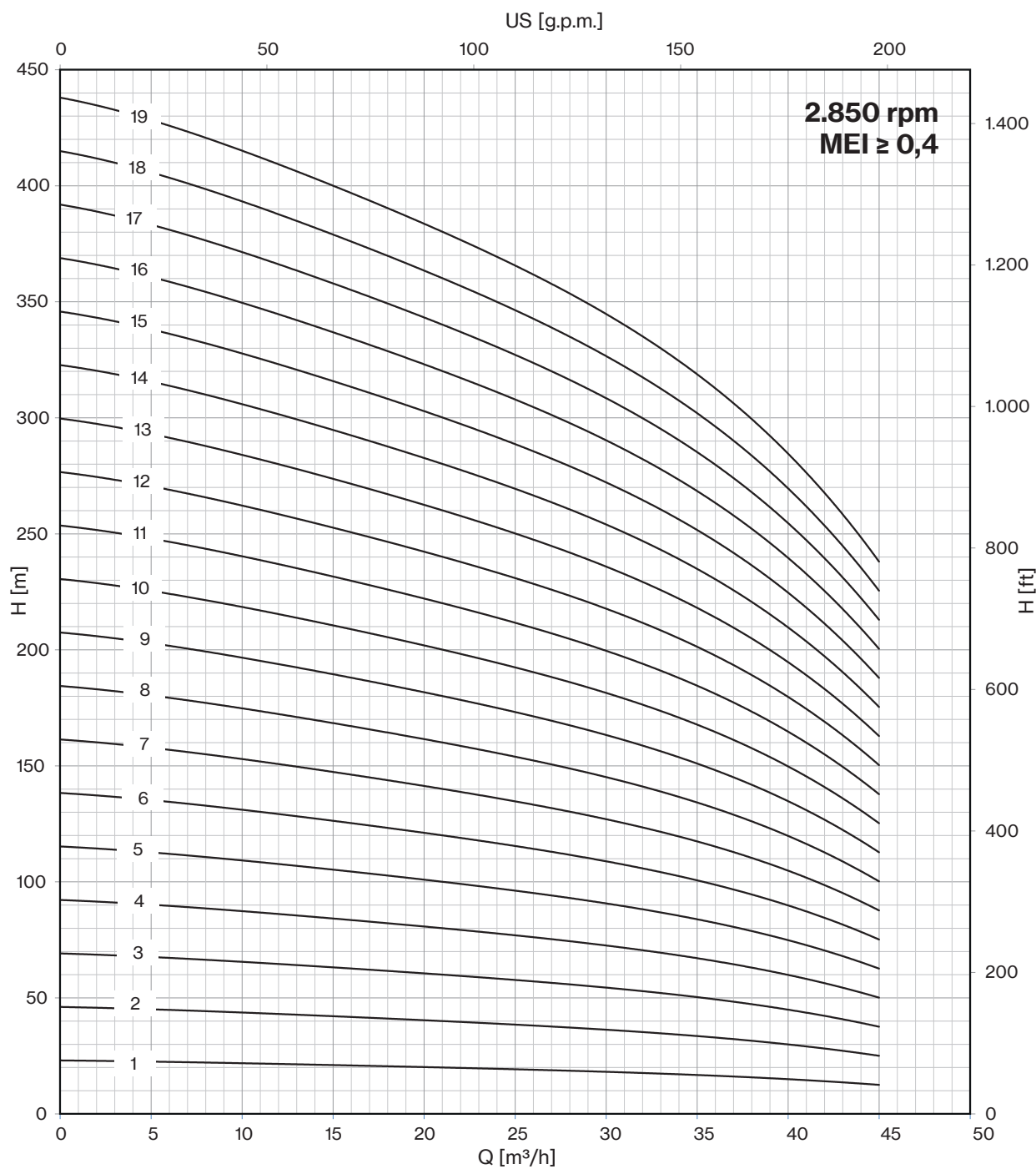
Motor 50 Hz 2900 rpm	DIMENSIONS (mm)			Weight (kg)	
TYPE	A	B	C	M	P
8LR 34/01	917	360	557	19	15
8LR 34/02	1138	440	698	27	21
8LR 34/03	1221	520	701	55	27
8LR 34/04	1411	600	811	65	33
8LR 34/05	1521	680	841	70	40
8LR 34/06	1691	760	931	75	46
8LR 34/07	1831	840	991	83	52
8LR 34/08	1991	920	1071	92	58
8LR 34/09	2071	1000	1071	92	64
8LR 34/10	2261	1080	1181	100	70
8LR 34/11	2411	1160	1251	108	76
8LR 34/12	2491	1240	1251	108	82
8LR 34/13	2661	1320	1341	118	88
8LR 34/14	2771	1430	1341	118	95
8LR 34/15	2851	1510	1341	118	101
8LR 34/16	2713	1590	1123	178	107
8LR 34/17	2793	1670	1123	178	113
8LR 34/18	2873	1750	1123	178	119
8LR 34/19	3063	1830	1233	200	125

Max Eff. % =	73,5
Max kW / St. =	2,4

Q (flow)	25%	50%	75%	100%
NPSH (m)	3	3	4,5	6,7

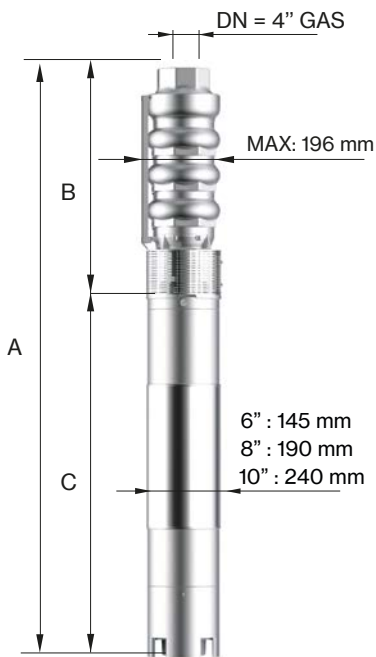






# 8LR 34

Motor 50 Hz - 2900 rpm				Q									
TYPE	Power		400 V	l/min l/sec m <sup>3</sup> /h	0	150	200	300	400	500	600	700	750
	HP	kW			A	0	2,5	3,3	5,0	6,7	8,3	10,0	11,7
					0	9	12	18	24	30	36	42	45
8LR 34/20*	75	55	106,2	H[m]	460	448	424	408	390	366	330	276	254
8LR 34/21*	75	55	106,2		483	470	445	428	410	384	347	290	267
8LR 34/22*	75	55	106,2		506	493	466	449	429	403	363	304	279
8LR 34/23*	90	66	126,0		529	515	488	469	449	421	380	317	292
8LR 34/24*	90	66	126,0		552	538	509	490	468	439	396	331	305
8LR 34/25*	90	66	126,0		575	560	530	510	488	458	413	345	318
8LR 34/26*	90	66	126,0		598	582	551	530	507	476	429	359	330
8LR 34/27*	90	66	126,0		621	605	572	551	527	494	446	373	343
8LR 34/28*	100	75	143,2		644	627	594	571	546	512	462	386	356
8LR 34/29*	100	75	143,2		667	650	615	592	566	531	479	400	368
8LR 34/30*	100	75	143,2		690	672	636	612	585	549	495	414	381
8LR 34/31*	100	75	143,2		713	694	657	632	605	567	512	428	394
8LR 34/32*	125	92	175,1		736	717	678	653	624	586	528	442	406
8LR 34/33*	125	92	175,1		759	739	700	673	644	604	545	455	419



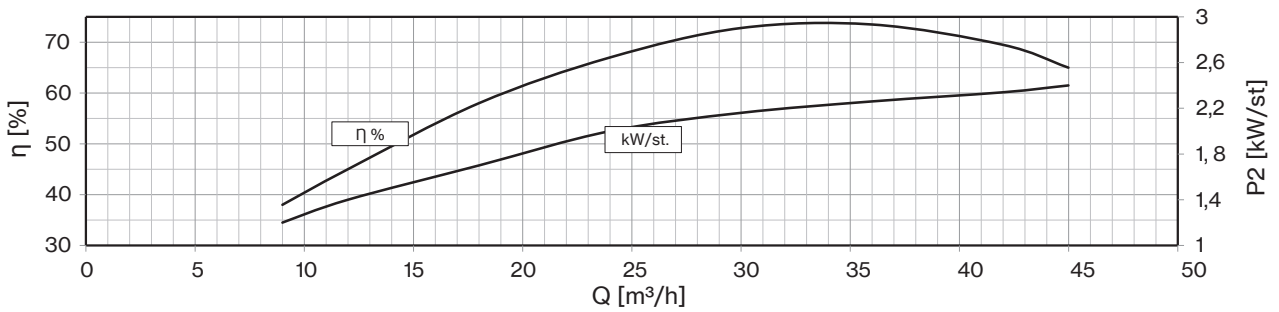
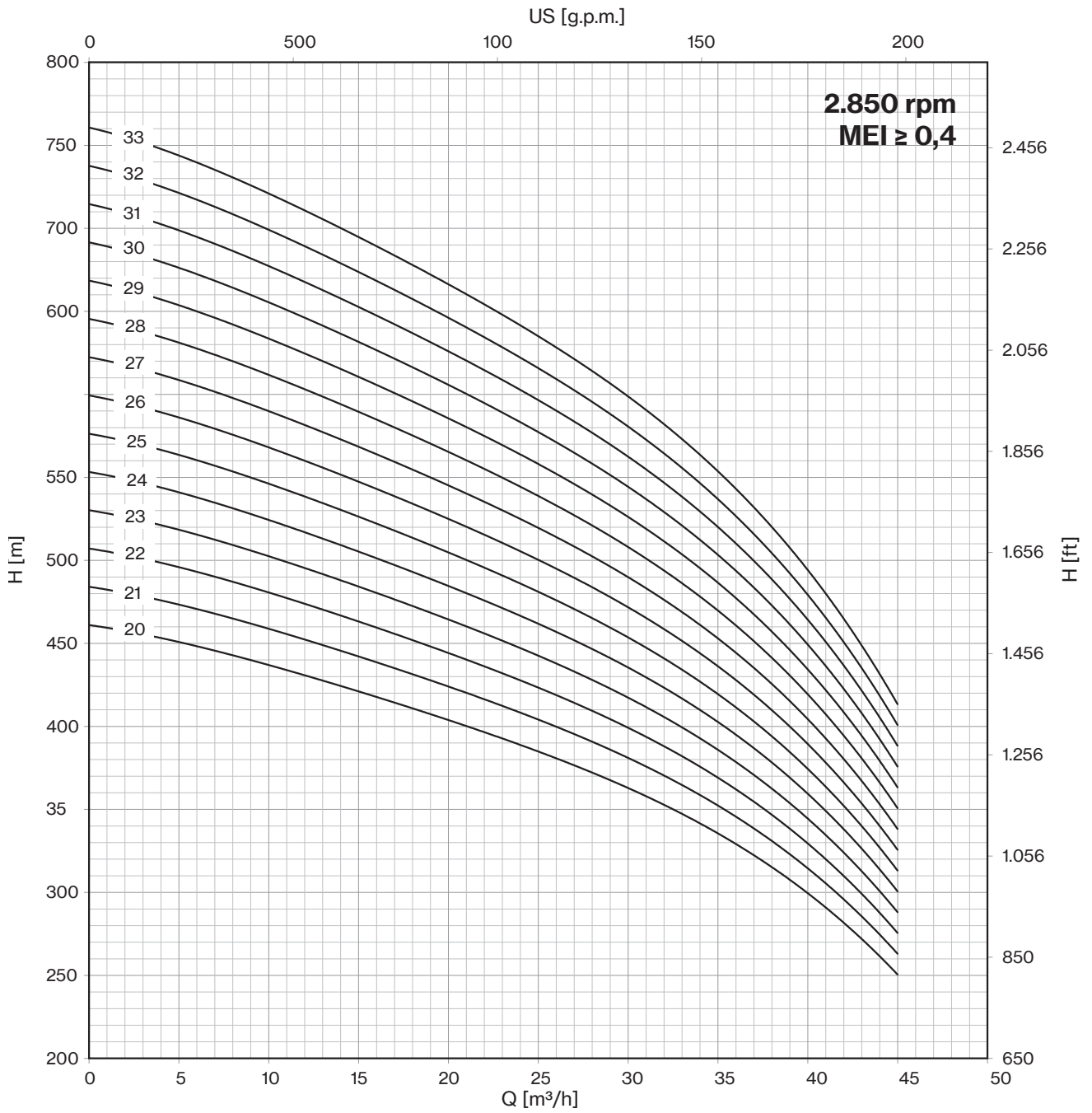
Motor 50 Hz 2900 rpm	DIMENSIONS (mm)			Weight (kg)	
TYPE	A	B	C	M	P
8LR 34/20*	3143	1910	1233	200	132
8LR 34/21*	3223	1990	1233	200	138
8LR 34/22*	3303	2070	1233	200	144
8LR 34/23*	3582	2280	1302	214	155
8LR 34/24*	3662	2360	1302	214	161
8LR 34/25*	3742	2440	1302	214	167
8LR 34/26*	3822	2520	1302	214	173
8LR 34/27*	3902	2600	1302	214	179
8LR 34/28*	4063	2680	1383	230	185
8LR 34/29*	4143	2760	1383	230	191
8LR 34/30*	4223	2840	1383	230	198
8LR 34/31*	4303	2920	1383	230	204
8LR 34/32*	4583	3000	1583	270	210
8LR 34/33*	4663	3080	1583	270	216

Max Eff. % =	73,5
Max kW / St. =	2,4

Q (flow)	25%	50%	75%	100%
NPSH (m)	3	3	4,5	6,7

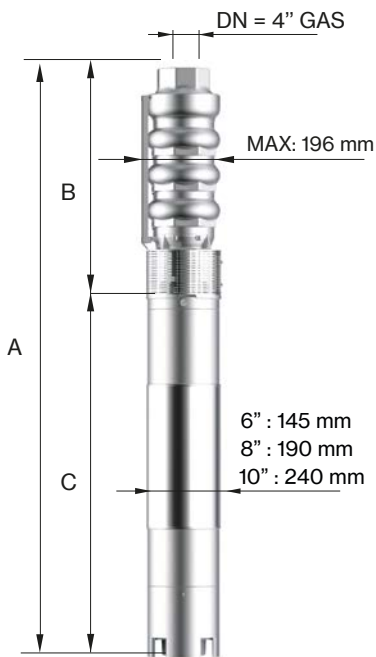
\* Coupled pump shaft





# 8LR 42

Motor 50 Hz - 2900 rpm				Q									
TYPE	Power		400 V	l/min l/sec m <sup>3</sup> /h	0	200	300	400	500	600	700	800	900
	HP	kW			A	0	3,3	5,0	6,7	8,3	10,0	11,7	13,3
					H[m]	0	12	18	24	30	36	42	48
8LR 42/01	4	3	7,5	H[m]	24	23	22	21	20	18	16	14	11
8LR 42/02	10	7,5	16,3		48	46	43	42	39	36	32	28	21
8LR 42/03	12,5	9,2	19,9		72	68	65	62	59	55	49	41	32
8LR 42/04	17,5	13	27,3		96	91	86	83	78	73	65	55	42
8LR 42/05	20	15	31,5		120	114	108	104	98	91	81	69	53
8LR 42/06	25	18,5	38,3		144	137	130	125	118	109	97	83	64
8LR 42/07	30	22	45,1		168	160	151	146	137	127	113	97	74
8LR 42/08	35	26	52,9		192	182	173	166	157	146	130	110	85
8LR 42/09	35	26	52,9		216	205	194	187	176	164	146	124	95
8LR 42/10	40	30	61,1		240	228	216	208	196	182	162	138	106
8LR 42/11	50	37	75,8		264	251	238	229	216	200	178	152	117
8LR 42/12	50	37	75,8		288	274	259	250	235	218	194	166	127
8LR 42/13	50	37	75,8		312	296	281	270	255	237	211	179	138
8LR 42/14	60	45	86,3		336	319	302	291	274	255	227	193	148
8LR 42/15	60	45	86,3		360	342	324	312	294	273	243	207	159
8LR 42/16	60	45	86,3		384	365	346	333	314	291	259	221	170

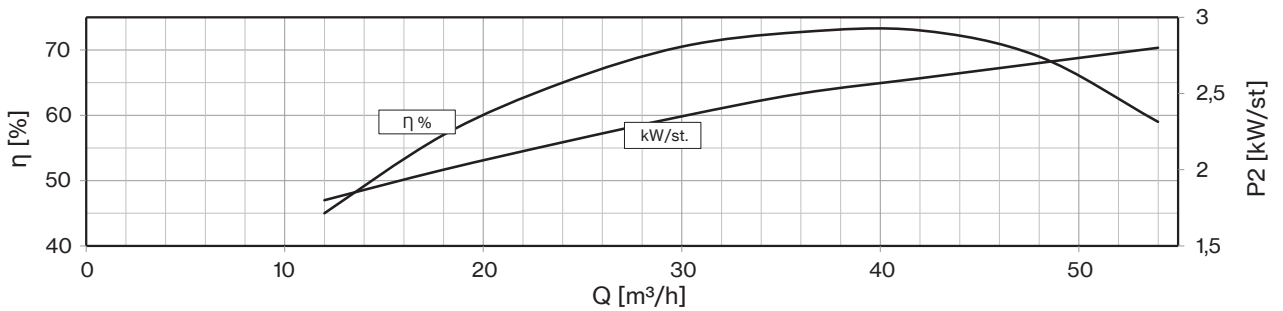
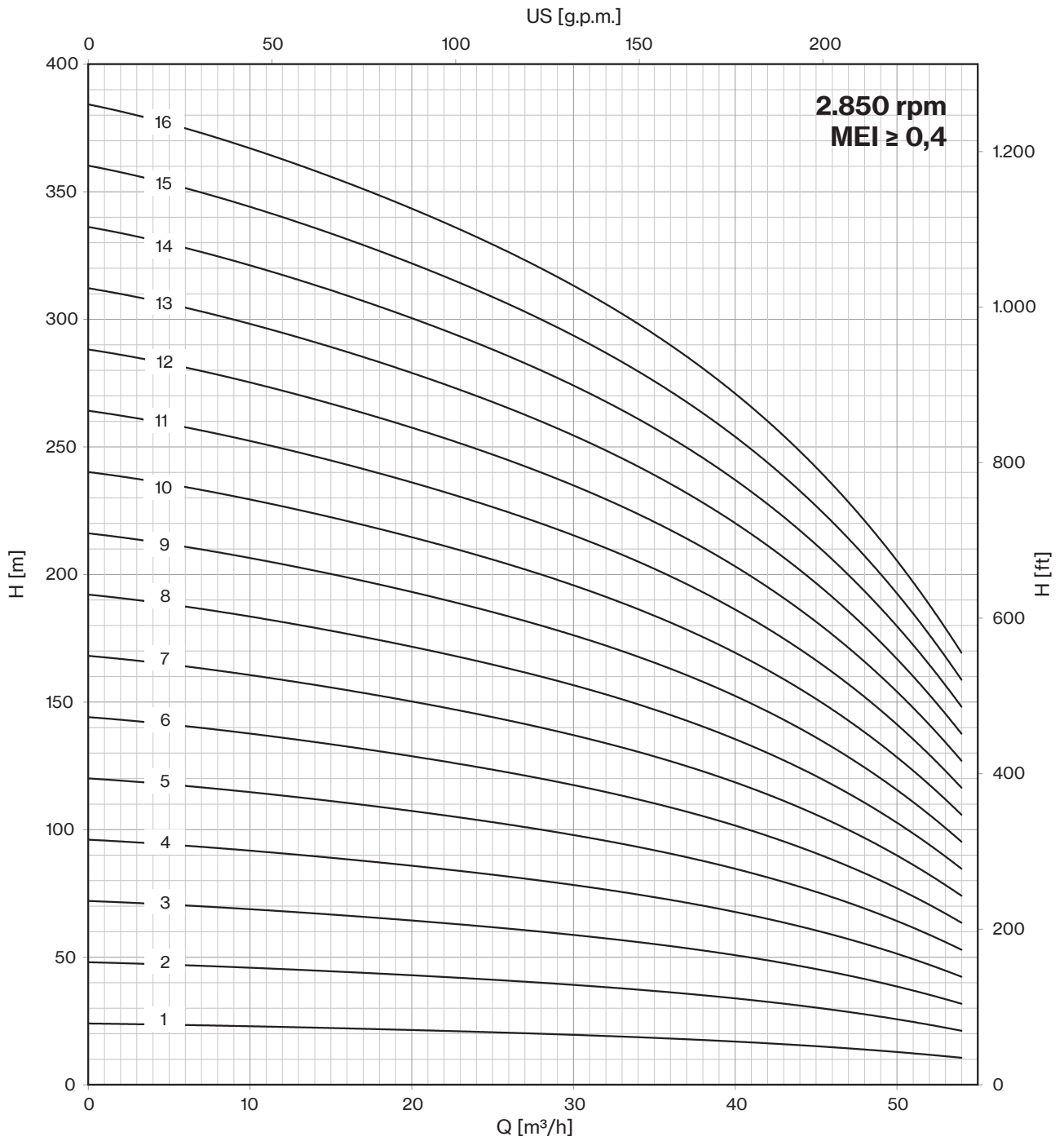


Motor 50 Hz 2900 rpm	DIMENSIONS (mm)			Weight (kg)	
	TYPE	A	B	C	M
8LR 42/01	917	360	557	19	15
8LR 42/02	1141	440	701	55	21
8LR 42/03	1271	520	751	60	27
8LR 42/04	1441	600	841	70	33
8LR 42/05	1611	680	931	75	40
8LR 42/06	1751	760	991	83	46
8LR 42/07	1911	840	1071	92	52
8LR 42/08	2101	920	1181	100	58
8LR 42/09	2181	1000	1181	100	64
8LR 42/10	2331	1080	1251	108	70
8LR 42/11	2501	1160	1341	118	76
8LR 42/12	2581	1240	1341	118	82
8LR 42/13	2661	1320	1341	118	88
8LR 42/14	2553	1430	1123	178	95
8LR 42/15	2633	1510	1123	178	101
8LR 42/16	2713	1590	1123	178	107

Max Eff. % =	73
Max kW / St. =	2,8

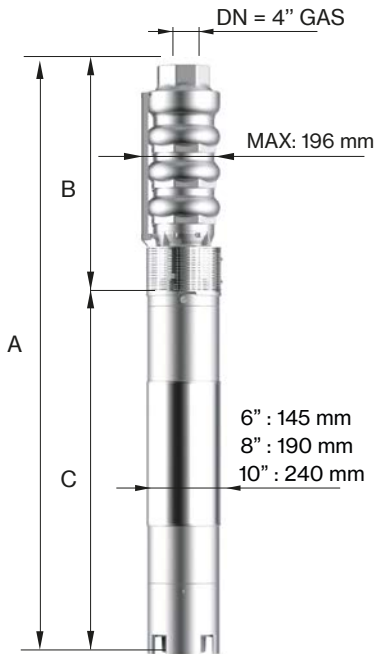
Q (flow)	25%	50%	75%	100%
NPSH (m)	3,4	3,4	3,8	8





# 8LR 42

Motor 50 Hz - 2900 rpm				Q									
TYPE	Power		400 V	l/min l/sec m <sup>3</sup> /h	0	200	300	400	500	600	700	800	900
	HP	kW			A	0	3,3	5,0	6,7	8,3	10,0	11,7	13,3
				H[m]	0	12	18	24	30	36	42	48	54
8LR 42/17	75	55	106,2	H[m]	408	388	367	354	333	309	275	235	180
8LR 42/18	75	55	106,2		432	410	389	374	353	328	292	248	191
8LR 42/19	75	55	106,2		456	433	410	395	372	346	308	262	201
8LR 42/20*	90	66	126,0		480	456	432	416	392	364	324	276	212
8LR 42/21*	90	66	126,0		504	479	454	437	412	382	340	290	223
8LR 42/22*	90	66	126,0		528	502	475	458	431	400	356	304	233
8LR 42/23*	90	66	126,0		552	524	497	478	451	419	373	317	244
8LR 42/24*	100	75	143,2		576	547	518	499	470	437	389	331	254
8LR 42/25*	100	75	143,2		600	570	540	520	490	455	405	345	265
8LR 42/26*	100	75	143,2		624	593	562	541	510	473	421	359	276
8LR 42/27*	125	92	175,1		648	616	583	562	529	491	437	373	286
8LR 42/28*	125	92	175,1		672	638	605	582	549	510	454	386	297
8LR 42/29*	125	92	175,1		696	661	626	603	568	528	470	400	307
8LR 42/30*	125	92	175,1		720	684	648	624	588	546	486	414	318
8LR 42/31*	125	92	175,1		744	707	670	645	608	564	502	428	329
8LR 42/32*	125	92	175,1		768	730	691	666	627	582	518	442	339



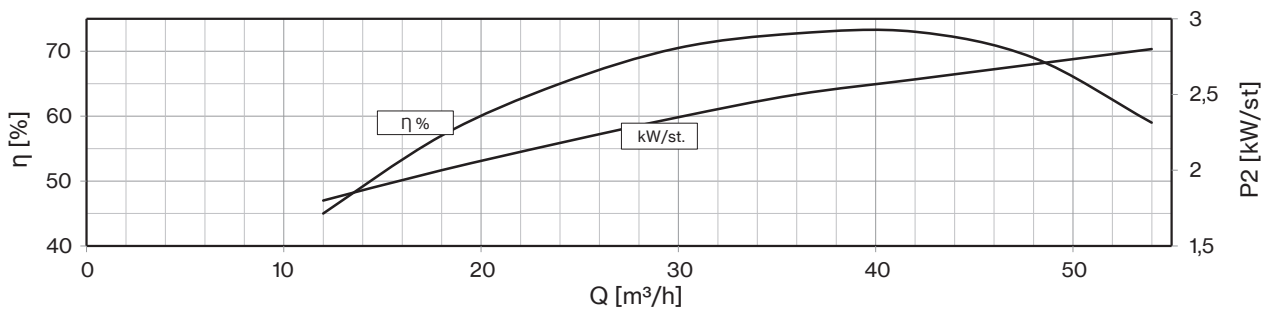
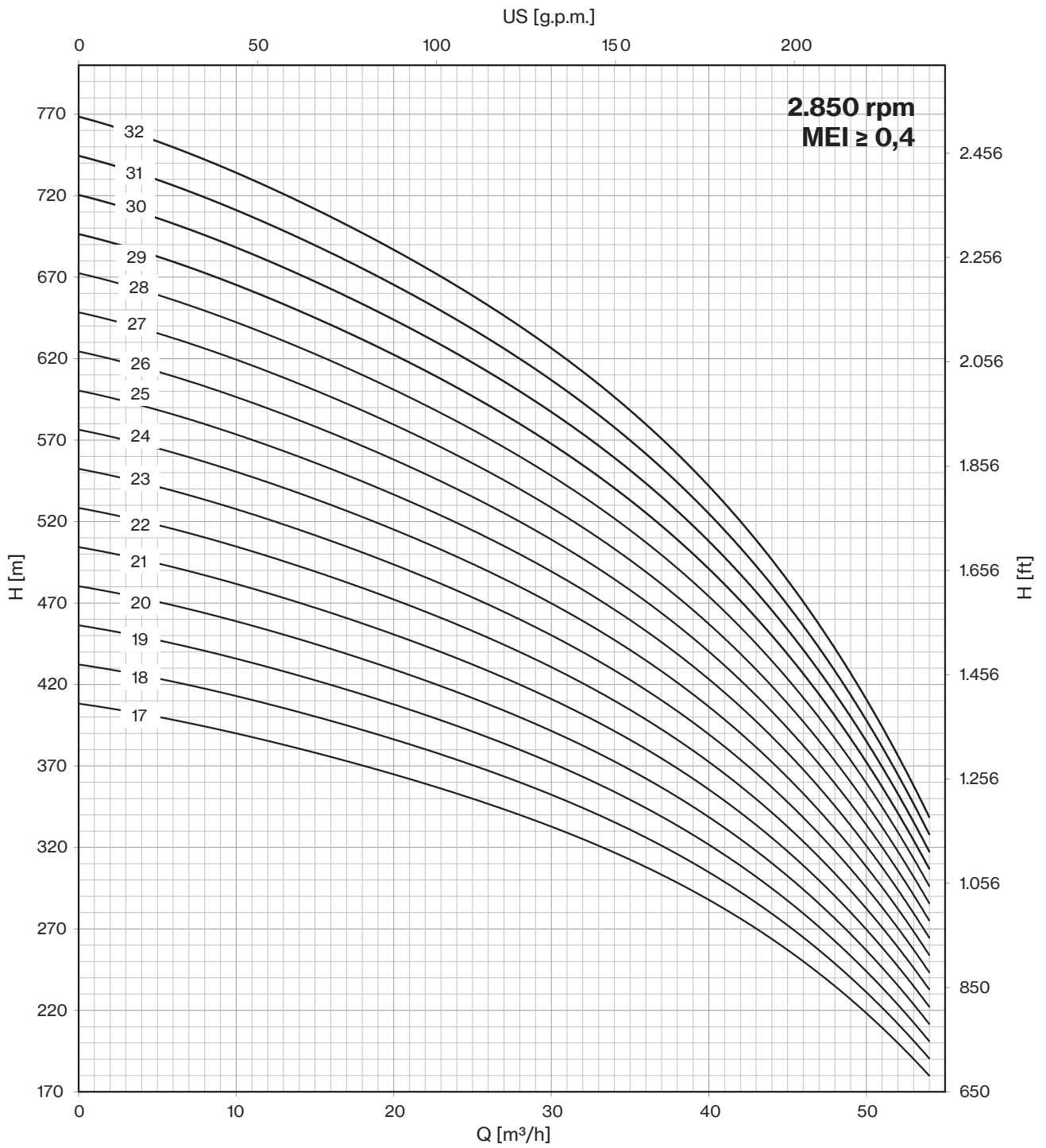
Motor 50 Hz 2900 rpm	DIMENSIONS (mm)			Weight (kg)	
	TYPE	A	B	C	M
8LR 42/17	2903	1670	1233	200	113
8LR 42/18	2983	1750	1233	200	119
8LR 42/19	3063	1830	1233	200	125
8LR 42/20*	3342	2040	1302	214	137
8LR 42/21*	3422	2120	1302	214	143
8LR 42/22*	3502	2200	1302	214	149
8LR 42/23*	3582	2280	1302	214	155
8LR 42/24*	3743	2360	1383	230	161
8LR 42/25*	3823	2440	1383	230	167
8LR 42/26*	3903	2520	1383	230	173
8LR 42/27*	4183	2600	1583	270	179
8LR 42/28*	4263	2680	1583	270	185
8LR 42/29*	4343	2760	1583	270	191
8LR 42/30*	4423	2840	1583	270	198
8LR 42/31*	4503	2920	1583	270	204
8LR 42/32*	4583	3000	1583	270	210

Max Eff. % =	73
Max kW / St. =	2,8

Q (flow)	25%	50%	75%	100%
NPSH (m)	3,4	3,4	3,8	8

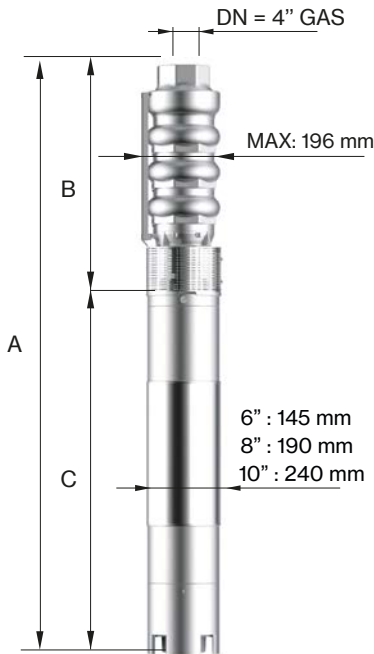
\* Coupled pump shaft





# 8LR 52

Motor 50 Hz - 2900 rpm				Q									
TYPE	Power		400 V	l/min l/sec m <sup>3</sup> /h	0	300	500	600	700	800	900	1000	1100
	HP	kW			A	0	5,0	8,3	10,0	11,7	13,3	15,0	16,7
					0	18	30	36	42	48	54	60	66
8LR 52/01	5,5	4	10,0	H[m]	24	23	22	20	19	18	16	15	13
8LR 52/02	10	7,5	16,3		48	46	43	41	39	36	33	29	26
8LR 52/03	15	11	23,4		72	68	65	61	58	53	49	44	38
8LR 52/04	20	15	31,5		96	91	86	81	77	71	65	58	51
8LR 52/05	25	18,5	38,3		120	114	108	102	97	89	82	73	64
8LR 52/06	30	22	45,1		144	137	129	122	116	107	98	87	77
8LR 52/07	35	26	52,9		168	159	151	142	135	125	114	102	90
8LR 52/08	40	30	61,1		192	182	172	162	154	142	130	116	102
8LR 52/09	50	37	75,8		216	205	194	183	174	160	147	131	115
8LR 52/10	50	37	75,8		240	228	215	203	193	178	163	145	128
8LR 52/11	60	45	86,3		264	251	237	223	212	196	179	160	141
8LR 52/12	60	45	86,3		288	273	258	244	232	214	196	174	154
8LR 52/13	60	45	86,3		312	296	280	264	251	231	212	189	166
8LR 52/14	75	55	106,2		336	319	301	284	270	249	228	203	179
8LR 52/15	75	55	106,2		360	342	323	305	290	267	245	218	192
8LR 52/16	75	55	106,2		384	364	344	325	309	285	261	232	205



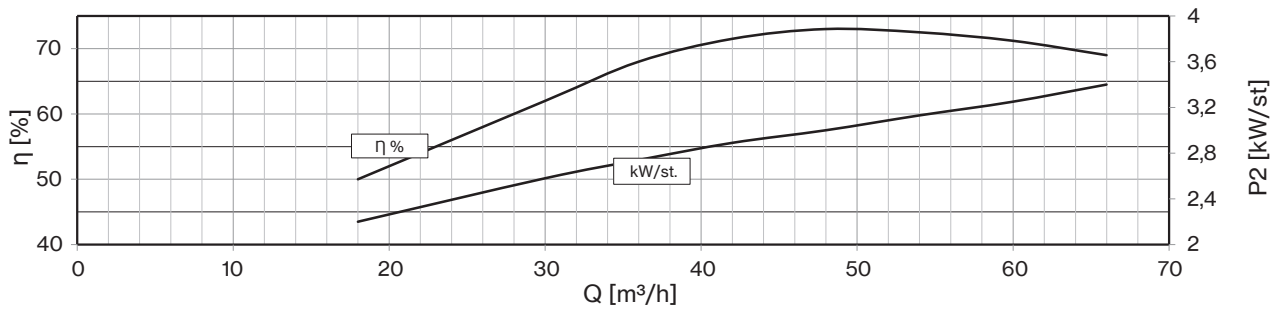
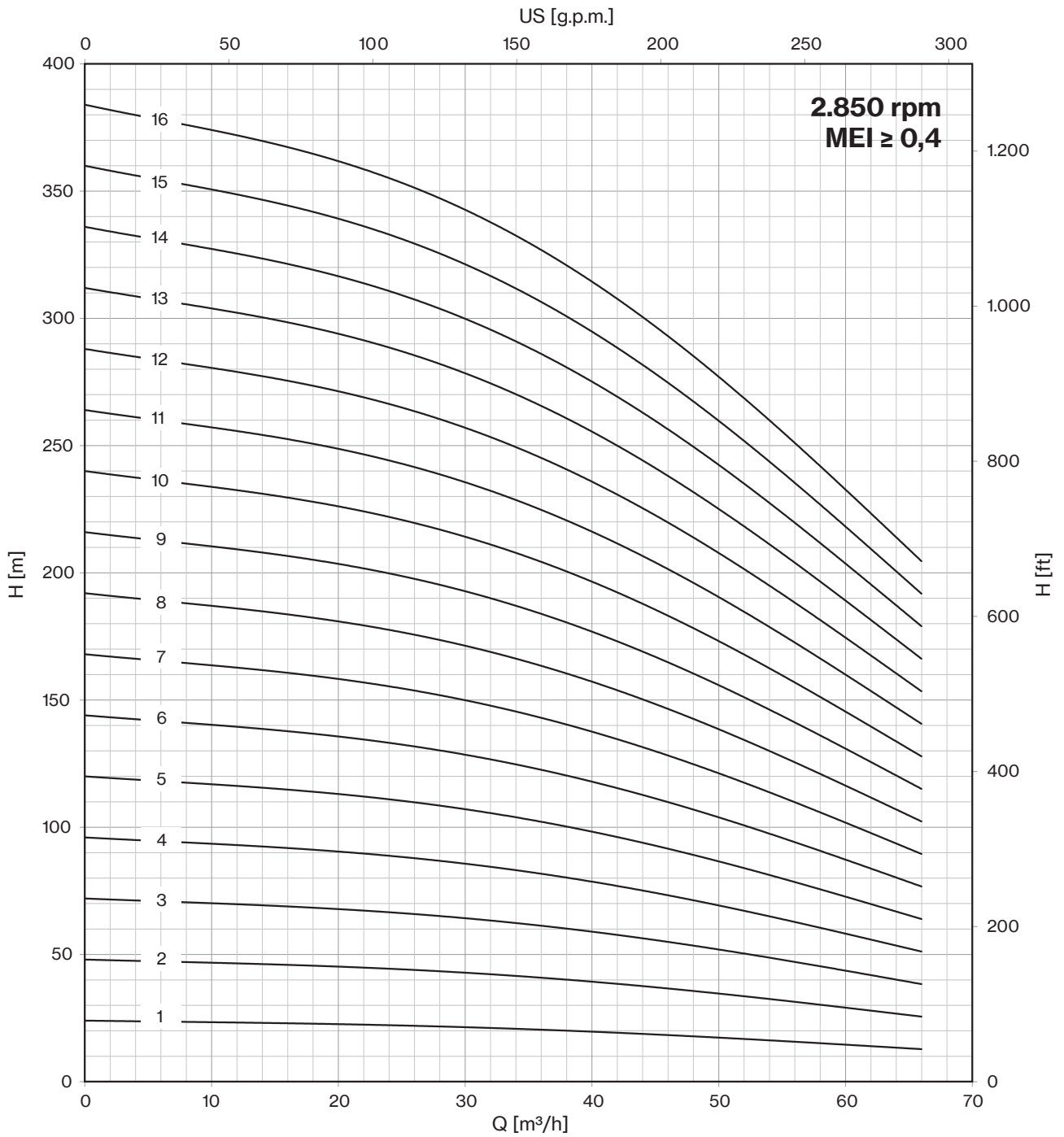
Motor 50 Hz 2900 rpm	DIMENSIONS (mm)			Weight (kg)	
TYPE	A	B	C	M	P
8LR 52/01	965	368	597	22	16
8LR 52/02	1157	456	701	55	22
8LR 52/03	1355	544	811	65	29
8LR 52/04	1563	632	931	75	35
8LR 52/05	1711	720	991	83	42
8LR 52/06	1879	808	1071	92	48
8LR 52/07	2077	896	1181	100	55
8LR 52/08	2235	984	1251	108	61
8LR 52/09	2413	1072	1341	118	68
8LR 52/10	2501	1160	1341	118	74
8LR 52/11	2401	1278	1123	178	81
8LR 52/12	2489	1366	1123	178	88
8LR 52/13	2577	1454	1123	178	94
8LR 52/14	2775	1542	1233	200	101
8LR 52/15	2863	1630	1233	200	107
8LR 52/16	2951	1718	1233	200	114

Max Eff. % =	73
Max kW / St. =	3,4

Q (flow)	25%	50%	75%	100%
NPSH (m)	3,5	3,5	6	8

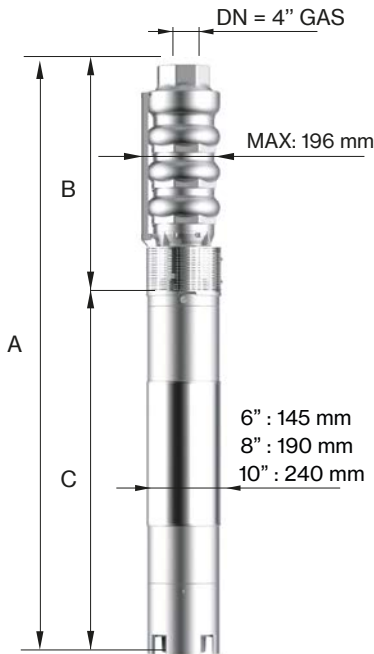






# 8LR 52

Motor 50 Hz - 2900 rpm				Q									
TYPE	Power		400 V	l/min l/sec m3/h	0	300	500	600	700	800	900	1000	1100
	HP	kW			A	0	5,0	8,3	10,0	11,7	13,3	15,0	16,7
			0	18		30	36	42	48	54	60	66	
8LR 52/17	90	66	126,0	H[m]	408	387	366	345	328	303	277	247	218
8LR 52/18	90	66	126,0		432	410	387	365	347	320	293	261	230
8LR 52/19	90	66	126,0		456	433	409	386	367	338	310	276	243
8LR 52/20*	100	75	143,2		480	456	430	406	386	356	326	290	256
8LR 52/21*	100	75	143,2		504	478	452	426	405	374	342	305	269
8LR 52/22*	100	75	143,2		528	501	473	447	425	392	359	319	282
8LR 52/23*	125	92	175,1		552	524	495	467	444	409	375	334	294
8LR 52/24*	125	92	175,1		576	547	516	487	463	427	391	348	307
8LR 52/25*	125	92	175,1		600	570	538	508	483	445	408	363	320
8LR 52/26*	125	92	175,1		624	592	559	528	502	463	424	377	333
8LR 52/27*	125	92	175,1		648	615	581	548	521	481	440	392	346
8LR 52/28 D*	150	110	219,0		672	638	602	568	540	498	456	406	358
8LR 52/29 D*	150	110	211,0		696	661	624	589	560	516	473	421	371
8LR 52/30 D*	150	110	211,0		720	683	645	609	579	534	489	435	384
8LR 52/31 D*	150	110	211,0		744	706	667	629	598	552	505	450	397
8LR 52/32 D*	150	110	211,0		768	729	688	650	618	570	522	464	410



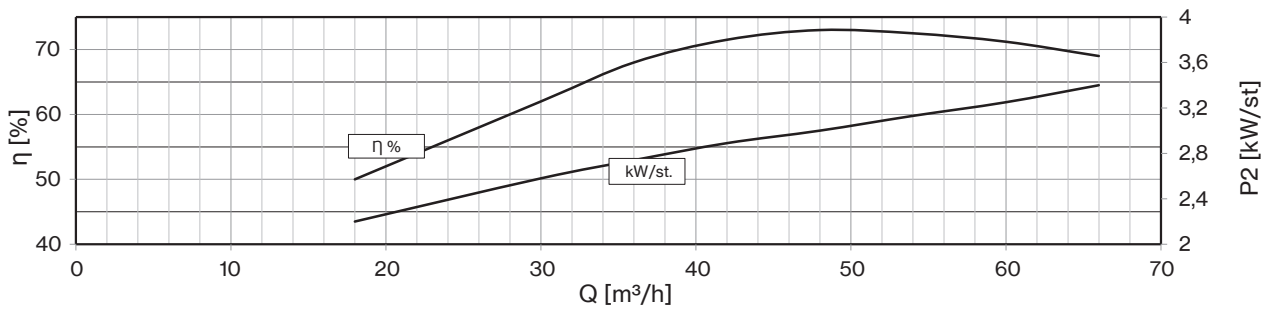
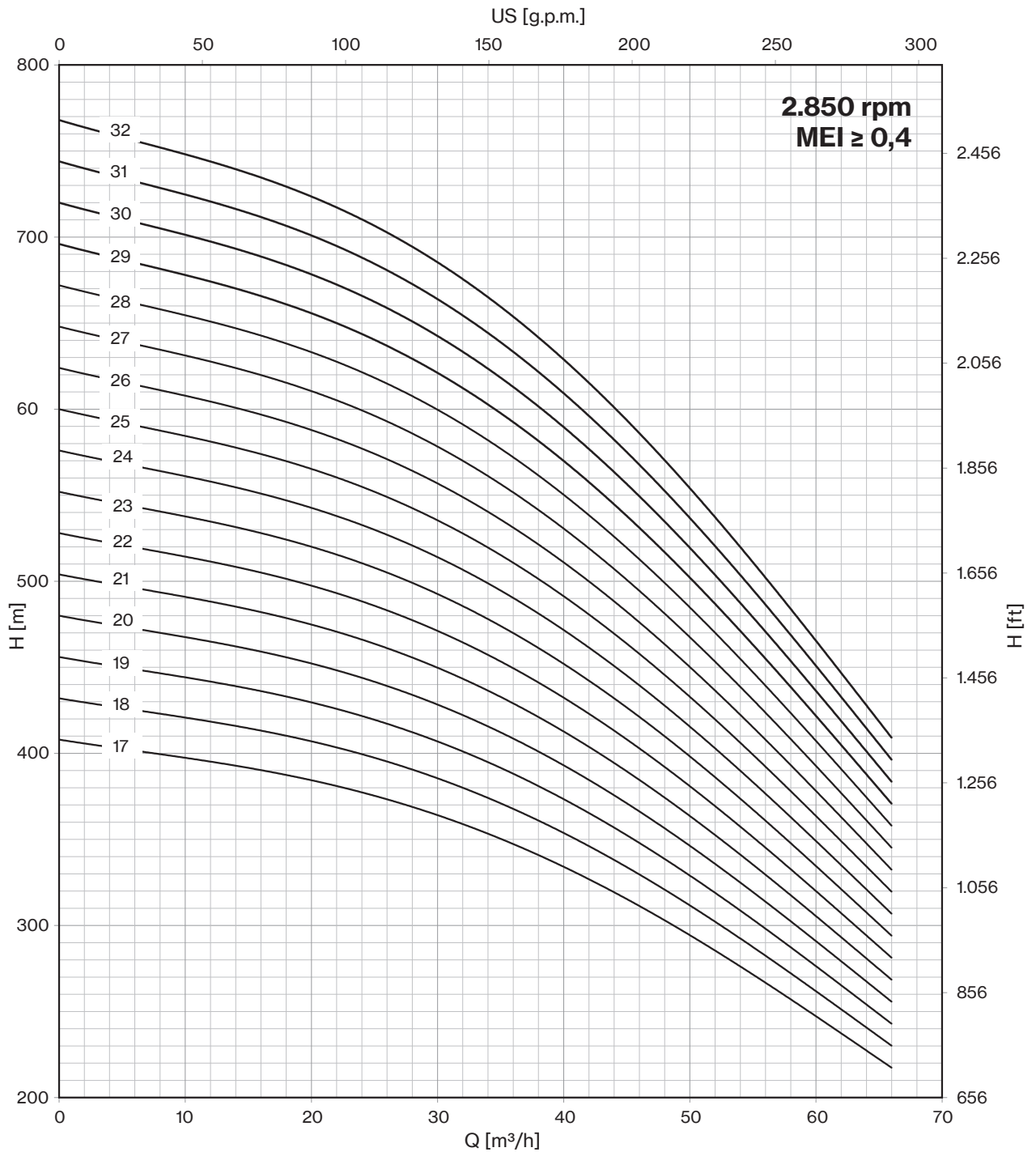
Motor 50 Hz 2900 rpm	DIMENSIONS (mm)			Weight (kg)	
	TYPE	A	B	C	M
8LR 52/17	3108	1806	1302	214	120
8LR 52/18	3196	1894	1302	214	127
8LR 52/19	3284	1982	1302	214	133
8LR 52/20*	3583	2200	1383	230	145
8LR 52/21*	3671	2288	1383	230	151
8LR 52/22*	3759	2376	1383	230	158
8LR 52/23*	4047	2464	1583	270	164
8LR 52/24*	4135	2552	1583	270	171
8LR 52/25*	4223	2640	1583	270	177
8LR 52/26*	4311	2728	1583	270	184
8LR 52/27*	4399	2816	1583	270	190
8LR 52/28 D*	4824	2904	1920	350	197
8LR 52/29 D*	4725	2992	1733	300	203
8LR 52/30 D*	4813	3080	1733	300	210
8LR 52/31 D*	4901	3168	1733	300	216
8LR 52/32 D*	4989	3256	1733	300	223

Max Eff. % =	73
Max kW / St. =	3,4

Q (flow)	25%	50%	75%	100%
NPSH (m)	3,5	3,5	6	8

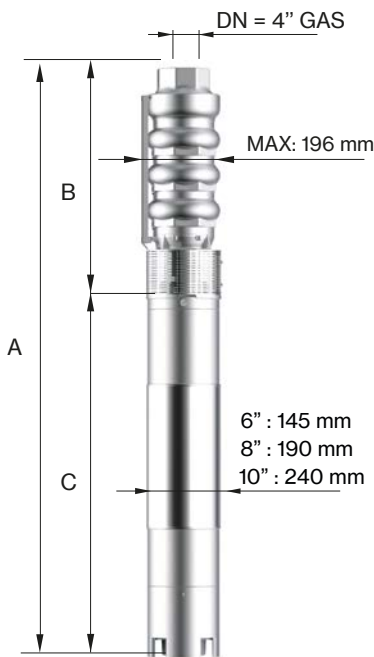
\* Coupled pump shaft  
"D" Pump shaft in Duplex





# 8LR 62

Motor 50 Hz - 2900 rpm				Q									
TYPE	Power		400 V	l/min l/sec m <sup>3</sup> /h	0	300	600	800	900	1000	1100	1200	1300
	HP	kW			A	0	5,0	10,0	13,3	15,0	16,7	18,3	20,0
					0	18	36	48	54	60	66	72	78
8LR 62/01	5,5	4	10,0	H[m]	23	22	20	18	17	15	14	12	11
8LR 62/02	12,5	9,2	19,9		46	43	40	36	33	30	27	24	21
8LR 62/03	17,5	13	27,3		69	65	60	54	50	45	41	36	32
8LR 62/04	25	18,5	38,3		92	86	80	72	66	60	54	48	42
8LR 62/05	30	22	45,1		115	108	100	90	83	75	68	60	53
8LR 62/06	35	26	52,9		138	129	120	108	99	90	81	72	63
8LR 62/07	40	30	61,1		161	151	140	126	116	105	95	84	74
8LR 62/08	50	37	75,8		184	172	160	144	132	120	108	96	84
8LR 62/09	50	37	75,8		207	194	180	162	149	135	122	108	95
8LR 62/10	60	45	86,3		230	215	200	180	165	150	135	120	105
8LR 62/11	60	45	86,3		253	237	220	198	182	165	149	132	116
8LR 62/12	75	55	106,2		276	258	240	216	198	180	162	144	126
8LR 62/13	75	55	106,2		299	280	260	234	215	195	176	156	137
8LR 62/14	75	55	106,2		322	301	280	252	231	210	189	168	147
8LR 62/15	90	66	126,0		345	323	300	270	248	225	203	180	158

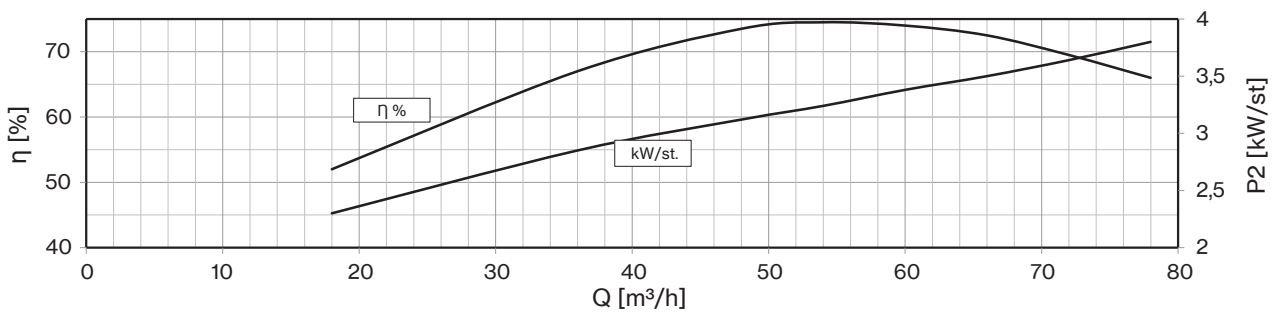
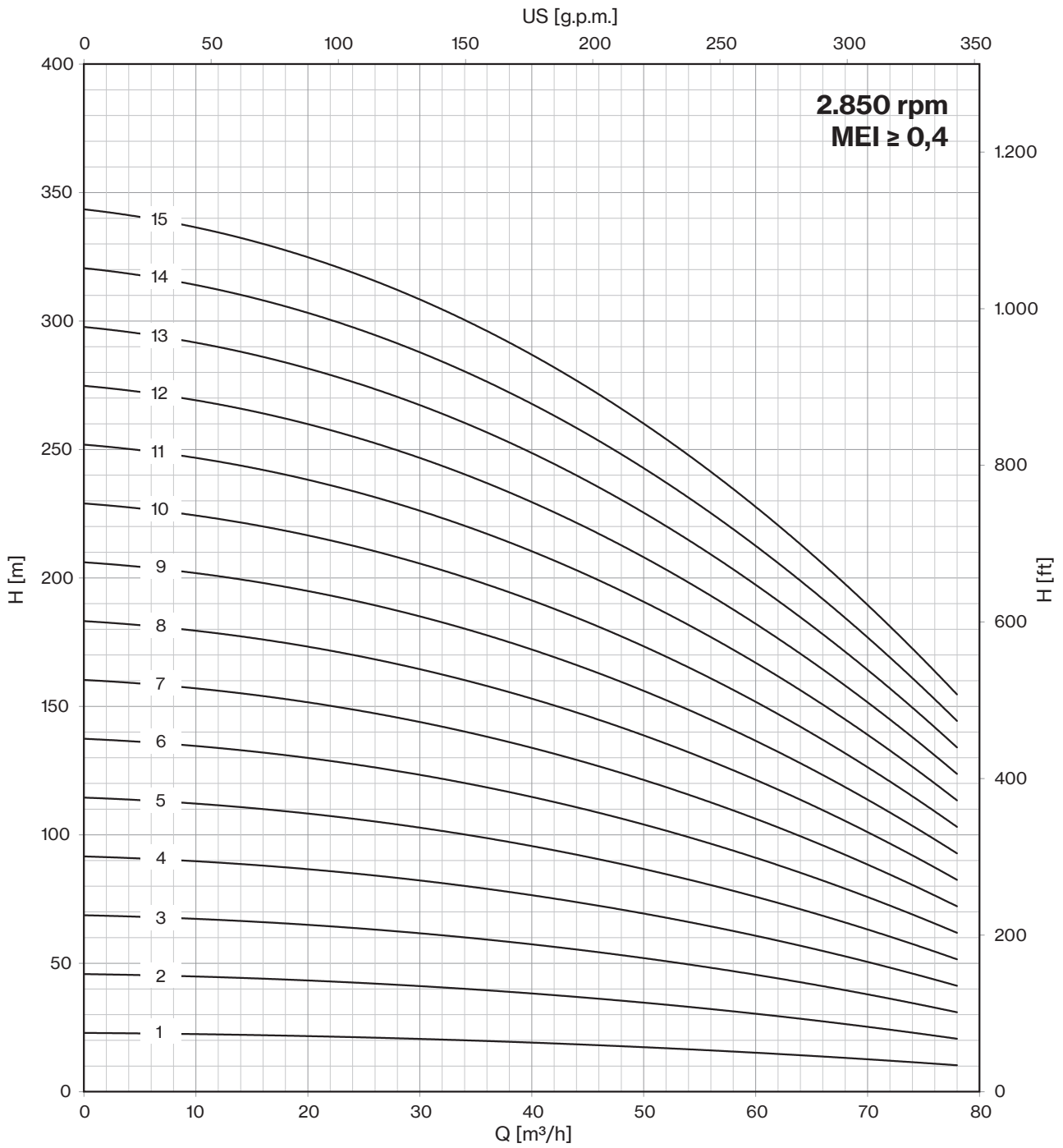


Motor 50 Hz 2900 rpm	DIMENSIONS (mm)			Weight (kg)	
	TYPE	A	B	C	M
8LR 62/01	965	368	597	22	16
8LR 62/02	1207	456	751	60	22
8LR 62/03	1385	544	841	70	29
8LR 62/04	1623	632	991	83	35
8LR 62/05	1791	720	1071	92	42
8LR 62/06	1989	808	1181	100	48
8LR 62/07	2147	896	1251	108	55
8LR 62/08	2325	984	1341	118	61
8LR 62/09	2413	1072	1341	118	68
8LR 62/10	2283	1160	1123	178	74
8LR 62/11	2401	1278	1123	178	81
8LR 62/12	2599	1366	1233	200	88
8LR 62/13	2687	1454	1233	200	94
8LR 62/14	2775	1542	1233	200	101
8LR 62/15	2932	1630	1302	214	107

Max Eff. % =	74,5
Max kW / St. =	3,8

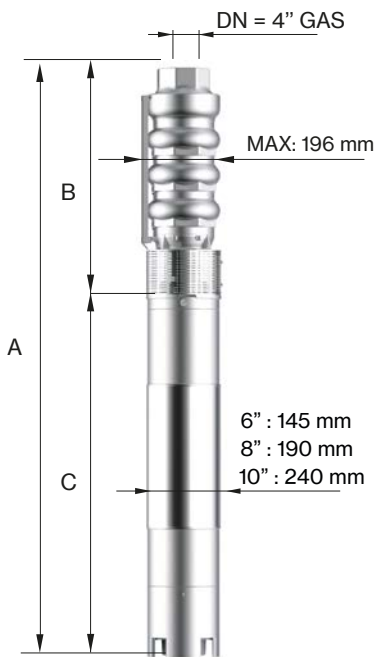
Q (flow)	25%	50%	75%	100%
NPSH (m)	3,4	3,4	6	8





# 8LR 62

Motor 50 Hz - 2900 rpm				Q									
TYPE	Power		400 V	l/min l/sec m <sup>3</sup> /h	0	300	600	800	900	1000	1100	1200	1300
	HP	kW			A	0	5,0	10,0	13,3	15,0	16,7	18,3	20,0
			0	18		36	48	54	60	66	72	78	
8LR 62/16	90	66	126,0	H[m]	368	344	320	288	264	240	216	192	168
8LR 62/17	90	66	126,0		391	366	340	306	281	255	230	204	179
8LR 62/18	100	75	143,2		414	387	360	324	297	270	243	216	189
8LR 62/19	100	75	143,2		437	409	380	342	314	285	257	228	200
8LR 62/20*	125	92	175,1		460	430	400	360	330	300	270	240	210
8LR 62/21*	125	92	175,1		483	452	420	378	347	315	284	252	221
8LR 62/22*	125	92	175,1		506	473	440	396	363	330	297	264	231
8LR 62/23*	125	92	175,1		529	495	460	414	380	345	311	276	242
8LR 62/24*	125	92	175,1		552	516	480	432	396	360	324	288	252
8LR 62/25 D*	150	110	211,0		575	538	500	450	413	375	338	300	263
8LR 62/26 D*	150	110	211,0		598	559	520	468	429	390	351	312	273
8LR 62/27 D*	150	110	211,0		621	581	540	486	446	405	365	324	284
8LR 62/28 D*	150	110	211,0		644	602	560	504	462	420	378	336	294
8LR 62/29 D*	150	110	211,0		667	624	580	522	479	435	392	348	305
8LR 62/30 D*	175	130	245,3		690	645	600	540	495	450	405	360	315



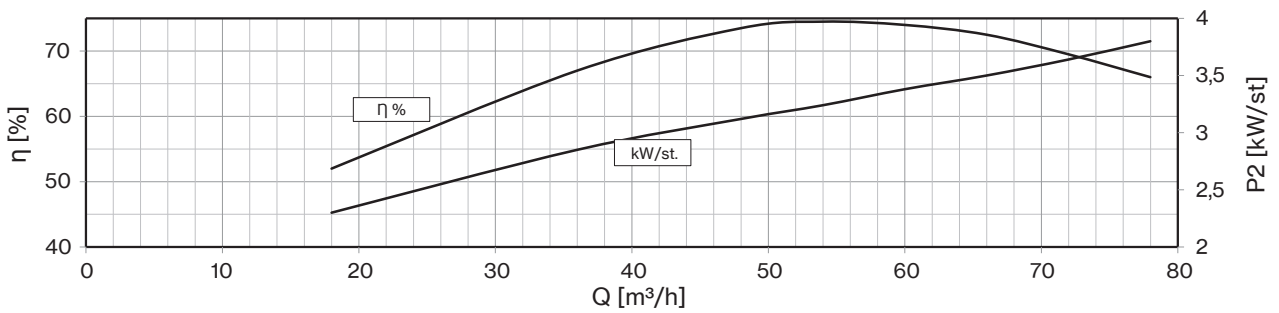
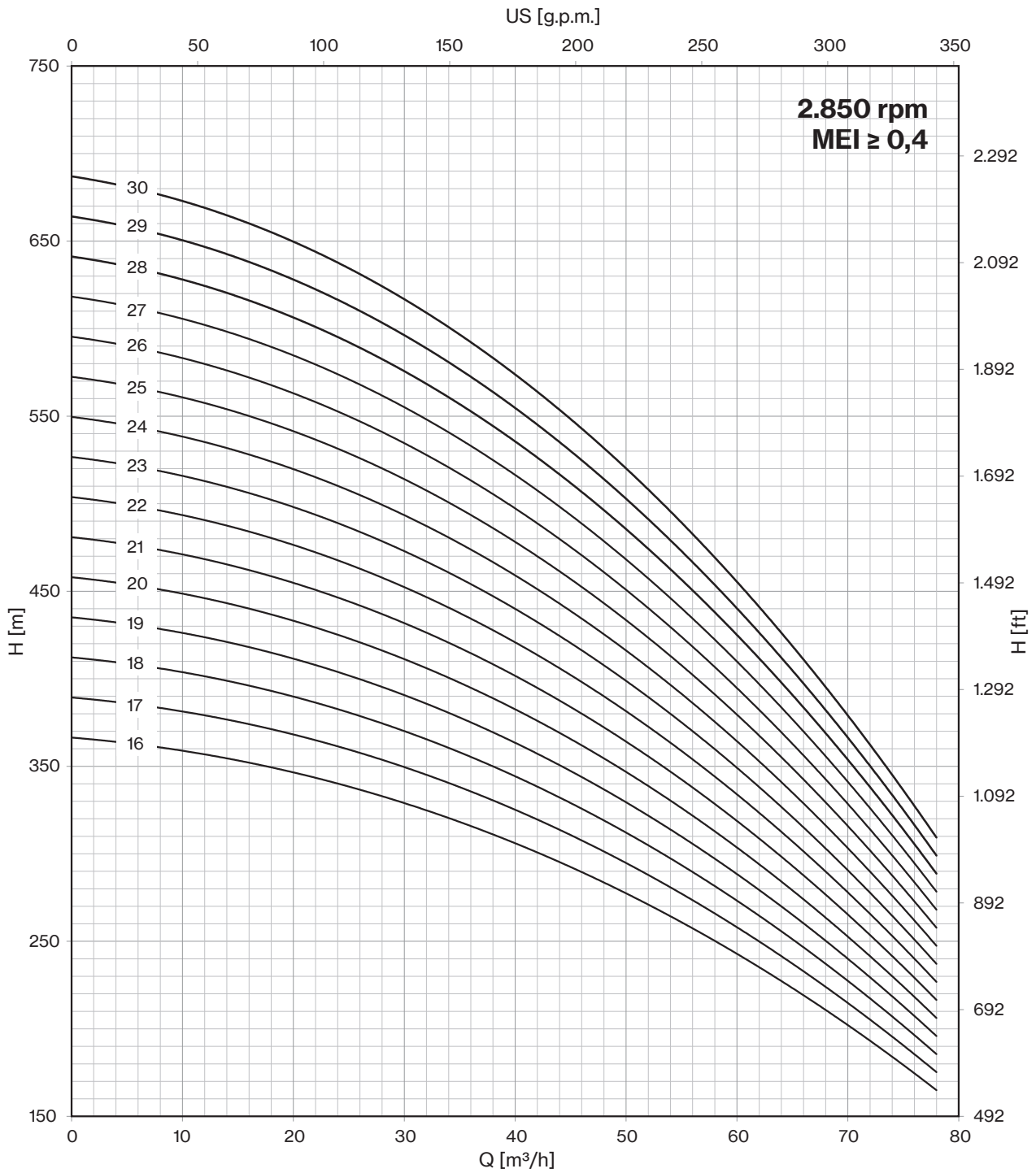
Motor 50 Hz 2900 rpm	DIMENSIONS (mm)			Weight (kg)	
TYPE	A	B	C	M	P
8LR 62/16	3020	1718	1302	214	114
8LR 62/17	3108	1806	1302	214	120
8LR 62/18	3277	1894	1383	230	127
8LR 62/19	3365	1982	1383	230	133
8LR 62/20*	3783	2200	1583	270	145
8LR 62/21*	3871	2288	1583	270	151
8LR 62/22*	3959	2376	1583	270	158
8LR 62/23*	4047	2464	1583	270	164
8LR 62/24*	4135	2552	1583	270	171
8LR 62/25 D*	4373	2640	1733	300	177
8LR 62/26 D*	4461	2728	1733	300	184
8LR 62/27 D*	4549	2816	1733	300	190
8LR 62/28 D*	4637	2904	1733	300	197
8LR 62/29 D*	4725	2992	1733	300	203
8LR 62/30 D*	4714	3080	1634	385	210

Max Eff. % =	74,5
Max kW / St. =	3,8

Q (flow)	25%	50%	75%	100%
NPSH (m)	3,4	3,4	6	8

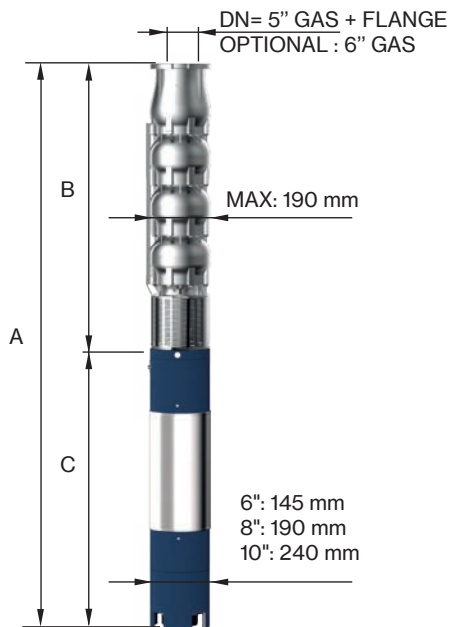
\* Coupled pump shaft  
"D" Pump shaft in Duplex



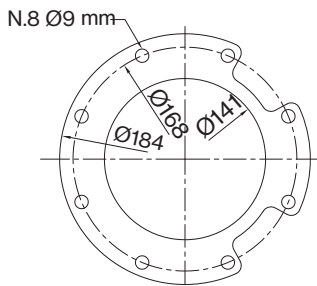


# 8LM 80

Motor 50 Hz - 2900 rpm				Q									
TYPE	Power		400 V	l/min l/sec m <sup>3</sup> /h	0	300	400	600	800	1000	1200	1400	1600
	HP	kW			A	0	5,0	6,7	10,0	13,3	16,7	20,0	23,3
				H[m]	0	18	24	36	48	60	72	84	96
8LM 80/01	10	7,5	16,3	H[m]	27	26	26	24	23	22	20	18	15
8LM 80/02	17,5	13	27,3		54	53	51	49	47	44	40	35	30
8LM 80/03	25	18,5	38,3		81	79	77	73	70	65	60	53	44
8LM 80/04	35	26	52,9		108	105	103	97	93	87	80	70	59
8LM 80/05	40	30	61,1		135	132	129	122	117	109	100	88	74
8LM 80/06	50	37	75,8		162	158	154	146	140	131	120	105	89
8LM 80/07	60	45	86,3		189	184	180	170	163	153	140	123	104
8LM 80/08	75	55	106,2		216	210	206	194	186	174	160	140	118
8LM 80/09	75	55	106,2		243	237	231	219	210	196	180	158	133
8LM 80/10	90	66	126,0		270	263	257	243	233	218	200	175	148



Motor 50 Hz 2900 rpm	DIMENSIONS (mm)			Weight (kg)	
TYPE	A	B	C	M	P
8LM 80/01	1164	463	701	55	19
8LM 80/02	1429	588	841	70	25
8LM 80/03	1704	713	991	83	32
8LM 80/04	2019	838	1181	100	38
8LM 80/05	2214	963	1251	108	45
8LM 80/06	2429	1088	1341	118	51
8LM 80/07	2336	1213	1123	178	58
8LM 80/08	2633	1400	1233	200	65
8LM 80/09	2758	1525	1233	200	71
8LM 80/10	2952	1650	1302	214	78



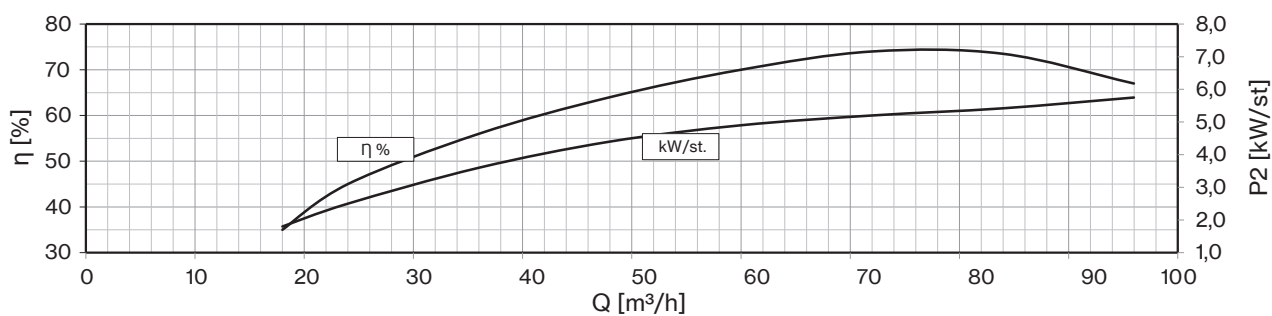
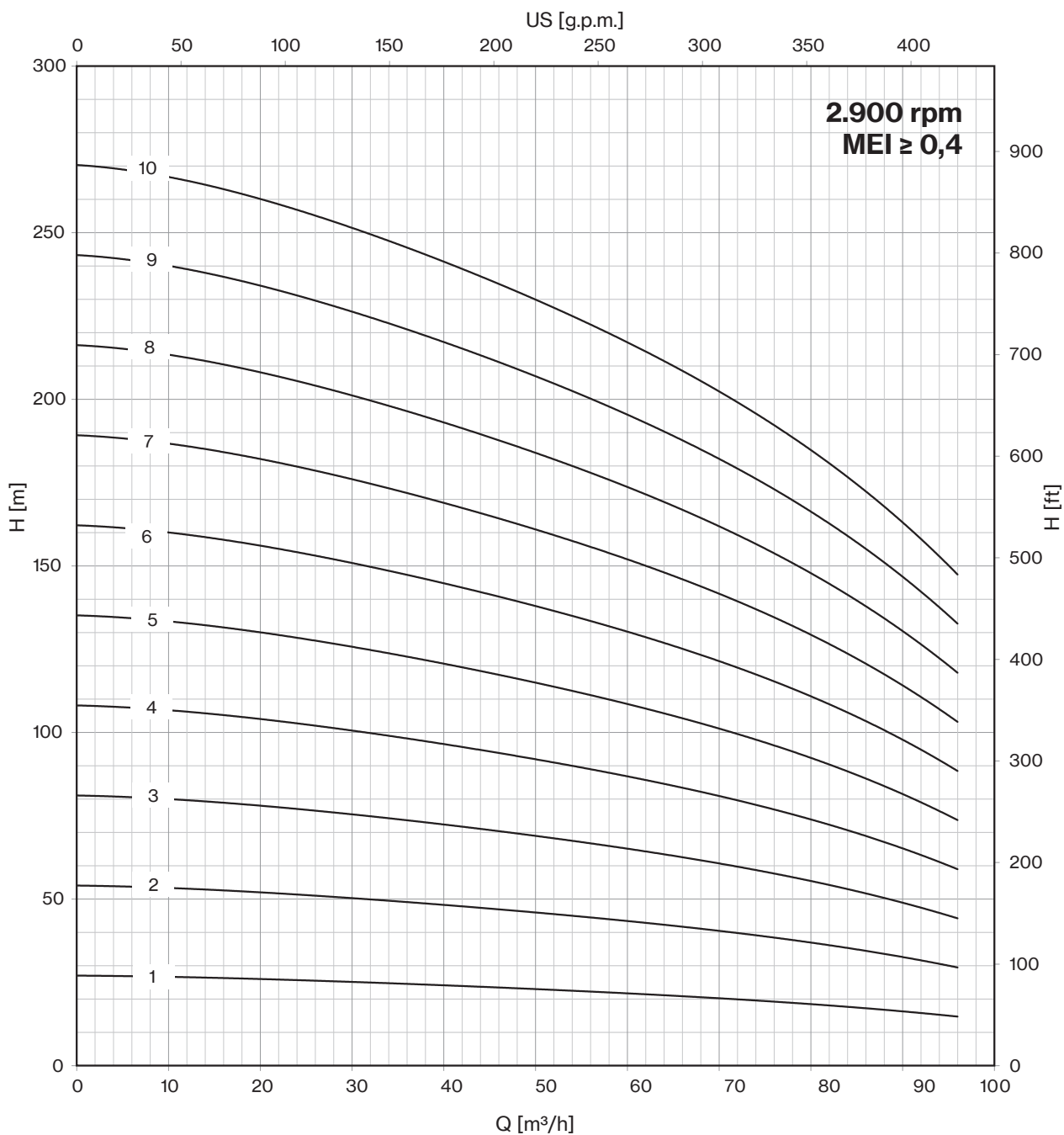
FOR COMMERCIAL TUBE  
EXTERNAL DIAMETER: 139,7 mm

Max Eff. % =	74
Max kW / St. =	5,75

Q (flow)	25%	50%	75%	100%
NPSH (m)	3	3	3,5	4,5

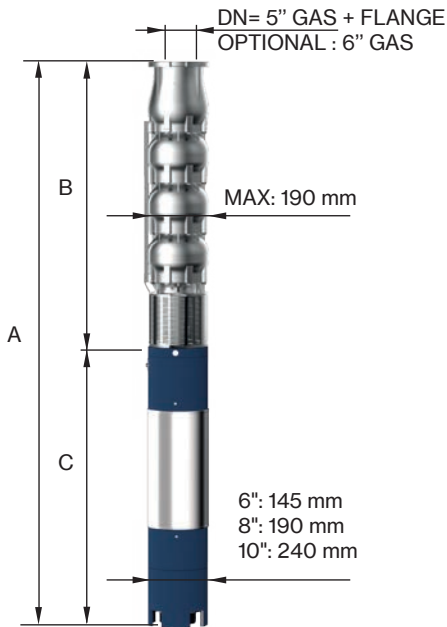




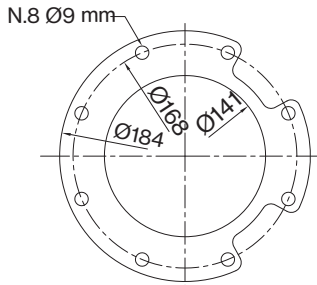


# 8LM 80

Motor 50 Hz - 2900 rpm				Q									
TYPE	Power		400 V	l/min l/sec m <sup>3</sup> /h	0	300	400	600	800	1000	1200	1400	1600
	HP	kW			A	0	5,0	6,7	10,0	13,3	16,7	20,0	23,3
				H[m]	0	18	24	36	48	60	72	84	96
8LM 80/11	90	66	126,0	H[m]	297	289	283	267	256	240	220	193	163
8LM 80/12	100	75	143,2		324	316	308	292	280	262	240	210	178
8LM 80/13	100	75	143,2		351	342	334	316	303	283	260	228	192
8LM 80/14	125	92	175,1		378	368	360	340	326	305	280	245	207
8LM 80/15	125	92	175,1		405	395	386	365	350	327	300	263	222
8LM 80/16	125	92	175,1		432	421	411	389	373	349	320	280	237
8LM 80/17 D	150	110	211,0		459	447	437	413	396	371	340	298	252
8LM 80/18 D	150	110	211,0		486	473	463	437	419	392	360	315	266
8LM 80/19 D	150	110	211,0		513	500	488	462	443	414	380	333	281
8LM 80/20 D	175	130	245,3		540	526	514	486	466	436	400	350	296



Motor 50 Hz 2900 rpm	DIMENSIONS (mm)			Weight (kg)	
	TYPE	A	B	C	M
8LM 80/11	3077	1775	1302	214	84
8LM 80/12	3283	1900	1383	230	90
8LM 80/13	3408	2025	1383	230	97
8LM 80/14	3733	2150	1583	270	103
8LM 80/15	3858	2275	1583	270	110
8LM 80/16	3983	2400	1583	270	116
8LM 80/17 D	4258	2525	1733	300	123
8LM 80/18 D	4383	2650	1733	300	129
8LM 80/19 D	4508	2775	1733	300	136
8LM 80/20 D	4534	2900	1634	385	142



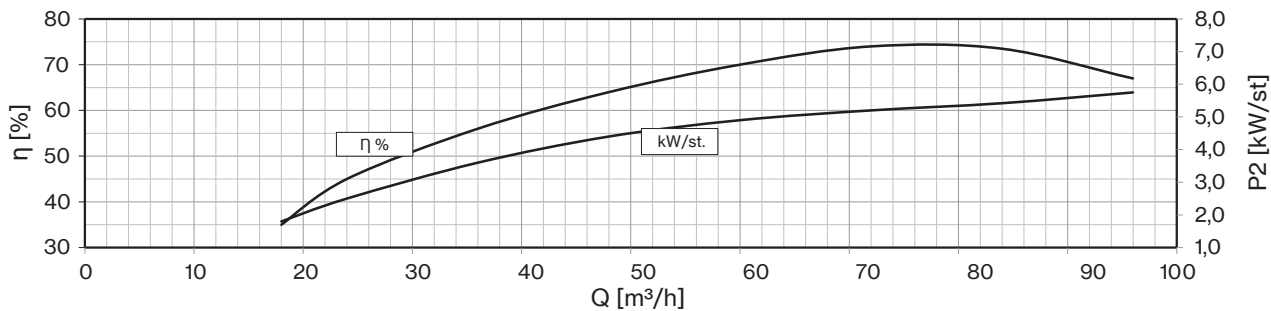
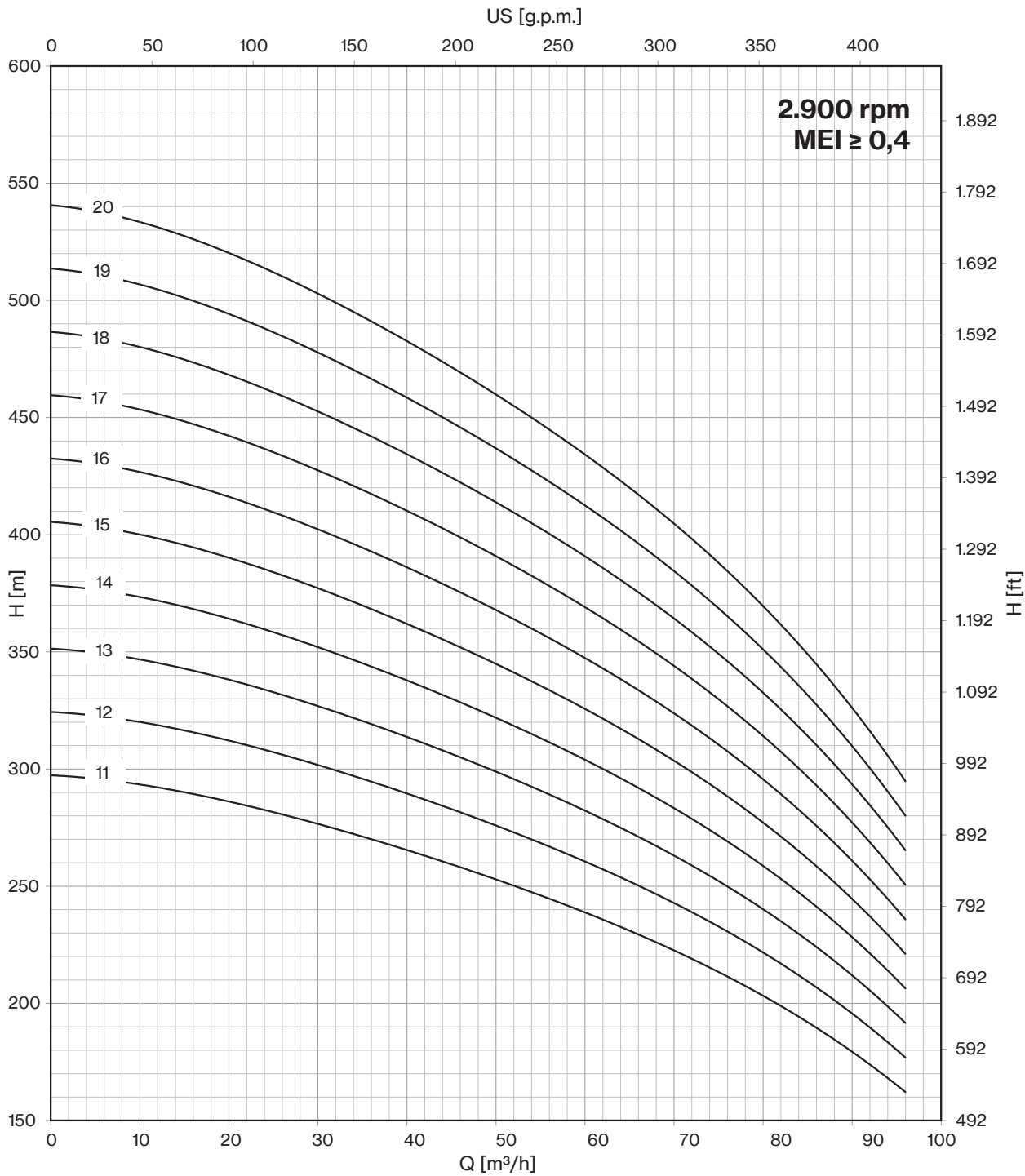
FOR COMMERCIAL TUBE  
EXTERNAL DIAMETER: 139,7 mm

Max Eff. % =	74
Max kW / St. =	5,75

Q (flow)	25%	50%	75%	100%
NPSH (m)	3	3	3,5	4,5

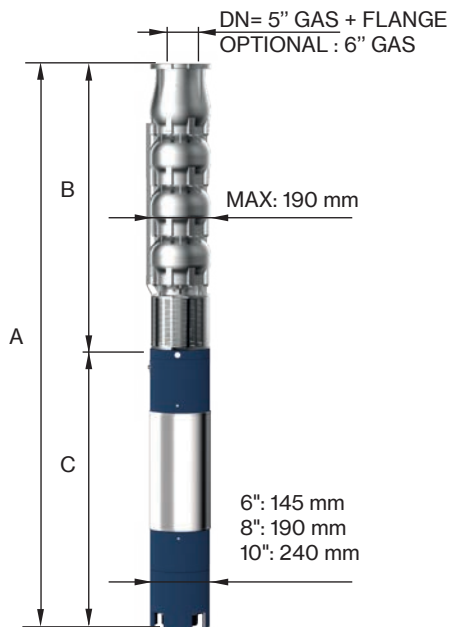
"D" Pump shaft in Duplex



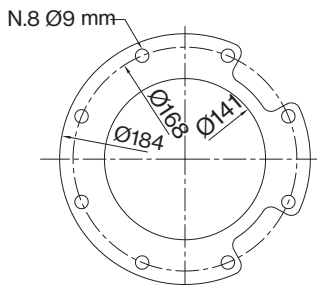


# 8LM 92

Motor 50 Hz - 2900 rpm				Q									
TYPE	Power		400 V	l/min l/sec m <sup>3</sup> /h	0	300	800	1000	1200	1400	1600	1800	2000
	HP	kW			A	0	5,0	13,3	16,7	20,0	23,3	26,7	30,0
				H[m]	0	18	48	60	72	84	96	108	120
8LM 92/01	10	7,5	16,3	H[m]	27	26	24	23	22	20	18	16	13
8LM 92/02	17,5	13	27,3		54	53	49	47	44	40	36	31	25
8LM 92/03	30	22	45,1		81	79	73	70	65	60	54	47	38
8LM 92/04	35	26	52,9		108	105	97	93	87	80	72	62	50
8LM 92/05	50	37	75,8		135	132	122	117	109	101	90	78	63
8LM 92/06	60	45	86,3		162	158	146	140	131	121	107	93	76
8LM 92/07	75	55	106,2		189	184	170	163	153	141	125	109	88
8LM 92/08	75	55	106,2		216	210	194	186	174	161	143	124	101
8LM 92/09	90	66	126,0		243	237	219	210	196	181	161	140	113
8LM 92/10	90	66	126,0		270	263	243	233	218	201	179	155	126



Motor 50 Hz 2900 rpm	DIMENSIONS (mm)			Weight (kg)	
TYPE	A	B	C	M	P
8LM 92/01	1164	463	701	55	19
8LM 92/02	1429	588	841	70	26
8LM 92/03	1784	713	1071	92	32
8LM 92/04	2019	838	1181	100	39
8LM 92/05	2304	963	1341	118	46
8LM 92/06	2211	1088	1123	178	53
8LM 92/07	2508	1275	1233	200	60
8LM 92/08	2633	1400	1233	200	67
8LM 92/09	2827	1525	1302	214	74
8LM 92/10	2952	1650	1302	214	81

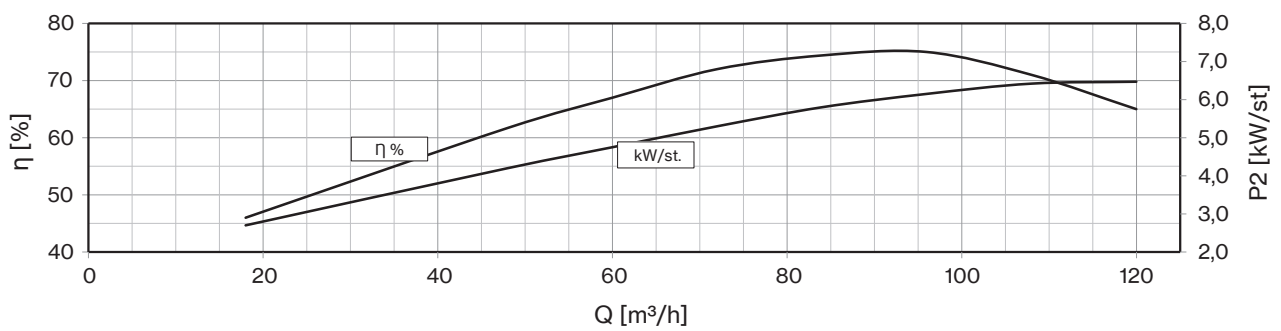
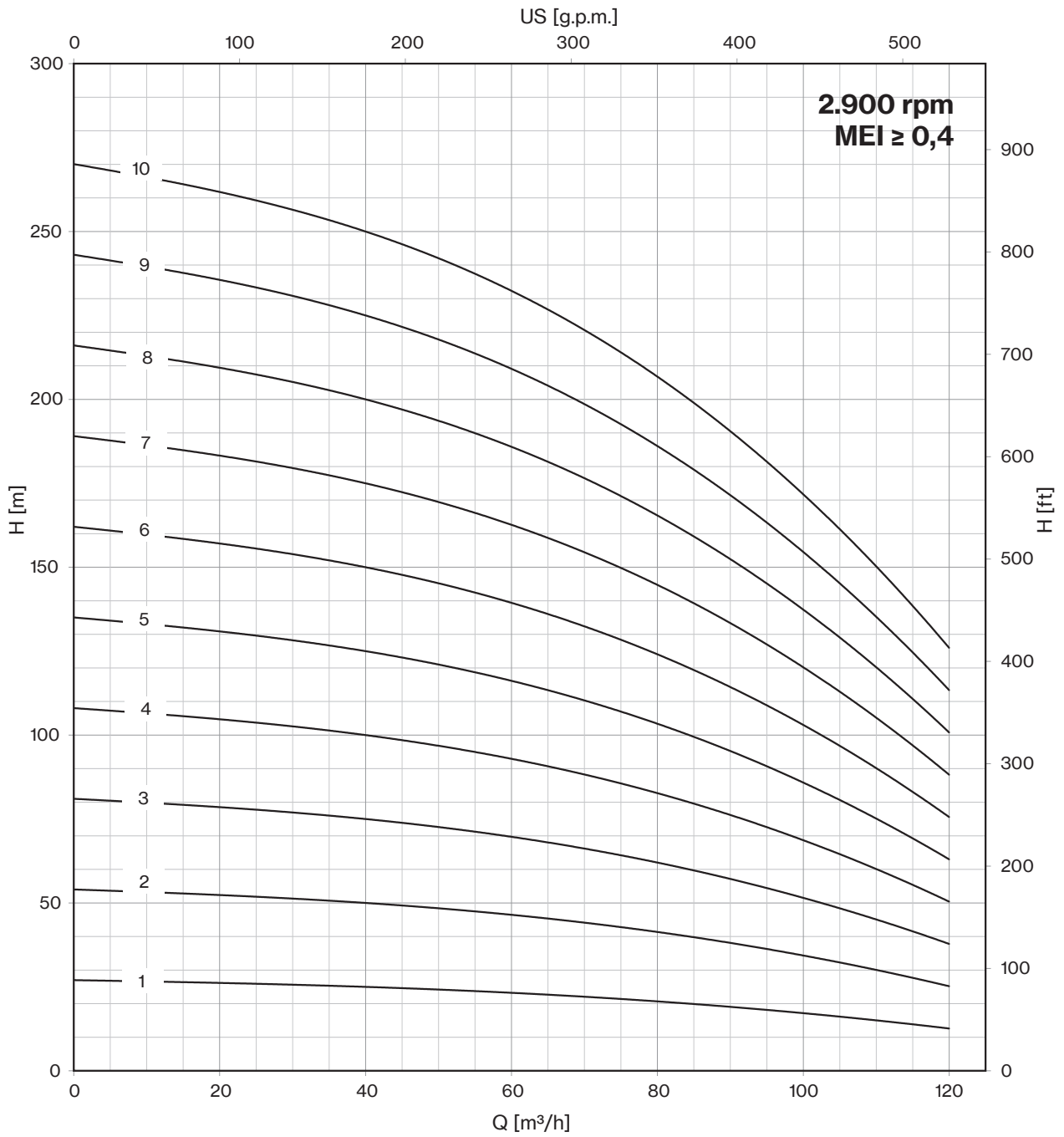


FOR COMMERCIAL TUBE  
EXTERNAL DIAMETER: 139,7 mm

Max Eff. % =	75
Max kW / St. =	6,47

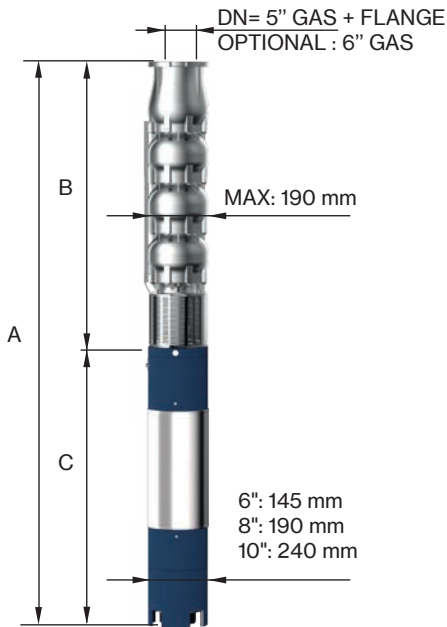
Q (flow)	25%	50%	75%	100%
NPSH (m)	2,5	2,9	3,9	7,8



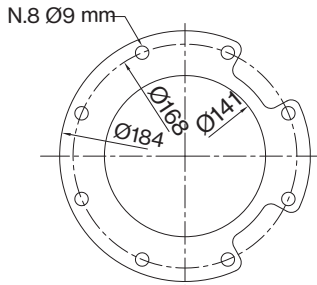


# 8LM 92

Motor 50 Hz - 2900 rpm				Q									
TYPE	Power		400 V	l/min l/sec m <sup>3</sup> /h	0	300	800	1000	1200	1400	1600	1800	2000
	HP	kW			0	5,0	13,3	16,7	20,0	23,3	26,7	30,0	33,3
	A		0	18	48	60	72	84	96	108	120		
8LM 92/11	100	75	143,2	H[m]	297	289	267	256	240	221	197	171	139
8LM 92/12	125	92	175,1		324	316	292	280	262	241	215	186	151
8LM 92/13	125	92	175,1		351	342	316	303	283	261	233	202	164
8LM 92/14	125	92	175,1		378	368	340	326	305	281	251	217	176
8LM 92/15 D	150	110	211,0		405	395	365	350	327	302	269	233	189
8LM 92/16 D	150	110	211,0		432	421	389	373	349	322	286	248	202
8LM 92/17 D	150	110	211,0		459	447	413	396	371	342	304	264	214
8LM 92/18 D	175	130	245,3		486	473	437	419	392	362	322	279	227
8LM 92/19 D	175	130	245,3		513	500	462	443	414	382	340	295	239
8LM 92/20 D	175	130	245,3		540	526	486	466	436	402	358	310	252



Motor 50 Hz 2900 rpm	DIMENSIONS (mm)			Weight (kg)	
	TYPE	A	B	C	M
8LM 92/11	3158	1775	1383	230	88
8LM 92/12	3483	1900	1583	270	94
8LM 92/13	3608	2025	1583	270	101
8LM 92/14	3733	2150	1583	270	108
8LM 92/15 D	4008	2275	1733	300	115
8LM 92/16 D	4133	2400	1733	300	122
8LM 92/17 D	4258	2525	1733	300	128
8LM 92/18 D	4284	2650	1634	385	138
8LM 92/19 D	4409	2775	1634	385	145
8LM 92/20 D	4534	2900	1634	385	152



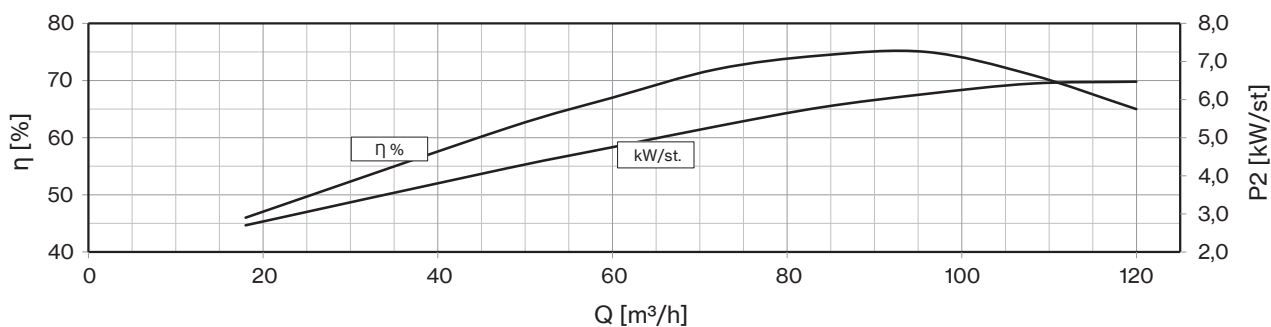
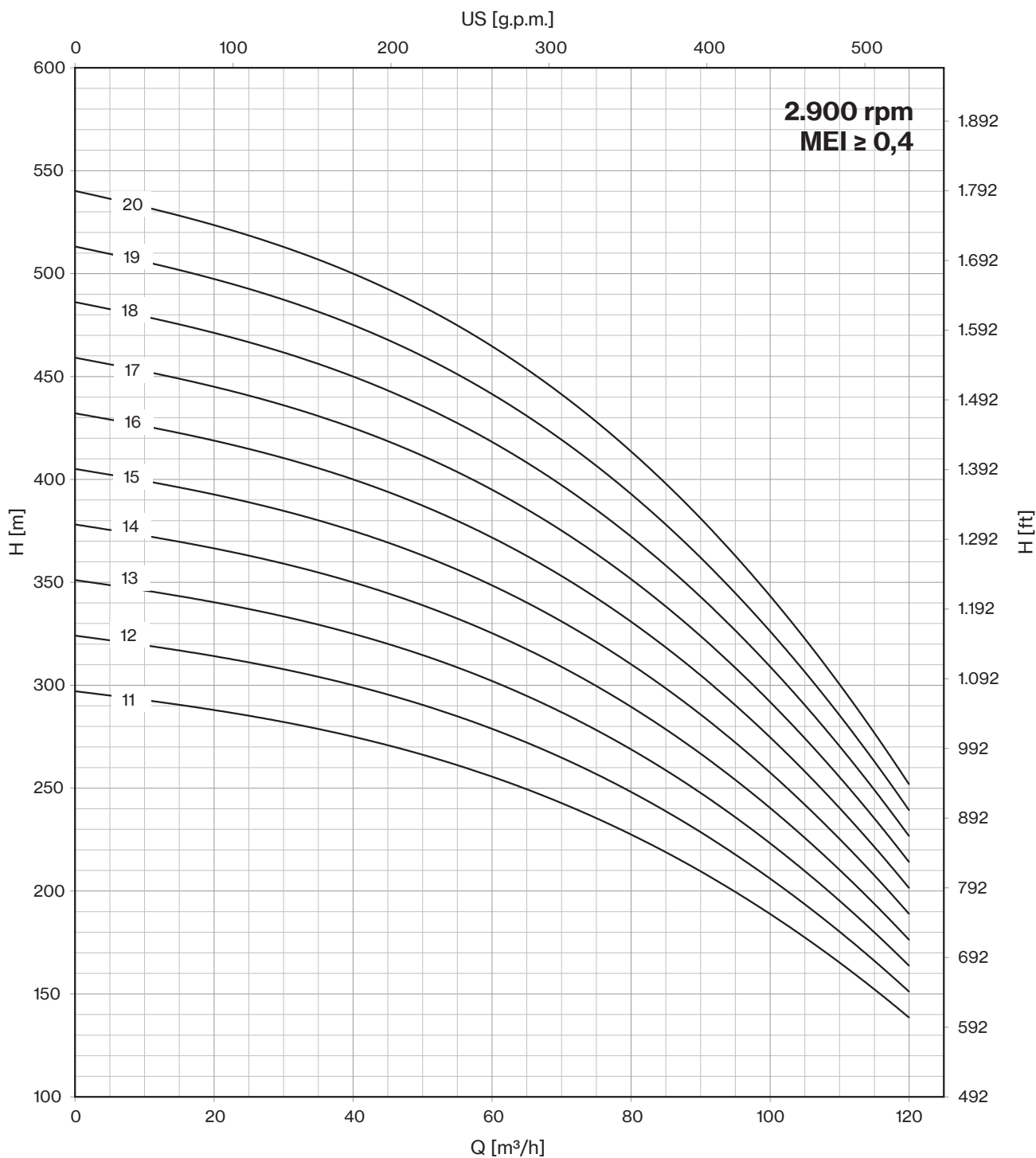
FOR COMMERCIAL TUBE  
EXTERNAL DIAMETER: 139,7 mm

Max Eff. % =	75
Max kW / St. =	6,5

Q (flow)	25%	50%	75%	100%
NPSH (m)	2,5	2,9	3,9	7,8

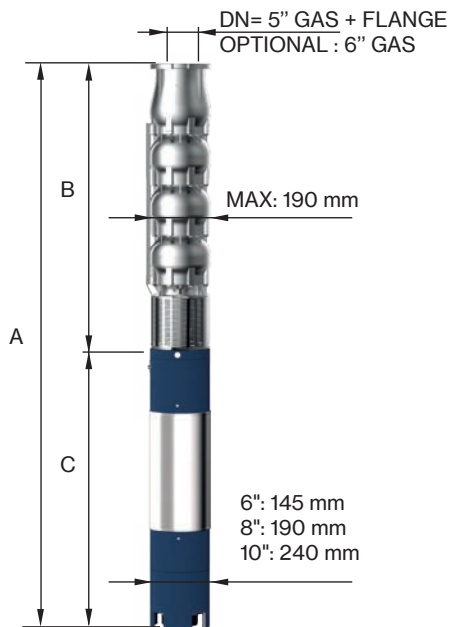
"D" Pump shaft in Duplex



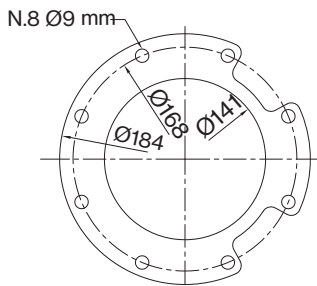


# 8LM 110

Motor 50 Hz - 2900 rpm				Q									
TYPE	Power		400 V	l/min l/sec m <sup>3</sup> /h	0	600	1200	1400	1600	1800	2000	2200	2400
	HP	kW			A	0	10,0	20,0	23,3	26,7	30,0	33,3	36,7
				H[m]	0	36	72	84	96	108	120	132	144
8LM 110/01	10	7,5	16,3		28	25	22	21	20	19	17	15	13
8LM 110/02	20	15	31,5		55	51	44	42	41	38	35	31	26
8LM 110/03	30	22	45,1		83	76	65	63	61	57	52	46	38
8LM 110/04	40	30	61,1		110	101	87	84	82	76	69	62	51
8LM 110/05	50	37	75,8		138	127	109	106	102	96	87	77	64
8LM 110/06	60	45	86,3		165	152	131	127	122	115	104	92	77
8LM 110/07	75	55	106,2		193	177	153	148	143	134	121	108	90



Motor 50 Hz 2900 rpm	DIMENSIONS (mm)			Weight (kg)	
TYPE	A	B	C	M	P
8LM 110/01	1164	463	701	55	19
8LM 110/02	1519	588	931	75	26
8LM 110/03	1784	713	1071	92	32
8LM 110/04	2089	838	1251	108	39
8LM 110/05	2304	963	1341	118	46
8LM 110/06	2273	1150	1123	178	54
8LM 110/07	2508	1275	1233	200	60



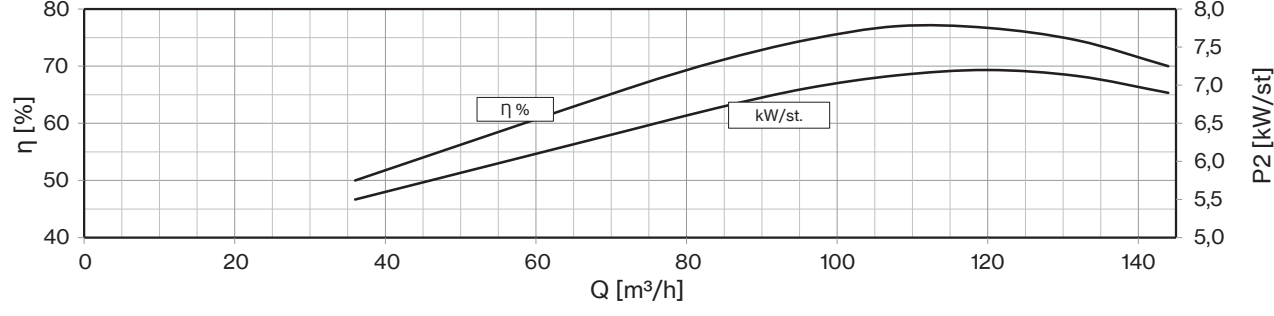
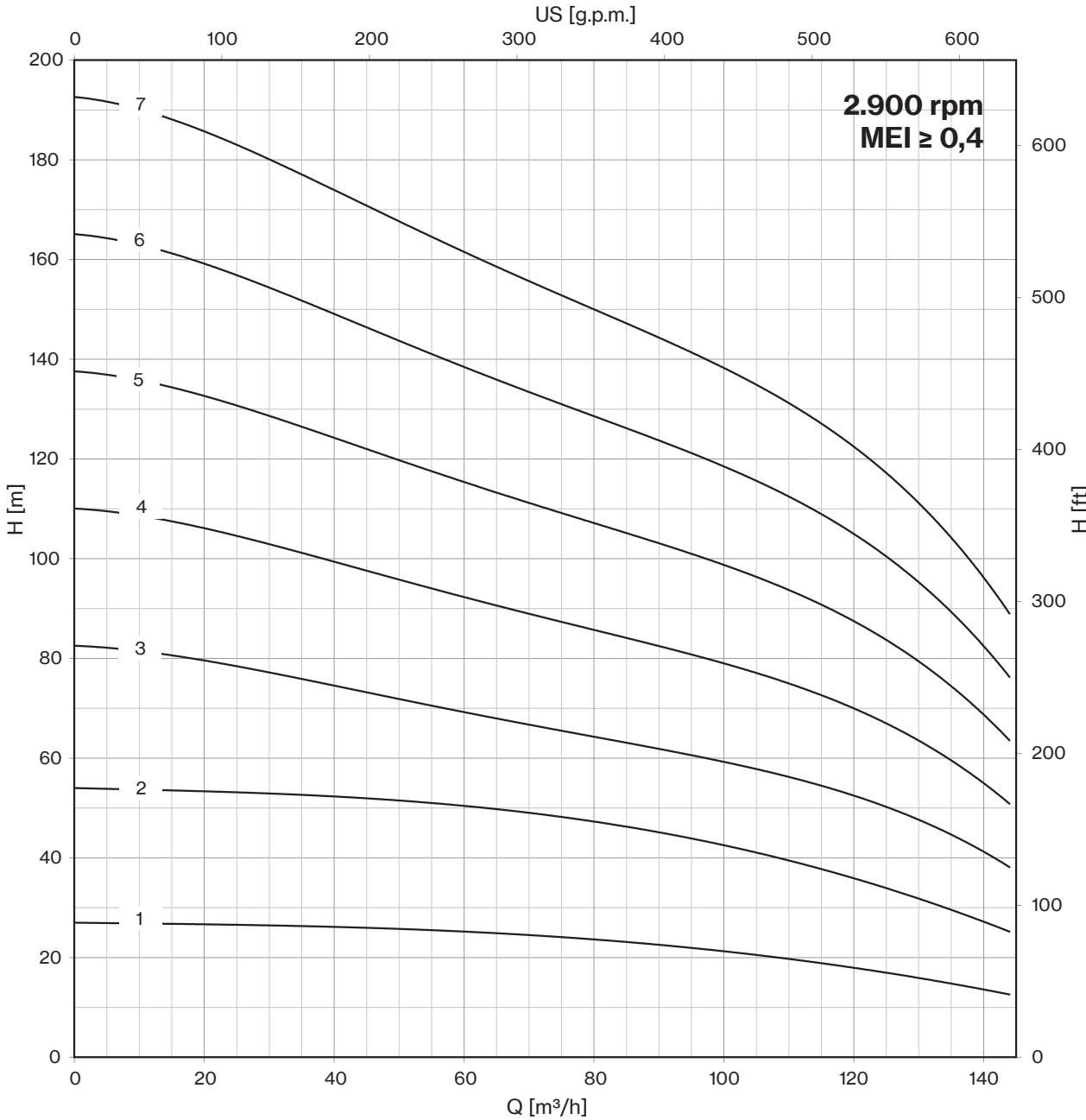
FOR COMMERCIAL TUBE  
EXTERNAL DIAMETER: 139,7 mm

Max Eff. % =	77
Max kW / St. =	7,2

Q (flow)	25%	50%	75%	100%
NPSH (m)	2,5	2,9	3,9	7,8

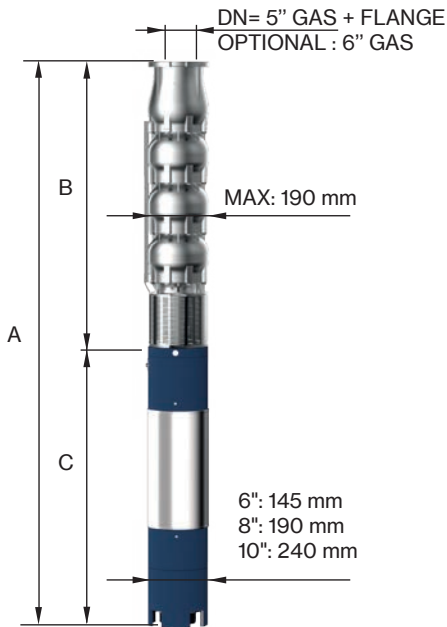




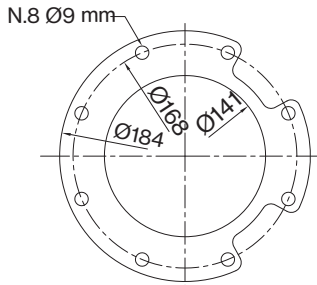


# 8LM 110

Motor 50 Hz - 2900 rpm				Q									
TYPE	Power		400 V	l/min	0	600	1200	1400	1600	1800	2000	2200	2400
	HP	kW	A	l/sec	0	10,0	20,0	23,3	26,7	30,0	33,3	36,7	40,0
				m <sup>3</sup> /h	0	36	72	84	96	108	120	132	144
8LM 110/08	90	66	126,0	H[m]	220	202	174	169	163	153	138	123	102
8LM 110/09	90	66	126,0		248	228	196	190	184	172	156	139	115
8LM 110/10	100	75	143,2		275	253	218	211	204	191	173	154	128
8LM 110/11	125	92	175,1		303	278	240	232	224	210	190	169	141
8LM 110/12	125	92	175,1		330	304	262	253	245	229	208	185	154
8LM 110/13 D	150	110	211,0		358	329	283	274	265	248	225	200	166
8LM 110/14 D	150	110	211,0		385	354	305	295	286	267	242	216	179
8LM 110/15 D	150	110	211,0		413	380	327	317	306	287	260	231	192
8LM 110/16 D	175	130	245,3		440	405	349	338	326	306	277	246	205
8LM 110/17 D	175	130	245,3		468	430	371	359	347	325	294	262	218
8LM 110/18 D	175	130	245,3	495	455	392	380	367	344	311	277	230	



Motor 50 Hz 2900 rpm	DIMENSIONS (mm)			Weight (kg)	
	TYPE	A	B	C	M
8LM 110/08	2702	1400	1302	214	67
8LM 110/09	2827	1525	1302	214	74
8LM 110/10	3033	1650	1383	230	81
8LM 110/11	3358	1775	1583	270	88
8LM 110/12	3483	1900	1583	270	94
8LM 110/13 D	3758	2025	1733	300	101
8LM 110/14 D	3883	2150	1733	300	108
8LM 110/15 D	4008	2275	1733	300	115
8LM 110/16 D	4034	2400	1634	385	125
8LM 110/17 D	4159	2525	1634	385	132
8LM 110/18 D	4284	2650	1634	385	138



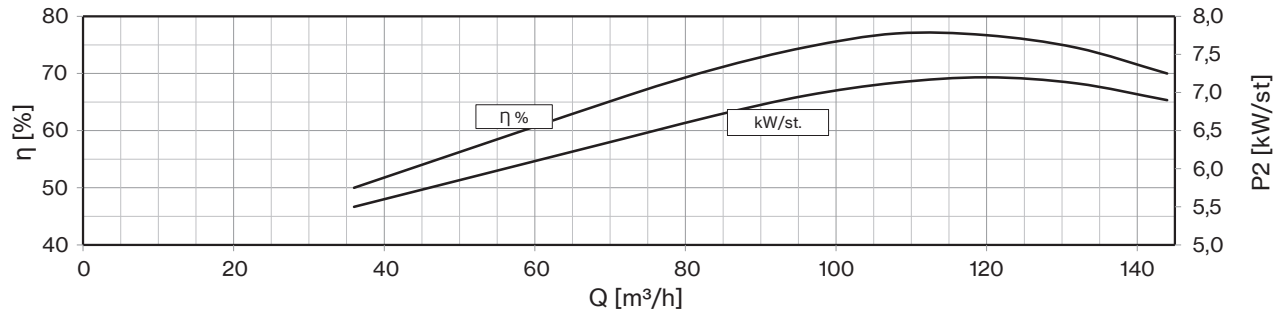
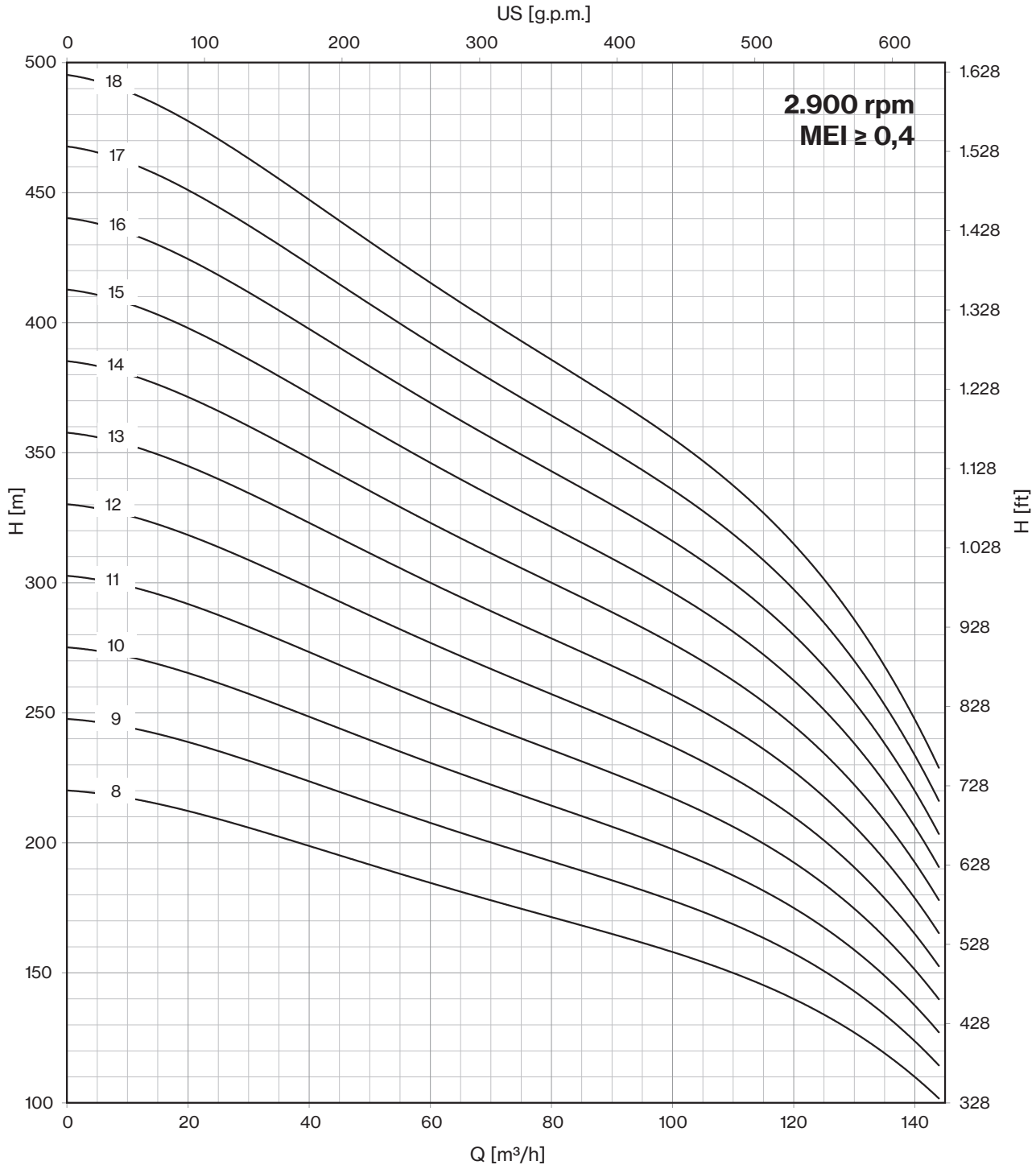
FOR COMMERCIAL TUBE  
EXTERNAL DIAMETER: 139,7 mm

Max Eff. % =	77
Max kW / St. =	7,2

Q (flow)	25%	50%	75%	100%
NPSH (m)	2,5	2,9	3,9	7,8

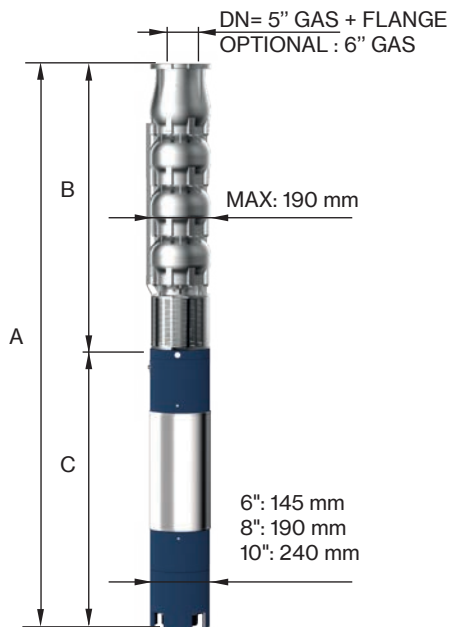
"D" Pump shaft in Duplex



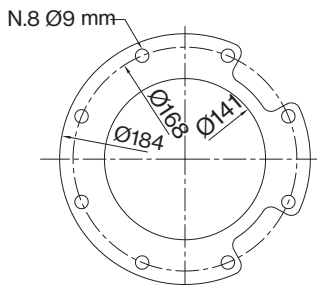


# 8LM 130

Motor 50 Hz - 2900 rpm				Q									
TYPE	Power		400 V	l/min	0	600	1600	1800	2000	2200	2400	2600	2800
	HP	kW	A	l/sec	0	10,0	26,7	30,0	33,3	36,7	40,0	43,3	46,7
				m <sup>3</sup> /h	0	36	96	108	120	132	144	156	168
8LM 130/01	12,5	9,2	19,9	H[m]	27	25	21	20	19	18	16	15	12
8LM 130/02	25	18,5	38,3		54	49	41	40	38	36	33	29	24
8LM 130/03	35	26	52,9		81	74	62	59	57	54	49	44	36
8LM 130/04	50	37	75,8		108	98	83	79	76	72	66	58	48
8LM 130/05	60	45	86,3		135	123	104	99	95	90	82	73	60
8LM 130/06	75	55	106,2		162	147	124	119	114	108	98	87	72
8LM 130/07	90	66	126,0		189	172	145	139	133	126	115	102	84
8LM 130/08	100	75	143,2		216	196	166	158	152	144	131	116	96



Motor 50 Hz 2900 rpm	DIMENSIONS (mm)			Weight (kg)	
TYPE	A	B	C	M	P
8LM 130/01	1214	463	751	60	19
8LM 130/02	1579	588	991	83	26
8LM 130/03	1894	713	1181	100	33
8LM 130/04	2179	838	1341	118	40
8LM 130/05	2148	1025	1123	178	48
8LM 130/06	2383	1150	1233	200	55
8LM 130/07	2577	1275	1302	214	62
8LM 130/08	2783	1400	1383	230	69

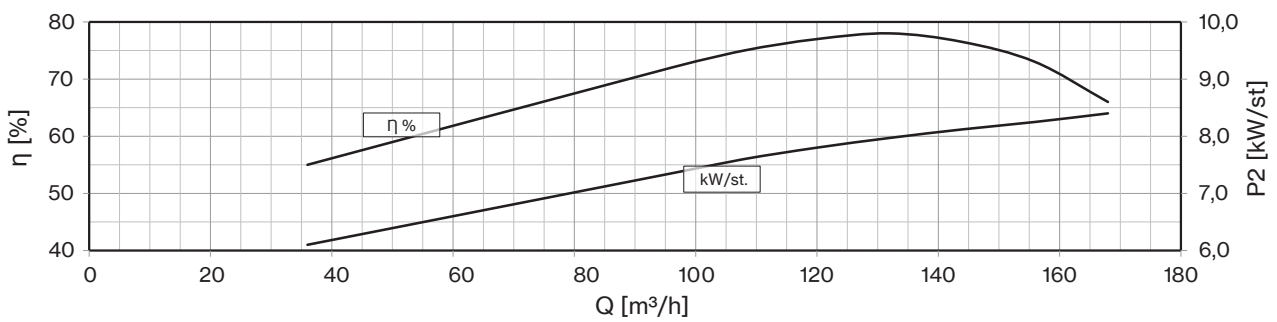
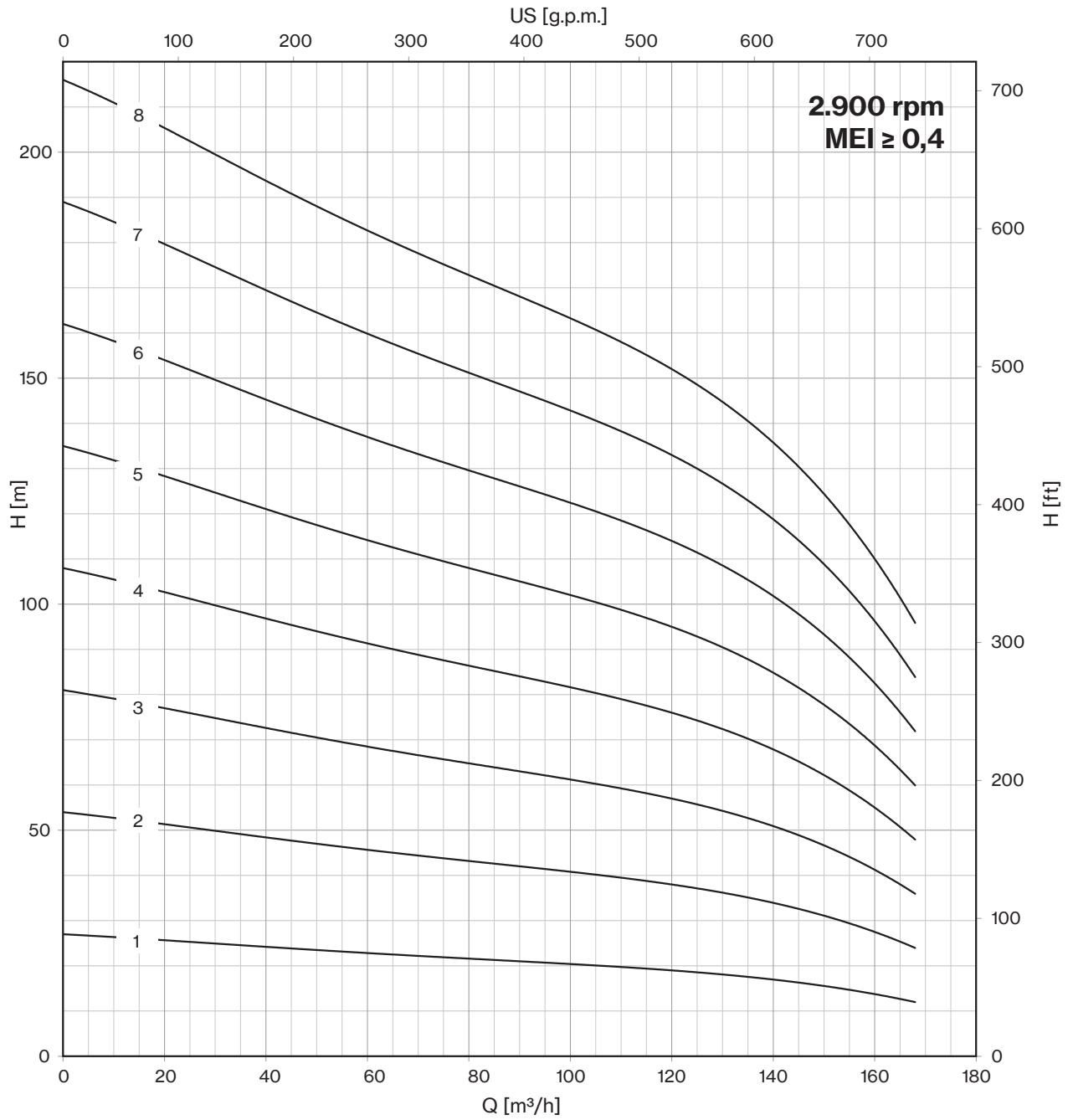


FOR COMMERCIAL TUBE  
EXTERNAL DIAMETER: 139,7 mm

Max Eff. % =	78
Max kW / St. =	8,4

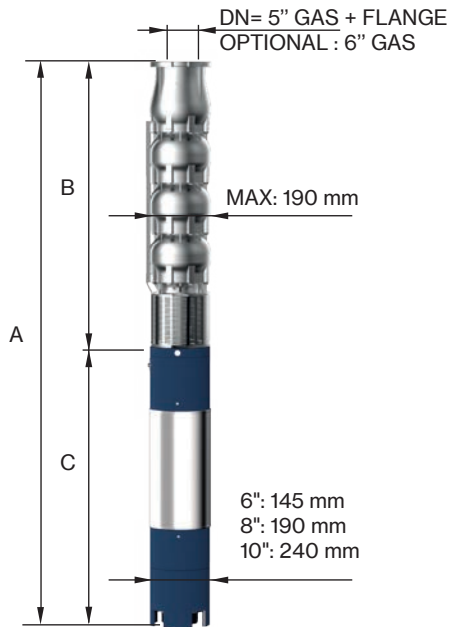
Q (flow)	25%	50%	75%	100%
NPSH (m)	2,5	3	3,5	8,7



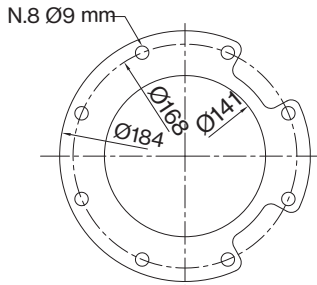


# 8LM 130

Motor 50 Hz - 2900 rpm				Q									
TYPE	Power		400 V	l/min l/sec m <sup>3</sup> /h	0	600	1600	1800	2000	2200	2400	2600	2800
	HP	kW			A	0	10,0	26,7	30,0	33,3	36,7	40,0	43,3
				H[m]	0	36	96	108	120	132	144	156	168
8LM 130/09	125	92	175,1	H[m]	243	221	186	178	171	162	148	131	108
8LM 130/10	125	92	175,1		270	245	207	198	190	180	164	145	120
8LM 130/11	150	110	211,0		297	270	228	218	209	198	180	160	132
8LM 130/12 D	150	110	211,0		324	294	248	238	228	216	197	174	144
8LM 130/13 D	150	110	211,0		351	319	269	257	247	234	213	189	156
8LM 130/14 D	175	130	245,3		378	343	290	277	266	252	230	203	168
8LM 130/15 D	175	130	245,3		405	368	311	297	285	270	246	218	180
8LM 130/16 D	200	150	277,2		432	392	331	317	304	288	262	232	192
8LM 130/17 D	200	150	277,2		459	417	352	337	323	306	279	247	204
8LM 130/18 D	225	165	313,3		486	441	373	356	342	324	295	261	216



Motor 50 Hz 2900 rpm	DIMENSIONS (mm)			Weight (kg)	
	TYPE	A	B	C	M
8LM 130/09	3108	1525	1583	270	76
8LM 130/10	3233	1650	1583	270	83
8LM 130/11	3508	1775	1733	300	90
8LM 130/12 D	3633	1900	1733	300	97
8LM 130/13 D	3758	2025	1733	300	104
8LM 130/14 D	3784	2150	1634	385	114
8LM 130/15 D	3909	2275	1634	385	121
8LM 130/16 D	4134	2400	1734	415	128
8LM 130/17 D	4259	2525	1734	415	135
8LM 130/18 D	4504	2650	1854	444	142



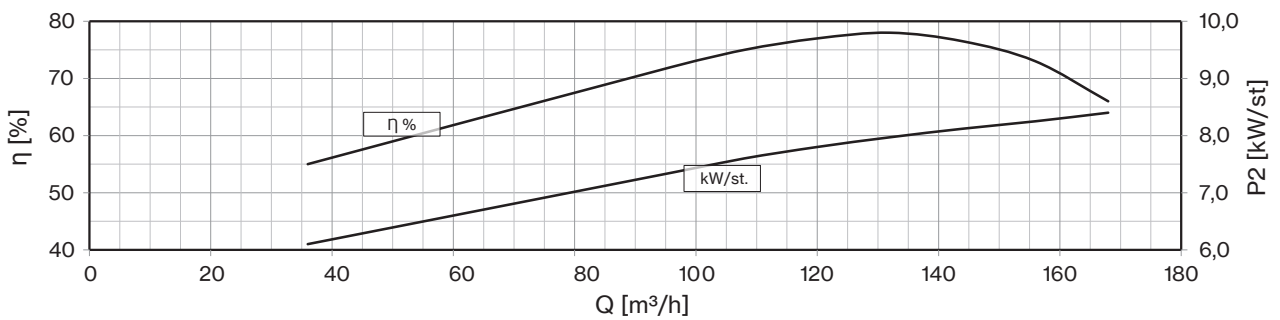
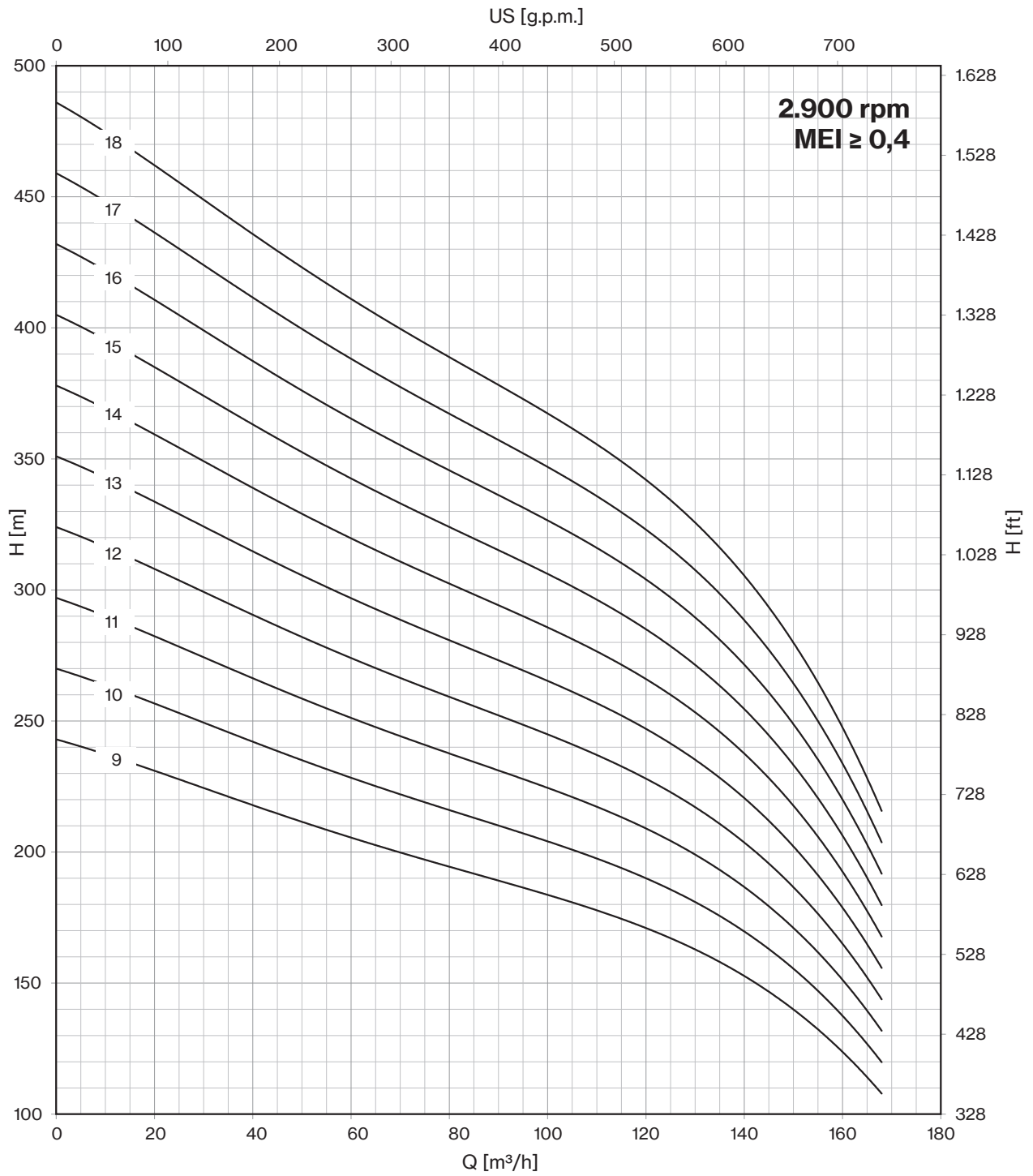
FOR COMMERCIAL TUBE  
EXTERNAL DIAMETER: 139,7 mm

Max Eff. % =	78
Max kW / St. =	8,4

Q (flow)	25%	50%	75%	100%
NPSH (m)	2,5	3	3,5	8,7

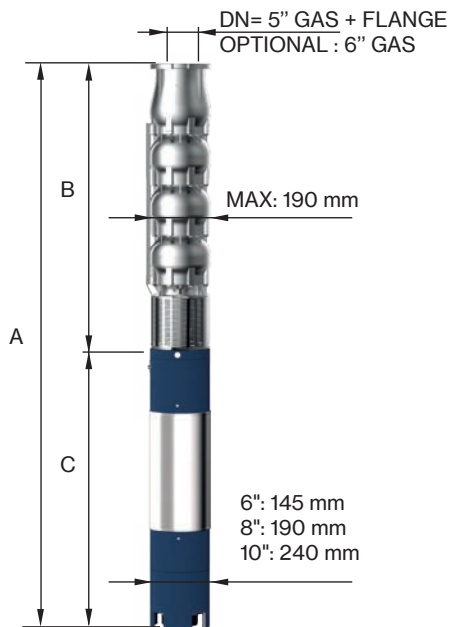
"D" Pump shaft in Duplex



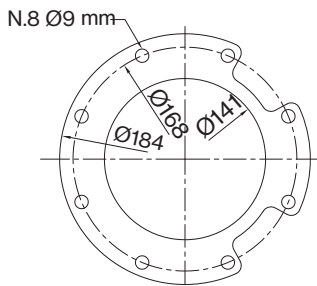


# 8LM 160

Motor 50 Hz - 2900 rpm				Q									
TYPE	Power		400 V	l/min	0	600	2000	2200	2400	2600	2800	3000	3200
	HP	kW	A	l/sec	0	10,0	33,3	36,7	40,0	43,3	46,7	50,0	53,3
				m <sup>3</sup> /h	0	36	120	132	144	156	168	180	192
8LM 160/01	15	11	23,4	H[m]	25	24	19	18	17	17	16	14	12
8LM 160/02	30	22	45,1		50	48	38	36	35	33	31	28	24
8LM 160/03	40	30	61,1		75	71	56	54	52	50	47	41	36
8LM 160/04	60	45	86,3		100	95	75	72	70	66	62	55	48
8LM 160/05	75	55	106,2		125	119	94	91	87	83	78	69	60
8LM 160/06	90	66	126,0		150	143	113	109	104	100	93	83	72
8LM 160/07	90	66	126,0		175	167	132	127	122	116	109	97	84
8LM 160/08	125	92	175,1		200	190	150	145	139	133	124	110	96



Motor 50 Hz 2900 rpm	DIMENSIONS (mm)			Weight (kg)	
TYPE	A	B	C	M	P
8LM 160/01	1299	488	811	65	20
8LM 160/02	1709	638	1071	92	27
8LM 160/03	2039	788	1251	108	35
8LM 160/04	2061	938	1123	178	42
8LM 160/05	2383	1150	1233	200	50
8LM 160/06	2602	1300	1302	214	58
8LM 160/07	2752	1450	1302	214	65
8LM 160/08	3183	1600	1583	270	73



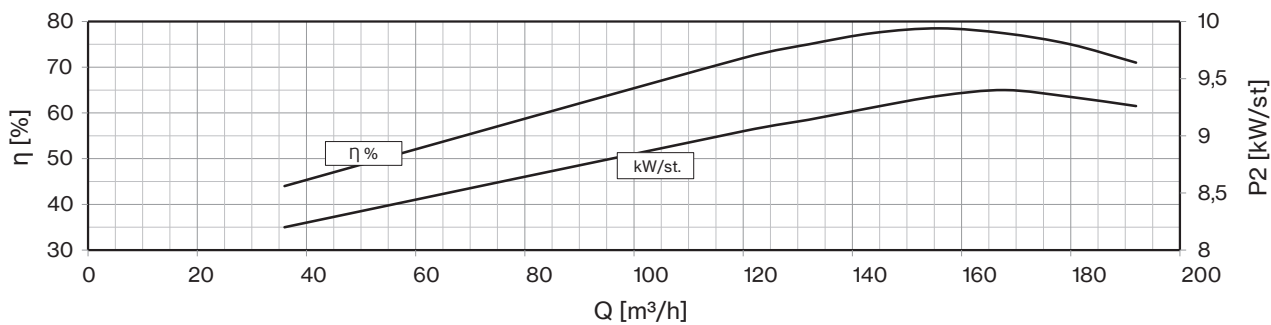
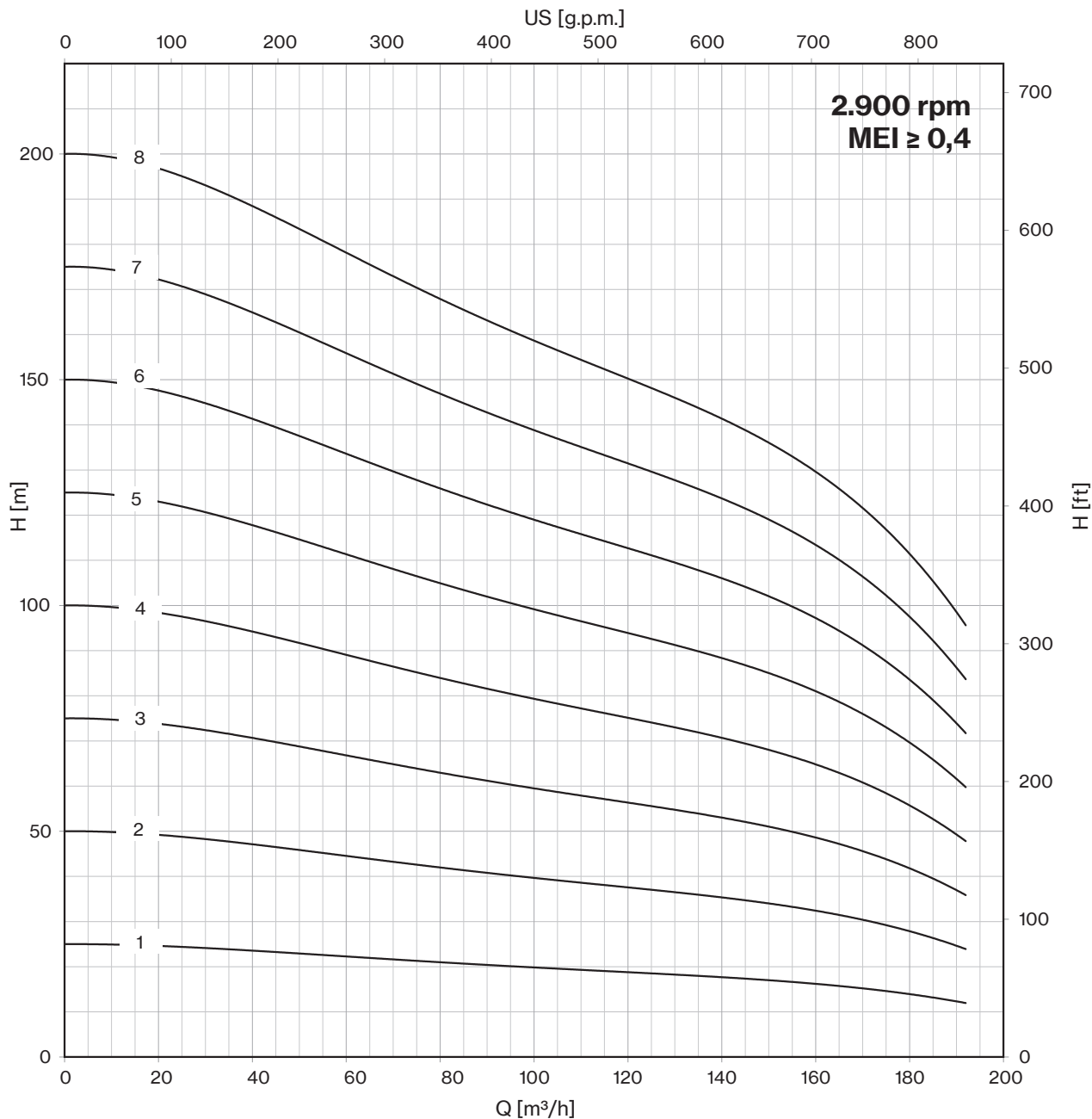
FOR COMMERCIAL TUBE  
EXTERNAL DIAMETER: 139,7 mm

Max Eff. % =	78,5
Max kW / St. =	9,4

Q (flow)	25%	50%	75%	100%
NPSH (m)	4	4,5	7	13

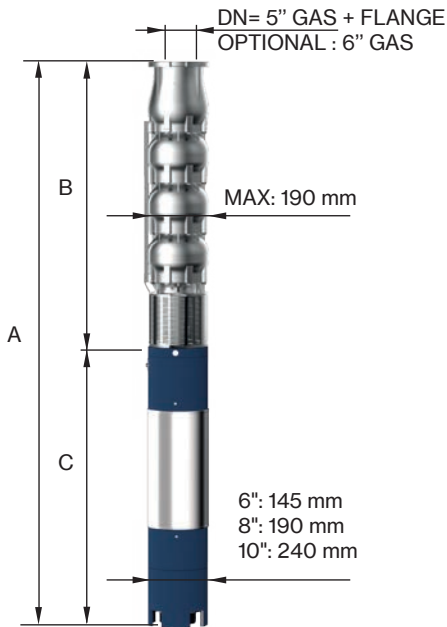




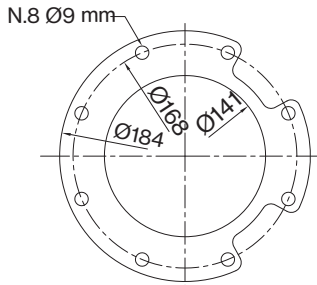


# 8LM 160

Motor 50 Hz - 2900 rpm				Q									
TYPE	Power		400 V	l/min l/sec m³/h	0	600	2000	2200	2400	2600	2800	3000	3200
	HP	kW			A	0	10,0	33,3	36,7	40,0	43,3	46,7	50,0
					0	36	120	132	144	156	168	180	192
8LM 160/09	125	92	175,1	H[m]	225	214	169	163	157	149	140	124	108
8LM 160/10 D	150	110	211,0		250	238	188	181	174	166	155	138	120
8LM 160/11 D	150	110	211,0		275	262	207	199	191	183	171	152	132
8LM 160/12 D	175	130	245,3		300	286	226	217	209	199	186	166	144
8LM 160/13 D	175	130	245,3		325	309	244	235	226	216	202	179	156
8LM 160/14 D	200	150	277,2		350	333	263	253	244	232	217	193	168
8LM 160/15 D	200	150	277,2		375	357	282	272	261	249	233	207	180
8LM 160/16 D	225	165	313,3		400	381	301	290	278	266	248	221	192
8LM 160/17 D	225	165	313,3		425	405	320	308	296	282	264	235	204
8LM 160/18 D	250	185	342,2		450	428	338	326	313	299	279	248	216



Motor 50 Hz 2900 rpm	DIMENSIONS (mm)			Weight (kg)	
	TYPE	A	B	C	M
8LM 160/09	3333	1750	1583	270	80
8LM 160/10 D	3633	1900	1733	300	88
8LM 160/11 D	3783	2050	1733	300	95
8LM 160/12 D	3834	2200	1634	385	103
8LM 160/13 D	3984	2350	1634	385	114
8LM 160/14 D	4234	2500	1734	415	121
8LM 160/15 D	4384	2650	1734	415	129
8LM 160/16 D	4654	2800	1854	444	136
8LM 160/17 D	4804	2950	1854	444	144
8LM 160/18 D	5084	3100	1984	480	151



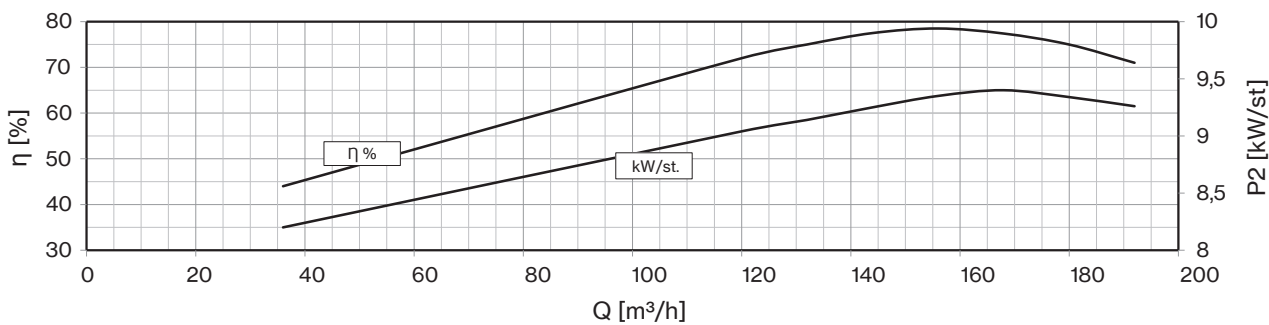
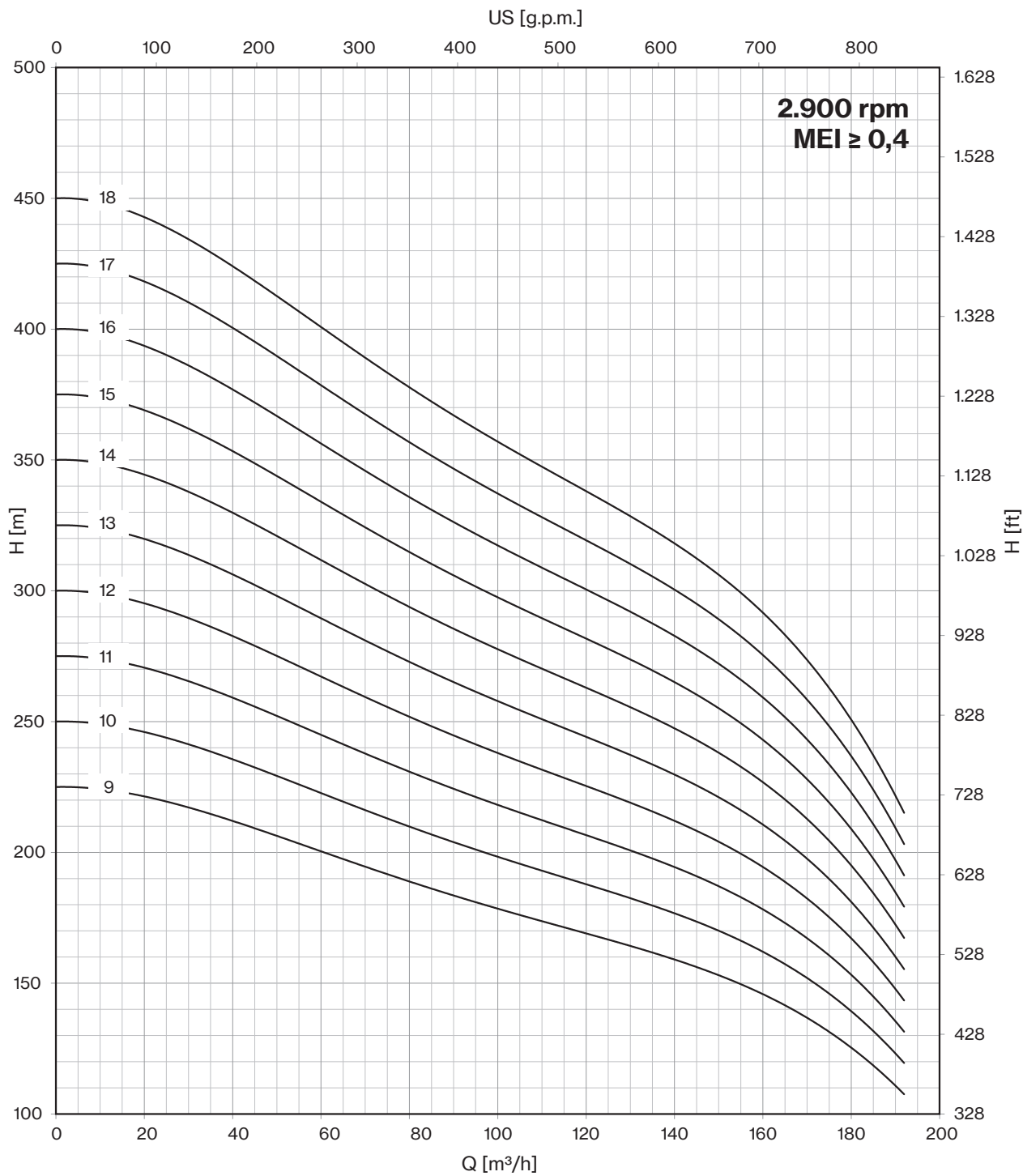
FOR COMMERCIAL TUBE  
EXTERNAL DIAMETER: 139,7 mm

Max Eff. % =	78,5
Max kW / St. =	9,4

Q (flow)	25%	50%	75%	100%
NPSH (m)	4	4,5	7	13

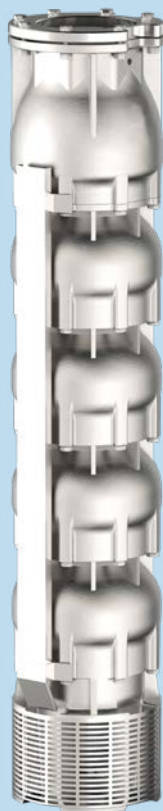
"D" Pump shaft in Duplex





# 10-12LM & E14 lines

Deepwell Borehole



10LM line



12LM line



E14

Submersible multistage centrifugal pumps for 10", 12" and 14" wells. Check valve built into the delivery outlet. Pump flange for coupling with motors are made according to NEMA standards. Most common applications are civil and agricultural. All components are made of stainless steel with lost wax Microfusion technology. The standard material is AISI 304 stainless steel, alternatively the following materials are available on request: AISI 316 Steel, Duplex steel, AISI 904L Steel. Bushing bearings and wear-rings made of sand abrasion-resistant rubber, reverse-Thrust ring in PTFE/Graphite.

### General operating data:

- Capacity up to 860 m<sup>3</sup>/h
- Pressure up to 540 m
- Hydraulic efficiency 10", up to 79,3%
- Hydraulic efficiency 12", up to 82,5%
- Hydraulic efficiency 14", up to 85,7%
- Pressure up to 54 bar
- Powers up to 400 kW
- Rotation speed up to 2.900 rpm
- Maximum depth: 350 m
- Maximum quantity of permitted sand: 100 gr/m<sup>3</sup>
- Drinking water compatibility according to DM174 MEI  $\geq 0,4$  (EU directive No.547/2012)
- Performance tolerance: ISO9906-3B.

### Construction features

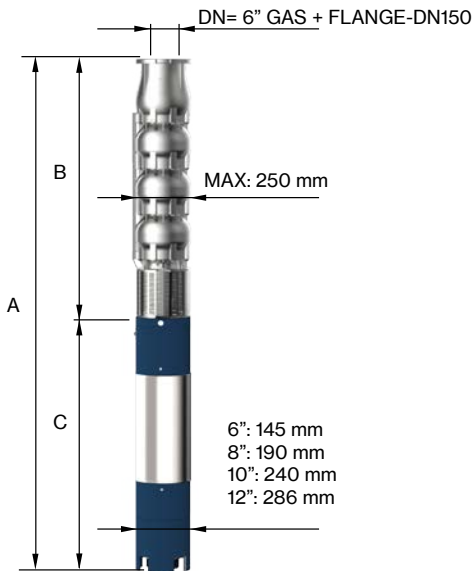
<b>Suction and delivery outlet and NRV valve</b>	stainless steel AISI 304 (LMS) stainless steel AISI 316 (LMX - EX) Duplex (LMD - ED) Cast iron (E)
<b>Impellers and diffusers</b>	stainless steel AISI 304 (LMS) stainless steel AISI 316 (LMX - EX) Duplex (LMD - ED) Cast iron (E)
<b>Upper bushings</b>	NBR rubber
<b>Shaft pump side</b>	stainless steel AISI 304 (LMS) stainless steel AISI 316 (LMX) Duplex (LMD) stainless steel AISI 431 (E - EX - ED)
<b>Quantity of sand in the water</b>	max 100 g/m <sup>3</sup>

### Motor

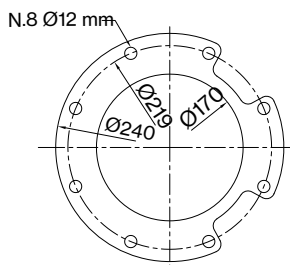
<b>Asynchronous 2 pole</b>	rewindable water cooled
<b>Insulation class</b>	Y (max 30 °C) - PPC winding type F (max 50 °C) - PE2+PA or LPE winding type
<b>Protection degree</b>	IP68
<b>Liquid temperature</b>	max 30 °C (max 50 °C on request)
<b>Depth of immersion</b>	max 350 m



Motor 50 Hz - 2900 rpm				Q									
TYPE	Power		400 V	l/min l/sec m <sup>3</sup> /h	0	700	1800	2200	2600	3000	3400	3800	4000
	HP	kW			A	0	11,7	30,0	36,7	43,3	50,0	56,7	63,3
					0	42	108	132	156	180	204	228	240
10LM 190/01 DR20	25	18,5	38,3	H[m]	35	34	32	30	27	24	21	16	14
10LM 190/01	30	22	45,1		42	41	38	36	34	31	28	23	21
10LM 190/02 DR10	50	37	75,8		76	75	70	66	61	55	48	40	35
10LM 190/02	60	45	86,3		83	82	77	73	68	62	55	47	41
10LM 190/03 DR20	75	55	106,2		104	102	95	89	82	73	62	49	42
10LM 190/03	90	66	126,0		125	124	115	109	102	93	83	70	62
10LM 190/04 DR10	100	75	143,2		152	150	140	132	122	110	96	79	70
10LM 190/04	125	92	175,1		166	165	154	146	136	124	110	94	82
10LM 190/05 DR10	150	110	211,0		190	188	175	165	153	138	120	99	87
10LM 190/05 D	150	110	211,0		208	206	192	182	170	155	138	117	103
10LM 190/06 DR10 D	175	130	245,3		228	225	210	198	184	166	144	119	104
10LM 190/06 D	175	130	245,3		250	247	230	218	204	186	166	140	124



Motor 50 Hz 2900 rpm	DIMENSIONS (mm)			Weight (kg)	
	A	B	C	M	P
10LM 190/01 DR20	1616	625	991	83	41
10LM 190/01	1696	625	1071	92	41
10LM 190/02 DR10	2146	805	1341	118	56
10LM 190/02	1928	805	1123	178	56
10LM 190/03 DR20	2218	985	1233	200	72
10LM 190/03	2287	985	1302	214	72
10LM 190/04 DR10	2548	1165	1383	230	87
10LM 190/04	2748	1165	1583	270	87
10LM 190/05 DR10	2898	1165	1733	300	87
10LM 190/05 D	2898	1165	1733	300	87
10LM 190/06 DR10 D	2799	1165	1634	385	87
10LM 190/06 D	2799	1165	1634	385	87



Max Eff. % DR20 =	76,5
Max Eff. % DR10 =	77,5
Max Eff. % =	77
Max kW / St. DR20 =	16
Max kW / St. DR10 =	18,5
Max kW / St. =	20,8

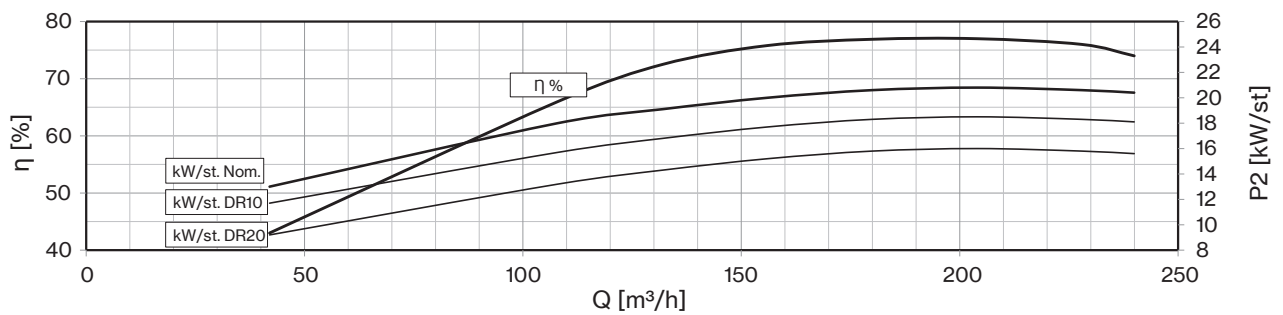
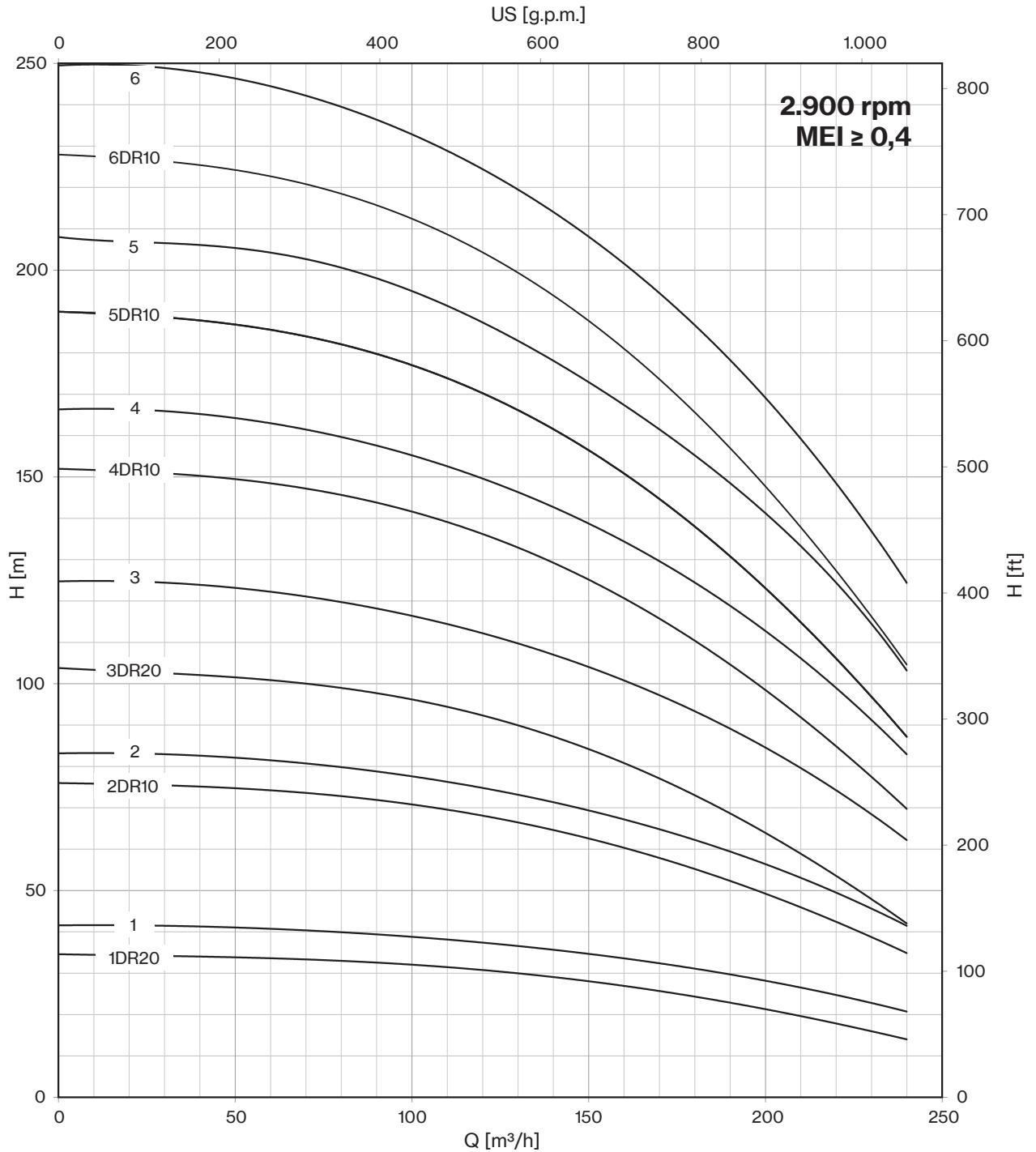
Q (flow)	25%	50%	75%	100%
NPSH (m)	3,4	5	7,8	11,8

FOR COMMERCIAL TUBE  
EXTERNAL DIAMETER: 168,3 mm

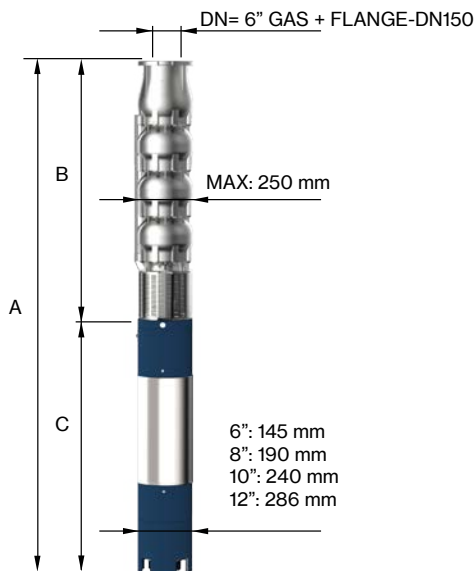
"D" Pump shaft in Duplex



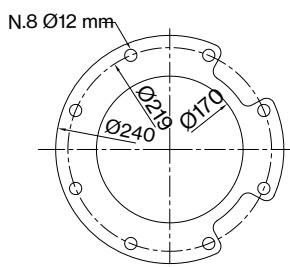
# 10LM 190



Motor 50 Hz - 2900 rpm				Q									
TYPE	Power		400 V	l/min l/sec m <sup>3</sup> /h	0	700	1800	2200	2600	3000	3400	3800	4000
	HP	kW			A	0	11,7	30,0	36,7	43,3	50,0	56,7	63,3
					H[m]	0	42	108	132	156	180	204	228
10LM 190/07 DR10 D	175	130	245,3	H[m]	266	263	245	231	214	193	168	139	122
10LM 190/07 D	200	150	277,2		291	288	269	255	238	217	193	164	144
10LM 190/08 DR10 D	200	150	277,2		304	300	280	264	245	221	192	158	139
10LM 190/08 D	250	185	342,2		333	330	307	291	272	248	221	187	165
10LM 190/09 D	300	220	430,0		374	371	346	328	306	279	248	211	185
10LM 190/010 D	300	220	430,0		416	412	384	364	340	310	276	234	206
10LM 190/011 D	340	250	481,0		458	453	422	400	374	341	304	257	227



Motor 50 Hz 2900 rpm	DIMENSIONS (mm)			Weight (kg)	
	TYPE	A	B	C	M
10LM 190/07 DR10 D	3339	1705	1634	385	134
10LM 190/07 D	3439	1705	1734	415	134
10LM 190/08 DR10 D	3619	1885	1734	415	149
10LM 190/08 D	3869	1885	1984	480	149
10LM 190/09 D	4175	2065	2110	700	165
10LM 190/010 D	4355	2245	2110	700	180
10LM 190/011 D	4705	2425	2280	775	196



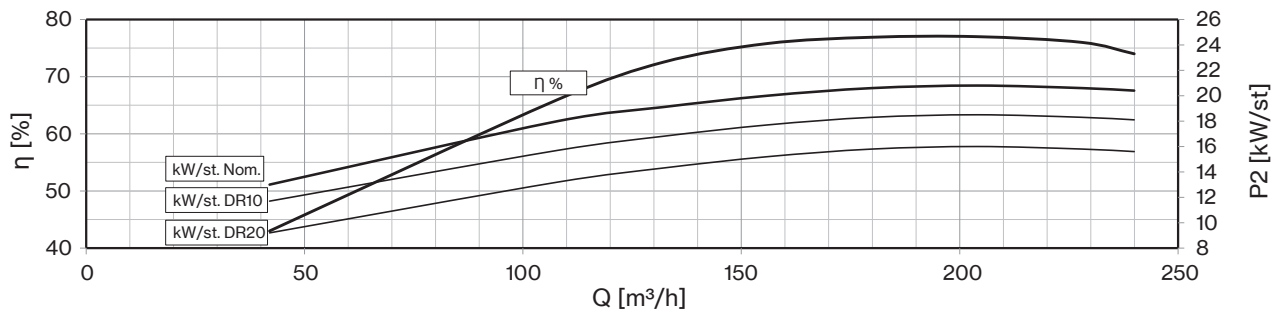
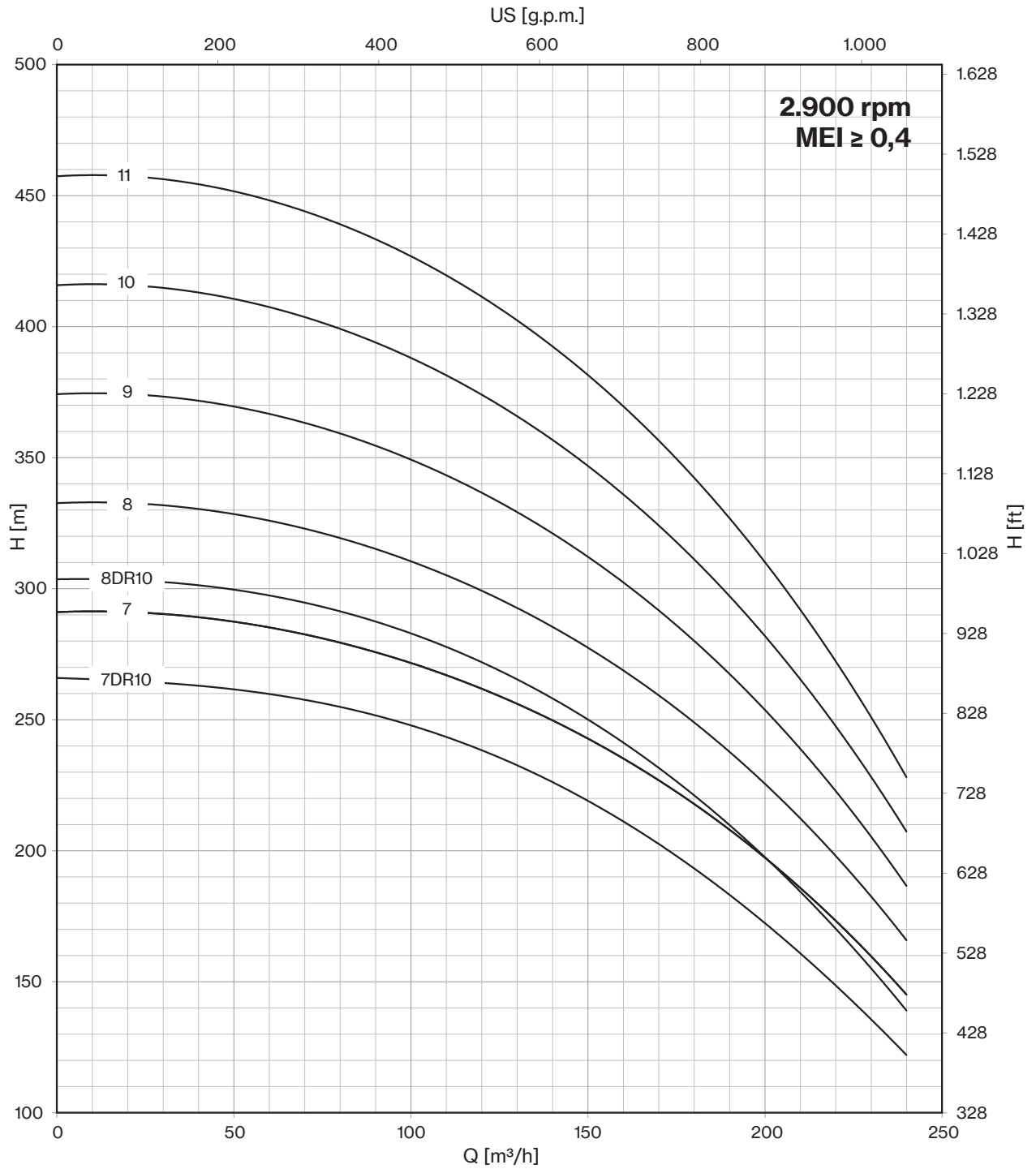
Max Eff. % DR20 =	76,5
Max Eff. % DR10 =	77,5
Max Eff. % =	77
Max kW / St. DR20 =	16
Max kW / St. DR10 =	18,5
Max kW / St. =	20,8

Q (flow)	25%	50%	75%	100%
NPSH (m)	3,4	5	7,8	11,8

FOR COMMERCIAL TUBE  
EXTERNAL DIAMETER: 168,3 mm

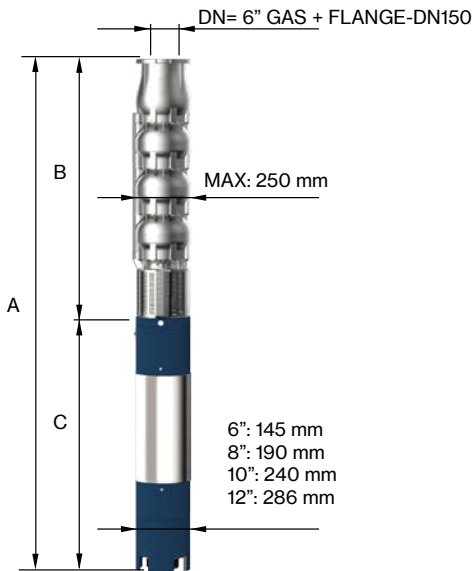


# 10LM 190

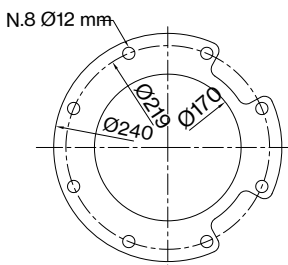




Motor 50 Hz - 2900 rpm				Q									
TYPE	Power		400 V	l/min l/sec m3/h	0	800	2200	2600	3000	3400	3800	4200	4600
	HP	kW			A	0	13,3	36,7	43,3	50,0	56,7	63,3	70,0
10LM 230/01 DR20	25	18,5	38,3	H[m]	0	48	132	156	180	204	228	252	276
10LM 230/01	35	26	52,9		37	36	31	29	27	25	23	19	16
10LM 230/02 DR20	50	37	75,8		44	43	38	36	34	32	30	26	23
10LM 230/02	75	55	106,2		74	71	62	58	54	50	45	38	32
10LM 230/03 DR20	75	55	106,2		88	85	75	72	68	64	59	53	46
10LM 230/03 DR10	90	66	126,0		110	107	93	87	81	75	68	57	48
10LM 230/03	100	75	143,2		121	116	102	98	92	86	78	68	59
10LM 230/04 DR10	125	92	175,1		131	128	113	108	102	96	89	79	69
10LM 230/04	125	92	175,1		162	154	136	130	122	114	104	91	78
10LM 230/05 DR10 D	150	110	211,0		175	170	150	144	136	128	118	106	92
10LM 230/05 D	175	130	245,3		202	193	170	163	153	143	130	114	98
10LM 230/06 DR10 D	175	130	245,3		219	213	188	180	170	160	148	132	115
10LM 230/06 D	200	150	277,2		242	231	204	195	183	171	156	137	117
						263	255	225	216	204	192	178	159



Motor 50 Hz 2900 rpm	DIMENSIONS (mm)			Weight (kg)	
	TYPE	A	B	C	M
10LM 230/01 DR20	1616	625	991	83	41
10LM 230/01	1806	625	1181	100	41
10LM 230/02 DR20	2146	805	1341	118	56
10LM 230/02	2038	805	1233	200	56
10LM 230/03 DR20	2218	985	1233	200	72
10LM 230/03 DR10	2287	985	1302	214	72
10LM 230/03	2368	985	1383	230	72
10LM 230/04 DR10	2748	1165	1583	270	87
10LM 230/04	2748	1165	1583	270	87
10LM 230/05 DR10 D	3078	1345	1733	300	103
10LM 230/05 D	3078	1345	1733	300	103
10LM 230/06 DR10 D	3159	1525	1634	385	118
10LM 230/06 D	3159	1525	1634	385	118



Max Eff. % DR20 =	78,4
Max Eff. % DR10 =	79,5
Max Eff. % =	79,2
Max kW / St. DR20 =	17,5
Max kW / St. DR10 =	19,5
Max kW / St. =	22,8

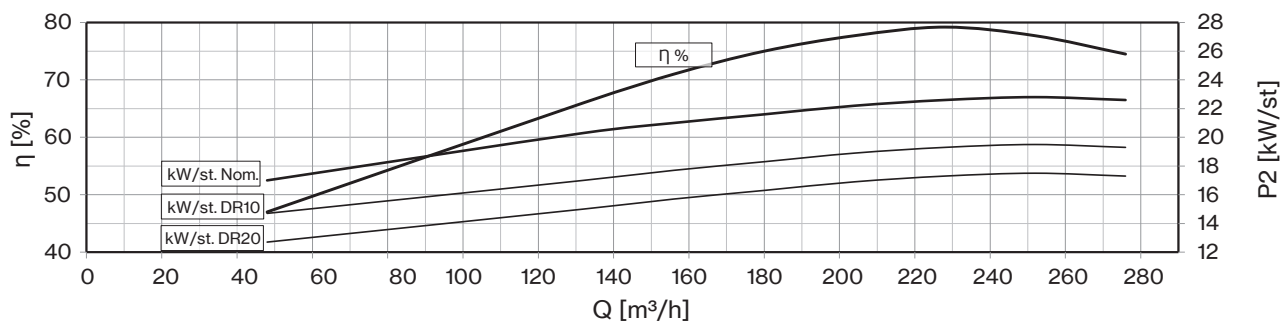
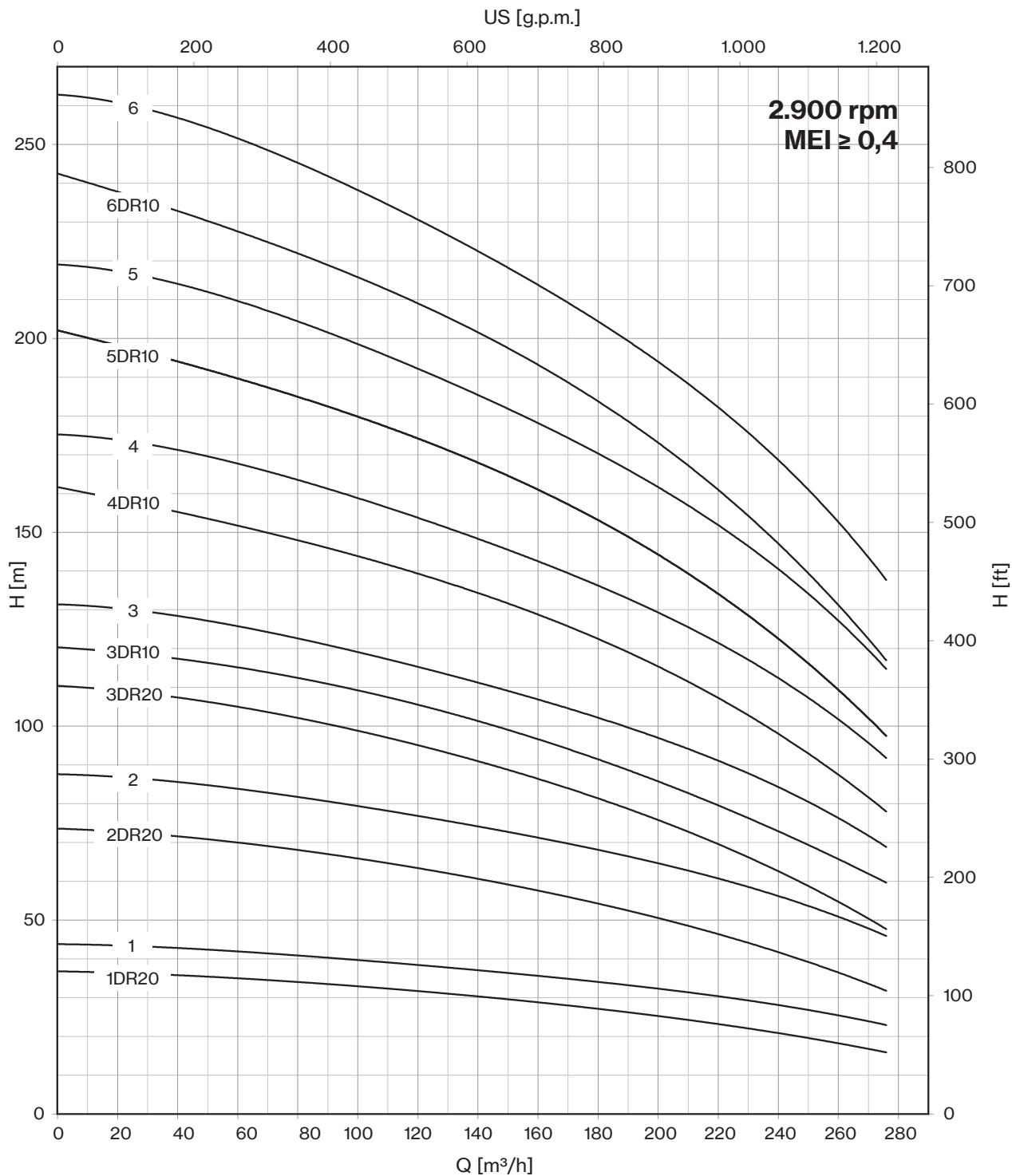
Q (flow)	25%	50%	75%	100%
NPSH (m)	3,4	5	7,8	11,8

FOR COMMERCIAL TUBE  
EXTERNAL DIAMETER: 168,3 mm

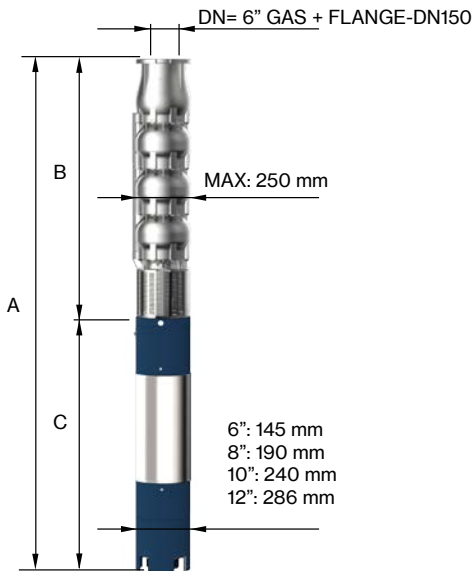
"D" Pump shaft in Duplex



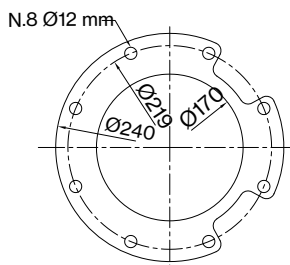
# 10LM 230



Motor 50 Hz - 2900 rpm				Q									
TYPE	Power		400 V	l/min	0	800	2200	2600	3000	3400	3800	4200	4600
	HP	kW			A	l/sec	0	13,3	36,7	43,3	50,0	56,7	63,3
				m <sup>3</sup> /h	0	48	132	156	180	204	228	252	276
10LM 230/07 DR10 D	200	150	277,2	H[m]	283	270	238	228	214	200	182	160	137
10LM 230/07 D	225	165	313,3		307	298	263	252	238	224	207	185	161
10LM 230/08 DR10 D	225	165	313,3		323	308	272	261	245	229	208	182	157
10LM 230/08 D	250	185	342,2		350	340	301	288	272	256	237	211	184
10LM 230/09 D	300	220	430,0		394	383	338	324	306	288	266	238	207
10LM 230/10 D	340	250	481,0		438	425	376	360	340	320	296	264	230
10LM 230/11 D	340	250	481,0		482	468	413	396	374	352	326	291	253



Motor 50 Hz 2900 rpm	DIMENSIONS (mm)			Weight (kg)	
	A	B	C	M	P
10LM 230/07 DR10 D	3439	1705	1734	415	134
10LM 230/07 D	3559	1705	1854	444	134
10LM 230/08 DR10 D	3739	1885	1854	444	149
10LM 230/08 D	3869	1885	1984	480	149
10LM 230/09 D	4175	2065	2110	700	165
10LM 230/10 D	4355	2245	2110	700	180
10LM 230/11 D	4705	2425	2280	775	196



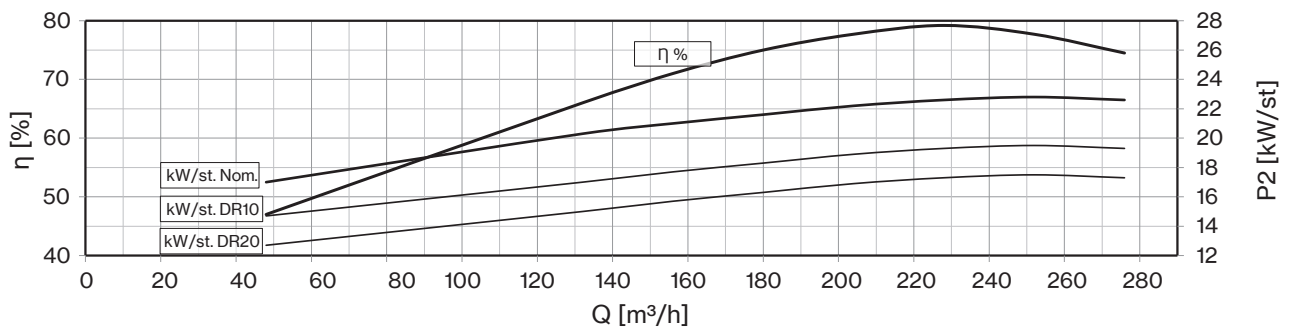
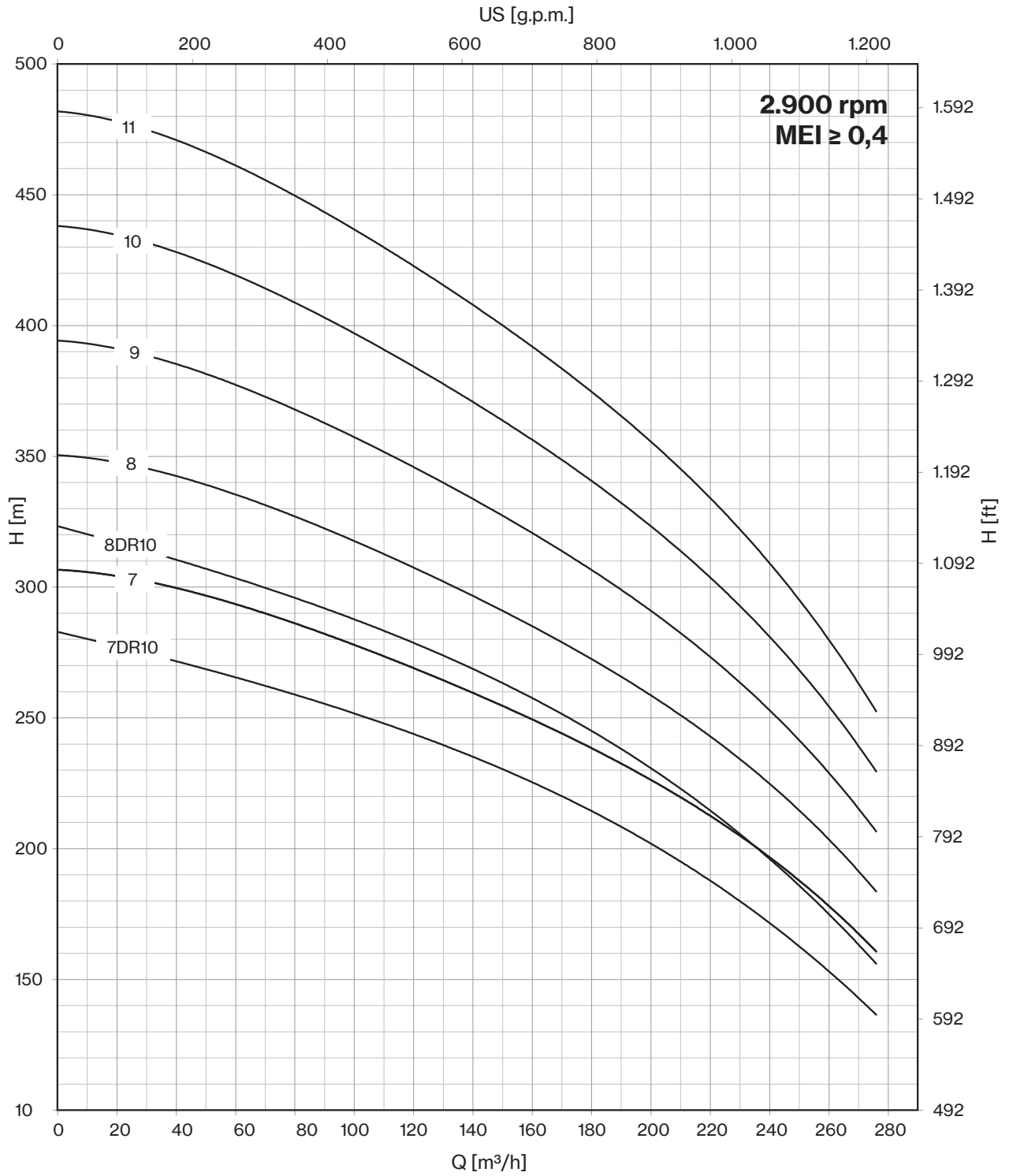
Max Eff. % DR20 =	78,4
Max Eff. % DR10 =	79,5
Max Eff. % =	79,2
Max kW / St. DR20 =	17,5
Max kW / St. DR10 =	19,5
Max kW / St. =	22,8

Q (flow)	25%	50%	75%	100%
NPSH (m)	3,4	5	7,8	11,8

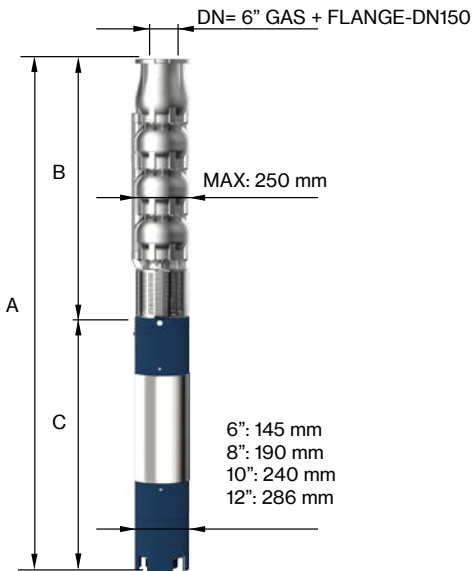
FOR COMMERCIAL TUBE  
EXTERNAL DIAMETER: 168,3 mm



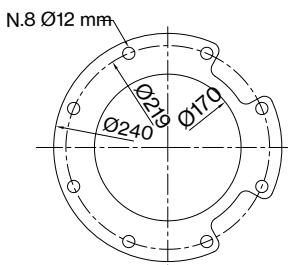
# 10LM 230



Motor 50 Hz - 2900 rpm				Q									
TYPE	Power		400 V	l/min l/sec m <sup>3</sup> /h	0	1000	3200	3600	4000	4400	4800	5000	5200
	HP	kW			A	0	16,7	53,3	60,0	66,7	73,3	80,0	83,3
					0	60	192	216	240	264	288	300	312
10LM 250/01 DR20	25	18,5	38,3	H[m]	31	31	27	25	23	21	18	17	14
10LM 250/01	40	30	61,1		44	42	34	32	30	28	26	25	24
10LM 250/02 DR20	50	37	75,8		63	62	54	50	46	42	36	33	27
10LM 250/02	75	55	106,2		88	84	67	64	59	56	52	50	48
10LM 250/03 DR10	100	75	143,2		107	107	93	86	80	73	65	59	53
10LM 250/03	125	92	175,1		132	126	101	96	89	83	78	75	72
10LM 250/04 DR10	125	92	175,1		143	142	124	115	107	97	87	79	70
10LM 250/04 D	150	110	211,0		176	168	134	128	118	111	104	100	96
10LM 250/05 DR10 D	175	130	245,3		179	178	155	144	134	121	109	99	88
10LM 250/05 D	200	150	277,2		220	210	168	160	148	139	130	125	120
10LM 250/06 D	225	165	313,3	264	252	202	192	178	167	156	150	144	



Motor 50 Hz 2900 rpm	DIMENSIONS (mm)			Weight (kg)	
TYPE	A	B	C	M	P
10LM 250/01 DR20	1616	625	991	83	41
10LM 250/01	1876	625	1251	108	41
10LM 250/02 DR20	2146	805	1341	118	57
10LM 250/02	2038	805	1233	200	57
10LM 250/03 DR10	2368	985	1383	230	72
10LM 250/03	2568	985	1583	270	72
10LM 250/04 DR10	2748	1165	1583	270	88
10LM 250/04 D	2898	1165	1733	300	88
10LM 250/05 DR10 D	2979	1345	1634	385	103
10LM 250/05 D	2979	1345	1634	385	103
10LM 250/06 D	3379	1525	1854	444	119



Max Eff. % DR20 =	79
Max Eff. % DR10 =	79,5
Max Eff. % =	79,3
Max kW / St. DR20 =	18
Max kW / St. DR10 =	22,5
Max kW / St. =	27,4

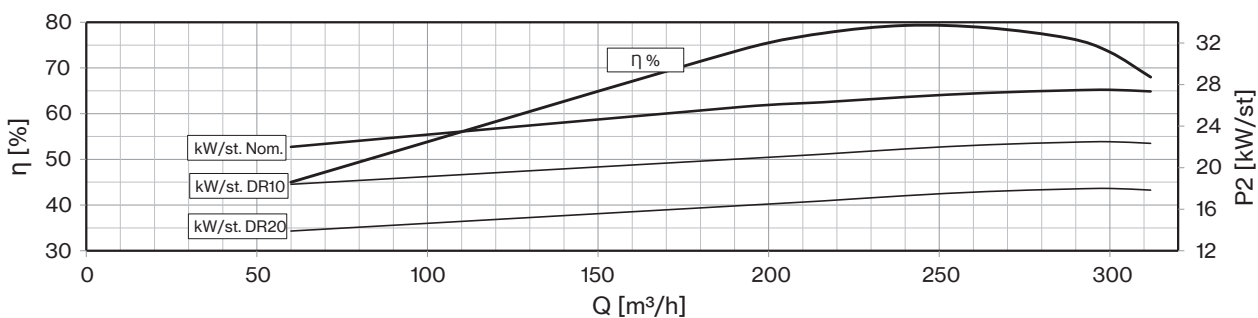
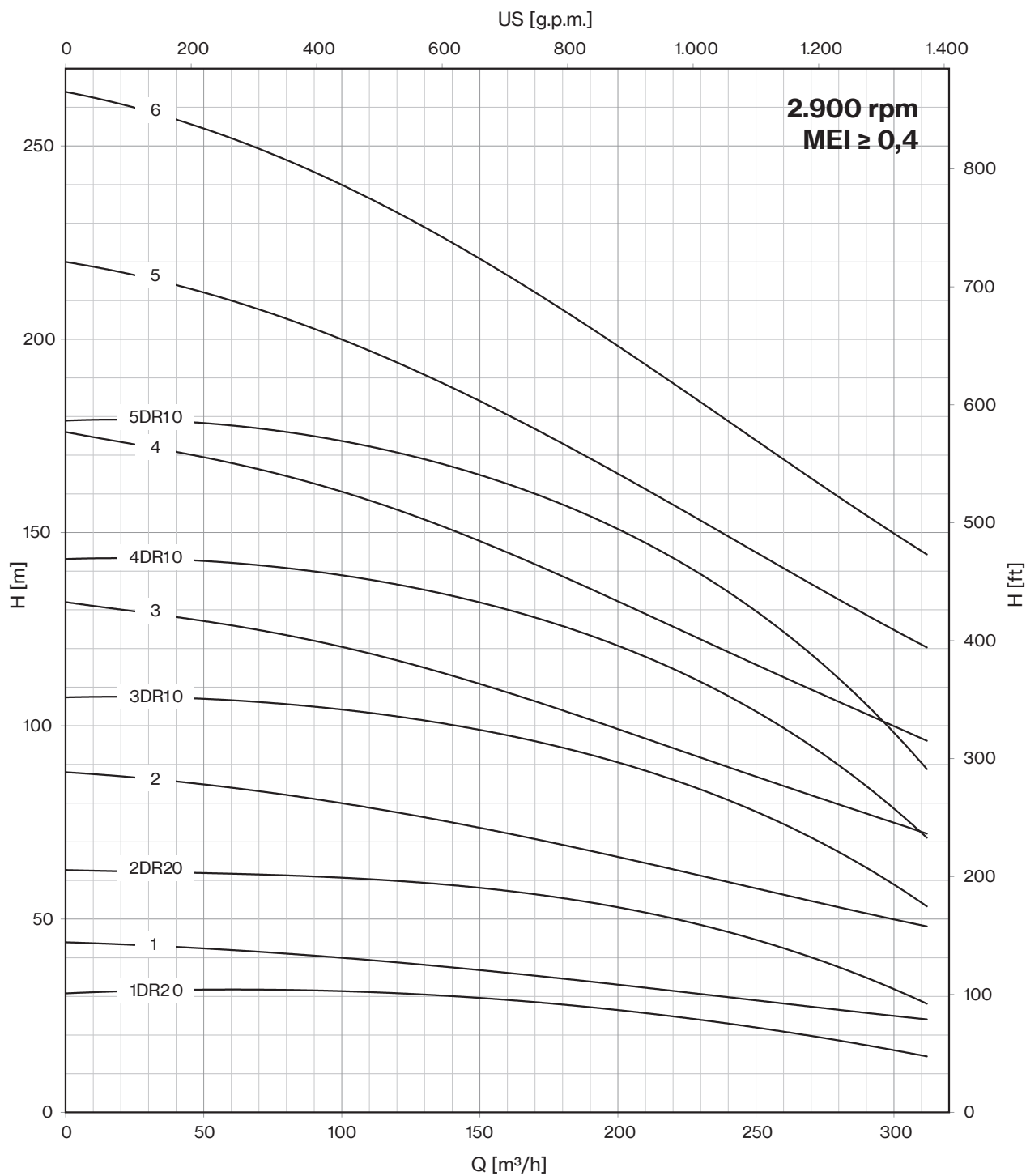
Q (flow)	25%	50%	75%	100%
NPSH (m)	3,4	5	7,8	11,8

FOR COMMERCIAL TUBE  
EXTERNAL DIAMETER: 168,3 mm

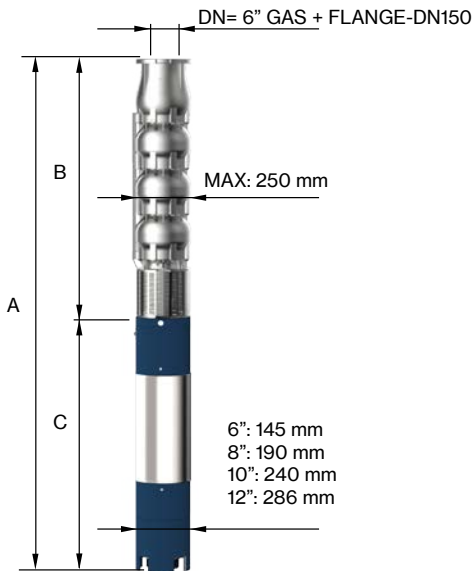
"D" Pump shaft in Duplex



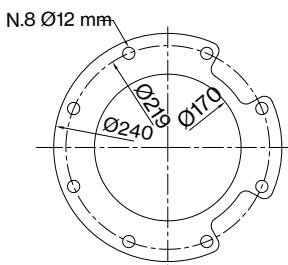
# 10LM 250



Motor 50 Hz - 2900 rpm				Q									
TYPE	Power		400 V	l/min	0	1000	3200	3600	4000	4400	4800	5000	5200
	HP	kW		A	l/sec	0	16,7	53,3	60,0	66,7	73,3	80,0	83,3
			m <sup>3</sup> /h		0	60	192	216	240	264	288	300	312
10LM 250/07 DR10 D	225	165	313,3	H[m]	251	249	217	202	188	169	153	139	123
10LM 250/07 D	300	220	430,0		308	294	235	224	207	195	182	175	168
10LM 250/08 D	300	220	430,0		352	336	269	256	237	222	208	200	192
10LM 250/09 D	340	250	481,0		396	378	302	288	266	250	234	225	216
10LM 250/10 D	400	300	551,0		440	420	336	320	296	278	260	250	240
10LM 250/11 D	450	330	620,0		484	462	370	352	326	306	286	275	264
10LM 250/12 D	450	330	620,0		528	504	403	384	355	334	312	300	288



Motor 50 Hz 2900 rpm	DIMENSIONS (mm)			Weight (kg)	
TYPE	A	B	C	M	P
10LM 250/07 DR10 D	3559	1705	1854	444	134
10LM 250/07 D	3815	1705	2110	700	134
10LM 250/08 D	3995	1885	2110	700	150
10LM 250/09 D	4345	2065	2280	775	165
10LM 250/10 D	4525	2245	2280	775	181
10LM 250/11 D	4705	2425	2280	775	196
10LM 250/12 D	4765	2605	2160	906	212



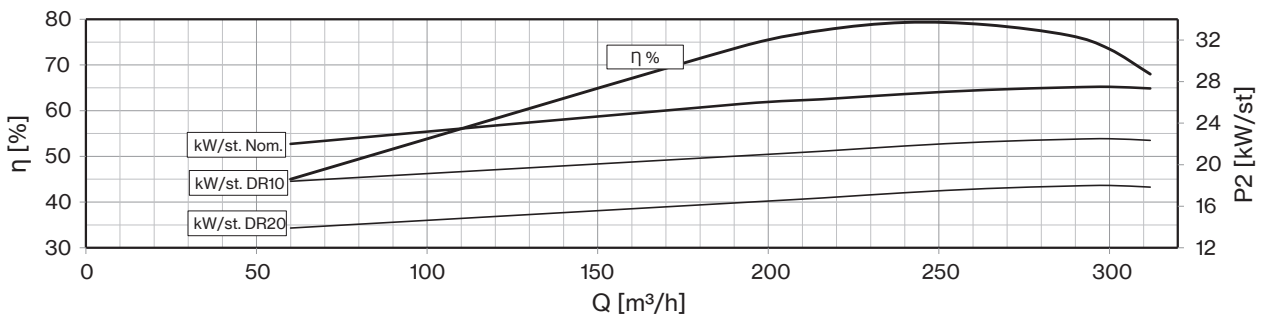
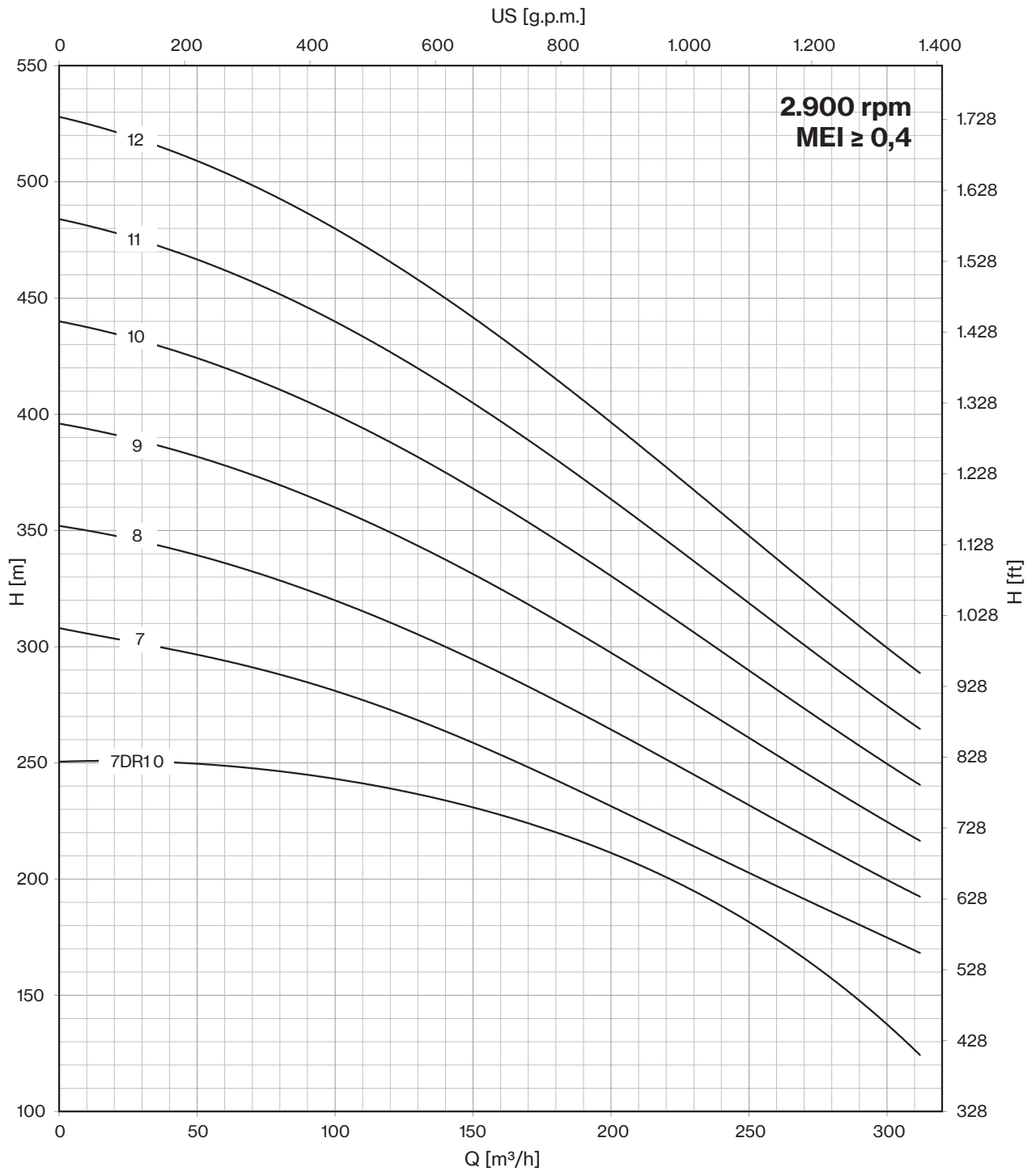
Max Eff. % DR20 =	79
Max Eff. % DR10 =	79,5
Max Eff. % =	79,3
Max kW / St. DR20 =	18
Max kW / St. DR10 =	22,5
Max kW / St. =	27,4

Q (flow)	25%	50%	75%	100%
NPSH (m)	3,4	5	7,8	11,8

FOR COMMERCIAL TUBE  
EXTERNAL DIAMETER: 168,3 mm

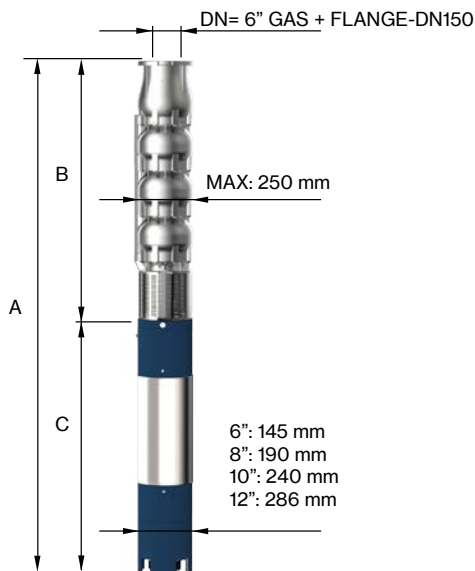


# 10LM 250

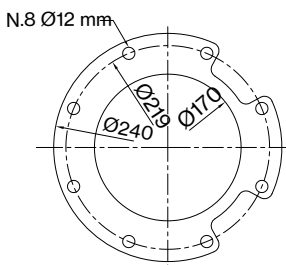




Motor 50 Hz - 2900 rpm				Q									
TYPE	Power		400 V	l/min l/sec m <sup>3</sup> /h	0	1000	3400	3800	4200	4600	5000	5400	5800
	HP	kW			A	0	16,7	56,7	63,3	70,0	76,7	83,3	90,0
					0	60	204	228	252	276	300	324	348
10LM 275/01 DR20	35	26	52,9	H[m]	36	36	28	26	25	23	21	19	16
10LM 275/01	50	37	75,8		45	44	37	35	34	32	30	28	25
10LM 275/02 DR20	75	55	106,2		72	71	56	52	50	46	42	39	32
10LM 275/02	90	66	126,0		90	87	73	70	67	63	60	56	50
10LM 275/03 DR10	125	92	175,1		122	121	97	92	88	82	77	72	62
10LM 275/03 D	150	110	211,0		135	131	110	105	101	95	90	85	75
10LM 275/04 DR10 D	175	130	245,3		163	161	130	123	118	110	103	96	83
10LM 275/04 D	200	150	277,2		180	175	146	140	134	126	120	113	100
10LM 275/05 DR10 D	200	150	277,2		204	202	162	154	147	137	129	120	104
10LM 275/05 D	225	165	313,3		225	219	183	175	168	158	150	141	125
10LM 275/06 DR10 D	250	185	342,2		245	242	194	185	176	164	155	144	125
10LM 275/06 D	300	220	430,0		270	262	220	210	202	190	180	169	150



Motor 50 Hz 2900 rpm	DIMENSIONS (mm)			Weight (kg)	
	A	B	C	M	P
10LM 275/01 DR20	1806	625	1181	100	41
10LM 275/01	1966	625	1341	118	41
10LM 275/02 DR20	2038	805	1233	200	56
10LM 275/02	2107	805	1302	214	56
10LM 275/03 DR10	2568	985	1583	270	72
10LM 275/03 D	2718	985	1733	300	72
10LM 275/04 DR10 D	2799	1165	1634	385	87
10LM 275/04 D	2899	1165	1734	415	87
10LM 275/05 DR10 D	3079	1345	1734	415	103
10LM 275/05 D	3199	1345	1854	444	103
10LM 275/06 DR10 D	3509	1525	1984	480	118
10LM 275/06 D	3635	1525	2110	700	118



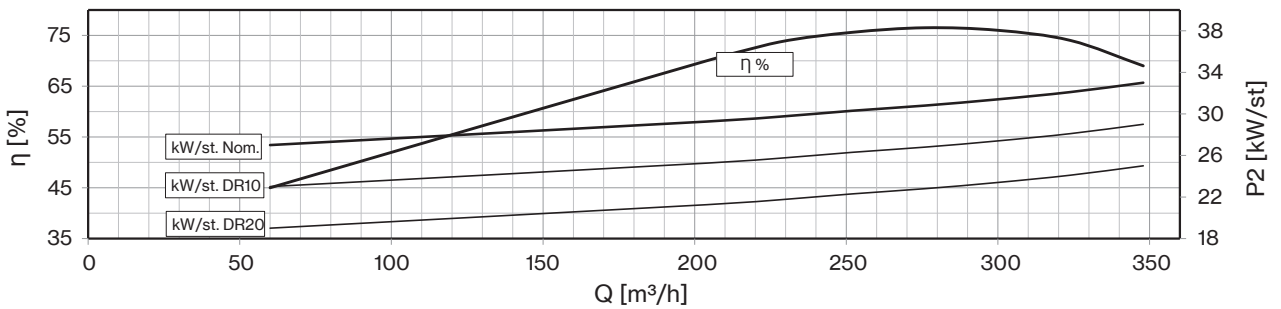
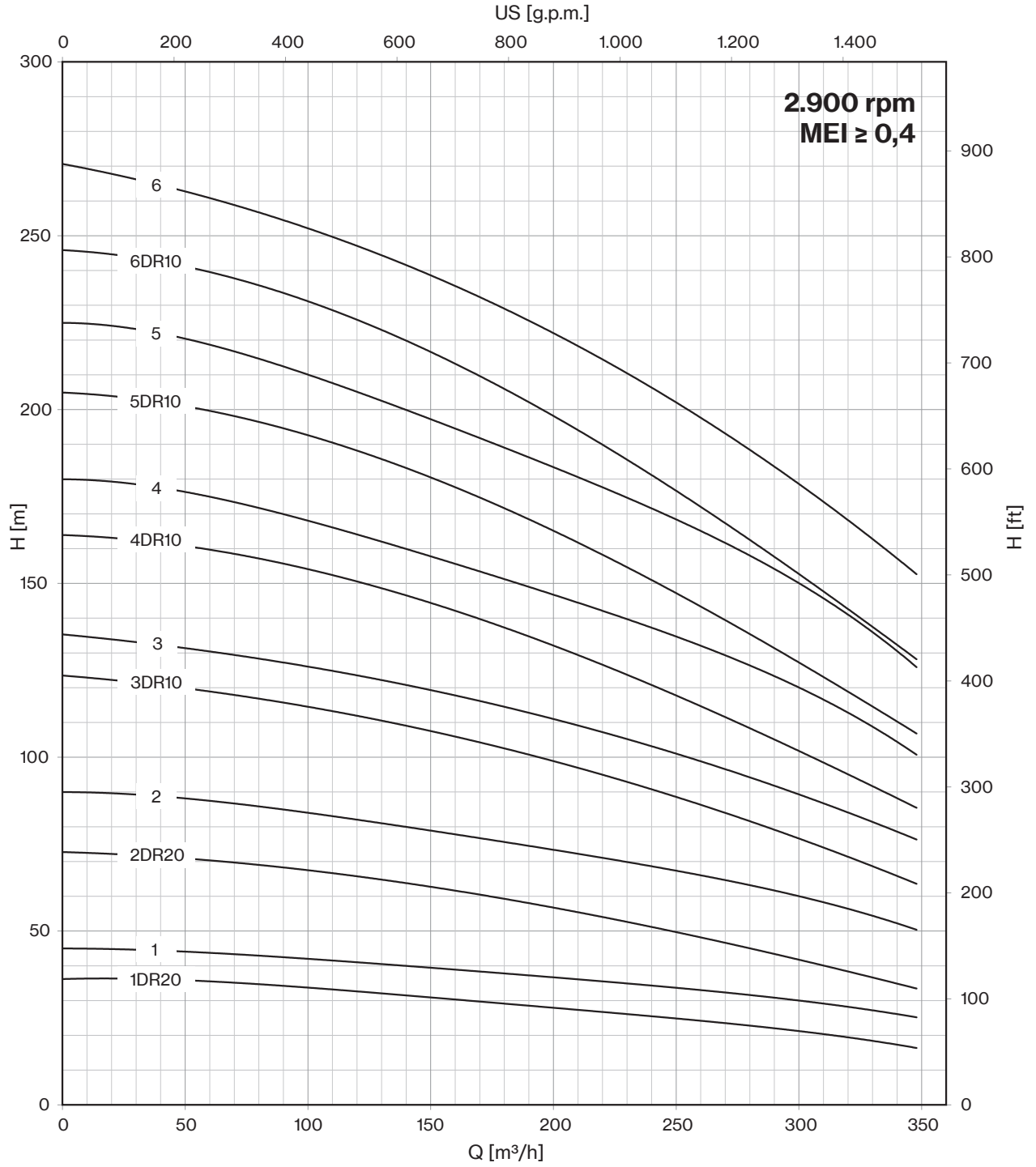
Max Eff. % DR20 =	76,1
Max Eff. % DR10 =	77,2
Max Eff. % =	76,5
Max kW / St. DR20 =	25
Max kW / St. DR10 =	29
Max kW / St. =	33

Q (flow)	25%	50%	75%	100%
NPSH (m)	3,4	5	7,8	11,8

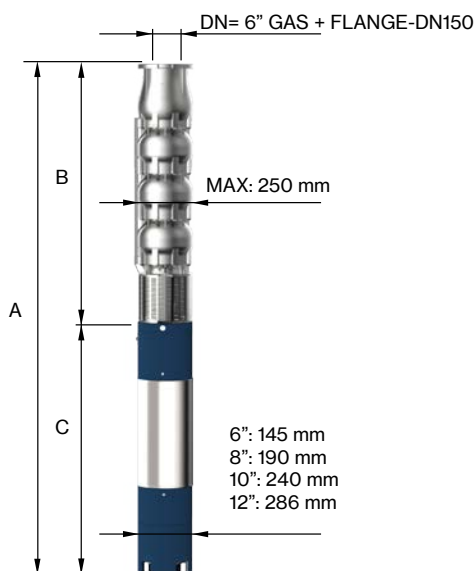
"D" Pump shaft in Duplex



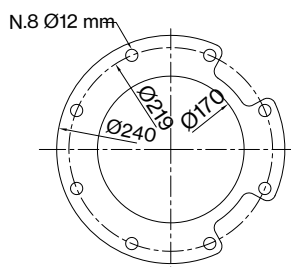
# 10LM 275



Motor 50 Hz - 2900 rpm				Q									
TYPE	Power		400 V	l/min	0	1000	3400	3800	4200	4600	5000	5400	5800
	HP	kW		A	l/sec	0	16,7	56,7	63,3	70,0	76,7	83,3	90,0
			m <sup>3</sup> /h		0	60	204	228	252	276	300	324	348
10LM 275/07 DR10 D	300	220	430,0	H[m]	286	282	227	216	206	192	181	168	146
10LM 275/07 D	340	250	481,0		315	306	256	245	235	221	210	197	175
10LM 275/08 D	400	300	551,0		360	350	293	280	269	253	240	226	200
10LM 275/09 D	400	300	551,0		405	393	329	315	302	284	270	254	225
10LM 275/10 D	450	330	620,0		450	437	366	350	336	316	300	282	250
10LM 275/11 D	500	370	693,0		495	481	403	385	370	348	330	310	275
10LM 275/12 D	550	400	798,0		540	524	439	420	403	379	360	338	300



Motor 50 Hz 2900 rpm	DIMENSIONS (mm)			Weight (kg)	
TYPE	A	B	C	M	P
10LM 275/07 DR10 D	3815	1705	2110	700	134
10LM 275/07 D	3985	1705	2280	775	134
10LM 275/08 D	4165	1885	2280	775	149
10LM 275/09 D	4345	2065	2280	775	165
10LM 275/10 D	4405	2245	2160	906	180
10LM 275/11 D	4585	2425	2160	906	196
10LM 275/12 D	4925	2605	2320	1010	211



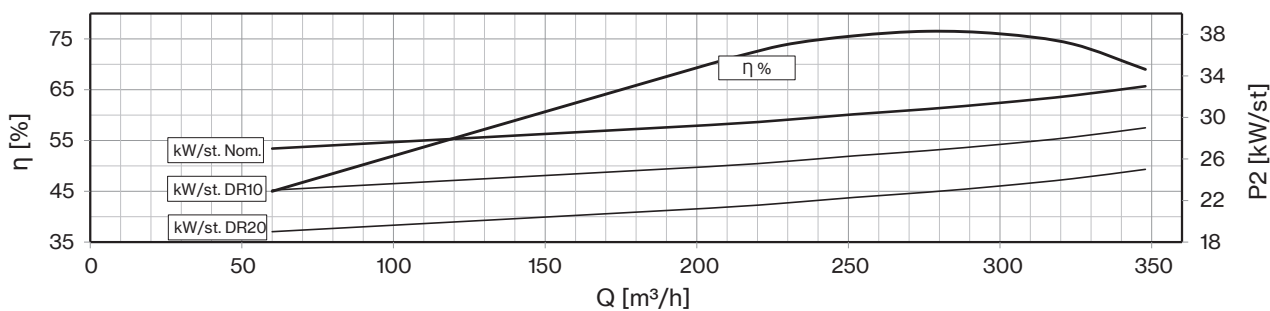
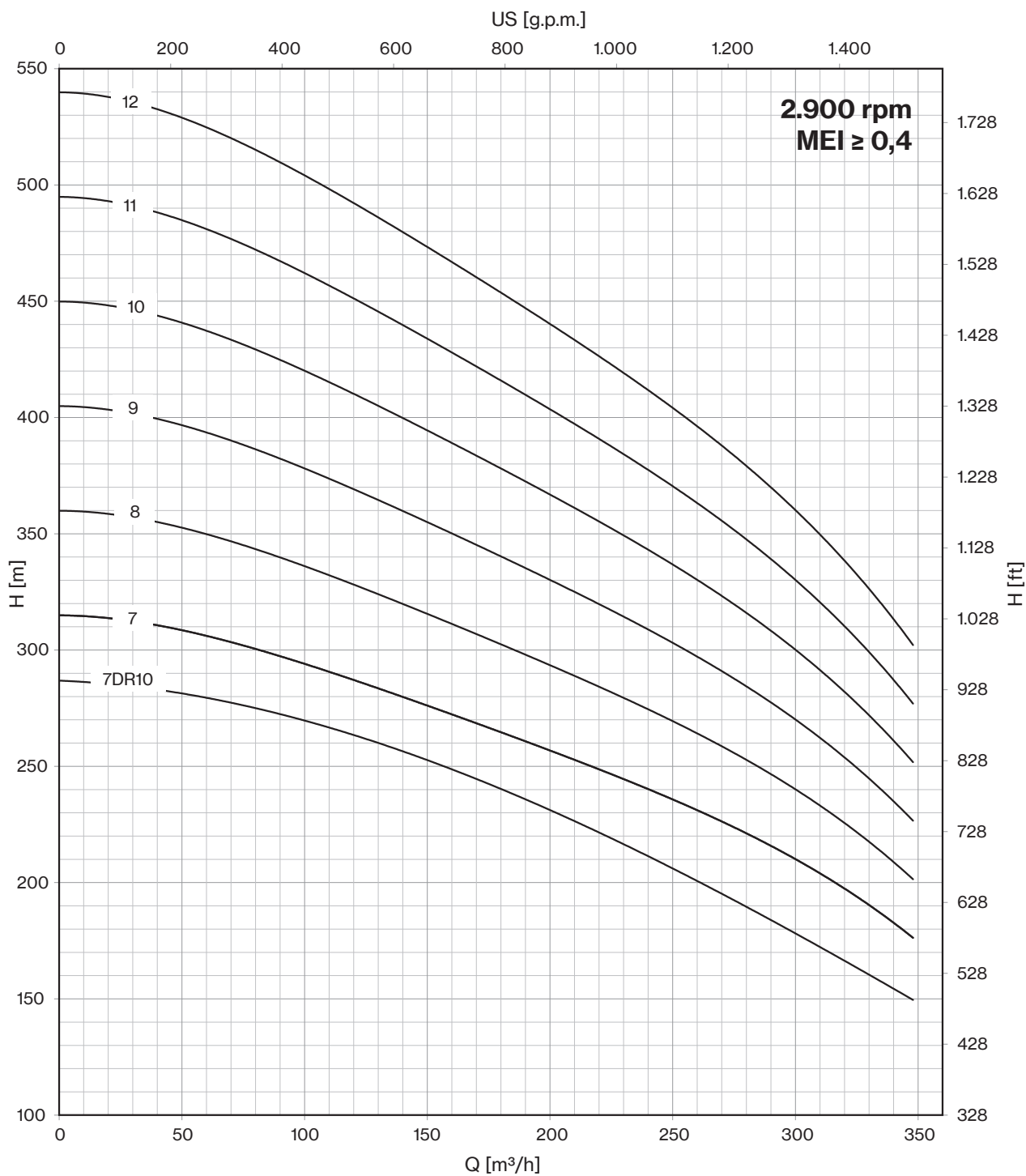
Max Eff. % DR20 =	76,1
Max Eff. % DR10 =	77,2
Max Eff. % =	76,5
Max kW / St. DR20 =	25
Max kW / St. DR10 =	29
Max kW / St. =	33

Q (flow)	25%	50%	75%	100%
NPSH (m)	3,4	5	7,8	11,8

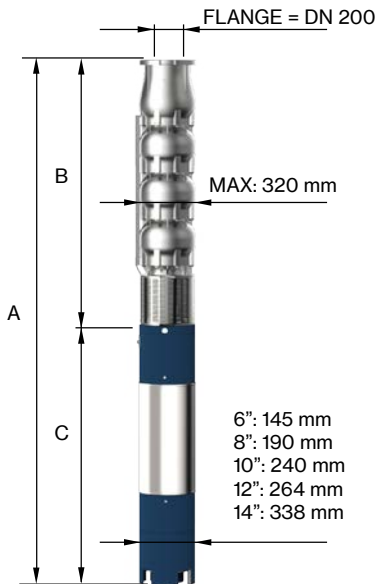
FOR COMMERCIAL TUBE  
EXTERNAL DIAMETER: 168,3 mm



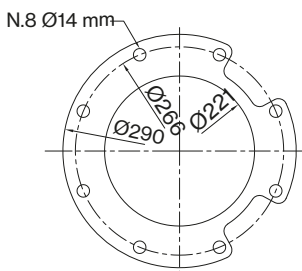
# 10LM 275



Motor 50 Hz - 2900 rpm				Q									
TYPE	Power		400 V	l/min	0	1500	4000	4500	5000	5500	6000	6500	7000
	HP	kW			A	l/sec	25,0	66,7	75,0	83,3	91,7	100,0	108,3
						m <sup>3</sup> /h	90	240	270	300	330	360	390
12LM 360/01 DR35	50	37	75,8	H[m]	41	40	37	35	33	32	29		
12LM 360/01 DR20	75	55	106,2		49	48	47	45	44	42	40	38	34
12LM 360/01	90	66	126,0		62	61	55	53	52	52	50	47	42
12LM 360/02 DR35	100	75	143,2		82	80	73	70	66	63	57		
12LM 360/02 DR20 D	150	110	211,0		98	96	93	90	87	84	80	75	68
12LM 360/02 D	175	130	245,3		124	122	109	106	104	103	100	93	84
12LM 360/03 DR20 D	200	150	277,2		147	144	140	135	131	126	120	113	102
12LM 360/03 DR10 D	250	185	342,2		165	162	152	149	144	140	132	126	120
12LM 360/03 D	300	220	430,0		186	183	164	159	156	155	150	140	126
12LM 360/04 DR20 D	300	220	430,0		196	192	186	180	174	168	160	150	136
12LM 360/04 DR10 D	340	250	481,0		220	216	202	198	192	186	176	168	160
12LM 360/04 D	400	300	551,0		248	244	218	212	208	206	200	186	168



Motor 50 Hz 2900 rpm	DIMENSIONS (mm)			Weight (kg)	
TYPE	A	B	C	M	P
12LM 360/01 DR35	2111	770	1341	118	79
12LM 360/01 DR20	2003	770	1233	200	79
12LM 360/01	2072	770	1302	214	79
12LM 360/02 DR35	2383	1000	1383	230	104
12LM 360/02 DR20 D	2733	1000	1733	300	104
12LM 360/02 D	2634	1000	1634	385	104
12LM 360/03 DR20 D	2964	1230	1734	415	129
12LM 360/03 DR10 D	3214	1230	1984	480	129
12LM 360/03 D	3340	1230	2110	700	129
12LM 360/04 DR20 D	3570	1460	2110	700	154
12LM 360/04 DR10 D	3740	1460	2280	775	154
12LM 360/04 D	3740	1460	2280	775	154



Max Eff. % DR35 =	77,5
Max Eff. % DR20 =	80
Max Eff. % DR10 =	80,5
Max Eff. % =	81
Max kW / St. DR35 =	36,80
Max kW / St. DR20 =	49,5
Max kW / St. DR10 =	55,2
Max kW / St. =	64,2

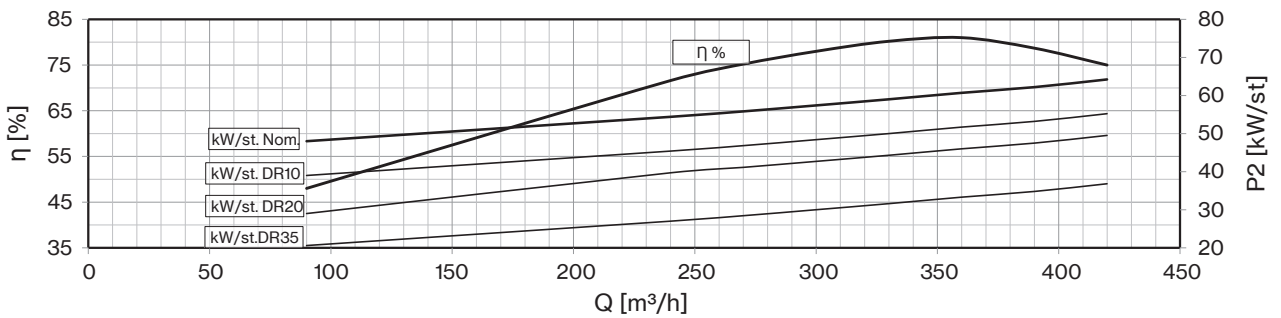
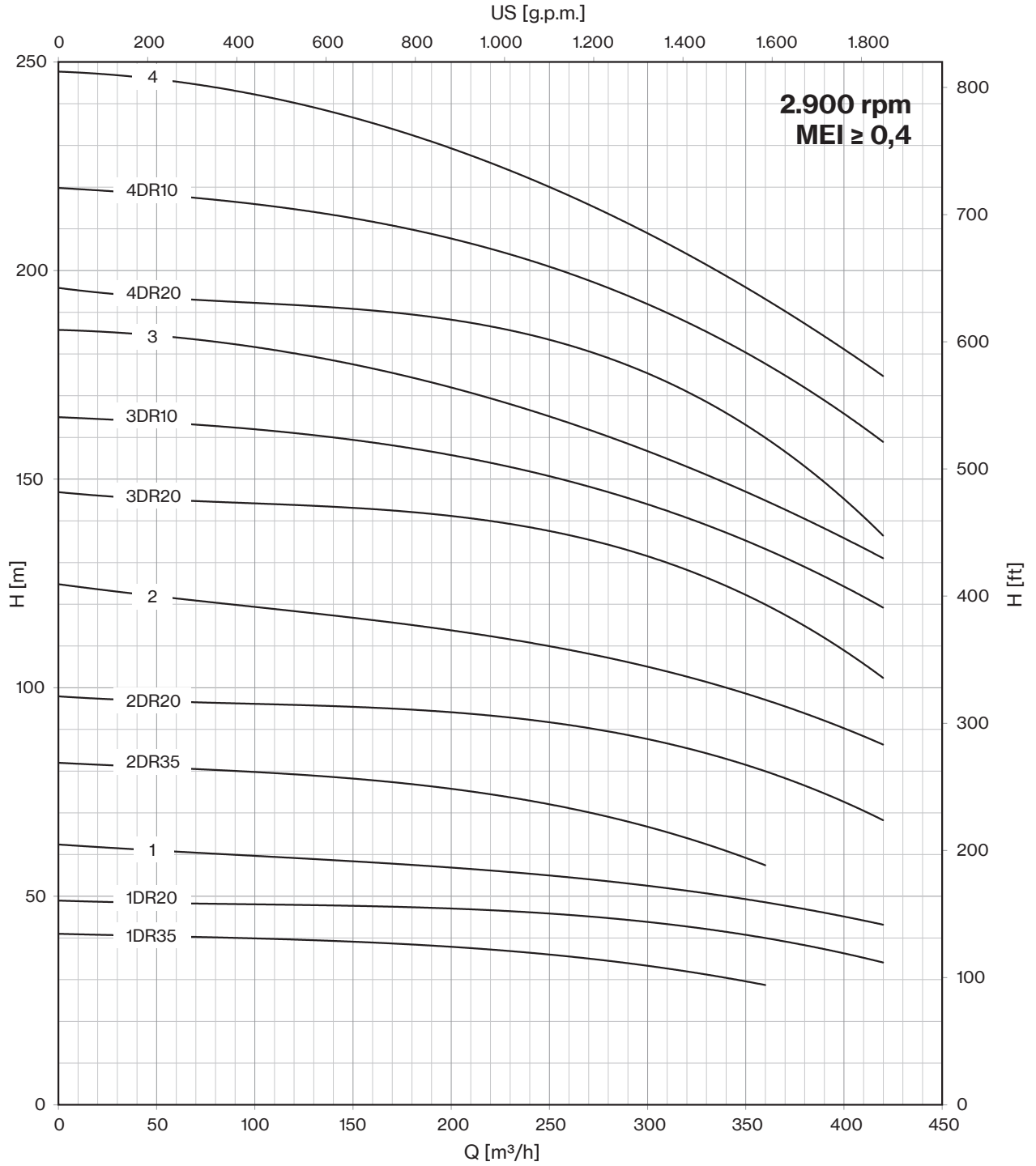
Q (flow)	25%	50%	75%	100%
NPSH (m)	3,4	5	7,8	11,8

FOR COMMERCIAL TUBE  
EXTERNAL DIAMETER: 219,1 mm

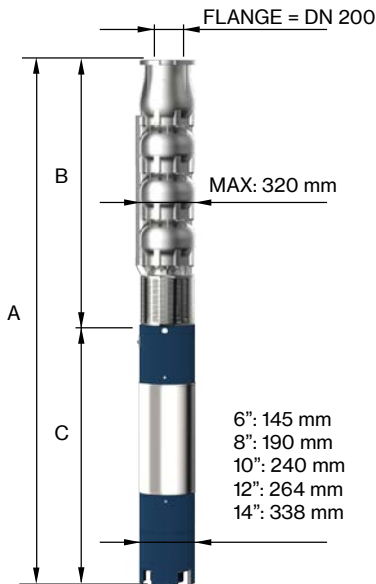
"D" Pump shaft in Duplex



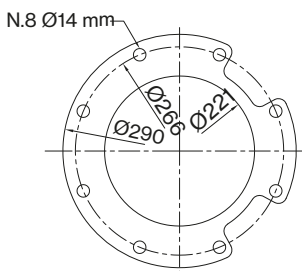
# 12LM 360



Motor 50 Hz - 2900 rpm				Q									
TYPE	Power		400 V	l/min	0	1500	4000	4500	5000	5500	6000	6500	7000
	HP	kW			A	l/sec	25,0	66,7	75,0	83,3	91,7	100,0	108,3
						m <sup>3</sup> /h	0	90	240	270	300	330	360
12LM 360/05 DR20 D	340	250	481,0	H[m]	245	240	233	225	218	210	200	188	170
12LM 360/05 DR10 D	400	300	551,0		275	270	253	248	240	233	220	210	200
12LM 360/05 D	450	330	620,0		310	305	273	265	260	258	250	233	210
12LM 360/06 DR10 D	500	370	693,0		330	324	304	298	288	280	264	252	240
12LM 360/06 D	550	400	798,0		372	366	328	318	312	310	300	280	252
12LM 360/07 DR10 D	550	400	798,0		385	378	354	347	336	326	308	294	280



Motor 50 Hz 2900 rpm	DIMENSIONS (mm)			Weight (kg)	
	TYPE	A	B	C	M
12LM 360/05 DR20 D	3970	1690	2280	775	179
12LM 360/05 DR10 D	3970	1690	2280	775	179
12LM 360/05 D	3850	1690	2160	906	179
12LM 360/06 DR10 D	4240	1920	2320	1010	204
12LM 360/06 D	4380	1920	2460	1105	204
12LM 360/07 DR10 D	4610	2150	2460	1105	229



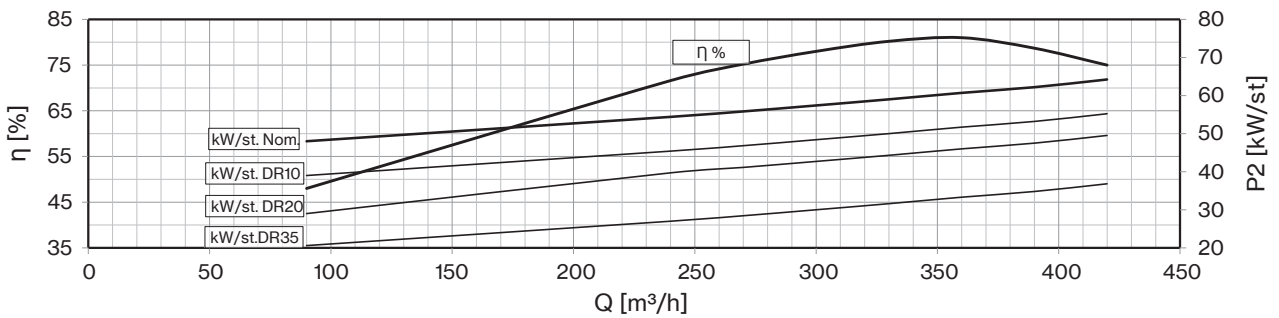
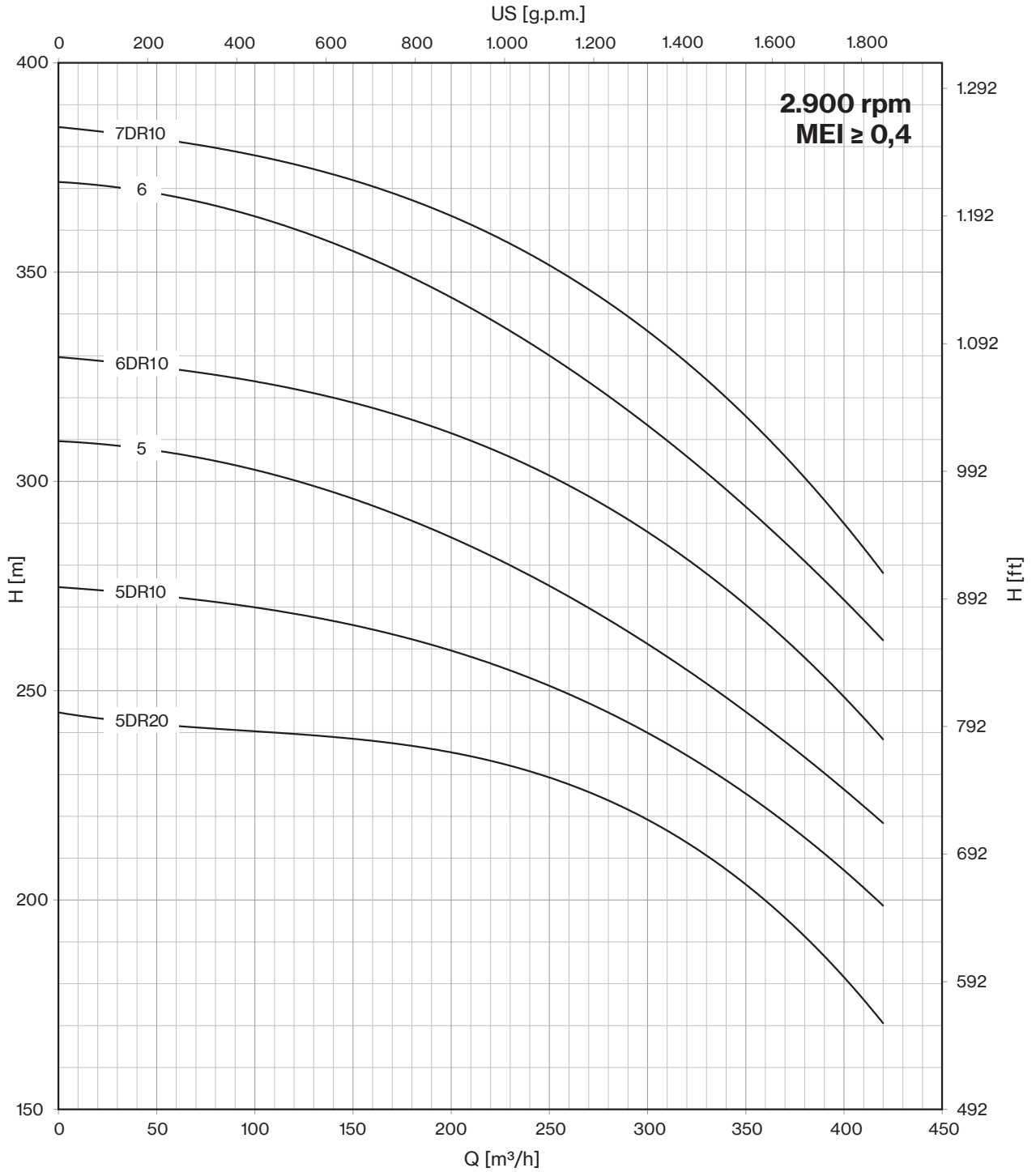
Max Eff. % DR35 =	77,5
Max Eff. % DR20 =	80
Max Eff. % DR10 =	80,5
Max Eff. % =	81
Max kW / St. DR35 =	36,80
Max kW / St. DR20 =	49,5
Max kW / St. DR10 =	55,2
Max kW / St. =	64,2

Q (flow)	25%	50%	75%	100%
NPSH (m)	3,4	5	7,8	11,8

FOR COMMERCIAL TUBE  
EXTERNAL DIAMETER: 219,1 mm

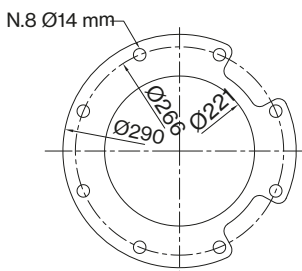
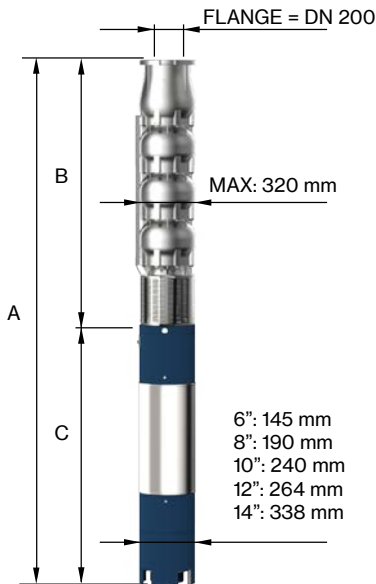


# 12LM 360





Motor 50 Hz - 2900 rpm				Q									
TYPE	Power		400 V	l/min l/sec m <sup>3</sup> /h	0	2000	6000	6500	7000	7500	8000	8500	9000
	HP	kW			A	0	33,3	100,0	108,3	116,7	125,0	133,3	141,7
					0	120	360	390	420	450	480	510	540
12LM 400/01 DR30	50	37	75,8	H[m]	43	42	32	30	27	24			
12LM 400/01 DR20	75	55	106,2		47	45	37	35	33	30	26	22	
12LM 400/01 DR10	75	55	106,2		53	52	42	40	38	36	32	28	
12LM 400/01	90	66	126,0		58	57	46	44	42	40	37	31	27
12LM 400/02 DR30	100	75	143,2		86	84	64	59	54	48			
12LM 400/02 DR20	125	92	175,1		94	90	73	69	65	59	52	44	
12LM 400/02 DR10 D	150	110	211,0		106	104	84	80	76	71	64	56	
12LM 400/02 D	175	130	245,3		116	114	92	88	84	80	73	62	54
12LM 400/03 DR20 D	200	150	277,2		141	135	110	104	98	89	78	66	
12LM 400/03 DR10 D	225	165	313,3		159	156	126	120	114	107	96	84	
12LM 400/03 D	250	185	342,2		174	171	138	132	126	120	110	93	81



FOR COMMERCIAL TUBE  
EXTERNAL DIAMETER: 219,1 mm

Motor 50 Hz 2900 rpm	DIMENSIONS (mm)			Weight (kg)	
TYPE	A	B	C	M	P
12LM 400/01 DR30	2111	770	1341	118	79
12LM 400/01 DR20	2003	770	1233	200	79
12LM 400/01 DR10	2003	770	1233	200	79
12LM 400/01	2072	770	1302	214	79
12LM 400/02 DR30	2383	1000	1383	230	104
12LM 400/02 DR20	2583	1000	1583	270	104
12LM 400/02 DR10 D	2733	1000	1733	300	104
12LM 400/02 D	2634	1000	1634	385	104
12LM 400/03 DR20 D	2964	1230	1734	415	129
12LM 400/03 DR10 D	3084	1230	1854	444	129
12LM 400/03 D	3214	1230	1984	480	129

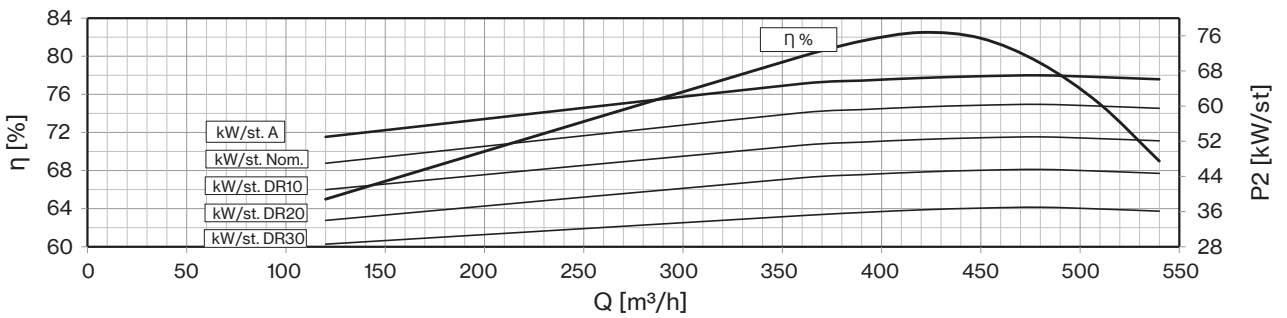
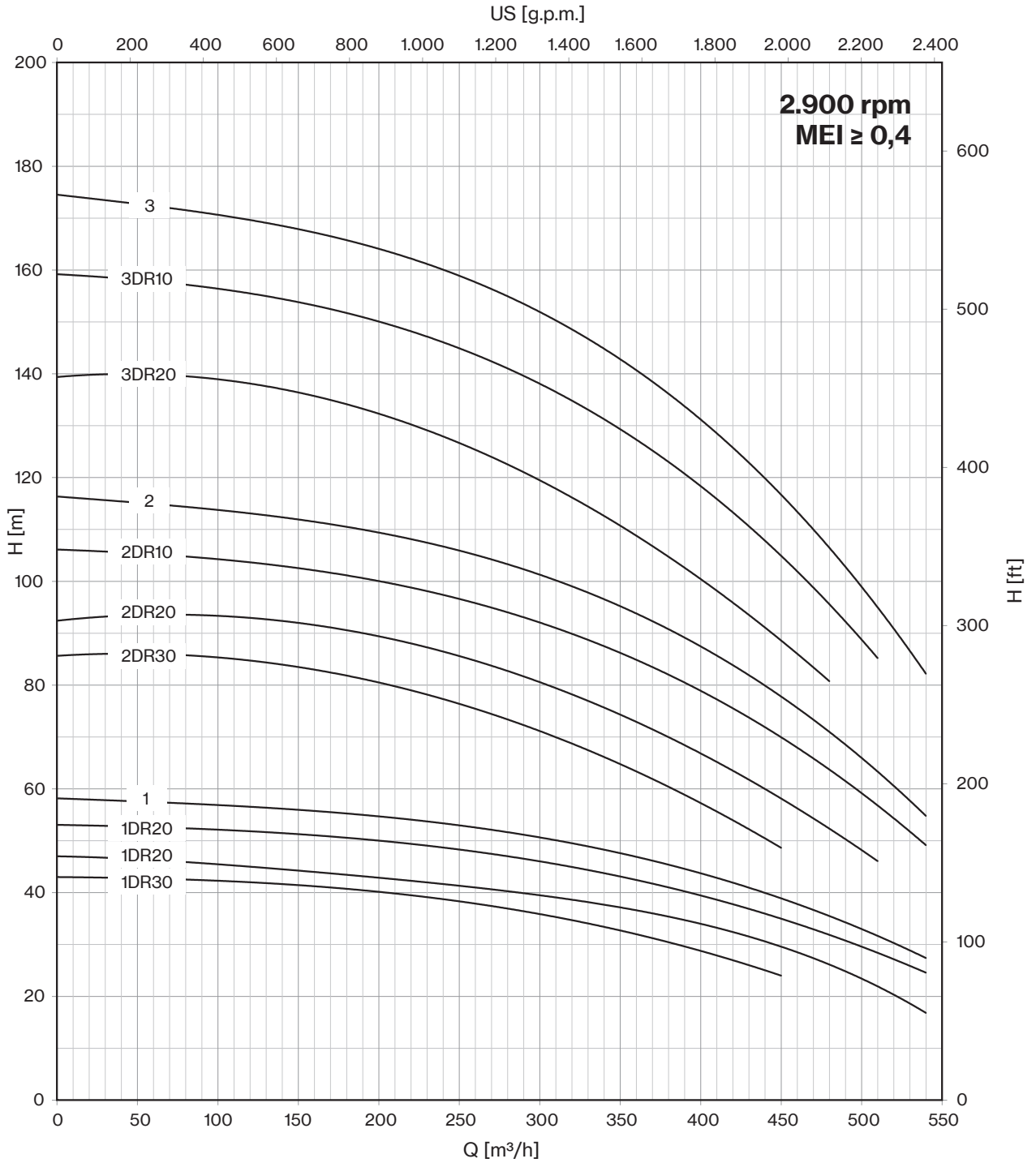
Max Eff. % DR30 =	81,2
Max Eff. % DR20 =	81,8
Max Eff. % DR10 =	82,7
Max Eff. % =	81,6
Max Eff. % A =	82,5
Max kW / St. DR30 =	37
Max kW / St. DR20 =	45,6
Max kW / St. DR10 =	53
Max kW / St. =	60,4
Max kW / St. A =	67

Q (flow)	25%	50%	75%	100%
NPSH (m)	3,4	5	7,8	11,8

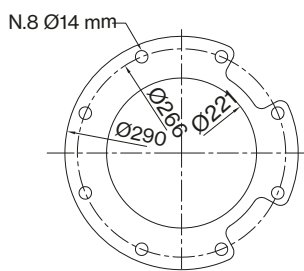
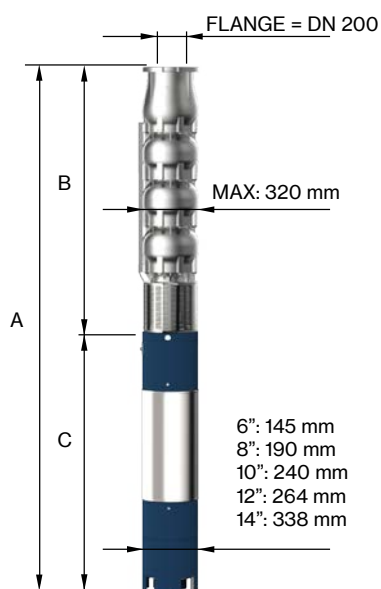
"D" Pump shaft in Duplex



# 12LM 400



Motor 50 Hz - 2900 rpm				Q									
TYPE	Power		400 V	l/min	0	2000	6000	6500	7000	7500	8000	8500	9000
	HP	kW		A	l/sec	0	33,3	100,0	108,3	116,7	125,0	133,3	141,7
			m <sup>3</sup> /h		0	120	360	390	420	450	480	510	540
12LM 400/04 DR20 D	250	185	342,2	H[m]	188	180	146	138	130	118	104	88	
12LM 400/04 DR10 D	300	220	430,0		212	208	168	160	152	142	128	112	
12LM 400/04 D	340	250	481,0		232	228	184	176	168	160	146	124	108
12LM 400/05 DR10 D	400	300	551,0		265	260	210	200	190	178	160	140	
12LM 400/05 D	450	330	620,0		290	285	230	220	210	200	183	155	135
12LM 400/05 A D	500	370	693,0		305	300	250	240	230	223	205	195	160
12LM 400/06 D	500	370	693,0		348	342	276	264	252	240	220	186	162



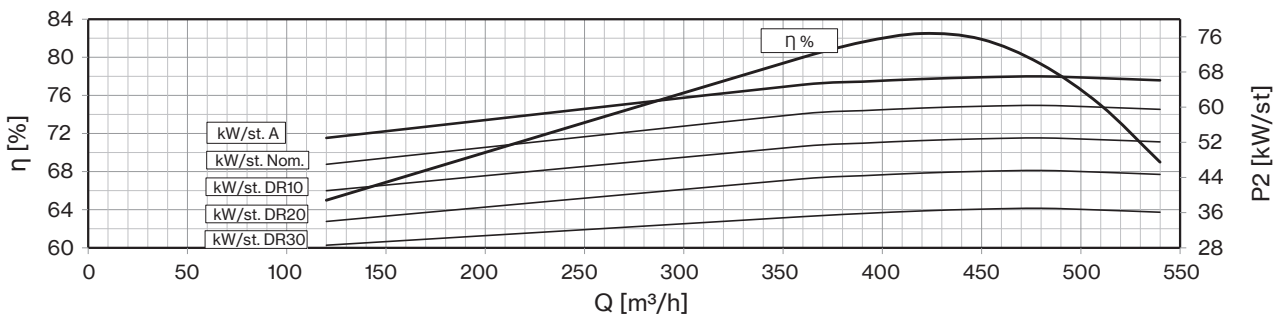
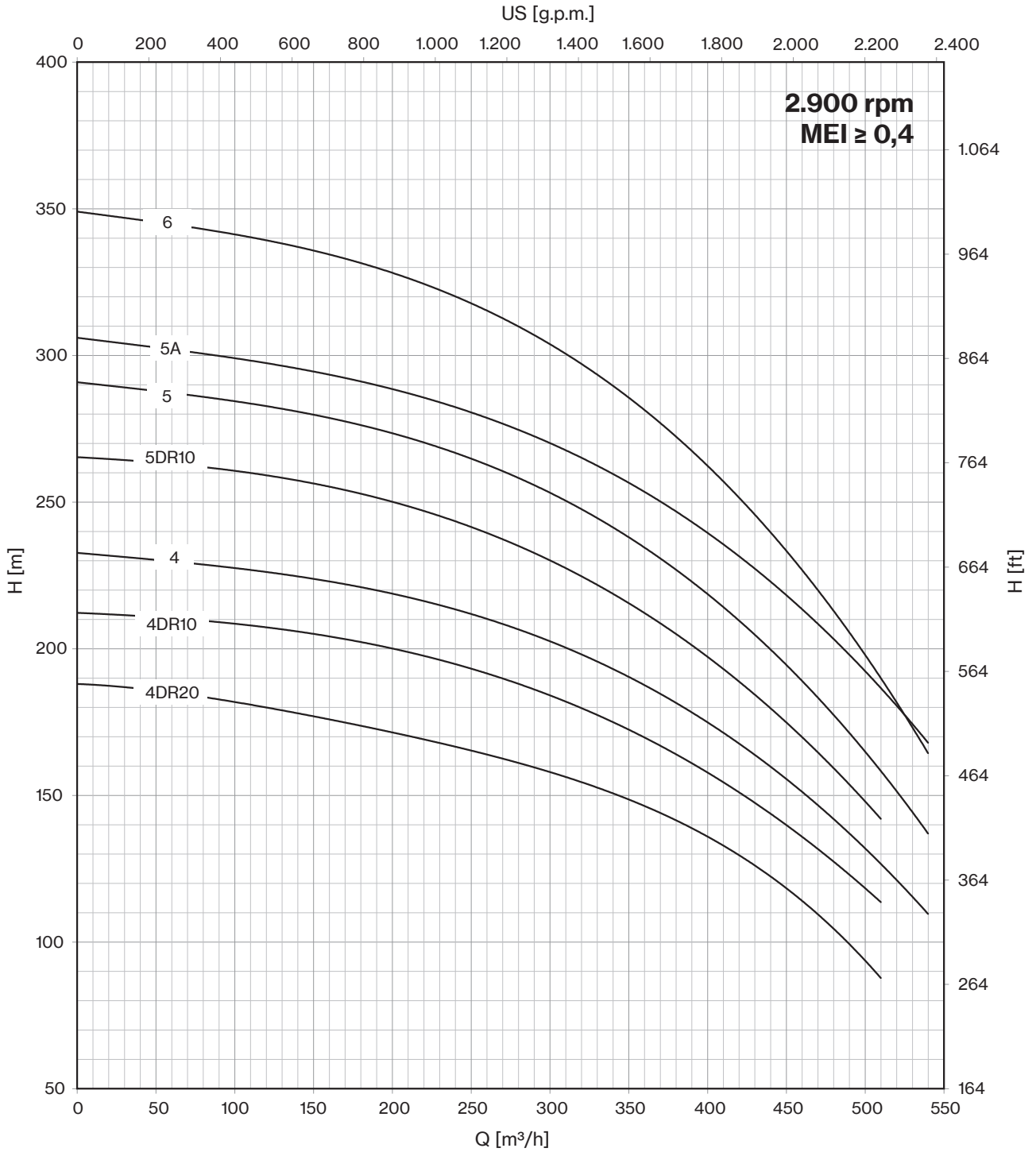
FOR COMMERCIAL TUBE  
EXTERNAL DIAMETER: 219,1 mm

Motor 50 Hz 2900 rpm	DIMENSIONS (mm)			Weight (kg)	
TYPE	A	B	C	M	P
12LM 400/04 DR20 D	3444	1460	1984	480	154
12LM 400/04 DR10 D	3570	1460	2110	700	154
12LM 400/04 D	3740	1460	2280	775	154
12LM 400/05 DR10 D	3970	1690	2280	775	179
12LM 400/05 D	3850	1690	2160	906	179
12LM 400/05 A D	4010	1690	2320	1010	179
12LM 400/06 D	4240	1920	2320	1010	204

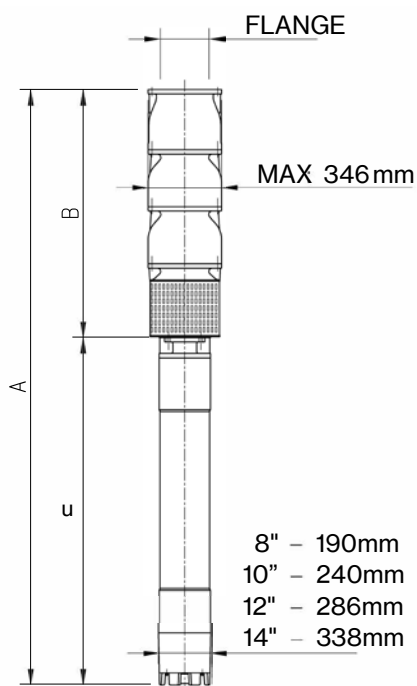
Max Eff. % DR30 =	81,2
Max Eff. % DR20 =	81,8
Max Eff. % DR10 =	82,7
Max Eff. % =	81,6
Max Eff. % A =	82,5
Max kW / St. DR30 =	37
Max kW / St. DR20 =	45,6
Max kW / St. DR10 =	53
Max kW / St. =	60,4
Max kW / St. A =	67

Q (flow)	25%	50%	75%	100%
NPSH (m)	3,4	5	7,8	11,8

# 12LM 400

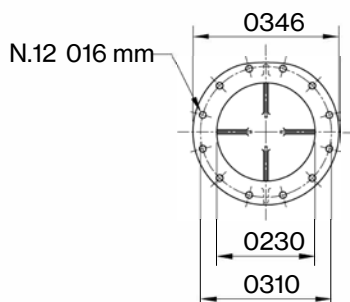


Motor 50 Hz - 2900 rpm				Q									
TYPE	Power		400 V	I/min	0	1333	2667	4000	5333	6667	8000	8500	9667
	HP	kW		A	I/sec	0	22,2	44,5	66,7	88,9	111,1	133,3	141,8
			m <sup>3</sup> /h		0	80	160	240	320	400	480	510	580
E 14 A/1 D	90	66	126,0	H[m]	71,8	66,5	62,5	58,7	54,4	49,0	41,6	38,2	
E 14 A/1 C	100	75	143,2		76,8	71,7	67,5	63,8	59,6	54,6	47,9	45,0	39,0
E 14 A/1 B	125	92	175,1		85,1	79,9	75,6	71,8	67,8	63,3	57,7	55,1	48,2
E 14 A/1 A	150	110	211,0		97,1	90,8	85,5	80,4	75,6	70,7	65,4	63,0	57,6
E 14 A/1	175	130	245,3		108,6	99,3	92,3	87,0	82,5	78,0	73,0	70,8	64,1
E 14 A/2 D	175	130	245,3		143,5	133,0	125,0	117,4	108,8	98,0	83,2	76,4	
E 14 A/2 C	200	150	277,2		153,6	143,4	135,0	127,6	119,1	109,1	95,8	90,0	78,0
E 14 A/2 B	250	185	342,2		170,2	159,8	151,2	143,6	135,6	126,5	115,4	110,2	96,4
E 14 A/2 A	300	220	430,0		194,3	181,6	171,0	160,8	151,2	141,4	130,8	126,0	115,2
E 14 A/2	340	250	481,0		217,3	198,6	184,6	174,0	165,0	156,0	146,0	141,6	128,2



Motor 50 Hz 2900 rpm	DIMENSIONS (mm)			Weight (kg)	
TYPE	A	B	C	M	P
E 14 A/1 D	2237	935	1302	214	184
E 14 A/1 C	2318	935	1383	230	184
E 14 A/1 B	2518	935	1583	270	184
E 14 A/1 A	2668	935	1733	300	184
E 14 A/1	2569	935	1634	385	184
E 14 A/2 D	2809	1175	1634	385	260
E 14 A/2 C	2909	1175	1734	415	260
E 14 A/2 B	3159	1175	1984	480	260
E 14 A/2 A	3285	1175	2110	700	260
E 14 A/2	3455	1175	2280	775	260

Max Eff. % =	82,3
Max KW / St.: D = - D.230mm =	64,9
Max KW / St.: C = - D.238mm =	74,0
Max KW / St.: B = - D.251mm =	90,8
Max KW / St. A = - D.268mm =	109,1
Max KW / St. - D.276mm =	119,3

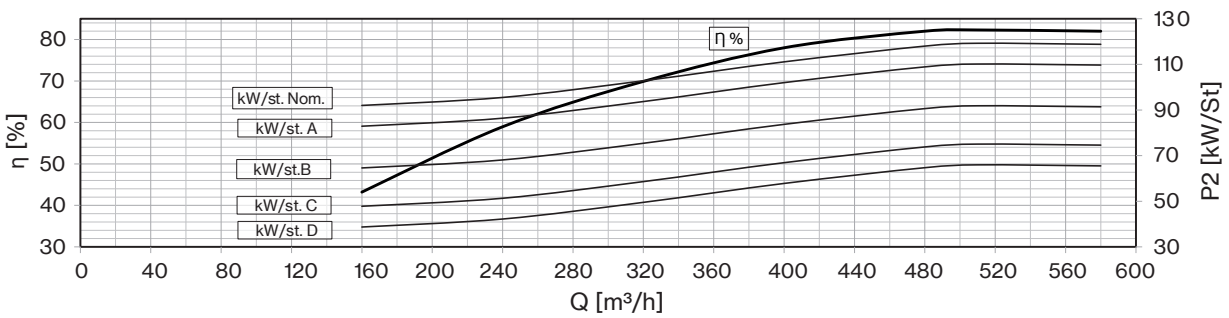
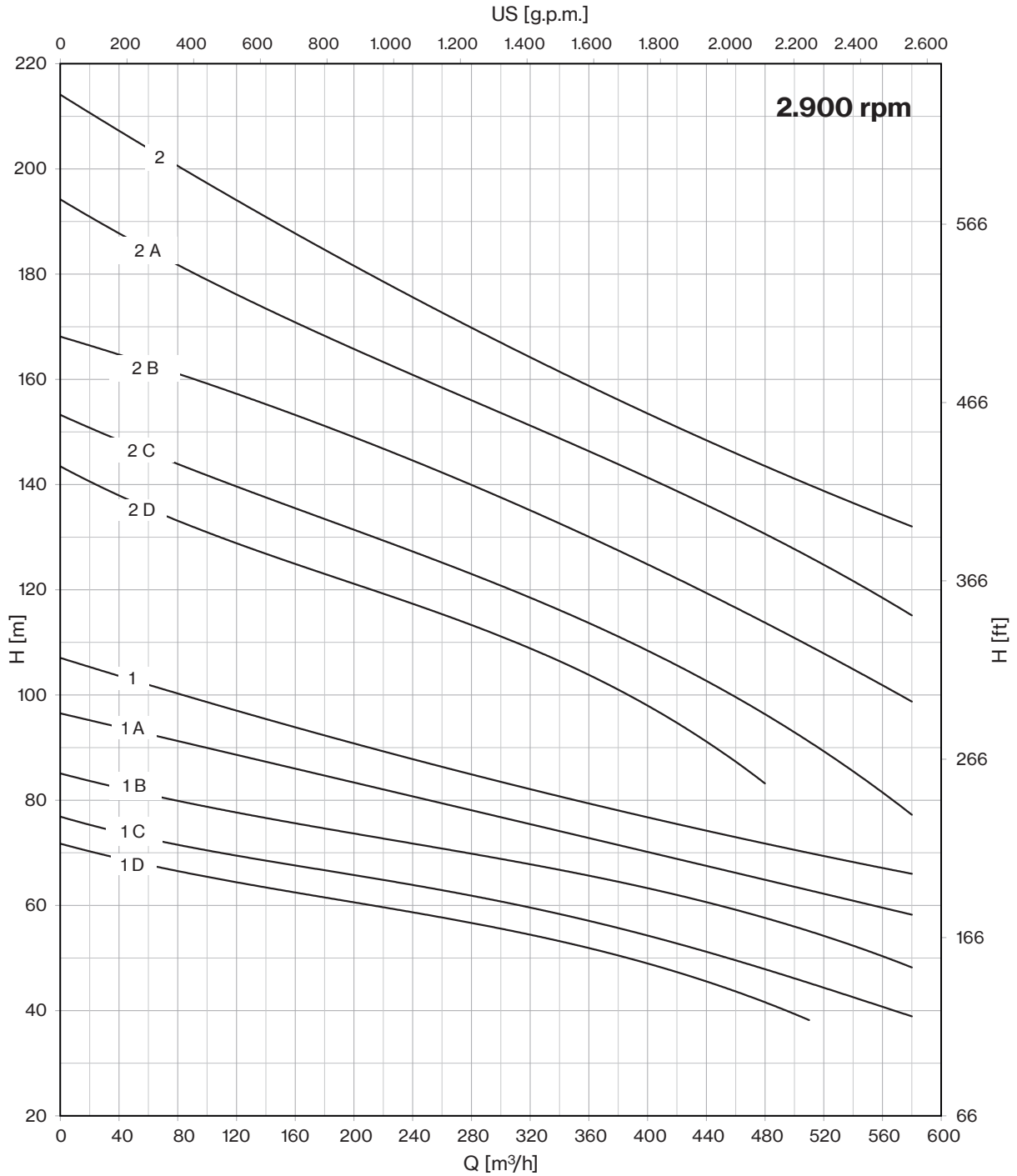


Q (flow)	25%	50%	75%	100%
NPSH (m)	5,8	6,4	9,4	15,3

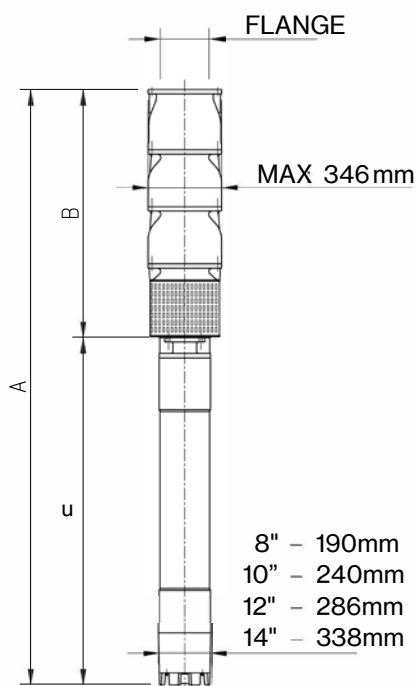
"D" Pump shaft in Duplex



# E14 A

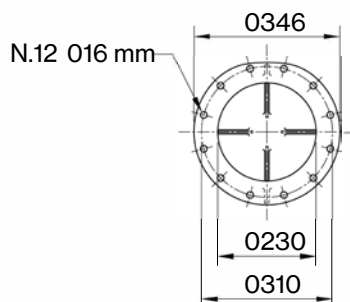


Motor 50 Hz - 2900 rpm				Q									
TYPE	Power		400 V	I/min	0	1333	4000	5333	6667	9000	10000	12500	14333
	HP	kW		A	I/sec	0	22,2	66,7	88,9	111,1	150,0	166,7	208,3
			m <sup>3</sup> /h		0	80	240	320	400	540	600	750	860
E 14 B/1 C	125	92	175,1	H[m]	73,5	72,5	68,0	63,5	57,8	44,0	36,5	14,0	
E 14 B/1 B	150	110	211,0		80,4	79,5	75,0	71,5	66,0	53,5	46,7	26,5	
E 14 B/1 A	175	130	245,3		87,0	84,0	79,0	77,0	73,8	66,0	61,5	45,5	29,0
E 14 B/1	200	150	277,2		100,8	97,4	90,4	86,9	82,9	74,2	69,0	53,9	38,4
E 14 B/2 C	250	185	342,2		147,0	145,0	136,0	127,0	115,6	88,0	73,0	28,0	
E 14 B/2 B	300	220	430,0		160,7	159,0	150,0	143,0	132,0	107,0	93,4	53,0	
E 14 B/2 A	400	300	551,0		174,0	168,0	158,0	154,0	147,6	132,0	123,0	91,0	58,0
E 14 B/2	400	300	551,0		201,6	194,8	180,8	173,8	165,8	148,4	138,0	107,8	76,8



Motor 50 Hz 2900 rpm	DIMENSIONS (mm)			Weight (kg)	
TYPE	A	B	C	M	P
E 14 B/1 C	2488	905	1583	270	184
E 14 B/1 B	2638	905	1733	300	184
E 14 B/1 A	2539	905	1634	385	184
E 14 B/1	2639	905	1734	415	184
E 14 B/2 C	3159	1175	1984	480	260
E 14 B/2 B	3285	1175	2110	700	260
E 14 B/2 A	3455	1175	2280	775	260
E 14 B/2	3455	1175	2280	775	260

Max Eff. % =	78,6
Max KW / St.: C - D.240mm =	91,8
Max KW / St.: B - D.250mm =	109,7
Max KW / St. A. - D.259mm =	129,6
Max KW / St. - D.274mm =	149,6

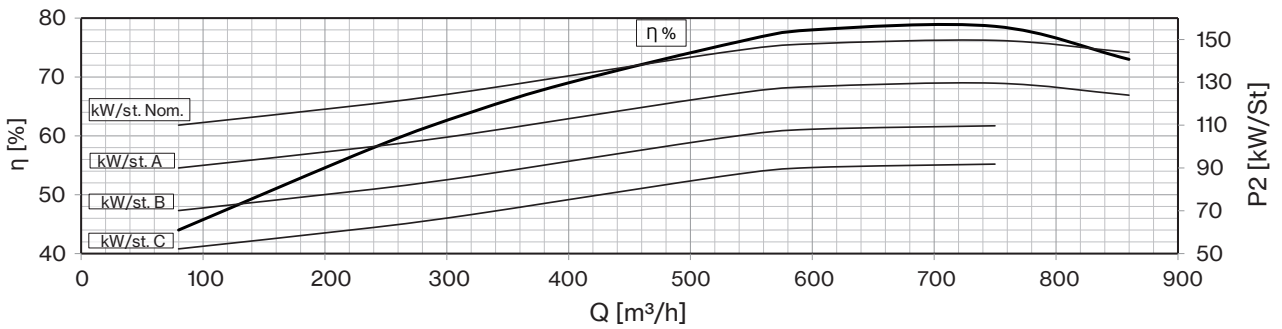
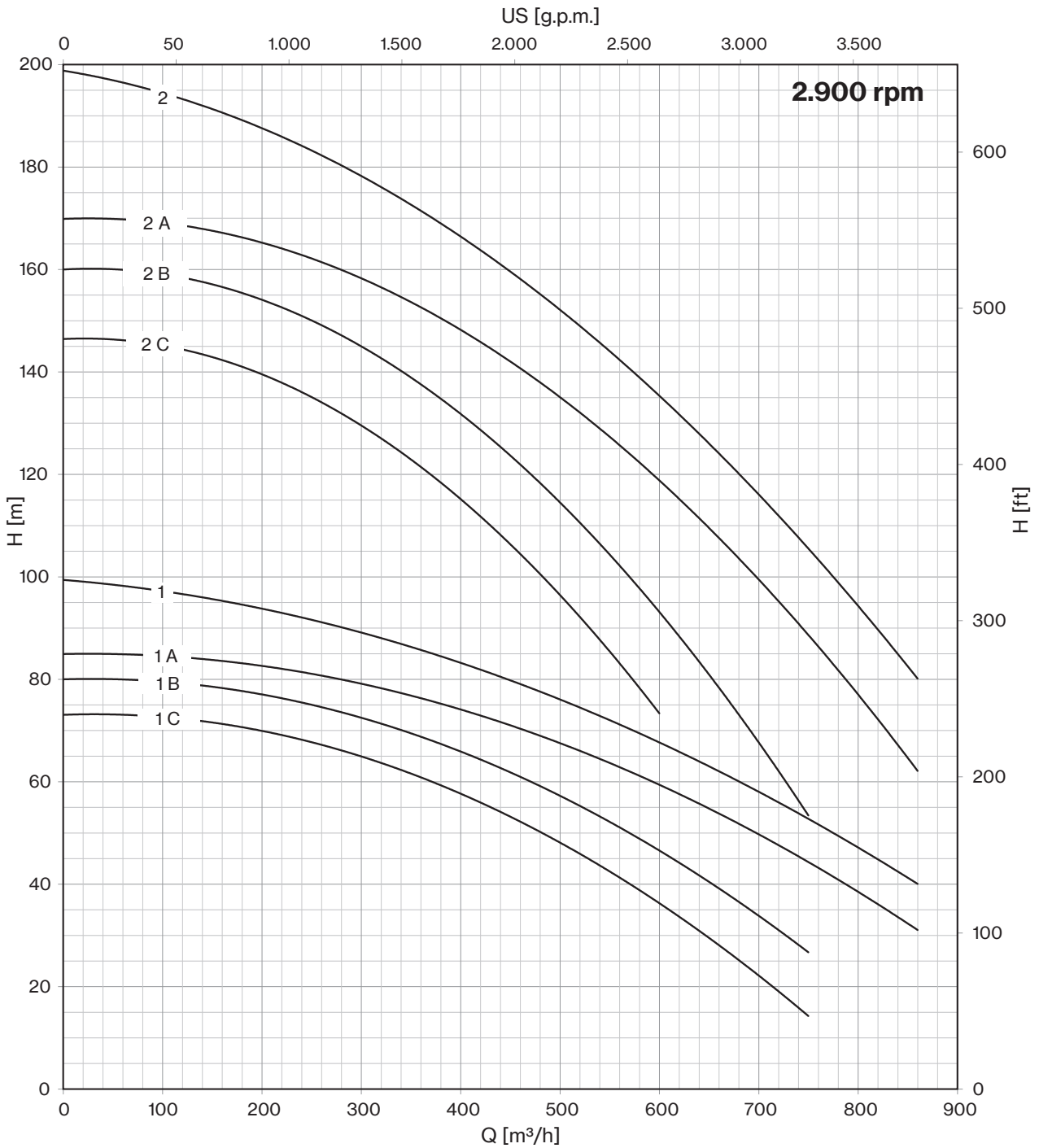


Q (flow)	25%	50%	75%	100%
NPSH (m)	6	6,4	8,6	16,3

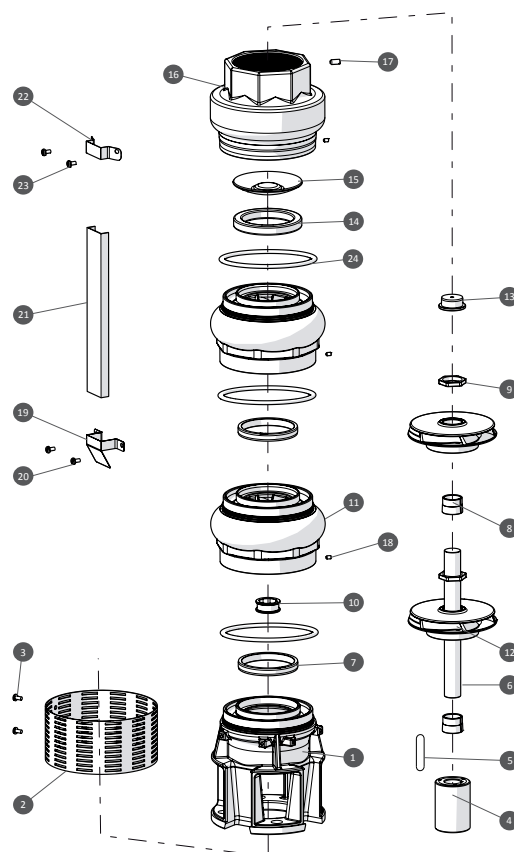
"D" Pump shaft in Duplex



# E14 B



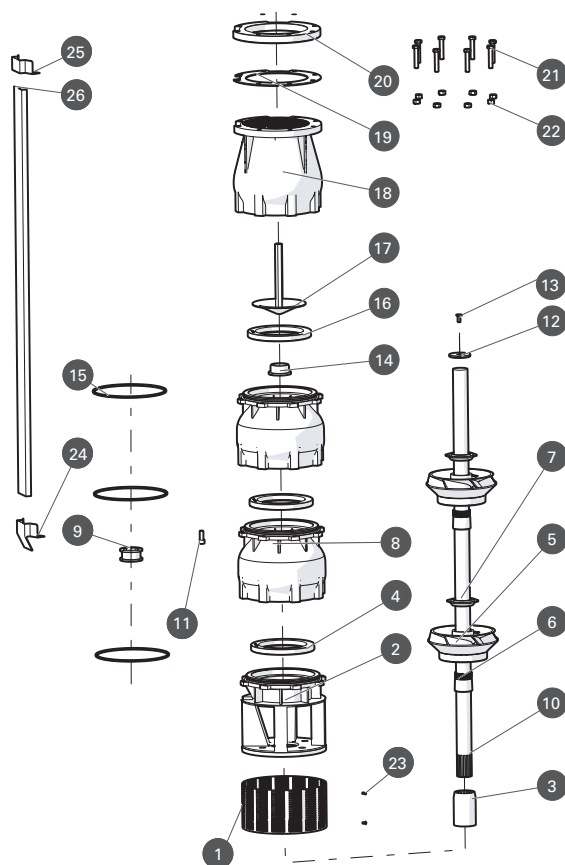




N. CODE	DESCRIPTION	LRS EXECUTION	LRX EXECUTION	LRD EXECUTION	(*) Q.TY
1	Motor bracket	AISI 304	AISI 316	Duplex	-
2	Suction strainer	AISI 304	AISI 316	Duplex	-
3	M4x8 screws for strainer	AISI 304	AISI 316	Duplex	-
4	Coupling	AISI 304	AISI 316	Duplex	1
5	Key	AISI 304	AISI 316	Duplex	1
6	Pump shaft	AISI 304	AISI 316	Duplex	1
7	Impeller wear ring	NBR	NBR	NBR	N° of St.
8	Conic collar	AISI 304	AISI 316	Duplex	N° of St.
9	Conic collar nut	AISI 304	AISI 316	Duplex	N° of St.
10	Diffuser bush bearing	NBR	NBR	NBR	N° of St.
11	Diffuser	AISI 304	AISI 316	Duplex	-
12	Impeller	AISI 304	AISI 316	Duplex	N° of St.
13	Reverse thrust ring	PTFE+25% CARBONE / Graphite	PTFE+25% CARBONE / Graphite	PTFE+25% CARBONE / Graphite	1
14	NRV gasket	NBR	NBR	NBR	1
15	Valve plate	AISI 304	AISI 316	Duplex	-
16	Delivery pump body	AISI 304	AISI 316	Duplex	-
17	Delivery body locking screw	AISI 304	AISI 316	Duplex	1
18	Diffuser locking screw	AISI 304	AISI 316	Duplex	N° of St.
19	Bottom cable guard clamp	AISI 304	AISI 316	Duplex	-
20	Bottom cable guard screws M4x8	AISI 304	AISI 316	Duplex	-
21	Cable guard	AISI 304	AISI 316	Duplex	-
22	Upper cable guard clamp	AISI 304	AISI 316	Duplex	-
23	Upper cable guard screws M4x8	AISI 304	AISI 316	Duplex	-
24	O-Ring	NBR	NBR	NBR	N° of St.

\* Recommended spare parts quantity

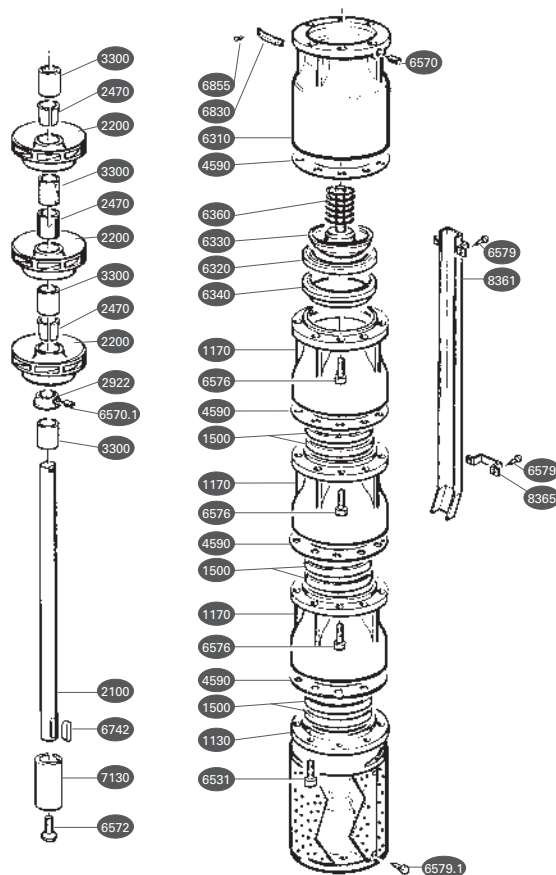
# 6LM - 8LM - 10LM - 12LM



N. CODE	DESCRIPTION	LMS EXECUTION	LMX EXECUTION	LMD EXECUTION	(*) Q.TY
1	Suction strainer	AISI 304	AISI 316	Duplex	-
2	Suction cage	AISI 304	AISI 316	Duplex	-
3	Joint	AISI 304	AISI 316	Duplex	1
4	Usury ring	NBR	NBR	NBR	N° of St.
5	Impeller	AISI 304	AISI 316	Duplex	-
6	Cone	AISI 304	AISI 316	Duplex	N° of St.
7	Hexagonal ring	AISI 304	AISI 316	Duplex	N° of St.
8	Diffuseur	AISI 304	AISI 316	Duplex	-
9	Bearing bush	NBR	NBR	NBR	N° of St.
10	Pump shaft	AISI 304	AISI 316	Duplex	1
11	N.8 Screw for diffuseur	AISI 304	AISI 316	Duplex	-
12	Ring	AISI 304	AISI 316	Duplex	1
13	Screw for disk	AISI 304	AISI 316	Duplex	1
14	Counterthrust	PTFE + 25% CARBON	PTFE + 25% CARBON	PTFE + 25% CARBON	1
15	O-Ring	NBR	NBR	NBR	N° of St.
16	Gasket valve	NBR	NBR	NBR	1
17	Cap valve	AISI 304	AISI 316	Duplex	-
18	Body valve	AISI 304	AISI 316	Duplex	-
19	Seal counterflange	NBR	NBR	NBR	1
20	Counterflange	AISI 304	AISI 316	Duplex	-
21	N.8 Screw for counterflange	AISI 304	AISI 316	Duplex	-
22	N.8 Nut for counterflange	AISI 304	AISI 316	Duplex	-
23	N.2 Screw for suction strainer	AISI 304	AISI 316	Duplex	-
24	Lower clamp	AISI 304	AISI 316	Duplex	-
25	Upper clamp	AISI 304	AISI 316	Duplex	-
26	Cover cable	AISI 304	AISI 316	Duplex	-

\* Recommended spare parts quantity





N. CODE	DESCRIPTION	MATERIAL	(*) Q.TY
1130	<b>Support</b>	Cast iron	
1170	<b>Diffuser</b>	Cast iron	
1170.1	<b>Lat Diffuser</b>	Cast iron	
1500	<b>Wear ring</b>	Rubber	1 x stage
2100	<b>Shaft</b>	Stainless steel	
2200	<b>Impeller</b>	Cast iron	1 x stage
2470	<b>Bushing</b>	Steel	1 x stage
2922	<b>Sandguard</b>	Brass	
3300	<b>Bearing</b>	Steel - rubber	1 x stage
4590	<b>Gland</b>	Guarnital	1 x stage
6310	<b>Valve body</b>	Valve body / Cast Iron	
6320	<b>Valve housing</b>	Rubber	
6330	<b>Washer</b>	Stainless steel	
6340	<b>Housing ring</b>	Cast iron	
6360	<b>Spring</b>	Stainless steel	
6531	<b>Strainer</b>	Stainless steel	
6570	<b>Screw</b>	Stainless steel	
6570.1	<b>Screw</b>	Stainless steel	
6572	<b>Screw</b>	Stainless steel	
6576	<b>Screw</b>	Stainless steel	
6579	<b>Screw</b>	Stainless steel	
6579.1	<b>Screw</b>	Stainless steel	
6742	<b>Key</b>	Stainless steel	
6830	<b>Label</b>	Stainless steel	
6855	<b>Pin</b>	Stainless steel	
7130	<b>Joint</b>	Stainless steel	
8361	<b>Sheat</b>	Stainless steel	
8365	<b>Cable guard clamp</b>	Stainless steel	

\* Recommended spare parts quantity







# DEEPWELL BOREHOLE MOTORS

# DEEPWELL BOREHOLE MOTORS

4MPE/6MPE



4MPC/6MPC



6R/8R/10R



PTR12/PTR14

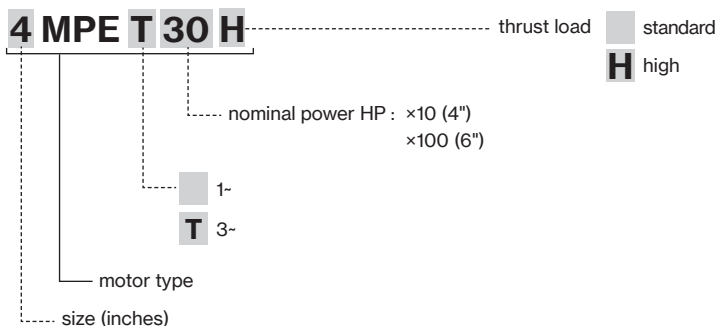
Line of motors for submersible electric pumps, available with different construction technologies and available in sizes 4", 6", 8", 10", 12" and 14".

# 4MPE/6MPE

4" and 6" rewindable oil filled submersible motors characterized by high torque, strong mechanical structure, high reliability. Suitable for vertical and horizontal operations.

## Construction features

<b>Upper support</b>	nickel plated cast iron
<b>External jacket, shaft and cup</b>	stainless steel
<b>Mechanical seal</b>	ceramic-graphite
<b>Ball bearings</b>	axial and radial oil lubricated
<b>Number of startups/hr</b>	max 30
<b>Coolant</b>	non-toxic dielectric lubricant
<b>Cable</b>	1,75 to 4 m according to motor size (3 wires + ground)
<b>Shaft extension and coupling</b>	NEMA standard
<b>Voltage</b>	1~ 220/230V - 50Hz 3~ 380/415V - 50Hz
<b>Insulation class</b>	F
<b>Protection degree</b>	IP68
<b>Max liquid temperature</b>	35° C
<b>Max depth immersion</b>	150 m



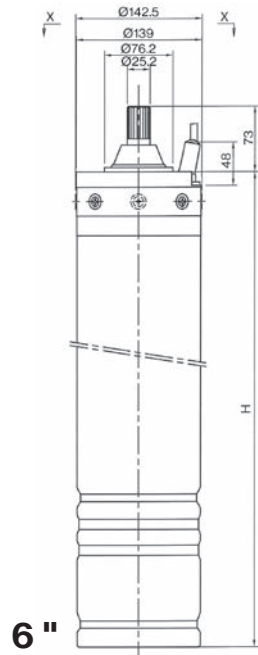
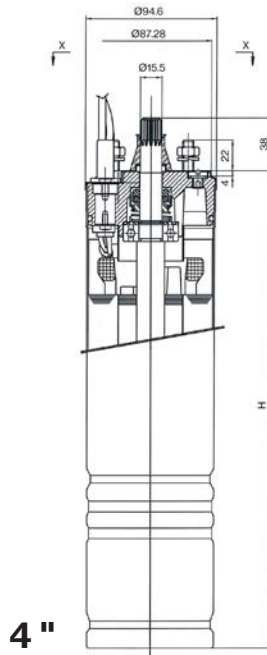
4MPE



6MPE



# 4MPE/6MPE



TYPE 230V/50Hz 1-	Power		Thrust Load N	I <sub>N</sub> A	I <sub>START</sub> A	EFF% %	COS φ	T <sub>s</sub> / T <sub>N</sub>	H mm	Weight Kg	C μF	CABLE	
	HP	kW										Lenght m	Size mm <sup>2</sup>
4MPE 5	0,5	0,37	1500	3,4/3,6	10,8	53	0,94	1	325	7	20	1,75	1,5
4MPE 7	0,75	0,55		4,2/4,5	13,9	60	0,92	0,87	325	7,6	25		
4MPE10	1	0,75		5,6/6	18,5	62	0,92	0,7	350	8,7	35		
4MPE15	1,5	1,1		7,8/8,2	23	66	0,92	0,5	385	10,3	40		
4MPE20	2	1,5		10,8/11	38,7	68	0,88	0,55	420	12	50		
4MPE30	3	2,2		14,6/14,8	43,5	69	0,94	0,48	470	14,2	70		
4MPE30H	3	2,2	7500	14,6/14,8	43,5	69	0,94	0,48	520	15,5	70	2,5	

TYPE 230V/50Hz 3-	Power		Thrust Load N	I <sub>N</sub> A	I <sub>START</sub> A	EFF% %	COS φ	T <sub>s</sub> / T <sub>N</sub>	H mm	Weight Kg	CABLE	
	HP	kW									Lenght m	Size mm <sup>2</sup>
4MPET 5	0,5	0,37	1500	1,3/1,6	6,2	60	0,72	2,9	325	6,5	1,75	1,5
4MPET 7	0,75	0,55		1,9/2	8,5	62	0,71	3,1	325	7		
4MPET 10	1	0,75		2,4/2,6	10,9	66	0,71	3,1	325	7,6		
4MPET 15	1,5	1,1		3,2/3,4	14	73	0,7	3,2	350	8,7		
4MPET 20	2	1,5		4,4/4,6	17	73	0,7	3,1	385	10,4		
4MPET 30	3	2,2		5,8/6,2	25	75	0,78	3,1	420	12		
4MPET 30H	3	2,2	7500	5,8/6,2	25	75	0,78	3,1	470	14,2	2,5	1,5
4MPET 40	4	3	2500	7,6/7,8	35	74	0,81	2,8	418	12,8		
4MPET 42	4	3	5000	7,6/7,8	34	74	0,81	2,8	418	13,1		
4MPET 42H	4	3	7500	7,9/8	34	77	0,75	3	550	19		
4MPET 55	5,5	4	2500	9,8/9,9	49	76	0,82	3	468	15,3		
4MPET 57	5,5	4	5000	9,8/9,9	49	76	0,82	3	468	15,6		
4MPET 57H	5,5	4	7500	10/10,2	51	76	0,79	3,2	580	20,5	3	
4MPET 75	7,5	5,5	2500	13,5/13,8	57	78	0,85	3	538	18,6		
4MPET 77	7,5	5,5	5000	13,5/13,8	57	78	0,85	3	538	18,9		
4MPET 77H	7,5	5,5	7500	14,5/14,7	58	76	0,72	3,1	650	22,4	4	2
4MPET 100H	10	7,5	7500	19/19,5	77	79	0,8	3,2	810	27		

TYPE 230V/50Hz 3-	Power		Thrust Load N	I <sub>N</sub> A	I <sub>START</sub> A	EFF% %	COS φ	T <sub>s</sub> / T <sub>N</sub>	H mm	Weight Kg	CABLE	
	HP	kW									Lenght m	Size mm <sup>2</sup>
6MPET 55	5,5	4	10000	8,8	45	76	0,82	2,4	540	32	2,8	4
6MPET 75	7,5	5,5		12,5	64	78	0,82	3	570	40		
6MPET 100	10	7,5		16,9	78	77	0,82	2,5	600	42		
6MPET 125	12,5	9,2		21,5	95	80	0,81	2,4	600	45		
6MPET 150	15	11		23,7	121	83	0,83	2,4	700	48		
6MPET 175	17,5	12,8		27,8	145	82	0,84	2,4	700	50		
6MPET 200	20	15		30,4	160	82	0,85	2,5	760	54		
6MPET 250	25	18,5		38,3	225	82	0,85	2,1	830	65		
6MPET 300	30	22	20000	44	250	83	0,86	2	890	70	8	
6MPET 400	40	30		62	330	86	0,86	2	1030	90		
6MPET 500	50	37		72	400	86	0,87	2	1170	101		





TYPE	P2		PROTECTION		CONTROL PANEL	
	HP	kW	1~	3~	1~	3~
4MPE 5	0,5	0,37	PML 5/20-4	PT 7/1,3-2,1	EQSM + 20µF	EQSMT 10
4MPE 7	0,75	0,55	PML 7/25-6	PT 7/1,3-2,1	EQSM + 25µF	EQSMT 10
4MPE 10	1	0,75	PML 10/35-7	PT 10/1,9-3	EQSM + 35µF	EQSMT 10
4MPE 15	1,5	1	PML 15/40-10	PT 15-20/2,9-4,5	EQSM + 40µF	EQSMT 10
4MPE 20	2	1,5	PML 20/50-13	PT 20/30-40/4,3-6,8	EQSM + 50µF	EQSMT 10
4MPE 30	3	2,2	PML 30/80-18	PT 20/30-40/4,3-6,8	EQSM + 80µF	EQSMT 10
4MPE 40*	4	3	-	PT 40-50/5,7-9,1	-	EQSMT 10
4MPE 55*	5,5	4	-	PT 55-75/8,6-13,5	-	EQSMT 10
4MPE 75*	7,5	5,5	-	PT 100/12,5-16,5	-	EQSMT 10
4MPE 100*	10	7,5	-	PT 125-150/16-21	-	EQSMT 15

\*Only 3~

TYPE	P2		PROTECTION 3~	CONTROL PANEL 3~	CONTROL PANEL star-delta starting 400/690 V
	HP	kW			
6MPET 55	5,4	4	PT 55-75/8,6-13,5	EQSMT 10	QST 5
6MPET 75	7,5	5,5	PT 100/12,5-16,5	EQSMT 10	QST 7
6MPET 100	10	7,5	PT 125-150/16-21	EQSMT 10	QST 10
6MPET 125	12,5	9,2	PT 200/22-29	EQSMT 15	QST 15
6MPET 150	15	11	PT 200/22-29	EQSMT 15	QST 15
6MPET 175	17,5	13	-	EQSMT 20	QST 20
6MPET 200	20	15	-	EQSMT 20	QST 20
6MPET 250	25	18,5	-	-	QST 30
6MPET 300	30	22	-	-	QST 30
6MPET 400	40	30	-	-	QST 50
6MPET 500	50	37	-	-	QST 60

# 4MPC/6MPC

Deepwell Motors

4" and 6" rewindable oil filled submersible motors characterized by high torque, strong mechanical structure, high reliability. Suitable for vertical and horizontal operations.



4MPC

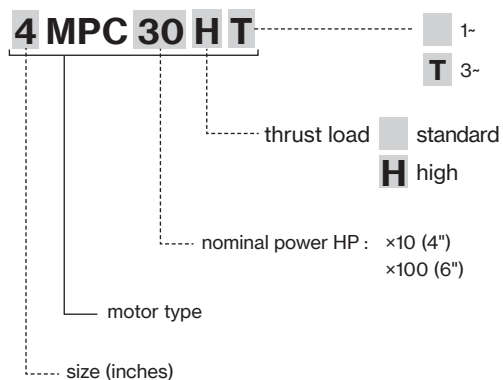


6MPC



## Construction features

<b>Upper support</b>	cast iron and stainless steel
<b>External jacket, shaft and cup</b>	stainless steel
<b>Mechanical seal</b>	ceramic-graphite
<b>Ball bearings</b>	axial and radial oil lubricated
<b>Number of startups/hr</b>	4": max 30 6": max 20
<b>Coolant</b>	non-toxic dielectric lubricant
<b>Cable</b>	1,5 m (4" 0,37-2,2 kW) 2,5 m (4" 3,0-5,5 kW) 3,5 m (4" 7,5 kW) 4m (6" 4-30 kW)
<b>Shaft extension and coupling</b>	NEMA standard
<b>Voltage</b>	1- 220/230V - 50Hz 3- 380/415V - 50Hz
<b>Insulation class</b>	F
<b>Protection degree</b>	IP68
<b>Max liquid temperature</b>	30° C
<b>Max depth immersion</b>	4": 250m 6": 350m



TYPE 230V/50Hz 1-	Volt V	Power		I <sub>N</sub> A	I <sub>START</sub> A	R.p.m.	EFF% %	COS φ	T <sub>s</sub> /T <sub>N</sub>	C μF
		HP	kW							
4MPC 5	220	0,50	0,37	3,4	11,56	2830	53	0,95	0,94	20
	230			3,5	11,90	2845	51	0,91	1,05	20
4MPC 7	220	0,75	0,55	4,5	15,75	2830	59	0,95	0,79	25
	230			4,7	16,45	2845	57	0,91	0,88	25
4MPC 10	220	1,0	0,75	5,7	20,52	2830	63	0,96	0,82	35
	230			5,8	20,30	2845	61	0,92	0,88	35
4MPC 15	220	1,5	1,1	8,3	27,39	2810	64	0,95	0,68	40
	230			8,6	27,52	2830	62	0,90	0,75	40
4MPC 20	220	2,0	1,5	10,5	34,65	2810	67	0,97	0,63	50
	230			10,7	36,38	2820	65	0,93	0,70	50
4MPC 30	220	3,0	2,2	14,8	81,40	2810	71	0,98	0,67	80
	230			14,5	79,75	2830	70	0,96	0,73	80
4MPC 30H	220	3,0	2,2	14,8	81,40	2810	71	0,98	0,67	80
	230			14,5	79,75	2830	70	0,96	0,73	80
4MPC 50	220	5,0	3,7	23,1	97,02	2910	76	0,97	0,91	130+178
	230			23,9	102,77	2920	73	0,93	1,01	130+178

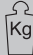
TYPE 380-400-415V/50Hz 3-	Volt V	Power		I <sub>N</sub> A	I <sub>START</sub> A	R.p.m.	EFF% %	COS φ	T <sub>s</sub> /T <sub>N</sub>
		HP	kW						
4MPC 5T	380	0,50	0,37	1,35	4,725	2790	51	0,83	1,7
	400			1,35	4,995	2820	51	0,79	1,9
	415			1,35	5,265	2835	50	0,76	2,0
4MPC 7T	380	0,75	0,55	1,85	6,66	2800	56	0,83	1,8
	400			1,85	7,03	2830	56	0,78	2,1
	415			1,90	7,41	2850	56	0,75	2,3
4MPC 10T	380	1,0	0,75	2,20	9,02	2810	63	0,82	2,3
	400			2,20	9,24	2835	63	0,78	2,5
	415			2,25	9,675	2850	63	0,74	2,9
4MPC 15T	380	1,5	1,1	3,00	13,80	2800	69	0,83	2,6
	400			3,00	14,10	2830	68	0,79	2,8
	415			3,00	14,10	2845	68	0,75	3,0
4MPC 20T	380	2,0	1,5	4,00	17,60	2800	70	0,82	2,6
	400			4,10	18,45	2825	69	0,76	2,9
	415			4,30	19,35	2840	69	0,71	3,1
4MPC 30T	380	3,0	2,2	5,50	22,05	2800	74	0,83	2,4
	400			5,60	28,00	2825	74	0,78	2,8
	415			5,70	29,07	2840	73	0,73	3,0
4MPC 30HT	380	3,0	2,2	5,50	22,05	2800	74	0,83	2,4
	400			5,60	28,00	2825	74	0,78	2,8
	415			5,70	29,07	2840	73	0,73	3,0
4MPC 40T	380	4,0	3	7,40	33,30	2780	75	0,83	2,5
	400			7,50	34,50	2810	74	0,78	2,7
	415			7,90	37,92	2825	73	0,72	3,0
4MPC 40HT	380	4,0	3	7,40	33,30	2780	75	0,83	2,5
	400			7,50	34,50	2810	74	0,78	2,7
	415			7,90	37,92	2825	73	0,72	3,0
4MPC 55T	380	5,5	4	9,60	48,96	2800	79	0,82	2,8
	400			9,80	49,98	2820	78	0,77	3,1
	415			10,3	52,53	2835	77	0,71	3,4
4MPC 55HT	380	5,5	4	9,60	48,96	2800	79	0,82	2,8
	400			9,80	49,98	2820	78	0,77	3,1
	415			10,3	52,53	2835	77	0,71	3,4
4MPC 75T	380	7,5	5,5	12,6	65,52	2825	80	0,86	2,5
	400			12,5	67,50	2845	80	0,82	2,7
	415			12,8	69,12	2860	79	0,78	2,9
4MPC 75HT	380	7,5	5,5	12,6	65,52	2825	80	0,86	2,5
	400			12,5	67,50	2845	80	0,82	2,7
	415			12,8	69,12	2860	79	0,78	2,9
4MPC 100T	380	10,0	7,5	16,9	86,19	2810	80	0,87	2,4
	400			16,9	89,57	2835	80	0,83	2,6
	415			17,3	91,69	2850	79	0,77	2,7

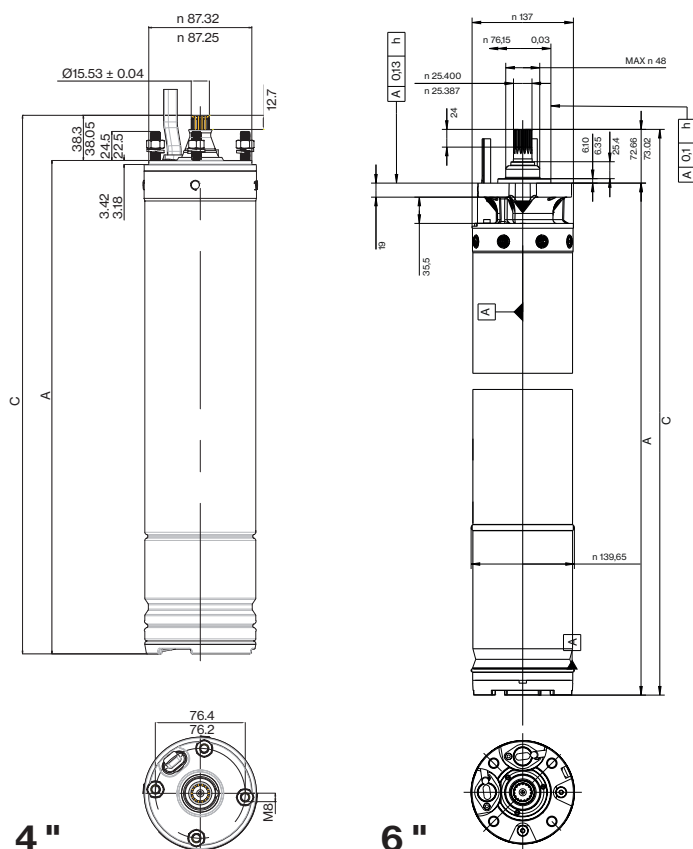


## 4MPC/6MPC

TYPE 380-400-415V/50Hz 3-	Volt V	Power		I <sub>N</sub> A	I <sub>START</sub> A	R.p.m.	EFF% %	COS φ	T <sub>N</sub> Nm	T <sub>S</sub> / T <sub>N</sub>
		HP	kW							
<b>6MPC 55T</b>	380			9,6	37,5	2815	76	0,85	13,6	1,44
	400	5,5	4	9,5	38,0	2820	76	0,81	13,5	1,62
	415			9,6	38,5	2835	76	0,77	13,4	1,78
<b>6MPC 75T</b>	380			12,9	50,3	2800	79	0,84	18,7	1,43
	400	7,5	5,5	13,0	52,0	2830	79	0,79	18,5	1,58
	415			13,2	54,1	2850	79	0,75	18,4	1,75
<b>6MPC 100T</b>	380			17,1	63,3	2810	79	0,86	25,6	1,29
	400	10	7,5	16,8	67,2	2835	79	0,82	25,3	1,46
	415			17,1	73,5	2850	79	0,78	25,2	1,54
<b>6MPC 125T</b>	380			20,8	81,1	2800	81	0,84	31,3	1,41
	400	12,5	9,2	20,9	85,7	2830	81	0,80	31,0	1,59
	415			21,5	88,1	2845	81	0,75	30,9	1,73
<b>6MPC 150T</b>	380			24,5	129,9	2800	85	0,81	36,6	1,97
	400	15	11	25,3	136,6	2825	85	0,75	36,4	2,22
	415			26,6	143,6	2840	84	0,70	36,3	2,41
<b>6MPC 200T</b>	380			33,0	168,3	2800	84	0,84	50,2	2,50
	400	20	15	33,4	183,7	2825	84	0,79	49,9	2,74
	415			34,7	190,8	2840	84	0,73	49,7	2,97
<b>6MPC 250T</b>	380			40,1	180,4	2800	85	0,84	62,3	2,10
	400	25	18,5	40,7	187,2	2825	85	0,79	61,9	2,35
	415			42,1	193,7	2840	85	0,73	61,5	2,57
<b>6MPC 300T</b>	380			50,3	286,7	2780	86	0,79	73,1	2,25
	400	30	22	53,3	293,1	2810	85	0,71	72,7	2,52
	415			57,6	311,0	2825	84	0,64	72,5	2,73
<b>6MPC 400T</b>	380			63,2	297,0	2780	83	0,88	101,5	1,58
	400	40	30	61,9	309,5	2810	84	0,85	100,9	1,76
	415			62,2	317,2	2825	84	0,81	100,3	1,91



1~/3~ DIMENSIONS							
TYPE	Axial Trust N	HP	kW	Tot. A (mm)	Tot. C (mm)	 Kg	Oil (Kg)
4MPC 5	1500		0,37	364	402	8,1	0,71
4MPC 7	1500		0,55	389	427	9,2	0,72
4MPC 10	1500		0,75	411	449	10,3	0,76
4MPC 15	2500		1,1	434	472	11,4	0,79
4MPC 20	2500		1,5	467	505	12,8	0,76
4MPC 30	2500		2,2	565	603	17,4	0,86
4MPC 30H	4500		2,2	565	603	17,4	0,84
4MPC 50	2500		3,7	680	718	24,1	0,86
4MPC 5T	1500		0,37	350	388	7,4	0,70
4MPC 7T	1500		0,55	364	402	8,0	0,71
4MPC 10T	2500		0,75	384	422	8,8	0,72
4MPC 15T	2500		1,1	411	449	10,6	0,70
4MPC 20T	2500		1,5	428	466	10,8	0,74
4MPC 30T	2500		2,2	467	505	12,5	0,78
4MPC 30HT	4500		2,2	467	505	12,5	0,78
4MPC 40T	2500		3	522	560	15,0	0,80
4MPC 40HT	4500		3	522	560	15,0	0,80
4MPC 55T	2500		4	587	625	18,3	0,82
4MPC 55HT	4500		4	587	625	18,3	0,82
4MPC 75T	2500		5,5	687	725	24,3	0,86
4MPC 75HT	4500		5,5	687	725	24,3	0,86
4MPC 100T	4500		7,5	768	806	28,3	1,09
6MPC 55T	10000	5,5	4	633	706	34	2,50
6MPC 75T		7,5	5,5	667	740	36	2,95
6MPC 100T		10	7,5	698	771	39	3,15
6MPC 125T		12,5	9,2	731	804	42	3,25
6MPC 150T		15	11	826	899	50	3,30
6MPC 200T		20	15	894	967	57	3,50
6MPC 250T		25	18,5	959	1032	65	3,60
6MPC 300T		30	22	1116	1189	78	3,80
6MPC 400T		40	30	1243	1316	91	4,10



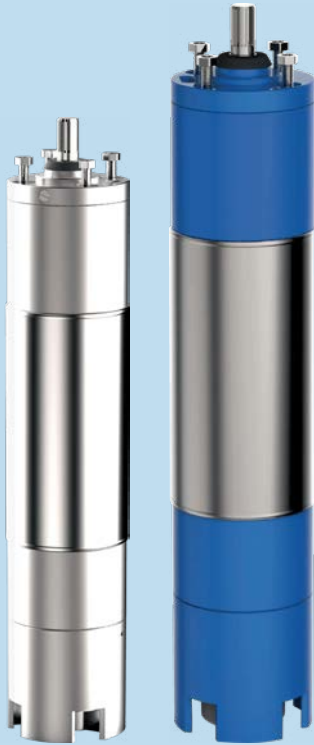
6MPC cables		
TYPE 400V/50Hz	DOL	λ / Δ
4 × 4 mm <sup>2</sup>	4 - 18,5 kW	4 - 30 kW
3 × 8 mm <sup>2</sup> + 8 mm <sup>2</sup>	22 - 30 kW	-



# 6R/8R/10R

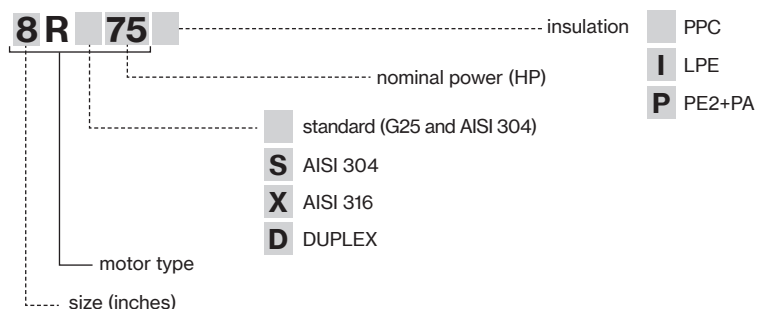
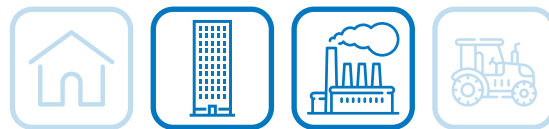
Deepwell Motors

6", 8", 10" rewindable submersible water-filled motors with NEMA coupling flange. Power from 4 kW up to 185 kW. Available in PPC (standard), LPE and PE2+PA insulation class. The motor can be supplied in stainless steel AISI 304, AISI 316 or DUPLEX.



## Construction features

<b>Upper and bottom support</b>	G25 (6R / 8R / 10R) stainless steel AISI 304 (6RS / 8RS / 10RS) stainless steel AISI 316 (6RX / 8RX / 10RX) DUPLEX (6RD / 8RD / 10RD)
<b>Stator sleeve</b>	stainless steel AISI 304 - (R) stainless steel AISI 304 - (RS) stainless steel AISI 316 - (RX) Duplex - (RD)
<b>Shaft end</b>	stainless steel AISI 431 - (R) stainless steel AISI 431 - (RS) stainless steel AISI 316 - (RX) Duplex - (RD)
<b>Seal type</b>	lip seal (standard); mechanical seal (on request)
<b>Bearings</b>	radial and axial, water lubricated
<b>Thrust bearing</b>	Michell
<b>Voltage</b>	3- 400V ± 10% - 50Hz 3- 400/690V ± 10% - 50Hz
<b>Min. cooling flow</b>	0,5 m/s
<b>Insulation class</b>	Y (max 30° C) for PPC F (max 50° C) for PE2+PA or LPE
<b>Insulation</b>	PPC (standard) PE2 + PA or LPE (on request)
<b>Protection degree</b>	IP68
<b>Max depth immersion</b>	350m
<b>Available on demand</b>	- PT 100 - Star/Delta starting - Cooling Sleeve - Cer./Carb./NBR Seal - SIC/SIC/NBR Seal

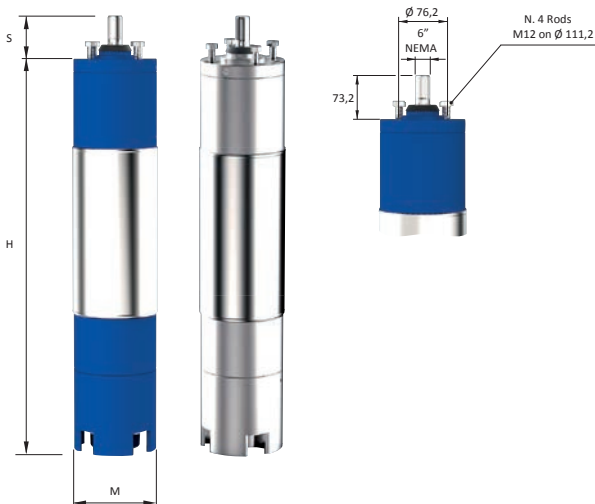


# 6R-6RS-6RX-6RD

TYPE	Power		V	A	RPM	$\eta$ (Efficiency motor %) at % load			cos $\Phi$ at % load			Starting				Axial load daN	Start/ hour (max)								
	HP	kW				50			75			100			Direct			Star-delta	Statoric						
						50	75	100	50	75	100	50	75	100	Cs/Cn			Is / In	Is / In	Is / In					
6R7	7,5	5,5	380	12,4	2846	77,0	82,0	81,0	0,67	0,78	0,83	1,60	5,60	1,90	3,40	1600	15								
			400	12,3	2859	76,0	81,0	80,0	0,65	0,76	0,81														
			415	12,3	2880	75,0	80,0	79,0	0,63	0,74	0,79														
6R10	10	7,5	380	16,6	2843	78,0	82,5	82,0	0,68	0,78	0,84	1,80	5,70	1,90	3,40			1600	15						
			400	16,3	2861	77,0	81,5	81,0	0,66	0,76	0,82														
			415	16,3	2882	76,0	80,5	80,0	0,64	0,74	0,80														
6R12	12,5	9,2	380	20,2	2846	79,0	83,0	82,0	0,68	0,79	0,85	1,80	5,70	1,90	3,40					1600	15				
			400	19,9	2864	78,0	82,0	81,0	0,66	0,77	0,83														
			415	19,9	2886	77,0	81,0	80,0	0,64	0,75	0,81														
6R15	15	11	380	23,7	2849	80,0	84,5	83,5	0,69	0,79	0,85	1,90	5,90	2,00	3,50							1600	15		
			400	23,4	2867	79,0	83,5	82,5	0,67	0,77	0,83														
			415	23,4	2882	78,0	82,5	81,5	0,65	0,75	0,81														
6R17	17,5	13	380	27,7	2851	81,0	84,5	84,0	0,69	0,79	0,85	1,80	6,00	2,00	3,60									1600	15
			400	27,3	2870	80,0	83,5	83,0	0,67	0,77	0,83														
			415	27,3	2887	79,0	82,5	82,0	0,65	0,75	0,81														
6R20	20	15	380	32	2852	82,0	85,0	84,0	0,69	0,79	0,85	1,70	5,90	2,00	3,50	1600	15								
			400	31,5	2871	81,0	84,0	83,0	0,67	0,77	0,83														
			415	31,5	2883	80,0	83,0	82,0	0,65	0,75	0,81														
6R25	25	18,5	380	38,9	2854	82,5	85,5	85,0	0,69	0,79	0,85	1,70	5,60	1,90	3,40			2500	15						
			400	38,3	2873	81,5	84,5	84,0	0,67	0,77	0,83														
			415	38,6	2889	80,0	83,0	82,5	0,65	0,75	0,81														
6R30	30	22	380	45,8	2857	82,5	85,5	85,0	0,70	0,80	0,86	1,70	5,90	2,00	3,50					2500	15				
			400	45,1	2877	81,5	84,5	84,0	0,68	0,78	0,84														
			415	45,3	2890	80,0	83,0	82,5	0,66	0,76	0,82														
6R35	35	26	380	53,8	2867	82,5	86,0	85,5	0,71	0,81	0,86	1,70	5,70	1,90	3,40							2500	15		
			400	52,9	2878	81,5	85,0	84,5	0,69	0,79	0,84														
			415	53,2	2891	80,0	83,5	83,0	0,67	0,77	0,82														
6R40	40	30	380	62,1	2861	82,5	86,0	85,5	0,72	0,81	0,86	1,70	5,60	1,90	3,40									2500	15
			400	61,1	2880	81,5	85,0	84,5	0,70	0,79	0,84														
			415	61,4	2892	80,0	83,5	83,0	0,68	0,77	0,82														
6R50	50	37	380	77	2863	83,0	86,5	85,0	0,72	0,81	0,86	1,60	5,60	1,90	3,40	2500	15								
			400	75,8	2882	82,0	85,5	84,0	0,70	0,79	0,84														
			415	76,2	2891	80,5	84,0	82,5	0,68	0,77	0,82														

Service factor: 50Hz=1 - Direction of rotation (view from shaft projection side: anti-clockwise)  
Cs = Starting torque - Cn = Nominal couple - Is = Starting current - In = Nominal current

6R - 6RS - 6RX - 6RD						Max water temperature	
TYPE	Power		Cables		Standard Cable lenght m	Winding type	
	HP	kW	Starting			PPC	PE2-PA / LPE
			Direct	Star Delta			
			400 V $\pm$ 5%	400 / 690 V			
6R7	7,5	5,5	4G x 4 mm <sup>2</sup>	2x(4G x 4 mm <sup>2</sup> )	3	30 °C	50 °C
6R10	10	7,5	4G x 4 mm <sup>2</sup>	2x(4G x 4 mm <sup>2</sup> )			
6R12	12,5	9,2	4G x 4 mm <sup>2</sup>	2x(4G x 4 mm <sup>2</sup> )			
6R15	15	11	4G x 4 mm <sup>2</sup>	2x(4G x 4 mm <sup>2</sup> )			
6R17	17,5	13	4G x 6 mm <sup>2</sup>	2x(4G x 4 mm <sup>2</sup> )			
6R20	20	15	4G x 6 mm <sup>2</sup>	2x(4G x 4 mm <sup>2</sup> )			
6R25	25	18,5	4G x 6 mm <sup>2</sup>	2x(4G x 4 mm <sup>2</sup> )			
6R30	30	22	4G x 6 mm <sup>2</sup>	2x(4G x 4 mm <sup>2</sup> )			
6R35	35	26	4G x 10 mm <sup>2</sup>	2x(4G x 6 mm <sup>2</sup> )			
6R40	40	30	4G x 10 mm <sup>2</sup>	2x(4G x 6 mm <sup>2</sup> )			
6R50	50	37	4G x 10 mm <sup>2</sup>	2x(4G x 10 mm <sup>2</sup> )			



6R - 6RS - 6RX - 6RD				
TYPE	Motor 50Hz - 2900 rpm		Overall dimensions and weights	
	H mm	S mm	M mm	Kg
6R7	671	73,2	145	45
6R10	701			55
6R12	751			60
6R15	811			65
6R17	841			70
6R20	931			75
6R25	991			83
6R30	1071			92
6R35	1181			100
6R40	1251			108
6R50	1341	118		

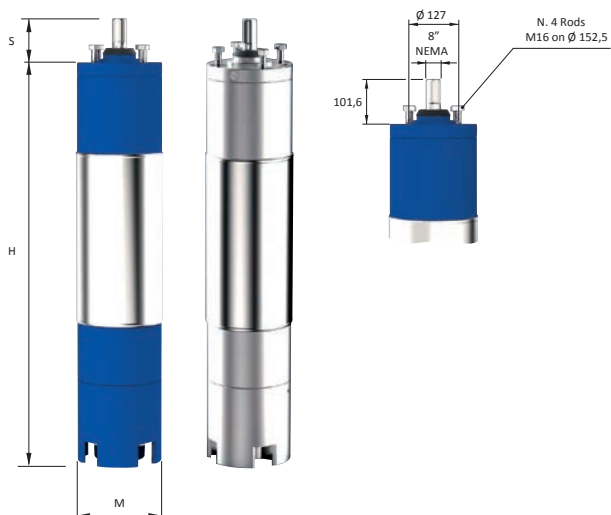


# 8R-8RS-8RX-8RD

TYPE	Power		V	A	RPM	$\eta$ (Efficiency motor %) at % load			cos $\Phi$ at % load			Starting				Axial load daN	Start/hour (max)			
	HP	kW				50			75			100			Direct			Star-delta	Statoric	
						50	75	100	50	75	100	50	75	100	Cs/Cn			Is / In	Is / In	Is / In
8R40	40	30	380	64,4	2859	79,8	85,2	84,3	0,77	0,81	0,84	2,05	6,40	2,10	3,80	4500	10			
			400	61,7	2875	80,1	85,0	84,7	0,76	0,80	0,83									
			415	60	2892	79,3	84,5	85,0	0,75	0,79	0,82									
8R50	50	37	380	75,4	2865	80,3	85,7	84,8	0,79	0,83	0,88	1,95	5,70	2,00	3,70					
			400	73	2888	80,6	85,5	85,2	0,77	0,81	0,86									
			415	71,8	2904	79,8	85,0	85,5	0,75	0,79	0,84									
8R60	60	45	380	90,2	2882	80,8	86,2	85,3	0,76	0,86	0,87	1,95	5,80	2,00	3,70					
			400	86,3	2893	81,1	86,0	85,7	0,74	0,81	0,86									
			415	84,8	2905	80,3	85,5	86,0	0,72	0,79	0,84									
8R75	75	55	380	110,2	2880	81,3	86,7	85,8	0,76	0,85	0,89	1,85	5,80	2,00	3,60					
			400	106,2	2889	81,6	86,5	86,2	0,74	0,81	0,87									
			415	105,4	2901	80,8	86,0	86,5	0,72	0,80	0,84									
8R90	90	66	380	130,7	2881	82,4	87,5	86,8	0,76	0,86	0,89	1,85	5,80	2,00	3,50					
			400	126	2892	82,6	87,4	87,2	0,74	0,82	0,87									
			415	125,1	2905	81,9	86,9	87,5	0,72	0,79	0,84									
8R100	100	75	380	148,5	2882	82,3	87,7	86,8	0,75	0,85	0,89	1,80	5,80	2,00	3,50					
			400	143,2	2893	82,6	87,5	87,2	0,73	0,81	0,87									
			415	142,1	2905	81,8	87,0	87,5	0,71	0,77	0,84									
8R125	125	92	380	183,5	2880	83,0	86,0	85,7	0,75	0,84	0,89	1,80	5,70	1,90	3,50					
			400	175,1	2891	83,5	86,5	86,3	0,74	0,83	0,88									
			415	172,7	2903	83,0	86,0	86,3	0,72	0,81	0,86									
8R150	150	110	380	218,6	2885	85,5	86,5	86,0	0,74	0,83	0,89	1,80	5,70	1,90	3,50					
			400	211	2898	86,1	87,0	86,6	0,73	0,82	0,87									
			415	212,1	2908	85,5	86,5	86,0	0,72	0,81	0,84									

Service factor: 50Hz=1 - Direction of rotation (view from shaft projection side: anti-clockwise)  
Cs = Starting torque - Cn = Nominal couple - Is = Starting current - In = Nominal current

TYPE	8R - 8RS - 8RX - 8RD					Max water temperature	
	Power		Cables		Standard Cable length m	Winding type	
	HP	kW	Starting			PPC	PE2-PA / LPE
			Direct	Star Delta			
		400 V $\pm$ 5%		400 / 690 V			
8R40	40	30	3x1x10 mm <sup>2</sup>	6x1x10 mm <sup>2</sup>	3	30 °C	50 °C
8R50	50	37	3x1x10 mm <sup>2</sup>	6x1x10 mm <sup>2</sup>			
8R60	60	45	3x1x16 mm <sup>2</sup>	6x1x10 mm <sup>2</sup>			
8R75	75	55	3x1x16 mm <sup>2</sup>	6x1x10 mm <sup>2</sup>			
8R90	90	66	3x1x25 mm <sup>2</sup>	6x1x16 mm <sup>2</sup>			
8R100	100	75	3x1x25 mm <sup>2</sup>	6x1x16 mm <sup>2</sup>			
8R125	125	92	3x1x25 mm <sup>2</sup>	6x1x16 mm <sup>2</sup>			
8R150	150	110	3x1x35 mm <sup>2</sup>	6x1x25 mm <sup>2</sup>			



8R - 8RS - 8RX - 8RD				
Motor 50Hz - 2900 rpm	Overall dimensions and weights			
TYPE	H mm	S mm	M mm	Kg
8R40	993	101,6	194	150
8R50	1043			160
8R60	1123			178
8R75	1233			200
8R90	1302			214
8R100	1383			230
8R125	1583			270
8R150	1733			300



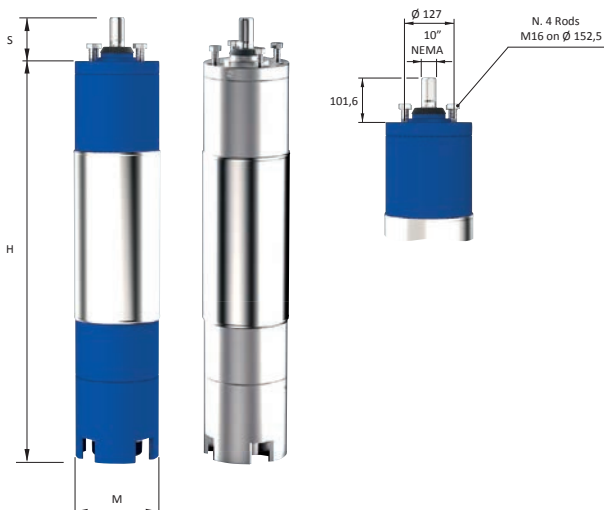


# 10R-10RS-10RX-10RD

TYPE	Power		V	A	RPM	$\eta$ (Efficiency motor %) at % load			cos $\Phi$ at % load			Starting				Axial load daN	Start/hour (max)			
	HP	kW				50			75			100			Direct			Star-delta	Statoric	
						50	75	100	50	75	100	50	75	100	Cs/Cn			Is / In	Is / In	Is / In
10R100	100	75	380	154,3	2884	86,9	87,0	88,0	0,73	0,80	0,84	1,80	6,40	1,90	3,40	6000	10			
			400	142,7	2896	85,9	88,0	88,3	0,72	0,84	0,86									
			415	143,9	2909	86,4	88,3	88,5	0,64	0,77	0,82									
10R125	125	92	380	188,7	2890	87,2	87,3	88,3	0,74	0,83	0,84	1,60	6,30	1,80	3,40					
			400	174,5	2904	86,2	88,3	88,6	0,71	0,83	0,86									
			415	176	2914	86,7	88,6	88,8	0,63	0,75	0,82									
10R150	150	110	380	222,2	2930	87,9	88,0	89,0	0,71	0,81	0,85	1,55	6,70	1,80	3,30					
			400	207	2937	86,9	89,0	89,3	0,73	0,84	0,86									
			415	211,3	2943	87,4	89,3	89,5	0,63	0,77	0,81									
10R175	175	130	380	265,6	2895	87,5	88,2	89,0	0,73	0,81	0,83	1,85	5,80	2,00	3,60					
			400	245,3	2915	86,5	89,3	89,4	0,71	0,83	0,85									
			415	244,6	2928	87,1	89,5	89,6	0,62	0,75	0,82									
10R200	200	150	380	299,1	2898	87,1	88,2	89,0	0,72	0,82	0,84	1,55	6,50	1,80	3,30					
			400	277,2	2917	86,1	88,5	89,1	0,71	0,81	0,86									
			415	278,1	2931	86,5	88,1	88,7	0,65	0,75	0,83									
10R225	225	165	380	337,2	2901	86,5	87,5	88,6	0,72	0,82	0,84	1,55	6,50	1,80	3,30					
			400	313,3	2920	85,4	87,2	88,5	0,71	0,81	0,86									
			415	313,9	2930	86,0	87,3	88,2	0,65	0,75	0,83									
10R250	250	185	380	370	2904	87,4	88,0	89,0	0,73	0,83	0,85	1,50	6,50	1,80	3,30					
			400	342,2	2924	86,5	88,7	89,3	0,72	0,82	0,87									
			415	340,9	2936	87,3	89,3	89,5	0,65	0,77	0,84									

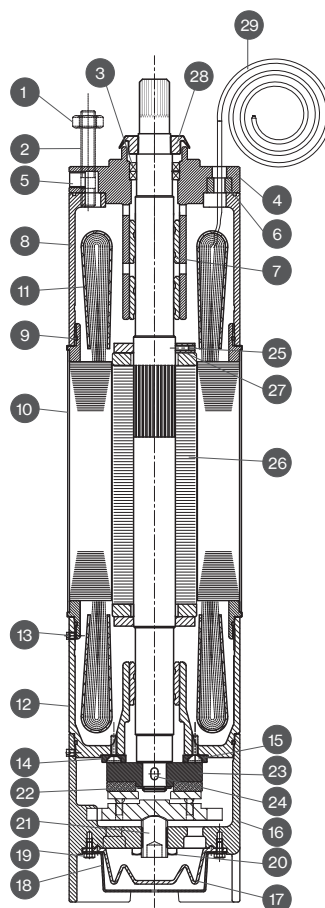
Service factor: 50Hz=1 - Direction of rotation (view from shaft projection side: anti-clockwise)  
 Cs = Starting torque - Cn = Nominal couple - Is = Starting current - In = Nominal current

TYPE	10R - 10RS - 10RX - 10RD				Standard Cable length m	Max water temperature	
	Power		Cables			Winding type	
	HP	kW	Starting			PPC	PE2-PA / LPE
			Direct	Star Delta			
		400 V $\pm$ 5%		400 / 690 V			
10R100	100	75	3x1x25 mm <sup>2</sup>	6x1x16 mm <sup>2</sup>	3	30 °C	50 °C
10R125	125	92	3x1x25 mm <sup>2</sup>	6x1x16 mm <sup>2</sup>			
10R150	150	110	3x1x35 mm <sup>2</sup>	6x1x16 mm <sup>2</sup>			
10R175	175	130	3x1x35 mm <sup>2</sup>	6x1x25 mm <sup>2</sup>			
10R200	200	150	3x1x50 mm <sup>2</sup>	6x1x25 mm <sup>2</sup>			
10R225	225	165	3x1x50 mm <sup>2</sup>	6x1x35 mm <sup>2</sup>			
10R250	250	185	3x1x50 mm <sup>2</sup>	6x1x35 mm <sup>2</sup>			



10R - 10RS - 10RX - 10RD				
Motor 50Hz - 2900 rpm	Overall dimensions and weights			
TYPE	H mm	S mm	M mm	kg
10R100	1284	101,6	240	270
10R125	1354			310
10R150	1504			350
10R175	1634			385
10R200	1734			415
10R225	1854			444
10R250	1984			480



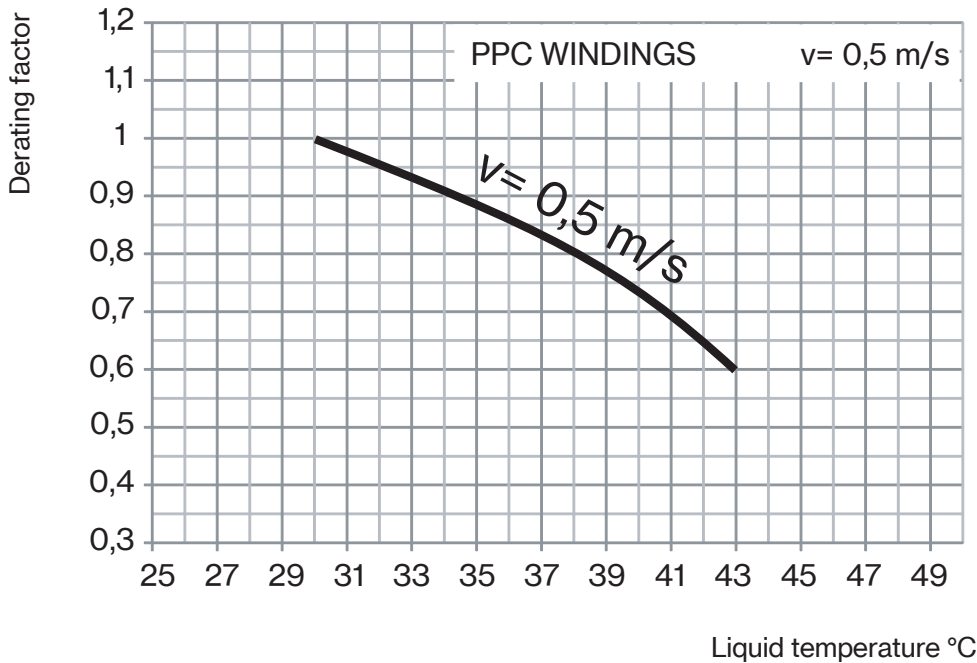


N. CODE	(*) N°	DESCRIPTION	MATERIAL STANDARD VERSION R	MATERIAL VERSION RS-RX-RD
1		<b>N.4 Nuts</b>	AISI 304	AISI 304 / AISI 316 / DUPLEX
2		<b>N.4 Studs</b>	AISI 304	AISI 304 / AISI 316 / DUPLEX
3(*)	1	<b>N.2 Seal rings</b>	NBR	NBR
4		<b>Upper support</b>	CAST IRON	AISI 304 / AISI 316 / DUPLEX
5		<b>N.2 Grains for Liquid filling</b>	AISI 304	AISI 304 / AISI 316 / DUPLEX
6		<b>Grommet</b>	NBR	NBR
7(*)	3	<b>N.3 Bearings</b>	GRAPHITE	GRAPHITE
8		<b>Motor casing</b>	CAST IRON	AISI 304 / AISI 316 / DUPLEX
9(*)	4	<b>N.4 O-ring</b>	NBR	NBR
10		<b>Motor external sleeve</b>	AISI 304	AISI 304 / AISI 316 / DUPLEX
11		<b>N.2 Covers winding protection</b>	POM	POM
12		<b>Lower support</b>	CAST IRON	AISI 304 / AISI 316 / DUPLEX
13		<b>N.3 Screw</b>	AISI 304	AISI 304 / AISI 316 / DUPLEX
14(*)	2	<b>N.2 Disks controsuspention</b>	TEFLON	TEFLON
15		<b>N.2 Screws for controsuspention</b>	AISI 304	AISI 304
16		<b>Base motor</b>	CAST IRON	AISI 304 / AISI 316 / DUPLEX
17(*)	1	<b>Diaphram</b>	NBR	NBR
18		<b>Cover diaphram</b>	AISI 304	AISI 304 / AISI 316 / DUPLEX
19		<b>N.4 Screw for cover diaphram</b>	AISI 304	AISI 304 / AISI 316 / DUPLEX
20		<b>Nut</b>	AISI 304	AISI 304
21		<b>Screw</b>	AISI 304	AISI 304
22		<b>Seeger</b>	AISI 304	AISI 304
23(*)	1	<b>Trust bearing</b>	AISI + GRAPHITE	AISI + GRAPHITE
24		<b>Key</b>	AISI 304	AISI 304
25		<b>N.2 Grains for stabilizer</b>	AISI 304	AISI 304
26		<b>Complete rotor</b>	AISI	AISI
27		<b>N.2 Stabilizers</b>	AISI	AISI
28(*)	1	<b>Deflector</b>	NBR	NBR
29		<b>Cable</b>	H07 RNF	H07 RNF

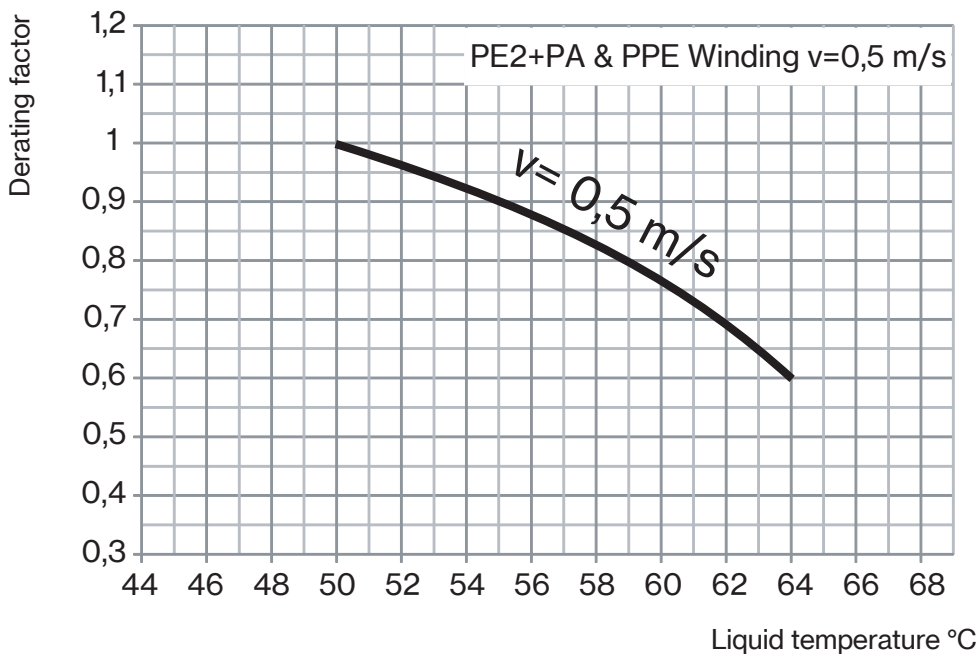
\*Reccomended spare parts



### OPERATING CONDITIONS VS WATER TEMPERATURE



All 6" - 8" - 10" standard motors with PPC windings can operate at liquid temperatures up to 30 °C without derating factor. From 31 °C till 43 °C they motors have to be derated according to the factor shown in the following graph.



All 6" - 8" - 10" motors with LPE or PE2+PA windings can operate at liquid temperatures up to 50 °C without derating factor. From 51 °C till 64 °C the motors have to be derated according to the factor shown in the following graph.

Motor size	Max motor sharing per hour	Winding max temperature (°C)			Liquid max temperature (°C)		
		PPC	LPE	PE2+PA	PPC	LPE	PE2+PA
6"	15	70	80	80	30	50	50
8"	10	70	80	80	30	50	50
10"	8	70	80	80	30	50	50

PPC = Y insulation class  
 LPE = F insulation class  
 PE2+PA = / F insulation class  
 Minimum liquid velocity for motor 6" - 8" - 10": 0,5 m/s



# PTR12-PTR14

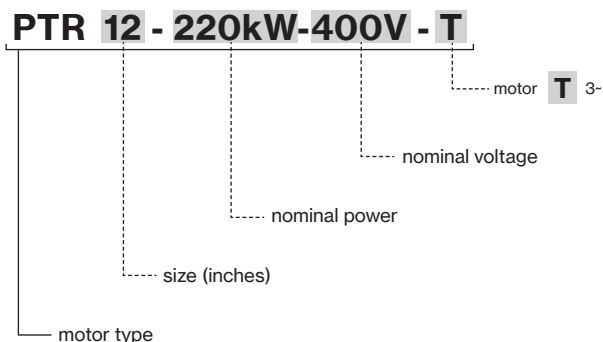
Deepwell Motors

12" - 14" submersible rewindable water-filled motors. Power from 185 kW up to 400 kW. Standard PE2+PA winding insulation class for temperature up to 30°C.



## Construction features

<b>Upper and bottom support</b>	GG25 or stainless steel AISI 316
<b>Stator sleeve</b>	stainless steel AISI 316
<b>Shaft end</b>	stainless steel
<b>Mechanical seal</b>	SIC / SIC / NBR
<b>Bearings</b>	steel / NBR
<b>Voltage</b>	3- 380-400V - 50Hz
<b>Cooling flow</b>	min 0,5 m/s
<b>Insulation class</b>	F
<b>Insulation</b>	PE2 + PA
<b>Protection degree</b>	IP68
<b>Available on demand</b>	<ul style="list-style-type: none"> <li>- Full motor in AISI 316</li> <li>- Full motor in AISI 904</li> <li>- PT 100</li> <li>- Star/Delta starting</li> <li>- Cooling Sleeve</li> <li>- Clockwise rotation</li> </ul>

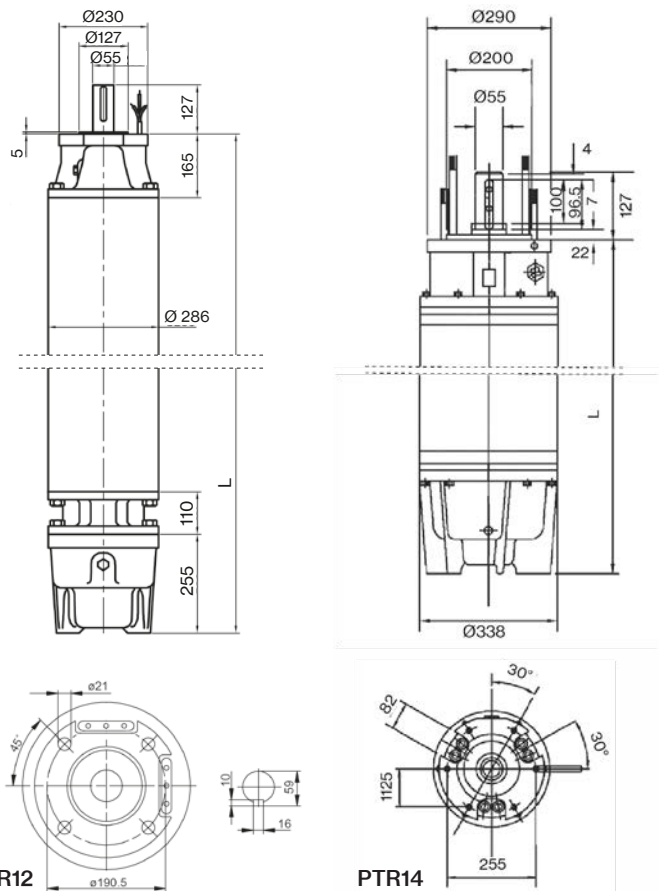


TYPE 400V/50Hz 3~	Volt V	P <sub>2</sub>		I <sub>N</sub> A	I <sub>s</sub> /I <sub>N</sub>	P <sub>1</sub> W	N min <sup>-1</sup>	EFF% %	COS φ	CABLE	
		HP	kW							Lenght m	Size mm <sup>2</sup>
PTR12 - 220kW	400	300	220	424	6,1	250000	2920	88	0,85	8	3×70+1×50
PTR12 - 250kW	400	340	250	481	5,9	284091	2920	88	0,85		3×70+1×50
PTR14 - 294kW	380	400	300	551	5,8	326667	2900	90	0,9		3×95+1×50
PTR14 - 330kW	380	450	330	620	6	366667	2900	90	0,9		3×95+1×50
PTR14 - 367kW	380	500	370	693	6,4	405525	2900	90,5	0,89		3×95+1×50
PTR14 - 404kW	380	550	400	798	6,8	446409	2900	90,5	0,85		3×95+1×50

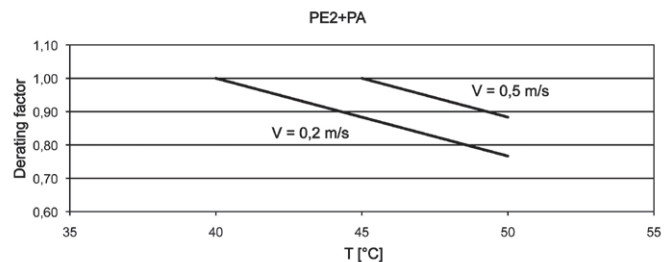
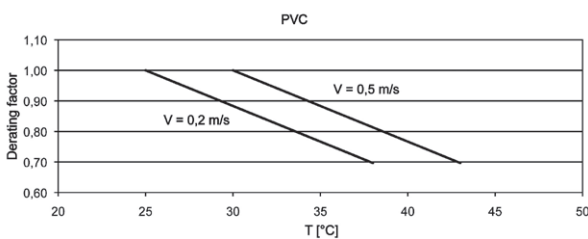
P<sub>2</sub>: Nominal power  
 V: Nominal voltage  
 I<sub>N</sub>: Nominal current  
 I<sub>s</sub>/I<sub>N</sub>: Starting current / Nominal current  
 P<sub>1</sub>: Absorbed power

N: Rotations per minute - Rpm  
 Cos φ : Power factor  
 EFF%: Efficiency  
 Size: Cable cross section  
 Lenght: Cable length

DIMENSIONS					
Motor Type	Power		Axial Thrust N	Lenght mm	Weight Kg
	HP	kW			
PTR12 - 220kW	300	220	70000	2110	700
PTR12 - 250kW	340	250		2280	775
PTR14 - 294kW	400	300		2020	845
PTR14 - 330kW	450	330		2160	906
PTR14 - 367kW	500	370		2320	1010
PTR14 - 404kW	550	400		2460	1105



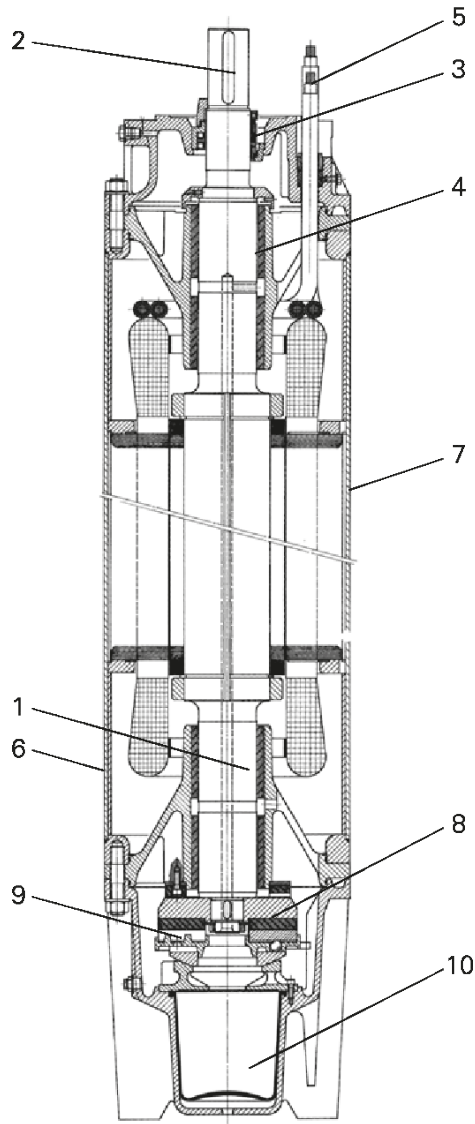
### POWER DERATING VERSUS THE LIQUID TEMPERATURE



For PTR12 220 kW PE2+PA and 250 kW PE2+PA 50 Hz and for all the PTR12 60 Hz versions the maximum liquid temperature is 10 °C lower than that indicated in the graph.  
 For PTR12 300kW PE2+PA the maximum liquid temperature is 25°C.

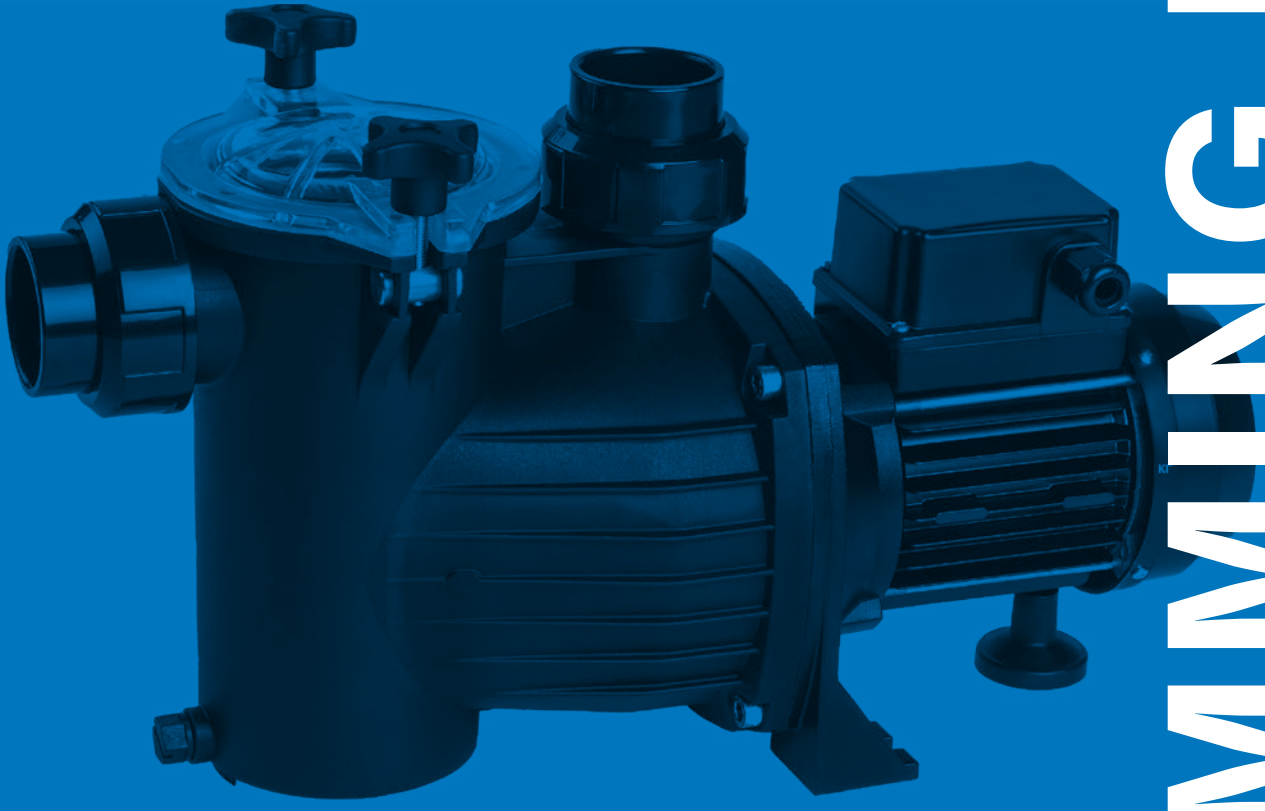


# PTR12/PTR14



N.	PARTS	STD VERSION	VERSION 316 SS	VERSION 904 SS
1	<b>Shaft</b>	stainless steel	stainless steel	stainless steel
2	<b>Shaft Terminal</b>	AISI 316 stainless steel	AISI 316 stainless steel	AISI 904 stainless steel
3	<b>Mechanical Seal</b>	ceramic/carbon	SIC/SIC	SIC/SIC
4	<b>Bushes</b>	steel/NBR	steel/NBR	steel/NBR
5	<b>Cable</b>	EPDM	EPDM	EPDM
6	<b>Structural Parts</b>	cast iron	AISI 316 stainless steel	AISI 904 stainless steel
7	<b>Jacket</b>	AISI 316 stainless steel	AISI 316 stainless steel	AISI 904 stainless steel
8	<b>Thrust Plate</b>	steel	steel	steel
9	<b>Thrust Bearing</b>	steel/NBR	steel/NBR	steel/NBR
10	<b>Diaphragm</b>	EPDM	EPDM	EPDM
11	<b>Screws</b>	AISI 304 stainless steel	AISI 316 stainless steel	AISI 904 stainless steel





# SWIMMING POOL



Self priming pump for pools with a large built-in pre-filter, which, together with the excellent hydraulic performance of the pump, generates a very high filtration capacity. The transparent polycarbonate lid easily allows inspection of the pre-filter sieve. Pump body, seal housing and diffuser reinforced with glass fibre polypropylene are resistant to chemical products used for pools and guarantee excellent duration.



Pre-filter sieve

### Construction features

<b>Pump body, seal housing, diffuser</b>	polypropylene
<b>Motor bracket</b>	aluminum
<b>Impeller</b>	Noryl®
<b>Mechanical seal</b>	ceramic-graphite-AISI 316
<b>Motor shaft</b>	stainless steel AISI 316
<b>Liquid temperature</b>	max 40 °C
<b>Pre-filter cover</b>	polycarbonate

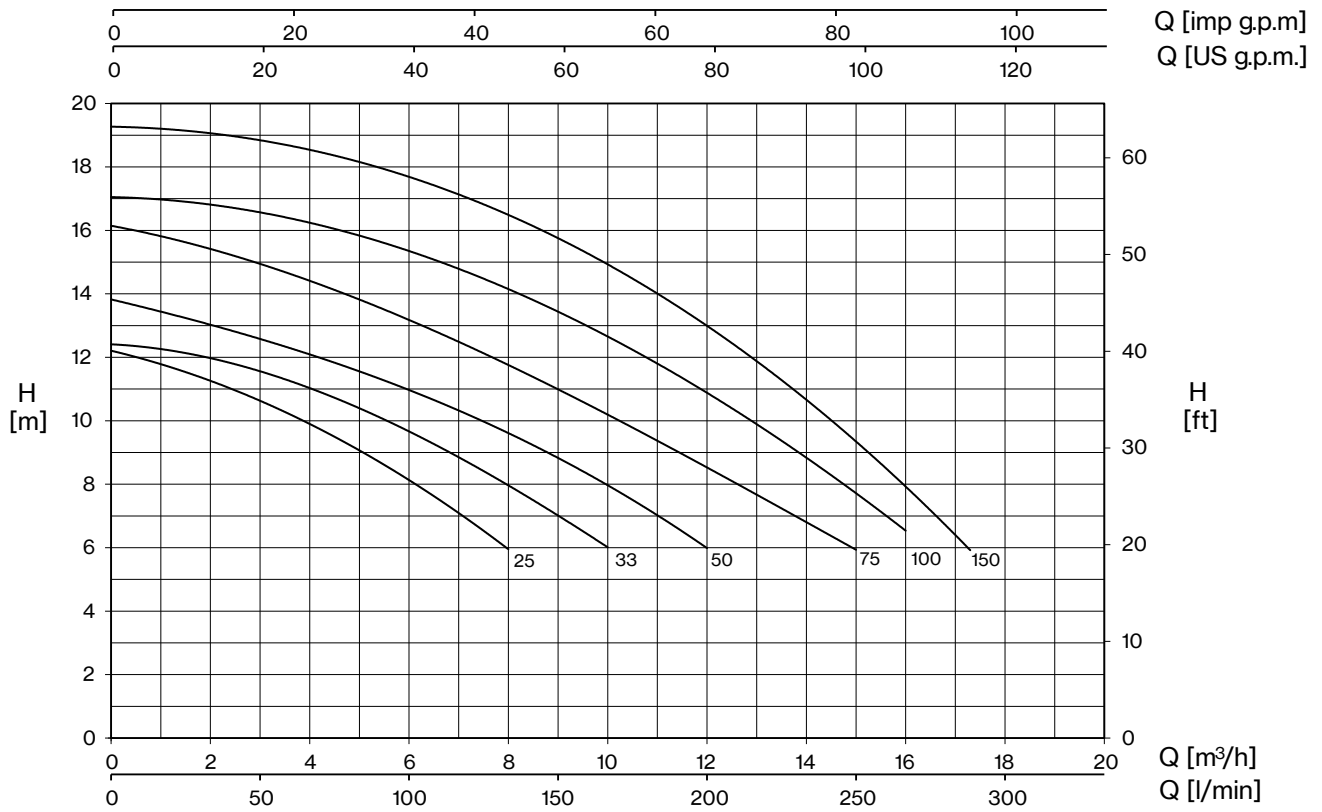
### Motor

<b>2 Poles induction motor</b>	3~ 230/400V - 50Hz
	1~ 230V - 50Hz
<b>Insulation class</b>	F
<b>Protection degree</b>	IP55

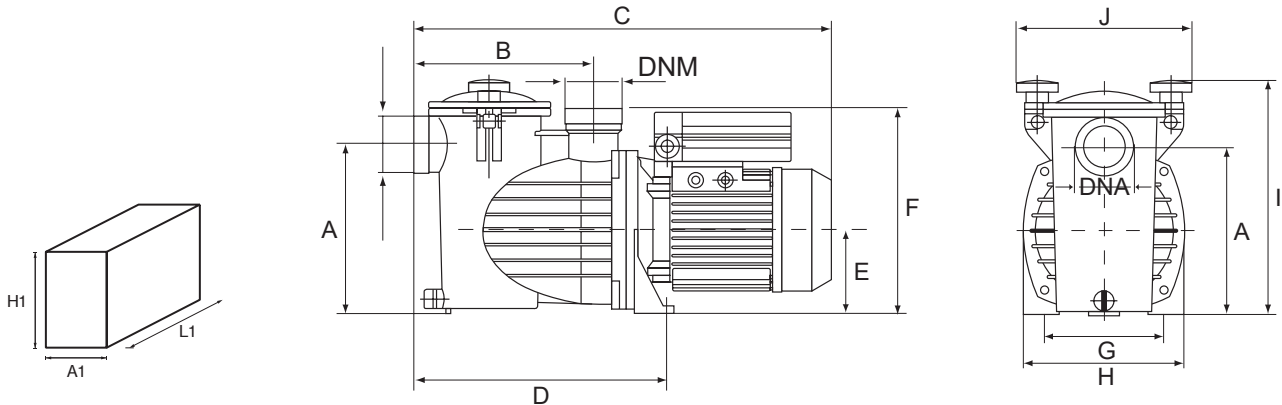




# POOL1



TYPE		P2		μF	AMPERE			H (m)									
1~	3~	HP	kW		1~	3~	3~	6	8	10	12	13	14	16	18		
					230 V	230 V	400 V	Q (m³/h)									
POOL1 25M	POOL1 25T	0,25	0,16	18	2,6	1,3	0,8	8,0	6,0	4,0	0,5						
POOL1 33M	POOL1 33T	0,33	0,25	18	2,9	1,9	1,1	10,0	8,0	5,5	2,0						
POOL1 50M	POOL1 50T	0,5	0,37	18	3,3	2,5	1,4	12,0	10,0	7,0	5,0	1,0					
POOL1 75M	POOL1 75T	0,75	0,55	20	3,8	3,0	1,7	15,0	12,5	10,0	8,0	6,6	4,2				
POOL1 100M	POOL1 100T	1	0,75	20	4,2	3,4	2,0	16,0	15,3	13,0	10,5	9,7	7,6	5,5			
POOL1 150M	POOL1 150T	1,5	1,1	30	7,3	5,0	2,9	17,3	15,9	14,5	12,8	12,0	11,0	9,0	5,0		



TYPE	DIMENSIONS (mm)											DNA/DNM	L1	A1	H1	kg	
	A	B	C	D	E	F	G	H	I	J	Net					Gross	
POOL1 25M	191	205	470	285	95	233	140	180	265	197	1" 1/2 Ø 50 PVC	630	230	360	8,5	9,5	
POOL1 25T												630	230	360	9,8	10,8	
POOL1 33M	191	205	470	285	95	233	140	180	265	197		630	230	360	8,5	9,5	
POOL1 33T												630	230	360	9,8	10,8	
POOL1 50M	191	205	470	285	95	233	140	180	265	197		630	230	360	8,5	9,5	
POOL1 50T												630	230	360	9,8	10,8	
POOL1 75M	191	205	470	285	95	233	140	180	265	197		630	230	360	9,9	10,9	
POOL1 75T												630	230	360	9,8	10,8	
POOL1 100M	191	205	470	285	95	233	140	180	265	197		630	230	360	9,9	10,9	
POOL1 100T												630	230	360	9,8	10,8	
POOL1 150M	191	205	470	285	95	233	140	180	265	197	630	230	360	10,6	11,6		
POOL1 150T											630	230	360	10,5	11,8		



# POOL1 EASY

Swimming Pool



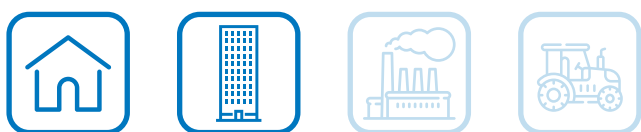
The new electronic system for pumps EASY Control applicable to the POOL1 Series is an integral system to command the installation. By attaching a digital switchboard control panel to the pump, allows an easy and intuitive installation and complete control of the pool. The system incorporates the necessary protections for the pump and for people, time clocks and input / outputs for the management of the lighting system, salt chlorinator, heat pump, temperature probe, etc.

Pre-filter sieve

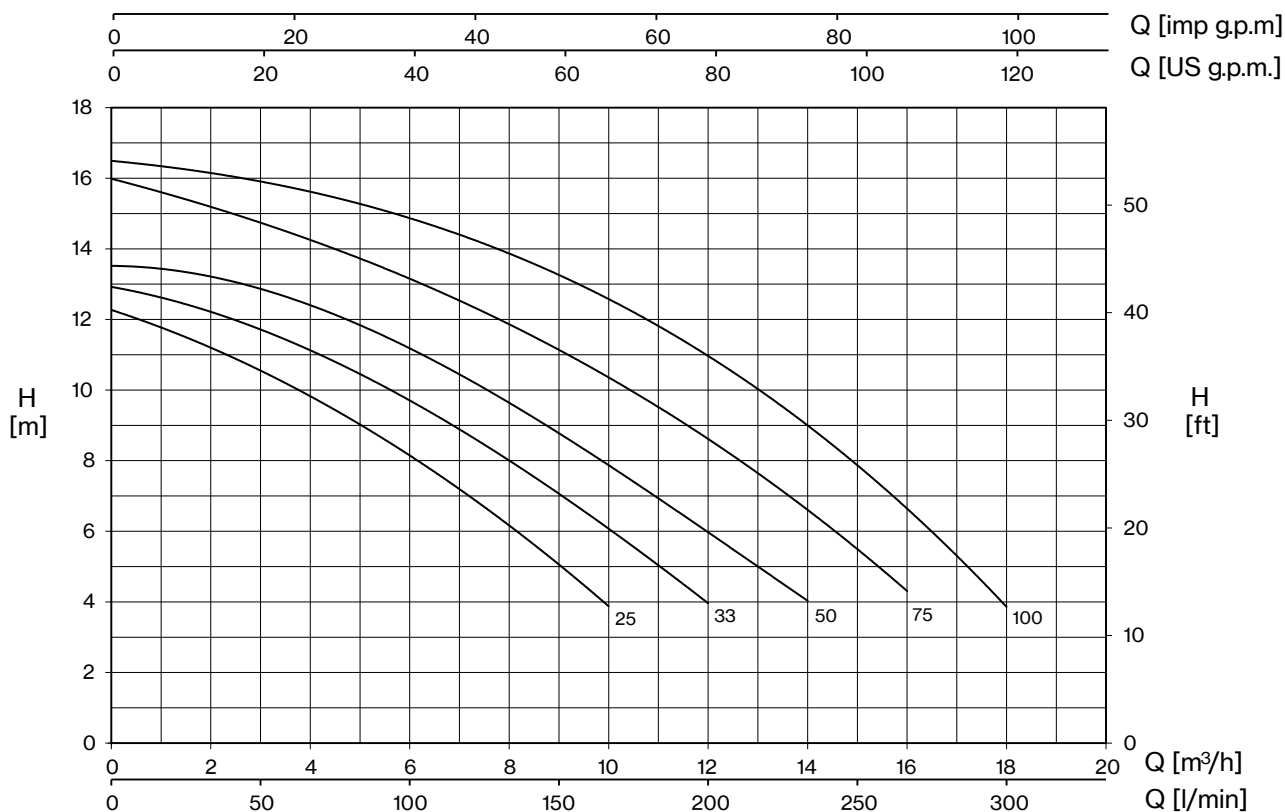
Wall support

Construction features	
<b>Pump body, seal housing, diffuser</b>	polypropylene
<b>Motor bracket</b>	aluminum
<b>Impeller</b>	Noryl®
<b>Mechanical seal</b>	ceramic-graphite-AISI 316
<b>Motor shaft</b>	stainless steel AISI 316
<b>Liquid temperature</b>	max 40 °C
<b>Pre-filter cover</b>	polycarbonate

Motor	
<b>2 Poles induction motor</b>	1~ 230V - 50Hz
<b>Insulation class</b>	F
<b>Protection degree</b>	IP55
<b>Integral system for pool control</b>	EASY Control incorporated into the pump



# POOL1 EASY



TYPE	P2		μF	AMPERE		H (m)								DNA	DNM
				1~	4	6	8	10	11	12	13	14			
	HP	kW		230 V	Q (m³/h)										
<b>POOL1 EASY 25M</b>	0,25	0,16	18	2,6	10,0	8,0	6,0	4,0	2,5	0,5			1" ½		
<b>POOL1 EASY 33M</b>	0,33	0,25	18	2,9	12,0	10,0	8,0	5,5	4,6	2,0					
<b>POOL1 EASY 50M</b>	0,5	0,37	18	3,3	14,0	12,0	10,0	7,0	6,5	5,0					
<b>POOL1 EASY 75M</b>	0,75	0,55	20	3,8	16,0	15,0	12,5	10,0	9,3	8,0	6,6	4,2			
<b>POOL1 EASY 100M</b>	0,95	0,70	20	4,2	18,0	16,0	15,3	13,0	12,1	10,5	9,7	7,6			





Self-priming pump for pools with a large built-in pre-filter, which, together with the excellent hydraulic performance of the pump, generates a very high filtration capacity. Includes a transparent polycarbonate pre-filter lid with opening key for effortless opening and easy inspection of the sieve. Pump body, seal housing and diffuser reinforced with glass fibre polypropylene are resistant to chemical products used for pools and guarantee excellent duration.



Pre-filter sieve and opening key

### Construction features

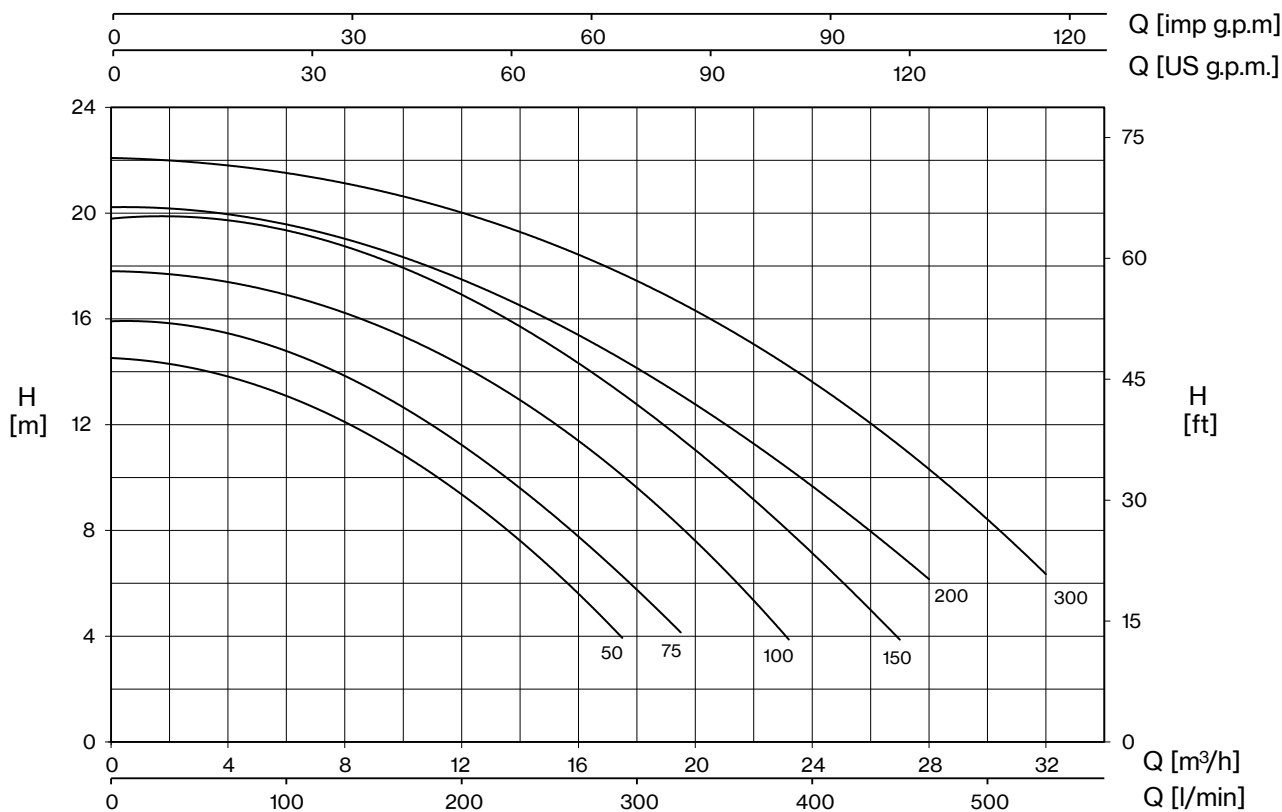
<b>Pump body, seal housing, diffuser</b>	polypropylene
<b>Motor bracket</b>	aluminum
<b>Impeller</b>	Noryl®
<b>Mechanical seal</b>	ceramic-graphite-AISI 316
<b>Motor shaft</b>	stainless steel AISI 316
<b>Liquid temperature</b>	max 40 °C
<b>Pre-filter cover</b>	polycarbonate
<b>Opening key for pre-filter lid</b>	polypropylene

### Motor

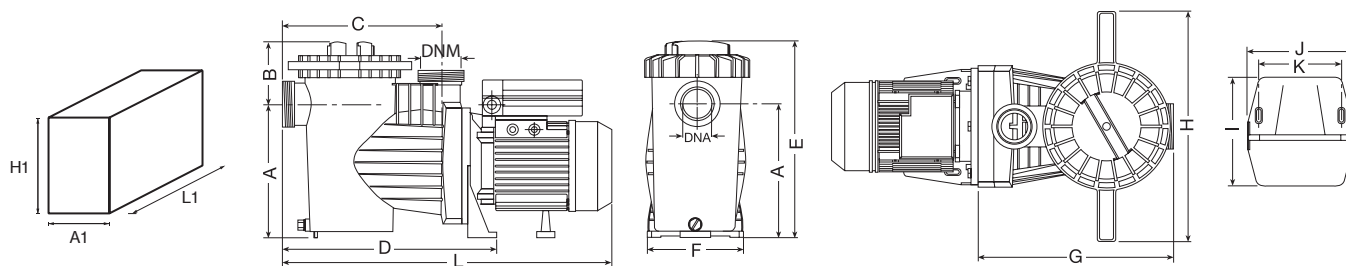
<b>2 Poles induction motor</b>	1~ 230V - 50Hz 3~ 230/400V - 50Hz
<b>Insulation class</b>	F
<b>Protection degree</b>	IP55



# POOL2



TYPE		P2		μF	AMPERE			H (m)								
1~	3~	HP	kW		1~	3~	3~	4	6	8	10	12	14	16	18	21
					230 V	230 V	400 V	Q (m³/h)								
POOL2 50M	POOL2 50T	0,5	0,37	20	4,4	2,4	1,4	17,5	15,6	13,5	11,1	8,4				
POOL2 75M	POOL2 75T	0,75	0,55	20	4,75	3,1	1,8	19,5	18,0	15,7	13,5	10,8	7,9			
POOL2 100M	POOL2 100T	1	0,75	25	5,5	3,8	2,2	23,2	21,1	19,7	18,0	15,0	12,3	8,7		
POOL2 150M	POOL2 150T	1,5	1,1	30	7,3	5,0	2,9	27,0	25,0	23,0	21,0	19,0	17,0	13,0	10,0	
POOL2 200M	POOL2 200T	2	1,5	40	9,2	6,0	3,5		28,0	26,0	24,0	21,0	18,0	14,0	12,0	
POOL2 300M	POOL2 300T	3	2,2	40	12,2	8,6	5,0		32,0	30,0	29,0	27,0	23,0	20,0	15,0	12,0



TYPE	DIMENSIONS (mm)												DNA/DNM	L1	A1	H1	Kg	
	A	B	C	D	E	F	G	H	I	J	K	L					Net	Gross
POOL2 50M	216	109	265	370	325	206	325	400	220	205	160	550	2" Ø 63 PVC	630	230	360	11,7	12,7
POOL2 50T														630	230	360	11,9	12,9
POOL2 75M	216	109	265	370	325	206	325	400	220	205	160	550		630	230	360	11,5	12,5
POOL2 75T														630	230	360	13,1	14,1
POOL2 100M	216	109	265	370	325	206	325	400	220	205	160	550		630	230	360	12,9	13,9
POOL2 100T														630	230	360	15,5	16,5
POOL2 150M	216	109	265	370	325	206	325	400	220	205	160	580		630	230	360	13,9	14,9
POOL2 150T														630	230	360	17,1	18,1
POOL2 200M	216	109	265	370	325	206	325	400	220	205	160	580		630	230	360	14,9	15,9
POOL2 200T														630	230	360	21	22
POOL2 300M	216	109	265	370	325	206	325	400	220	205	160	630	705	230	360	17,4	18,4	
POOL2 300T																		



# POOL2 EASY

Swimming Pool



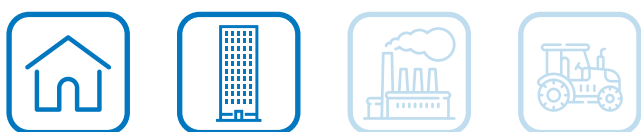
The new electronic system for pumps EASY Control applicable to the POOL2 Series is an integral system to command the installation. By attaching a digital switchboard control panel to the pump, allows an easy and intuitive installation and complete control of the pool. The system incorporates the necessary protections for the pump and for people, time clocks and input / outputs for the management of the lighting system, salt chlorinator, heat pump, temperature probe, etc.

Pre-filter sieve

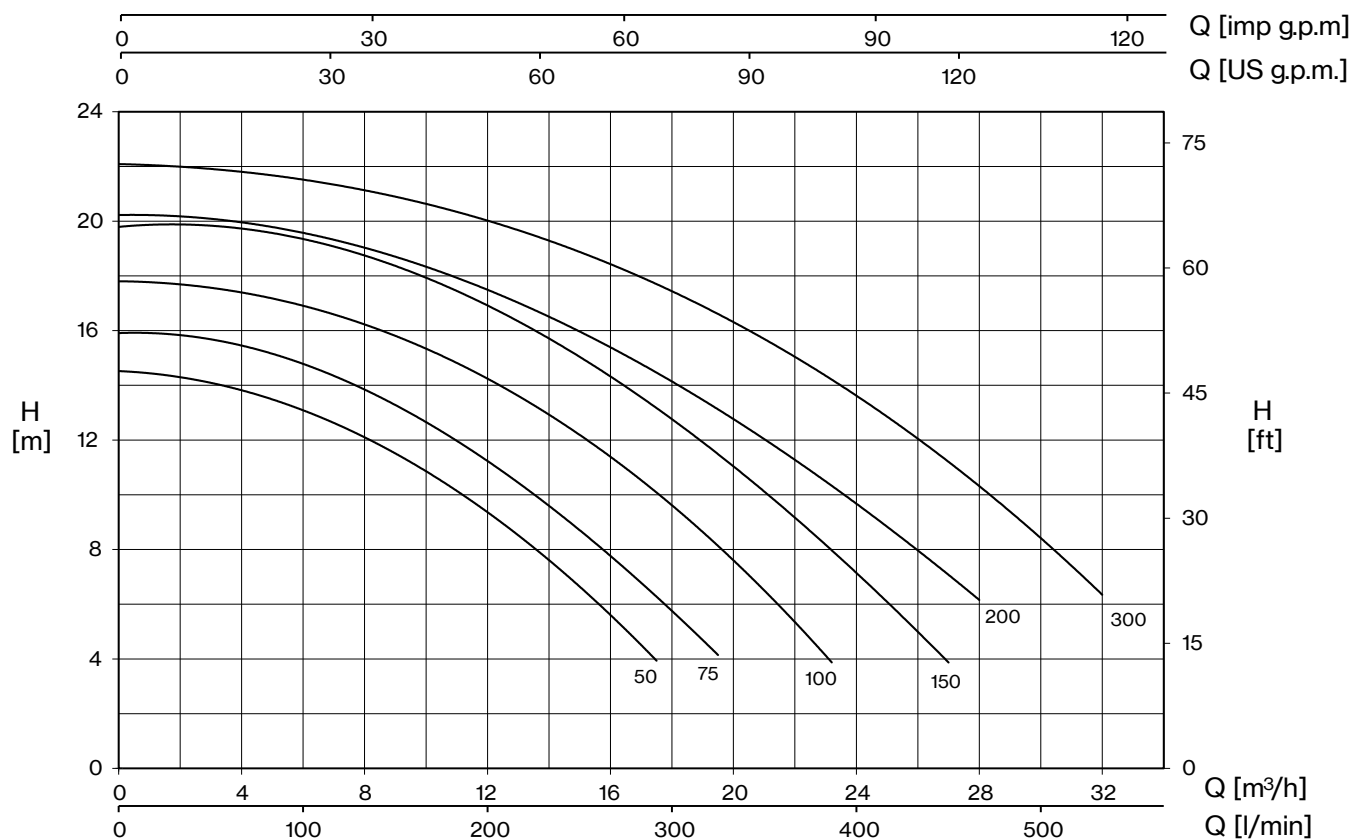
Wall support

Construction features	
<b>Pump body, seal housing, diffuser</b>	polypropylene
<b>Motor bracket</b>	aluminum
<b>Impeller</b>	Noryl®
<b>Mechanical seal</b>	ceramic-graphite-AISI 316
<b>Motor shaft</b>	stainless steel AISI 316
<b>Liquid temperature</b>	max 40 °C
<b>Pre-filter cover</b>	polycarbonate
<b>Opening key for pre-filter lid</b>	polypropylene

Motor	
<b>2 Poles induction motor</b>	1~ 230V - 50Hz 3~ 230/400V - 50Hz
<b>Insulation class</b>	F
<b>Protection degree</b>	IP55
<b>Integral system for pool control</b>	EASY Control incorporated into the pump



# POOL2 EASY



TYPE	P2		μF	AMPERE	H (m)										DNA	DNM	
				1~	4	6	8	10	12	14	16	18	21				
	HP	kW		230 V	Q (m³/h)												
POOL2 EASY 50M	0,5	0,37	20	4,4	17,5	15,6	13,5	11,1	8,4							2" Ø 63 PVC	
POOL2 EASY 75M	0,75	0,55	20	4,75	19,5	18,0	15,7	13,5	10,8	7,9							
POOL2 EASY 100M	1	0,75	25	5,5	23,2	21,1	19,77	18,0	15,0	12,3	8,7,0						
POOL2 EASY 150M	1,5	1,1	30	7,3	27,0	25,0	23,0	21,0	19,0	17,0	13,0	10,0					
POOL2 EASY 200M	2	1,5	40	9,2		28,0	26,0	24,0	21,0	18,0	14,0	12,0					
POOL2 EASY 300M	3	2,2	40	12,2		32,0	30,0	29,0	27,0	23,0	20,0	15,0	12,0				



# POOL2-I

Swimming Pool



The pump includes a variable speed drive for greater comfort and minimized energy costs, in addition to the following features: 5 configurable daily filtration cycles, filter cleaning program, pool lighting control, function for water surface cleaning, 2 outputs for activating saline chlorinator and pump status, protection for over voltage, against dry running and pipe breakage.

Pre-filter sieve

Self-vented wall support

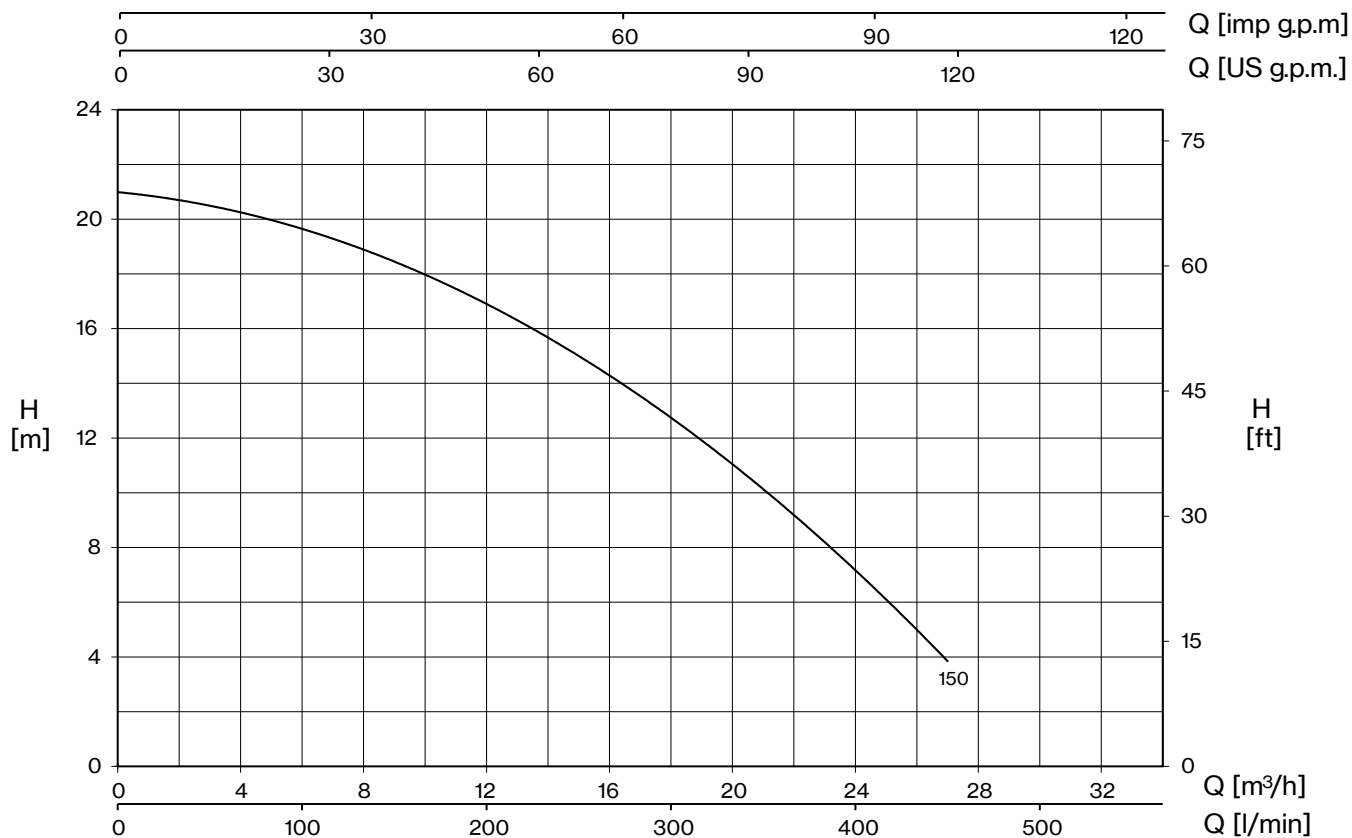
Construction features	
<b>Pump body, seal housing, diffuser</b>	polypropylene
<b>Motor bracket</b>	aluminum
<b>Impeller</b>	Noryl®
<b>Mechanical seal</b>	ceramic-graphite-AISI 316
<b>Motor shaft</b>	stainless steel AISI 316
<b>Liquid temperature</b>	max 40 °C
<b>Pre-filter cover</b>	polycarbonate
<b>Opening key for pre-filter lid</b>	polypropylene

Motor	
<b>2 Poles induction motor</b>	1~ 230V - 50Hz
<b>Insulation class</b>	F
<b>Protection degree</b>	IP55
<b>Integral system for pool control</b>	with variable speed drive included





# POOL2-I



TYPE	P2		μF	AMPERE	H (m)								DNA	DNM
				1~	4	6	8	10	12	14	16	18		
1~	HP	kW		230 V	Q (m³/h)									
<b>POOL2-I 150M</b>	1,5	1,1	30	7,3	27	25	23	21	19	17	13	10	2" Ø 63 PVC	



# POOL2-IM

Swimming Pool



New range of pool pumps that include variable speed drive of easy and intuitive setup and high efficiency IE5 synchronous motor with permanent magnets. The combination of these two innovative technologies, assure energy savings up to 80% compared to the traditional pumps. The pump is extremely silent ( $\approx 40$  dB) and has great versatility as one single model is suitable for pools of size from 15 m<sup>3</sup> to 450 m<sup>3</sup>.

Pre-filter sieve

Self-vented wall support

## Construction features

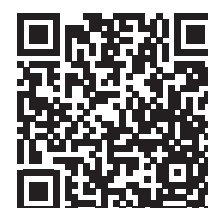
<b>Pump body, seal housing, diffuser</b>	polypropylene
<b>Motor bracket</b>	aluminum
<b>Impeller</b>	Noryl®
<b>Mechanical seal</b>	ceramic-graphite-AISI 316
<b>Motor shaft</b>	stainless steel AISI 316
<b>Liquid temperature</b>	max 40 °C
<b>Pre-filter cover</b>	polycarbonate
<b>Opening key for pre-filter lid</b>	polypropylene

## Motor

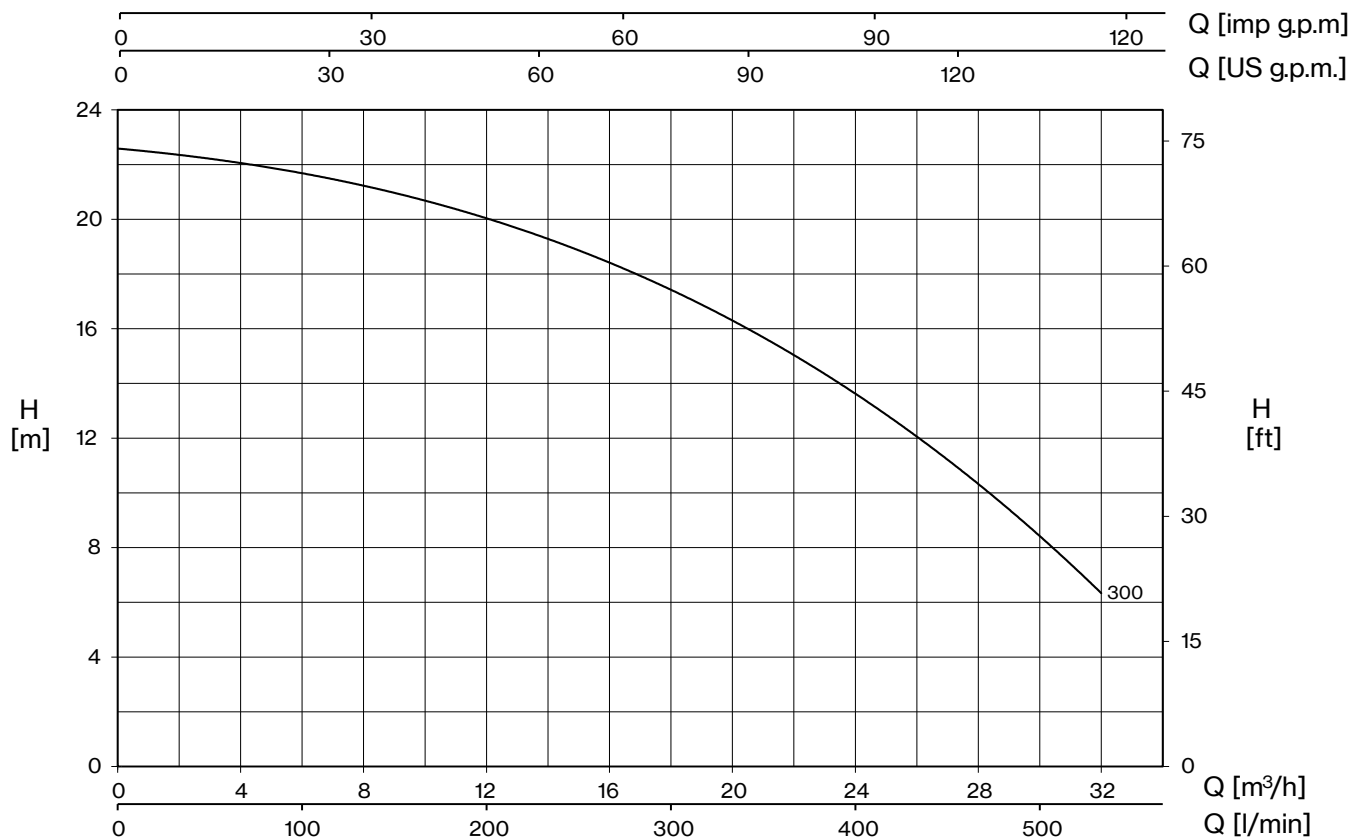
<b>2 Poles induction motor</b>	1~ 230V - 50Hz
<b>Insulation class</b>	F
<b>Protection degree</b>	IP55
<b>Integral system for pool control</b>	with variable speed drive included

UP TO **80%**  
ENERGY SAVING

efficiency class  
**IE5**



# POOL2-IM



TYPE	P2		μF	AMPERE	H (m)								DNA	DNM
				1~	6	8	10	12	14	16	18	21		
1~	HP	kW	40	230 V	Q (m³/h)								2" Ø 63 PVC	
<b>POOL2-IM 300M</b>	3	2,2			12,2	32	30	29	27	23	20	15		





Self-priming pump for pools with large pre-filter basket for high filtration capacity. The cataphoresis painting, the pump body in polypropylene with glass fiber and the screws in AISI316 steel give a remarkable resistance to corrosion.

### Construction features

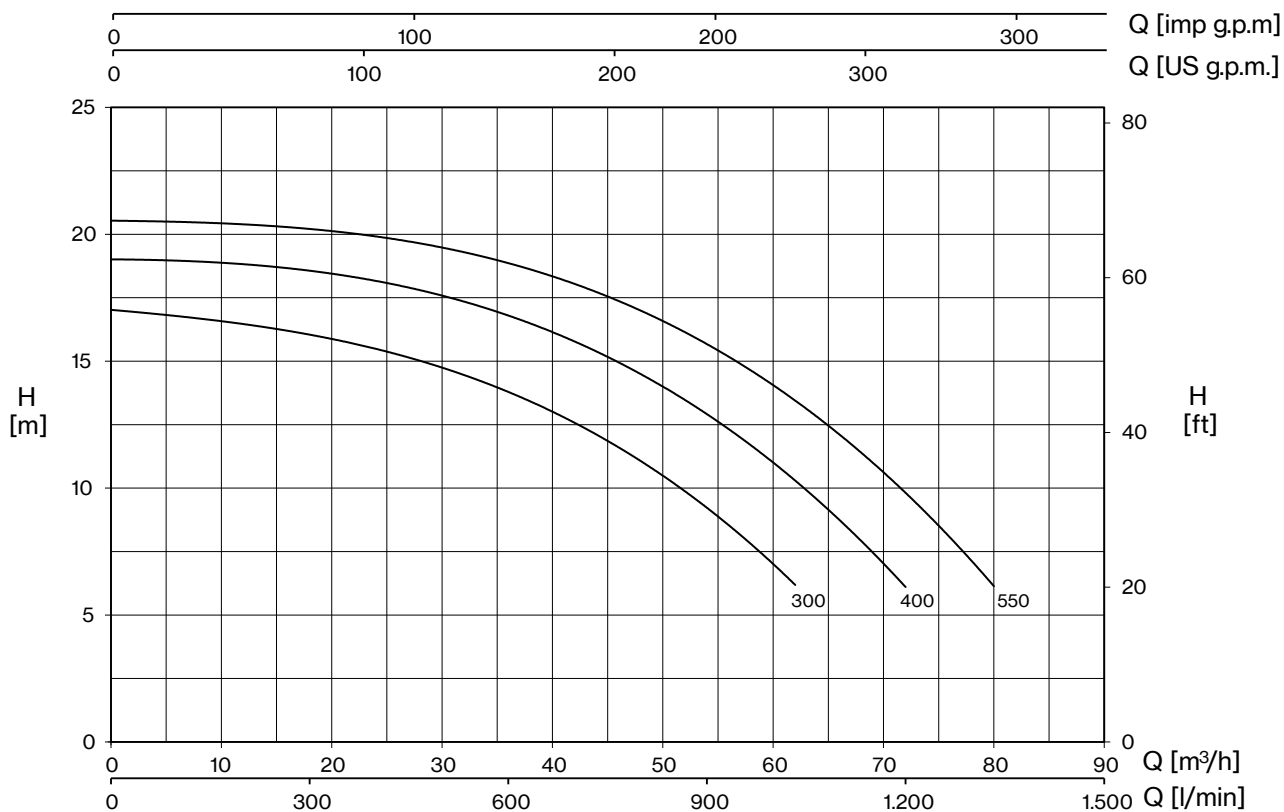
<b>Painting</b>	cataphoresis
<b>Pump body, seal housing, diffuser</b>	polypropylene + fiber glass
<b>Motor bracket</b>	aluminum
<b>Impeller</b>	Noryl®
<b>Mechanical seal</b>	ceramic-graphite-AISI 316
<b>Motor shaft</b>	stainless steel AISI 316
<b>Liquid temperature</b>	max 40 °C
<b>Pre-filter cover</b>	polycarbonate
<b>Opening key for pre-filter lid</b>	polypropylene

### Motor

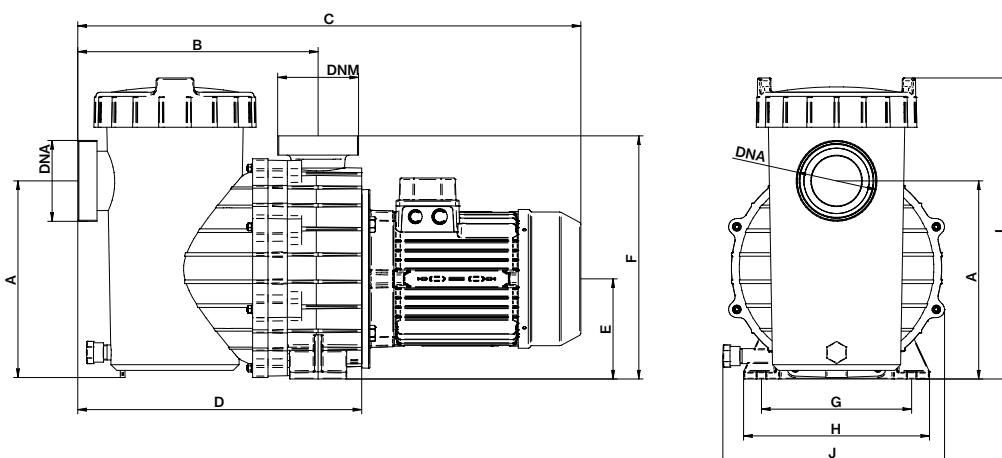
<b>2 Poles induction motor</b>	3~ 230V/400V - 50Hz
<b>Insulation class</b>	F
<b>Protection degree</b>	IP55



# POOL3



TYPE	P2		AMPERE		rpm	H (m)							
			3~	3~		6	8	10	12	14	16	18	20
3~	HP	kW	230 V	400V		Q (m³/h)							
POOL3 300	3	2,2	9,4	5,3	2900	62	58	52	44	34	20		
POOL3 400	4	3	12,5	6,9	2900	72	68	63	57	50	40	27	
POOL3 550	5,5	4	-	8,8	2900	80	76	72	67	60	52	41	26



TYPE	DIMENSIONS (mm)											
	A	B	C	D	E	F	G	H	I	J	DNA	DNM
POOL3 300	277	336	704	397	140	340	210	260	420	310		
POOL3 400	277	336	704	397	140	340	210	260	420	310	PVC 90	PVC 90
POOL3 550	277	336	704	397	140	340	210	260	420	310		





High-flow self-priming pool pump available at 4 poles up to 10 HP ideal for quiet operation and larger filtration. Cataphoresis painting, screws in AISI316 and pump body in polypropylene with glass fiber give a remarkable resistance to corrosion. In addition, a large support base make the whole system particularly robust.



Bronze impeller (on request)

### Construction features

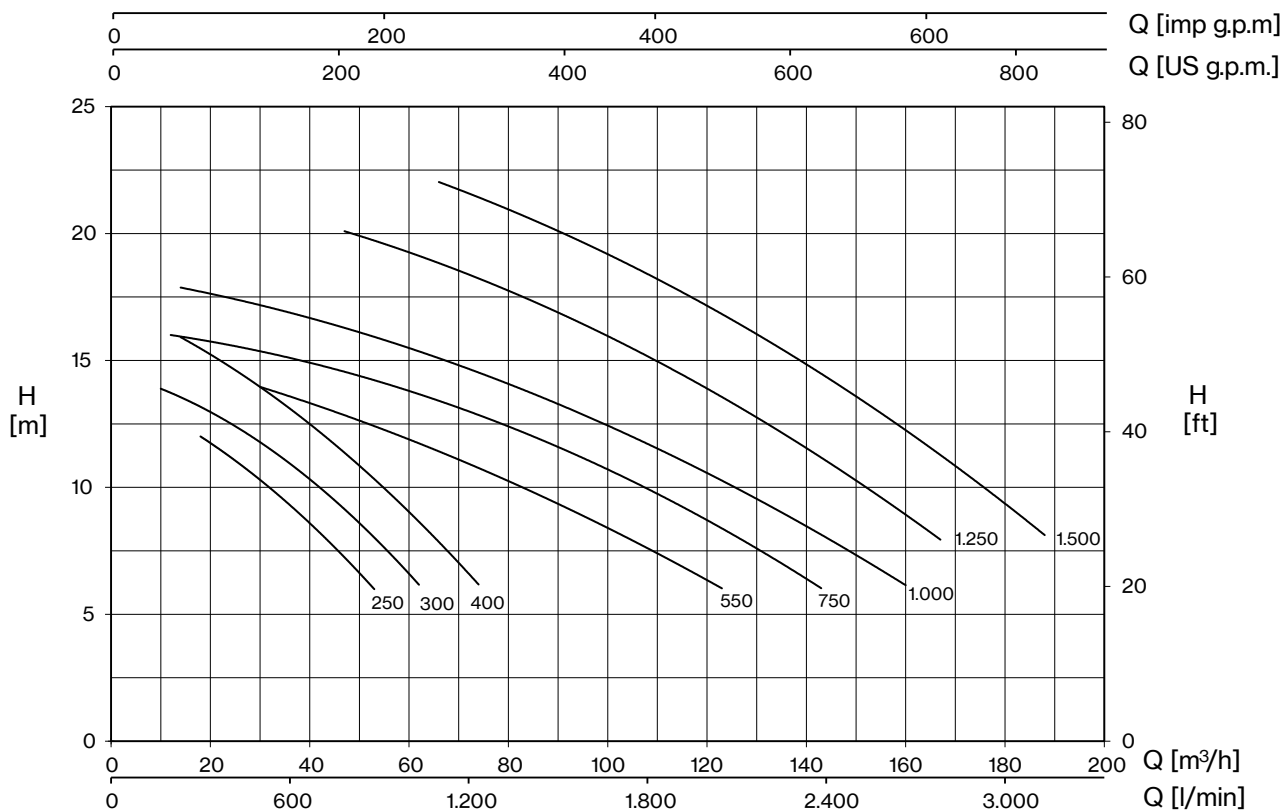
<b>Painting</b>	cataphoresis
<b>Pump body, seal housing, diffuser</b>	polypropylene + fiber glass
<b>Motor bracket</b>	aluminum
<b>Impeller</b>	Noryl®, marine bronze on request
<b>Mechanical seal</b>	ceramic-graphite-AISI 316
<b>Motor shaft</b>	stainless steel AISI 316
<b>Liquid temperature</b>	max 40 °C
<b>Pre-filter cover</b>	polycarbonate
<b>Support base</b>	Noryl®

### Motor

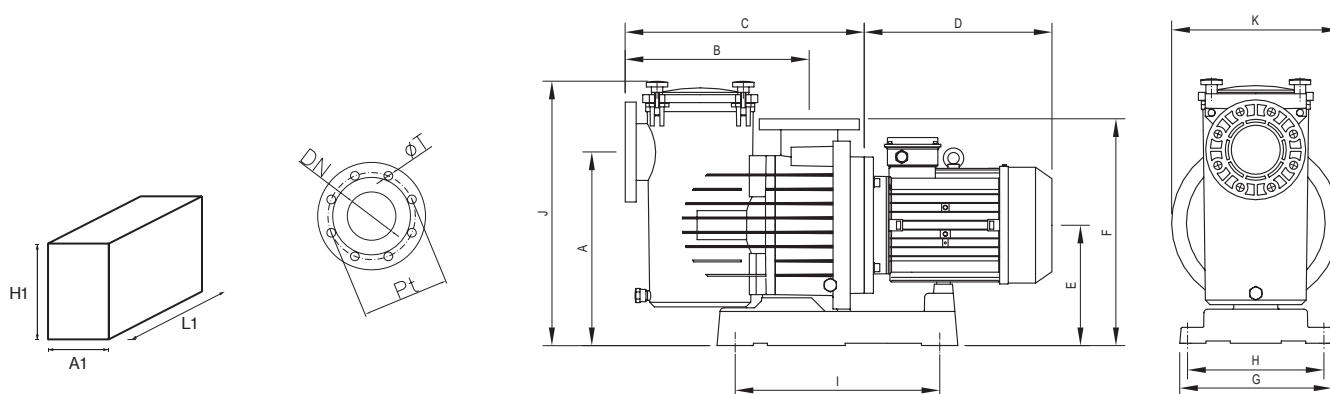
<b>2 Poles induction motor</b>	3~ 230V/400V - 50Hz 3~ 400V/690V - 50Hz
<b>Insulation class</b>	F
<b>Protection degree</b>	IP55



# POOL4



TYPE	P2		AMPERE		rpm	H (m)								DNA	DNM	Minimum size of suction pipe	
			3~	3~		Q (m³/h)											
	HP	kW	230 V	400V		6	8	10	12	14	16	18	20				22
POOL4 4-250	2,5	1,8	8,5	4,9	1450	53	43	32	18								110
POOL4 4-300	3	2,2	9,4	5,3	1450	62	54	43	26	10							125
POOL4 4-400	4	3	12,5	6,9	1450	74	66	56	42	29	14						140
POOL4 4-550	5,5	4	15,3	8,8	1450	123	104	84	57	30							160
POOL4 4-750	7,5	5,5	-	12	1450	143	127	107	85	57	12						180
POOL4 4-1000	10	7,5	-	15,8	1450	160	145	126	107	80	48	14					180
POOL4 2-1250	12,5	9,2	-	18,5	2850		167	152	136	118	99	80	47				180
POOL4 2-1500	15	11	-	20,9	2850		188	177	162	146	130	112	92	66			200



TYPE	DIMENSIONS (mm)																Kg	
	A	B	C	D	E	F	G	H	I	J	K	DN	øT	Pt	A1	H1		L1
POOL4 4-250	420	405	530	310	265	495	335	300	450	590	370				385	595	840	42
POOL4 4-300	420	405	530	310	265	495	335	300	450	590	370				385	595	840	42,5
POOL4 4-400	420	405	530	310	265	495	335	300	450	590	370				385	595	840	44,5
POOL4 4-550	420	405	530	335	265	495	335	300	450	590	370	110	16	180	385	715	1170	53,4
POOL4 4-750	420	405	508	380	265	495	335	300	450	590	370				385	715	1170	66
POOL4 4-1000	420	405	508	380	265	495	335	300	450	590	370				385	715	1170	76
POOL4 2-1250	420	405	508	380	265	495	335	300	450	590	370				385	715	1170	84,5
POOL4 2-1500	420	405	508	380	265	495	335	300	450	590	370				385	715	1170	85,5





High-flow self-priming vertical pool pump available at 4 poles up to 10 HP ideal for quiet operation and larger filtration. Cathaphoresis painting, pre-filter in AISI316 and pump body in polypropylene with glass fiber give a remarkable resistance to corrosion. In addition, a large support base make the whole system particularly robust.



Bronze impeller (on request)

### Construction features

<b>Painting</b>	cataphoresis
<b>Pump body, seal housing, diffuser</b>	polypropylene + fiber glass
<b>Motor bracket</b>	aluminum
<b>Impeller</b>	Noryl®, marine bronze on request
<b>Mechanical seal</b>	ceramic-graphite-AISI 316
<b>Motor shaft</b>	stainless steel AISI 316
<b>Liquid temperature</b>	max 40 °C
<b>Pre-filter</b>	stainless steel AISI 316L

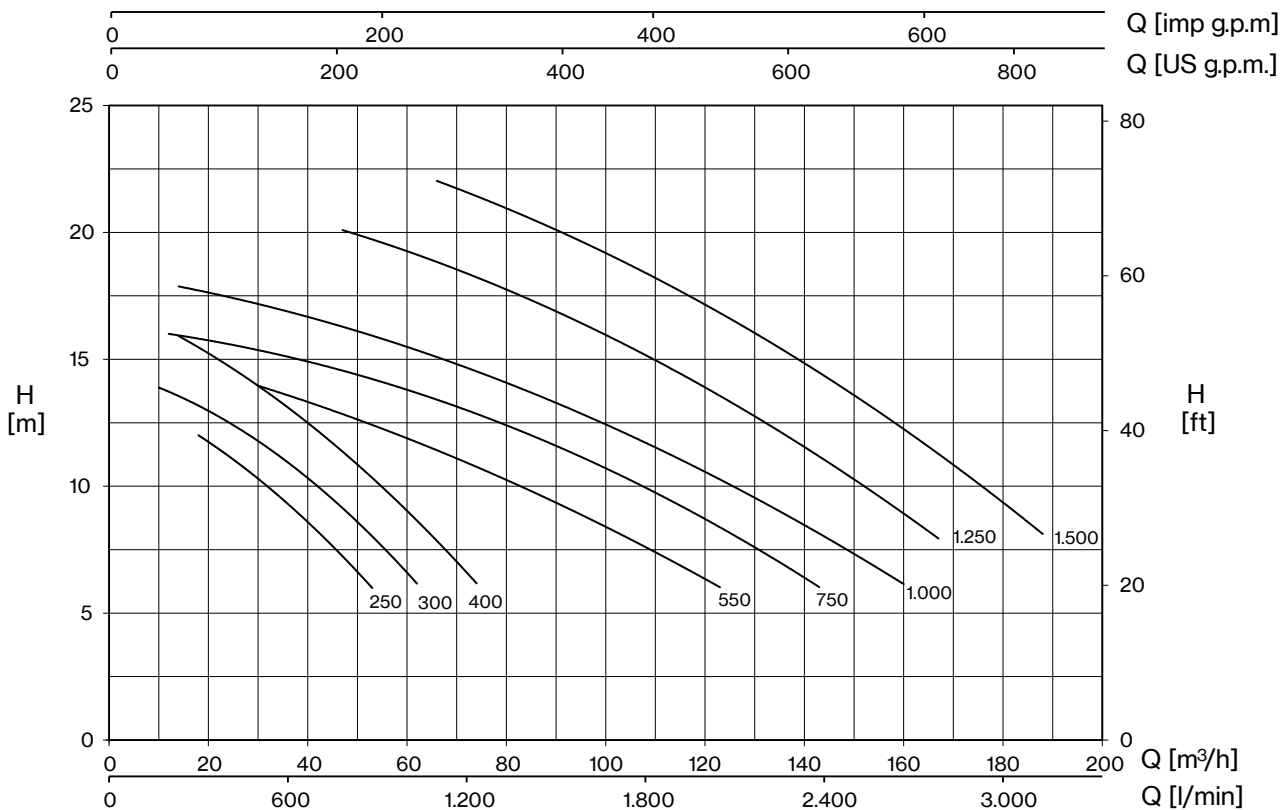
### Motor

<b>2 Poles induction motor</b>	3~ 230V/400V - 50Hz 3~ 400V/690V - 50Hz
<b>Insulation class</b>	F
<b>Protection degree</b>	IP55

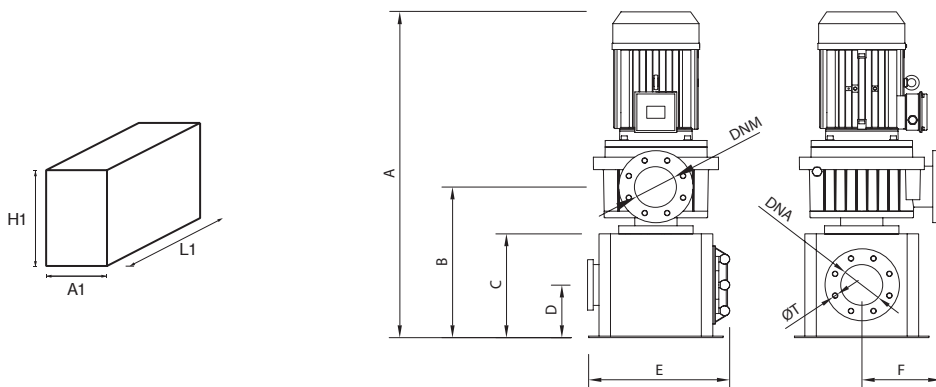




# V-POOL4



TYPE	P2		AMPERE		rpm	H (m)												DNA	DNM	Minimum size of suction pipe
			3~	3~		Q (m³/h)														
	HP	kW	230 V	400V		6	8	10	12	14	16	18	20	22						
V-POOL4 4-250	2,5	1,8	8,5	4,9	1450	53	43	32	18										110	
V-POOL4 4-300	3	2,2	9,4	5,3	1450	62	54	43	26	10									125	
V-POOL4 4-400	4	3	12,5	6,9	1450	74	66	56	42	29	14								140	
V-POOL4 4-550	5,5	4	15,3	8,8	1450	123	104	84	57	30									160	
V-POOL4 4-750	7,5	5,5	-	12	1450	143	127	107	85	57	12								180	
V-POOL4 4-1000	10	7,5	-	15,8	1450	160	145	126	107	80	48	14							180	
V-POOL4 2-1250	12,5	9,2	-	18,5	2850		167	152	136	118	99	80	47						180	
V-POOL4 2-1500	15	11	-	20,9	2850		188	177	162	146	130	112	92	66					200	



TYPE	DIMENSIONS (mm)															Kg		
	A	B	C	D	E	F	G	H	I	J	K	DN	ØT	Pt	A1		H1	L1
V-POOL4 4-250	420	405	530	310	265	495	335	300	450	590	370	110	16	180	385	595	840	42
V-POOL4 4-300	420	405	530	310	265	495	335	300	450	590	370				385	595	840	42,5
V-POOL4 4-400	420	405	530	310	265	495	335	300	450	590	370				385	595	840	44,5
V-POOL4 4-550	420	405	530	335	265	495	335	300	450	590	370				385	715	1170	53,4
V-POOL4 4-750	420	405	508	380	265	495	335	300	450	590	370				385	715	1170	66
V-POOL4 4-1000	420	405	508	380	265	495	335	300	450	590	370				385	715	1170	76
V-POOL4 2-1250	420	405	508	380	265	495	335	300	450	590	370				385	715	1170	84,5
V-POOL4 2-1500	420	405	508	380	265	495	335	300	450	590	370				385	715	1170	85,5



# POOL4-I

Swimming Pool



POOL4-I is the new generation of Commercial pool pumps integrating a new frequency inverter to get a great comfort and minimize the energy costs. The system allows the programming of several daily filtration cycles with different operating speed for each cycle. In installations with several POOL4-I the pumps automatically communicate and alternate to work the same amount of hours. Capable to work more than one pump at the same time.



Self ventilated wall support

## Construction features

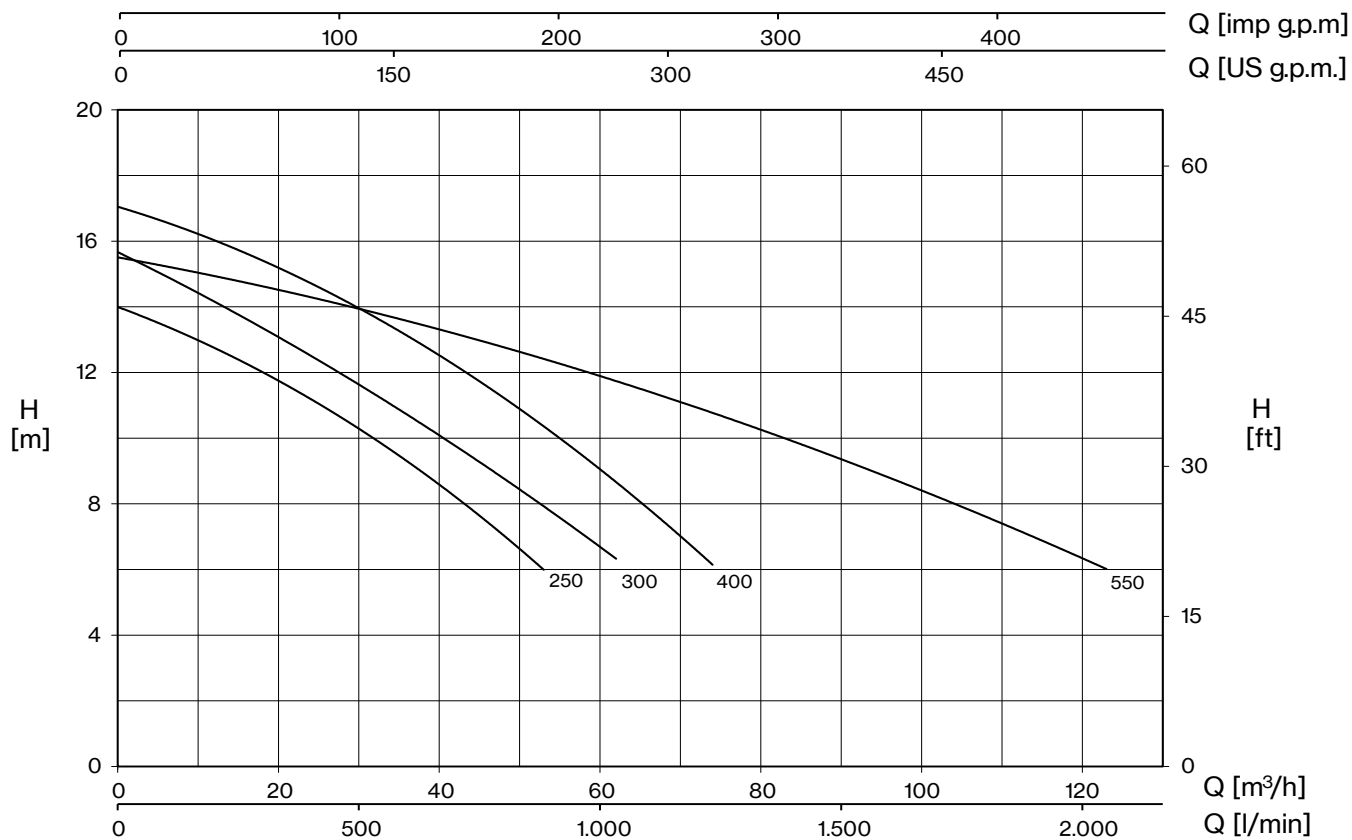
<b>Painting</b>	cataphoresis
<b>Pump body, seal housing, diffuser</b>	polypropylene + fiber glass
<b>Motor bracket</b>	aluminum
<b>Impeller</b>	Noryl®, marine bronze on request
<b>Mechanical seal</b>	ceramic-graphite-AISI 316
<b>Motor shaft</b>	stainless steel AISI 316
<b>Liquid temperature</b>	max 40 °C
<b>Pre-filter cover</b>	polycarbonate
<b>Support base</b>	Noryl®

## Motor

<b>2 Poles induction motor</b>	3~ 230V/400V - 50Hz
<b>Insulation class</b>	F
<b>Protection degree</b>	IP55
<b>Integral system for pool control</b>	with variable speed drive included



# POOL4-I



TYPE	P2		rpm	H (m)						DNA	DNM	Minimum size of suction pipe
	HP	kW		6	8	10	12	14	16			
3~			Q (m <sup>3</sup> /h)									
POOL4-I 4-250	2,5	1,8	1450	53	43	32	18			110	110	
POOL4-I 4-300	3	2,2	1450	62	54	43	26	10			125	
POOL4-I 4-400	4	3	1450	74	66	56	42	29	14		140	
POOL4-I 4-550	5,5	4	1450	123	104	84	57	30			160	



# POOL4-IM

Swimming Pool



POOL4-IM is the new generation of commercial pool pumps integrating a frequency inverter and high efficiency IE5 synchronous motor with permanent magnets for greater comfort and minimize energy cost. The system allows the programming of several daily filtration cycles with different operating speed for each cycle. In installations with several pumps they automatically communicate and alternate to work the same amount of hours.



Self vented wall support

## Construction features

<b>Painting</b>	cataphoresis
<b>Pump body, seal housing, diffuser</b>	polypropylene + fiber glass
<b>Motor bracket</b>	aluminum
<b>Impeller</b>	Noryl®
<b>Mechanical seal</b>	ceramic-graphite-AISI 316
<b>Motor shaft</b>	stainless steel AISI 316
<b>Liquid temperature</b>	max 40 °C
<b>Pre-filter cover</b>	polycarbonate
<b>Support base</b>	Noryl®

## Motor

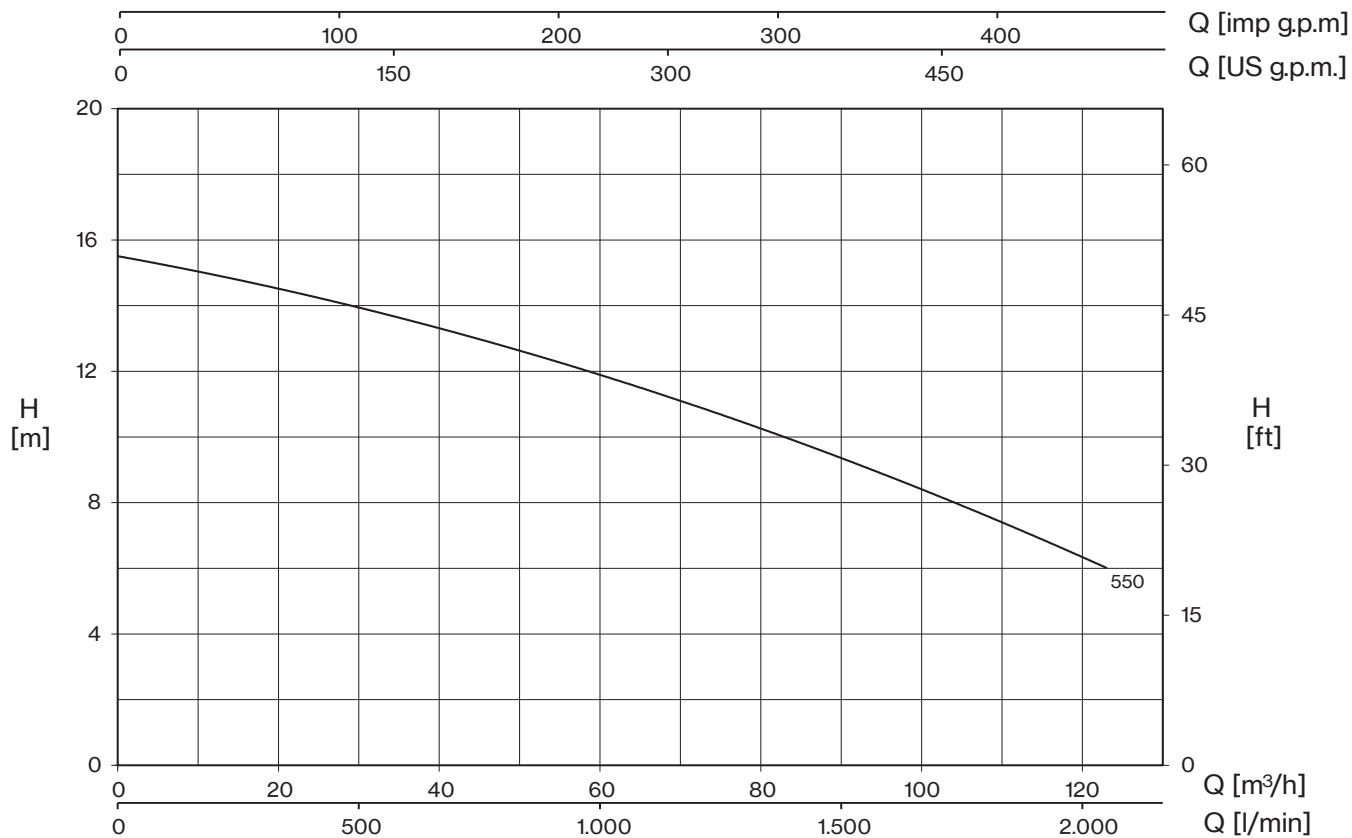
<b>2 Poles induction motor</b>	3- 400V - 50Hz
<b>Insulation class</b>	F
<b>Protection degree</b>	IP55
<b>Integral system for pool control</b>	with variable speed drive included



efficiency class  
**IE5**



# POOL4-IM



TYPE	P2		rpm	H (m)					DNA	DNM	Minimum size of suction pipe
				6	8	10	12	14			
3~	HP	kW		Q (m³/h)							
<b>POOL4-IM 4-550</b>	5,5	4	1450	123	104	84	57	30	110		160





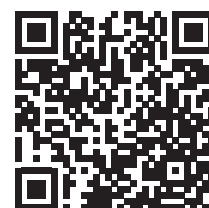
Pump ideal for countercurrent swimming installation and can be used in water parks, fountains, waterfalls, etc. The pump body in polypropylene reinforced with glass fiber allows it to resist the chemicals of the pools and guarantee excellent durability.

### Construction features

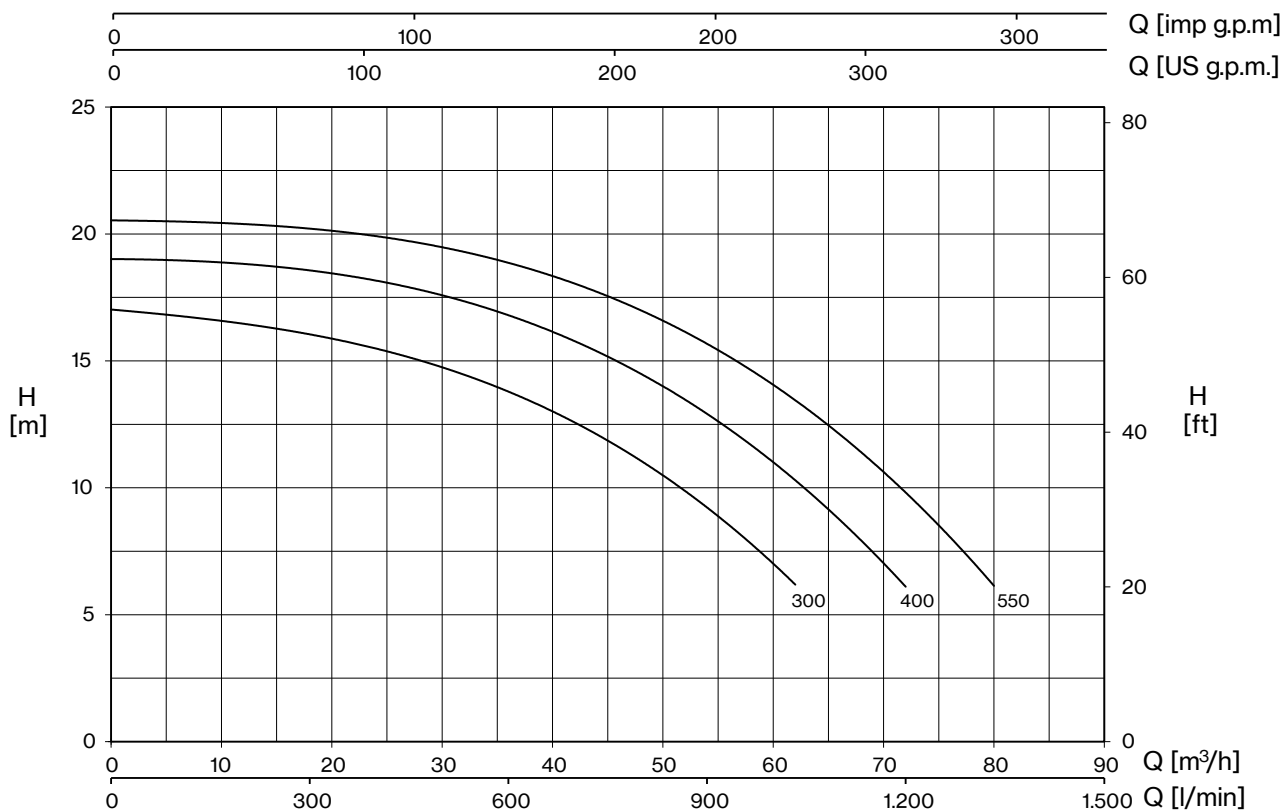
<b>Painting</b>	cataphoresis
<b>Pump body, seal housing, diffuser</b>	polypropylene + fiber glass
<b>Motor bracket</b>	aluminum
<b>Impeller</b>	Noryl®, marine bronze on request
<b>Mechanical seal</b>	ceramic-graphite-AISI 316
<b>Motor shaft</b>	stainless steel AISI 316
<b>Liquid temperature</b>	max 40 °C

### Motor

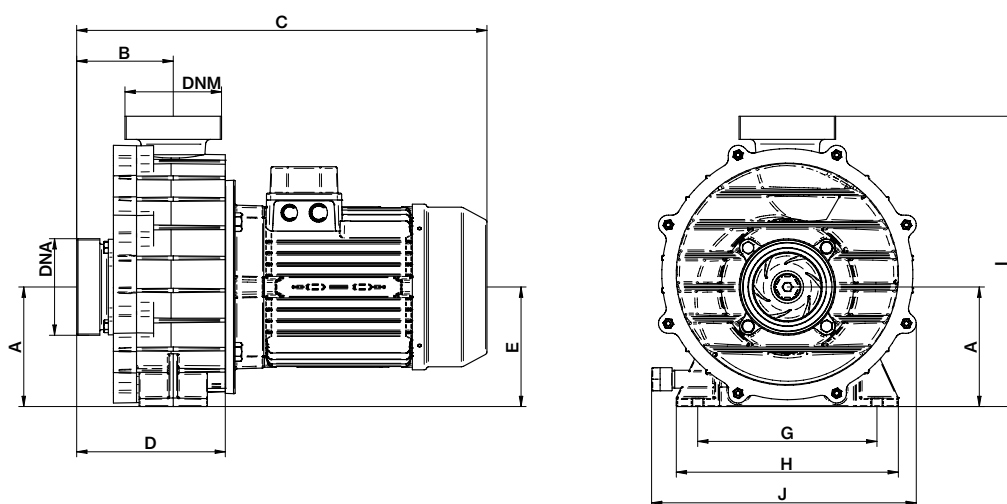
<b>2 poles induction motor</b>	3~ 230/400V - 50Hz
<b>Insulation class</b>	F
<b>Protection degree</b>	IP55



# POOL5



TYPE	P2		AMPERE		rpm	H (m)								DNA	DNM
			3~	3~		6	8	10	12	14	16	18	20		
3~	HP	kW	230 V	400V	Q (m³/h)										
<b>POOL5 300</b>	3	2,2	9,4	5,3	2900	62	58	52	44	34	20				
<b>POOL5 400</b>	4	3	12,5	6,9	2900	72	68	63	57	50	40	27		PVC90	
<b>POOL5 550</b>	5,5	4	-	8,8	2900	80	76	72	67	60	52	41	26		



TYPE	DIMENSIONS (mm)										DNA	DNM
	A	B	C	D	E	G	H	I	J			
<b>POOL5 300</b>	140	113	480	174	140	210	260	340	310			
<b>POOL5 400</b>	140	113	480	174	140	210	260	340	310	PVC 90	PVC 90	
<b>POOL5 550</b>	140	113	480	174	140	210	260	340	310			





Pump ideal for countercurrent swimming installation and can be used in water parks, fountains, waterfalls, etc. The pump body in polypropylene reinforced with glass fiber allows it to resist the chemicals of the pools and guarantee excellent durability.



Bronze impeller (on request)

### Construction features

<b>Painting</b>	cataphoresis
<b>Pump body, seal housing, diffuser</b>	polypropylene + fiber glass
<b>Motor bracket</b>	aluminum
<b>Impeller</b>	Noryl®, marine bronze on request
<b>Mechanical seal</b>	ceramic-graphite-AISI 316
<b>Motor shaft</b>	stainless steel AISI 316
<b>Liquid temperature</b>	max 40 °C

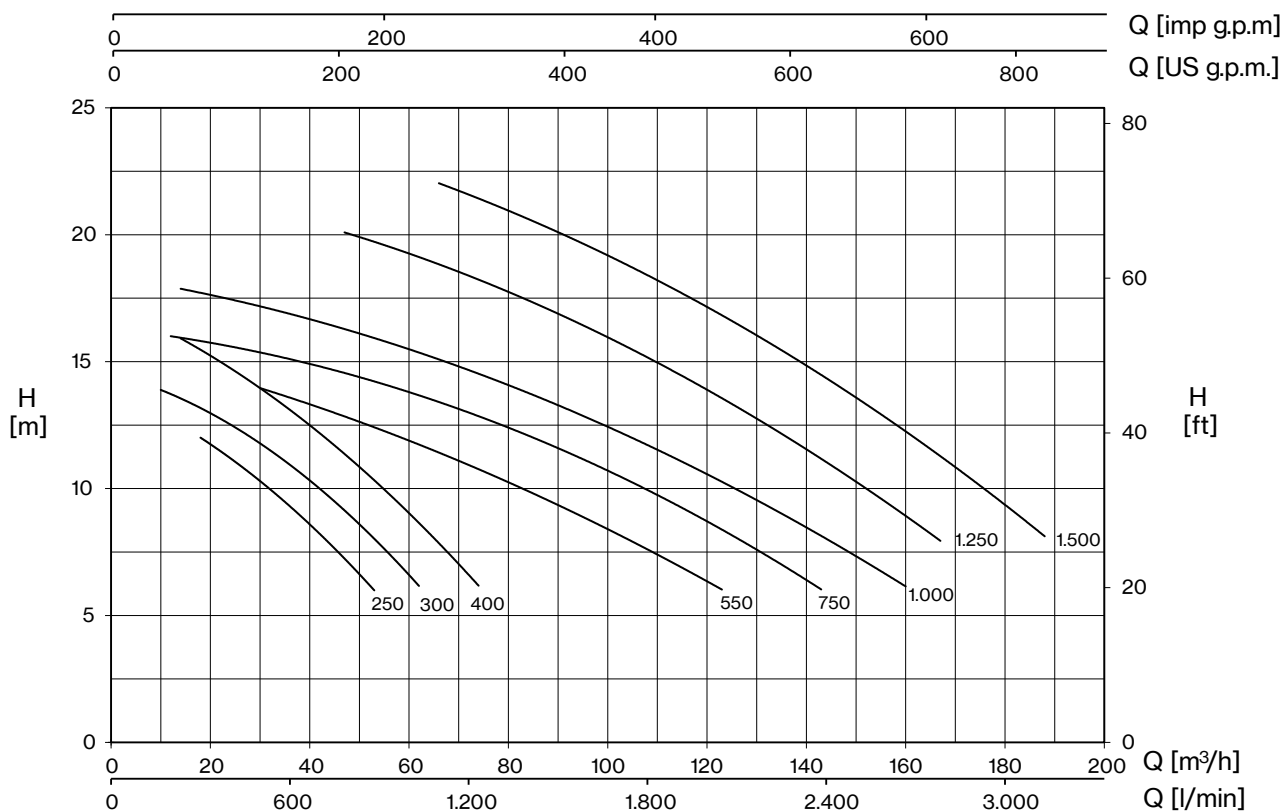
### Motor

<b>4 poles induction motor up to 10 HP</b>	3~ 230/400V - 50Hz 3~ 400/690V - 50Hz
<b>Insulation class</b>	F
<b>Protection degree</b>	IP55

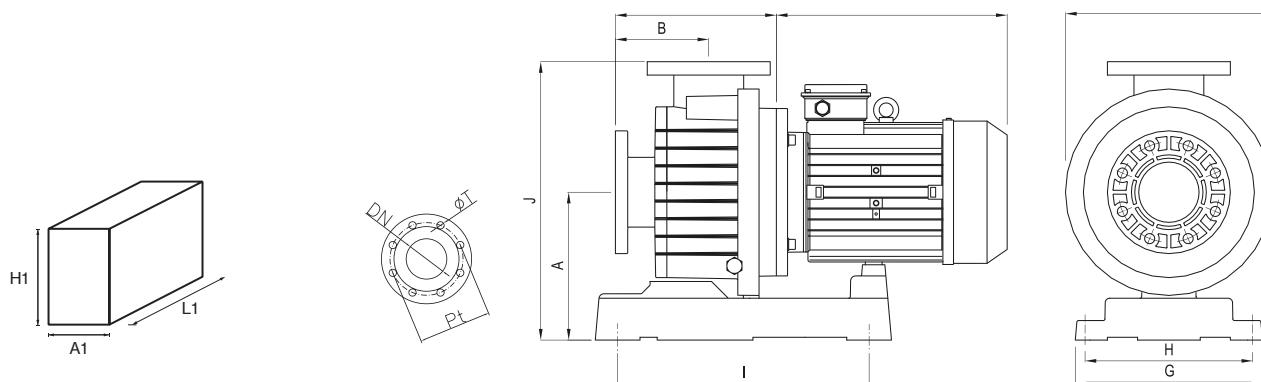




# POOL6



TYPE	P2		AMPERE		rpm	H (m)												DNA	DNM	Minimum size of suction pipe
			3~	3~		6	8	10	12	14	16	18	20	22						
	HP	kW	230 V	400V		Q (m3/h)														
POOL6 4-250	2,5	1,8	8,5	4,9	1450	53	43	32	18										110	
POOL6 4-300	3	2,2	9,4	5,3	1450	62	54	43	26	10									125	
POOL6 4-400	4	3	12,5	6,9	1450	74	66	56	42	29	14								140	
POOL6 4-550	5,5	4	15,3	8,8	1450	123	104	84	57	30									160	
POOL6 4-750	7,5	5,5	-	12	1450	143	127	107	85	57	12								180	
POOL6 4-1000	10	7,5	-	15,8	1450	160	145	126	107	80	48	14							180	
POOL6 2-1250	12,5	9,2	-	18,5	2850		167	152	136	118	99	80	47						180	
POOL6 2-1500	15	11	-	20,9	2850		188	177	162	146	130	112	92	66					200	



TYPE	DIMENSIONS (mm)																	Kg
	A	B	C	D	E	F	G	H	I	J	K	DN	øT	Pt	A1	H1	L1	
POOL6 4-250	265	165	255	310	335	300	450	495	370	385	370	110	16	180	385	595	840	37
POOL6 4-300	265	165	255	310	335	300	450	495	370	385	370				385	595	840	37,5
POOL6 4-400	265	165	255	310	335	300	450	495	370	385	370				385	595	840	39,5
POOL6 4-550	265	165	255	330	335	300	450	495	370	385	370				385	595	840	48,5
POOL6 4-750	265	165	255	380	335	300	450	495	370	385	370				385	595	840	61
POOL6 4-1000	265	165	255	380	335	300	450	495	370	385	370				385	595	840	71
POOL6 2-1250	265	165	255	380	335	300	450	495	370	385	370				385	595	840	79,5
POOL6 2-1500	265	165	255	380	335	300	450	495	370	385	370				595	715	840	80,5



# DOMESTIC FILTER

Swimming Pool



Laminated polyester filters with manual side mounted valve, indicated for private and commercial pools, including multiport 6 way valve (filtration, backwash, rinse, recycle, drain and closed), manometer and airbleased system.



Transparent screw cover (on request)

MODEL	Ø mm	Connection	Filtering surface m <sup>2</sup>	Flow V=50 m <sup>3</sup> /h	Sand Kg	Weight Kg
PFIL 400	400	1,5"	0,13	6,5	50	12
PFIL 510	510	1,5"	0,20	10,2	100	18
PFIL 620	620	1,5"	0,30	15,1	150	23,5
PFIL 680	680	2"	0,36	18,14	175	27
PFIL 750	750	2"	0,44	22	225	33
PFIL 900	900	2"	0,64	31,8	325	42

# FILTRATION KIT

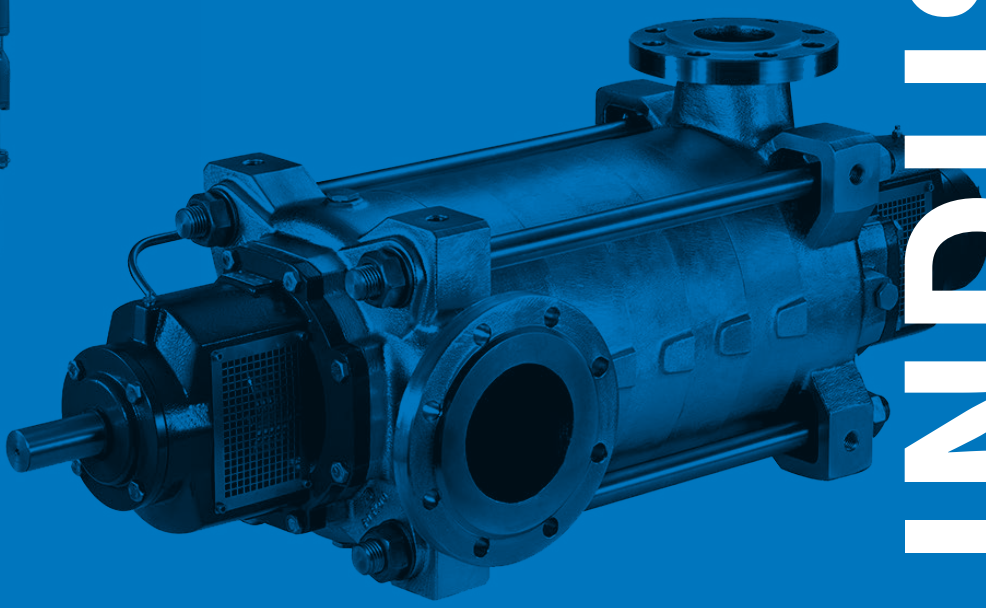
Swimming Pool



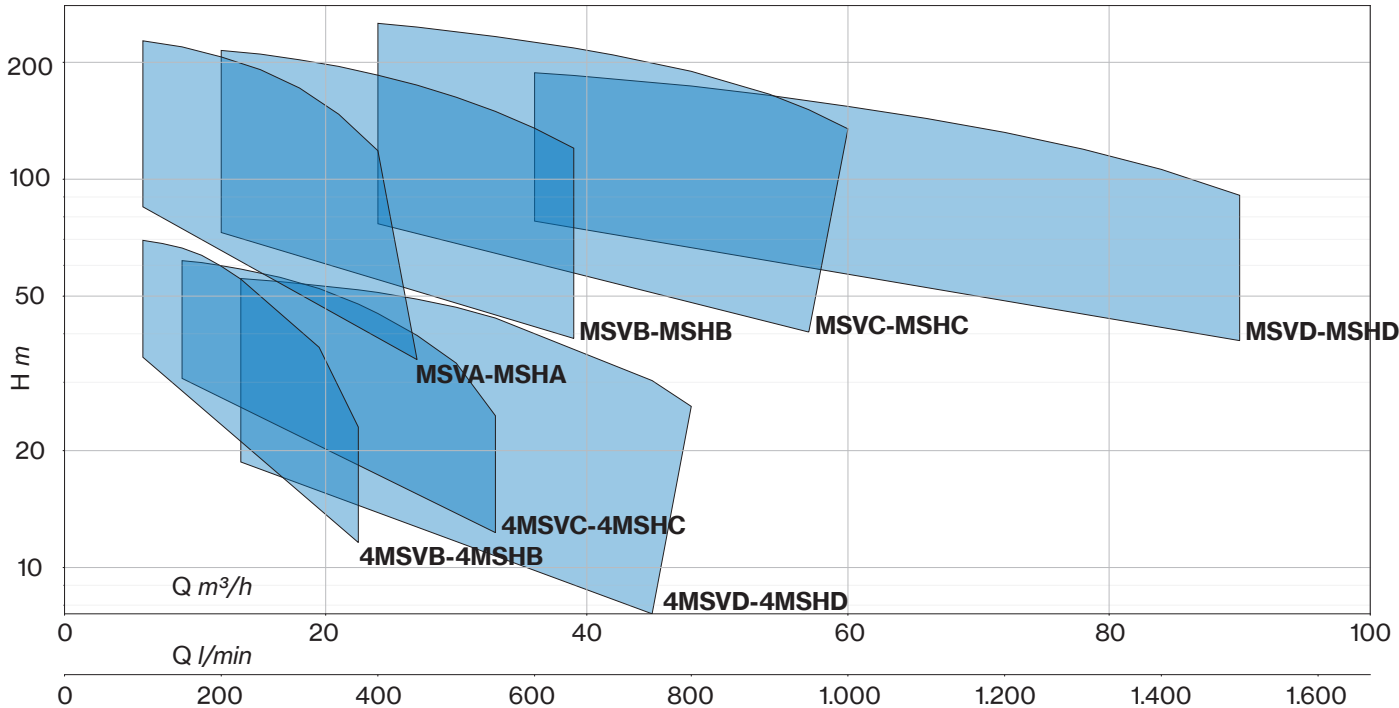
Filtration kit including a laminated filter with 6 way valve + swimming pool pump POOL1, ideal for private pool, all mounted on a common base.

MODEL	Ø mm	Connection	Filtering surface m <sup>2</sup>	Flow V=50 m <sup>3</sup> /h	Pump HP	Sand Kg	Weight Kg
PFIL EASY KIT 25	400	1,5"	0,13	6,5	0,25	50	19
PFIL EASY KIT 33	400	1,5"	0,13	7,5	0,33	50	19
PFIL EASY KIT 50	510	1,5"	0,20	8,5	0,50	100	26
PFIL EASY KIT 75	510	1,5"	0,20	10,2	0,75	100	26
PFIL EASY KIT 100	620	1,5"	0,30	15,1	0,95	150	29





# INDUSTRIAL LINE



# MSV - 4MSV

Industrial Line

Multi-stage centrifugal pumps that guarantee high pressure. Particularly suitable for civil and industrial applications, in particular pressurisation, fire fighting and washing systems.



## Construction features

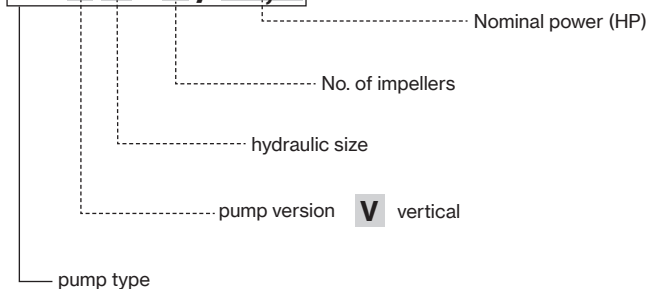
<b>Pump body</b>	cast iron
<b>Motor bracket</b>	cast iron
<b>Impeller</b>	brass
<b>Mechanical seal</b>	ceramic-graphite-NBR
<b>Shaft</b>	stainless steel AISI 304
<b>Liquid temperature</b>	-10 ÷ +90 °C
<b>Operating pressure</b>	max 30 bar

## Motor

<b>2 and 4 poles induction motor</b>	3~ 230/400V - 50Hz P ≤ 4kW 3~ 400/690V - 50Hz P > 4kW
<b>Insulation class</b>	F
<b>Protection degree</b>	IPX5



**MSV C - 3 / 18,5**



## MSV ~ 2900 r.p.m.

TYPE		P2		P1 kW	I(A) 3x400V	Q (m³/h - l/min - l/s)							
		HP	kW			0	6	9	12	15	18	21	24
							100	150	200	250	300	350	400
						H (m)							
MSVA	-3/5,5	7,5	5,5	6,0	10,1	88,2	86,3	83,7	78,6	71,2	62,6	53,4	43,2
	-4/7,5	10	7,5	7,8	13,0	118,0	116,7	113,0	106,5	96,8	85,2	73,1	59,7
	-5/9,2	12,5	9,2	9,8	16,4	148,2	145,9	138,8	130,0	119,8	105,2	90,7	73,8
	-6/11	15	11	11,8	19,6	177,5	174,2	168,9	158,9	144,2	126,7	107,9	88,0
	-8/15	20	15	15,5	26,3	237,8	233,4	227,0	213,8	194,8	171,4	146,0	119,5

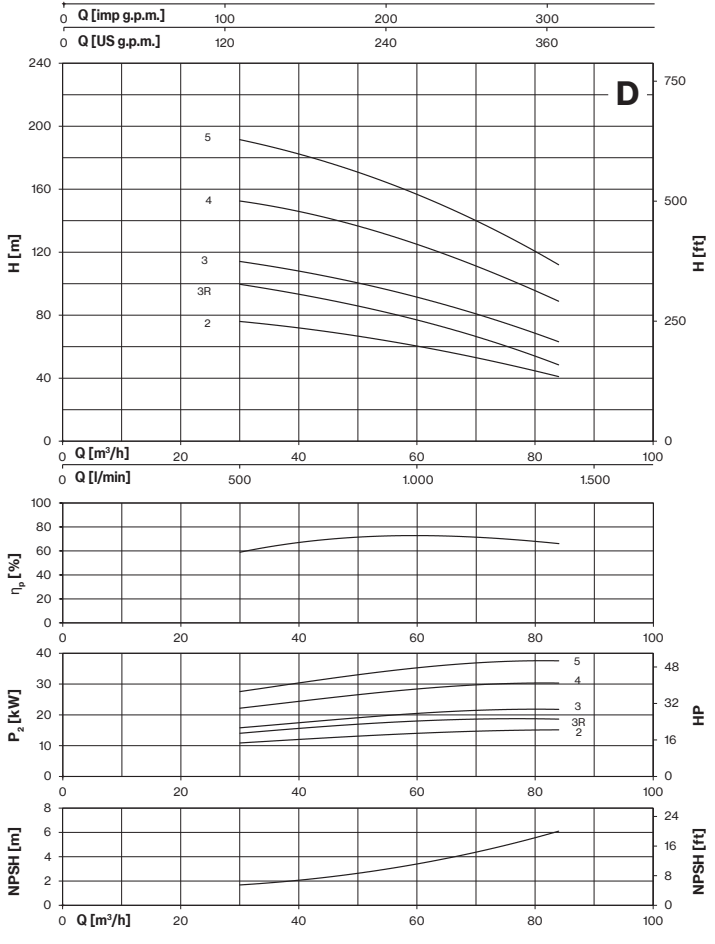
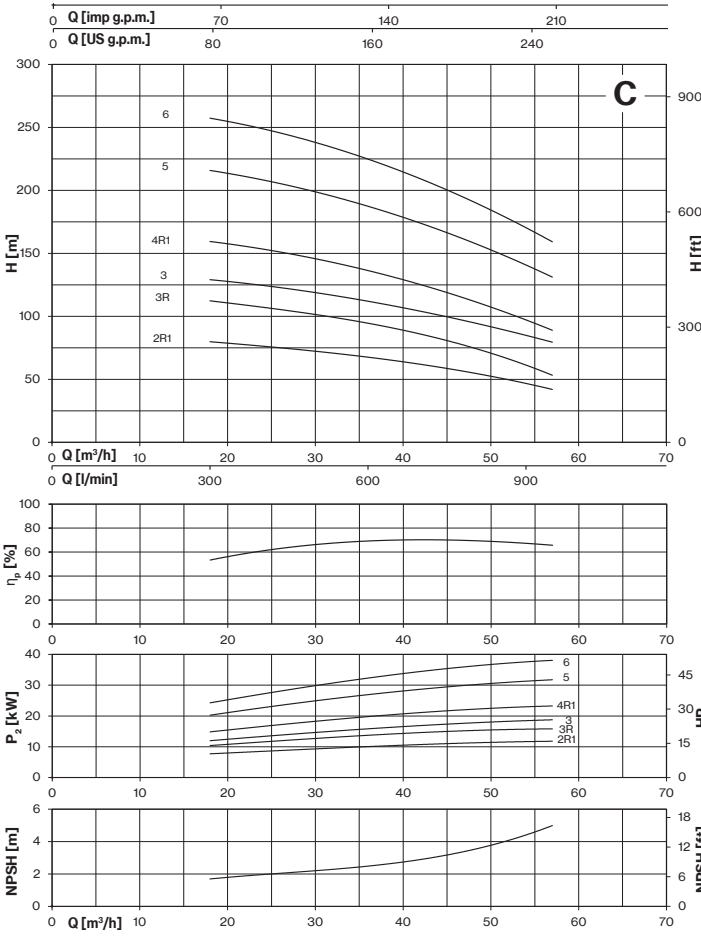
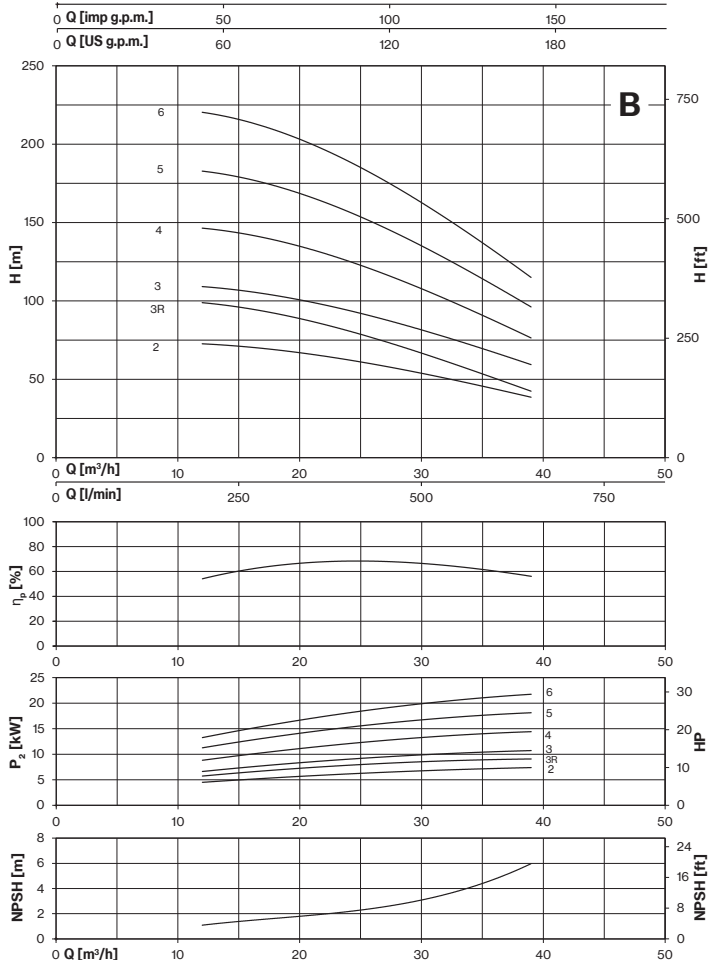
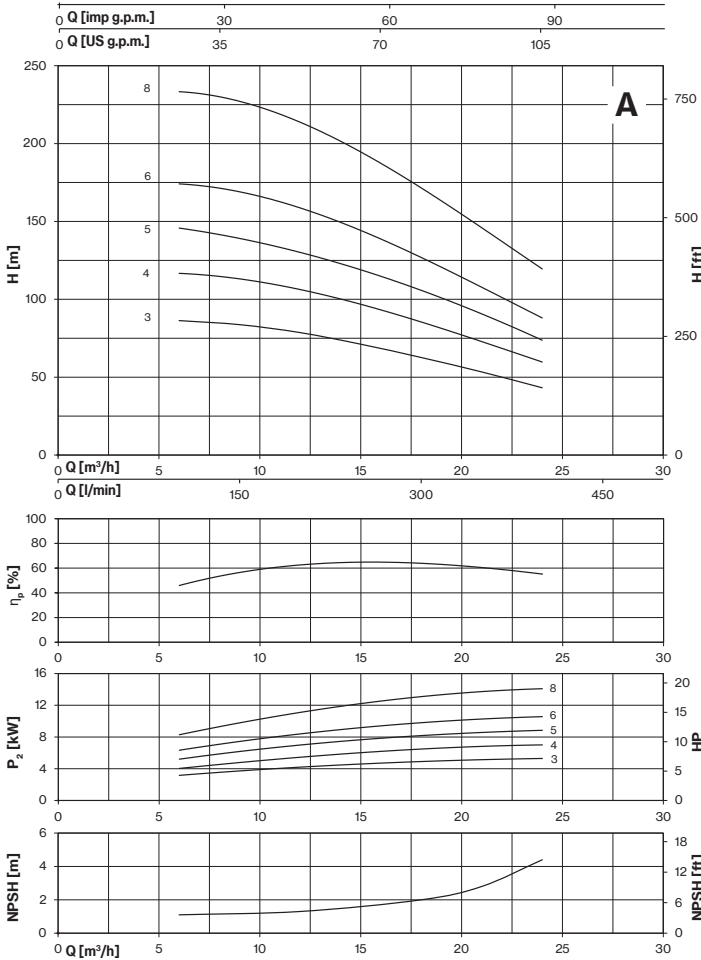
TYPE		P2		P1 kW	I(A) 3x400V	Q (m³/h - l/min - l/s)										
		HP	kW			0	12	15	18	21	24	27	30	33	36	39
							200	250	300	350	400	450	500	550	600	650
						H (m)										
MSVB	-2/7,5	10	7,5	8,2	13,4	74,5	72,7	71,1	68,7	66,1	62,4	58,3	53,8	49,0	43,9	38,6
	-3R/9,2	12,5	9,2	10,0	16,7	101,8	98,9	96,2	91,4	87,4	81,0	74,3	66,5	58,8	50,8	42,4
	-3/11	15	11	11,8	19,6	112,7	109,2	106,9	102,9	99,6	94,1	88,1	81,3	74,5	67,2	59,3
	-4/15	20	15	15,9	26,5	149,7	146,5	143,4	138,2	133,4	125,4	117,1	107,4	97,8	87,7	76,2
	-5/18,5	25	18,5	19,8	33,0	187,7	182,9	179,2	172,3	166,7	157,2	146,7	134,9	122,7	109,9	96,2
	-6/22	30	22	23,6	38,8	225,9	220,4	216,3	207,1	201,1	189,6	176,6	162,5	147,5	131,7	115,1

TYPE		P2		P1 kW	I(A) 3x400V	Q (m³/h - l/min - l/s)								
		HP	kW			0	18	24	30	36	42	48	54	57
							300	400	500	600	700	800	900	950
						H (m)								
MSVC	-2R1/11	15	11	13,0	21,4	78,4	79,5	76,3	72,3	67,6	61,8	55,2	46,9	41,8
	-3R/15	20	15	17,4	28,9	110,4	111,9	107,2	101,5	94,5	85,8	75,3	61,5	53,0
	-3/18,5	25	18,5	20,5	34,0	127,6	128,8	124,7	118,8	111,9	104,0	95,1	85,3	79,2
	-4R1/22	30	22	25,3	41,5	159,5	159,0	153,6	145,7	136,3	125,0	112,2	98,1	88,3
	-5/30	40	30	34,6	59,4	214,7	215,7	208,6	198,9	187,2	173,9	158,5	141,2	130,9
	-6/37	50	37	41,2	72,8	256,5	257,1	249,2	238,2	224,6	209,0	191,3	170,7	158,9

TYPE		P2		P1 kW	I(A) 3x400V	Q (m³/h - l/min - l/s)										
		HP	kW			0	30	36	42	48	54	60	66	72	78	84
							500	600	700	800	900	1000	1100	1200	1300	1400
						H (m)										
MSVD	-2/15	20	15	16,6	27,6	75,9	75,9	73,8	71,0	67,8	64,3	60,4	56,1	51,5	46,4	41,0
	-3R/18,5	25	18,5	20,3	33,7	99,6	99,6	96,0	91,7	87,5	82,7	77,1	70,8	64,0	56,6	48,5
	-3/22	30	22	23,7	39,3	113,1	113,9	110,8	106,7	102,0	96,9	91,4	85,4	78,8	71,2	63,0
	-4/30	40	30	33,0	57,2	152,0	152,5	148,9	144,1	138,7	132,4	125,1	117,0	108,1	98,8	89,0
	-5/37	50	37	40,6	71,9	189,6	191,4	186,4	179,9	173,3	165,7	157,0	147,0	136,0	124,5	112,3



# MSV ~ 2900 r.p.m.



### 4MSV ~ 1450 r.p.m.

TYPE		P2		Q (m³/h - l/min - l/s)										
				0	3	4,5	6	7,5	9	10,5	12	13,5		
		HP	kW		50	75	100	125	150	175	200	225		
				0,83	1,25	1,67	2,08	2,50	2,92	3,33	3,75	H (m)		
4MSVA	-8/2,2	3	2,2	56,0	55,7	54,2	51,3	46,3	40,2	33,4	25,7	16,2		

TYPE		P2		Q (m³/h - l/min - l/s)										
				0	6	7,5	9	10,5	12	13,5	16,5	19,5	22,5	
		HP	kW		100	125	150	175	200	225	275	325	375	
				1,67	2,08	2,50	2,92	3,33	3,75	4,58	5,42	6,25	H (m)	
4MSVB	-4/2,2	3	2,2	35,4	34,8	34,0	32,8	31,2	29,3	27,0	22,0	16,9	11,6	
	-5/2,2	3	2,2	44,3	43,5	42,5	41,0	39,0	36,6	33,8	27,5	21,1	14,6	
	-6/3	4	3	53,2	52,2	51,3	49,9	47,8	44,7	41,5	34,4	27,7	17,2	
	-8/4	5,5	4	70,9	69,6	68,3	66,5	63,7	59,7	55,3	45,9	36,9	23,0	

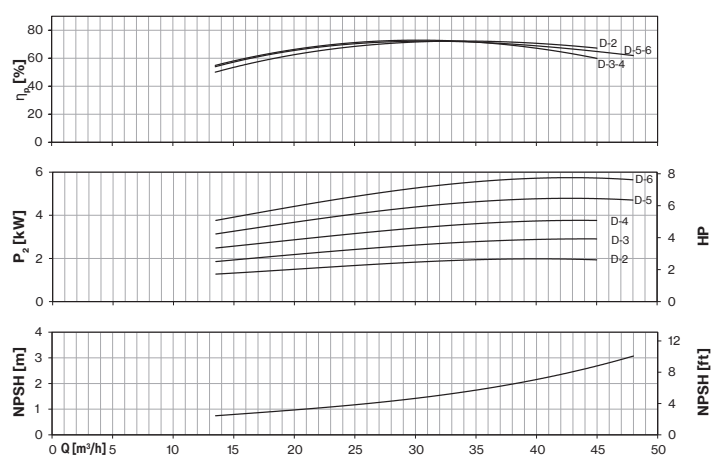
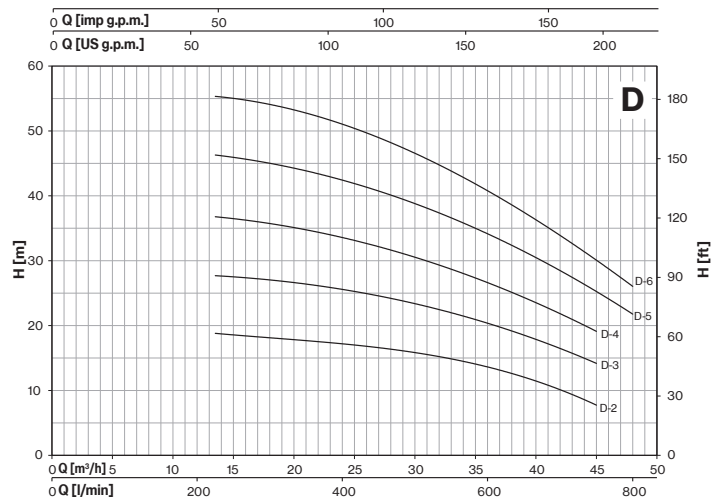
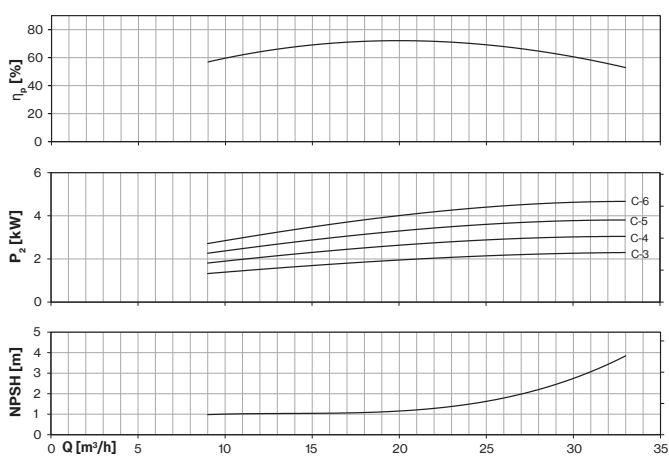
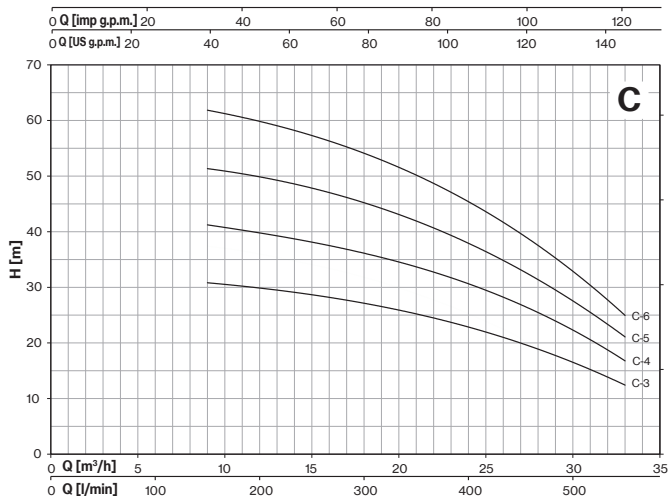
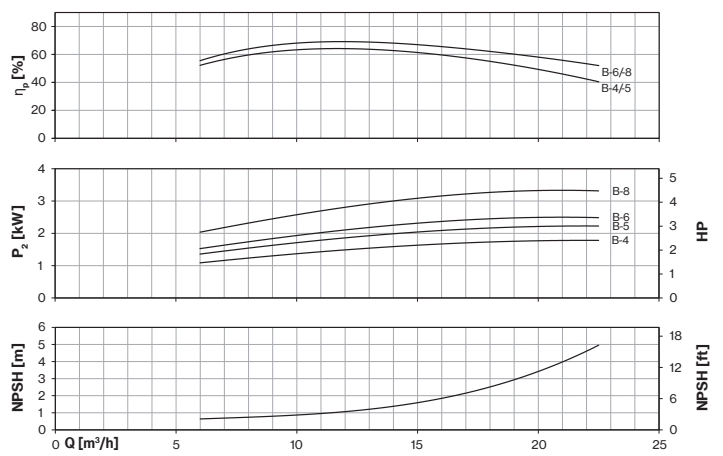
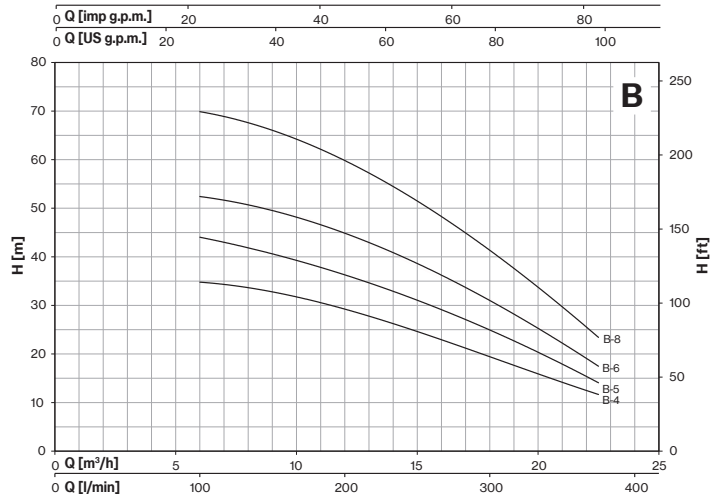
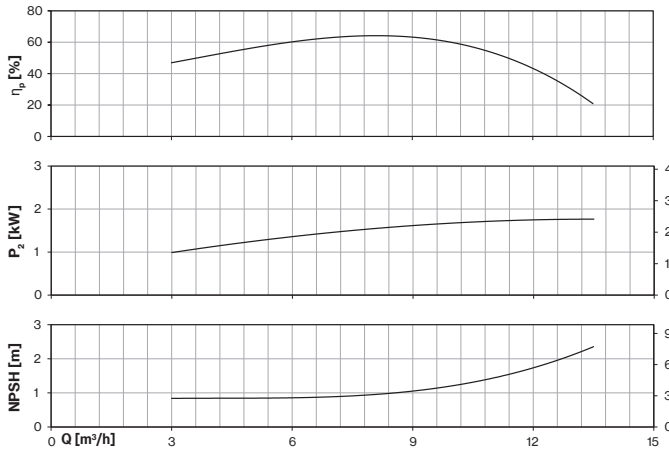
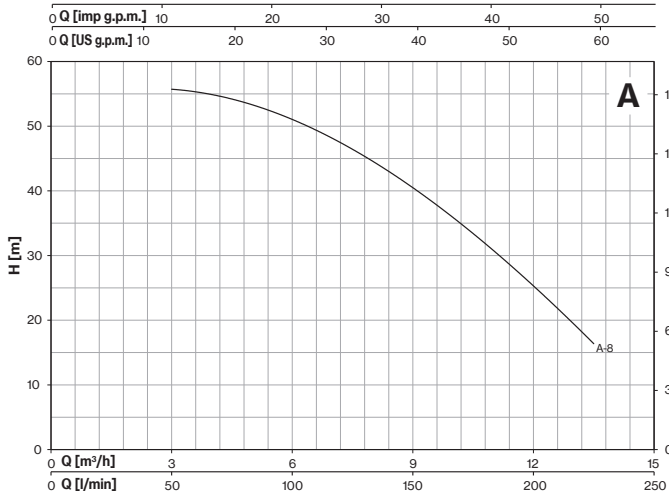
TYPE		P2		Q (m³/h - l/min - l/s)												
				0	9	10,5	12	13,5	16,5	19,5	22,5	24	27	30	33	
		HP	kW		150	175	200	225	275	325	375	400	450	500	550	
				2,50	2,92	3,33	3,75	4,58	5,42	6,25	6,67	7,50	8,33	9,17	H (m)	
4MSVC	-3/2,2	3	2,2	30,2	30,7	30,5	30,0	29,4	27,9	26,2	24,0	22,8	20,0	16,7	12,3	
	-4/3	4	3	40,1	41,0	40,6	39,9	39,1	37,3	35,0	32,0	30,3	26,9	23,1	16,4	
	-5/4	5,5	4	50,1	51,3	50,8	49,9	48,8	46,6	43,8	40,0	37,8	33,0	27,8	21,0	
	-6/5,5	7,5	5,5	60,3	61,7	61,0	59,9	58,7	55,9	52,3	47,7	45,1	39,6	33,6	24,6	

TYPE		P2		Q (m³/h - l/min - l/s)												
				0	13,5	16,5	19,5	22,5	24	27	30	33	39	45	48	
		HP	kW		225	275	325	375	400	450	500	550	650	750	800	
				3,75	4,58	5,42	6,25	6,67	7,50	8,33	9,17	10,83	12,50	13,33	H (m)	
4MSVD	-2/2,2	3	2,2	18,3	18,7	18,4	18,0	17,5	17,2	16,5	15,7	14,7	12,3	7,6		
	-3/3	4	3	27,1	27,7	27,3	26,7	26,0	25,6	24,6	23,5	22,0	18,4	14,2		
	-4/4	5,5	4	36,2	36,8	36,1	35,2	34,1	33,6	32,3	30,6	28,7	24,2	19,2		
	-5/5,5	7,5	5,5	45,2	46,3	45,4	44,4	43,2	42,6	41,0	39,0	36,6	30,9	25,3	22,0	
	-6/7,5	10	7,5	54,2	55,5	54,5	53,2	51,9	51,1	49,1	46,8	43,9	37,0	30,3	26,0	





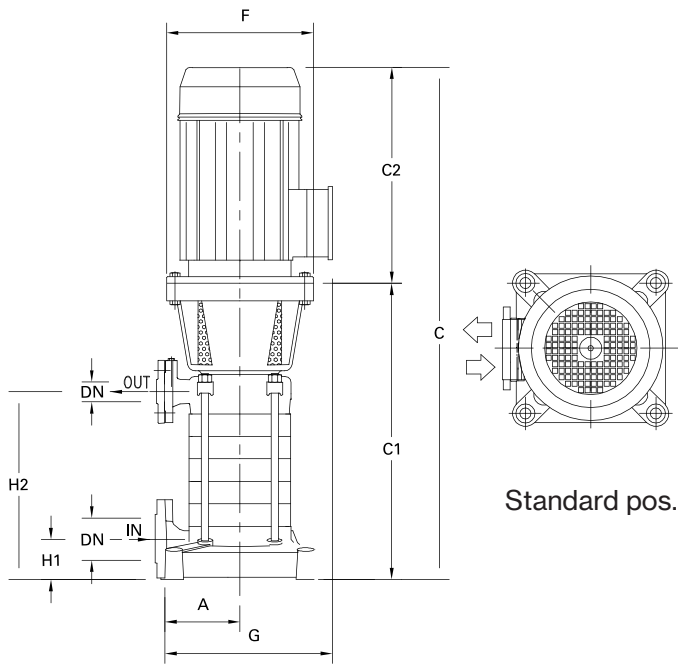
# 4MSV ~ 1450 r.p.m.



Tolerance: ISO 9906:2012 - Grade 3B



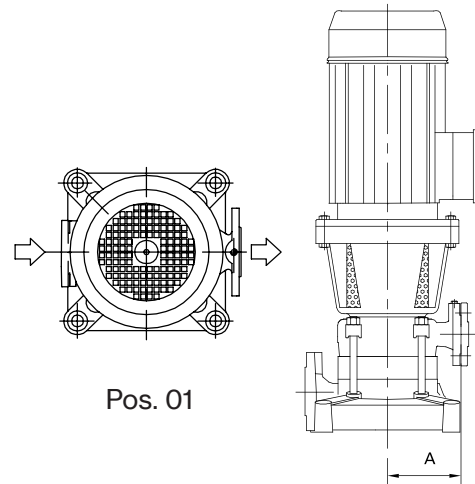
# 4MSV ~ 1450 r.p.m.



Standard pos.

## STANDARD

Not available for pump type: MSVB 2/7.5, MSVC-2R1/11, MSVD-2/15, 4MSVD-2/2.2

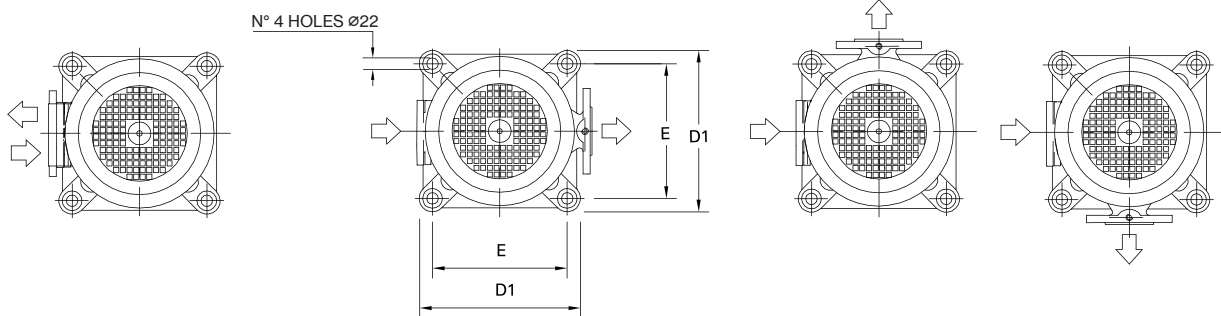


Pos. 01

## STANDARD FOR:

MSVB-2/7.5  
MSVC-2R1/11  
MSVD-2/15  
4MSVD-2/2.2

## Direction of nozzles



Standard pos.

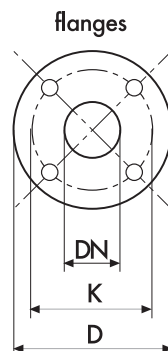
Not available for pump type: MSVB 2/7.5, MSVC-2R1/11, MSVD-2/15, 4MSVD-2/2.2

Pos. 01



Pos. 02

Pos. 03

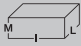

DIMENSIONS (mm)				
DN	D	K	holes	
			n°	ø
40	150	110	4	18
50	165	125	4	18
65	185	145	4	18
80	200	160	8	18



## MSV ~ 2900 r.p.m.


TYPE	DN IN	DN OUT	N. STAGE	DIMENSIONS (mm)													
				A	C	C1	C2	D1	E	F	G	H1	H2	I	L		M
MSVA -3/5,5	(UNI PN 16) 50	(UNI PN 40) 40	3	175	921,5	544,5	377	306	256	300	355	82	255,5	1100	400	500	139,5
MSVA -4/7,5			4		972,5	595,5	377			300	355		306,5	1100	400	500	156
MSVA -5/9,2			5		1062,5	646,5	416			300	355		357,5	1100	400	500	173
MSVA -6/11			6		1113,5	697,5	416			300	355		408,5	1100	400	500	192
MSVA -8/15			8		1297,5	799,5	498			350	410		510,5	1400	500	500	259
MSVB -2/7,5	(UNI PN 16) 50	(UNI PN 40) 40	2	175	870,5	493,5	377	306	256	300	355	82	204,5	1100	400	500	136,5
MSVB -3R/9,2			3		931	515	416			300	335		255,5	1100	400	500	153,5
MSVB -3/11			3		931	515	416			300	355		255,5	1100	400	500	157,5
MSVB -4/15			4		1013	515	498			350	410		306,5	1400	500	500	220,5
MSVB -5/18,5			5		1056	515	541			350	410		357,5	1400	500	500	245
MSVB -6/22			6		1056	515	541			350	410		408,5	1400	500	500	265
MSVC -2R1/11	(UNI PN 16) 65	(UNI PN 40) 50	2	200	944	528	416	332	282	300	380	95	233	1100	400	500	167
MSVC -3R/15			3		1086	588	498			350	435		293	1100	400	500	234
MSVC -3/18,5			3		1129	588	541			350	435		293	1400	500	500	249
MSVC -4R1/22			4		1189	648	541			350	435		353	1400	500	500	273
MSVC -5/30			5		1276	708	568			350	450		413	1400	500	500	321,5
MSVC -6/37			6		1376	768	608			350	450		473	1400	500	500	360,5
MSVD -2/15	(UNI PN 16) 65	(UNI PN 40) 50	2	200	1026	528	498	332	282	350	435	95	233	1400	400	500	219
MSVD -3R/18,5			3		1129	588	541			350	435		293	1400	500	500	247
MSVD -3/22			3		1129	588	541			350	435		293	1400	500	500	257,5
MSVD -4/30			4		1216	648	568			350	450		353	1400	500	500	305
MSVD -5/37			5		1316	708	608			350	450		413	1400	500	500	342,5


## 4MSV ~ 1450 r.p.m.

TYPE	DN IN	DN OUT	N. STAGE	DIMENSIONS (mm)													
				A	C	C1	C2	D1	E	F	G	H1	H2	I	L		M
4MSVA -8/2,2	(UNI PN 16) 50	(UNI PN 40) 40	8	175	1078	762,5	315	306	256	250	345	82	510,5	1100	400	500	183
4MSVB -4/2,2	(UNI PN 16) 50	(UNI PN 40) 40	4	175	874	558,5	315	306	256	250	345	82	306,5	1100	400	500	136
4MSVB -5/2,2			5		925	609,5	315			250	345		357,5	1400	500	500	140
4MSVB -6/3			6		976	660,5	315			250	345		408,5	1400	500	500	171
4MSVB -8/4			8		1103	762,5	340			250	368		511	1400	500	500	200
4MSVC -3/2,2	(UNI PN 16) 65	(UNI PN 40) 50	3	200	866	551	315	332	282	250	370	95	293	1100	400	500	192
4MSVC -4/3			4		926	611	315			250	370		353	1100	400	500	194
4MSVC -5/4			5		1011	671	340			250	393		413	1100	400	500	202
4MSVC -6/5,5			6		1116	731	385			300	423		473	1400	500	500	206
4MSVD -2/2,2	(UNI PN 16) 65	(UNI PN 40) 50	2	200	806	491	315	332	282	250	370	95	233	1100	400	500	135
4MSVD -3/3			3		866	551	315			250	370		293	1100	400	500	167
4MSVD -4/4			4		951	611	340			250	393		353	1100	400	500	189
4MSVD -5/5,5			5		1056	671	385			300	423		413	1100	400	500	194
4MSVD -6/7,5			6		1156	731	425			300	423		473	1400	500	500	218



# MSV-4MSV Serie-Mechanical seal and bearings

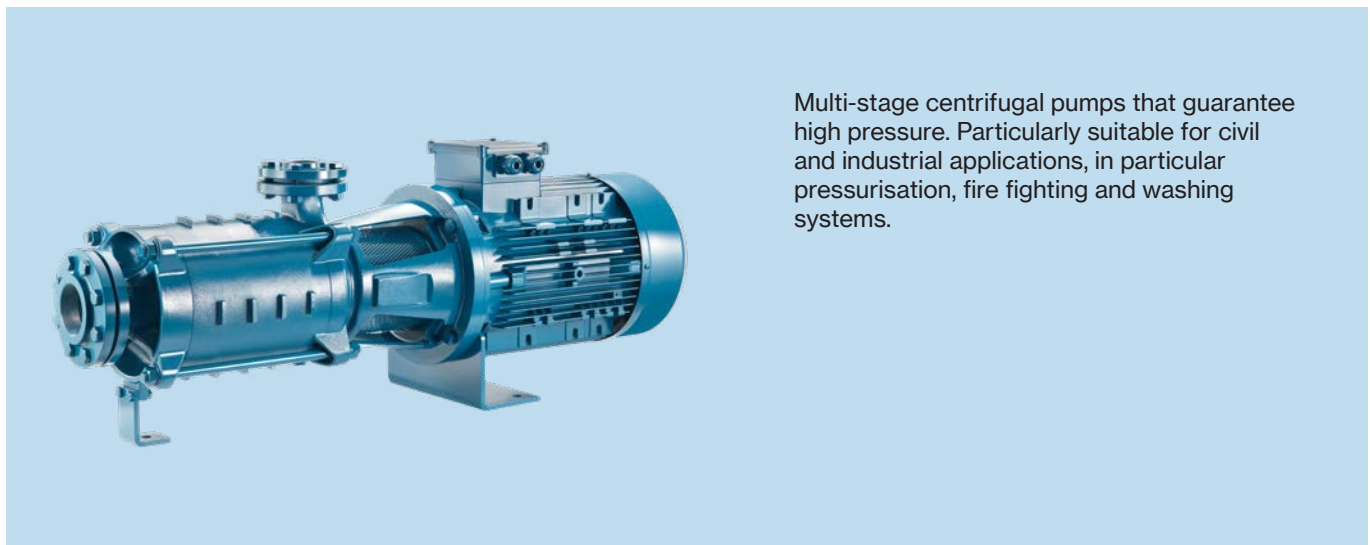
MECHANICAL SEAL	PUMP MODEL	SHAFT Ø		STANDARD MATERIAL	OPTIONAL
	MSVA-3/5,5-132S   MSVB-2/7,5-132S   4MSVA-8/2,2   4MSVB-4/2,2   4MSVB-5/2,2   4MSVB-6/3   4MSVB-8/4	25mm	<b>Rotating face</b> <b>Stationary face</b> <b>Elastomer</b>	Ceramic Graphite NBR	Widia Widia NBR
	MSVC-2R1/11-132M   MSVD-2/15-160M   4MSVC-3/2,2   4MSVC-4/3   4MSVC-5/4   4MSVC-6/5,5-132S   4MSVD-2/2,2   4MSVD- 3/3   4MSVD-4/4   4MSVD-5/5,5-132S   4MSVD-6/7,5-132St	35mm	<b>Rotating face</b> <b>Stationary face</b> <b>Elastomer</b>	Ceramic Graphite NBR	Widia Widia NBR
	MSVA-4/7,5-132S   MSVA-5/9,2-132M   MSVA-6/11-132M   MSVA-8/15-160M   MSVB- 3R/9,2-132M   MSVB-3/11-132M   MSVB-4/15- 160M   MSVB-5/18,5-160L   MSVB-6/22-160L	25mm / Balanced seal	<b>Rotating face</b> <b>Stationary face</b> <b>Elastomer</b>	Widia Graphite NBR	Widia Widia NBR
	MSVC-3R/15-160M   MSVC-3/18,5-160L   MSVC-4R1/22-160L   MSVC-5/30-180M   MSVC-6/37-180L   MSVD-3R/18,5-160L   MSVD-3/22-160L   MSVD-4/30-180M   MSVD-5/37-180L	35mm / Balanced seal	<b>Rotating face</b> <b>Stationary face</b> <b>Elastomer</b>	Widia Graphite NBR	Widia Widia NBR

BEARINGS	PUMP MODEL	TYPE	
	4MSVA-8/2,2   4MSVB-4/2,2   4MSVB-5/2,2   4MSVC-3/2,2   4MSVD-2/2,2	6205-ZZ C3	6205-ZZ C3
	4MSVB-6/3   4MSVB-8/4   4MSVC-4/3   4MSVC-5/4   4MSVD-3/3   4MSVD-4/4	6206-ZZ C3	6206-ZZ C3
	MSVA-3/5,5-132S   MSVA-4/7,5-132S   MSVA-5/9,2-132M   MSVA-6/11-132M   MSVB-2/7,5-132S   MSVB-3R/9,2-132M   MSVB-3/11-132M   MSVC-2R1/11- 132M	6206-ZZ C3	6308-ZZ C3
	4MSVC-6/5,5-132S   4MSVD-5/5,5-132S   4MSVD-6/7,5-132S	6208-ZZ C3	6208-ZZ C3
	MSVA-8/15-160M   MSVB-4/15-160M   MSVB-5/18,5-160L   MSVB-6/22- 160L   MSVC-3R/15-160M   MSVC-3/18,5-160L   MSVC-4R1/22-160L   MSVD-2/15-160M   MSVD-3R/18,5-160L   MSVD-3/22-160L	6308-ZZ C3	6309-ZZ C3
	MSVC-5/30-180M   MSVC-6/37-180L   MSVD-4/30-180M   MSVD-5/37-180L	6309-ZZ C3	3310-ZZ C3



# MSH - 4MSH

Industrial Line

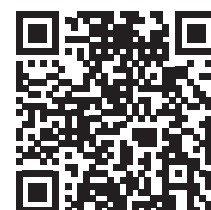
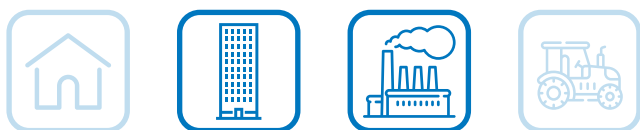
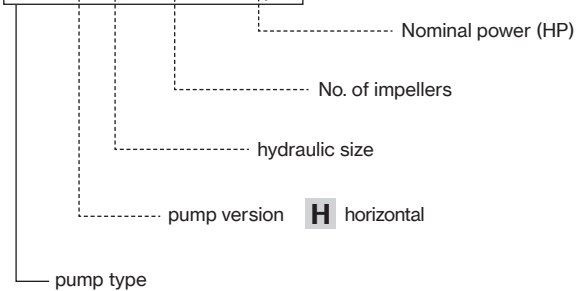


Multi-stage centrifugal pumps that guarantee high pressure. Particularly suitable for civil and industrial applications, in particular pressurisation, fire fighting and washing systems.

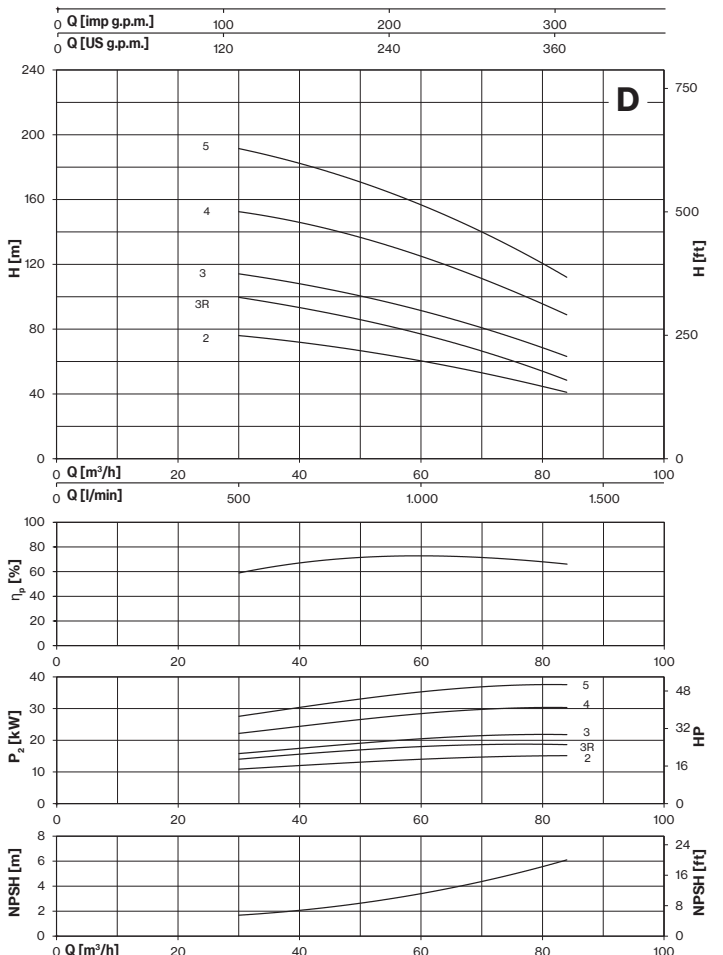
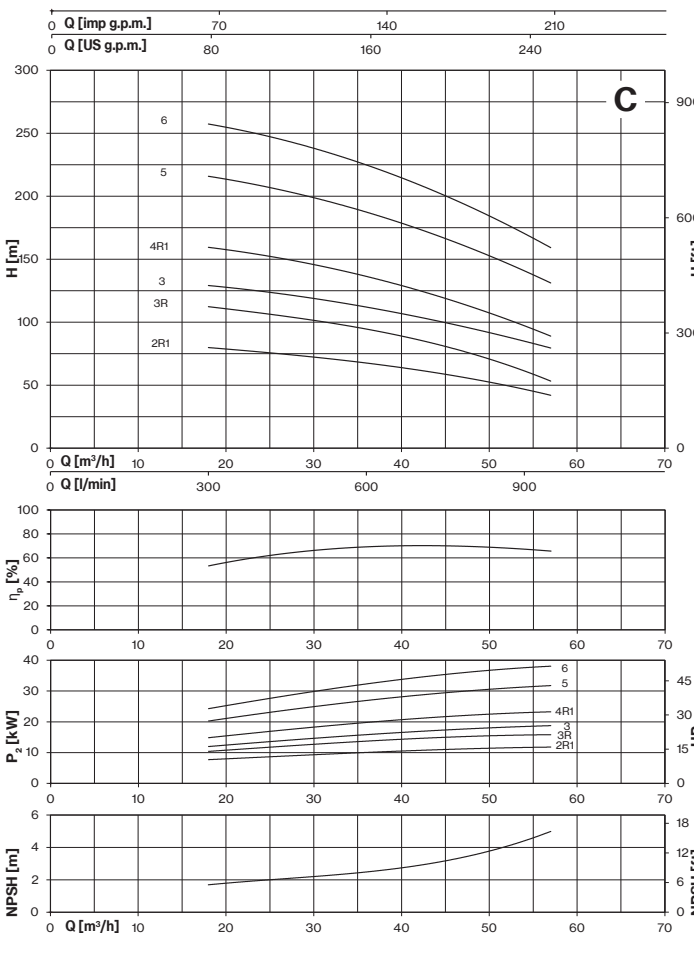
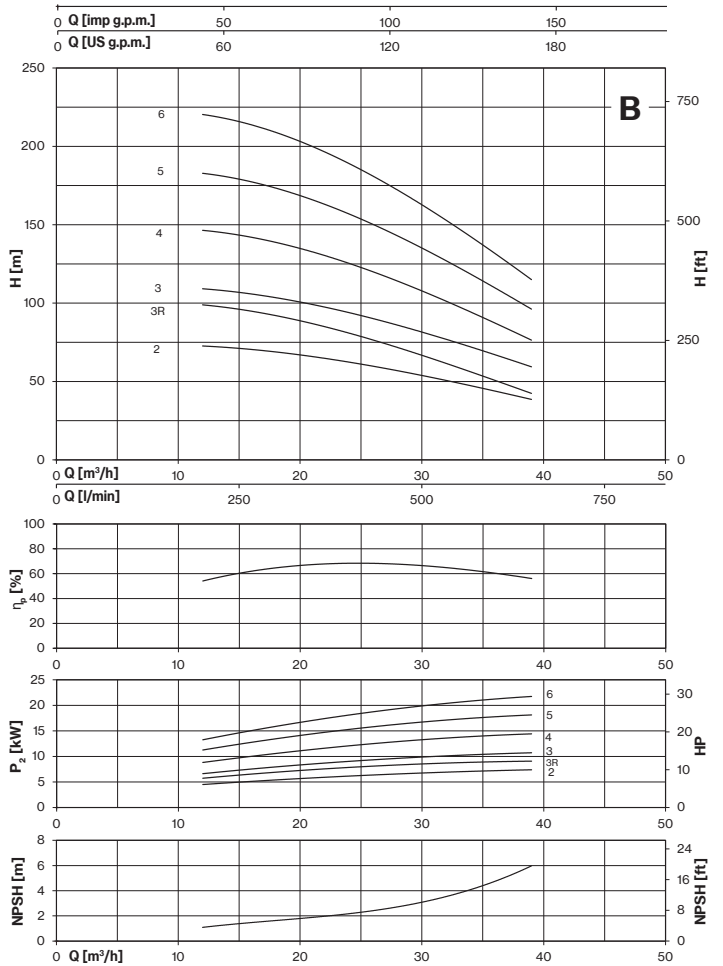
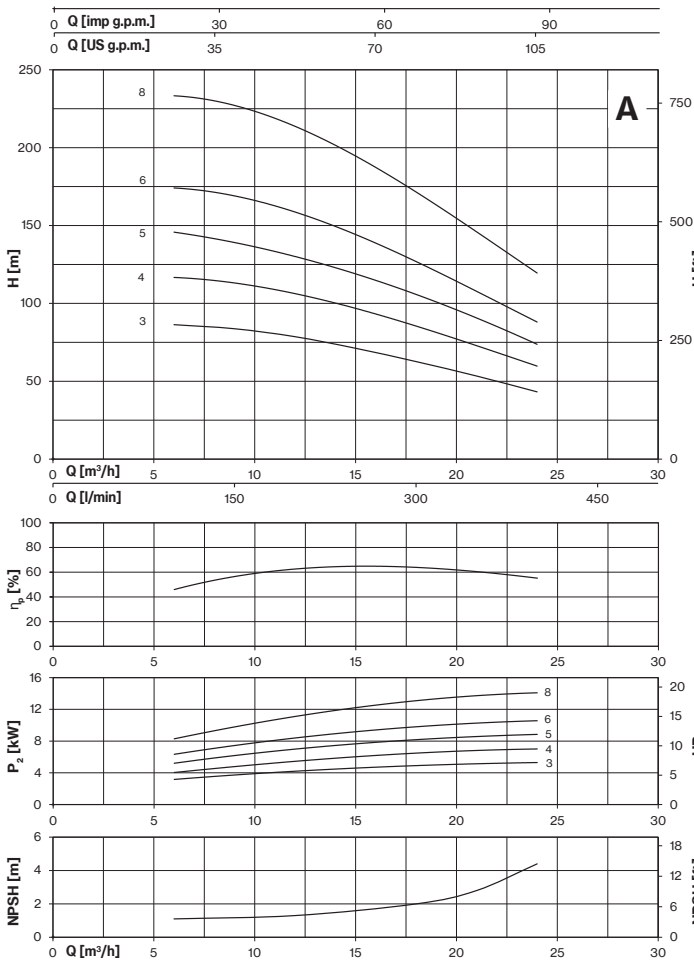
Construction features	
<b>Pump body</b>	cast iron
<b>Motor bracket</b>	cast iron
<b>Impeller</b>	brass
<b>Mechanical seal</b>	ceramic-graphite-NBR
<b>Shaft</b>	stainless steel AISI 304
<b>Liquid temperature</b>	-10 ÷ +90 °C
<b>Operating pressure</b>	max 30 bar

Motor	
<b>2 and 4 poles induction motor</b>	3~ 230/400V - 50Hz P ≤ 4kW 3~ 400/690V - 50Hz P > 4kW
<b>Insulation class</b>	F
<b>Protection degree</b>	IPX5

## MSH C - 3 / 18,5







## 4MSH ~ 1450 r.p.m.

TYPE		P2		Q (m³/h - l/min - l/s)										
				0	3	4,5	6	7,5	9	10,5	12	13,5		
		HP	kW		50	75	100	125	150	175	200	225		
				0,83	1,25	1,67	2,08	2,50	2,92	3,33	3,75	H (m)		
4MSHA	-8/2,2	3	2,2	56,0	55,7	54,2	51,3	46,3	40,2	33,4	25,7	16,2		

TYPE		P2		Q (m³/h - l/min - l/s)											
				0	6	7,5	9	10,5	12	13,5	16,5	19,5	22,5		
		HP	kW		100	125	150	175	200	225	275	325	375	H (m)	
				1,67	2,08	2,50	2,92	3,33	3,75	4,58	5,42	6,25			
4MSHB	-4/2,2	3	2,2	35,4	34,8	34,0	32,8	31,2	29,3	27,0	22,0	16,9	11,6		
	-5/2,2	3	2,2	44,3	43,5	42,5	41,0	39,0	36,6	33,8	27,5	21,1	14,6		
	-6/3	4	3	53,2	52,2	51,3	49,9	47,8	44,7	41,5	34,4	27,7	17,2		
	-8/4	5,5	4	70,9	69,6	68,3	66,5	63,7	59,7	55,3	45,9	36,9	23,0		

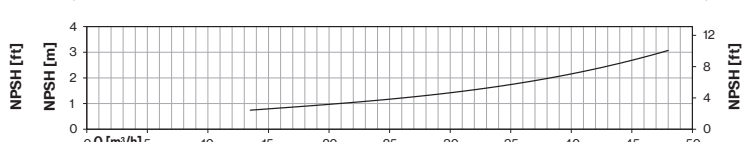
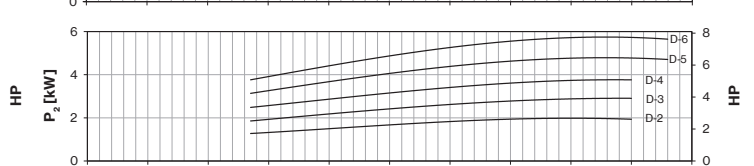
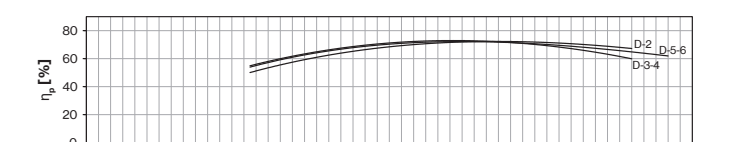
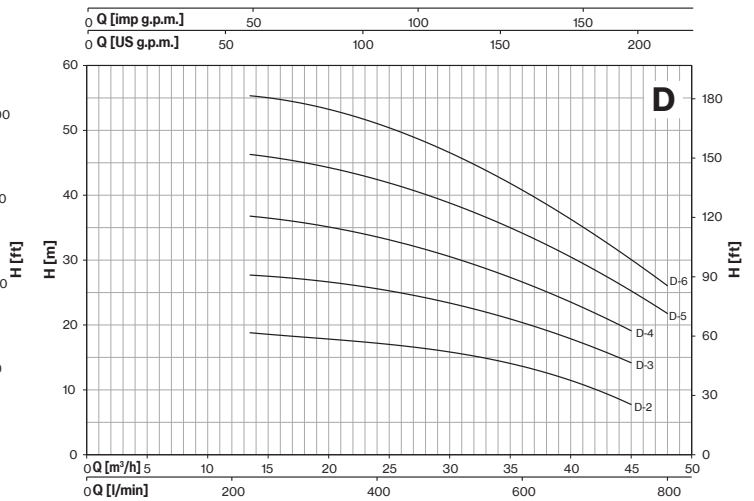
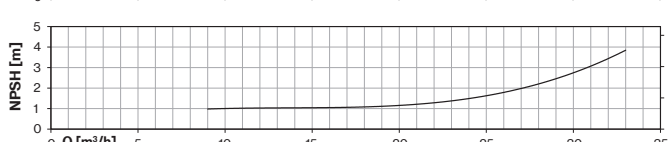
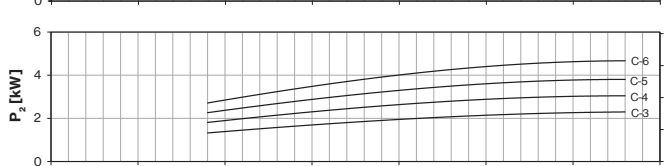
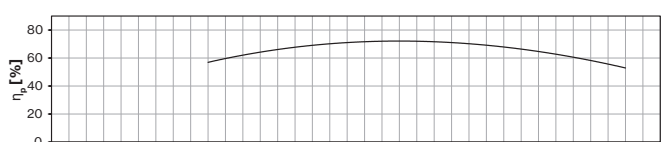
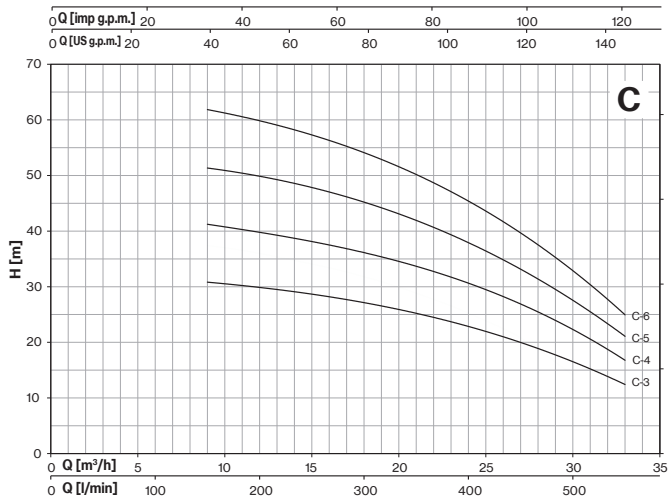
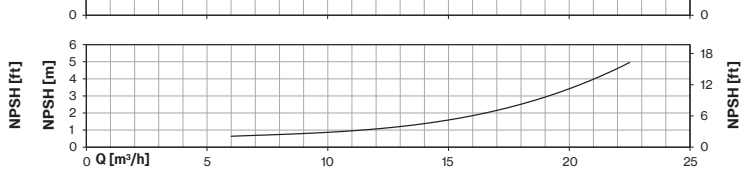
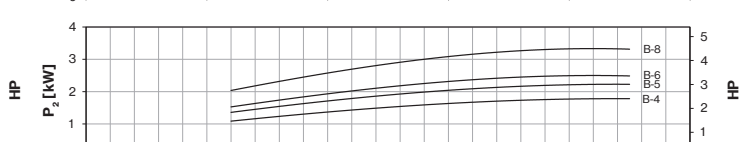
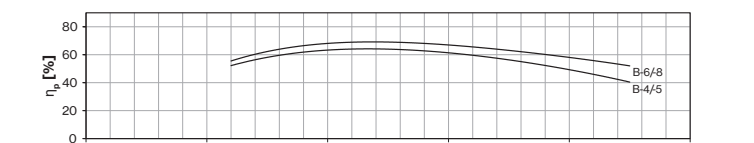
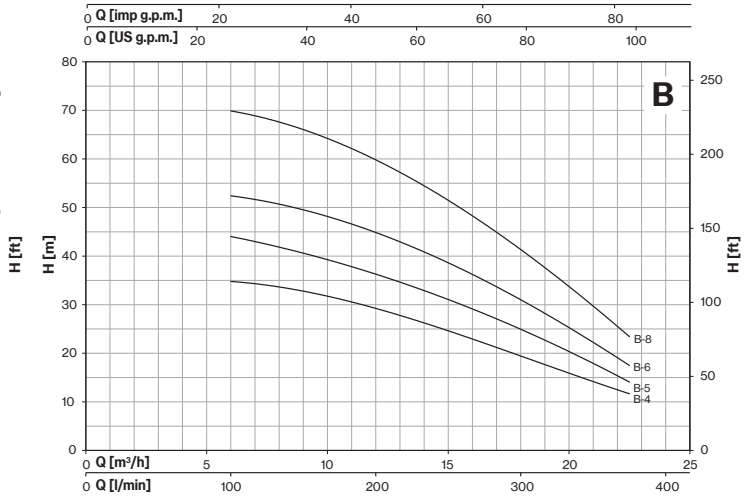
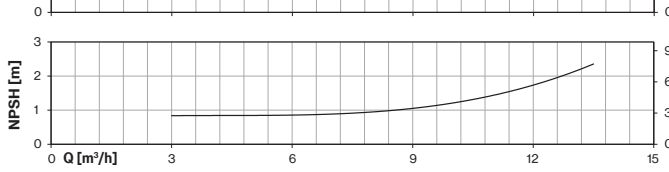
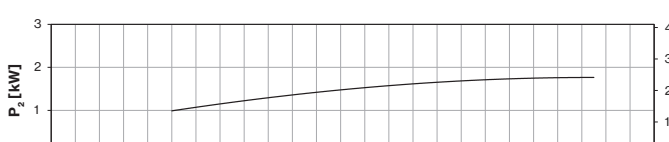
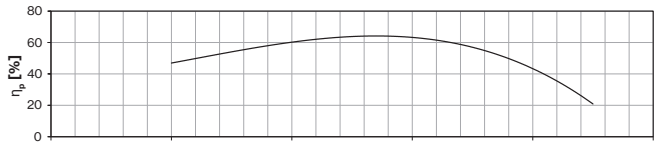
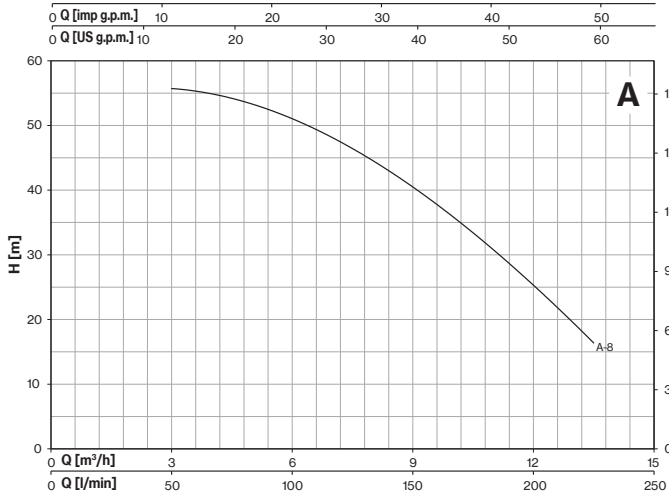
TYPE		P2		Q (m³/h - l/min - l/s)													
				0	9	10,5	12	13,5	16,5	19,5	22,5	24	27	30	33		
		HP	kW		150	175	200	225	275	325	375	400	450	500	550	H (m)	
				2,50	2,92	3,33	3,75	4,58	5,42	6,25	6,67	7,50	8,33	9,17			
4MSHC	-3/2,2	3	2,2	30,2	30,7	30,5	30,0	29,4	27,9	26,2	24,0	22,8	20,0	16,7	12,3		
	-4/3	4	3	40,1	41,0	40,6	39,9	39,1	37,3	35,0	32,0	30,3	26,9	23,1	16,4		
	-5/4	5,5	4	50,1	51,3	50,8	49,9	48,8	46,6	43,8	40,0	37,8	33,0	27,8	21,0		
	-6/5,5	7,5	5,5	60,3	61,7	61,0	59,9	58,7	55,9	52,3	47,7	45,1	39,6	33,6	24,6		

TYPE		P2		Q (m³/h - l/min - l/s)													
				0	13,5	16,5	19,5	22,5	24	27	30	33	39	45	48		
		HP	kW		225	275	325	375	400	450	500	550	650	750	800	H (m)	
				3,75	4,58	5,42	6,25	6,67	7,50	8,33	9,17	10,83	12,50	13,33			
4MSHD	-2/2,2	3	2,2	18,3	18,7	18,4	18,0	17,5	17,2	16,5	15,7	14,7	12,3	7,6			
	-3/3	4	3	27,1	27,7	27,3	26,7	26,0	25,6	24,6	23,5	22,0	18,4	14,2			
	-4/4	5,5	4	36,2	36,8	36,1	35,2	34,1	33,6	32,3	30,6	28,7	24,2	19,2			
	-5/5,5	7,5	5,5	45,2	46,3	45,4	44,4	43,2	42,6	41,0	39,0	36,6	30,9	25,3	22,0		
	-6/7,5	10	7,5	54,2	55,5	54,5	53,2	51,9	51,1	49,1	46,8	43,9	37,0	30,3	26,0		

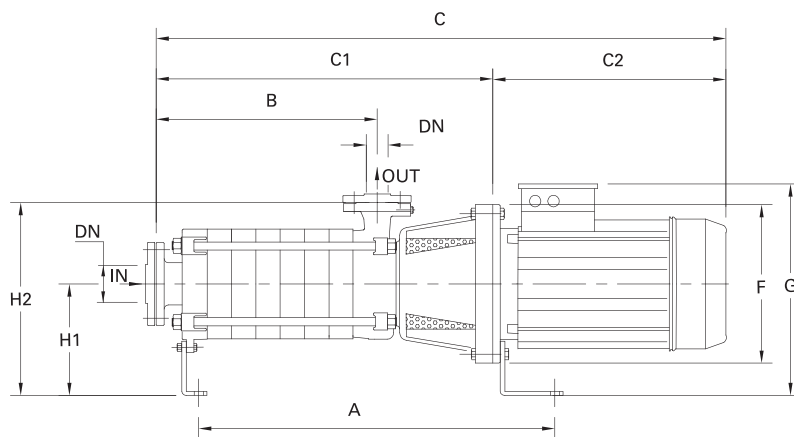




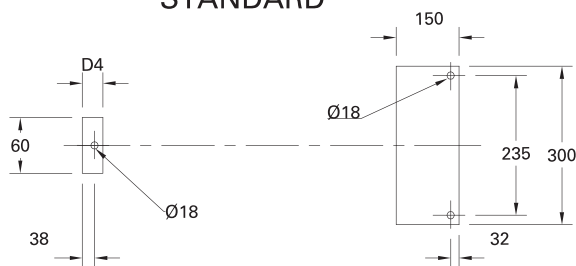
# 4MSH ~ 1450 r.p.m.



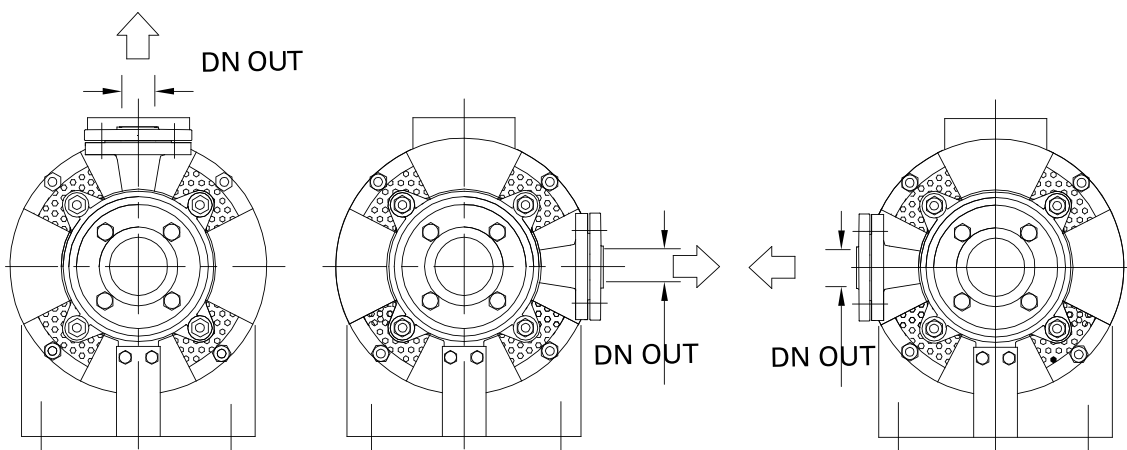
# 4MSH ~ 1450 r.p.m.



STANDARD



Direction of nozzles

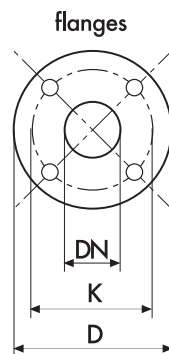


STANDARD

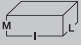
Pos. 01

Pos. 02


DIMENSIONS (mm)				
DN	D	K	holes	
			n°	∅
40	150	110	4	18
50	165	125	4	18
65	185	145	4	18
80	200	160	8	18



## MSH ~ 2900 r.p.m.


TYPE	DN IN	DN OUT	N. STAGE	DIMENSIONS (mm)												Kg	
				A	B	C	C1	C2	F	G	H1	H2	D4	I	L		M
<b>MSHA -3/5,5</b>	(UNI PN 16) 65	(UNI PN 40) 40	3	604	256,5	922,5	545,5	377	300	425	245	420	70	1100	400	500	140,5
<b>MSHA -4/7,5</b>			4	655	307,5	973,5	596,5	377	300	425				1100	400	500	157
<b>MSHA -5/9,2</b>			5	706	358,5	1063,5	647,5	416	300	425				1100	400	500	173,5
<b>MSHA -6/11</b>			6	757	409,5	1114,5	698,5	416	300	425				1100	400	500	192,5
<b>MSHA -8/15</b>			8	859	511,5	1298,5	800,5	498	350	480				1400	500	500	259,5
<b>MSHB -2/7,5</b>	(UNI PN 16) 65	(UNI PN 40) 40	2	553	205,5	531,5	494,5	37	300	425	245	420	70	1100	400	500	137
<b>MSHB -3R/9,2</b>			3	604	256,5	961,5	545,5	416	300	425				1100	400	500	154
<b>MSHB -3/11</b>			3	604	256,5	961,5	545,5	416	300	425				1100	400	500	158
<b>MSHB -4/15</b>			4	655	307,5	1094,5	596,5	498	350	480				1400	500	500	220,5
<b>MSHB -5/18,5</b>			5	706	358,5	1188,5	647,5	541	350	480				1400	500	500	245
<b>MSHB -6/22</b>			6	757	409,5	1239,5	698,5	541	350	480				1400	500	500	265
<b>MSHC -2R1/11</b>	(UNI PN 16) 80	(UNI PN 40) 50	2	596	243	954	538	416	300	425	245	445	60	1100	400	500	165
<b>MSHC -3R/15</b>			3	656	303	1096	598	498	350	480				1100	400	500	231,5
<b>MSHC -3/18,5</b>			3	656	303	1139	598	541	350	480				1400	500	500	246,5
<b>MSHC -4R1/22</b>			4	716	363	1199	658	541	350	480				1400	500	500	270,5
<b>MSHC -5/30</b>			5	776	423	1286	718	568	350	495				1400	500	500	319
<b>MSHC -6/37</b>			6	836	483	1386	778	608	350	495				1400	500	500	358
<b>MSHD -2/15</b>	(UNI PN 10) 80	(UNI PN 40) 50	2	596	243	1036	538	498	350	480	245	445	60	1400	400	500	217
<b>MSHD -3R/18,5</b>			3	656	303	1139	598	541	350	480				1400	500	500	245
<b>MSHD -3/22</b>			3	656	303	1139	598	541	350	480				1400	500	500	255,5
<b>MSHD -4/30</b>			4	716	363	1226	658	568	350	495				1400	500	500	303
<b>MSHD -5/37</b>			5	776	423	1326	718	608	350	495				1400	500	500	340,5


## 4MSH ~ 1450 r.p.m.

TYPE	DN IN	DN OUT	N. STAGE	DIMENSIONS (mm)												Kg	
				A	B	C	C1	C2	F	G	H1	H2	D4	I	L		M
<b>4MSHA -8/2,2</b>	(UNI PN 16) 65	(UNI PN 40) 40	8	822	511,5	1079	763,5	315	250	415	245	420	70	1100	400	500	183
<b>4MSHB -4/2,2</b>	(UNI PN 16) 65	(UNI PN 40) 40	4	618	511,5	875	559,5	315	250	415	245	420	70	1100	400	500	136
<b>4MSHB -5/2,2</b>			5	670	307,5	926	610,5	315	250	415				1400	500	500	140
<b>4MSHB -6/3</b>			6	720	358,5	977	661,5	315	250	415				1400	500	500	171
<b>4MSHB -8/4</b>			8	720	409,5	1104	763,5	340	250	438				1400	500	500	200
<b>4MSHC -3/2,2</b>	(UNI PN 16) 80	(UNI PN 40) 50	3	620	303	876	561	315	250	415	245	445	60	1100	400	500	192
<b>4MSHC -4/3</b>			4	680	363	936	621	315	250	415				1100	400	500	194
<b>4MSHC -5/4</b>			5	740	423	1021	681	340	250	438				1100	400	500	202
<b>4MSHC -6/5,5</b>			6	800	483	1126	741	385	300	468				1400	500	500	206
<b>4MSHD -2/2,2</b>	(UNI PN 10) 80	(UNI PN 40) 50	2	560	243	816	501	315	250	415	245	445	60	1100	400	500	135
<b>4MSHD -3/3</b>			3	620	303	876	561	315	250	415				1100	400	500	167
<b>4MSHD -4/4</b>			4	680	363	961	621	340	250	438				1100	400	500	189
<b>4MSHD -5/5,5</b>			5	740	423	1066	681	385	300	468				1100	400	500	194
<b>4MSHD -6/7,5</b>	6	887	483	1166	741	425	300	468	1400	500	500	218					



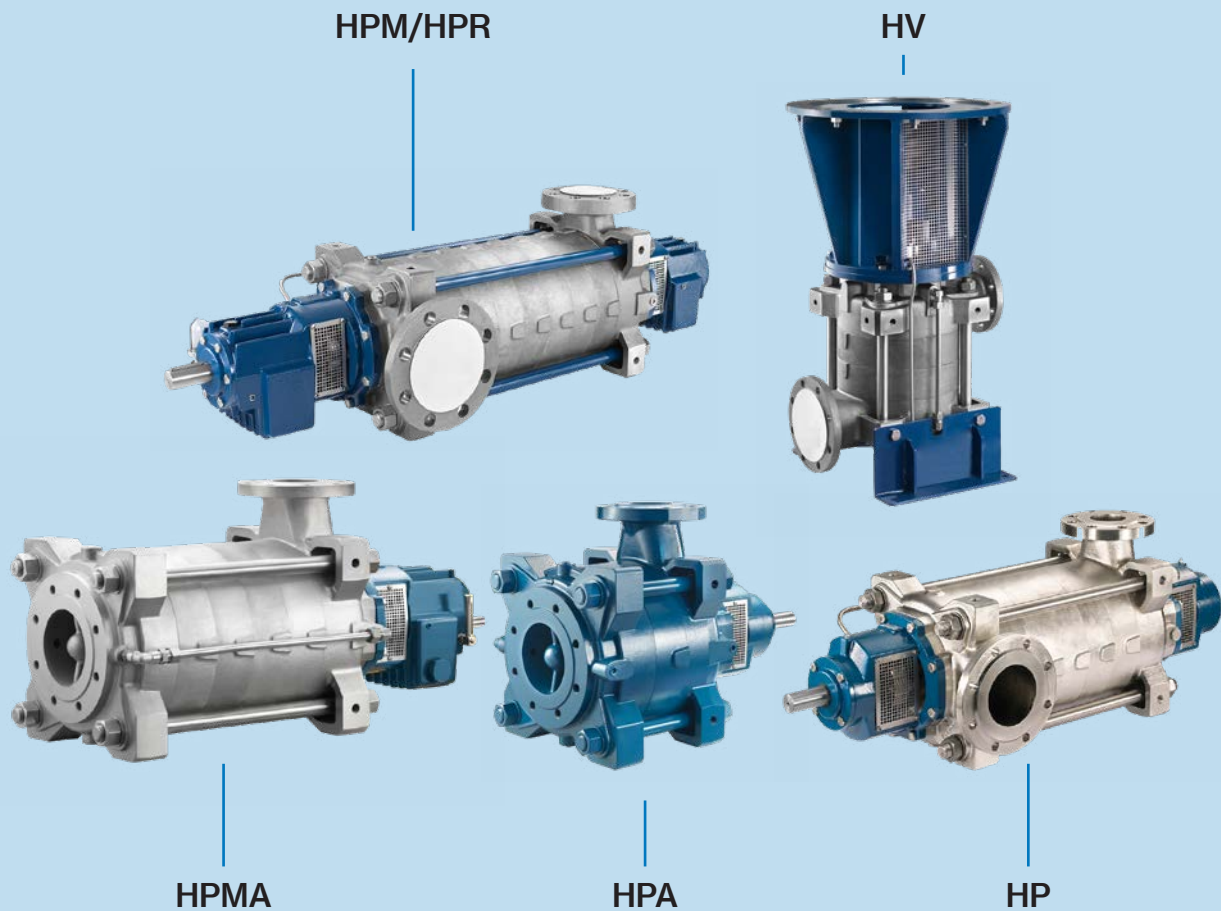
# MSH-4MSH Serie-Mechanical seal and bearings

MECHANICAL SEAL	PUMP MODEL	SHAFT Ø		STANDARD MATERIAL	OPTIONAL
	MSHA-3/5,5-132S   MS HB-2/7,5-132S   4MSHA-8/2,2   4MSHB-4/2,2   4MSHB-5/2,2   4MSHB-6/3   4MSHB-8/4	25mm	<b>Rotating face</b> <b>Stationary face</b> <b>Elastomer</b>	Ceramic Graphite NBR	Widia Widia NBR
	MSHC-2R1/11-132M   MS HD-2/15-160M   4MSHC-3/2,2   4MSHC-4/3   4MSHC-5/4   4MSHC-6/5,5-132S   4MSHD-2/2,2   4MSHD- 3/3   4MSHD-4/4   4MSHD-5/5,5-132S   4MSHD-6/7,5-132St	35mm	<b>Rotating face</b> <b>Stationary face</b> <b>Elastomer</b>	Ceramic Graphite NBR	Widia Widia NBR
	MSHA-4/7,5-132S   MSHA-5/9,2-132M   MSHA-6/11-132M   MSHA-8/15-160M   MSHB-3R/9,2-132M   MS HB-3/11-132M   MSHB-4/15-160M   MS HB-5/18,5-160L   MSHB-6/22-160L	25mm / Balanced seal	<b>Rotating face</b> <b>Stationary face</b> <b>Elastomer</b>	Widia Graphite NBR	Widia Widia NBR
	MSHC-3R/15-160M   MS HC-3/18,5-160L   MS HC-4R1/22-160L   MS HC-5/30-180M   MS HC-6/37-180L   MS HD-3R/18,5-160L   MS HD-3/22-160L   MS HD-4/30-180M   MSHD-5/37-180L	35mm / Balanced seal	<b>Rotating face</b> <b>Stationary face</b> <b>Elastomer</b>	Widia Graphite NBR	Widia Widia NBR

BEARINGS	PUMP MODEL	TYPE	
	4MSHA-8/2,2   4MSHB-4/2,2   4MSHB-5/2,2   4MSHC-3/2,2   4MSHD- 2/2,2	6205-ZZ C3	6205-ZZ C3
	4MSHB-6/3   4MSHB-8/4   4MSHC-4/3   4MSHC-5/4   4MSHD-3/3   4MSHD-4/4	6206-ZZ C3	6206-ZZ C3
	MSHA-3/5,5-132S   MSHA-4/7,5-132S   MSHA-5/9,2-132M   MSHA-6/11- 132M   MS HB-2/7,5-132S   MS HB-3R/9,2-132M   MS HB-3/11-132M   MS HC- 2R1/11-132M	6206-ZZ C3	6308-ZZ C3
	4MSHC-6/5,5-132S   4MSHD-5/5,5-132S   4MSHD-6/7,5-132S	6208-ZZ C3	6208-ZZ C3
	MSHA-8/15-160M   MS HB-4/15-160M   MS HB-5/18,5-160L   MS HB-6/22- 160L   MS HC-3R/15-160M   MS HC-3/18,5-160L   MS HC-4R1/22-160L   MSHD-2/15-160M   MS HD-3R/18,5-160L   MS HD-3/22-160L	6308-ZZ C3	6309-ZZ C3
	MSHC-5/30-180M   MS HC-6/37-180L   MS HD-4/30-180M   MS HD-5/37- 180L	6309-ZZ C3	3310-ZZ C3



# HP SERIES



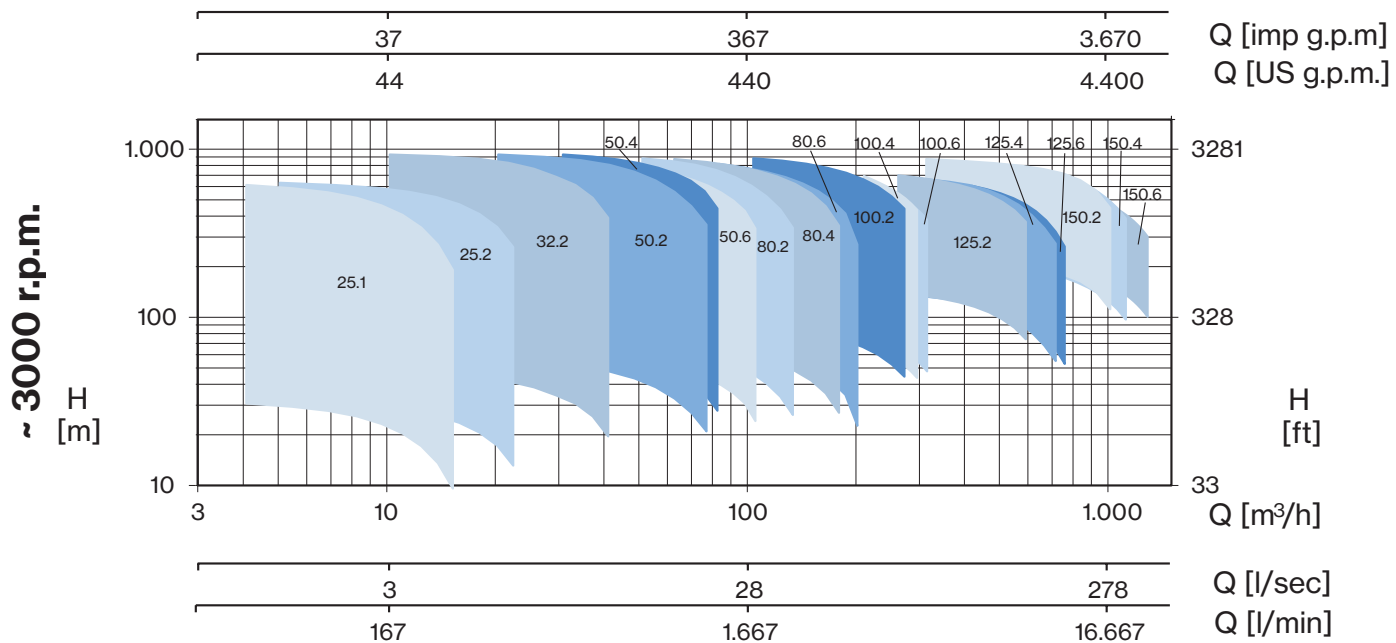
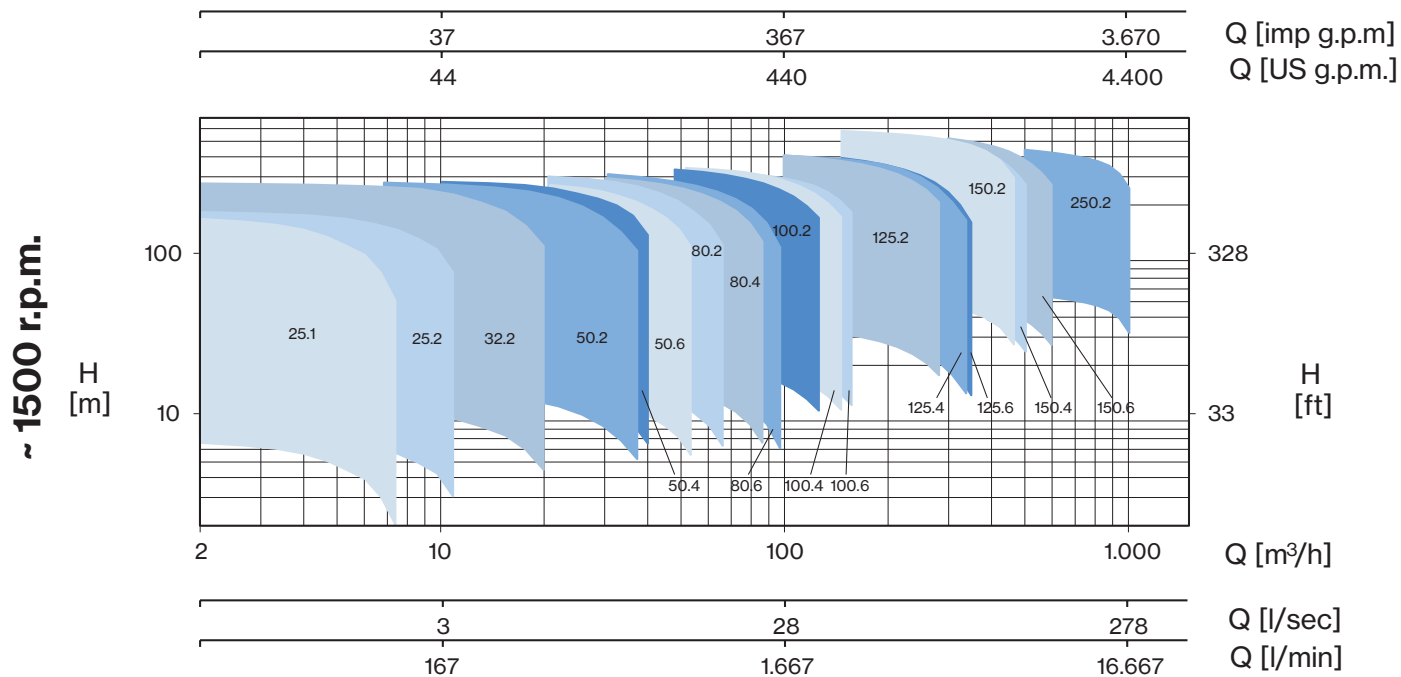
The multistage centrifugal pumps belonging to the HP series have a radial cross section, allowing an horizontal or vertical installation. The flanges of the suction and discharge ports are according to the EN or ANSI standards, these ports can operate radially and can be rotated 90°, in the HP, HPM and HPR models, or have an axial suction port for the HPA and HPMA models. This family of pumps is designed to operate in heavy duty conditions and with very high pressures (up to 100 Bar for the HPR versions) and with temperatures up to 180°C. The great choice of materials, the different kinds of sealing on the shaft and the various lubrication solutions for the pump's bearings, make this line very versatile and ideal for many uses in the industrial, energy and water processing fields.

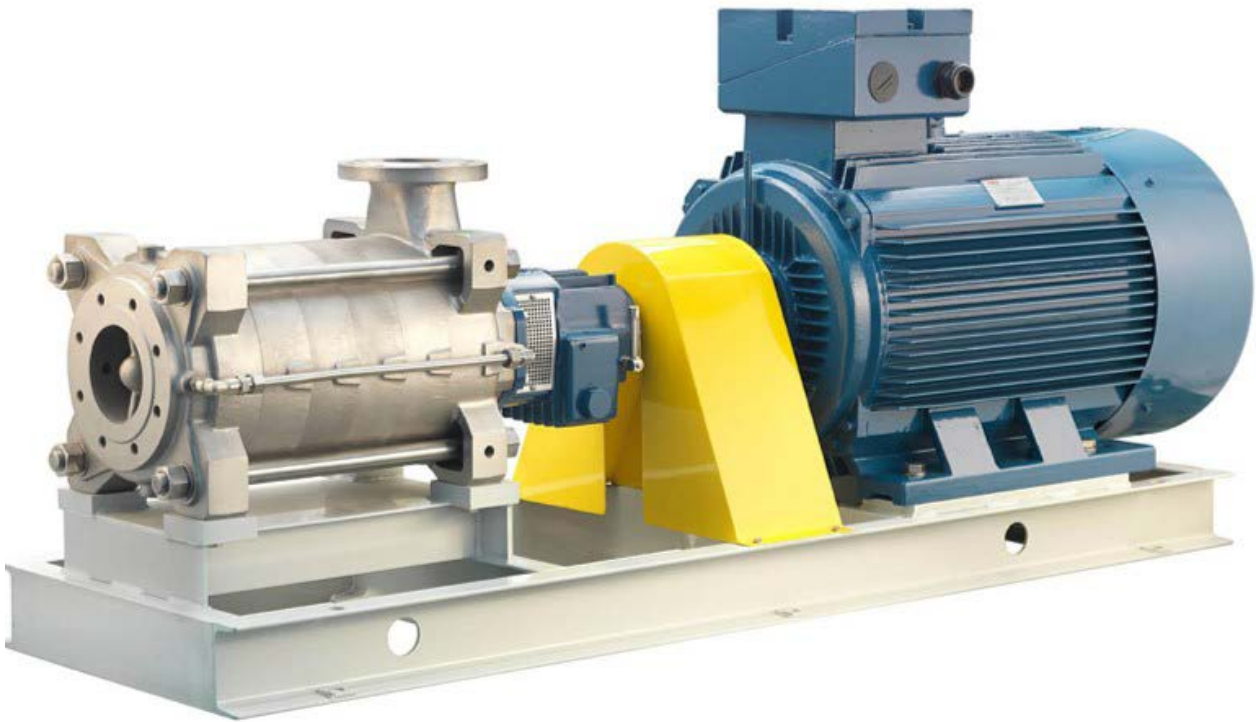
## Applications:

- Boiler feeding
- Water desalination by Reverse Osmosis
- Geothermal plants
- Service installations in the petrochemical sector

# HP SERIES

## PERFORMANCE RANGE





### Main characteristics

- Flow rates up to 1200 m<sup>3</sup>/h
- Pressure up to 1000 m
- High hydraulic efficiency, up to 80%
- Balancing drum, placed on the discharge casing, which effectively compensates the axial thrust produced by the impellers
- Versatile sealing system: which is available as packing, single Mechanical or Balanced Mechanical, other special types upon request
- The pumps' bearings are available with grease or oil lubrication in order to assure a long operating life
- Wear rings: they are available both fixed as well as rotating, in various materials, with hardening treatments

### General function data

- Pressure up to 100 bar
- Temperatures from -20°C to +180°C
- Rotational speed up to 3600 rpm.
- Standard flanges: UNI/EN
- Suction port: DN 40-300 - PN 16-25
- Discharge port: DN 25-250 - PN 64-100
- Performance tolerances: ISO9906-3B



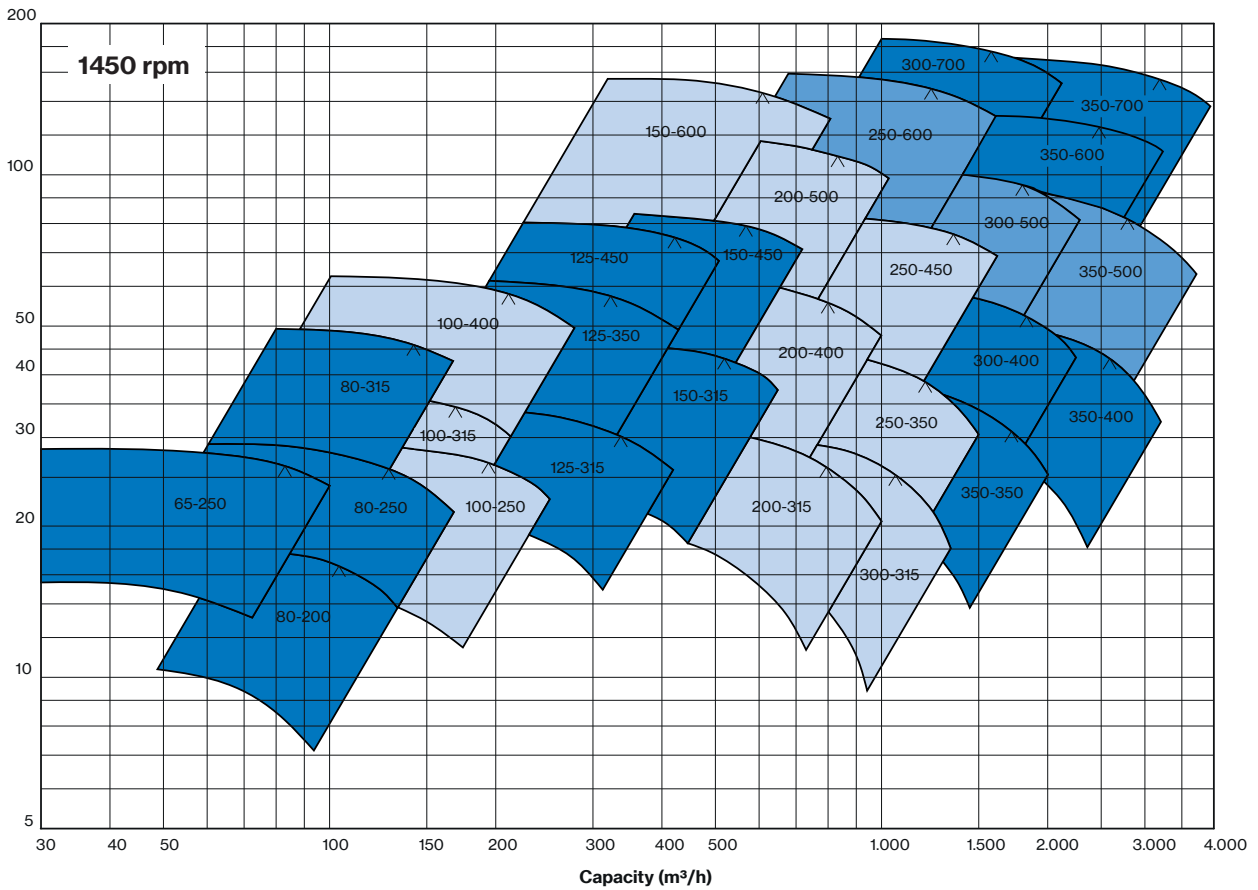
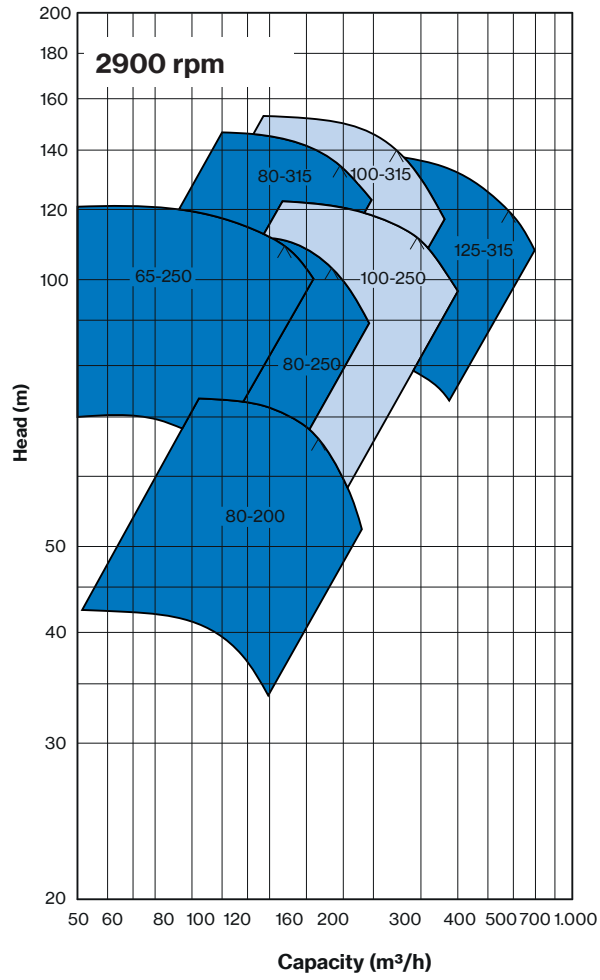
Horizontal axial split case single stage centrifugal pumps with in-line inlet and outlet. The double suction impeller design provides hydraulic balance to enhance bearing life span.

### Construction features

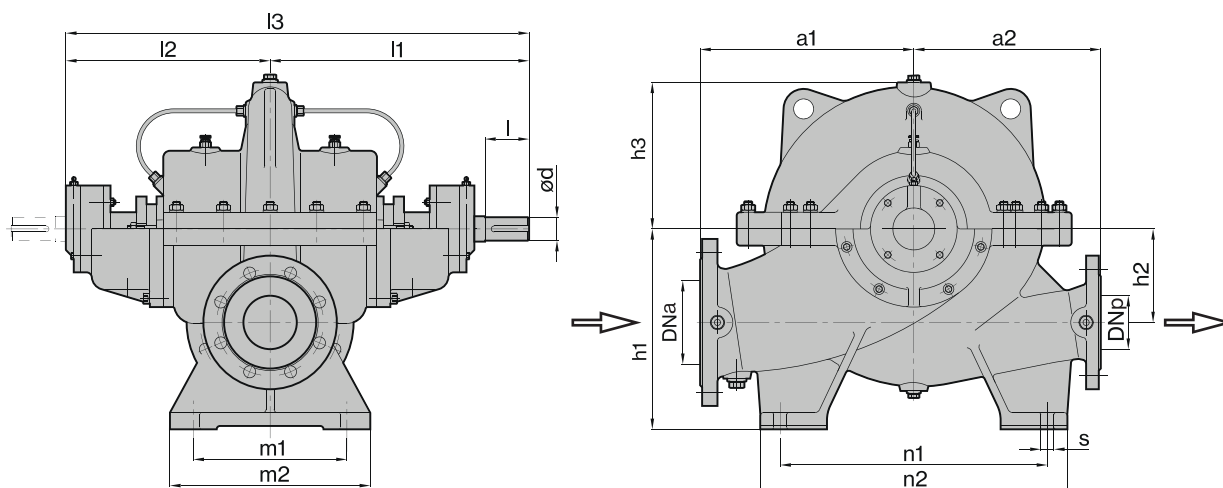
<b>Flow rate</b>	up to 4000 m <sup>3</sup> /h
<b>Pressure</b>	up to 180 m
<b>Temperature</b>	from -10 °C to +110 °C
<b>Rotation</b>	1450 - 2900 rpm
<b>Standard flanges</b>	conform to EN 1092-2/ PN 16 or PN 25
<b>Discharge port</b>	DN65-350 PN 16-25
<b>Bearing lubrication</b>	grease
<b>Sealing</b>	gland packing; also available with mechanical seal
<b>Impeller, casing and wear rings</b>	cast iron, also available in bronze or stainless steel
<b>Performance tolerance</b>	ISO 9906-3B







# PSC



TYPE	DIMENSIONS (mm)																			Kg
	PNa	PNp	DNa	DNp	ød	l	l1	l2	l3	a1	a2	h1	h2	h3	n1	n2	m1	m2	s	
65-250	16	16	100	65	35	80	400	310	710	320	280	300	140	200	400	460	230	300	20	165
80-200	16	16	125	80	35	80	400	310	710	320	280	300	140	200	400	460	230	300	20	165
80-250	16	16	125	80	35	80	400	310	710	320	280	300	140	200	400	460	230	300	20	175
80-315	16	16	125	80	35	80	400	310	710	360	300	300	140	260	400	460	230	300	20	197
100-250	16	16	150	100	42	90	450	350	800	360	310	355	170	235	400	480	280	340	20	220
100-315	16	16	150	100	42	90	450	350	800	360	310	355	170	250	400	480	280	340	20	230
100-400	16	16	150	100	42	90	450	350	800	420	370	355	170	300	460	540	280	340	20	290
125-315	16	16	200	125	55	120	555	420	975	420	370	400	200	280	460	540	320	380	22	330
125-350	16	16	200	125	55	120	555	420	975	470	450	400	200	300	540	660	320	380	22	380
125-450	16	16	200	125	55	120	555	420	975	500	450	400	200	350	540	640	320	380	22	410
150-315	16	16	200	150	55	120	555	420	975	470	400	400	200	310	540	640	320	380	22	395
150-450	16	16	200	150	55	120	555	420	975	500	450	400	200	365	540	640	320	380	22	430
150-600	25	25	250	150	65	130	645	500	1145	550	500	560	300	445	540	640	360	420	22	800
200-315	16	16	250	200	65	130	645	500	1145	500	450	500	240	315	540	640	360	420	22	570
200-400	16	16	250	200	65	130	645	500	1145	500	450	500	240	360	540	640	360	420	22	575
200-500	16	16	250	200	65	130	645	500	1145	550	500	560	300	380	620	720	360	420	22	700
250-350	16	16	300	250	65	130	645	500	1145	600	500	600	300	390	620	720	360	420	22	682
250-450	16	16	300	250	65	130	645	500	1145	600	500	600	300	415	620	720	360	420	22	780
250-600	25	25	300	250	80	170	720	540	1260	650	550	600	300	430	620	710	415	485	26	1190
300-315	16	16	350	300	65	130	645	500	1145	600	500	630	300	400	620	700	360	420	22	700
300-400	16	16	400	300	75	140	770	615	1385	700	550	710	350	450	720	800	420	520	26	1125
300-500	16	16	400	300	85	170	755	585	1340	700	750	710	350	425	700	800	420	520	26	1500
300-700	25	25	400	300	100	180	865	675	1540	750	800	710	350	470	720	880	420	520	26	1650
350-350	16	16	400	350	75	140	770	615	1385	700	550	670	350	450	720	800	420	520	26	1100
350-400	16	16	500	350	75	140	770	615	1385	800	600	800	380	500	800	960	500	600	26	1400
350-500	16	16	500	350	80	170	755	585	1340	800	600	800	400	435	740	900	500	600	26	1435
350-600	25	25	500	350	80	170	825	650	1475	800	600	800	400	510	800	900	500	600	26	1435
350-700	25	25	500	350	100	180	865	675	1540	850	750	850	450	525	720	880	500	600	26	2000



# VP SERIES

VP



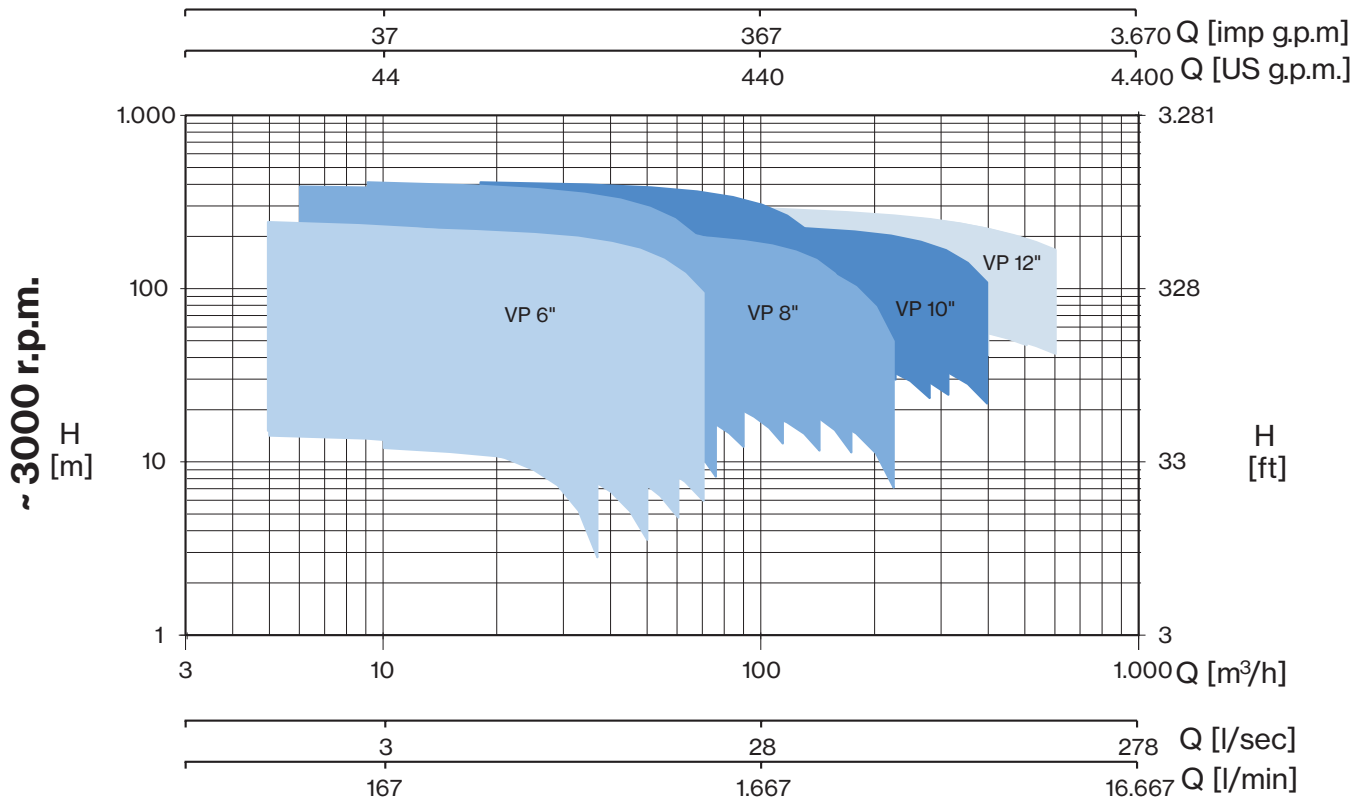
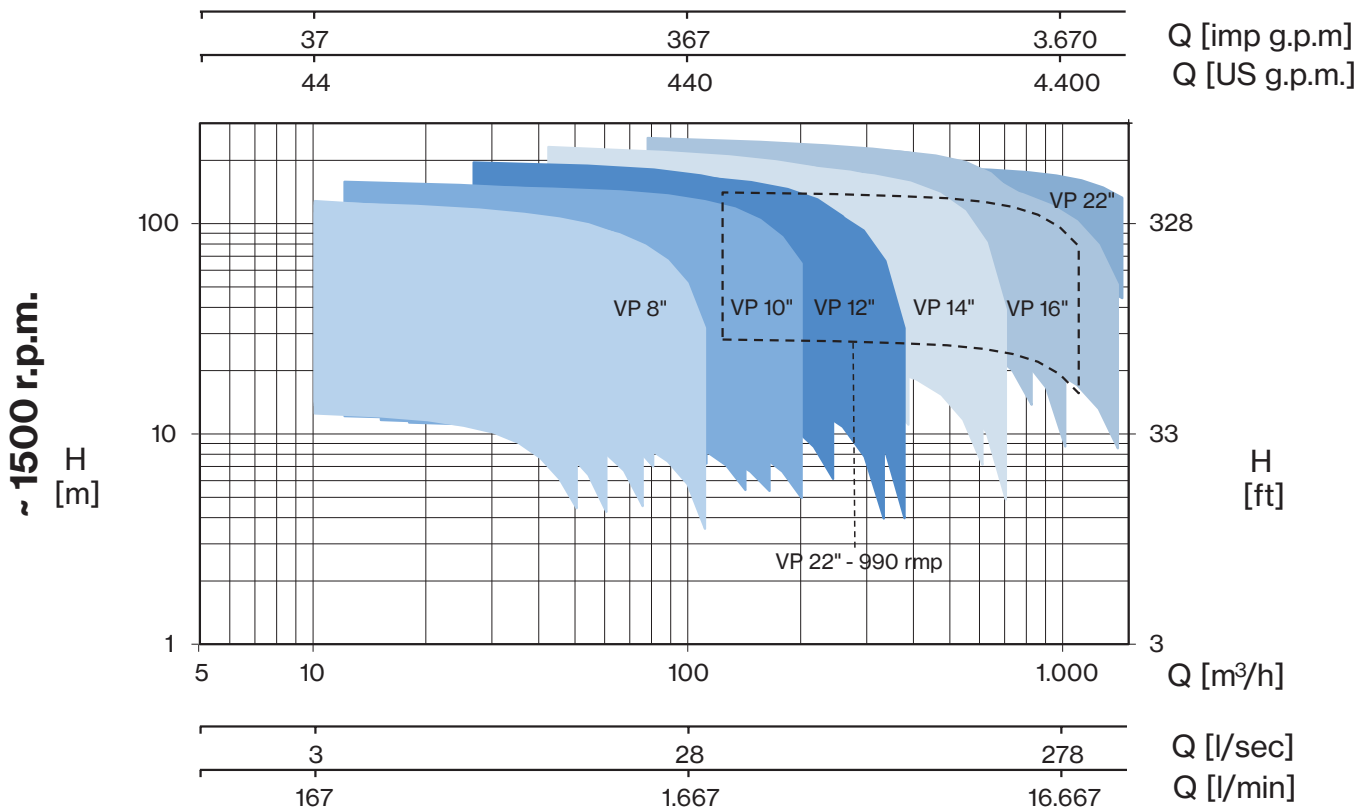
Vertical lineshaft pumps with submerged pump bowl specifically developed for the industrial sectors, irrigation, waterworks and fire-fighting systems. Extremely versatile for the use in areas not served by electricity, as emergency or back-up units. Available in different materials and versions with drive head and electric motor or gear box for diesel engine.

## **Applications:**

- Pumping units for fire-fighting systems
- Aqueducts
- Condensate extraction in power plants
- Geothermal plants
- Water treatment on Reverse Osmosis plants

# VP SERIES

## PERFORMANCE RANGE



## Main characteristics

- Capacity up to 1.600 m<sup>3</sup>/h
- Pressure up to 400 m
- High hydraulic efficiency, up to 82%
- Thrust bearing (grease or oil with optional external cooling) for use of standard motors
- Axis lines with tapered joints for reliable and durable connection of the shaft
- Special bushings resistant to the wear of abrasive liquids and temperatures up to 140°C
- Control unit for electric motor, transmission angle on request
- AISI 420 stainless steel shaft for standard versions
- The pump part of VPL models is produced in the standard execution in AISI 304 stainless steel
- The pump part of VP models is produced in the standard execution in cast iron



## Technical operational specifics for standard versions

- All the hydraulic performance values below are guaranteed in accordance with standard ISO 9906-Grade 3B
- The allowable content of solids in the pumped liquid is 100 g/m<sup>3</sup>
- All the components wetted with liquid are available in various types of steel and bronze alloy





# ACCESSORIES

# ELECTRONIC FLOW CONTROL



**HIDROMATIC H2**

- Complete replacement of the traditional water system set consisting on pressure switch and pressure tank
- Control the starting of the electric pump after a pressure decrease (taps opening) and stopping when the fluid flow interrupt at the maximum pressure level of the electric pumps (taps closing)
- Protection against dry running
- Starting pressure adjustable during the installation
- Standard 1" M hydraulic connections
- Installation in any position - both vertical and horizontal according to the flow direction
- Easily replaceable electronic printed circuit board
- No need of maintenance

TECHNICAL DATA	
<b>Power supply</b>	110-230V ac $\pm$ 10% 50/60Hz
<b>Max rated current</b>	12 A
<b>Starting pressure range</b>	1 - 3,5 bar
<b>Max pressure</b>	10 bar
<b>Protection degree</b>	IP65
<b>Max fluid temperature</b>	55 °C
<b>Max ambient temperature</b>	55 °C



**HIDROTANK H2**

- Automatic start and stop operations of single-phases electric pumps up to 2 HP
- Replacement of the traditional water system set consisting on pressure switch and pressure tank.
- Control the starting of the electric pump after a pressure decrease (taps opening) and stopping when the fluid flow interrupt at the maximum pressure level of the electric pumps (taps closing)
- Protection against dry running
- Starting pressure adjustable during the installation
- Standard 1" M hydraulic connections
- Installation in any position-both vertical and horizontal - according to the flow direction
- Easily replaceable electronic printed circuit board
- No need of maintenance
- Thanks to the 0,4 lt. tank it protects from the frequent start-stop required by small request of water and from any losses into the system
- Protection of the electronic board thanks to the new watertight compartment
- Protection from water-hammer
- New design and new concept
- Built in 0,4 lt. tank
- Built in pressure gauge
- Watertight electronic part

TECHNICAL DATA	
<b>Power supply</b>	230Vac $\pm$ 15% 50/60Hz
<b>Max rated current</b>	12 A (2HP) - 1500 W
<b>Starting pressure range</b>	1 $\div$ 3,5 bar (1,5 bar factory setting)
<b>Max pressure</b>	10 bar
<b>Protection degree</b>	IP65
<b>Fluid temperature</b>	5°C $\div$ 35 °C
<b>Ambient temperature</b>	5°C $\div$ 45°C
<b>Hydraulic connection</b>	1" M



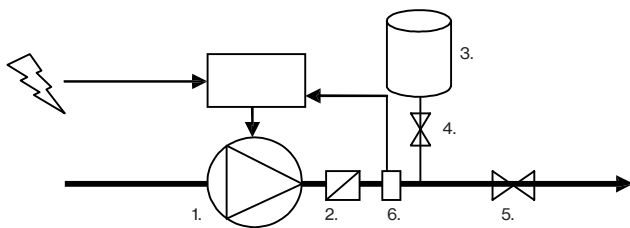


# VARIABLE SPEED DRIVE



Frequency 48-62 Hz  
 Max ambient temperature 40°C (104°F)  
 Max humidity 50% a 40°C  
 Max altitude 1000 m  
 PWM configurable 2,5; 8 KHz  
 Complies with the electromagnetic conformity directive

V in (±15%)	V out	I line max	I out max	P2	Kg
1-230 V	3-230 V	11 A	7,5 A	2,5 HP	2,5



1. Pump
2. Non return valve
3. Pressure tank  
*Pressure tank volume suggested: 10% of the capacity of the system*
4. Valve-Tap
5. Valve
6. Pressure sensor

VSD Variable Speed Drive	TYPE	up to	
		P2	
		HP	kW
EPIC	CAM	2	1,5
	CAB	2	1,5
	INOX	1,5	1,1
	MPX	1,2	0,88
	MB	2	1,5
	CM	1,5	1,1
	CS 2"	2	1,5
	CH	1,5	1,1
	CB	1,5	1,1
	ULTRA 3	2,5	1,85
	ULTRA 5	2,5	1,85
	ULTRA 7	2,5	1,85
	ULTRA 9	2,5	1,85
ULTRA 18	2,5	1,85	



## VARIABLE SPEED DRIVE



It's a variable frequency device (inverter); specifically designed for control and protection of electric pumps. Connected to any electric pumps regulates the motor speed in order to manage the pumps performance in relation to operating conditions and requests of the system. Consists in compact electronic units equipped with microprocessor contained in an aluminium structure that grants strenght, ease cooling.

The advantages of the use of IPFC:

- Energy saving
- Simple Installation
- Overload protection
- Dry running protection
- Noise reduction
- Soft Start & Stop
- Installation options: directly on the motor cover of the pump or wall installation

TYPE	IPFC 109	IPFC 114	IPFC 306	IPFC 309	IPFC 311	IPFC 314	IPFC 318	IPFC 325	IPFC 330	IPFC 338	IPFC 348	IPFC 365	IPFC 375	IPFC 385
<b>Input rated voltage</b>	1 × 230 V ± 15%			3 × 400 V ± 15%										
<b>Output rated voltage</b>	1 × 230 V 3 × 230 V			3 × 400 V										
<b>Output rated current</b>	9 A 1- 7 A 3-	9 A 1- 11 A 3-	6 A 3-	9 A 3-	11 A 3-	14 A 3-	18 A 3-	25 A 3-	30 A 3-	38 A 3-	48 A 3-	65 A 3-	75 A 3-	85 A 3-
<b>Output rated power</b>	1,1 kW 1- 1,5 kW 3-	1,1 kW 1- 3 kW 3-	2,2 kW 3-	4 kW 3-	4 kW 3-	5,5 kW 3-	7,5 kW 3-	11 kW 3-	15 kW 3-	18,5 kW 3-	22 kW 3-	30 kW 3-	37 kW 3-	45 kW 3-
<b>Max motor current</b>	7,2 A 1- 6,3 A 3-	7,2 A 1- 9,9 A 3-	5,4 A 3-	8,1 A 3-	9,9 A 3-	12,6 A 3-	16,2 A 3-	22,5 A 3-	27 A 3-	34,2 A 3-	43,2 A 3-	58,5 A 3-	67,5 A 3-	76,5 A 3-
<b>Input frequency</b>	50 - 60 Hz													
<b>PWM frequency</b>	2,5 - 4 - 6 - 8 - 10 - 12 kHz settable													
<b>Control panel</b>	backlight LCD with 2 x 16 characters and buzzer / Bluetooth® SMART 4,0													
<b>Input analogical signals</b>	4 × 4 - 20 mA													
<b>Input digital signals</b>	2													
<b>Comunication</b>	RS485 / Bluetooth SMART 4,0													
<b>2 DOL Auxiliary pump contacts</b>	clean, NO, 230 V, I <sub>max</sub> , 6 A													
<b>Cooling</b>	Auxiliar built-in cooling fan /mot fan													
<b>Protection degree</b>	IP55 (IP54 for IPFC 338 < > IPFC 385)													
<b>Assembly</b>	on motor fan cover with kit / hang on wall with kit							on motor feet / wall with kit						
<b>Max ambient temperature</b>	40° C													
<b>Max ambient altitude</b>	1000 m slm / de-rate 2% each 100 m													
<b>Input / Output feeding cable</b>	2 × PG 13,5 + 3 × PG 9													
<b>Dimension</b>	181 × 181 × 228 mm					260 × 260 × 180 mm					410 × 680 × 260 mm			



**PRESSURE TRANSDUCER**

TYPE	Output signal	Input voltage	Working pressure	Maximum pressure
SPD	4... 20 mA	9... 28 V	0 - 16 bar 0 - 25 bar	32 bar



# PROTECTION/CONTROL PANEL

## Legend

SERIES	ELECTRICITY SUPPLY		N. PUMPS			PUMP TYPE			POWER P2	SPEED		MOTOR STARTER			FEATURE			
	1~	3~	1	2	3	Borehole	Submersible	Surface	Kw	Fixed	Variable	DOL	Y/Δ	Soft start	Impedance start	Switch with overload protection	Electromechanical control panel	Electronic control panel
PML	■	-	■	-	-	■	-	■	0,37 ÷ 2,2	■	-	■	-	-	-	■	-	-
PMC	■	-	■	-	-	■	-	■	1,1 ÷ 1,5	■	-	■	-	-	-	■	-	-
PMLD	■	-	■	-	-	-	-	-	1,1 ÷ 1,5	■	-	■	-	-	-	■	-	-
PT	-	■	■	-	-	■	-	■	0,37 ÷ 15	■	-	■	-	-	-	■	-	-
EQSM	■	-	■	-	-	■	■	■	0,37 ÷ 2,2	■	-	■	-	-	-	-	-	■
EQSMT	-	■	■	-	-	■	■	■	0,55 ÷ 15	■	-	■	-	-	-	-	-	■
QST	-	■	■	-	-	■	-	■	4,5 ÷ 220	■	-	-	■	-	-	-	■	-
QSS	-	■	■	-	-	■	-	■	7,5 ÷ 220	■	-	-	-	■	-	-	■	-
QRS	-	■	■	-	-	■	-	-	4,5 ÷ 220	■	-	-	-	-	■	-	■	-
EQ2SM	■	-	-	■	-	■	■	■	0,37 ÷ 15	■	-	■	-	-	-	-	-	■
EQ2SMT	-	■	-	■	-	■	■	■	0,55 ÷ 15	■	-	■	-	-	-	-	-	■
Q2ST	-	■	-	■	-	■	■	■	4,5 ÷ 220	■	-	-	■	-	-	-	■	-
EQ3SM	■	-	-	-	■	■	■	■	0,37 ÷ 2,2	■	-	■	-	-	-	-	-	■
EQ3SMT	-	■	-	-	■	■	■	■	0,55 ÷ 15	■	-	■	-	-	-	-	-	■

## Overload protection unit for 1 single-phase pump with run capacitor



- Power supply 1x230V-50/60Hz
- Electrical switch
- Run capacitor
- Externally resettable thermal relay
- Illuminated 0-1 main switch
- IP55 rated thermoplastic enclosure
- Outputs with cable gland

TYPE	A	RUN CAPACITOR (μF)	POWER	
			HP	kW
PML 5/16-4	4	16	0,5	0,37
PML 5/20-4	4	20	0,5	0,37
PML 7/20-6	6	20	0,75	0,55
PML 7/25-6	6	25	0,75	0,55
PML 10/30-7	7	30	1	0,75
PML 10/35-7	7	35	1	0,75
PML 15/40-10	10	40	1,5	1,1
PML 20/50-13	13	50	2	1,5
PML 20/60-13	13	60	2	1,5
PML 30/75-18	18	75	3	2,2
PML 30/80-18	18	80	3	2,2
PMC 15/35-15	15	35	1,5	1,1
PMC 20/50-18	18	50	2	1,5

## PROTECTION/CONTROL PANEL

### Overload protection unit for 1 single-phase pump with run capacitor + start capacitor with disjuncter



PMLD

- Power supply 1x230V-50/60Hz
- ON/OFF switch
- Electrical switch
- Run + start capacitor with disjuncter
- Externally resettable thermal relay
- Green illuminated main switch
- IP55 rated thermoplastic enclosure
- Outputs with cable gland

TYPE	A	RUN CAPACITOR (μF)	START CAPACITOR (μF)	POWER	
				HP	kW
PMLD 15-35-13	13	35	80	1,5	1,1
PMLD 20/50-15	15	50	80	2	1,5

### Overload protection unit for 1 three-phase pump



PT

- Power supply 3x400V-50/60Hz
- ON/OFF switch
- Protective device with thermal relay for motor overload or phase failure
- Thermoplastic enclosure
- IP55 protection level

TYPE	A	POWER	
		HP	kW
PT 5/0,9-1,3	0,9-1,3	0,5	0,37
PT 7/1,3-2,1	1,3-2,1	0,75	0,55
PT 10/1,9-3	1,9-3	1	0,75
PT 15-20/2,9-4,5	2,9-4,5	1,5-2	1,1-1,5
PT 20-30-40/4,3-6,8	4,3-6,8	2-3-4	2,2-3
PT 40-50/5,7-9,1	5,7-9,1	4-5,5	3-4
PT 55-75/8,6-13,5	8,6-13,5	5,5-7,5	4-5,5
PT 100/12,5-16,5	12,5-16,5	10	7,5
PT 125-150-16-21	16-21	12,5-15	9,2-11
PT 200/22-29	22-29	20	15

## Electronic control panel for 1-2-3 pumps with direct start-up



- Single-phase version 100-240Vac 50/60Hz
- Three-phase version 310-450Vac 50/60Hz
- LCD display for voltage, current, power factor, hours of operation, number of starts, motor status, alarms, analogue signal and thresholds
- AUTOMATIC - 0 - MANUAL operation buttons
- Voltage and current minimum and maximum electronic control, failure or incorrect phase sequence control on power supply input
- Programmable anti-seize autotest
- Dry running protection through level probes/ floats/ pressure switches and minimum current
- Up to 6 control inputs: floats/pressure switches
- Input for 4-20 mA or 0-10V analogue signal
- Analogue signal cm - m - bar
- Emergency start and stop inputs with analogue signal
- Clickson thermal pad inputs with automatic reset
- Inversion of inputs (from normally open to normally closed)
- Activation delay from mains return
- Manual button operation (fixed or pulse)
- Programmable alarms for voltage, levels, motor overload, minimum motor current, clicson, output contacts, starts/hour
- Automatic reset for minimum current alarm with 4 programmable times
- Auxiliary and motor protection fuses, isolator protection, duty standby protection
- ABS box IP55. Metallic box IP55 for EQ3SMT
- Duty-standby and motor changeover in the case of a fault for two-pump and three-pump control panels
- Predisposition for capacitors for single-phase versions (capacitors are available separately)

TYPE	VERSION	PUMPS N.	A	POWER		WEIGHT (Kg)
				HP	kW	
EQSM	1-	1	0-18	0,5-3	0,37-2,2	1,5
EQSMT 10	3-	1	0-18	0,75-10	0,55-7,5	2,3
EQSMT 15	3-	1	16-25	10-15	7,5-11	2,5
EQSMT 20	3-	1	16-32	15-20	11-15	3
EQ2SM	1-	2	0-18	0,5-3	0,37-2,2	1,5
EQ2SMT 10	3-	2	0-18	0,75-10	0,55-7,5	2,5
EQ2SMT 15	3-	2	16-25	10-15	7,5-11	3
EQ2SMT 20	3-	2	16-32	15-20	11-15	3,5
EQ3SM	1-	3	0-18	0,5-3	0,37-2,2	5
EQ3SMT 10	3-	3	0-18	0,75-10	0,55-7,5	15
EQ3SMT 15	3-	3	16-25	10-15	7,5-11	15
EQ3SMT 20	3-	3	16-32	15-20	11-15	15



RUN CAPACITOR	POWER
	HP
20µF	0,5
25µF	0,75
35µF	1-1,5
40µF	1,5
50µF	2
80µF	3

RUN CAPACITOR + START CAPACITOR WITH DISJUNCTOR	POWER
	HP
35µF + 80µF	1,5
50µF + 80µF	2

## PROTECTION/CONTROL PANEL

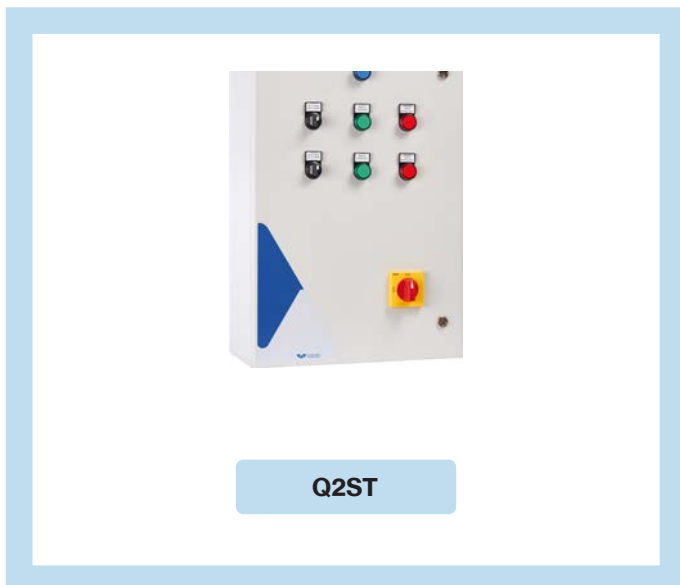
### Star/delta control panel for 1 three-phase pump



- Power supply 3x400V-50/60Hz
- 24V transformer for auxiliary circuit
- Low voltage inputs and circuits
- Blue mains supply LED
- Green motor running LED
- Red motor overload alarm LED
- Star/delta line contactors in AC3
- Auxiliary and motor protective devices with fuses
- Main door interlock switch disconnecter
- ABS box up to 11kW, metal box from 15kW

TYPE	A	POWER	
		HP	kW
QST 5	13	5,5	4
QST 7	15	7,5	5,5
QST 10	17	10	7,5
QST 15	24	15	11
QST 20	31	20	15
QST 25	38	25	18,5
QST 30	50	30	22
QST 40	60	40	30
QST 50	75	50	37
QST 60	100	60	45
QST 75	124	75	55
QST 100	135	100	75
QST 125	155	125	92
QST 150	200	150	110
QST 180	241	180	132
QST 220	300	220	162
QST 300	410	300	220

### Star/delta control panel for 2 three-phase pumps



- Power supply 3x400V-50/60Hz
- 24V transformer for auxiliary circuit
- Low voltage inputs and circuits
- Blue mains supply LED
- Green motor running LED
- Red motor overload alarm LED
- Star/delta line contactors in AC3
- Auxiliary and motor protective devices with fuses
- Main door interlock switch disconnecter
- Metal box (whole range)

TYPE	A	POWER	
		HP	kW
Q2ST 3	8,5	3	2,2
Q2ST 5	13	5,5	4
Q2ST 7	15	7,5	5,5
Q2ST 10	17	10	7,5
Q2ST 15	24	15	11
Q2ST 20	31	20	15
Q2ST 25	38	25	18,5
Q2ST 30	50	30	22
Q2ST 40	60	40	30
Q2ST 50	75	50	37
Q2ST 60	100	60	45
Q2ST 75	124	75	55
Q2ST 100	135	100	75
Q2ST 125	155	125	92
Q2ST 150	200	150	110
Q2ST 180	241	180	132
Q2ST 220	300	220	162
Q2ST 300	410	300	220

## PROTECTION/CONTROL PANEL

### Soft start control panel for 1 three-phase pump



- Power supply 3x400V-50/60Hz
- Blue mains supply LED
- Green motor running LED
- Red motor overload alarm LED
- NA input for start control
- Auxiliary motor protective devices with fuse
- Main door interlock switch disconnecter
- Forced ventilation kit
- IP54 rated metal box
- Ambient temperature  $-5 \div +40^{\circ}\text{C}$

TYPE	A	POWER	
		HP	kW
QSS 10	18	10	7,5
QSS 15	25	15	11
QSS 20	30	20	15
QSS 25	37	25	18,5
QSS 30	45	30	22
QSS 40	60	40	30
QSS 50	72	50	37
QSS 60	85	60	45
QSS 75	105	75	55
QSS 80	125	80	59
QSS 100	142	100	75
QSS 125	170	125	92
QSS 150	210	150	110
QSS 180	250	180	132
QSS 220	300	220	162
QSS 300	370	300	220

### Control panel with impedance start for 1 three-phase pump



- Power supply 3x400V-50/60Hz
- Blue mains supply LED
- Green motor running LED
- Red motor overload alarm LED
- NA input for start control
- Stator reactance with 4 starts/hour, 2 of which are consecutive
- Adjustable reactance timer
- Line and impedance starter contactors in AC3
- Main door interlock switch disconnecter
- Ambient temperature  $-5 \div +40^{\circ}\text{C}$

TYPE	A	POWER	
		HP	kW
QRS 5	13	5,5	4
QRS 7	16	7,5	5,5
QRS 10	20	10	7,5
QRS 15	29	15	11
QRS 20	35	20	15
QRS 25	52	25	18,5
QRS 30	63	30	22
QRS 40	80	40	30
QRS 50	90	50	37
QRS 60	110	60	45
QRS 75	135	75	55
QRS 90	150	90	66
QRS 100	175	100	75
QRS 125	200	125	92
QRS 150	235	150	110
QRS 180	310	180	132
QRS 220	360	220	162
QRS 300	410	300	220

# TANKS



## UTILIZATION

Interchangeable membrane expansion tanks; the pre-charge pressure in the tank guarantees a water reserve but also reduces the number of startups of the connected pump; the membranes are certified for use with foodstuffs; they may be in EPDM or butyl depending on the model.

## CONSTRUCTION CHARACTERISTICS

Flanges in galvanised steel or AISI 304 stainless steel. Tanks in carbon steel coated with powder paint or in AISI 304 stainless steel.

Pre-charge valve with protective cover.

TYPE	DESCRIPTION
AS 24	24 lt. Spherical tank
ACV 24	24 lt. Horizontal tank
ACZ 24	24 lt. Horizontal tank
ACA 24 SS	24 lt. Stainless steel tank
AC 50	50 lt. Horizontal tank
AC 60	60 lt. Horizontal tank
AC 80	80 lt. Horizontal tank
AC 100	100 lt. Horizontal tank
AC 200	200 lt. Horizontal tank
AC 300	300 lt. Horizontal tank
AV 50	50 lt. Vertical tank
AV 60	60 lt. Vertical tank
AV 80	80 lt. Vertical tank
AV 100	100 lt. Vertical tank
AV 200	200 lt. Vertical tank
AV 300	300 lt. Vertical tank
AV 500	500 lt. Vertical tank
AV 750	750 lt. Vertical tank
AV 1000	1000 lt. Vertical tank

# MEMBRANES



TYPE	DESCRIPTION
MZ 24	EPDM membrane for ACZ 24 lt.
M 24	membrane for AS 24 - ACV 24
M 50	membrane for AC 50 - AV 50
M 100	membrane for AC 100 - AV 100
M 200	membrane for AC 200 - AV 200
M 300	membrane for AC 300 - AV 300
M 500	membrane for AV 500
M 750 - 2000	membrane for AV 750 - AV 2000





# PRESSURE SWITCHES



TYPE	DESCRIPTION	RANGE AT RISING PRESSURE (bar)
PP5	1- / 3-	1-5
PP12	1- / 3-	3-12

# PRESSURE GAUGES



TYPE	PHASE
PR 6	0-6 bar rear connection
PR 6 R	0-6 bar radial connection
PR 12	0-12 bar rear connection
PR 10 G	0-10 bar glycerine
PR 12 G	0-12 bar glycerine

# FLEXIBLE HOSES



TYPE	DESCRIPTION
FL 530	Flexible hose with bend 1"x530x1"
FL 600	Flexible hose with bend 1"x600x1"
FL 700	Flexible hose with bend 1"x700x1"
FL 850	Flexible hose with bend 1"x850x1"

# CONNECTORS



TYPE	DESCRIPTION
R3	3 way 1" brass connector
R5	5 way 1" brass connector



TYPE	DESCRIPTION
R5X 1"	5 way 1" Aisi 304 connector with built-in no return valve
R5X 1"1/4	5 way 1" 1/4 Aisi 304 connector with built-in no return valve
R5X 1"1/2	5 way 1" 1/2 Aisi 304 connector with built-in no return valve

# VALVES



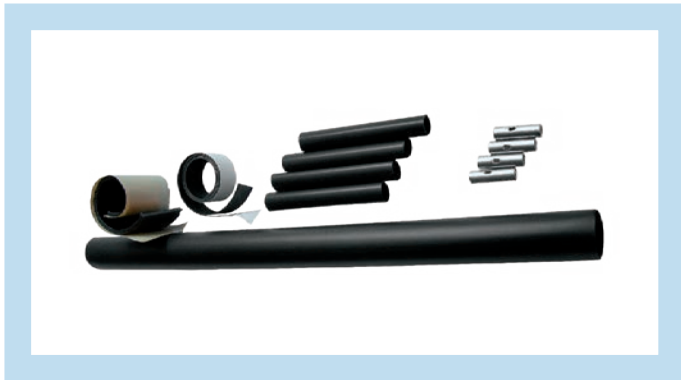
TYPE	DESCRIPTION
VF 1"	foot valve 1"
VF 1" 1/4	foot valve 1" 1/4
VF 1"1/2	foot valve 1" 1/2
VF 2"	foot valve 1" 1/2
VR1"	check valve 1"
VR 1"1/4	check valve 1" 1/4
VR 1"1/2	check valve 1" 1/2
VR 2"	check valve 1"

# FLOAT SWITCHES



TYPE	DESCRIPTION
GK 2	Key 2 mt. cable length
GK 3	Key 3 mt. cable length
GK 5	Key 5 mt. cable length
GK 10	Key 10 mt. cable length

# CABLES JOINTS



## Kit GC series

Junction cable kit with heat - shrinkable tubing.

For a professionally made junction it is recommended to use the "Kit GC", it has excellent requirements in terms of electric, mechanical and water resistance. This kit is composed of: crimp wire connectors in tinplated copper, thin wall heat-shrinkable tubing to cover the conductor of the cable, a strip of Scotch 2547, one of Scotchfil and medium wall heat-shrinkable tubing to cover the junction. It is recommended to seal the two end points of the sheath with a PVC textured insulating tape.

TYPE	Cables section mm <sup>2</sup>	Cable number
Kit GC 4/2,5	1/2,5	4
Kit GC 4/6	4/6	4
Kit GC 4/10	10	4
Kit GC 4/16	16	4
Kit GC 4/25	25	4
Kit GC 4/35	35	4
Kit GC 4/50	50	4
Kit GC 1/50	50	1
Kit GC 1/70	70	1
Kit GC 1/95	95	1
Kit GC 1/120	120	1
Kit GC 1/150	150	1

# LEVEL PROBES



## Kit K3SL series

Level Probes Kit consist of 3 electrodes model K3SL. Single pole probe used for level control in wells or storage tanks.

It made of an AISI 303 stainless steel electrode, a plastic (PPOX) holder and a cable gland.

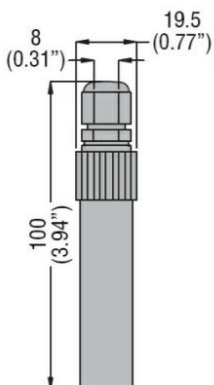
A seal ring and the tightening of the cable gland PG7 prevent water from entering the cable terminal connector and causing its oxidation.

Cable connection: screw.

The external cable diameter must be 2.5 to 6mm/Ø0.1 to 0.24" to warrant perfect sealing.

Maximum connection cable section: 2.5mm<sup>2</sup>.

Maximum operating temperature: +60°C.



# GENERAL SALES CONDITIONS

1) ORDERS: Any order sent to us, whether by our representatives or by letter, telephone or fax, will be considered definite only after our regular acceptance in writing. 2) DELIVERY: The terms indicated for delivery are not binding but subject to manufacturing factors and unforeseeable circumstances (trade unions unrest, breakdown of machinery, late delivery by our suppliers, general unavailability of raw materials, fire, flood or other forces majeure). Any delay which might occur will not give rise on the part of the purchaser of the right to annul the order or to claim damages. 3) TRANSPORT: Goods travel at the customer's risk even if the price is stated as carriage free. The vendor will not be liable for the underweight goods or damage caused during transit as the carrier is exclusively liable in such cases and it is to him that the receiving party must promptly address a right informative notice in writing to this to the dealer. After 8 days have passed from receipt of the goods, no claims are in any case ammissible. 4) PRICES: The prices are to be understood as net of tax duties and may be changed without notice. 5) RIGHT OF PROPERTY: The goods property belongs to the manufacturer and it is not acquired by the customer until the complete payment is made for the goods, and for any interest and costs involved. In case of payment not honoured, goods will, on the manufacturer's express request, be promptly sent back to the stores in free port indicated by the manufacturer. In any case the manufacturer reserves the right to charge the customer with the cost of restoration and renewal of returned goods. 6) PAYMENTS: Payments must be effected at due dates and in the terms agreed at our Headquarters. Payments made to agents, representatives or others are not recognized even by bills unless there is an express written authority by the manufacturer. In case of payment by instalments the failure to pay even one instalment allows the manufacturer to require the balance immediately plus the interest accrued at the average rate in force for the period. 7) BLOCKAGE OF CLAIMS: The customer may not, for any reason, delay or suspend payments owed on any account even if claims or disputes have arisen, nor may he start or take legal action of any kind if he has not first paid by the terms and in the terms agreed. 8) TECHNICAL CHARACTERISTICS: The technical data and characteristics stated in all the manufacturer's official publications refer to indicative nominal values. For specific needs and on explicit demand, the manufacturer can provide detailed technical sheets from which the internal acceptance criteria of the product can be deduced. The manufacturer reserves the right to make any modification without prior notice. Therefore weights, dimensions, performances and any other stated issues are indicative only and not binding. 9) GUARANTEE: The manufacturer gives the guarantees provided by the Law. The guarantee covers every manufacturing defect only for the components/parts produced by the manufacturer: the Company also limits itself to the repair or replacement of the electric pump, or of the part recognized as being faulty, at the manufacturer's premises or other authorized premises. In no case however does the guarantee imply the possibility of claiming an indemnity and any liability is denied for damage to things or to the person caused by the manufacturer machines, whether directly or indirectly. The guarantee does not apply: - If the machine has been repaired, dismantled or tampered by persons not authorized by the manufacturer. - If the breakdown has been caused by errors in connecting the electrical or hydraulic systems, or by the failure to provide protection or the provision of inadequate protection. - If the setting up of the machine or its electrical or hydraulic systems has not been correctly carried out. - If the machine has been subject to loads exceeding the ones within the label specifications. - If materials have been damaged due to contact with abrasive or corrosive liquids or which are in any way incompatible with the materials used in the manufacture of the pumps. - If the materials have deteriorated due to natural wear. The defective machine must be taken to the manufacturer's premises in free port. The manufacturer reserves the indisputable right to impute the cause of the defect and to ascertain whether it falls within the warrant cases at his full expences. When the machine has been repaired it will be returned to the customer. 10) COMPETENT COURT: In case of any dispute the competent Court will be the one of Verona even if the payment is by Bill of Exchange. 11) RECOURSE TO OTHER NORMS: As regard to other matters not expressly stated in the above points, the laws, norms and commercial customs in force at the place, where the manufacturer has its premises, will be applied.

**The manufacturer assumes no responsibility for errors and omissions and reserves the right of changes without notice.**





COMPANY WITH QUALITY, ENVIRONMENT, HEALTH  
AND SAFETY MANAGEMENT CERTIFIED SYSTEMS  
UNI EN ISO 9001: Certificate No. 50 100 3634  
UNI EN ISO 14001: Certificate No. 50 100 12552  
UNI ISO 45001: Certificate No. 50 100 14960

# 50Hz

# Where there's **water** there's **Pentax**

**PENTAX s.p.a.**

Viale dell'Industria, 1

37040 Veronella (VR) - Italia

Tel. +39 0442 489500 - Fax +39 0442 489510

[www.pentax-pumps.it](http://www.pentax-pumps.it)

[com@pentax-pumps.it](mailto:com@pentax-pumps.it)

